

## WARNINGS

This appliance is not intended for use by young children or infirm persons without supervision. Young children should be supervised to ensure that they do not play with the appliance. Upon installation the appliance must be positioned so that the plug is accessible.

There should be adequate ventilation of the room when the rangehood is used at the same time as appliances burning gas or other fuels.

You must read the details concerning the method and frequency of cleaning. There is a fire risk if cleaning is not carried out in accordance with the instructions.

Exhaust air must not be discharged into an existing flue used for exhausting fumes from appliances burning gas or other fuels.

The recommended minimum distance between the hob surface and the lowest part of the rangehood is 29.5" (750mm).

Attention should be given to ensure that any applicable regulations concerning the discharge of exhaust air is fulfilled.

If the supply cord of this equipment is damaged, it must only be replaced by the manufacturer or its service agent, or a similarly qualified person in order to avoid a hazard.

**WARNING - TO REDUCE THE RISK OF FIRE, USE ONLY METAL DUCTWORK.**

## OPERATION INSTRUCTIONS

### CONTROL PANEL



Fan On/Off



Mid Speed



High Speed



Delay Switch



Light On/Off

Delay switch - Fan will remain on at low, mid or high speed for 5 minutes before switching off automatically.

### CLEANING INSTRUCTIONS

Care and attention should always be taken when cooking with oils, alcohol, etc, which give off flammable vapours. Pre-used oil is especially dangerous in this respect. Do not use an uncovered electrical grill. Particular care must be taken with grease filters which must be periodically cleaned, at least every two months. Remove the grease filters and wash them either by hand or in the dishwasher using mild detergent. Use lukewarm water and mild detergent to clean stainless steel components. In high humidity and coastal environments, cleaning should be carried out frequently. **CAUTION:** Never use abrasive or oil based liquid cleaners.

**Fisher & Paykel**

Fisher & Paykel Appliances, Inc.  
27 Hubble, Irvine, CA 92618  
Toll Free 1-888-9-FNP-USA (1-888-9-367-872)

MANUFACTURED FOR  
**Fisher & Paykel**

BY:  
**ROBINHOOD LIMITED**  
6 ZELANIAN DRIVE, EAST TAMAKI  
AUCKLAND, NEW ZEALAND

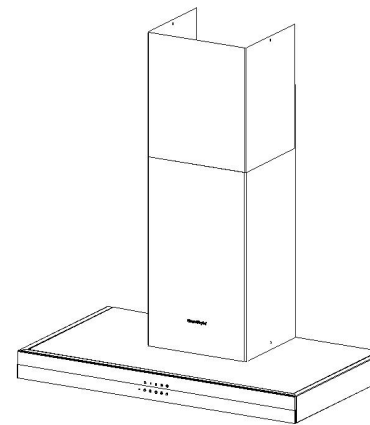
Electrical Rating:  
120V 60Hz 285W 3,5A

400030\_A

# Fisher & Paykel

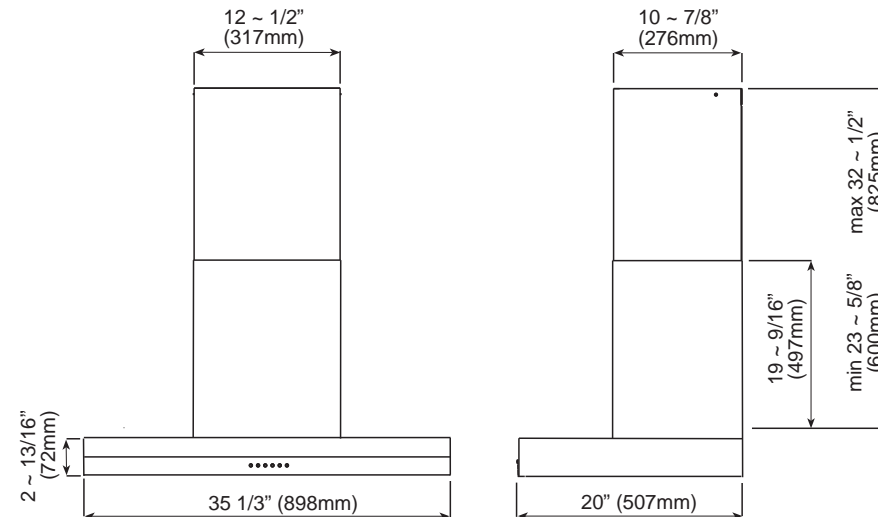
READ AND SAVE THESE INSTRUCTIONS

## Designer Canopy 88507 HC36DXB1



**READ ENTIRE INSTRUCTIONS  
BEFORE INSTALLATION.**

## PRODUCT DIMENSIONS



## PRE-INSTALLATION INSTRUCTIONS

Thank you for purchasing a quality stainless steel canopy rangehood. We have a high standard of quality control and each rangehood is tested and approved before it leaves the factory.

Installation work and electrical wiring must be done by qualified person(s) in accordance with all applicable codes and standards, including fire-rated construction. When cutting or drilling into wall or ceiling, do not damage electrical wiring and other hidden utilities.

Use this unit only in the manner intended by the manufacturer. If you have any questions, contact the manufacturer.

The canopy is heavy: overall weight 50.6 lbs (23kg). Please ensure adequate care when installing the canopy to prevent personal injury. The canopy must be installed onto a solid wall or solid studs.

## WARNINGS

**WARNING - TO REDUCE THE RISK OF FIRE, USE ONLY METAL DUCTWORK.**

### WARNING - GROUNDING INSTRUCTIONS

This appliance must be grounded. In the event of an electrical short circuit, grounding reduces the risk of electrical shock by providing an escape wire for the electric current. This appliance is equipped with a cord having a grounding wire with a grounding plug. To provide protection against electric shock the plug must only be plugged into an outlet that is properly installed and grounded.

**WARNING - Improper grounding can result in a risk of electric shock.**

Appliance to be connected to a 15/20A circuit breaker.

Consult a qualified electrician if the grounding instructions are not completely understood, or if doubt exists as to whether the appliance is properly grounded.

Do not use an extension cord. If the power supply cord is too short, have a qualified electrician install an outlet near the appliance.

**CAUTION:** To reduce the risk of fire and to properly exhaust air, be sure to duct air outside - Do not vent exhaust air into spaces within walls or ceilings or into attics, crawl spaces or garages.

**CAUTION:** For General Ventilating Use Only. Do Not Use To Exhaust Hazardous Or Explosive Materials And Vapours.

**CAUTION:** To Reduce The Risk Of Fire Or Electric Shock, Install This Rangehood Only With Integral Blowers Manufactured By Robinhood, Model 104612.

**WARNING:** To Reduce The Risk Of Fire Or Electric Shock, Do Not Use This Fan With Any Solid-State Speed Control Device.

### WARNING - TO REDUCE THE RISK OF A RANGE TOP GREASE FIRE:

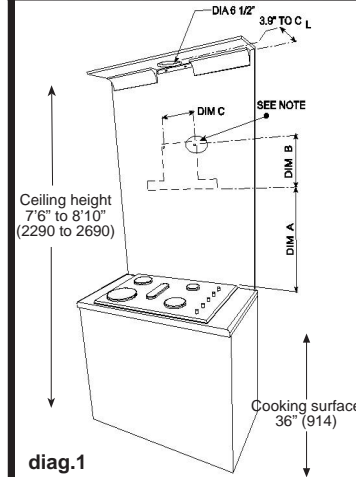
- Never have surface units unattended at high settings. Boilovers cause smoking and greasy spillovers that may ignite. Heat oils slowly on low or medium settings.
- Always turn hood ON when cooking at high heat or when flambéing food (ie crepes suzette, cherries jubilee, peppercorn beef flambé etc).
- Clean ventilating fans frequently. Grease should not be allowed to accumulate on fan or filters.
- Use proper pan size. Always use cookware appropriate for the size of the surface element.

**WARNING - TO REDUCE THE RISK OF INJURY TO THE PERSONS IN THE EVENT OF A RANGE TOP GREASE FIRE, OBSERVE THE FOLLOWING\*:**

- SMOTHER FLAMES** with a close-fitting lid, cookie sheet, or metal tray and then turn off the burner
- BE CAREFUL TO PREVENT BURNS.** If the flames do not go out immediately, **EVACUATE AND CALL THE FIRE DEPARTMENT.**
- NEVER PICK UP A FLAMING PAN** - you may be burned.
- DO NOT USE WATER**, including wet dishcloths or towels - a violent steam explosion will result.
- Use an extinguisher **ONLY** if:
  - You know you have a Class ABC extinguisher and you already know how to operate it.
  - The fire is small and contained in the area where it started.
  - The fire department is being called.
  - You can fight the fire with your back to an exit.

\* Based on "Kitchen Firesafety Tips" published by NFPA.

## INSTALLATION INSTRUCTIONS



diag.1

**NOTE:** Stainless steel is very easily damaged during installation if abraded or knocked by tools.

Warning - Remove transport tape from the lights and the filters before use.

Read the instructions before starting the assembly. Remove the filters to allow access to wall mounting holes.

The unit is designed for ceilings 7' 6" to 8' 10" (2290 to 2690mm) high. The chimney is telescopic and is designed to adjust between 23-5/8" and 32-1/2" (600 to 825mm).

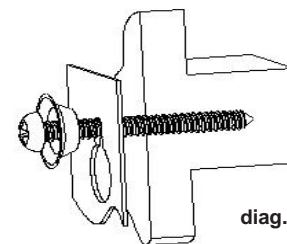
Ascertain the desired installation height of the canopy.  
**NOTE:** Minimum installation height 29.5" (750mm).

**RECIRCULATION:** For recirculation, do not cut 6.5" (165mm) hole into the wall/ceiling and purchase the charcoal filters and recirculation kit 1744. The recirculation kit must be used to channel the air to the top of the flue. For other accessories, parts and service, please contact your local supplier or approved service agent.

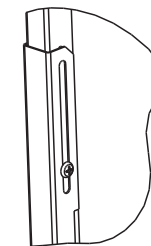
**DUCTING:** Ducting accessories are not supplied. For ducting it is recommended you use 6" (150mm) diameter rigid / semi rigid ducting. This will require a 6.5" (165mm) hole in the ceiling/wall.

**NOTE:** Fixing to a stud is recommended.

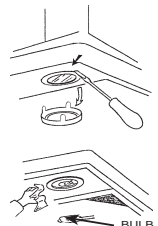
- Pre drill pilot hole 1/8" (3mm) diameter at dimensions C and B. B=9" (225mm) and C=10.25" (260mm).
- Loosely fix the 12 x 2" screws and 2 x cup washers in position, check with a spirit level across the screws to ensure they are level.
- Mark the position of the decorative chimney at the ceiling and wall. Cut the cornice moulding away as required, to enable the chimney to fit flush against the wall and ceiling.
- Mark and cut out the hole in the ceiling/wall to fit the ducting (6.5" (165mm) dia.). This is positioned centrally above the canopy hood and 3.9" (100mm) from the wall (for ceiling option).
- Using the screws supplied, fix the chimney bracket to the wall/ceiling, checking that it is centrally located above the canopy.
- Remove the protective plastic covering from all parts including the filters. Fit the canopy hood on the mounting screws, tighten screws (diag.2).
- Connect to the power supply and switch on the power to the canopy hood. Check the function of the canopy hood. Connect and secure the ducting (use duct tape if required).
- Assemble the chimney pieces to a height that best suits the installation, leave these screws loose so that the chimney is free to extend by a few mm (diag.3). Place the two pieces onto the canopy top and secure the lower part to the canopy sides. Extend the upper chimney to the ceiling and secure in place with two screws supplied.



diag.2



diag.3



diag.4

### LIGHT REPLACEMENT (See diag. 4)

Disconnect the power to the rangehood. Using a small bladed screwdriver prise off the light cover. If the bulb is hot use a cloth to remove the bulb. Replace with a new bulb using a cloth. Do not touch the new bulb with your fingers as the grease from your fingers will crack the bulb when it is switched on. "Snap" the cover back in place. A halogen bulb 12Volt/20Watt is required.

For other accessories, parts or service, please contact your local supplier (Refer to the Warranty Certificate).