



THE PROFESSIONAL RGT SERIES GAS RANGE

Use and Care Guide



MODELS:

RGT-305	RGT-484GG
RGT-366	RGT-485GD
RGT-364GL	RGT-486GL
RGT-364GD	RGT-486GD



A MESSAGE TO OUR CUSTOMERS

Thank you for selecting this DCS Professional Gas Range. Because of this appliance's unique features we have developed this Use and Care Guide. It contains valuable information on how to properly operate and maintain your new appliance for years of safe and enjoyable cooking.

To help serve you better, please fill out and submit your Product Registration by visiting our website at www.dcsappliances.com and selecting "Customer Care" on the home page and then select "Product Registration". In addition, keep this guide handy, as it will help answer questions that may arise as you use your new appliance.

For your convenience, product questions can be answered by a DCS Customer Care Representative by phone: 1-888-936-7872, or email: customer.care@fisherpaykel.com.

NOTE: Please write the Model and Serial Number on this page for references (located on rating plate on the back panel and also on the front frame, right lower corner between the kick panel and the oven door).

MODEL NUMBER _____ SERIAL NUMBER _____

NOTE: Inspect the product to verify that there is no shipping damage. If any damage is detected, call the shipper and initiate a damage claim. DCS by Fisher & Paykel is not responsible for shipping damage.

DO NOT discard any packing material (box, pallet, straps) until the unit has been inspected.

WARNING!

Improper installation, adjustment, alteration, service or maintenance can cause property damage, injury or death. Read the installation, operating and maintenance instructions thoroughly before installing, using or servicing this equipment.

WARNING!

If the information in this manual is not followed exactly, a fire or explosion may result causing property damage, personal injury or death.

Do not store or use gasoline or other flammable vapors and liquids in the vicinity of this or any other appliance.

DANGER

If You Smell Gas:

1. Do not try to light any appliance.
2. Do not touch any electrical switch; do not use any phone in your building.
3. Immediately call your gas supplier from a neighbor's phone. Follow the gas supplier's instructions.
4. If you cannot reach your gas supplier, call the fire department.
5. Installation and service must be performed by a qualified installer, service agency or the gas supplier.

WARNING!

To reduce the risk of injury to persons in the event of a cooktop grease fire, observe the following: Turn burner off first. Smother flames with a close-fitting lid, cookie sheet, metal tray, baking soda or use a dry chemical or foam-type fire extinguisher. Be careful to prevent burns. If the flames do not go out immediately evacuate and call the fire department. Never pick up a flaming pan - You may be burned. DO NOT USE WATER ON GREASE FIRES, including wet dishcloths or towels - a violent steam explosion will result. Use an extinguisher ONLY if:

1. You know you have a Class ABC extinguisher, and you already know how to operate it.
2. The fire is small and contained in the area where it started.
3. The fire department is being called.
4. You can fight the fire with your back to an exit.

PLEASE RETAIN THIS MANUAL FOR FUTURE REFERENCE.

TABLE OF CONTENTS

SAFETY PRACTICES	3-5
MODEL IDENTIFICATION	6
BEFORE USING YOUR APPLIANCE	7-8
COOKTOP USE	
Burner Use	9
Electronic Igniters	10
Burner Efficiency and Flame Characteristics	10
Cooktop Burners	10
Burner Grates	11
Wok Ring (Purchase Separately)	11
GRILL USE	12-13
GRIDDLE USE	13-14
OVEN USE	
Convection Baking	15-16
Traditional Baking	17-18
Broiling	18-19
Slow Cooking / Low Temperature Cooking	19
High Altitude Baking	19
Internal Cooking Temperatures	20
Suggested Temperatures to Keep Food Hot	21
CARE AND MAINTENANCE	
Cleaning Range or Cooktop, Burners Grates and Oven	22
Burners and Igniters	23
Drip Trays and Drain Tubes, Griddle, Grill, Control Knobs	24
Backguard, Oven Door Removal and Installation	25
Oven Racks, Frame, Sides, Door Exterior, Heat Deflector, Door Gasket,	26
Oven Light Bulb Replacement	26
Power Failure	26
PARTS IDENTIFICATION	27-28
TROUBLESHOOTING	29
HOW TO OBTAIN SERVICE	30
WARRANTY	31-32

SAFETY PRACTICES AND PRECAUTIONS

When properly cared for, your new DCS Appliance is designed to be a safe, reliable cooking appliance. When using this restaurant caliber appliance, use it with extreme care, as this type of appliance provides intense heat which can increase the accident potential. Basic safety precautions must be followed when using kitchen appliances, including the following:

- Read this Use and Care Manual thoroughly before using your new appliance. This will help to reduce the risk of fire, electric shock, or injury to persons.
- Begin by insuring proper installation and servicing. Follow the installation instructions which came with this appliance. Be sure to have a qualified technician install and ground this appliance before using.
- Have the installer show you where the gas supply shut-off valve is located so you will know how and where to turn off the gas to the appliance.
- If you smell gas, the installer may not have done a proper job of checking for leaks. You can have a small leak and therefore a faint gas smell if the connections are not completely tight. Finding a gas leak is not a “do-it-yourself” procedure. Some leaks can only be found with the burner control in the ON position; for your protection it must be done by a qualified service technician.
- If by some chance a burner goes out and gas escapes, open a window or a door to let the room air out. Do not attempt to use the appliance or turn any electrical switch on or off until the gas has had time to dissipate. Follow the instructions on page 1, “For Your Safety– if You Smell Gas”.
- This appliance has been factory assembled for natural or LP gas. It should be correctly adjusted from the factory.
- Do not repair or replace any part of this appliance unless it is specifically recommended in this manual. All other servicing should be referred to a qualified technician.
- Children should not be left alone or unattended in an area where appliances are in use. They should never be allowed to turn knobs, push buttons, sit or stand on, and/or touch any part of an appliance while in operation.
- Children in walkers, or children crawling can be attracted to the round oven door handle and may grab and open the oven door. This can result in injury from the door being pulled open on a child, or severe burns if the oven is in use and hot.



WARNING!

Do not store items of interest to children above or at the back of any appliance. Children could be seriously injured if they should climb onto the appliance to reach these items.

- Never store anything in the oven or on the cooktop. Flammable materials can catch fire, plastic items may melt or ignite and other types of items could be ruined.
- Do not hang articles from any part of the appliance or place anything against the oven. Some fabrics are quite flammable and may catch on fire.
- If the appliance is near a window be certain the curtains do not blow over or near the cooktop burners; they could catch on fire.
- Do not use water on grease fires. Turn all burners OFF, then smother fire with a metal lid, baking soda or use a dry chemical or foam-type fire extinguisher.
- Never let clothing, pot holders, or other flammable materials come in contact with, or get too close to, any burner or burner grate until it has cooled. Fabric may ignite and result in personal injury.
- Be certain to use only dry pot holders: moist or damp pot holders on hot surfaces may cause burns from steam. Do not use a towel or other bulky or frayed cloth in place of pot holders. Do not let pot holders touch hot burners, or burner grates.
- For personal safety, wear proper apparel. Loose fitting garments or hanging sleeves should never be worn while using this appliance. Some synthetic fabrics are highly flammable and should not be worn while cooking.

SAFETY PRACTICE AND PRECAUTIONS

- Do not use aluminum foil to line any part of the oven or cooktop. This will cause heat to be trapped underneath it. This trapped heat can upset the cooking performance and can damage the finish of the oven or the cooktop parts.



WARNING! NEVER cover any slots, holes or passages in the oven bottom or cover an entire rack with materials such as aluminum foil. Doing so blocks airflow through the oven and may cause carbon monoxide poisoning. Aluminum foil linings may also trap heat, causing a fire hazard.

- This appliance is for cooking. Never use the oven or cooktop to warm or heat a room. This could damage the cooktop or oven parts.



WARNING! NEVER use this appliance as a space heater to heat or warm the room. Doing so may result in carbon monoxide poisoning and overheating of the oven.

- When using the cooktop: Do not touch the burner grates or the immediate surrounding area. Areas adjacent to the burners may become hot enough to cause burns.
- When using the oven: Do not touch the interior surfaces of the oven, the exterior area immediately surrounding the door or the back trim. The drip tray handles directly above the oven door may be hot if the oven has been operated with the door open, or if something has prevented the door from sealing. Always use caution when pulling out the drip trays (GD & GL models only) when the oven has been on, or is currently on. The drip trays get hot when the oven is on. Do not remove drip trays until they are cool.
- Never leave the cooktop unattended when using high flame settings. When cooking with high flame settings, boil overs may cause smoking and greasy spill overs may ignite. More importantly, if the burner flames are smothered by a severe boil over which effects the igniter, unburned gas will escape into the room.
- Only certain types of glass, heat-proof glass-ceramic, ceramic, earthen ware, or other glazed utensils are suitable for cooktop use. This type of utensil may break with sudden temperature changes. Use only on low or medium flames settings according to the manufacturer's directions. The use of professional utensils is recommended.
- Do not heat sealed food containers; a build up of pressure may cause the container to burst.
- During cooking, set the burner control so that the flame heats only the bottom of the pan and does not extend beyond the bottom of the pan. This could heat and/or melt the handles, and may increase cooking time.
- Always use utensils that have flat bottoms large enough to cover the burner. The use of undersized utensils will expose a portion of the flame to direct contact and may result in ignition of clothing.
- To minimize burns, ignition of flammable materials and unintentional spill overs, position handles of utensils inward so they do not extend over adjacent work areas, cooking areas, or the edge of the cooktop.
- Hold the handle of the pan to prevent movement of the pan when stirring or turning food.
- Grease is flammable. Let hot grease cool before attempting to handle it. Avoid letting grease deposits collect around the cooktop burners. Clean after each use or boil over.
- For proper lighting and performance of the cooktop burners, keep the burner ports clean. It may be necessary to clean these when there is a boil spill or when the burner does not light, even though the electronic igniters click.
- Do not use the grill for cooking excessively fatty meats or products which promote flare-ups. Do not use cooking utensils on the grill.
- Clean the cooktop with caution. Avoid steam burns; do not use a wet sponge or cloth to clean the cooktop while it is hot. Some cleaners produce noxious fumes if applied to a hot surface. Follow directions provided by the cleaner manufacturer.

SAFETY PRACTICES AND PRECAUTIONS

- Be sure all the range and/or cooktop controls are turned off and the appliance is cool before using any type of aerosol cleaner on or around the appliance. The chemical that produces the spraying action could, in the presence of heat, ignite or cause metal parts to corrode.
- Place oven racks in desired position while the oven is cool. If a rack must be moved while the oven is hot, do not let the pot holders contact the hot interior lining of the oven.
- Use care when opening the oven door; let hot air or steam escape before removing or replacing foods.
- Do not rub, damage, move or remove the door gasket. It is essential for a good seal during baking. Wash the gasket with hot water only.
- Clean the ventilator hood and filters above the range or cooktop frequently so grease from cooking vapors does not accumulate on them. The filter can be cleaned in a dishwasher or DishDrawer. Follow directions provided by ventilation manufacturer for cleaning.
- Turn the ventilator "OFF" in case of fire or when intentionally "flaming" liquor or other spirits on the cooktop. The blower, if in operation, could unsafely spread the flames.
- DO NOT obstruct the flow of combustion or ventilation air to the appliance. Be sure a fresh air supply is available.
- For safety reasons and to avoid damage to the appliance, never sit, stand, or lean on the oven door or cooking surface.
- Service should only be done by authorized technicians. Technicians must disconnect the power supply before servicing this appliance.

WARNING!

California Proposition 65 - The burning of gas cooking fuel generates some by-products which are known by the State of California to cause cancer or reproductive harm. California law requires businesses to warn customers of potential exposure to such substances. To minimize exposure to these substances, always operate this unit according to the instructions contained in this booklet and provide good ventilation to the room when cooking with gas.

RECOMMENDATIONS ON HOOK-UP TO GAS SUPPLY:

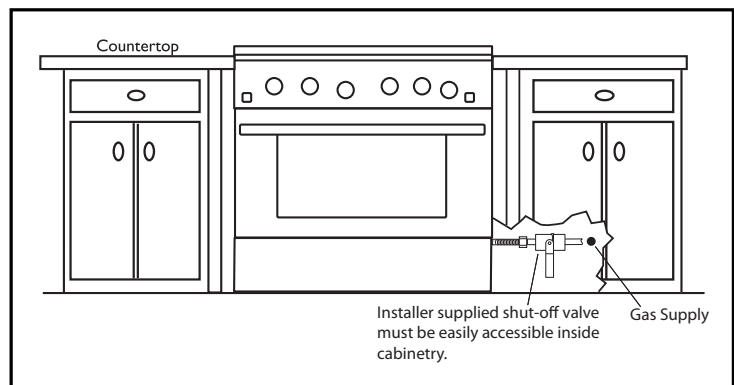
A manual valve must be installed external to the appliance, in an accessible location from the front for the purpose of shutting off the gas supply. The supply line must not protrude beyond the back of the unit. Make sure the gas supply is turned off at the wall valve before connecting the appliance.

The gas supply connections should be made by a qualified technician and in accordance with local codes or ordinances. In the absence of a local code, the installation must conform to the latest edition of the National Fuel Gas Code ANSI Z223.1.

NOTE:

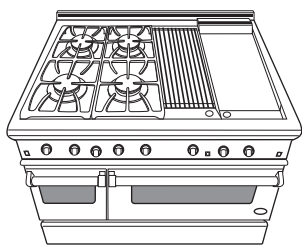
This product must be installed by a licensed plumber or gas fitter when installed within the Commonwealth of Massachusetts.

NOTE: (mandatory for the State of Massachusetts)
Alternate method of supplying gas must be installed into the unit.

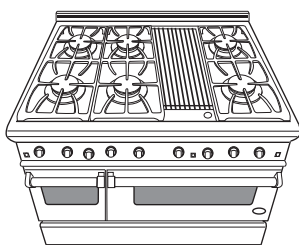


MODEL IDENTIFICATION

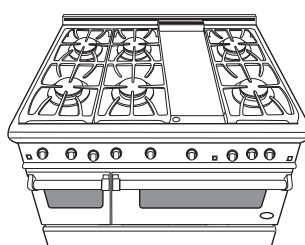
48" RGT RANGE MODELS



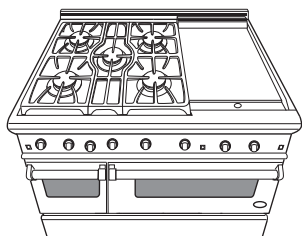
RGT-484GG



RGT-486GL

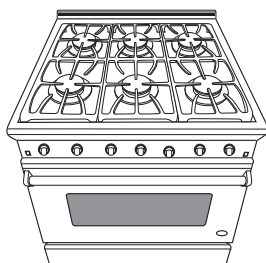


RGT-486GD

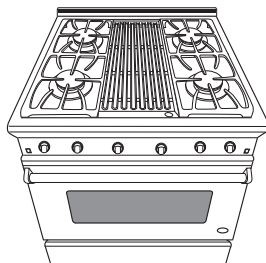


RGT-485GD

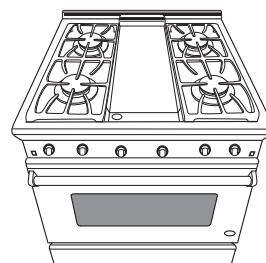
36" RGT RANGE MODELS



RGT-366

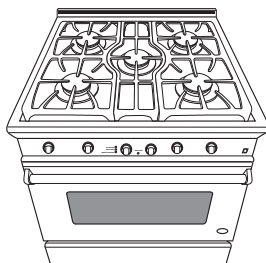


RGT-364GL



RGT-364GD

30" RGT RANGE MODELS



RGT-305

BEFORE USING YOUR APPLIANCE

1. Remove all packaging materials and labels from your appliance. If the installer has not set up your appliance, do it now. Check that you have the following items:

COOKTOP

- Griddle cover - (RGT-364GD, RGT-486GD, RGT-485GD, and RGT-484GG models only)
- Grill cover - (RGT-364GL, RGT-484GG, and RGT-486GL)
- Grill grates, 2 pieces - (RGT-364GL, RGT-486GL & RGT-484GG models only)
- Burner head assemblies, burner caps and grates (5 burner heads on RGT-305 and RGT-485GD models only, 4 burner heads on RGT-364 and RGT-484, 6 on RGT-486GD, RGT-486GL and RGT-366)
- Radiant tray - to hold ceramic rods for grill - (RGT-364GL, RGT-486GL & RGT-484GG models only)
- One removable drip tray (griddle and grill models only have drip tray liners, for catching grease)

24" & 27" OVEN:

- One two-piece broil pan
- Three oven racks

12" OVEN:

- One two-piece broil pan
- Two removable side rails
- Two oven racks

NOTE:

If any of the listed accompanying items are missing, contact DCS at (888) 936-7872. Please be prepared with your Model #, Serial # and description of product you have purchased.

Regarding use of aluminum foil in a DCS Range Oven: Do not use aluminum foil to cover the oven racks or to line the oven. Heat can be trapped beneath the foil; this can cause damage to the oven and cause food to not cook correctly.

2. Place the oven racks in the proper position before turning on the oven. For correct rack position check your recipe. The most frequently used position is number 2 (the food product must be in the center of the oven for airflow). The rack positions are numbered from the bottom as in the floors of a building (Fig. 01).
3. Before baking or broiling:
One at a time, turn the oven and broiler burners "ON" for 20 to 30 minutes each. This burns off the manufacturing oils used by the factory. Turn the oven burner on to 450° F and the broiler burner on to "BROIL". Turn on the ventilator above your range while these burners are on, as there will be an odor.

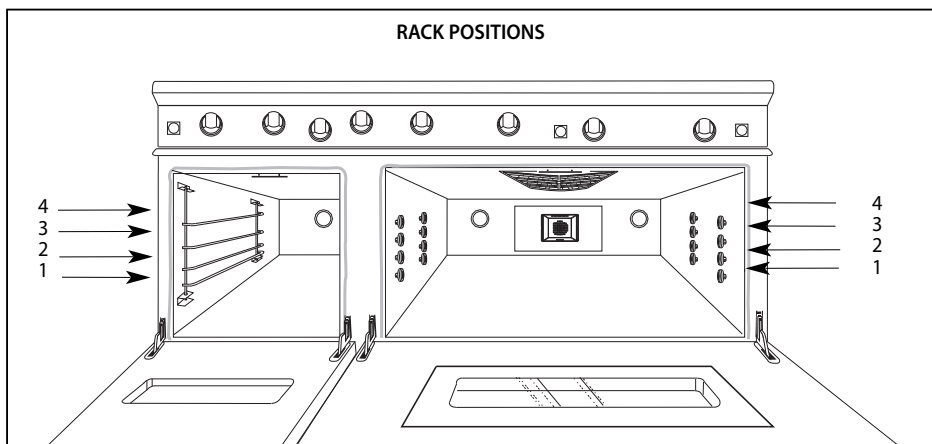


Fig. 01

BEFORE USING YOUR APPLIANCE

TO INSERT THE OVEN RACKS IN 12" OVEN:

1. Hold the rack with the back safety rail in the up position and towards the rear of the oven. Slip it into the oven so the rack slides are between the rack and the rack guides.
2. As you slide the rack into the oven, tip the front of the rack up slightly, so that the safety stops on the back of the rack, clear the rack slides (see Fig. 02). The safety stops keep the rack from sliding out of the oven when pulled forward.

TO INSERT THE OVEN RACKS IN 24" AND 27" OVEN:

1. Hold the rack with the back safety stop in the up position and towards the rear of the oven. Slip it into the oven so the rack rails engage and ride on the rack rollers.
2. As you slide the rack into the oven, tip the rack up slightly (see Fig. 03), so that the safety stops on the back of the rack slide over the rollers in the oven. The safety stops keep the rack from sliding out of the oven when pulled forward.

TO REMOVE OR REPOSITION THE RACKS:

1. Pull the rack forward.
2. Lift the front of the rack up so the safety stops clear the rack slides/rollers.
3. Pull the rack forward.

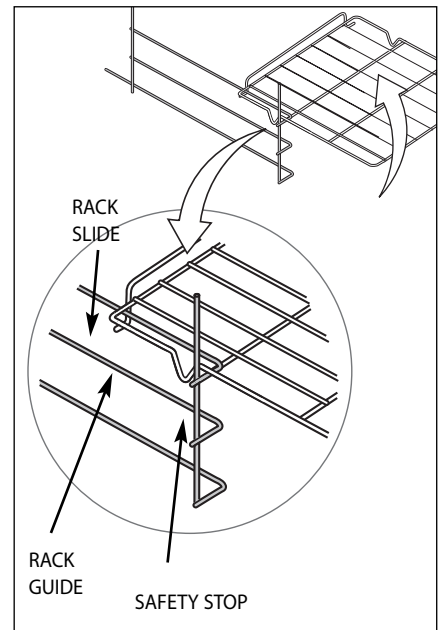


Fig. 02

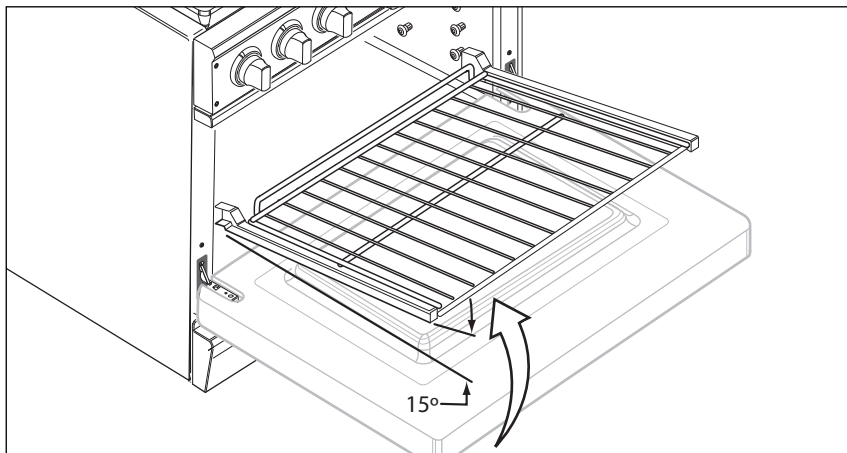


Fig. 03

COOKTOP USE

BURNERS

Your new professional gas range is equipped with burners typical of those used in restaurants. These burners are designed for maximum cleanability and controllability. The large cap spreads the simmer heat out to avoid too much heat being concentrated on the center of the pan. The simmer flame is always “on” when the burner is in use. The burner should never be operated if the cap is not in place. All the cooktop burners have electronic spark ignition to eliminate continuously burning pilots; when the burner is on and the flame is blown out, it will relight.

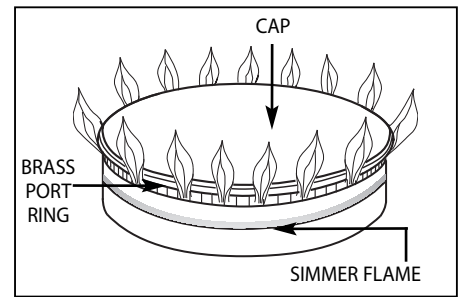
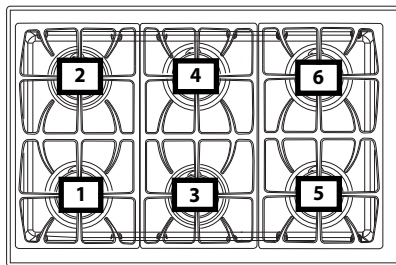


Fig. 04

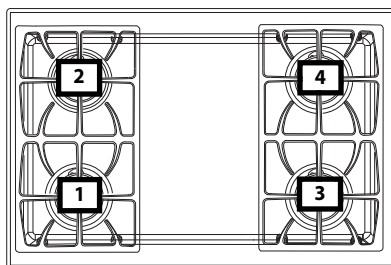
SIMMERING

Your new professional cooktop has exceptionally low simmering capabilities. The large cap serves as a heat diffuser to spread out the heat to avoid having a center hotspot. Keep in mind that because of the high heat capacity of the retention flame, and the mass of the cast iron burner grates (they retain heat longer than lighter, conventional grates) some foods may continue to cook by retained heat after the burner has been turned off. Should a strong draft or boil over extinguish the simmer flame it will relight automatically as the main burner would.

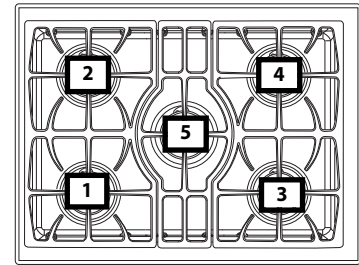
Burner Location	Max. Btu/hr		Simmer/Low Btu/hr	
	Nat	LP	Nat	LP
1	17,500	15,000	500-1,200	500-1,200
2	12,500	12,500	500-1,200	500-1,200
3	12,500	12,500	500-1,200	500-1,200
4	17,500	15,000	500-1,200	500-1,200
5	17,500	15,000	500-1,200	500-1,200
6	17,500	15,000	500-1,200	500-1,200



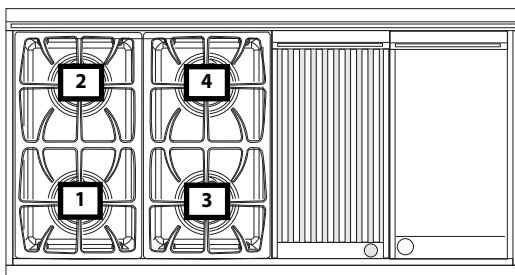
RGT-366 COOKTOP SECTION SHOWN



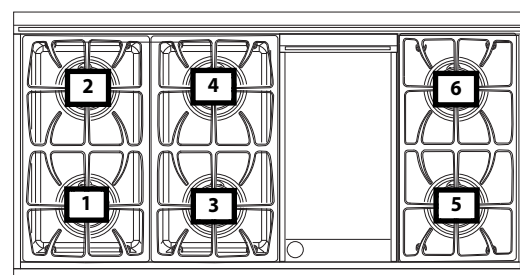
RGT-364 COOKTOP SECTION SHOWN



RGT-305 & 485 COOKTOP SECTION SHOWN



RGT-484 COOKTOP SECTION SHOWN



RGT-486 COOKTOP SECTION SHOWN

COOKTOP USE

ELECTRONIC IGNITERS

If a burner does not ignite, listen for the clicking sound. If the igniter is not clicking, TURN OFF THE BURNER. Check the circuit breaker for a blown fuse or a tripped circuit breaker. If the igniter still fails to operate, see page 30, "Before Calling For Service". To light the burner manually, see page 26, "Power Failure".

NOTE:

If you are using propane gas, a slight pop or flash may occur at the burner ports a few seconds after the burner has been turned "off". This "extinction pop" is normal for propane gas.

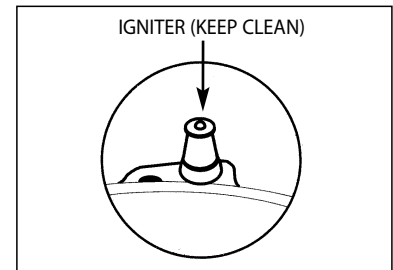


Fig. 05

BURNER EFFICIENCY AND FLAME CHARACTERISTICS

It is necessary to keep the burner ports and the igniters clean for proper lighting and efficient performance of the cooktop burners (Fig. 05). The burner flame should burn completely around the burner with no excessive noise or lifting. The flame should be blue in color and stable with no yellow tips. An improper air-gas mixture may cause either a burner flutter or a yellow tipped flame. During initial use, foreign particles in the gas line, or dust in the air around the appliance may cause an orange flame. This will disappear with use.

FLAME HEIGHT

The correct height of the flame mainly depends on the size of the bottom of the cooking utensil, the material of the cooking utensil, the amount and type of food and the amount of liquid in the utensil. Following are some basic rules for selecting flame height.

- For safety reasons the flame must never extend beyond the bottom of the cooking utensil. Never allow flames to curl up the side of the pan (see Fig. 06). This will discolor or damage the utensil.
- Utensils which conduct heat slowly (such as glass-ceramic) should be used with medium to low flame. If you are cooking with a large amount of liquid, a slightly larger flame can be used.
- Broiler: The broiler flame should be approximately 1/8" thick and blue (Fig.07) . This is set at the factory for correct performance.

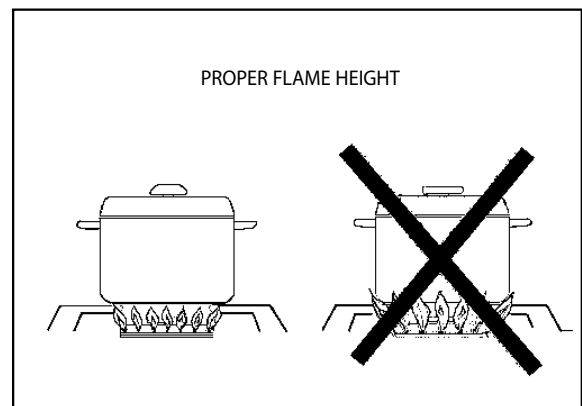


Fig. 06

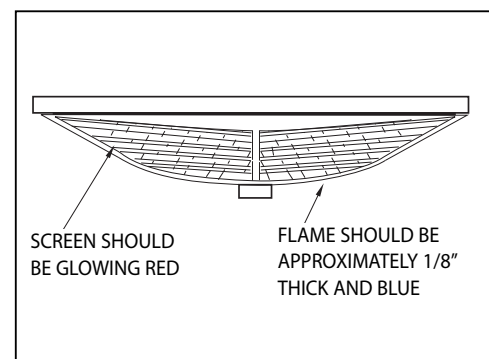


Fig. 07

COOKTOP BURNERS

The cooktop burners must be kept clean. Cleaning of the cooktop burners should include the igniter. The cooktop burners have an infinite number of heat settings and there are no fixed positions on the control knobs between HI and LO. To turn the cooktop burner on, push in on the control knob and turn it counterclockwise to the "LITE" position. An audible clicking sound will be heard. When the gas has been ignited by the electronic spark igniter, turn the knob to the desired setting. (The clicking sound should stop as soon as the burner is lit).

WARNING!

When turning on any cooktop burner, be sure to stop at the "LITE" position before turning the burner to a flame setting for cooking. If the burner is not lit and it is turned beyond the "LITE" position, to HI, MEDIUM, or LO, there could be a burst of flame when the burner does light.

COOKTOP USE

BURNER GRATES

The burner grates are heavy cast iron. They have a flat surface making it easy to move large pans from one burner to another. They were designed in sections to make them easier to remove and clean. (See Fig. 08 & 09)

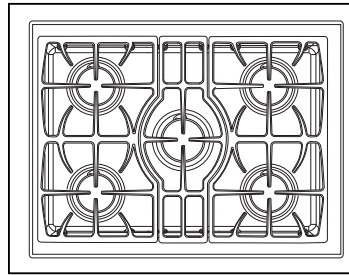


Fig. 08 (305 & 485 models)

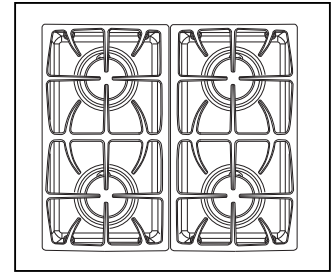


Fig. 09 (36" & 48" models)

COOKWARE

For best results we recommend using professional cookware. This type of utensil can be found at your finer department stores, specialty cooking shops, or restaurant supply stores. If using regular cookware, be very careful if the pans have plastic handles, as these large professional size burners can flame up on the outside of the pan and melt or bubble the handles.

CONTROL KNOBS

The control knobs are readily associated with the burners they control. The cooktop control knobs are labeled and are in front of the burners. The oven controller is placed slightly lower than the other control knobs. This is due to the physical size of the commercial type thermostats used on the product (see Fig. 10).

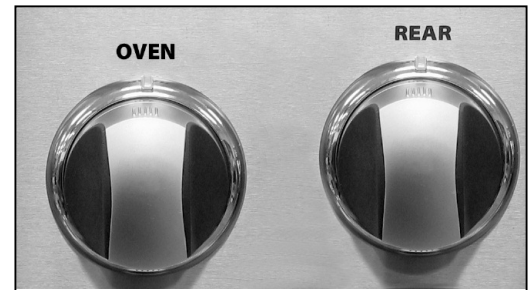


Fig. 10

WOK RING (Purchase separately)

A Wok ring is available as an accessory for your new DCS appliance. To purchase a wok ring accessory (model # WRS) for use on your range or cooktop please contact an authorized DCS Dealer. The ring is cast iron, and has a porcelain enamel finish. It can be used with the DCS model CW wok and most commercially available woks. To use the ring, place it on the grate over the desired burner. The vertical tabs on the ring should be aligned with the main fingers of the grate. The small protrusions on the bottom surface of the ring should straddle the grate fingers to prevent the ring from rotating during cooking. See Fig. 11. The bottom of the wok should be supported and retained by the vertical tabs of the ring.

For best performance on 305, 36" and 48" model ranges, the ring and wok should be used on the burners that are in positions 1,4,5,6 (see page 9) as they have the highest output on the top section. To clean the wok ring, place it in the dishwasher after use. Stubborn food deposits may be removed by soaking to loosen the soil, then washing as usual.

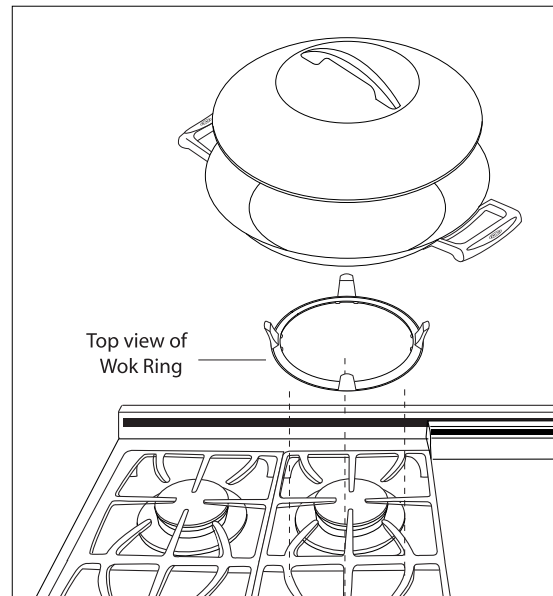


Fig. 11

GRILL USE

GRILL

The two grill grates are reversible (see Fig. 12). The grill grates are made of durable stainless steel. One side of the grate is ridged (side A) and should be used for foods where you want the fat to run off, such as steak or hamburger patties. The ridges are sloped so the fat runs toward the front of the grill and can easily run down to the cooler area of the drip tray and away from the intense heat of the burner. The other side of the grate (side B) is designed for foods that need more support while cooking, such as fish and vegetables. Food cooked on the grill section achieves the same flavor as food cooked on an outdoor grill. The intense radiant heat from the ceramic rods caramelizes the fats and juices that are brought to the surface of the food, giving it the barbecued flavor.

ELECTRIC GLOW IGNITER

The grill burners are equipped with an electric glow igniter and safety valve system which lights the gas. There will be a delay of 30 to 90 seconds after the control knob has been turned on to when you actually hear the burner come on. The burner will ignite within 4 seconds after the gas reaches the burner.

NOTE:

This gas grill may cook slightly faster than you are used to, thus preheat and grilling times should be adjusted accordingly.

CERAMIC RODS

The layer of ceramic rods, under the grill grates, will last for many years with proper care. They are shipped from the factory pre-assembled in the radiant tray, ready to be set in place into the fire box, under the grill grates. Be sure to remove any packaging material from the radiant tray and rods before using the grill.

Burned food particles and ash can be emptied off the radiant tray when cool by shaking over a waste receptacle. Chipping or cracking of the ceramic rods may occur as they may get brittle with age, depending on frequency of use. This is normal and does not affect the cooking performance. Do not replace the radiant tray/ceramic rods with alternates. Contact DCS for genuine factory-direct replacement parts, 1-888-936-7872 or see page 1 for contact information.

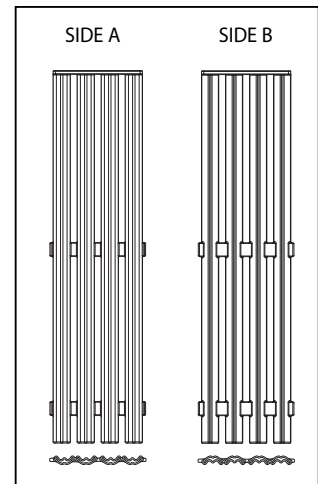


Fig. 12

USE OF THE GRILL

Before starting to cook on the grill, be sure the drip tray and liners are in place and that you have the grill grates turned to the side you want for grilling. Preheat the grill for 15 minutes with the control knob set on "HI". Place the food on the grill. Grill it to the doneness desired. The control knob may be set to any position between "HI" and "LO". For proper searing and browning, the grill requires high heat. With large pieces of meat or poultry, you may need to turn the heat to medium to low setting after the food has been seared. This lower heat setting will allow the food to cook through without burning the outside. When using a sugary marinade or barbecue sauce, it may be necessary to turn the heat setting down near the end of the grilling time. **Do not leave the grill unattended while it is turned on.** When you are finished grilling, allow the drip trays to cool before cleaning them. They should be cleaned each time they are used.

NOTE:

The longer you preheat the grill, the darker the grill marks will appear.

EXCESSIVE FLARE UPS AND FLAMING

Occasionally grease drippings ignite. These drippings will create minor puffs of flame for a second or two. This is normal when cooking on a grill. You may find it handy to have a spray bottle filled with water to lightly spray the flare-up. If the flame becomes excessive, remove the food from the grill. Lower the heat setting. Replace the food when the flare-up subsides. To prevent flare-ups from happening, trim the fat from around the edges of steaks and chops, use hamburger that is lean, remove the fat that is on poultry, etc. When turning any kind of meat or poultry, the melted fat will drop onto the ceramic rods and it may create a flare-up. If this happens, use a long handled spatula to move the food to another area.

GRILL USE

GRILLING HINTS

When grilling, the ventilation fan must be set on “HI” to remove smoke and odors. The fan can be turned to “LO” after cooking is complete to remove any leftover smoke.

The doneness of meat is affected by the thickness of the cut. It is impossible to cook a thin piece of meat to a rare doneness. A steak should be at least 1-inch thick to have it turn out rare and juicy. The cooking time is affected by the temperature of the meat when you start to cook it, the size and shape of the cut and the kind of meat you are cooking. The degree of doneness desired also affects the time.

When turning the meat over, always use a spatula or tongs as it will not puncture the meat allowing the juices to run out. This will help to keep the meat juicy. Turn the meat only once, as juices are lost when the meat is repeatedly turned. Be sure to trim any excess fat from meat or poultry. To prevent steaks or chops from curling while they are being cooked, slit the fat around the edges at about 2-inch intervals. To test for doneness, make a small cut in the center of the meat.

GRIDDLE USE

The built-in griddle on your cooktop is made from Type 304 stainless steel, highly polished to provide a smooth cooking surface. It is normal for it to darken with use as oils cook onto the surface to provide a stick resistant base or “seasoning”. Since the griddle is made from stainless steel, the surface will not rust. The griddle burner is thermostatically controlled and cycles on and off to maintain the set temperature. The HEATING light indicates that the burner is “ON”. The READY light indicates that the griddle is at the set temperature. The griddle assembly is not to be removed for cleaning and is held in place by two front screws and one rear screw. These are mainly there to keep the griddle from shifting in transit, thus avoiding breakage of any ignition components. Once the unit is installed, the rear shipping screw can be removed. It is located beneath the griddle flue cover which is removed by lifting off (be careful not to scratch your backguard during removal of the cover). Remove the center shipping screw. The two outer screws are leveling screws (Fig. 13). They can be turned to level the griddle or to provide a forward slope to help grease and oils drain away from the food being cooked. After using the griddle a few times, you will be able to judge the slope best for the foods you are cooking and your personal preference.

ELECTRIC GLOW IGNITER

The griddle burners are equipped with an electric glow igniter and safety valve system which lights the gas. There will be a delay of 30 to 90 seconds after the control knob has been turned on to when you actually hear the burner come on. The burner will ignite within 4 seconds after the gas reaches the burner.

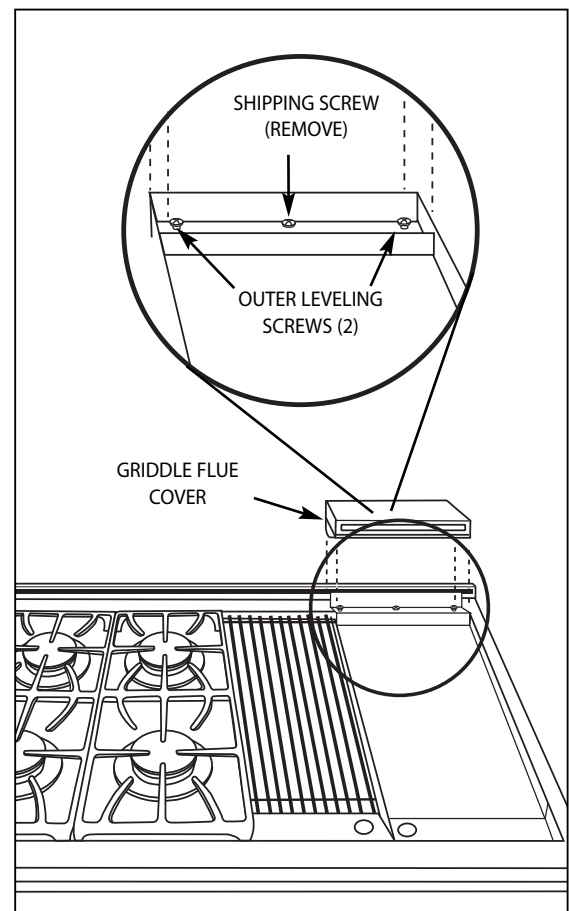


Fig. 13

GRIDDLE USE

BEFORE USING THE GRIDDLE FOR THE FIRST TIME OR TO RE-SEASON

1. Clean the griddle thoroughly with hot, soapy water to remove any protective coating.
2. Rinse with a mixture of 1 cup water and 1/4 cup white vinegar. Dry thoroughly.
3. Pour 1 teaspoon vegetable oil into the center of the griddle (do not use corn oil as it gets sticky). Rub the oil over the entire surface of the griddle using a heavy soft cloth.
4. Turn the control knob to a Medium setting (350°F). Turn the heat "OFF" when the oil begins to smoke. Allow the griddle to cool.
5. Repeat Step 3. Be sure to cover the entire surface with the oil.
6. Repeat Step 4. Allow the griddle to cool. Wipe the entire surface of the griddle using a heavy soft cloth. Apply a very thin layer of vegetable oil. The griddle is now ready to use. If the griddle is not used for a period of time, re-season it occasionally.

NOTE:

It is normal for the griddle to darken with use.

USE OF THE GRIDDLE

Before starting to cook on the griddle, be sure the drip tray and liners are in place. **Preheat griddle for 15 minutes** with the control knob set to the temperature suggested on the cooking chart. When the griddle is preheated, the HEATING light will turn "OFF" and the ready light will be "ON". Place the food on the griddle and cook to desired doneness.

NOTE:

When the griddle is properly seasoned it can be used without any additional oil. However, oil can be used for flavor. A light mist of non-stick vegetable spray, applied before cooking to a cool griddle, makes delicate foods easier to turn.

GRIDDLE COOKING CHART

FOOD	TEMPERATURE
Eggs	225°F to 250°F
Bacon, Ham, Pork Chops	300°F to 325°F
Sausage, Grilled Cheese Sandwiches	325°F to 350°F
Pancakes, French Toast	350°F to 375°F
Hash Brown Potatoes	400°F to 425°F

OVEN USE

OVEN BURNERS

Your new professional RGT range is equipped with bake and broil oven gas burners. The oven broiler burner is 19,000 Btu/hr on RGT models. The oven baking burner is 30,000 Btu/hr on 30/36/48" main oven, 18,000 Btu/hr on 12" oven.

ELECTRIC GLOW IGNITER

The oven bake and broil burners are equipped with an electric glow igniter and safety valve system which lights the gas. There will be a delay of 30 to 90 seconds after the control knob has been turned on before you actually hear the burner come on. The burner will ignite within 4 seconds after the gas reaches the burner.

OVEN

Your large new oven can be used in three cooking modes: convection bake, traditional bake or regular broil. To help you decide which way to cook your food, read this information first. Remember, this is a new oven and the thermostat has been checked for accuracy. Your old oven may have had a thermostat that over the years got a little hot or a little cold. Check your recipes for the correct time and temperature and don't use the old time or temperature you were using to compensate for your old oven being off temperature. Models RGT-484GG, RGT-486GL, RGT-485GD, and RGT-486GD have two ovens. The oven on the right side is the convection oven. The smaller oven, on the left side, can be used in standard bake only. This oven is ideal for baking small amounts of food, when you don't want to heat the large oven.

OVEN RACKS

All ovens have (3) oven racks and 4 rack positions, except the left side oven which on models RGT-484GG, RGT-485GD, RGT-486GL and RGT-486GD has 2 oven racks and 4 rack positions.

NOTE:

About the roller assisted rack supports (24" and 27" oven only):

Specifically engineered from high temperature materials for in oven use, they will stand up to years of use. They are especially functional when the oven racks are supporting the heavy food products associated with this high capacity oven. See page 26 for care of the rack supports. All three ovens come with a 2-pc. broil pan.

PREHEATING

Preheating takes about 10 to 15 minutes depending on the temperature set. Preheating is usually necessary for foods baked at high a temperature for a short period of time, i.e. drop cookies. The oven heating light will turn "OFF" and the ready light will turn "ON" when the oven has reached the set temperature.

CONDENSATION

During any cooking process there is a certain amount of moisture that evaporates from the food. The amount of moisture that condenses on the oven depends on the moisture content of the food. The moisture will condense on any surface that is cooler than the inside of the oven, such as the control panel or the top of the door.

CAUTION!

Aluminum foil should never be used to cover the oven racks or to line the oven bottom. The trapped heat can damage the porcelain and the heated air cannot adequately reach the food being baked.

CONVECTION BAKING

Convection Baking is baking with a fan at the back of the oven circulating the hot air in a continuous pattern around the food. This circulating hot air heats and browns the surface of the food more effectively than in a standard mode. This allows most foods to be cooked at lower oven temperatures or in less time, if baked at the regular temperature. The air is recirculated and reheated. Uncovered, longer cooking foods such as large pieces of meat or other foods that can be cooked in low sided baking utensils or air leavened foods, are where you will see the most savings in cooking time. Using multiple racks (3) at the same time will achieve a good time saving, as you can cook more food at the same time. The number of recipes requiring preheating of the oven is reduced considerably because the heat reaches the food faster as the hot air circulates around the food.

OVEN USE

Foods Suitable for Convection

- Appetizers
- Breads
- Oven Meals (1 to 3 racks)
- Cookies
- Main Dishes
- Roasts
- Pies
- Poultry
- Air Leavened Foods (Angel Food Cake, soufflés, cream puffs, meringue shells)

Setting the Oven

The Convection Bake mode is used for baking, roasting or warming using one, two or three racks. To use Convection Bake, push the Convection Switch (located on the control panel) and turn the control knob to the temperature desired. Models RGT-484GG, RGT-485GD, RGT-486GL and RGT-486GD have two ovens. The oven on the left side can be used for traditional bake only; simply turn the control knob to the temperature desired.

Converting Recipes for Convection Baking

Low-sided baking utensils will give the best results as the hot air can reach all sides of the food easier. The oven temperature can be left the same as the recipe calls for and the food will be cooked in a shorter period of time. The temperature can be lowered 25°F and the food will probably take the same length of time to cook as the recipe states. If you find that food is adequately browned on the outside, but not done in the center, lower the temperature another 25°F and add to the baking time. When reducing the temperature, always check the food for doneness a minute to two before the minimum time stated in the recipe, as time can always be added. Some recipes will cook faster than others. There is no way to predict exactly how long each recipe will take when you convert it to convection. Convection will be easier to use after you have used it a few times as you will begin to understand the way it bakes.

Selecting Utensils for Convection Baking

Cooking by convection does not require any specially designed baking utensils. You probably have many utensils in your kitchen that are suitable to use. When choosing a baking utensil, consider the material, the size and the shape as they all affect the baking time, the palatability and the appearance of the finished product. Metal bakeware (aluminum, steel and cast iron) all result in the fastest cooking time and the best end product.

Aluminum pans work best for all types of baked goods. When baking pies and breads for the best browning, use a pan with a dark or dull finish that absorbs heat. A shiny finish works best for cakes and cookies, since it reflects some of the heat and provides a more tender surface. Cookie sheets with only one lip will give the best results, as the heated air can circulate all around the sides of the food. For roasting, use the bottom of the broil pan and elevate the meat on a metal roasting rack. Glass-ceramic or glass utensils do not conduct heat as well as metal, but they can be used. Use them for foods that do not require a dark brown crust or crisping, such as soufflés.

Baked items cook more quickly and evenly if they are individually smaller in size, i.e. two or three small foods do better than one large piece. When single food items are baked, always center the food on the rack. If several foods are being baked, space them evenly on the rack or racks.

To Get the Best Results

- Follow the recommendations above.
- Metal utensils give better results in convection than do glass baking utensils. If you use glass, it usually is not necessary to lower the temperature an additional 25°F.
- Use a minute timer and set for less than the minimum time suggested in the recipe, the first time you use a recipe in the convection mode. Be sure to note the new baking time on your recipe for future reference.
- Be sure to read the basic information on convection before using the oven for the first time (see page 15).
- Keep in mind that convection baking results vary, depending on type of product. In many cases, standard bake yields superior results over convection.

Convection Baking Rack Position

One to three racks can be used simultaneously during Convection Baking. Place the rack/s in the desired position before turning the oven on. Store the unused racks outside of the oven. Rack position 2 (second from bottom) will probably be used the most for single rack baking. When baking on more than one rack, you do not need to stagger the pans. However, allow at least 1-inch of space between the oven walls and the pans so the heated air can circulate.

OVEN USE

CAUTION!

Aluminum foil should never be used to cover the oven racks or to line the oven bottom. The trapped heat can damage the porcelain and the heated air cannot adequately reach the food being baked.

TRADITIONAL BAKING

Traditional Bake is used for baking, roasting or warming with hot air; there is no fan. The air movement comes from natural convection. As the air heats, it moves to the top of the oven. This oven mode is the same as you have been using for baking on one or two racks.

12" Oven (48" Ranges Only)

The 12" oven comes equipped with (2) oven racks and three position rack supports. The rack supports are removable for cleaning. Also included is a 2-pc. aluminum broiler pan for easy cleaning.

Foods Suitable for Bake

- Appetizers
- Desserts
- Pies, Cakes
- Main Dishes
- Breads
- Oven Meals (1 to 2 racks)
- Poultry
- Roasts

To get the best results

- Follow the recipe amounts and ingredients, including the size and shape of the baking utensil recommended in the recipe.
- Do not open the door "just to peek", use the interior oven light and look through the window.
- Do not use the oven for storage, especially when baking in the oven. Extra utensils, not being used for baking, can affect the food product, the baking time, the browning and end result.
- If you are using glass utensils, lower the temperature 25°F.
- Use a minute timer and set for the minimum time suggested in the recipe.

Baking Rack Position

One or two racks can be used simultaneously during Bake. Place the rack(s) in the desired position before turning the oven on. Store any unused racks outside of the oven. Rack position 2 (second from bottom) will probably be used the most for single rack baking. If you are using two racks simultaneously, be sure to check the food on the bottom rack sooner than the minimum time. The food on the lower rack position may cook slightly faster than the food on the upper rack, particularly if you are using large baking utensils. If you are using two racks simultaneously, be sure to stagger the baking utensils so that one is not directly above the other and the heated air can circulate freely around each pan. Allow at least 1" of space between the oven walls and the pans. If using large or commercial size baking utensils, the food may take a few extra minutes as the air cannot circulate as freely as it does with a smaller pan. When using commercial size baking utensils, use only one rack as the heat does not have the room to circulate.

Setting the 12" Oven for Baking (48" Models Only)

To use the 12" Oven to bake (smaller oven on left side), set desired temperature on thermostat dial.

- The "OVEN ON" light turns on.
- The "HEATING" light turns on.
- Once the "HEATING" light cycles off the first time, the oven "READY" light will come "On" after the oven is preheated. As the oven cools, the "READY" light will go out and the "HEATING" light will come back on. This process repeats when heat is needed.
- The "OVEN ON" light remains on until the Thermostat has been turned to the "OFF" position.

OVEN USE

Setting the 24" & 27" Oven for Baking

- The "OVEN ON" light turns on.
- The "HEATING" light turns on.
- Once the "HEATING" light cycles off the first time, the oven "READY" light will come "On" after the oven is preheated. As the oven cools, the "READY" light will go out and the "HEATING" light will come back on. This process repeats when heat is needed.
- The "OVEN ON" light remains on until the Thermostat has been turned to the "OFF" position.

BROIL

Broiling is cooking by intense infrared radiation supplied by the broil burner located at the top of the oven. Place the broil pan in the center of the rack for best results.

CAUTION:

Pay special attention when setting the Oven Control knob on "BROIL". If you set the knob past the "BROIL" setting, the burner will not ignite.

Foods Suitable for Broil

- Top Browning: Casseroles, Breads
- Appetizers
- Meats
- Poultry
- Fish

Setting the Oven for Broiling

Turn the Oven Control knob to "BROIL" (Fig. 14). The burner will ignite after the gas reaches the burner. The "Oven On" indicator light will come on to let you know that the broiler is currently on. During the broiling process, the infra-red burner produces such an intense heat that the burner will cycle on and off to maintain an efficient yet safe interior cooking environment. This cycling process is indicated by the turning on and off of the HEATING and READY indicator lights on the valve panel. **All broiling must be done with the oven door closed.** This will insure the best in cooking performance while maintaining a cool exterior surface for comfortable use. When checking the doneness of food while broiling, leave the door open only long enough to check temperature or determine degree of doneness. Close door immediately after checking the food.



Fig. 14

Preheating

The broiler does not need to be preheated for most broiling. To increase browning or for very thin food, preheat the broiler 5 to 8 minutes.

Using a Meat Thermometer to Broil

To accurately determine the doneness of a thick steak or chop (1-1/2 inches thick or more), use a meat thermometer. Insert the point of the thermometer into the side of the meat to the center. Cook the first side to 90°F for rare meat. Cook the first side to 100°F for medium to well done. Cook the second side to the desired degree for the doneness you want, 135°F to 140°F for rare, and 150°F to 155°F for medium and 160°F to 165°F for well done. If you are cooking pork, cook to 170°F. A large two-piece broil pan comes with your new range. When you are broiling, always use both pieces. Do not cover the grid with aluminum foil. This slotted grid allows the grease drippings to flow into the bottom of the pan keeping it away from the intense heat of the infrared broiler burner. This helps to minimize the smoking and spattering of the grease.

Broiling Rack Position

The rack position depends on the type and thickness of the food. Thick pieces of meat or poultry would typically be broiled on rack position 2 or 3. Steaks, chops and hamburger would be broiled on rack position 4 (top rack) for thinner pieces and position 3 for thicker ones. If top browning casseroles or bread the thickness of the food would indicate the rack position. Casseroles would typically be browned on rack position 2 or 3 and bread on rack position 3.

OVEN USE

To Get the Best Results

- Defrost the food before starting to cook.
- Set a minute timer for the minimum time to check the food. Steaks should be at least one inch thick if a rare doneness is desired. It is difficult to get rare with meat that is thinner, or to get a nice brown piece of meat.
- After half the total cooking time, turn the food over only once. It is not necessary to turn over thin foods (filet of fish, ham slices, etc.) Liver slices must be turned over.
- When top browning, use metal or glass-ceramic bakeware. DO NOT use heat-proof glass or pottery as this type of glassware cannot withstand the intense heat of the broiler burner.
- Use a two-piece broil pan. Two-piece broil pans are designed to minimize smoke and spatter. DO NOT cover the slotted grid with aluminum foil. This will catch the grease and could cause a fire.
- The broiler pan should be placed all the way to the back of the oven and centered on the oven rack.
- **All broiling must be done with the oven door closed.** This will insure the best in cooking performance while maintaining a cool exterior surface for comfortable use. When checking the doneness of food while broiling, leave the door open only long enough to check temperature or determine degree of doneness. Close door immediately after checking the food.

USING THE OVEN FOR SLOW COOKING OR LOW TEMPERATURES

The oven can be used to keep hot food hot, to dehydrate food, to warm plates, for slow cooking (as in a crock pot), and to defrost foods.

You can keep hot, cooked food at serving temperature. Set the oven to the temperature suggested in the chart on page 21. Rare meat must be eaten when it is removed from the oven, as it continues cooking from its own heat.

- To keep food moist, it must be covered with aluminum foil or a lid.
- To dehydrate food, follow suggestions in a recipe.
- To warm plates, check with the dishware manufacturer for the recommended temperature.
- To use the oven as a slow cooker, set the oven control knob to 225°F, place the food in the oven in a pan with a tight fitting lid. Follow recipes for this type of cooking.
- To thaw uncooked frozen food, set the oven control knob to "warm". Be sure the food is tightly wrapped in foil. Thaw the food just enough to handle it. Cook immediately. Do not refreeze.
- To thaw frozen cooked food, set the oven control knob to 170°F. Loosen the freezer wrapping.
- Do not use plastic wrap or wax paper in the oven.

FOOD SAFETY!

According to the United States Department of Agriculture you should not hold foods at temperatures between 40°F to 140°F for longer than 2 hours.

HIGH ALTITUDE BAKING

Recipes and baking times vary if you are baking at a high altitude. For accurate information write to the Agriculture Extension Service, Colorado State University, Fort Collins, Colorado 80521. Specify the type of information and the baking mode (convection bake or bake) you need, i.e. cakes, cookies, breads, etc. There may be a cost for the bulletins.

OVEN USE

INTERNAL COOKING TEMPERATURES

Food	Oven Temperature
Egg and Egg Dishes	
Eggs	Cook until yolk and white are firm
Egg Casseroles	160° F
Egg Sauces, Custards	160° F
Ground Meat and Meat Mixtures	
Turkey, Chicken	165°F
Beef, Veal, Lamb, Pork	160°F
Fresh Beef, Veal, Lamb	
Medium Rare	145°F
Medium	160°F
Well Done	170°F
Fresh Pork	
Medium	160°F
Well Done	170°F
Roast Beef	
Cooked commercially, vacuum sealed, and ready-to-eat	140°F

Food	Oven Temperature
Poultry	
Chicken, Turkey-whole	180°F
Chicken, Turkey-dark meat	180°F
Poultry-breast	170°F
Duck and Goose	180°F
Stuffing	
Cooked alone or in bird	165°F
Sauces, Soups, Gravies, Marinades	
Used with raw meat, poultry, or fish	Bring to a boil
Seafood	
Fin Fish	Cook until opaque and flakes easily with a fork.
Shrimp, Lobster, Crab	Should turn red and flesh should become pearly opaque.
Scallops	Should turn milky white or opaque and firm.
Clam, Mussels, Oysters	Cook until shells open.
Leftovers	165°F

OVEN USE

SUGGESTED TEMPERATURES TO KEEP FOOD HOT

Food	Oven Temperature
Beef	
Rare	150° - 155°F
Medium	155° - 170°F
Well Done	170° - 180°F
Bacon	200° - 225°F
Biscuits and Muffins (covered)	170° - 185°F
Casserole (covered)	170° - 200°F
Fish and Seafood	170° - 200°F
French Fried Foods	200° - 225°F
Gravy or Cream Sauces (covered)	170° - 180°F
Lamb and Veal Roasts	170° - 200°F
Pancakes and Waffles (covered)	200° - 225°F
Potatoes	
Baked	200°F
Mashed (covered)	170° - 185°F
Pies and Pastries	170°F
Pizza (covered)	225°F
Pork	170° - 200°F
Poultry (covered)	170° - 200°F
Vegetables (covered)	170° - 175°F

CARE AND MAINTENANCE

WHEN CLEANING THE RANGE OR COOKTOP:



Be careful cleaning any part of this appliance while hot.

All parts of the appliance can be cleaned with hot soapy water, rinsed, dried and buffed to a shine with a soft, heavy cloth. Always try this first, as it is the mildest cleaning procedure.

1. Use the mildest cleaning procedure first. Some brands of cleaners of the same type are harsher than others, read their directions. A scent or a propellant can make a difference in the product, read the ingredients. Try on a small area first.
2. To avoid marring the surface always rub metal finishes in the direction of the polish lines. The cleaner will be more effective when used in the direction of the polish lines.
3. Use only clean sponges, soft cloths, paper towels, plastic non-metal for cleaning or scouring as recommended in this section. (Use only soap pads with soap still in them. An empty pad can scratch.)
4. Be sure to rinse all parts thoroughly and to wipe dry to avoid water marks.

BRAND NAME CLEANERS

In this section on cleaning, the use of name brands is intended only to indicate a type of cleaner. This does not constitute an endorsement. The omission of any name brand cleaner does not imply its adequacy or inadequacy. Many products are regional in distribution and can be found in local markets and department stores.

COOKTOP

Turn off all the burners and allow the grates to cool before starting to clean the cooktop. If you wipe off any part of the cooktop while it is hot, do so carefully as using a wet sponge or cloth can result in steam burns.

BURNER GRATES

When lifting the grates be careful as they are heavy. Place them on a protected surface, so they won't scratch the surface they are laid on. The burner grates are matte porcelain enamel over cast iron. When cool, they may be placed in the dishwasher, or wiped clean while on the cooktop using hot soapy water, then rinsed and wiped dry. The burner grates will not rust as they are matte porcelain enamel on both sides for durability. The occasional use of mild abrasive cleansers such as Fantastik®, Simple Green® or Formula 409® is okay. Abrasive cleansers, used vigorously or too often, can eventually harm the enamel. Apply with a damp sponge, rinse thoroughly and dry. The porcelain may pop off the edge of the grates due to rapid temperature change when the burners are turned on. Do not be concerned as this does not result in the deterioration of the grates. The cast iron soon darkens to blend with the porcelain enamel. Be careful when wiping an area where the porcelain has popped off, as the edges may be sharp.

CLEANING THE OVEN

Be sure the oven and door are cool before you start to clean them. They are matte porcelain enamel. It is acid resistant, but not acid proof. Therefore, acid foods, such as vinegar, rhubarb, alcohol, citric juices or milk, should be wiped and not allowed to bake on. Try mild cleaners, such as: Bon-Ami, ammonia or ammonia and water or Soft Scrub. Apply the powders on a damp sponge or cloth. Rub lightly. Rinse thoroughly and dry. If food has burned onto the oven and is difficult to remove, soak the spots with a cloth saturated with household ammonia. Allow it to soak for an hour or two, with the door closed. The food soil should be easy to remove with a damp soapy cloth or mild abrasive. A solution of 3 tablespoons ammonia in a 1/2 cup of water may be placed in a warm (not hot) oven over night. This loosens the spills and hardened residue so they are easily wiped up with a clean damp sponge or cloth. For stubborn stains a soap filled milone pad can be used. The occasional use of abrasive cleaners is okay, if used too often or vigorously they can eventually harm the enamel. Dampen the pad, rub the surface lightly, rinse thoroughly and dry. Commercial oven cleaners, such as Easy Off® or Dow® can be used on the oven interior. Follow the manufacturer's directions. Commercial oven cleaners are corrosive to the thermostat bulb and oven burners. Do not spray or wipe this type of cleaner onto the oven thermostat bulb. If some cleaner gets onto the bulb or burners, wipe it off immediately with a clean damp cloth.

CARE AND MAINTENANCE

BURNERS

For proper lighting and performance keep the burners clean. It is necessary to clean the burners if they do not light even though the igniter clicks, if there has been a severe boil over, or when the flame does not burn blue. Be certain all burner knobs are in the off position before attempting to clean the burners. The burners have been designed for ease in cleaning. When the grates and burners are cool, remove the grate. The burner cap and the brass port ring can easily be lifted off. Wash these parts in hot soapy water, rinse and dry thoroughly. The burner caps are porcelain enamel, follow the directions on the previous page that were given for the burner grates. A bristle brush can be used to clean out the toothed burner ports, if necessary. Disassembly of the simmer ring is not recommended, however, it may become necessary to do so if the ports remain clogged after normal cleaning. If it is necessary to disassemble the simmer ring from the base, remove the hex nut at the top of the simmer ring. Clean the simmer ring with hot soapy water using a soft wire or plastic bristle brush then dry thoroughly. Re-assemble the parts using the hex nut. After cleaning, it is important to make sure the locating pin on the bottom side of the simmer ring is properly aligned with the corresponding hole in the base and that the two locating pins (see insert-Fig.15) in the bottom side of the brass port ring are properly aligned with the locating notch and center holes on the top side of the simmer ring. Incorrect alignment will produce a potentially dangerous flame and poor burner performance (see Fig. 15).

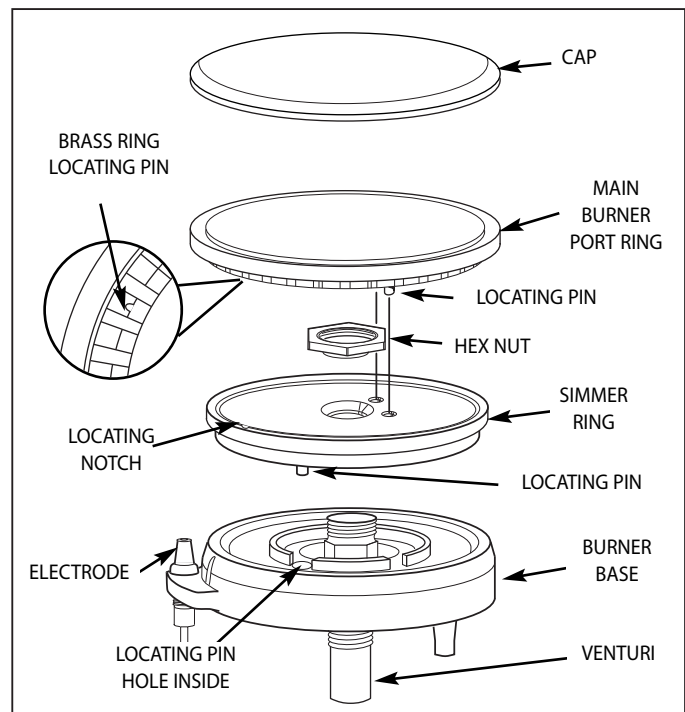


Fig. 15

IGNITERS

Wipe with a rubbing alcohol dampened cotton swab. Be careful not to damage the igniter (see Fig. 16).

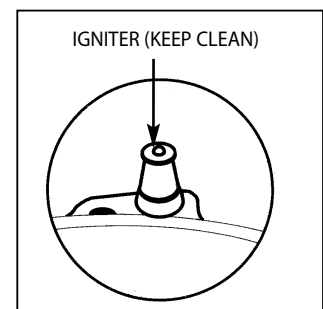


Fig. 16

SUMP AREA AROUND BURNERS AND IGNITERS

Remove grates. With a warm wet sponge, apply a soap that will release grease (like Dawn). Clean up soiled area around the sump.

FOR HARD TO CLEAN SOIL, USE THIS METHOD:

If residue is still left, make a paper collar around the burner and igniter and tape it together (Fig. 17). Spray "Easy Off" or "SOS" oven spray using the cool method on soiled area. Cover it with a paper towel and leave it on the area at least 4 hours or overnight (Fig. 18). With a warm moist sponge, remove the oven spray and soil. Dry with a soft cloth.

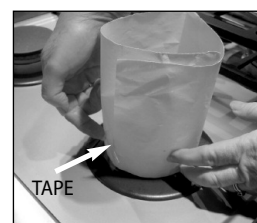


Fig. 17



Fig. 18

DRIP TRAYS AND DRAIN TUBES

If you have a griddle or a grill there will be a tray liner located inside of the drip tray (Fig. 19). The drip trays are made of stainless steel. The drip trays are on rollers so they are easy to remove and replace.

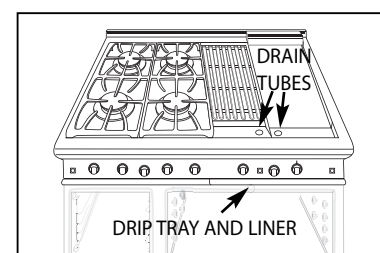


Fig. 19

CARE AND MAINTENANCE

To remove tray liner:

- Pull tray out until it stops.
- Remove inner trays for cleaning.

To remove drip tray: (if needed)

- Pull tray out until it stops.
- Remove inner trays.
- Push in latches on the sides of the slides while pulling out the drip tray (Fig. 20).
- Continue pulling the tray out.

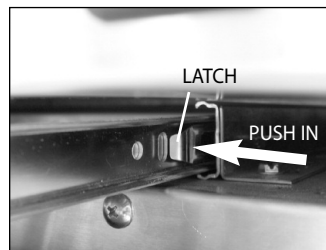


Fig. 20

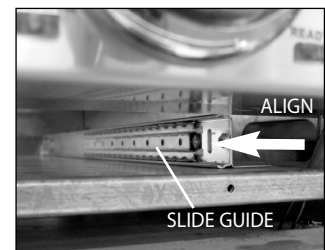


Fig. 21

To install drip tray:

- Align the side of the drip tray with the slide guides (Fig. 21).
- Push the tray in until it stops.
- Pull the tray forward and push in and out several times to engage rollers.

If something has spilled into the trays it should be cleaned up as soon as possible to prevent “baked on” food soil. Grease from the griddle or the grill drains through the drain tube into the tray and liner below. **Do not allow the grease to accumulate in the tray as it can be a fire hazard.** Clean the tube and tray as soon as they are cool. Clean with hot soapy water. For the tube use a soapy bottle brush. Ensure the drip tray is in place when cleaning the drain tube. A mild abrasive cleaner such as Fantastik®, Simple Green® or Formula 409® can be used. (Do not use steel wool pad, or a harsh abrasive such as: Comet® or Ajax®.) Rinse and dry all parts thoroughly.

GRIDDLE

Thoroughly clean the griddle of grease and food particles while it is still hot, taking care not to scratch the griddle, using a square edged spatula or brass brush. Once the griddle has cooled to a lukewarm temperature, rub the surface lightly with vegetable oil (do not use corn oil, it gets sticky). Thoroughly wipe the griddle with a heavy coarse cloth or burlap to remove any remaining residue and food particles. If you have a grease build-up, use one tablespoon of vinegar in a 1/2 cup of water, clean with a scouring cloth such as a Chore Boy® Scouring Cloth. For heat discoloration use a stainless steel cleaner for heat stains such as Revere Ware® Stainless Steel Cleaner. Wash with hot soapy water, rinse and dry. If food soil or residue is cooked onto the griddle, use a griddle stone (fine grained pumice), or a griddle pan and screen cleaner (these are both available at restaurant supply stores), following the manufacturers’ directions. Wash with hot soapy water, rinse and dry. If hot soapy water, vinegar, or scouring powder are used to clean the griddle, it must be re-seasoned. Follow the directions on page 14 to reseason the griddle.

NEVER FLOOD THE HOT GRIDDLE WITH COLD WATER. This could cause the griddle to crack or warp.

GRILL

Clean the grill immediately after cooking. Turn off the burner. To protect your hand from steam and heat, wear a barbecue mitt. Scrub the grill by dipping a brass bristle barbecue brush frequently into a bowl of warm water. The steam created softens the food particles and assists the cleaning process. The food particles will drop into the drip tray or into the radiant tray holding the radiants. Be sure to clean the drain tube, drip tray and liner after they have cooled. Follow directions above. The radiant tray and radiants, should be removed periodically (when cool) and shaken gently over a layer of newspaper, which can be thrown away.

CONTROL KNOBS - OVEN AND COOKTOP

These are die-cast metal with plastic grips and can be cleaned in hot, soapy water. To remove the knobs from the control panel, grasp the knob and pull straight towards you and away from the range. Wash, do not soak. Rinse and dry thoroughly. It is important to replace these knobs on the correct gas valve on the control panel. The cooktop and grill control knobs are similar, the cooktop knobs have a setting for “Simmer”, the grill knob does not. The oven and griddle control knobs are similar, they both have temperatures on them, the oven knob has a “Broil” setting, the griddle does not.

CARE AND MAINTENANCE

BACKGUARD (if installed)

This is made of stainless steel. Use the mildest cleaning procedure first. Hot soapy water, rinse and dry. If the panel has food soil remaining, try a general kitchen cleaner, such as Fantastik®, Simple Green® or Formula 409®. Apply cleaner with a damp sponge, rinse thoroughly and dry. Always scrub lightly in the direction of the grain. Do not use a steel wool pad, it will scratch the surface. To touch up noticeable scratches in the stainless steel, sand very lightly with dry 100 grit emery paper, rubbing in the direction of the grain. After cleaning use a stainless steel polish, such as Stainless Steel Magic®. If the rear top burners are used extensively on high it is possible for the vertical stainless steel panel to discolor from the burner heat. This discoloration can be removed by using Revere Ware Stainless Steel Cleaner.

OVEN DOOR REMOVAL



WARNING!

Do not lift oven door by the handle - will cause damage! Be sure the oven and door are cool before you begin to remove the door!

1. Open the door all the way open (Fig. 22).
2. Unlock the door hinges by rotating the lock forward (Fig. 23).
3. Once both hinges are unlocked, gently begin to close the door until the door reaches approximately halfway closed. Grabbing the sides of the door and gently lifting up and slightly forward, the door will unlatch from the hinge.
4. Continue to lift and pull the door away from the range.



Fig. 22
Oven hinge assembly

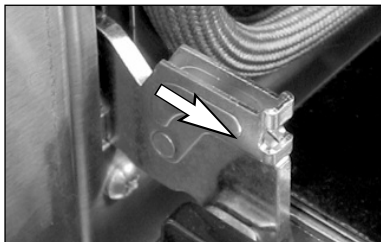


Fig. 23
Hinge retainer clip in unlocked position

OVEN DOOR INSTALLATION

1. Position the door in approximately halfway open position.
2. Simply place the hinge tongue into the hinge slots (See Fig. 24).
3. Push the door into the slots until you feel them fall into the latches.
4. Open the door completely and rotate the locks into the closed position (Fig. 25).
5. Close the oven door.

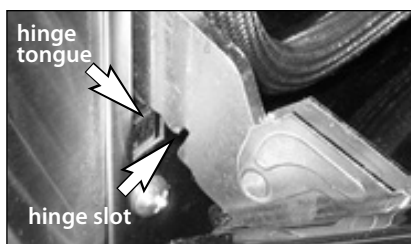


Fig. 24
Hinge assembly

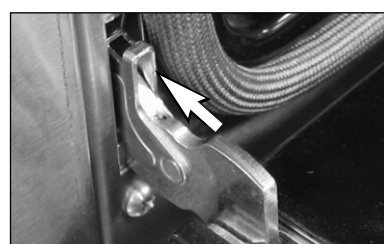


Fig. 25
Hinge retainer clip in locked position

CARE AND MAINTENANCE

OVEN RACKS, ROLLERS AND RACK SUPPORTS

All of the oven racks and 12" rack supports are chrome plated steel. The roller assisted rack supports in the main oven (24" and 27") are stainless steel. To remove the 12" Oven rack supports, first remove the oven racks, then grasp the rack supports and pull up and out. To replace the rack supports, put the top in first. To clean, use a damp sponge, cloth, or steel wool with a mild detergent. Chrome cleaners, such as Soft Scrub, Cameo or Bar Keepers Friend can be applied with a damp sponge following package directions. Rinse and dry. Powdered cleaners such as Bon-Ami or Comet are applied with a damp sponge or cloth, rubbed lightly, rinsed and dried. For hard to remove food soil use a dampened soap filled steel wool pad, rinsed and dried. Harsh Cleaners which are commercial oven cleaners, such as Easy Off or Dow can be used on the racks, but are not recommended for use on the self cleaning oven rack rollers or oven interiors. Additionally, some commercial oven cleaners cause darkening and discoloration. Test the cleaner on a small part of the rack and check for any discoloration before cleaning the entire rack. Apply a generous coating. Allow to stand for 15 to 20 minutes. Rinse thoroughly and dry. After being cleaned, if the racks in the main oven do not slide easily, pour a small amount of cooking oil on a paper towel and rub it lightly over the side rails and rollers. Spray with "Pam" if racks get hard to move.

FRAME, SIDES, DOOR EXTERIOR, HEAT DEFLECTOR

These parts are made of stainless steel, follow the directions for the Backguard. Take care when cleaning the door top, and do not let water or cleaners run down the vents. If water or cleaners spill into the vents, they may streak the glass inside the door.

DOOR GASKET

Clean with hot water only. Do not rub. Press a dry towel on the gasket to dry. Do not remove or damage the mesh.

OVEN LIGHT BULB REPLACEMENT

For oven light bulb replacement use only a 40 watt, 120 volt appliance light bulb. These are available in supermarkets. DO NOT use a standard light bulb in any oven, the heat will break it.

To Replace the Light Bulb

1. Be sure the oven light bulb switch is in the "OFF" position or turn off circuit breaker. The bottom of the switch is pressed in. **Let the cover and the bulb cool completely.**
2. Remove the light cover. Turn the cover to the left (counterclockwise) to unscrew it.
3. Remove the burnt out bulb. Replace it with a 40 watt appliance light bulb only.
4. Replace cover. Turn circuit breaker back on, if turned off. (See Warning below).

WARNING!

Be sure the oven light switch is in the OFF position and the cover is cool. If the bulb comes loose from the base, turn off the power to the oven at the circuit breaker panel, before attempting to remove the bulb base from the socket.

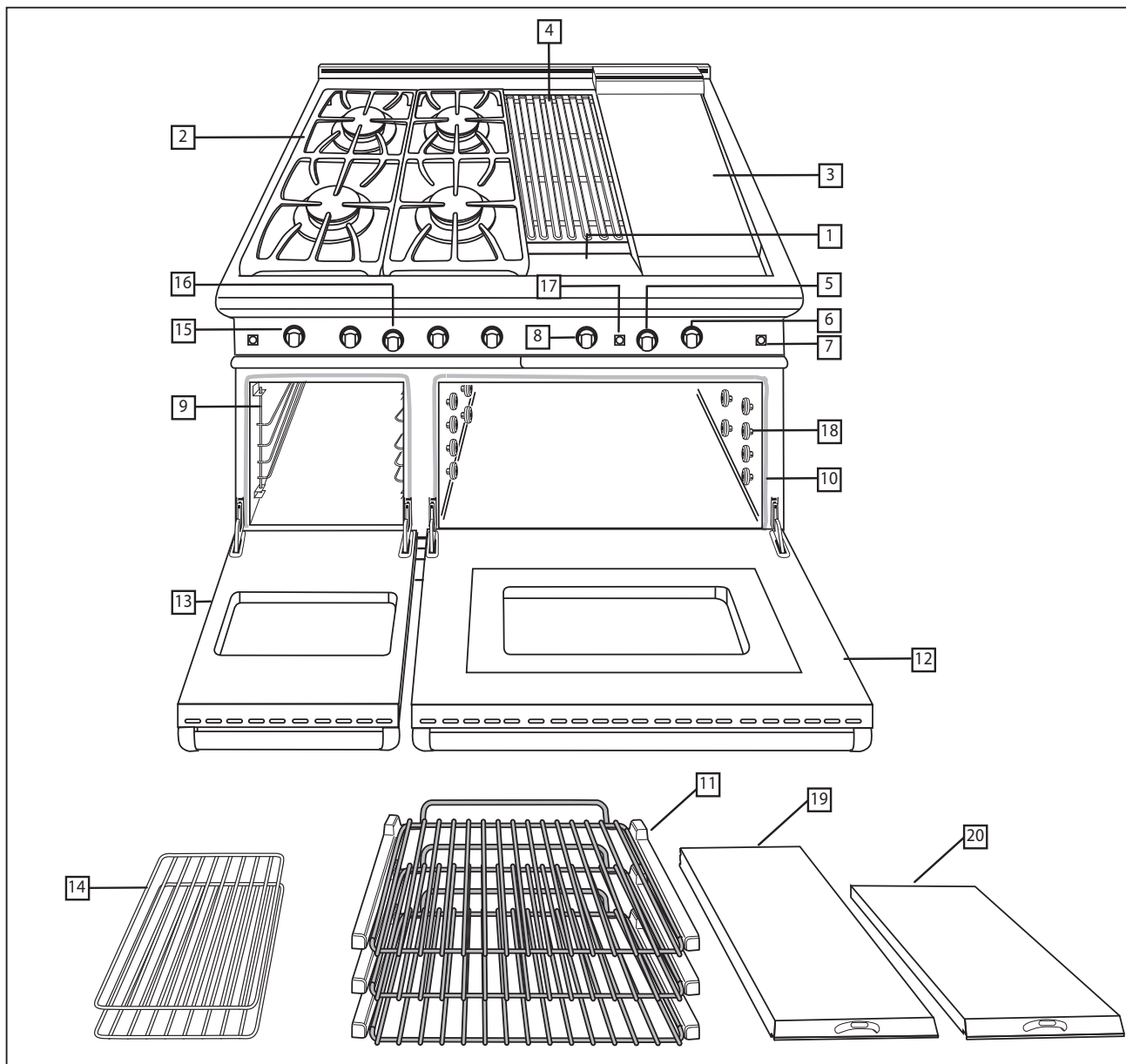
POWER FAILURE

To light the cooktop burners, turn the control knob to "LITE", hold a lighted match to the port ring. After the flame is burning all the way around the burner, adjust the flame. It is necessary to light each burner separately, each time you want to use it. Do not attempt to match light the griddle, grill, broil, or oven burners; they will not function without any electrical power. Make sure knobs are in the "OFF" position should power be restored and you are away from the unit. Do not leave the burner unattended. The burner will not relight if blown out.

PARTS IDENTIFICATION

ITEM	DESCRIPTION
1	Grill
2	Burner Grates
3	Griddle
4	Grill Grates
5	Large Oven Control Knob
6	Griddle Control Knob
7	Oven Light Switch
8	Grill Control Knob
9	Oven Rack Supports
10	Oven Door Gasket

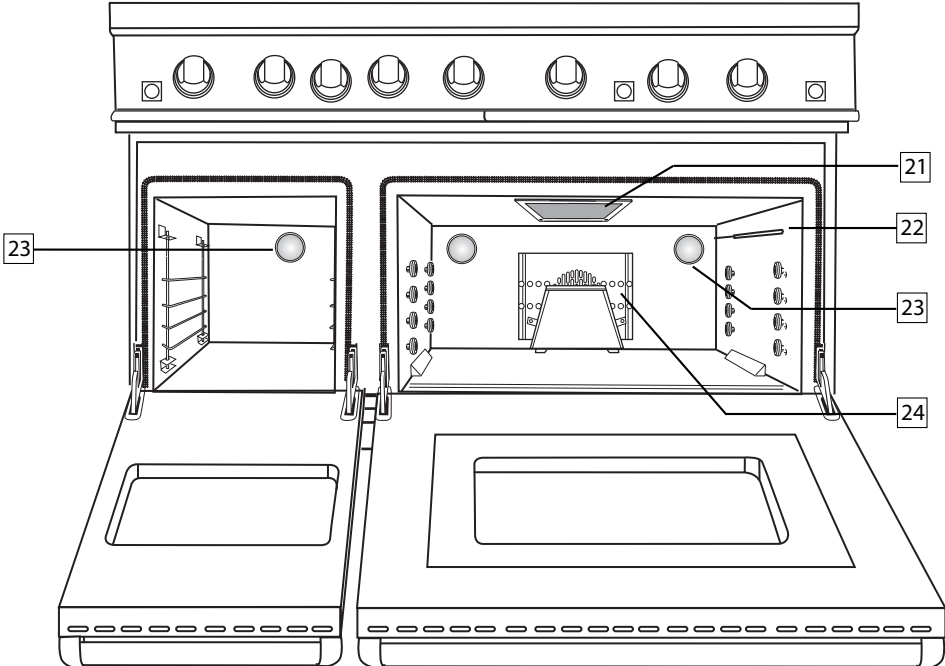
ITEM	DESCRIPTION
11	Large Oven Racks (3)
12	Oven Door
13	12" Oven Door
14	Small Oven Racks (2)
15	Cooktop Control Knob
16	Small Oven Control Knob
17	Convection Fan Switch
18	Rollers
19	Grill Cover
20	Griddle Cover



MODEL RGT-484GG SHOWN
 NOTE: RATING PLATE LOCATED ON THE BACK PANEL

PARTS IDENTIFICATION

ITEM	DESCRIPTION
21	IR Broiler
22	Oven Thermostat Bulb
23	Oven Light Assembly
24	Convection Fan Baffle



TROUBLESHOOTING

RANGES & COOKTOPS		
PROBLEM	POSSIBLE CAUSE	SOLUTION
NON FUNCTIONAL	NO ELECTRICITY OR GAS SUPPLY	TURN ON GAS SUPPLY VALVE
		CHECK CIRCUIT BREAKERS
	TECHNICAL	CALL AUTHORIZED SERVICE
ONE OR MORE BURNERS WILL NOT LIGHT	NO ELECTRICITY	CHECK CIRCUIT BREAKERS
	NO GAS	CHECK GAS SUPPLY AT WALL
	WRONG GAS	VERIFY GAS TYPE (SEE PAGE 30 FOR LOCATION OF LABEL)
	DIRTY BURNERS	CLEAN BURNERS
	BURNERS MIS-ALIGNED	ALIGN & REASSEMBLE BURNERS
	WATER IN BURNER(S)	DIS-ASSEMBLE & DRY BURNER(S)
	DIRTY ELECTRODE	CLEAN BURNER ELECTRODE
	TECHNICAL	CALL AUTHORIZED SERVICE
INCORRECT FLAME SOOTY BURNER FLAME	TOO LARGE OR SMALL MIS-ALIGNED BURNER ASSY	VERIFY GAS TYPE (SEE LABEL ON BACK) REALIGN AND RE-ASSEMBLE BURNER ASSY (PAGE 23)
RANGE OVENS		
PROBLEM	POSSIBLE CAUSE	SOLUTION
NO OVEN LIGHT	NO ELECTRICITY	CHECK CIRCUIT BREAKERS
		CHECK PLUG AT WALL (RDT,RGT & RGTC)
	LOOSE BULB	BE SURE BULB IS SECURE IN SOCKET
	BURNED OUT BULB	REPLACE BULB
NO OVEN HEAT (BAKE)	NO GAS	CHECK FOR PROPER TOP BURNER OPERATION
	NO ELECTRICITY (CHECK OVEN LIGHT)	CHECK CIRCUIT BREAKERS
		CHECK PLUG (RDT,RGT & RGTC)
	IMPROPER SETTINGS	VERIFY PROPER SETTINGS ON KNOB & SELECTOR BUTTONS (IF APPLICABLE)
	TECHNICAL	CALL AUTHORIZED SERVICE
NO OVEN BROIL	IMPROPER SETTINGS (SEE NO BAKE)	VERIFY PROPER SETTINGS
	TECHNICAL	CALL AUTHORIZED SERVICE
UNEVEN BAKING	INSUFFICIENT PRE-HEAT TIME	ALLOW OVEN TO PREHEAT BEFORE BAKING
	IMPROPER SETTINGS	VERIFY PROPER SETTINGS ON KNOB & SELECTOR BUTTONS (IF APPLICABLE)
	IMPROPER UTENSILS/PLACEMENT	USE PROPER UTENSILS & PLACE THEM PROPERLY (SEE USE & CARE)
	TECHNICAL	CALL AUTHORIZED SERVICE
NO CONVECTION	NO CONVECTION PAN	CHECK FOR AIR MOVEMENT
CONVECTION NOISY	TECHNICAL	CALL AUTHORIZED SERVICE
RANGE GRIDDLE & GRILL		
PROBLEM	POSSIBLE CAUSE	SOLUTION
NON FUNCTIONAL	NO ELECTRICITY OR GAS SUPPLY	TURN ON GAS SUPPLY VALVE
		CHECK CIRCUIT BREAKERS
	RADIANT TRAY IMPROPERLY INSTALLED	RE-INSTALL RADIANT TRAY CORRECTLY
	TECHNICAL	CALL AUTHORIZED SERVICE
LOW HEAT	PLUGGED BURNER PORTS	SEE PAGE 23 FOR BURNER CLEANING PROCEDURE

HOW TO OBTAIN SERVICE

BEFORE YOU CALL FOR SERVICE

- Is the circuit breaker tripped or the fuse blown?
- Is there a power outage in the area?
- See Troubleshooting on page 29.

IF THE COOKTOP BURNERS DO NOT LIGHT

- Is the two piece burner assembled correctly? (See page 23, Fig. 15)
- Is the burner head assembly aligned correctly? (See page 23, Fig. 15)
- Is the manual shut-off valve open? This is usually located where the gas comes out of the wall.

For warranty service, please contact your local service provider or DCS Customer Care Representative at (888) 936-7872. Before you call, please have the following information ready:

- Model Number (located on rating plate on the back panel and also on the front frame, right lower corner between the kick panel and the oven door).
- Serial Number (located on rating plate on the back panel and also on the front frame, right lower corner between the kick panel and the oven door).
- Date of installation
- A brief description of the problem

Your satisfaction is of the utmost importance to us. If a problem cannot be resolved to your satisfaction, please call, write or email us at:

Fisher & Paykel Appliances, Inc.
Attention: DCS Customer Care
5900 Skylab Road
Huntington Beach, CA 92647

email: customer.care@fisherpaykel.com

WARRANTY

LIMITED WARRANTY

When you purchase a new DCS Range you automatically receive a One Year Limited Warranty covering parts and labor for the entire product, a Five Year Limited Warranty on surface burners, griddle burners, grill burner and oven burners (parts only), and a Two Year Limited Warranty on the porcelain oven liner and porcelain inner door panel (parts only) for servicing within the 48 mainland United States, Hawaii, Washington D.C. and Canada. In Alaska the Limited Warranty is the same except that you must pay to ship the Product to the service shop or the service technician's travel to your home. Products for use in Canada must be purchased through the Canadian distribution channel to ensure regulatory compliance.

FISHER & PAYKEL UNDERTAKES TO:

Repair without cost to the owner either for material or labor any part of the Product, the serial number of which appears on the Product, which is found to be defective. In Alaska, you must pay to ship the Product to the service shop or for the service technician's travel to your home.

If we are unable to repair a defective part of the Product after a reasonable number of attempts, at our option we may replace the part or the Product, or we may provide you a full refund of the purchase price of the Product (not including installation or other charges).

This warranty extends to the original purchaser and any succeeding owner of the Product for products purchased for ordinary single-family home use. All service under this Limited Warranty shall be provided by Fisher & Paykel Appliances Inc. or its Authorized DCS Service Agent during normal business hours.

HOW LONG DOES THIS LIMITED WARRANTY LAST?

Our liability under this Limited Warranty for the entire product expires One Year from the date of purchase of the Product by the first consumer. Our liability under this Limited Warranty for surface burners, griddle burners, grill burner and oven burners (parts only) expires Five Years from the date of the purchase of the Product by the first customer. Our liability under this Limited Warranty for the porcelain oven liner and porcelain inner door panel (parts only) expires Two Years from the date of the purchase of the Product by the first customer.

Our liability under any implied warranties, including the implied warranty of merchantability (an unwritten warranty that the Product is fit for ordinary use) also expires One Year (or such longer period as required by applicable law) from the date of purchase of the Product by the first consumer. Some states do not allow limitations on how long an implied warranty lasts, so this limit on implied warranties may not apply to you.

THIS WARRANTY DOES NOT COVER:

- A. Service calls that are not related to any defect in the Product. The cost of a service call will be charged if the problem is not found to be a defect of the Product. For example:
1. Correct faulty installation of the Product.
 2. Instruct you how to use the Product.
 3. Replace house fuses, reset circuit breakers, correct house wiring or plumbing, or replace light bulbs.
 4. Correct fault(s) caused by the user.
 5. Change the set-up of the Product.
 6. Unauthorized modifications of the Product.
 7. Noise or vibration that is considered normal, for example, drain/fan sounds, regeneration noises or user warning beeps.
 8. Correcting damage caused by pests, for example, rats, cockroaches etc.

WARRANTY

- B. Defects caused by factors other than:
 - 1. Normal domestic use or
 - 2. Use in accordance with the Product's Use and Care Guide.
- C. Defects to the Product caused by accident, neglect, misuse, fire, flood or Act of God.
- D. The cost of repairs carried out by non-authorized repairers or the cost of correcting such unauthorized repairs.
- E. Travel Fees and associated charges incurred when the product is installed in a location with limited or restricted access. (i.e. airplane flights, ferry charges, isolated geographic areas).
- F. Normal recommended maintenance as set forth in the Product's Use and Care Guide.

If you have an installation problem contact your dealer or installer. You are responsible for providing adequate electrical, exhausting and other connection facilities.

We are not responsible for consequential or incidental damages (the cost of repairing or replacing other property damaged if the Product is defective or any of your expenses caused if the Product is defective). Some states do not allow the exclusion or limitation of incidental or consequential damages, so the above limitation or exclusion may not apply to you.

HOW TO GET SERVICE

Please read your Use and Care Guide. If you then have any questions about operating the Product, need the name of your local DCS Authorized Service Agent, or believe the Product is defective and wish service under this Limited Warranty, please contact your dealer or call us at:

TOLL FREE 1-888-936-7872 or contact us through our web site: www.dcsappliances.com

You may be required to provide reasonable proof of the date of purchase of the Product before the Product will be serviced under this Limited Warranty.

COMMERCIAL USE

This warranty applies to appliances used in residential applications; it does not cover their use in commercial situations.

NO OTHER WARRANTIES

This Limited Warranty is the complete and exclusive agreement between you and Fisher & Paykel Appliances Inc. regarding any defect in the Product. None of our employees (or our Authorized Service Agents) are authorized to make any addition or modification to this Limited Warranty.

Warrantor: Fisher & Paykel Appliances, Inc.

If you need further help concerning this Limited Warranty, please call us at the above number, or write to:

Fisher & Paykel Appliances, Inc.
5900 Skylab Road, Huntington Beach, CA 92647

This Limited Warranty gives you specific legal rights, and you may also have other rights which vary from state to state.

Fisher & Paykel Appliances Inc. is a leading manufacturer of premium quality cooking and specialty appliances under the Fisher & Paykel and DCS brands.



LA CUISINIÈRE À GAZ PROFESSIONNELLE RGT

Manuel d'utilisation et d'entretien



MODÈLES :

- | | |
|-----------|-----------|
| RGT-305 | RGT-484GG |
| RGT-366 | RGT-485GD |
| RGT-364GL | RGT-486GL |
| RGT-364GD | RGT-486GD |



À L'INTENTION DE NOS CLIENTS

Nous vous remercions d'avoir choisi cette cuisinière à gaz professionnelle DCS. Nous avons conçu ce Manuel d'utilisation et d'installation pour expliquer ses fonctions uniques. Il contient des informations extrêmement utiles sur la façon de faire fonctionner et d'entretenir correctement votre nouvel appareil. Vous pourrez ainsi en profiter pendant des années en toute sécurité.

Aidez-nous à mieux vous servir en remplissant l'enregistrement de produit et en nous le soumettant depuis notre site Web à www.dcsappliances.com. Sélectionnez « Customer Care » sur la page d'accueil puis « Product Registration ». De plus, gardez ce manuel à portée de main afin de rapidement trouver réponse à vos questions durant l'utilisation de votre nouvel appareil.

Si vous avez des questions au sujet de notre produit, communiquez avec un représentant du centre de service à la clientèle DCS par téléphone : 1-888-936-7872, ou par courriel : customer.care@fisherpaykel.com.

REMARQUE : Veuillez noter les numéros de modèle et de série sur cette page pour information (situé sur la plaque signalétique, sur le panneau arrière et également sur le cadre avant, coin inférieur droit entre le panneau de seuil de porte et la porte du four).

NUMÉRO DE MODÈLE _____ NUMÉRO DE SÉRIE _____

REMARQUE : Inspecter le produit pour vérifier qu'il n'a pas été endommagé pendant l'expédition. En cas de dommages, contacter le transporteur et entamer une déclaration pour dommage. DCS by Fisher & Paykel n'est en aucun cas responsable des dommages pendant l'expédition.

Ne pas jeter le matériau d'emballage (boîte, palette, sangles) avant d'avoir inspecté l'unité.



AVERTISSEMENT!

Toute installation, ajustement, altération ou entretien incorrect peut causer des dommages matériels, des blessures ou la mort. Veuillez lire soigneusement ces instructions d'installation, d'utilisation et d'entretien avant d'installer, utiliser ou effectuer l'entretien de cet appareil.



AVERTISSEMENT!

Si les informations de ce manuel ne sont pas suivies à la lettre, un incendie ou une explosion peuvent se produire et causer des dommages matériels, des blessures ou la mort.

Évitez de stocker ou d'utiliser de l'essence ou tout autre liquide et vapeur inflammable à proximité de cet appareil électroménager ou de tout autre.



DANGER

Si vous sentez une odeur de gaz :

1. N'essayez pas d'allumer aucun appareil électroménager.
2. Ne touchez aucun interrupteur électrique; n'utilisez aucun téléphone dans l'édifice.
3. Appelez immédiatement votre fournisseur de gaz de chez un voisin. Suivez les instructions du fournisseur de gaz.
4. Si vous n'arrivez pas à joindre votre fournisseur de gaz, appelez les pompiers.
5. Toute installation ou service doit être confié à un installateur qualifié, un organisme de service ou le fournisseur de gaz.



AVERTISSEMENT!

Pour réduire les risques de blessures en cas de feu de graisse sur la table de cuisson, respectez les consignes suivantes : Éteignez d'abord le brûleur. Étouffez les flammes à l'aide d'un couvercle hermétique, d'une plaque à biscuits d'un plateau métallique, de bicarbonate de soude ou à l'aide d'un extincteur à poudre ou à mousse. Attention à ne pas vous brûler. Si les flammes ne s'éteignent pas immédiatement, évacuez les lieux et appelez les pompiers. Ne prenez jamais en main une poêle ou une casserole qui a pris feu; vous pourriez vous brûler. **N'UTILISEZ PAS D'EAU SUR UN FEU DE GRAISSE, y compris des serviettes mouillées; une explosion de vapeur violente pourrait en résulter. Utilisez un extincteur SEULEMENT si :**

1. Vous êtes sûr qu'il s'agit d'un extincteur de classe ABC et savez comment le faire fonctionner.
2. L'incendie est limité et se limite à l'endroit où il s'est déclenché.
3. Vous êtes en train d'avertir les pompiers.
4. Vous pouvez combattre l'incendie le dos tourné vers une sortie.

VEUILLEZ CONSERVER CE MANUEL À TITRE DE RÉFÉRENCE.

TABLE DES MATIÈRES

CONSIGNES DE SÉCURITÉ	3-6
IDENTIFICATION DU MODÈLE	7
AVANT D'UTILISER VOTRE APPAREIL	8-9
UTILISATION DE LA TABLE DE CUISSON	
Brûleur	10
Allumeurs électroniques	11
Efficacité des brûleurs et caractéristiques de la flamme	11
Grilles des brûleurs	12
Anneau de Wok (acheter séparément)	12
UTILISATION DU GRIL	13-14
UTILISATION DE LA PLAQUE CHAUFFANTE	14-15
UTILISATION DU FOUR	
Cuisson par convection	16-17
Cuisson au four traditionnelle	18-19
Grillage	19-20
Utilisation du four pour une cuisson lente ou à basse température	20
Cuisson à haute altitude	20
Températures de cuisson internes	21
Températures suggérées pour garder les aliments chauds	22
ENTRETIEN ET MAINTENANCE	
Nettoyage de la cuisinière ou table de cuisson, des grilles de brûleurs	23
Brûleurs et allumeurs	24
Pour les salessures plus coriaces	24
Ramasse-goutetes et tubes d'égouttement	24-25
Plaque chauffante, gril, boutons de réglage	25
Dossieret	26
Retrait et installation de la porte du four	26
Grilles de four, roulettes et supports de grille	27
Panne d'alimentation	27
IDENTIFICATION DES PIÈCES	28-29
DÉPANNAGE	30
POUR L'OBTENTION DE SERVICE	31
GARANTIE	32-33

MESURES DE SÉCURITÉ ET DE PRÉCAUTION

Votre nouvel appareil DCS fonctionnera de manière sûre et fiable pendant des années si vous en prenez bien soin. Faites extrêmement attention quand vous utilisez cet appareil de niveau professionnel, car il dégage une chaleur intense et peut augmenter les risques d'accidents. Vous devez respecter des consignes de sécurité élémentaires durant l'utilisation d'appareils de cuisine, dont celles-ci :

- Veuillez lire attentivement ce manuel d'utilisation et d'entretien avant d'utiliser votre nouvel appareil. Ceci vous permettra de réduire les risques d'incendie, de choc électrique ou de blessures.
- Commencez par vous assurer que l'installation et l'entretien sont effectués correctement. Suivez les instructions d'installation fournies avec cet appareil. Avant d'utiliser l'appareil, confiez son installation et sa mise à la terre à un technicien qualifié.
- Demandez-lui de vous montrer l'emplacement du robinet d'arrêt de l'alimentation de gaz afin de savoir comment couper l'arrivée de gaz.
- Si vous sentez une odeur de gaz, cela signifie que l'installateur n'a pas vérifié correctement s'il y avait des fuites. Si les connexions ne sont pas complètement étanches, une petite fuite pourrait se produire et laisser s'échapper une faible odeur de gaz. La détection des fuites n'est pas une procédure à faire soi-même. Certaines fuites ne peuvent être détectées que si la commande du brûleur est sur ON. Dans l'intérêt de votre sécurité, confiez cette procédure à un technicien qualifié.
- Si jamais un brûleur s'éteint et laisse s'échapper du gaz, ouvrez la fenêtre ou la porte pour évacuer l'air. N'essayez pas d'utiliser l'appareil avant que le gaz ne se soit complètement dissipé. Suivez les instructions de la page 1, « Pour votre sécurité - Si vous sentez une odeur de gaz ».
- Cet appareil électroménager a été monté en usine pour être utilisé avec du gaz naturel ou propane. Il doit être réglé correctement en usine selon le type de gaz utilisé.
- Ne réparez pas ni ne remplacez aucune pièce de cet appareil, sauf indication contraire du manuel. Tout autre travail d'entretien doit être confié à un technicien qualifié.
- Les enfants ne doivent pas être laissés seuls ou sans surveillance dans un endroit où l'on utilise des appareils électroménagers. Il ne faut jamais les laisser tourner ou enfoncez des boutons, ni s'asseoir ou se tenir debout sur ces appareils ou les toucher lorsqu'ils sont en marche.
- Des enfants en marchette ou à quatre pattes peuvent être attirés par la poignée ronde de la porte et la saisir pour ouvrir la porte du four. Ils pourraient alors se blesser si la porte est ouverte ou se brûler sérieusement si le four fonctionne et qu'il est chaud.



AVERTISSEMENT!

Évitez de ranger sur les appareils ou à l'arrière des articles pouvant attirer les enfants. Les enfants peuvent être blessés sérieusement s'ils grimpent sur l'appareil pour atteindre ces articles.

- Ne rangez jamais rien dans le four ni sur la table de cuisson. Des matériaux inflammables pourraient prendre feu, des éléments en plastique pourraient fondre ou s'enflammer et d'autres types d'objets pourraient être détruits.
- Ne suspendez aucun article sur l'appareil et ne placez aucun objet contre le four. Certains matériaux sont très inflammables et pourraient prendre feu.
- Si l'appareil se trouve près d'une fenêtre, assurez-vous que les rideaux sont suffisamment éloignés des brûleurs de la table de cuisson; ils pourraient prendre feu sinon.
- Ne versez pas d'eau sur les feux de graisse. ÉTEIGNEZ tous les brûleurs, puis étouffez le feu avec du bicarbonate de soude ou à l'aide d'un extincteur à poudre ou à mousse.
- Ne laissez jamais des vêtements, gants ou autres matériaux inflammables en contact ou à proximité d'un brûleur ou d'une grille de brûleur tant que ces derniers n'ont pas refroidi. Les tissus peuvent s'enflammer et causer des blessures.
- Utilisez seulement des gants isolants secs : les gants humides sur des surfaces chaudes peuvent provoquer des brûlures causées par la vapeur. N'utilisez pas de serviette ou de linge épais à la place de gants isolants. Ne laissez pas les gants isolants toucher les brûleurs ou leurs grilles.
- Pour assurer votre propre sécurité, habillez-vous de façon appropriée. Ne portez jamais de vêtements ou de manches lâches lorsque vous utilisez l'appareil. Certains tissus synthétiques sont extrêmement inflammables et ne doivent pas être portés pendant la cuisson.

MESURES DE SÉCURITÉ ET DE PRÉCAUTION

- Ne recouvrez aucune partie du four ou de la table de cuisson avec du papier aluminium. C'est un isolant thermique qui peut emprisonner la chaleur, laquelle peut alors affecter la performance de la table de cuisson et endommager la finition du four ou des pièces de la table de cuisson.



AVERTISSEMENT! Ne recouvrez **JAMAIS** les fentes, trous ou passages situés au bas du four et évitez de recouvrir entièrement une grille avec des matériaux tel que le papier d'aluminium. Cela a pour effet de bloquer la circulation d'air à l'intérieur du four et peut causer un empoisonnement à l'oxyde de carbone. Le papier d'aluminium peut également emprisonner la chaleur et causer ainsi un risque d'incendi.

- Cet appareil électroménager est destiné à la cuisson. N'utilisez jamais le four ou la table de cuisson pour réchauffer ou chauffer une pièce. Une telle utilisation peut endommager les pièces de la table de cuisson ou du four.



AVERTISSEMENT! N'utilisez **JAMAIS** cet appareil comme appareil de chauffage pour chauffer la pièce. Cela pourrait entraîner un empoisonnement à l'oxyde de carbone et une surchauffe du four.

- Durant l'utilisation de la table de cuisson : ne touchez pas les grilles des brûleurs ou les surfaces adjacentes. Ces surfaces peuvent devenir suffisamment chaudes pour provoquer des brûlures.
- Durant l'utilisation du four, évitez de toucher les surfaces intérieures du four, la surface extérieure autour de la porte et la garniture arrière. Les poignées de lèchefrite situées directement au-dessus de la porte du four peuvent être chaudes si le four a fonctionné avec la porte ouverte ou si quelque chose a empêché la porte de se fermer. Faites attention lorsque vous retirez les lèchefrites (modèles GD et GL seulement) si le four a été allumé ou s'il l'est actuellement. Les lèchefrites deviennent chaudes quand le four est allumé. Ne retirez pas les lèchefrites avant qu'elles aient refroidi.
- Ne laissez jamais la table de cuisson sans surveillance lorsque vous cuisinez à flamme haute. Un débordement par bouillonnement pourrait produire de la fumée et un déversement graisseux qui pourrait prendre feu. Et, ce qui est plus grave, si les flammes des brûleurs sont étouffées par un débordement important affectant l'allumeur, le gaz non brûlé s'échappera dans la pièce.
- Seuls certains types d'ustensiles en verre, vitrocéramique calorifugée, céramique, poterie ou émaillés sont appropriés pour être utilisés sur la table de cuisson. Ce genre d'ustensile peut se briser à la suite de changements de température soudains. Utilisez-les seulement à feu doux ou moyen selon les instructions du fabricant. Il est recommandé d'utiliser des ustensiles de cuisine professionnels.
- Ne chauffez pas de contenant de nourriture fermé car la pression pourrait s'accumuler et le faire exploser.
- Durant la cuisson, réglez la commande du brûleur de sorte que la flamme ne chauffe que le fond du récipient et ne le dépasse jamais. Cela pourrait sinon chauffer ou faire fondre les poignées.
- Servez-vous toujours d'ustensiles à fond plat suffisamment larges pour couvrir les brûleurs. L'utilisation d'ustensiles trop petits risque d'offrir un contact direct à la flamme et de mettre le feu aux vêtements.
- Afin de réduire le risque de brûlures, d'allumage de matériaux inflammables et de déversement involontaire, tournez les poignées des ustensiles vers l'intérieur afin qu'elles ne surplombent pas les surfaces de travail adjacentes, les zones de cuisson et le bord extérieur de la table de cuisson.
- Tenez la poignée du récipient afin d'empêcher tout mouvement de l'ustensile lorsque vous retournez ou remuez la nourriture.
- La graisse est inflammable. Laissez toute graisse chaude refroidir avant d'essayer de la manipuler. Évitez de laisser la graisse s'accumuler autour des brûleurs de la table de cuisson. Nettoyez après chaque utilisation ou déversement.

MESURES DE SÉCURITÉ ET DE PRÉCAUTION

- Pour assurer un bon allumage et une bonne performance des brûleurs de la table de cuisson, gardez leurs ports dans un état propre. Il peut s'avérer nécessaire de nettoyer ceux-ci en cas de débordement ou lorsque le brûleur ne s'allume pas, même si les allumeurs électroniques cliquent.
- N'utilisez pas le gril pour cuire des viandes ou des produits très gras pouvant alimenter les flammes. N'utilisez pas d'ustensiles de cuisson dans le gril.
- Nettoyez la table de cuisson avec précaution. Évitez de vous brûler à la vapeur : n'utilisez pas d'éponge ou de linge mouillé pour nettoyer l'appareil alors qu'il est encore chaud. Certains produits de nettoyage dégagent des vapeurs nocives au contact d'une surface chaude. Respectez le mode d'emploi du fabricant du produit de nettoyage.
- Assurez-vous que les boutons de la cuisinière ou de la table de cuisson sont fermés et que l'appareil est froid avant d'utiliser des nettoyants aérosol sur l'appareil ou à proximité. L'élément chimique qui produit le jet de vaporisation peut, en présence de chaleur, s'enflammer ou provoquer la corrosion des parties métalliques.
- Placez les grilles de four à la position voulue quand le four est froid. Si vous devez déplacer une grille alors que le four est encore chaud, ne laissez pas les gants isolants toucher l'intérieur chaud du four.
- Faites attention lorsque vous ouvrez la porte du four; laissez s'échapper l'air chaud ou la vapeur avant de retirer ou remplacer les aliments.
- Évitez de frotter, endommager, déplacer ou enlever le joint de la porte, car il est essentiel à l'obtention d'une bonne cuisson. Lavez le joint avec de l'eau chaude seulement.
- Nettoyez fréquemment la hotte et les filtres de ventilation surplombant la cuisinière ou table de cuisson afin d'empêcher toute accumulation de graisse provenant des vapeurs de cuisson. Le filtre peut être nettoyé dans un lave-vaisselle ou un dishdrawer. Respectez le mode d'emploi du fabricant du produit de ventilation en ce qui a trait au nettoyage.
- ÉTEIGNEZ le ventilateur en cas d'incendie ou si vous flambez intentionnellement des liqueurs ou des spiritueux sur la table de cuisson. Si le ventilateur est en marche, il pourrait en effet répandre les flammes.
- ÉVITEZ de bloquer la circulation de l'air de combustion ou de ventilation. Assurez toujours un apport d'air frais.
- Pour des raisons de sécurité et pour ne pas endommager l'appareil, évitez de vous asseoir, de vous tenir debout ou de vous appuyer contre la porte du four ou la surface de cuisson.
- Les réparations doivent être effectuées par des techniciens agréés uniquement. Ceux-ci doivent débrancher le bloc d'alimentation avant de travailler sur l'appareil.



AVERTISSEMENT!

Proposition 65 de la Californie - L'incinération de gaz de cuisson génère des sous-produits considérés par l'État de Californie comme pouvant causer le cancer ou des malformations congénitales. Les lois de Californie exigent que les entreprises avertissent leurs clients qu'ils risquent d'être exposés à de telles substances. Pour minimiser l'exposition à ces substances, faites toujours fonctionner l'appareil conformément aux instructions contenues dans ce manuel et assurez une bonne ventilation lorsque vous cuisinez au gaz.

RECOMMANDATIONS CONCERNANT LE BRANCHEMENT DU GAZ :

Un robinet manuel doit être installé à l'extérieur de l'appareil, sur le devant, dans un endroit accessible, afin de permettre de couper le gaz. La conduite d'alimentation ne doit pas dépasser l'arrière de l'appareil. Avant de brancher l'appareil, prenez soin de couper le gaz par le robinet mural.

Toutes les connexions d'alimentation en gaz doivent être effectuées par un technicien qualifié conformément aux codes et règlements en vigueur. En l'absence d'une réglementation locale, l'installation doit être conforme à la dernière édition du National Fuel Gas Code ANSI Z223.1.

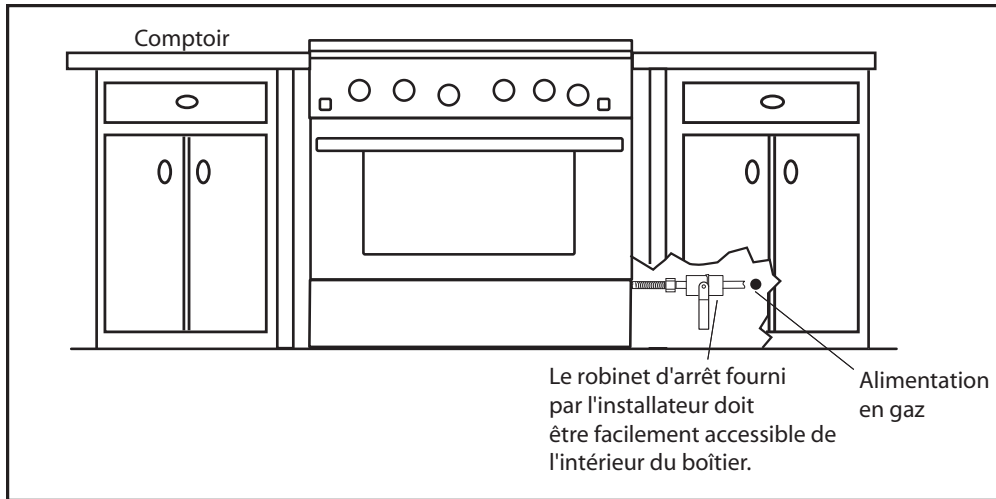
REMARQUE :

Ce produit doit être installé par un plombier ou ajusteur d'appareils à gaz agréé si l'installation a lieu au sein du Commonwealth du Massachusetts.

REMARQUE : *(obligatoire dans l'état du Massachusetts)*

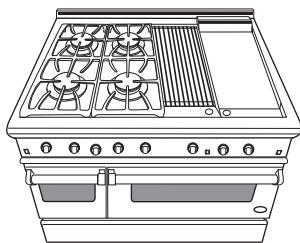
Une méthode alternative d'alimentation en gaz doit être installée dans l'appareil.

MESURES DE SÉCURITÉ ET DE PRÉCAUTION

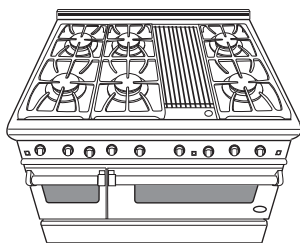


IDENTIFICATION DU MODÈLE

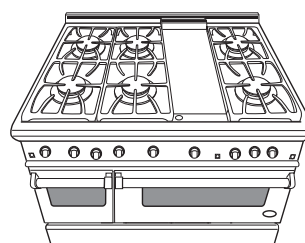
MODÈLES DE CUISINIÈRES 48 PO RGT



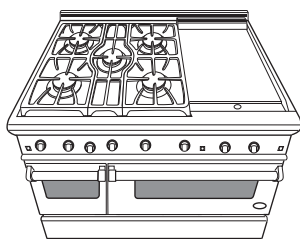
RGT-484GG



RGT-486GL

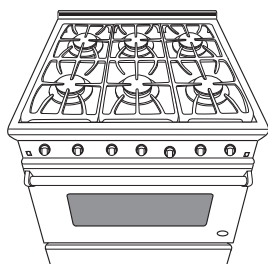


RGT-486GD

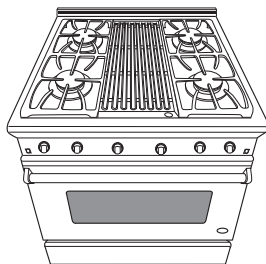


RGT-485GD

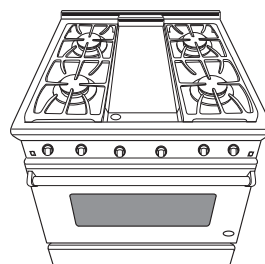
MODÈLES DE CUISINIÈRES 36 PO RGT



RGT-366

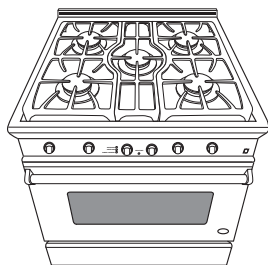


RGT-364GL



RGT-364GD

MODÈLES DE CUISINIÈRES 30 PO RGT



RGT-305

AVANT D'UTILISER VOTRE APPAREIL

1. Retirez tout le matériel d'emballage et les étiquettes de l'appareil. Si un technicien n'a pas installé votre appareil, faites-le maintenant. Vérifiez que vous disposez de tous les éléments suivants :

TABLE DE CUISSON

- Couvercle de la plaque chauffante - (modèles RGT-364GD, RGT-486GD, RGT-485GD et RGT-484GG seulement)
- Couvercle du gril - (RGT-364GL, RGT-484GG et RGT-486GL)
- Grilles du gril, 2 morceaux - (modèles RGT-364GL, RGT-486GL et RGT-484GG seulement)
- Ensembles de brûleurs, capuchons de brûleurs et grilles (5 brûleurs sur les modèles RGT-305 et RGT-485GD seulement, 4 brûleurs sur les modèles RGT-364 et RGT-484, 6 sur les modèles RGT-486GD, RGT-486GL et RGT-366)
- Plateau radiant - contient les tiges en céramique du gril - (modèles RGT-364GL, RGT-486GL et RGT-484GG seulement)
- Un ramasse-gouttes amovible (seuls les modèles à plaque chauffante et gril sont dotés de cuvettes ramasse-gouttes qui recueillent la graisse)

FOUR DE 24 ET 27 POUCES :

- Un gril-lèche-frite en deux morceaux
- Trois grilles du four

FOUR DE 12 POUCES :

- Un gril-lèche-frite en deux morceaux
- Deux rails latéraux amovibles
- Deux grilles du four

REMARQUE :

Si des éléments de la liste de contrôle manquent, contactez DCS au (888) 936-7872. Veuillez avoir à portée de main le numéro de modèle et de série ainsi qu'une description du produit que vous avez acheté.

Concernant l'utilisation de papier d'aluminium dans une cuisinière DCS : n'utilisez pas de papier aluminium pour recouvrir les grilles ou le four. Cela pourrait emprisonner la chaleur, ce qui peut endommager le four et empêcher la bonne cuisson des aliments.

2. Placez les grilles du four dans la bonne position avant d'allumer le four. Consultez votre recette pour connaître la bonne position de la grille. La position la plus utilisée est la position numéro 2 (les aliments doivent être au centre du four pour que l'air puisse circuler). Les positions des grilles sont numérotées de bas en haut comme les étages d'un bâtiment (fig. 01).
3. Avant de cuire au four ou de griller : Allumez un par un les brûleurs du four et du gril pendant 20 à 30 minutes chaque. Ceci permet de brûler les huiles de fabrication utilisées en usine. Mettez le brûleur du four sur 230 °C (450 °F) et celui du gril sur « BROIL ». Mettez en marche le ventilateur au-dessus de la cuisinière pendant que les brûleurs sont allumés, car ceux-ci dégagent une certaine odeur.

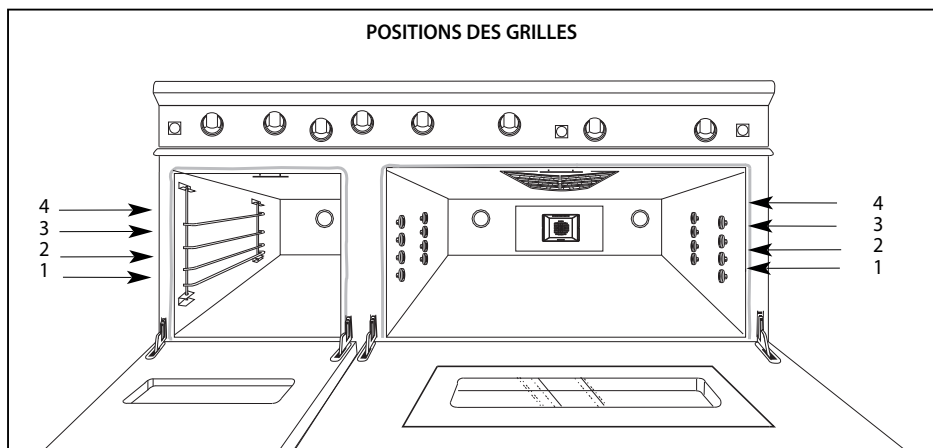


Fig. 01

AVANT D'UTILISER VOTRE APPAREIL

POUR INSÉRER LES GRILLES DU FOUR DANS LE FOUR DE 12 PO :

1. Tenez la grille avec le rail de sécurité arrière relevé et dirigé vers le fond du four. Glissez-la dans le four de manière à ce que les coulisses de la grille se trouvent entre la grille et les guides de celle-ci.
2. Tout en glissant la grille dans le four, inclinez légèrement le devant de la grille vers le haut de façon à dégager les butées de sécurité, situées à l'arrière de la grille, des coulisses de la grille (voir Fig. 02). Les butées de sécurité empêchent la grille de sortir complètement du four lorsqu'on la tire vers l'extérieur.

POUR INSÉRER LES GRILLES DU FOUR DANS LES FOURS DE 24 ET 27 PO :

1. Tenez la grille avec la butée de sécurité arrière en position relevée et dirigé vers le fond du four. Glissez-la dans le four de manière à ce que les coulisses de la grille s'engagent sur les roulettes.
2. Tout en glissant la grille dans le four, inclinez légèrement la grille vers le haut (voir Fig. 03) de façon à ce que les butées de sécurité, situées à l'arrière de la grille, glissent sur les roulettes et s'enfoncent dans le four. Les butées de sécurité empêchent la grille de sortir complètement du four lorsqu'on la tire vers l'extérieur.

POUR RETIRER OU REPOSITIONNER LES GRILLES :

1. Tirez la grille vers l'avant.
2. Soulevez le devant de la grille de façon à dégager les butées de sécurité des coulisses et des roulettes de la grille.
3. Tirez la grille vers l'avant.

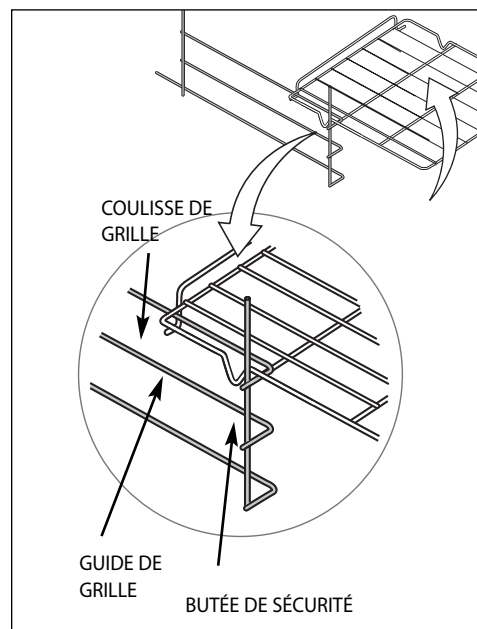


Fig. 02

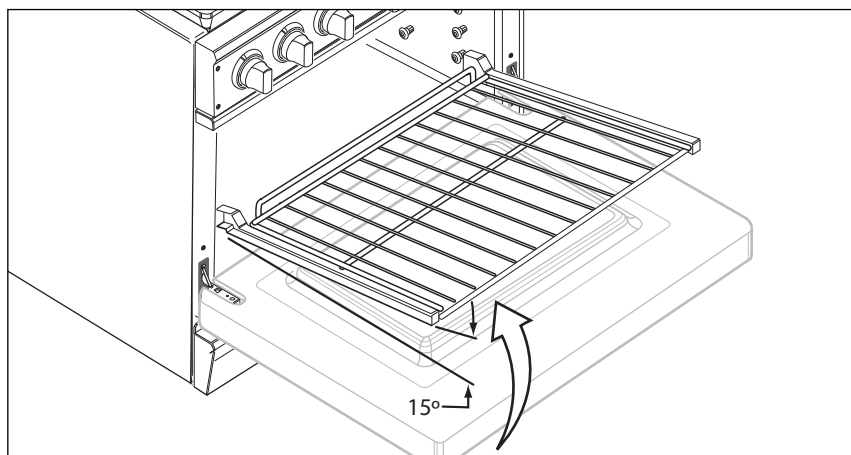


Fig. 03

UTILISATION DE LA TABLE DE CUISSON

BRÛLEURS

Votre nouvelle cuisinière à gaz professionnelle est équipée de brûleurs similaires à ceux que l'on utilise dans les restaurants. Ces brûleurs sont conçus pour être extrêmement faciles à nettoyer et régler. Le gros capuchon diffuse la chaleur du brûleur de mijotage pour éviter une trop forte concentration de chaleur au centre du récipient. La flamme de mijotage est toujours allumée lorsque le brûleur est en cours d'utilisation. Ne faites jamais fonctionner le brûleur sans son capuchon. Tous les brûleurs sont dotés d'un système de rallumage électronique, ce qui évite d'avoir des veilleuses toujours allumées. Si la flamme s'éteint alors que le brûleur est allumé, elle se rallume automatiquement.

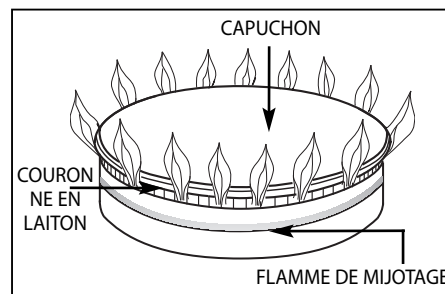
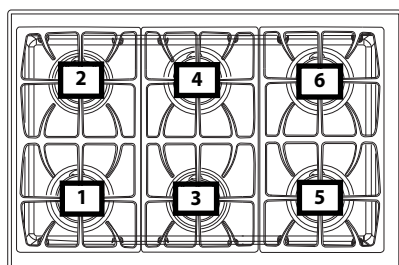


Fig. 04

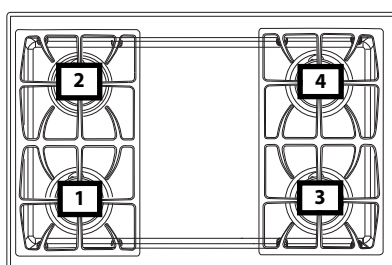
CUISSON À PETIT FEU

Votre nouvelle table de cuisson professionnelle est dotée d'une capacité de cuisson à petit feu exceptionnelle. Le gros capuchon agit comme un diffuseur de chaleur qui empêche que la chaleur ne se concentre en un seul point. N'oubliez pas que, du fait de la forte capacité calorifique de la « flamme de maintien » et de la masse des grilles de brûleurs en fonte (celles-ci conservent la chaleur plus longtemps que les grilles conventionnelles, plus légères), certains aliments peuvent continuer à cuire par l'action de la chaleur retenue après que le brûleur est éteint. Si la flamme venait à s'éteindre sous l'effet d'un courant d'air ou d'un débordement par bouillonnement, elle se rallumerait automatiquement en même temps que le brûleur principal.

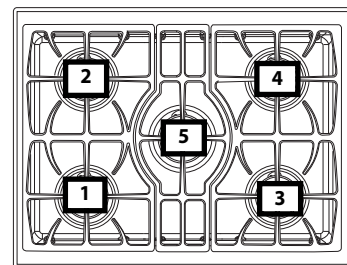
Emplacement du brûleur	BTUH max.		BTUH pour cuisson à petit feu/mijotage	
	Gaz nat.	Gaz prop.	Gaz nat.	Gaz prop.
1	17 500	15 000	500-1 200	500-1 200
2	12 500	12 500	500-1 200	500-1 200
3	12 500	12 500	500-1 200	500-1 200
4	17 500	15 000	500-1 200	500-1 200
5	17 500	15 000	500-1 200	500-1 200
6	17 500	15 000	500-1 200	500-1 200



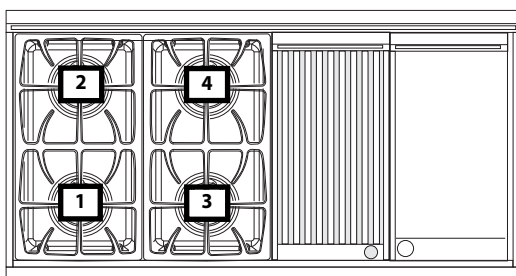
SECTION DE TABLE DE CUISSON RGT-366



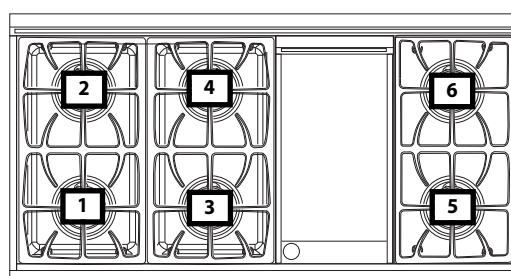
SECTION DE TABLE DE CUISSON RGT-364



SECTION DE TABLE DE CUISSON RGT-305 ET 485



SECTION DE TABLE DE CUISSON RGT-484



SECTION DE TABLE DE CUISSON RGT-486

UTILISATION DE LA TABLE DE CUISSON

ALLUMEURS ÉLECTRONIQUES

Si un brûleur ne se rallume pas, écoutez s'il y a un déclic. Si l'allumeur ne clique pas, ÉTEIGNEZ LE BRÛLEUR. Vérifiez dans le panneau à disjoncteurs si un fusible est grillé ou un disjoncteur s'est déclenché. Si l'allumeur ne fonctionne toujours pas, consultez la page 31, « Avant d'appeler le service technique ». Pour allumer le brûleur manuellement, consultez la page 27, « Panne d'alimentation ».

REMARQUE :

il se peut qu'un léger crépitement ou flash se produise au niveau des ports de brûleur quelques secondes après que le brûleur soit éteint. Ce bruit d'extinction est normal dans le cas du gaz propane.

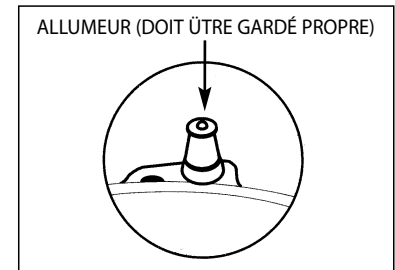


Fig. 05

EFFICACITÉ DES BRÛLEURS ET CARACTÉRISTIQUES DE LA FLAMME

Il est nécessaire de maintenir les ports des brûleurs et les allumeurs dans un état de propreté afin d'assurer l'allumage correct et le rendement optimal des brûleurs de la table de cuisson (Fig. 05). La flamme doit encercler complètement le brûleur sans bruit ou élévation excessive. Les flammes doivent être bleues et stables, sans pointe jaune. Un mauvais mélange d'air et de gaz peut entraîner un fonctionnement irrégulier du brûleur ou produire une flamme à pointe jaune. Durant l'utilisation initiale, la présence de particules étrangères dans la conduite de gaz ou de poussière dans l'air à proximité de l'appareil peut produire une flamme orange. Ceci disparaît avec l'usage.

HAUTEUR DE LA FLAMME

La hauteur correcte de la flamme dépend essentiellement des dimensions du fond de l'ustensile de cuisson, du matériau de l'ustensile, de la quantité et du type de nourriture, et de la quantité de liquide dans l'ustensile. Voici quelques règles de base pour sélectionner la hauteur de flamme.

- Pour des raisons de sécurité, la flamme ne doit jamais dépasser le fond du récipient. Ne laissez jamais les flammes lécher les parois de l'ustensile de cuisson (voir Fig. 06). Ceci décolorera ou endommagera l'ustensile.
- Les ustensiles qui conduisent lentement la chaleur (tels que ceux en vitrocéramique) doivent être utilisés avec un feu doux ou moyen. Vous pouvez augmenter légèrement le feu si le volume de liquide est important.
- Gril : La flamme du gril doit être de couleur bleue avec une épaisseur d'environ 3 mm (1/8 po) (Fig. 07). Ceci est réglé en usine afin d'assurer un bon rendement.

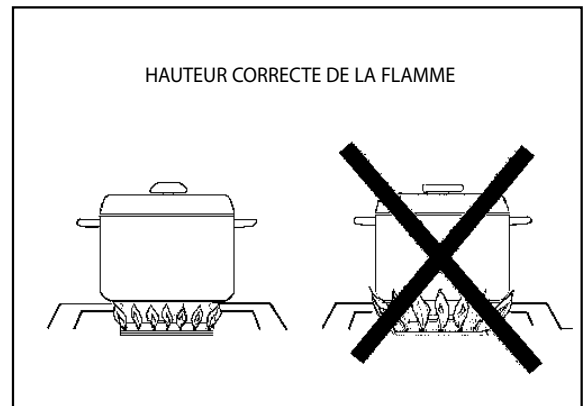


Fig. 06

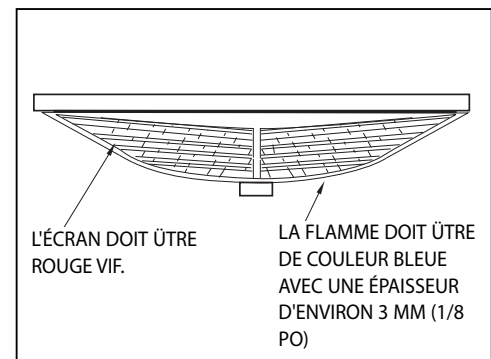


Fig. 07

BRÛLEURS DE TABLE DE CUISSON

Les brûleurs de table de cuisson doivent être gardés propres. Le nettoyage des brûleurs de table de cuisson doit comprendre l'allumeur. Les brûleurs à tête scellée de la table de cuisson permettent un réglage continu de la flamme et leurs boutons de réglage ne comportent pas de position fixe entre les niveaux HI et LO. Pour allumer le brûleur à tête scellée de la table de cuisson, enfoncez le bouton de réglage et tournez-le vers la gauche à la position LITE. Vous devriez entendre un déclic. Une fois le gaz allumé par l'allumeur électronique, tournez le bouton au réglage voulu. (Le déclic devrait s'arrêter dès que le brûleur s'allume.)



AVERTISSEMENT!

Quand vous allumez un brûleur de table de cuisson, prenez soin de vous arrêter à la position LITE avant de sélectionner un niveau de flamme pour la cuisson. Si le brûleur n'est pas allumé et qu'il est réglé au-delà de la position LITE (sur HI, MEDIUM ou LO), un éclat de flamme peut se produire lorsque le brûleur finit par s'allumer.

UTILISATION DE LA TABLE DE CUISSON

GRILLES DES BRÛLEURS

Les grilles des brûleurs sont en fonte robuste. Ils ont une surface plane, ce qui permet de déplacer facilement de gros récipients d'un brûleur à l'autre. Elles sont constituées en sections, ce qui permet de les retirer et nettoyer facilement. (Voir Fig. 08 et 09)

USTENSILES

Nous vous recommandons d'utiliser des ustensiles professionnels pour obtenir les meilleurs résultats possibles. Vous en trouverez dans les grands magasins de qualité, les boutiques spécialisées ou les fournisseurs en restauration. Si vous utilisez des ustensiles ordinaires, faites très attention s'ils possèdent des manches en plastique, car ces brûleurs de format professionnel ont une puissance de feu capable de faire fondre ou d'enfler les manches.

BOUTONS DE RÉGLAGE

Les boutons de réglage sont clairement associés aux brûleurs qu'ils contrôlent. Les boutons de réglage de la table de cuisson sont étiquetés et situés à l'avant des brûleurs. Le contrôleur du four est placé légèrement plus bas que les autres boutons de réglage. Ceci est dû aux dimensions physiques des thermostats de type commercial utilisés sur ce produit (voir Fig. 10).

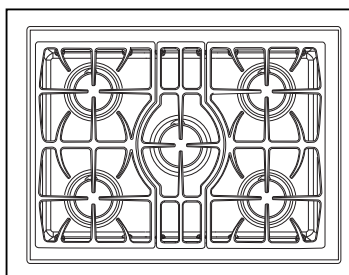


Fig. 08 (modèles 305 et 485)

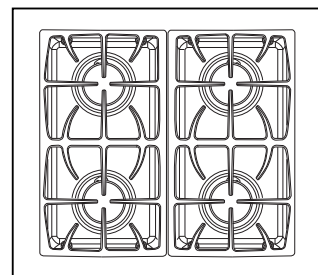


Fig. 09 (modèles 36 et 48 po)

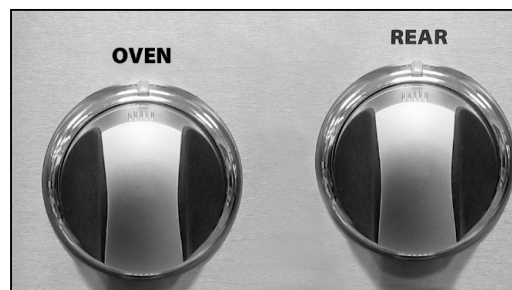


Fig. 10

ANNEAU DE WOK (vendu séparément)

Un anneau de Wok est disponible comme accessoire pour votre nouvel appareil électroménager DCS. Pour acheter un anneau de Wok comme accessoire (modèle n° WRS) pour l'utiliser avec votre cuisinière ou table de cuisson, veuillez contacter un distributeur DCS agréé. Cet anneau est en fonte avec une finition en émail de porcelaine. Il peut être utilisé avec le wok DCS modèle CW ainsi que la plupart des woks vendus dans le commerce. Pour utiliser l'anneau, placez-le sur la grille du brûleur choisi. Les languettes verticales de l'anneau doivent être alignées avec les doigts principaux de la grille. Les petites protubérances sur la surface inférieure de l'anneau doivent surmonter les doigts de la grille pour empêcher l'anneau de tourner durant la cuisson. Voir Fig. 11. La partie inférieure du wok doit être soutenue et retenue par les languettes verticales de l'anneau.

Pour assurer un rendement optimal sur les cuisinières modèle 305 de 36 et 48 po, placez l'anneau et le wok sur les brûleurs occupant les positions 1, 4, 5, 6 (voir la page 9) car ce sont les plus puissants. Pour nettoyer l'anneau de Wok, mettez-le dans le lave-vaisselle après utilisation. Pour éliminer les éclaboussures et aliments séchés, laissez tremper pour les ramollir, puis lavez comme d'habitude.

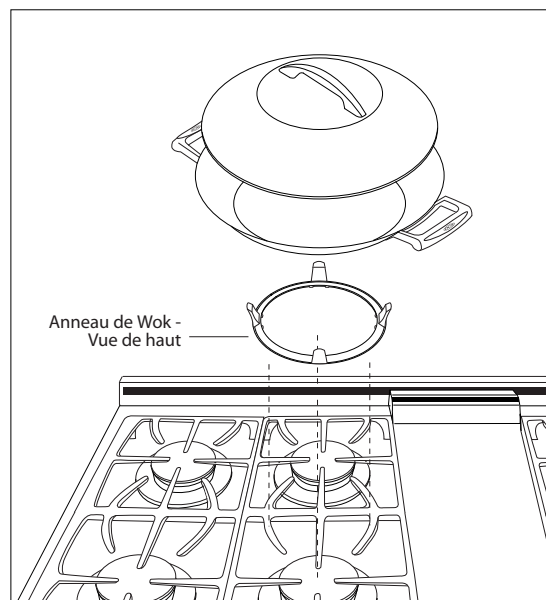


Fig. 11

UTILISATION DU GRIL

GRIL

Les deux grilles du gril sont réversibles (voir fig. 12). Les grilles du gril sont en acier inoxydable durable. Un côté de la grille comporte des arêtes (côté A); il est conçu pour laisser passer la graisse provenant d'aliments gras (ex. bifteck ou galettes de hamburger). Les arêtes sont inclinées afin que le gras s'écoule vers l'avant du gril et se dirige facilement vers la section la plus froide du ramasse-gouttes, loin de la chaleur intense du brûleur. L'autre côté de la grille (côté B) est conçu pour les aliments qui exigent un plus grand support durant la cuisson (du poisson ou des légumes p. ex.). Les aliments cuits sur le gril ont la même saveur que ceux que l'on cuit sur un gril de plein air. La chaleur intense produite par les tiges en céramique caramélise les matières grasses et les jus qui sont amenés à la surface des aliments, et leur donnent une saveur de barbecue.

BOBINE D'ALLUMAGE ÉLECTRIQUE LUMINEUSE

Les brûleurs de gril au four et de gril sont équipés d'une bobine d'allumage électrique lumineuse et d'une valve de sécurité qui met le feu au gaz. Vous remarquerez un délai de 30 à 90 secondes après l'allumage du bouton de réglage, avant que vous n'entendiez le brûleur s'allumer. Le brûleur s'allume en moins de 4 secondes après l'arrivée du gaz au brûleur.

REMARQUE :

la cuisson à l'aide de ce gril à gaz peut être un peu plus rapide que vous n'en avez l'habitude. Par conséquent, ajustez le temps nécessaire pour préchauffer et griller.

TIGES EN CÉRAMIQUE

À condition d'être bien entretenue, la rangée de tiges en céramique sous les grilles du gril peut durer plusieurs années. Celles-ci sont montées sur le plateau radiant en usine, prêtes à être installées dans le foyer, sous les grilles du gril. Prenez soin de retirer tout le matériel d'emballage du plateau radiant et des tiges avant d'utiliser le gril. Une fois refroidis, videz les résidus d'aliments brûlés et les cendres du plateau radiant en les secouant dans une poubelle. Les tiges en céramique peuvent s'écailler ou se fissurer à mesure qu'elles deviennent cassantes avec l'âge, selon la fréquence d'utilisation. Ceci est tout à fait normal et n'affecte pas la cuisson. Ne remplacez pas le plateau radiant et les tiges en céramique par d'autres produits. Communiquez avec DCS pour obtenir des pièces de rechange d'origine en composant le 1-888-936-7872 ou consultez la page 1 pour obtenir nos coordonnées.

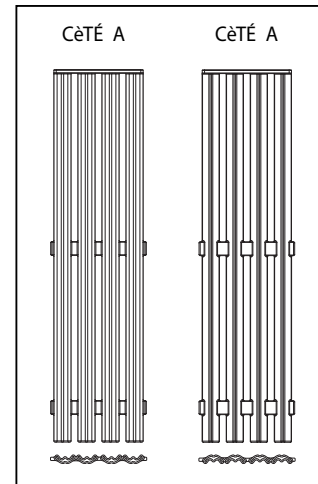


Fig. 12

UTILISATION DU GRIL

Avant d'entamer la cuisson sur le gril, assurez-vous que le ramasse-gouttes et les cuvettes sont en place et que les grilles du gril sont tournées vers le côté que vous désirez griller. Mettez le bouton de réglage sur « HI » et préchauffez le gril pendant 15 minutes. Placez les aliments sur le gril. Grillez selon le degré de cuisson voulu. Le bouton de réglage peut être réglé à n'importe quelle position entre « HI » et « LO ». La cuisson sur gril exige un feu vif pour rôtir les aliments et les braiser correctement. Cependant, pour griller de gros morceaux de viande ou de volaille, vous devrez peut-être baisser le feu à niveau moyen ou faible après le braisage initial. Cela permet de cuire la nourriture sans en brûler l'extérieur. Pour les aliments arrosés d'une marinade sucrée ou d'une sauce barbecue, il est bon de réduire le feu vers la fin du temps de grillage. Ne laissez pas le gril sans surveillance lorsqu'il est allumé. Une fois le grillage terminé, laissez refroidir le ramasse-gouttes avant de le nettoyer. Vous devez les nettoyer après chaque utilisation.

REMARQUE :

Plus le gril est préchauffé, plus les marques du gril sont prononcées.

ÉRUPTION EXCESSIVE DES FLAMMES

Les gouttes de graisse peuvent parfois prendre feu. Dans ce cas, elles produisent des flammèches pendant une ou deux secondes. Ceci est normal quand on cuit sur le gril. Conservez une bouteille d'eau munie d'un vaporisateur afin de pouvoir arroser les flammes en cas de besoin. Si les flammes sont excessives, retirez les aliments du gril. Réduisez le niveau du feu. Remplacez les aliments une fois les flammes maîtrisées. Pour éviter les éruptions de flammes, coupez le gras autour des bords de bifteck et de côtelette, utilisez du hamburger maigre, enlevez le gras de la volaille, etc. Lorsque vous retournez une sorte de viande ou de volaille quelconque, la graisse fondue s'égoutte sur les tiges en céramique et peut produire une éruption de flammes. Si cela se produit, servez-vous d'une spatule à long manche pour déplacer les aliments.

UTILISATION DU GRIL

CONSEILS DE CUISSON

Pour griller des aliments, mettez le ventilateur sur « HI » afin d'éliminer la fumée et les odeurs. Le ventilateur peut être mis sur « LO » une fois la cuisson terminée afin d'éliminer le reste de la fumée.

Le degré de cuisson d'une viande dépend de l'épaisseur des morceaux. Il est impossible d'obtenir un degré de cuisson saignant avec un morceau de viande mince. Un bifteck doit avoir une épaisseur d'au moins 2,5 cm (1 po) pour qu'il soit saignant et juteux. Le temps de cuisson est affecté par la température de la viande au début de la cuisson, les dimensions et la forme du morceau, et la sorte de viande cuite. Le degré de cuisson désiré affecte également le temps de cuisson.

Utilisez toujours une spatule ou des pincettes pour retourner la viande afin de ne pas la percer et laisser le jus s'échapper. Ceci permet de conserver le jus de la viande. Retournez la viande une fois seulement car le jus se perd si elle est retournée plusieurs fois. N'oubliez pas d'enlever l'excès de gras de la viande et de la volaille. Pour empêcher les biftecks ou les côtelettes de se replier durant la cuisson, faites des entailles dans le gras, le long des bords, par intervalles de 5 cm (2po). Pour vérifier le degré de cuisson, faites un petit trou au centre de la viande.

UTILISATION DE LA PLAQUE CHAUFFANTE

La plaque chauffante intégrée de votre table de cuisson est faite en acier inoxydable de type 304 hautement poli, ce qui donne une surface de cuisson lisse. Il est normal qu'elle noircisse à l'usage car les huiles cuisent en surface et forment une base antiadhésive (« conditionnement »). Comme la plaque chauffante est en acier inoxydable, sa surface ne rouille pas. Le brûleur de la plaque chauffante comporte un réglage thermostatique et s'allume et s'éteint de façon à maintenir la température choisie. Le voyant « Heating » indique que le brûleur est allumé. Le voyant READY indique que la plaque chauffante est à la température choisie. Ne retirez pas la plaque chauffante pour le nettoyage; elle est retenue par deux vis à l'avant et une à l'arrière qui servent surtout à empêcher la plaque de bouger durant le transport et éviter que des éléments d'allumage ne se brisent. Une fois l'appareil installé, vous pouvez retirer la vis arrière. Elle est située sous le couvercle du carneau de la plaque chauffante; soulevez-le pour le retirer (en faisant attention de ne pas égratigner le dossier). Retirez la vis de transport centrale. Les deux vis extérieures sont des vis d'inclinaison (Fig. 13). Vous pouvez les visser pour mettre de niveau la plaque chauffante ou l'incliner vers l'avant pour faciliter l'évacuation des graisses et des huiles des aliments en train de cuire. Après quelques ajustements, vous pourrez juger de la meilleure inclinaison à donner en fonction des aliments cuits.

BOBINE D'ALLUMAGE ÉLECTRIQUE LUMINEUSE

Les brûleurs de plaque chauffante au four et de gril sont équipés d'une bobine d'allumage électrique lumineuse et d'une valve de sécurité qui met le feu au gaz. Vous remarquerez un délai de 30 à 90 secondes après l'allumage du bouton de réglage, avant que vous n'entendiez le brûleur s'allumer. Le brûleur s'allume en moins de 4 secondes après l'arrivée du gaz au brûleur.

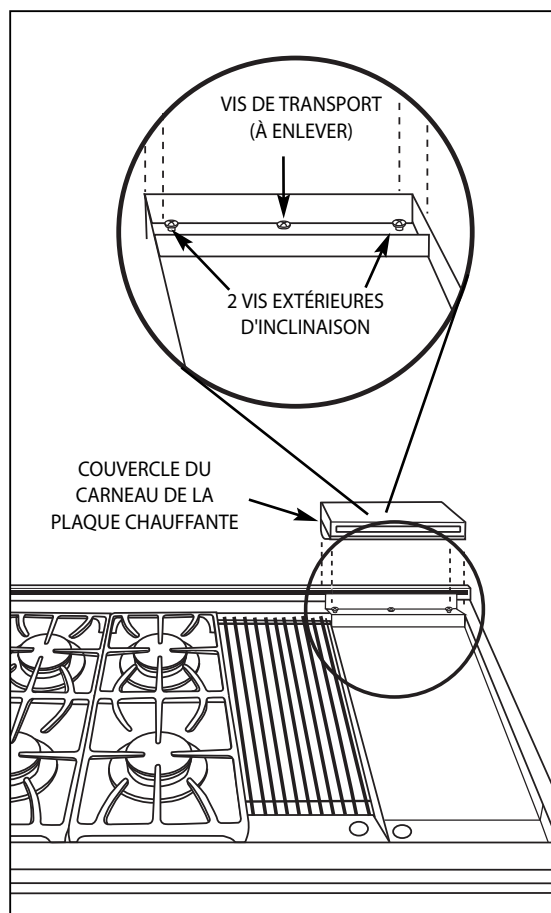


Fig. 13

UTILISATION DE LA PLAQUE CHAUFFANTE

AVANT D'UTILISER LA PLAQUE CHAUFFANTE POUR LA PREMIÈRE FOIS OU POUR LA CONDITIONNER DE NOUVEAU

1. Nettoyez la plaque chauffante avec de l'eau savonneuse chaude afin d'éliminer toute couche de protection.
2. Rincez avec un mélange composé d'une tasse d'eau et d'un quart de tasse de vinaigre blanc. Séchez soigneusement.
3. Versez 1 c. à t. d'huile végétale au centre de la plaque chauffante (évitiez l'huile de maïs car elle devient collante). Frottez l'huile sur toute la surface de la plaque chauffante à l'aide d'un gros chiffon doux.
4. Mettez le bouton de réglage à niveau moyen (175 °C/350 °F). Coupez le feu lorsque l'huile commence à dégager de la fumée. Laissez refroidir la plaque chauffante.
5. Répétez l'étape 3. Veillez à bien couvrir d'huile toute la surface.
6. Répétez l'étape 4. Laissez refroidir la plaque chauffante. Essuyez toute la surface de la plaque chauffante avec un gros chiffon doux. Appliquez une très mince couche d'huile végétale. Vous pouvez à présent utiliser la plaque chauffante. Si vous n'utilisez pas la plaque chauffante pendant une période prolongée, conditionnez-la de nouveau.

REMARQUE :

il est normal que la plaque chauffante noircisse à l'usage.

UTILISATION DE LA PLAQUE CHAUFFANTE

Avant d'entamer la cuisson sur la plaque chauffante, assurez-vous que le ramasse-gouttes et les cuvettes sont en place. Préchauffez la plaque chauffante pendant 15 minutes en mettant le bouton de réglage à la température suggérée sur le tableau de cuisson. Le voyant HEATING s'éteint et le voyant READY s'allume une fois la plaque chauffante préchauffée. Placez les aliments sur la plaque chauffante et faites-les cuire jusqu'à obtenir le degré de cuisson désiré.

REMARQUE :

Si la plaque chauffante a été conditionnée correctement, elle peut être utilisée sans aucune huile supplémentaire. Vous pouvez toutefois ajouter de l'huile pour donner plus de saveur. L'application d'une mince couche d'huile végétale sur la plaque chauffante froide avant la cuisson permet de tourner les aliments délicats plus facilement.

TABLEAU DE CUISSON DE LA PLAQUE CHAUFFANTE

ALIMENTS	TEMPÉRATURE
Œufs	de 105 à 120 °C (de 225 à 250 °F)
Bacon, jambon, côtelettes de porc	de 150 à 165 °C (de 300 à 325 °F)
Saucisse, sandwichs au fromage fondant	de 165 à 175 °C (de 325 à 350 °F)
Crêpes, pain doré	de 175 à 190 °C (de 350 à 375 °F)
Pommes de terre rissolées	de 205 à 220 °C (de 400 à 425 °F)

UTILISATION DU FOUR

BRÛLEURS DU FOUR

Votre nouvelle cuisinière à gaz professionnelle RGT est équipée de brûleurs à gaz de cuisson au four et de grill. La puissance du brûleur du grill est de 19 000 BTUH sur les modèles RGT. La puissance du brûleur de cuisson du four principal est de 30 000 BTUH sur les modèles 30/36/48 po et de 18 000 BTUH sur le modèle 12 po.

BOBINE D'ALLUMAGE ÉLECTRIQUE LUMINEUSE

Les brûleurs de cuisson au four et de grill sont équipés d'une bobine d'allumage électrique lumineuse et d'une valve de sécurité qui met le feu au gaz. Vous remarquerez un délai de 30 à 90 secondes après l'allumage du bouton de réglage, avant que vous n'entendiez le brûleur s'allumer. Le brûleur s'allume en moins de 4 secondes après l'arrivée du gaz au brûleur.

FOUR

Votre nouveau grand four offre trois modes de cuisson : cuisson par convection, cuisson au four et grillage. Lisez d'abord ces informations afin de déterminer le type de cuisson approprié. Rappelez-vous que ce four est neuf et que la précision de son thermostat a été vérifiée. Il se peut que le thermostat de votre ancien four soit devenu plus chaud ou plus froid avec le temps. Utilisez la durée de cuisson et la température indiquées sur vos recettes et non pas celles que vous utilisiez jusqu'à présent pour compenser le mauvais réglage de votre ancien four. Les modèles RGT-484GG, RGT-486GL, RGT-485GD et RGT-486GD comportent deux fours. Le four de droite est le four à convection. Le petit four à gauche sert à la cuisson normale seulement. Ce four est idéal pour cuire des aliments en petites quantités, lorsque vous ne voulez pas chauffer le grand four.

GRILLES DU FOUR

Tous les fours possèdent (3) grilles de four et 4 positions de grille, à l'exception du four du côté gauche qui comporte 2 grilles de four et 4 positions de grille sur les modèles RGT-484GG, RGT-485GD, RGT-486GL et RGT-486GD.

Remarque :

À propos des supports de grille à roulettes (four de 24 et 27 po seulement) : spécialement fabriqués à base de matériaux résistants à des hautes températures conçus pour le four, ils sont capables d'assurer des années de service. Ils sont particulièrement utiles lorsque les grilles du four supportent des aliments lourds que l'on utilise généralement avec ce type de four à haute capacité. Retirez les grilles avant d'effectuer l'autonettoyage. Voir la page 30 au sujet de l'entretien des supports de grille. Tous les fours sont livrés avec un grill-lèchefrite de deux pièces.

PRÉCHAUFFAGE

Le préchauffage dure 10 à 15 minutes selon la température choisie. C'est généralement requis pour les aliments cuits à haute température pendant une courte durée, par ex. des biscuits à la cuiller. Le voyant HEATING s'éteint et le voyant READY s'allume lorsque le four atteint la température choisie.

CONDENSATION

Une certaine quantité d'humidité s'évapore de la nourriture durant toute cuisson. L'humidité contenue dans les aliments détermine la quantité d'humidité qui se condense dans le four. L'humidité se condense sur toute surface qui est plus froide que l'intérieur du four, tel que le panneau de contrôle ou le dessus de la porte.

MISE EN GARDE!

N'utilisez jamais de papier aluminium pour recouvrir les grilles ou le fond du four. La chaleur emprisonnée peut endommager la porcelaine et l'air chaud ne peut atteindre adéquatement la nourriture qui cuit.

CUISSON PAR CONVECTION

La cuisson par convection consiste en un mode de cuisson où le ventilateur à l'arrière du four fait circuler l'air chaud en continu autour des aliments. Cet air chaud réchauffe et cuit la surface des aliments de manière plus efficace qu'une mode standard. Cela permet de cuire la plupart des aliments à des températures inférieures ou en moins de temps que ne le ferait une cuisson au four à température normale. L'air est maintenu en mouvement et réchauffé. Vous remarquerez une économie de temps particulièrement avec des aliments non couverts nécessitant une plus longue cuisson (gros morceaux de viande par ex.), des aliments pouvant être cuits dans des ustensiles de cuisson peu profonds ou des aliments soufflés. Vous pouvez également sauver du temps en utilisant plusieurs (3) grilles en même temps, car cela permet de cuire plus d'aliments à la fois. Le nombre de recettes nécessitant le préchauffage du four s'en trouve considérablement réduit étant donné que la chaleur atteint la nourriture plus rapidement du fait de la circulation de l'air chaud autour des aliments.

UTILISATION DU FOUR

Aliments appropriés pour la cuisson par convection

■ Hors-d'œuvre ■ Pains ■ Repas au four (1 à 3 grilles) ■ Cookies ■ Plats principaux ■ Rôtis
■ Tartes ■ Volaille ■ Aliments soufflés (gâteau des anges, soufflés, choux à la crème, coquilles de meringue)

Réglage du four

Le mode de cuisson par convection est utilisé pour cuire au four, rôtir ou réchauffer à l'aide de une, deux ou trois grilles. Pour utiliser la cuisson par convection, enfoncez le sélecteur de convection (situé sur le panneau de contrôle), puis tournez le bouton de réglage à la température voulue. Les modèles RGT-484GG, RGT-485GD, RGT-486GL et RGT-486GD comportent deux fours. Le four à gauche sert à la cuisson normale seulement; tournez tout simplement le bouton de réglage à la température voulue.

Conversion des recettes pour la cuisson par convection

Les meilleurs résultats sont obtenus avec des ustensiles de cuisson peu profonds, car l'air chaud peut atteindre les aliments de tous les côtés plus facilement. Laissez la température du four identique à celle de la recette et les aliments seront cuits plus rapidement. La cuisson prendra probablement autant de temps que l'indique la recette même si vous baissez la température de 25 °F. Si vous trouvez que les aliments ont suffisamment brunis à l'extérieur mais qu'ils ne sont pas cuits au centre, abaissez de nouveau la température de 25 °F et augmentez la durée de cuisson. Si vous réduisez la température, vérifiez toujours le degré de cuisson, une minute ou deux avant l'écoulement de la durée minimum indiquée sur la recette, car vous pouvez toujours augmenter la durée de cuisson. Certaines recettes prennent moins de temps que d'autres. Il n'est pas possible de prédire exactement la durée de cuisson de chaque recette lorsqu'on les convertit pour la cuisson par convection. Il vous sera plus facile d'utiliser la convection après quelques essais à mesure que vous comprendrez mieux son fonctionnement.

Sélection des ustensiles pour la cuisson par convection

La cuisson par convection n'exige pas d'ustensiles de cuisson particuliers. Vous disposez probablement de plusieurs ustensiles appropriés dans votre cuisine. Pour en choisir un, tenez compte de son matériau, de ses dimensions et de sa forme, car tout cela affecte la durée de cuisson, la saveur et l'aspect du produit fini. Les plats de cuisson en métal (aluminium, acier et fonte) réduisent la durée de cuisson et donnent un meilleur résultat final.

Les plats en aluminium sont les mieux appropriés pour tout type d'aliment cuit au four. Pour obtenir le meilleur brunissage dans la cuisson de tartes et de pains, utilisez un plat au fini foncé ou terne capable d'absorber la chaleur. Un fini brillant est mieux approprié pour les gâteaux et les biscuits, car il reflète une partie de la chaleur et donne une surface plus tendre. Les plaques à biscuits à une seule lèvre donnent les meilleurs résultats, car elles permettent à l'air chaud de circuler tout autour des aliments. Pour rôtir, utilisez le fond de la lèche-frite et élevez la viande sur une grille à rôtir métallique. Les ustensiles en vitrocéramique ou en verre ne conduisent pas la chaleur aussi bien que le métal, mais vous pouvez les employer. Utilisez-les pour des aliments tels que les soufflés qui n'exigent pas une croûte brun foncé ni d'être croustillants.

La cuisson au four est plus rapide et uniforme si les portions sont plus petites : deux ou trois petits morceaux donnent un meilleur résultat qu'une seule grosse portion. S'il s'agit d'un aliment en un seul morceau, placez-le toujours au centre de la grille. S'il y a plusieurs morceaux, espacez-les uniformément sur la ou les grilles.

Pour obtenir les meilleurs résultats

- Suivez les recommandations ci-dessus.
- Les ustensiles en métal donnent de meilleurs résultats que ceux en verre pour la cuisson par convection. Si vous utilisez du verre, vous n'avez généralement pas besoin de diminuer la température de 25 °F de nouveau.
- Utilisez un minuteur et réglez-le à une durée inférieure à la durée minimum suggérée sur la recette la première fois que vous utilisez une recette en mode de convection. Prenez soin de noter la nouvelle durée de cuisson sur la recette pour consultation future.
- Prenez soin de lire les informations de base au sujet de la convection, à la page 15, avant d'utiliser le four pour la première fois.
- N'oubliez pas que les résultats en matière de cuisson par convection varient selon le type de produit. La cuisson au four normale donne, dans de nombreux cas, de meilleurs résultats que la cuisson par convection.

Position de la grille de cuisson par convection

Il est permis d'utiliser une à trois grilles simultanément durant la cuisson par convection. Placez les grilles dans la bonne position avant d'allumer le four. Rangez les grilles inutilisées hors du four. La position de grille numéro 2 (deuxième à partir du bas) sera probablement plus souvent utilisée pour une cuisson à une grille. Nul besoin de décaler les plats si vous cuisinez avec plusieurs grilles. Laissez toutefois au moins 2,5 cm (1 po) d'espace entre les parois du four et les plats afin que l'air chaud puisse circuler.

UTILISATION DU FOUR

MISE EN GARDE!

N'utilisez jamais de papier aluminium pour recouvrir les grilles ou le fond du four. La chaleur emprisonnée peut endommager la porcelaine et l'air chaud ne peut atteindre adéquatement la nourriture qui cuit.

CUISSON AU FOUR TRADITIONNELLE

Le mode de cuisson normale est utilisé pour cuire au four, rôtir ou réchauffer à l'air chaud, sans ventilateur. Le mouvement d'air provient d'une convection naturelle : à mesure que l'air se réchauffe, il s'élève vers le plafond du four. C'est le même mode que celui que vous utilisiez pour une cuisson sur une ou deux grilles.

Four de 12 po (cuisinières de 48 po seulement)

Le four de 12 po comprend deux grilles de four et des supports de grille à trois positions. Les supports de grille peuvent être enlevés pour le nettoyage. Est également inclus un gril-lèche-frite en aluminium de deux pièces pour faciliter le nettoyage.

Aliments appropriés pour la cuisson au four

- Hors-d'œuvre
- Tartes, gâteaux
- Pains
- Volaille
- Rôtis
- Desserts
- Plats principaux
- Repas au four (1 à 2 grilles))

Pour obtenir les meilleurs résultats

- Utilisez les quantités et les ingrédients de la recette, y compris les dimensions et la forme d'ustensile de cuisson recommandées dans la recette.
- Évitez d'ouvrir la porte « pour jeter un coup d'oeil »; allumez plutôt la lampe intérieure du four et regardez par la fenêtre.
- Évitez d'utiliser le four comme lieu de stockage, particulièrement si vous cuisez au four. Tout ustensile supplémentaire qui ne sert pas à la cuisson peut affecter les aliments, la durée de cuisson, le brunissage et le résultat final.
- Si vous utilisez des ustensiles en verre, diminuez la température de 25 °F.
- Utilisez un minuteur et réglez-le à la durée minimum suggérée sur la recette.

Position de la grille de cuisson au four

Vous pouvez utiliser une ou deux grilles simultanément durant la cuisson. Placez les grilles dans la bonne position avant d'allumer le four. Rangez les grilles inutilisées hors du four. La position de grille numéro 2 (deuxième à partir du bas) sera probablement plus souvent utilisée pour une cuisson à une grille. Si vous utilisez deux grilles en même temps, vérifiez les aliments de la grille inférieure avant que la durée minimum ne s'écoule. Les aliments placés sur la grille inférieure peuvent cuire un peu plus rapidement que ceux de la grille supérieure, en particulier si vous utilisez de gros ustensiles de cuisson. Si vous utilisez deux grilles simultanément, prenez soin de décaler les ustensiles de cuisson pour qu'ils ne soient pas directement l'un au-dessus de l'autre et pour que l'air chaud puisse circuler librement autour de chaque plat. Laissez au moins 2,5 cm (1 po) d'espace entre les parois du four et les plats. Si vous utilisez des ustensiles de cuisson de grand taille ou de format commercial, les aliments prendront peut-être plus de temps à cuire, car l'air ne peut circuler aussi librement qu'avec un petit plat. Si vous employez des ustensiles de cuisson de format commercial, utilisez une grille seulement car la chaleur n'a pas assez d'espace pour circuler.

Réglage du four de 12 po pour la cuisson (modèles de 48 po seulement)

Pour utiliser le four de 12 po pour la cuisson (petit four du côté gauche), mettez le bouton de réglage du thermostat à la température voulue.

- Le voyant « OVEN ON » s'allume.
- Le voyant « HEATING » s'allume.
- Lorsque le voyant « HEATING » s'éteint pour la première fois, le voyant « READY » s'allume indiquant que le four est préchauffé. Une fois le four refroidi, le voyant « READY » s'éteint et le voyant « HEATING » se rallume. Ce processus se répète quand il faut davantage de chaleur.
- Le voyant « OVEN ON » reste allumé jusqu'à ce que le thermostat soit mis en position « OFF ».

UTILISATION DU FOUR

Réglage du four de 24 et 27 po pour la cuisson

- Le voyant « OVEN ON » s'allume.
- Le voyant « HEATING » s'allume.
- Lorsque le voyant « HEATING » s'éteint pour la première fois, le voyant « READY » s'allume indiquant que le four est préchauffé. Une fois le four refroidi, le voyant « READY » s'éteint et le voyant « HEATING » se rallume. Ce processus se répète quand il faut davantage de chaleur.
- Le voyant « OVEN ON » reste allumé jusqu'à ce que le thermostat soit mis en position « OFF ».

GRILLAGE

La cuisson au gril est un type de cuisson qui emploie le chauffage par rayonnement infrarouge intense procuré par le brûleur du gril situé en haut du four. Placez la lèchefrite au centre de la grille pour obtenir de meilleurs résultats.

Aliments appropriés pour le gril

- Brunir : Plats en cocotte, pains
- Hors-d'œuvre
- Viandes
- Volaille
- Poisson

Réglage du four pour le grillage

Tournez le bouton de réglage à droite en position « Broil » (voir Fig. 14). Le brûleur s'allume dès l'arrivée du gaz. Le voyant d'allumage du four « Oven On » s'illumine pour indiquer que le grilloir est en marche. Durant le processus de grillage, le brûleur infrarouge produit une chaleur si intense que le brûleur s'allume et s'éteint afin de maintenir une température intérieure de cuisson à la fois suffisante et sécuritaire. Ce processus est indiqué par les voyants HEATING et READY du panneau des valves lorsqu'ils s'allument et s'éteignent. **La cuisson au gril doit être faite avec la porte du four fermée.** Cela donne une meilleure cuisson tout en gardant la surface extérieure froide pour une utilisation confortable. Lorsque vous vérifiez le degré de cuisson des aliments durant la cuisson au gril, laissez la porte suffisamment ouverte pour vérifier la température ou déterminer le degré de cuisson. Fermez la porte immédiatement après avoir vérifié les aliments.



Fig. 14

Préchauffage

Il n'est pas nécessaire de préchauffer le gril dans la plupart des cas. Pour augmenter le brunissage ou pour des aliments très minces, préchauffez le gril de 5 à 8 minutes.

Utilisation d'un thermomètre à viande pour le gril

Pour déterminer précisément le degré de cuisson d'un bifteck ou d'une côtelette épaisse (4 cm/1-1/2 po d'épaisseur ou plus), utilisez un thermomètre à viande. Introduisez la pointe du thermomètre dans la viande, par le côté, jusqu'au centre. Cuisez le premier côté à 32 °C (90 °F) pour obtenir une viande saignante. Cuisez le premier côté à 38 °C (100 °F) pour obtenir une viande à point ou bien cuite. Cuisez le second côté selon le degré de cuisson voulu; saignant : de 57 à 60 °C (135 à 140 °F); à point : de 66 à 68 °C (de 150 à 155 °F); bien cuit : de 71 à 74 °C (de 160 à 165 °F). La cuisson du porc se fait à 77 °C (170 °F). Votre nouvelle cuisinière est livrée avec une grande lèchefrite en deux morceaux. Utilisez toujours les deux morceaux lorsque vous grillez des aliments. Évitez de recouvrir la grille de papier d'aluminium. Cette grille perforée permet aux gouttes de graisse de s'écouler vers le fond du ramasse-gouttes, loin de la chaleur intense du brûleur infrarouge du gril. Cela contribue à minimiser les vapeurs et éclaboussures provenant des matières grasses.

Position de la grille pour la cuisson au gril

La position des grilles dépend du type et de l'épaisseur des aliments. Les morceaux de viande ou de volaille épais sont généralement grillés à la position de grille numéro 2 ou 3, les biftecks, côtelettes et hamburgers sont généralement grillés sur la position de grille numéro 4 pour les morceaux minces et la position 3 pour les morceaux plus épais. S'il s'agit de brunir un plat en cocotte ou du pain, l'épaisseur des aliments vous indiquera la position de grille à utiliser. Les ragoûts sont généralement brunis à la position de grille numéro 2 ou 3 et le pain à la position 3.

Pour obtenir les meilleurs résultats

- Décongelez les aliments avant la cuisson.
- Utilisez un minuteur et réglez-le à la durée minimum suggérée pour vérifier la nourriture. Les biftecks doivent avoir au moins un pouce d'épaisseur si vous les voulez saignants. Il est difficile d'atteindre un tel degré de cuisson avec une viande plus mince ou d'obtenir des morceaux de viande bien brunis.

UTILISATION DU FOUR

- Après que la moitié de la durée totale de cuisson se soit écoulée, retournez les aliments une fois seulement. Il n'est pas nécessaire de retourner les aliments minces (filet de poisson, tranches de jambon, etc.). Les tranches de foie doivent être retournées.
- Si vous voulez brunir les aliments, utilisez des plats de cuisson en métal ou en vitrocéramique. ÉVITEZ d'utiliser du verre ou de la poterie calorifugée : ce type d'ustensiles ne peut supporter la chaleur intense du brûleur du gril.
- Utilisez une lèchefrite en deux pièces : elle est conçue pour minimiser la fumée et les éclaboussures. Évitez de recouvrir la grille perforée de papier d'aluminium. Ceci aurait pour effet de retenir la graisse et pourrait provoquer un incendie.
- Le gril-lèchefrite doit être placé tout au fond du four et centré sur la grille du four.
- **La cuisson au gril doit être faite avec la porte du four fermée.** Cela donne une meilleure cuisson tout en gardant la surface extérieure froide pour une utilisation confortable. Lorsque vous vérifiez le degré de cuisson des aliments durant la cuisson au gril, laissez la porte suffisamment ouverte pour vérifier la température ou déterminer le degré de cuisson. Fermez la porte immédiatement après avoir vérifié les aliments.

UTILISATION DU FOUR POUR UNE CUISSON LENTE OU À BASSE TEMPÉRATURE

Le four peut servir à garder les aliments chauds, les déshydrater, réchauffer les plats, faire une cuisson lente (dans une mijoteuse par ex.) et décongeler les aliments.

Vous pouvez garder des aliments cuits et chauds à la température de consommation. Réglez le four à la température suggérée sur le tableau de la page 21. La viande saignante doit être consommée dès son retrait du four, car elle continue à cuire sous l'effet de sa propre chaleur.

- Pour garder les aliments humides, couvrez-les de papier d'aluminium ou d'un couvercle.
- Pour déshydrater les aliments, suivez les suggestions de la recette.
- Pour réchauffer les plats, consultez leur fabricant au sujet de la température recommandée.
- Pour utiliser le four pour une cuisson lente, réglez le bouton de réglage du four à 225 °F ; placez la nourriture dans le four dans un plat à couvercle étanche. Suivez les recettes pour ce type de cuisson.
- Pour décongeler des aliments non cuits congelés, réglez le bouton de réglage du four à « warm » (réchauffer). Assurez-vous que les aliments sont bien enroulés dans du papier aluminium. Décongelez les aliments juste assez pour pouvoir les manipuler. Faites-les cuire immédiatement. Évitez de les congeler de nouveau.
- Pour décongeler des aliments cuits congelés, mettez le bouton de réglage du four sur 170 °F. Desserrez l'emballage du congélateur.
- Évitez d'utiliser des enveloppes de plastique ou du papier ciré dans le four.

SALUBRITÉ ALIMENTAIRE!

Le Département de l'agriculture américain stipule que l'on ne doit pas maintenir des aliments entre 4 et 60 °C (40 et 140 °F) pendant plus de 2 heures.

CUISSON À HAUTE ALTITUDE

Les temps de cuisson indiqués sur les recettes et la durée de cuisson varient en haute altitude. Pour obtenir des informations précises à ce sujet, écrivez à l'adresse suivante : Agriculture Extension Service, Colorado State University, Fort Collins, Colorado 80521. Indiquez le type d'informations recherchées et le mode de cuisson (par convection ou normale) voulu, par ex. gâteaux, biscuits, pains, etc. Vous pourriez encourir des frais pour l'obtention de ces informations.

UTILISATION DU FOUR

TEMPÉRATURES DE CUISSON INTERNES

Aliments	Température du four
Œufs et plats aux œufs	
Œufs	Cuire jusqu'à ce que le jaune et le blanc d'œuf soient fermes.
Mets aux œufs	71 °C (160 °F)
Sauces aux œufs, crèmes	71 °C (160 °F)
Viande hachée et mélanges de viandes	
Dinde, poulet	74 °C (165 °F)
Bœuf, veau, agneau, porc	71 °C (160 °F)
Bœuf, veau, agneau frais	
Mi-saignant	63 °C (145 °F)
À point	71 °C (160 °F)
Bien cuit	77 °C (170 °F)
Porc frais	
À point	71 °C (160 °F)
Bien cuit	77 °C (170 °F)
Rôti de bœuf	
Cuisson commerciale, scellé sous vide et prêt à consommer	60 °C (140 °F)

Aliments	Température du four
Volaille	
Poulet, dinde entière	82 °C (180 °F)
Poulet, dinde-viande brune	82 °C (180 °F)
Volaille-blanc	77 °C (170 °F)
Canard et oie	82 °C (180 °F)
Farce	
Cuite seule ou dans la volaille	74 °C (165 °F)
Sauces, soupes, sauces d'arrosage, marinades	
Utilisées avec viande, volaille ou poisson cru	Porter à ébullition
Fruits de mer	
Poisson à nageoires	Cuire jusqu'à ce qu'il devienne opaque et s'écaille facilement à l'aide d'une fourchette.
Shrimp, homard, crabe	Doit devenir rouge et la chair doit devenir blanche opaque.
Coquilles Saint-Jacques	Doivent devenir blanches laiteuses ou opaques et fermes.
Myes, moules, huîtres	Cuire jusqu'à ce que les coquilles s'ouvrent.
Restes	74 °C (165 °F)

UTILISATION DU FOUR

TEMPÉRATURES SUGGÉRÉES POUR GARDER LES ALIMENTS CHAUDS

Aliments	Température du four
Veau/bœuf	
Saignant	65-68 °C (150-155 °F)
À point	68-77 °C (155-170 °F)
Bien cuit	77-82 °C (170-180 °F)
Bacon	93-107 °C (200-225 °F)
Biscuits et muffins (recouverts)	77-85 °C (170-185 °F)
Plat en cocotte (recouvert)	77-93 °C (170-200 °F)
Poisson et fruits de mer	77-93 °C (170-200 °F)
Plats avec frites	93-107 °C (200-225 °F)
Sauce d'arrosage ou sauces à la crème (recouvertes)	77-82 °C (170-180 °F)
Rôtis d'agneau et de veaus	77-93 °C (170-200 °F)
Crêpes et gaufres (recouvertes)	93-107 °C (200-225 °F)
Pommes de terre	
au four	93 °C (200 °F)
en purée (recouvertes)	77-85 °C (170-185 °F)
Tartes et pâtisseries	77 °C (170 °F)
Pizza (recouverte)	107 °C (225 °F)
Porc	77-93 °C (170-200 °F)
Volaille (recouverte)	77-93 °C (170-200 °F)
Légumes (recouverts)	77-93 °C (170-200 °F)

ENTRETIEN ET MAINTENANCE

DURANT LE NETTOYAGE DE LA CUISINIÈRE OU TABLE DE CUISSON :

AVERTISSEMENT!

Faites très attention lorsque vous nettoyez les parties de l'appareil et que celui-ci est chaud.

L'appareil tout entier peut être nettoyé avec de l'eau savonneuse chaude, puis rincé, séché et bien poli à l'aide d'un gros chiffon doux. Essayez cela en premier; c'est la façon la plus douce de le nettoyer.

1. Employez la méthode de nettoyage la plus douce d'abord. Certains produits de nettoyage de même type sont plus forts que d'autres. Lisez leur mode d'emploi. La présence de parfum ou de gaz propulseur peut avoir un effet significatif; veuillez lire la liste des ingrédients. Faites un essai sur une petite surface au préalable.
2. Pour ne pas gâcher la surface, frottez toujours la finition du métal dans le sens du polissage; de plus, le nettoyeur est plus efficace ainsi.
3. Pour nettoyer ou récurer, utilisez uniquement des éponges propres, des tissus doux, des essuie-tout, des tampons à récurer savonneux en plastique sans métal (uniquement des tampons contenant encore du savon car un tampon sec peut égratigner la surface).
4. Rincez soigneusement et séchez en essuyant pour éviter de laisser des marques d'eau.

MARQUE DE NETTOYANTS

La référence à des noms de marques dans cette section est donnée à titre indicatif et ne saurait constituer un acte de promotion. L'omission d'une marque de nettoyeur particulière ne signifie pas qu'elle est adéquate ou non. De nombreux produits sont distribués dans certaines régions seulement et sont disponibles dans des marchés et grands magasins locaux..

TABLE DE CUISSON

Éteignez tous les brûleurs et laissez les grilles refroidir avant de nettoyer la table de cuisson. Si vous essayez une partie de la table de cuisson alors qu'elle est chaude, faites-le avec précaution car vous pourriez vous brûler si vous utilisez une éponge ou un chiffon humide.

GRILLES DES BRÛLEURS

Faites attention lorsque vous soulevez les grilles car elles sont lourdes. Placez-les sur une surface protégée pour qu'elles n'égratignent pas celle-ci. Les grilles des brûleurs sont faites d'émail de porcelaine mat sur fonte. Une fois refroidies, vous pouvez les placer dans le lave-vaisselle ou les nettoyer à l'aide d'une solution savonneuse chaude, puis les rincer et les essuyer. Les grilles des brûleurs ne rouillent pas car elles sont couvertes d'émail de porcelaine mat des deux côtés pour une durabilité accrue. L'utilisation occasionnelle de nettoyeurs abrasifs doux tel que FantastikMD, Simple GreenMD ou Formula 409MD est acceptable. L'utilisation vigoureuse ou trop fréquente de nettoyeurs abrasifs peut finir par endommager l'émail. Appliquez le produit avec une éponge humide, rincez abondamment puis séchez. À cause des changements de température rapides qui se produisent lorsque les brûleurs sont allumés, la porcelaine recouvrant les bords des grilles pourrait éclater en morceaux. Ne vous en faites pas car ceci n'entraîne pas une détérioration des grilles. Le métal en fonte devient foncé en peu de temps et se fond à l'émail de porcelaine. Essayez avec précaution les endroits où l'émail a éclaté, car les bords peuvent être tranchants.

NETTOYAGE DU FOUR

Assurez-vous que le four et la porte sont froids avant de les nettoyer. Ils sont couverts d'émail de porcelaine mat. C'est un matériau qui résiste mais n'est pas à l'épreuve de l'acide. Par conséquent, les aliments acides tels que le vinaigre, la rhubarbe, l'alcool, les jus citriques ou le lait doivent être essuyés avant qu'ils ne puissent durcir sous l'effet de la cuisson. Essayez des nettoyeurs doux tels que Bon-Ami, de l'ammoniaque, une solution d'ammoniaque et d'eau, ou Soft Scrub. Appliquez les poudres sur une éponge ou un linge humide. Frottez légèrement. Rincez abondamment puis séchez. Si les aliments ont brûlé sur le four et sont difficiles à enlever, trempez les taches à l'aide d'un linge saturé d'ammoniaque ménager. Laissez tremper pendant une heure ou deux avec la porte fermée. Vous devriez pouvoir éliminer facilement les salissures à l'aide d'un linge imbibé d'eau savonneuse ou d'un produit abrasif doux. Pendant la nuit, appliquez sur le four tiède (et non pas chaud) une solution de trois c. à s. d'ammoniaque dans une demi-tasse d'eau. Cela permet de ramollir les déversements et les résidus durcis afin de pouvoir les essuyer facilement avec une éponge ou un linge humide propre. Pour les taches difficiles, utilisez un tampon à récurer savonneux Milone. L'utilisation occasionnelle de nettoyeur abrasif est acceptable; cependant, une utilisation trop fréquente ou trop vigoureuse peut finir par endommager l'émail. Mouillez le tampon, frottez la surface légèrement, rincez abondamment puis séchez. Vous pouvez utiliser des nettoyeurs commerciaux prévus pour les fours, tels que Easy OffMD ou DowMD, pour nettoyer l'intérieur du four. Suivez le mode d'emploi du fabricant. Les nettoyeurs commerciaux pour les fours sont corrosifs pour l'ampoule du thermostat et les brûleurs du four : évitez de les utiliser pour vaporiser ou essuyer l'ampoule du thermostat. Si un nettoyeur atteint l'ampoule ou les brûleurs, essuyez-les immédiatement à l'aide d'un linge humide propre.

ENTRETIEN ET MAINTENANCE

BRÛLEURS

Pour assurer un bon allumage et une bonne performance des brûleurs, gardez-les dans un état propre. Vous devez nettoyer les brûleurs s'ils ne s'allument pas même si l'allumeur clique, après chaque débordement important ou si la flamme ne devient pas bleue. Assurez-vous que tous les boutons des brûleurs sont en position OFF avant d'essayer de nettoyer les brûleurs. Les brûleurs ont été conçus pour être faciles à nettoyer. Une fois les grilles et brûleurs refroidis, retirez les grilles. Les capuchons de brûleur et les couronnes en laiton peuvent être facilement enlevés. Lavez ces pièces dans de l'eau savonneuse chaude, rincez et séchez soigneusement. Les capuchons de brûleur sont en émail de porcelaine; suivez les instructions données à la page précédente concernant les grilles des brûleurs. Utilisez au besoin une brosse en soies pour nettoyer les ports dentés des brûleurs. Le démontage de la couronne de mijotage n'est pas recommandé; cela peut toutefois s'avérer nécessaire si les ports restent bouchés après un nettoyage normal. Si vous devez retirer la couronne de mijotage de sa base, enlevez l'écrou hex de la partie supérieure de la couronne de mijotage. Nettoyez la couronne de mijotage avec de l'eau savonneuse chaude à l'aide d'une brosse en soies douce métallique ou en plastique, puis séchez soigneusement. Réassemblez les pièces à l'aide de l'écrou hex. Après le nettoyage, il est important de vous assurer que la broche de position au bas de la couronne de mijotage est correctement alignée avec le trou correspondant de la base et que les deux broches de positions (voir encart, Fig. 15) au bas de la couronne en laiton sont correctement alignées avec l'encoche de position et les trous centraux en haut de la couronne de mijotage. Un mauvais alignement produira une flamme potentiellement dangereuse et entraînera un mauvais fonctionnement du brûleur (voir fig. 15).

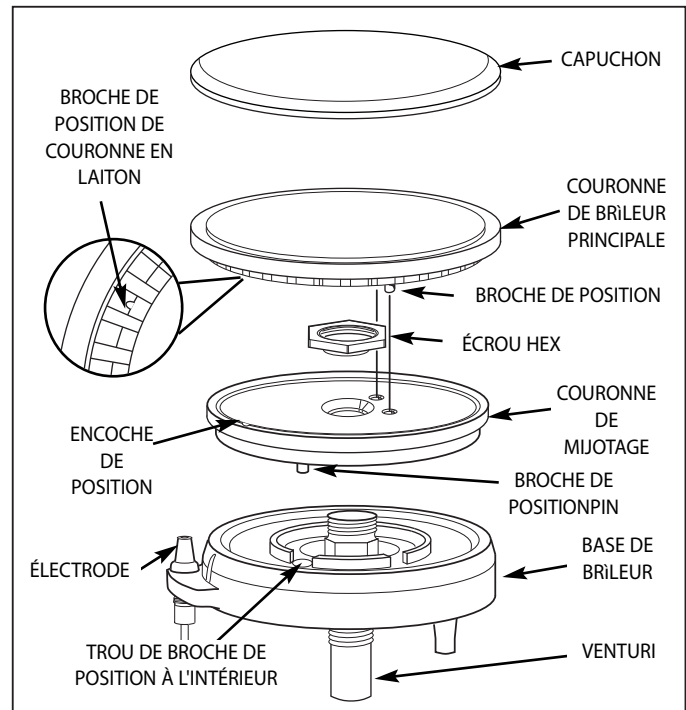


Fig. 15

ALLUMEURS

Essayez avec un coton-tige imbibé d'alcool à friction en faisant attention de ne pas endommager l'allumeur (voir Fig. 16).

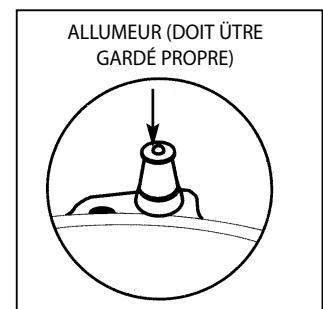


Fig. 16

ZONE DE COLLECTE AUTOUR DES BRÛLEURS ET DES ALLUMEURS

Retirez les grilles. Nettoyez soigneusement à l'aide d'une éponge mouillée chaude en appliquant un savon pouvant décoller les graisses (Dawn par exemple). Nettoyez la surface sale autour de la zone de collecte.

POUR LES SALISSURES PLUS CORIACES, UTILISEZ LA MÉTHODE SUIVANTE :

S'il reste des résidus, faites un collier de papier autour du brûleur et de l'allumeur et collez-le avec du ruban adhésif (Fig. 17).

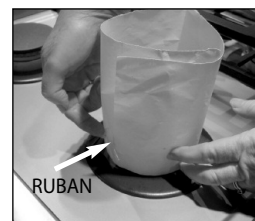


Fig. 17

Vaporisez du « Easy Off » ou du « SOS » sur les salissures (une fois la zone refroidie). Recouvrez d'une serviette en papier et laissez ainsi pendant au moins 4 heures ou toute la nuit (Fig. 18). À l'aide d'une éponge mouillée chaude, essayez les salissures et le produit vaporisé. Séchez avec un linge doux.



Fig. 18

RAMASSE-GOUTTES ET TUBES D'ÉGOUTTEMENT

Les modèles à plaque chauffante et gril sont dotés d'une cuvette ramasse-gouttes à l'intérieur du ramasse-gouttes (Fig. 19). Les ramasse-gouttes sont en acier inoxydable et supportés par des roulettes, ce qui permet de les retirer et les replacer facilement.

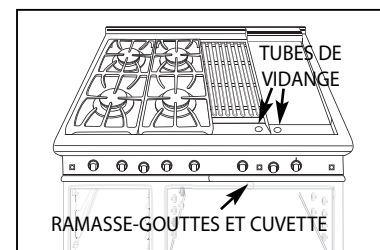


Fig. 19

ENTRETIEN ET MAINTENANCE

Pour retirer la cuvette ramasse-gouttes :

- Tirez le ramasse-gouttes jusqu'à ce qu'il s'arrête.
- Retirez les cuvettes intérieures pour les nettoyer.

Pour retirer le ramasse-gouttes : (au besoin)

- Tirez le ramasse-gouttes jusqu'à ce qu'il s'arrête.
- Retirez les cuvettes intérieures.
- Enfoncez les verrous sur les côtés des glissières tout en tirant le ramasse-gouttes (Fig. 20).
- Continuez de tirer le plateau du ramasse-gouttes.

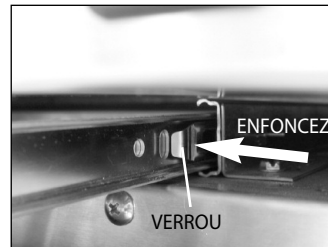


Fig. 20

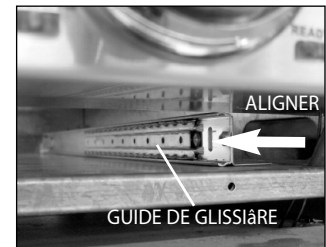


Fig. 21

Pour installer le ramasse-gouttes :

- Alignez le côté du ramasse-gouttes avec les guides de glissière (Fig. 21).
- Enfoncez le plateau jusqu'à ce qu'il s'arrête.
- Tirez et enfoncez le plateau à plusieurs reprises jusqu'à ce qu'il se mette sur les roulettes.

Nettoyez immédiatement du ramasse-gouttes tout déversement pour éviter que les salissures ne « cuisent » sur place. La graisse provenant de la plaque chauffante ou du gril s'écoule du tube d'égouttement dans le ramasse-gouttes et la cuve en dessous. Ne laissez pas la graisse s'accumuler dans le ramasse-gouttes car elle peut poser un risque d'incendie. Nettoyez le tube et le ramasse-gouttes dès qu'ils ont refroidi. Nettoyez-les avec de l'eau savonneuse chaude. Utilisez un flacon à brosse à détergent pour nettoyer le tube. Assurez-vous que le ramasse-gouttes est en place lorsque vous nettoyez le tube d'égouttement. Utilisez un nettoyant abrasif doux tel que FantastikMD, Simple GreenMD or Formula 409MD. (N'utilisez pas de laine d'acier ou d'abrasifs durs tels que CometMD ou AjaxMD.) Rincez et séchez toutes les pièces soigneusement.

PLAQUE CHAUFFANTE

Pendant que la plaque est encore chaude, éliminez soigneusement la graisse et les salissures à l'aide d'une spatule à angles vifs ou d'une brosse à laiton en prenant soin de ne pas égratigner la plaque chauffante. Une fois la plaque chauffante tiède, frottez sa surface légèrement avec de l'huile végétale (évitée l'huile de maïs car elle devient collante). Essuyez soigneusement la plaque chauffante à l'aide d'une toile ou d'un linge épais et rugueux pour nettoyer les restes de résidus et de particules. En cas d'accumulation de graisse, utilisez une c. à s. de vinaigre dans une demi-tasse d'eau; nettoyez avec un linge à récurer tel que Chore BoyMD. En cas de coloration sous l'effet de la chaleur, utilisez un nettoyant pour acier inoxydable tel que Revere WareMD. Lavez dans de l'eau savonneuse chaude, rincez puis séchez. Si des salissures ou résidus d'aliments sont cuits sur la plaque chauffante, utilisez une pierre ponce fine ou un produit de dégraissage (tous deux disponibles chez les fournisseurs en restauration) en respectant le mode d'emploi du fabricant. Lavez dans de l'eau savonneuse chaude, rincez puis séchez. Si vous nettoyez la plaque chauffante avec de l'eau savonneuse chaude, du vinaigre ou de la poudre à récurer, vous devez la conditionner de nouveau. Suivez les instructions de la page 14 concernant le conditionnement de la plaque chauffante.

N'ASPERGEZ JAMAIS UNE PLAQUE CHAUFFANTE CHAUDE AVEC DE L'EAU FROIDE. Cela peut fissurer ou déformer la plaque chauffante.

GRIL

Nettoyez le gril immédiatement après la cuisson. Éteignez le brûleur. Portez un gant de barbecue pour vous protéger la main de la chaleur et de la vapeur. Frottez le gril en trempant fréquemment une brosse à poils fins en laiton dans un bol d'eau chaude. La vapeur produite au contact de l'eau facilite le nettoyage en ramollissant les particules d'aliments. Les particules tombent dans le ramasse-gouttes ou le plateau radiant contenant les radiants. Prenez soin de nettoyer le tube d'égouttement, le ramasse-gouttes et la cuve une fois ceux-ci refroidis. Suivez les instructions données ci-dessus. Retirez périodiquement le plateau radiant et les radiants (une fois refroidis) et secouez-les doucement au-dessus d'une couche de papier journal à jeter.

BOUTONS DE RÉGLAGE - FOUR ET TABLE DE CUISSON

Ils sont faits en métal moulé avec des prises en plastique et peuvent être nettoyés dans de l'eau chaude savonneuse. Pour retirer les boutons du panneau de contrôle, saisissez-les et tirez vers vous. Lavez-les sans les laisser tremper. Rincez et séchez soigneusement. Il est important de remettre les boutons sur la bonne valve à gaz du panneau de contrôle. Les boutons de réglage de la table de cuisson et du gril sont similaires; ceux de la table de cuisson comportent un réglage « Simmer » (mijotage) contrairement à celui du gril. Les boutons de réglage du four et de la plaque chauffante sont également similaires; tous deux indiquent les températures; le bouton du four comporte un réglage « Broil » (gril) contrairement à celui de la plaque chauffante.

ENTRETIEN ET MAINTENANCE

DOSSERET (si installé)

Il est en acier inoxydable. Employez la méthode de nettoyage la plus douce d'abord. Lavez dans de l'eau savonneuse chaude, rincez puis séchez. S'il y a encore des souillures alimentaires sur le panneau, essayez un nettoyant de cuisine d'usage général tel que FantastikMD, Simple GreenMD ou Formula 409MD. Appliquez le produit avec une éponge humide, rincez abondamment puis séchez. Frottez toujours dans le sens du grain. N'utilisez pas de laine d'acier car elle peut égratigner la surface. Pour réparer des égratignures visibles à l'œil nu, frottez très légèrement avec du papier de verre fin, dans le sens du grain. Après le nettoyage, utilisez un produit à polir pour acier inoxydable tel que Stainless Steel MagicMD. Il est possible que le panneau en acier inoxydable vertical se décolore sous l'effet de la chaleur du brûleur si les brûleurs supérieurs arrière sont utilisés très souvent. Cette décoloration peut être éliminée à l'aide du nettoyant pour acier inoxydable Revere Ware.

RETRAIT DE LA PORTE DU FOUR

AVERTISSEMENT!

Évitez de soulever la porte du four par la poignée, vous pourriez l'endommager! Assurez-vous que le four et la porte sont froids avant de retirer la porte!

1. Ouvrez la porte complètement (Fig. 22).
2. Déverrouillez les charnières de la porte en tournant le verrou vers l'avant (Fig. 23).
3. Une fois les deux charnières débloquées, fermez doucement la porte de moitié environ. Saisissez les côtés de la porte et soulevez doucement vers le haut et légèrement vers l'avant : la porte se dégage de la charnière.
4. Continuez à soulever et à tirer la porte à l'écart de la cuisinière.



Fig. 22
Charnière de four

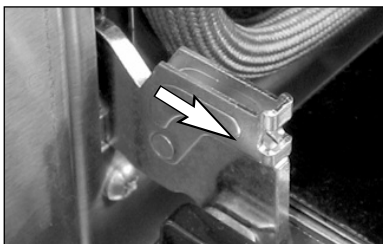


Fig. 23
Clip de retenue de charnière en position déverrouillée

INSTALLATION DE LA PORTE DU FOUR

1. Positionnez la porte de sorte qu'elle soit ouverte à moitié environ.
2. Placez tout simplement la languette de la charnière dans les fentes de la charnière (voir Fig. 24).
3. Enfoncez la porte dans les fentes jusqu'à ce que vous sentiez celles-ci emboîtées dans les verrous.
4. Ouvrez la porte complètement et faites pivoter les verrous en position fermée (Fig. 25).
5. Fermez la porte du four.

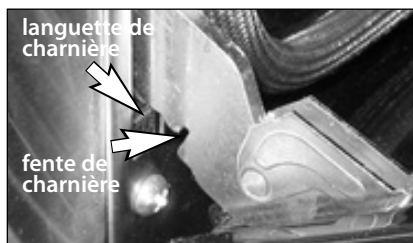


Fig. 24
Charnière

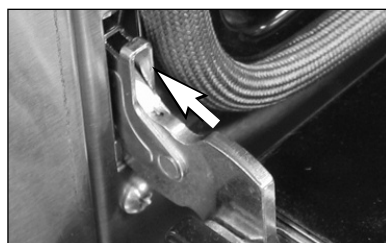


Fig. 25
Clip de retenue de charnière en position verrouillée

ENTRETIEN ET MAINTENANCE

GRILLES DE FOUR, ROULETTES ET SUPPORTS DE GRILLE

Toutes les grilles du four et les supports des grilles du four de 12 po sont en acier chromé. Les supports de grille à roulettes du four principal (24 et 27 po) sont en acier inoxydable. Pour retirer les supports, enlevez d'abord les grilles, puis saisissez les supports et tirez-les vers le haut pour les extraire. Pour replacer les supports, remettez le haut en premier. Nettoyez-les à l'aide d'une éponge, d'un linge ou d'une laine d'acier humide avec un détergent doux. Les nettoyants de chrome, tel que Soft Scrub, Cameo ou Bar Keepers Friend peuvent être appliqués avec une éponge humide suivant le mode d'emploi inscrit sur l'emballage. Rincez puis séchez. Appliquez un nettoyant en poudre tel que Bon-Ami ou Comet à l'aide d'une éponge ou d'un linge humide, frottez légèrement, rincez, puis séchez. Pour les souillures alimentaires difficiles à enlever, utilisez un tampon à récurer métallique savonneux, rincez et séchez. Vous pouvez utiliser sur les grilles des nettoyants forts commerciaux prévus pour les fours, tels que Easy Off ou Dow. Ces produits ne sont toutefois pas recommandés pour les roulettes de grilles ou l'intérieur du four. De plus, certains produits commerciaux à nettoyer les fours tendent à produire un noircissement et une décoloration. Testez le nettoyant sur une petite section de la grille et vérifiez s'il y a de la décoloration avant de nettoyer la grille toute entière. Appliquez le produit abondamment. Laissez reposer pendant 15 à 20 minutes. Rincez abondamment puis séchez. Si les grilles du four principal ne glissent pas facilement après le nettoyage, versez une petite quantité d'huile de cuisson sur une serviette en papier et frottez légèrement sur les rails latéraux et les roulettes. Vaporisez avec du « Pam » si les grilles deviennent difficiles à déplacer.

CADRE, CÔTÉS, EXTÉRIEUR DE PORTE, DÉFLECTEUR

Ces pièces sont en acier inoxydable; suivez les instructions du dossier. Faites attention lorsque vous nettoyez le dessus de porte et ne laissez pas l'eau ou les nettoyants s'écouler par les événements. Ne laissez pas l'eau ou les nettoyants s'écouler par les trous des événements, car ils pourraient laisser des traînées sur le verre à l'intérieur de la porte.

JOINT DE LA PORTE

Lavez avec de l'eau chaude seulement. Évitez de frotter. Séchez le joint à l'aide d'une serviette sèche. Évitez d'enlever ou d'endommager la maille.

REPLACEMENT DE L'AMPOULE DE LAMPE DU FOUR

Pour remplacer l'ampoule de la lampe du four, utilisez une ampoule de 40 watts, 120 volts, pour appareil électroménager uniquement. Celles-ci sont disponibles dans les supermarchés. ÉVITEZ d'utiliser des ampoules normales dans les fours car elles casseront sous l'effet de la chaleur.

Pour remplacer l'ampoule

1. Assurez-vous que l'interrupteur de la lampe du four est en position « OFF » ou bien coupez le disjoncteur. La partie inférieure de l'interrupteur doit être enfoncée. Laissez le couvercle et l'ampoule refroidir complètement.
2. Retirez le couvercle de la lampe. Tournez le couvercle vers la gauche (dans le sens contraire des aiguilles d'une montre) pour le dévisser.
3. Retirez l'ampoule brûlée. Remplacez-la par une ampoule de 40 watts pour appareil électroménager uniquement.
4. Remplacez le couvercle. Remettez le disjoncteur s'il était coupé. (Voir l'avertissement ci-dessous.)



AVERTISSEMENT!

Assurez-vous que l'interrupteur de la lampe du four est en position OFF et que le couvercle est froid. Si l'ampoule se détache de sa base, coupez le courant du four par le panneau à disjoncteurs avant d'essayer de retirer la base de l'ampoule de la douille.

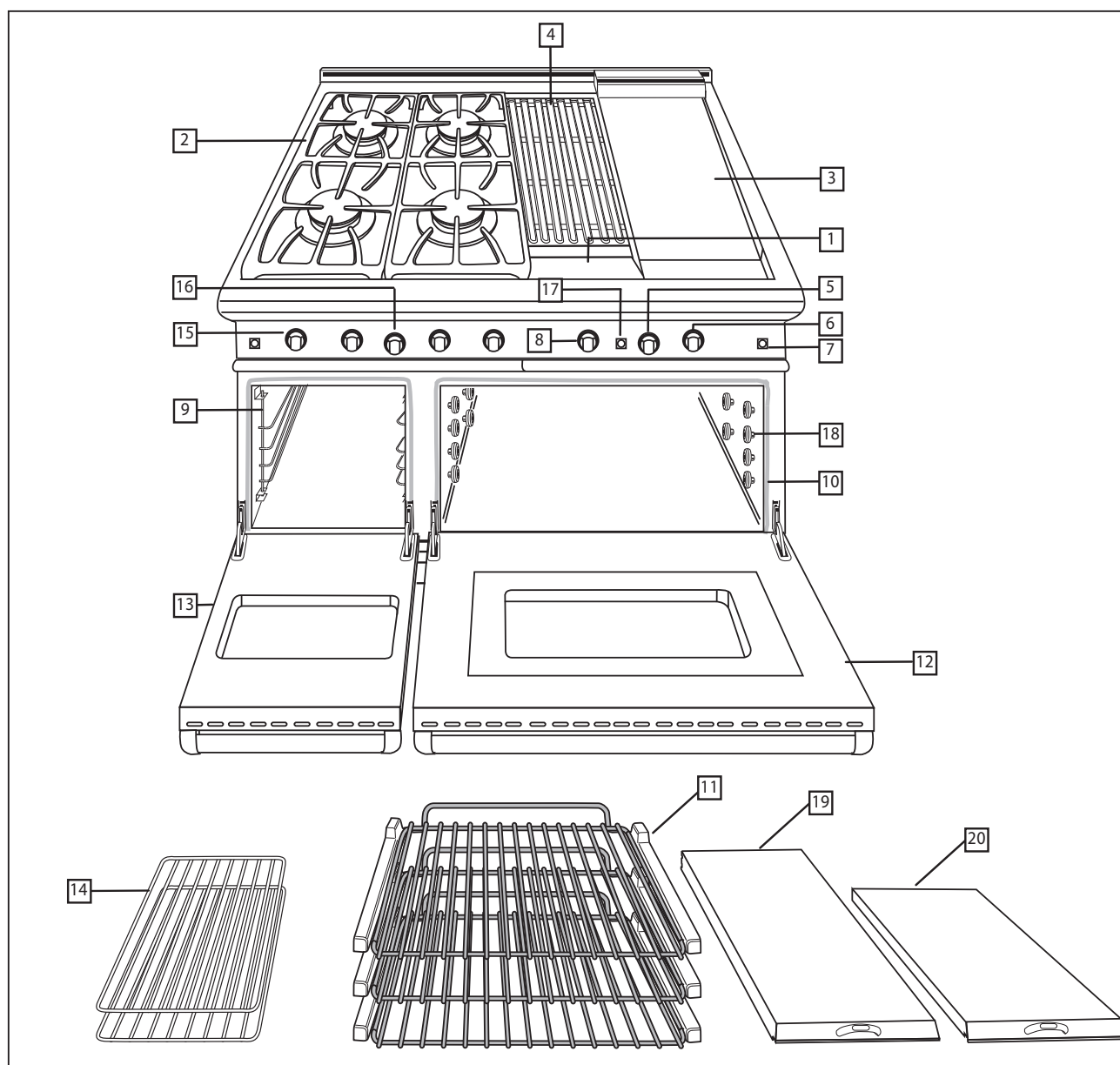
PANNE D'ALIMENTATION

Pour allumer les brûleurs de la table de cuisson, mettez le bouton de réglage sur LITE, allumez une allumette et approchez-la de la couronne. Dès que la flamme s'allume tout autour du brûleur, réglez-la. Il est nécessaire d'allumer chaque brûleur séparément chaque fois que vous voulez l'utiliser. N'essayez pas d'allumer avec une allumette les brûleurs de plaque chauffante, de gril, de grillage ou du four; ils ne peuvent fonctionner sans courant électrique. Assurez-vous que les boutons sont mis sur OFF au cas où le courant serait rétabli alors que vous êtes absent ou éloigné de l'appareil. Ne laissez pas le brûleur sans surveillance. Le brûleur ne se rallume pas s'il est éteint par un courant d'air.

IDENTIFICATION DES PIÈCES

ARTICLE	DESCRIPTION
1	Gril
2	Grilles des brûleurs
3	Plaque chauffante
4	Grilles du gril
5	Gros bouton de réglage du four
6	Bouton de réglage de la plaque chauffante
7	Bouton d'éclairage du four
8	Bouton de réglage du gril
9	Supports de grilles de four
10	Joint de porte du four

ARTICLE	DESCRIPTION
11	Grandes grilles du four (3)
12	Porte du four
13	12" Porte du four
14	Petites grilles du four (2)
15	Bouton de réglage de table de cuisson
16	Bouton de réglage du petit four
17	Interrupteur du ventilateur à convection
18	Roulettes
19	Couvercle du gril
20	Couvercle de la plaque chauffante

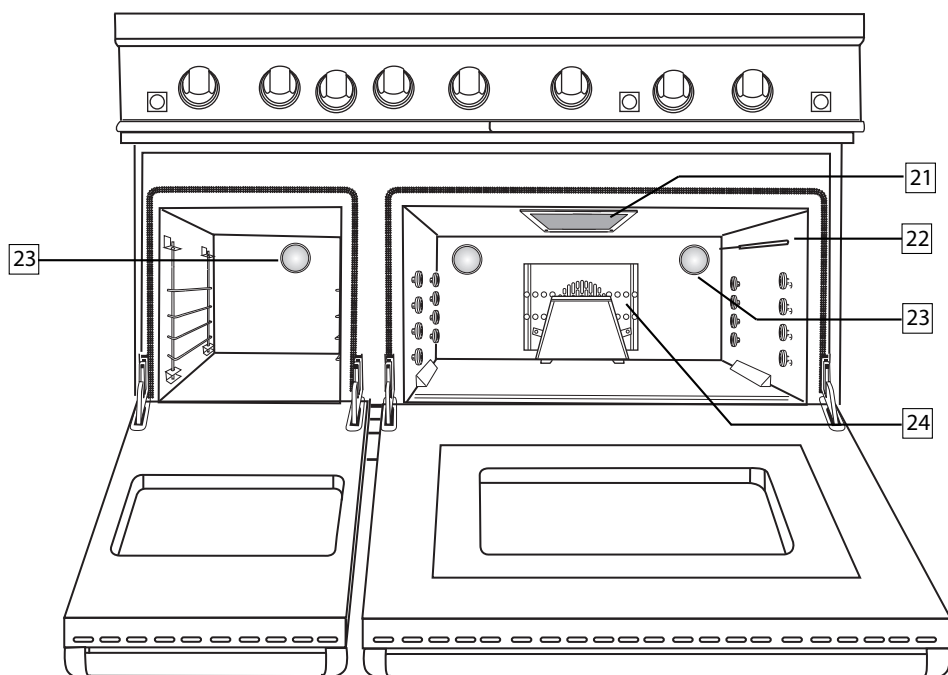


MODÈLE RGT-484GG ILLUSTRÉ

REMARQUE : LA PLAQUE SIGNALÉTIQUE SE TROUVE SUR LE PANNEAU ARRIÈRE

IDENTIFICATION DES PIÈCES

ITEM	DESCRIPTION
21	Grilloir à infrarouge
22	Ampoule du thermostat du four
23	Lampe du four
24	Défecteur du ventilateur à convection



DÉPANNAGE

CUISINIÈRES ET TABLES DE CUISSON		
PROBLÈME	CAUSE POSSIBLE	SOLUTION
APPAREIL NON FONCTIONNEL	PAS D'ÉLECTRICITÉ NI D'ALIMENTATION EN GAZ	OUVREZ LA VALVE D'ALIMENTATION EN GAZ VÉRIFIEZ LES DISJONCTEURS
	PROBLÈME TECHNIQUE	APPELEZ UN TECHNICIEN AUTORISÉ
UN OU PLUSIEURS BRÛLEURS NE S'ALLUMENT PAS	PAS D'ÉLECTRICITÉ	VÉRIFIEZ LES DISJONCTEURS
	PAS DE GAZ	VÉRIFIEZ L'ALIMENTATION EN GAZ AU NIVEAU DU MUR
	MAUVAIS TYPE DE GAZ	VÉRIFIEZ LE TYPE DE GAZ (VOIR UTILISATION ET ENTRETIEN À LA PAGE 31 POUR L'EMPLACEMENT DE L'ÉTIQUETTE)
	BRÛLEURS SALES	NETTOYEZ LES BRÛLEURS
	BRÛLEURS MAL ALIGNÉS	ALIGNER ET RÉASSEMBLER LES BRÛLEURS
	PRÉSENCE D'EAU DANS LE(S) BRÛLEUR(S)	DÉMONTÉZ ET SÉCHEZ LE(S) BRÛLEUR(S)
	PROBLÈME TECHNIQUE	APPELEZ UN TECHNICIEN AUTORISÉ
FLAMME INCORRECTE FLAMME DE BRÛLEUR NOIRÂTRE	TROP HAUTE OU TROP PETITE BRÛLEUR MAL ALIGNÉ	VÉRIFIEZ LE TYPE DE GAZ (VOIR ÉTIQUETTE À L'ARRIÈRE) RÉALIGNER ET RÉASSEMBLER LE BRÛLEUR (PAGE 24)
CUISINIÈRES		
PROBLÈME	CAUSE POSSIBLE	SOLUTION
LAMPE DE FOUR ÉTEINTE	PAS D'ÉLECTRICITÉ	VÉRIFIEZ LES DISJONCTEURS VÉRIFIEZ LA PRISE MURALE (RDT, RGT ET RGTC)
	DESSERREZ L'AMPOULE	ASSUREZ-VOUS QUE L'AMPOULE EST BIEN FIXÉE À LA DOUILLE
	AMPOULE BRÛLÉE	REMPLEZ L'AMPOULE
AUCUNE CHALEUR DANS LE FOUR (CUISSON)	PAS DE GAZ	VÉRIFIEZ QUE LE BRÛLEUR SUPÉRIEUR FONCTIONNE CORRECTEMENT
	PAS D'ÉLECTRICITÉ (VÉRIFIEZ LA LAMPE DU FOUR)	VÉRIFIEZ LES DISJONCTEURS VÉRIFIEZ LA PRISE (RDT, RGT ET RGTC)
	MAUVAIS RÉGLAGES	VÉRIFIEZ LE RÉGLAGE DES BOUTONS ET SÉLECTEURS (LE CAS ÉCHÉANT)
	PROBLÈME TECHNIQUE	APPELEZ UN TECHNICIEN AUTORISÉ
PAS DE GRIL DE FOUR	MAUVAIS RÉGLAGES (VOIR PAS DE CUISSON)	VÉRIFIEZ LES RÉGLAGES
	PROBLÈME TECHNIQUE	APPELEZ UN TECHNICIEN AUTORISÉ
CUISSON INÉGALE	DURÉE DE PRÉCHAUFFE INSUFFISANTE	LAISSEZ LE FOUR PRÉCHAUFFER AVANT LA CUISSON
	MAUVAIS RÉGLAGES	VÉRIFIEZ LE RÉGLAGE DES BOUTONS ET SÉLECTEURS (LE CAS ÉCHÉANT)
	USTENSILES/EMPLACEMENT MAUVAIS	UTILISEZ LES BONS USTENSILES ET PLACEZ-LES CORRECTEMENT (VOIR UTILISATION ET ENTRETIEN)
	PROBLÈME TECHNIQUE	APPELEZ UN TECHNICIEN AUTORISÉ
PAS DE CONVECTION	PAS DE MOULE À CONVECTION	VÉRIFIEZ S'IL Y A UN DÉPLACEMENT D'AIR
CONVECTION BRUYANTE	PROBLÈME TECHNIQUE	APPELEZ UN TECHNICIEN AUTORISÉ
PLAQUE CHAUFFANTE ET GRIL DE CUISINIÈRE		
PROBLÈME	CAUSE POSSIBLE	SOLUTION
APPAREIL NON FONCTIONNEL	PAS D'ÉLECTRICITÉ NI D'ALIMENTATION EN GAZ	OUVREZ LA VALVE D'ALIMENTATION EN GAZ VÉRIFIEZ LES DISJONCTEURS
	PROBLÈME TECHNIQUE	APPELEZ UN TECHNICIEN AUTORISÉ
	PLATEAU RADIANT MAL INSTALLÉ	RÉINSTALLEZ LE PLATEAU RADIANT CORRECTEMENT
FAIBLE CHALEUR	PORTS DE BRÛLEUR BOUCHÉS	VOIR LA PAGE 23 CONCERNANT LA PROCÉDURE DE NETTOYAGE DES BRÛLEURS

POUR L'OBTENTION DE SERVICE

AVANT D'APPELER LE SERVICE TECHNIQUE

- Est-ce que le disjoncteur s'est déclenché ou que le fusible est grillé?
- Y a-t-il une coupure de courant dans le secteur?
- Voir Dépannage à la page 30.

SI LES BRÛLEURS DE LA TABLE DE CUISSON NE S'ALLUMENT PAS

- Est-ce que le brûleur à deux morceaux est assemblé correctement? (Voir la page 24, Fig. 15)
- Est-ce que la tête du brûleur est alignée correctement? (Voir la page 24, Fig. 15)
- Est-ce que le robinet d'arrêt manuel est ouvert? Il est généralement situé là où le gaz provient du mur.

Pour le service sous garantie, contactez votre distributeur ou le représentant du centre de service à la clientèle DCS au (888) 936-7872. Avant d'appeler, veuillez avoir les informations suivantes à portée de main :

- Numéro de modèle (situé sur la plaque signalétique, sur le panneau arrière et également sur le cadre avant, coin inférieur droit entre le panneau de seuil de porte et la porte du four).
- Numéro de série (situé sur la plaque signalétique, sur le panneau arrière et également sur le cadre avant, coin inférieur droit entre le panneau de seuil de porte et la porte du four).
- Date d'installation
- Brève description du problème

Votre satisfaction revêt la plus grande importance pour nous. Si un problème n'est pas résolu à votre entière satisfaction, veuillez communiquer avec nous par téléphone, courrier ou courriel :

Fisher & Paykel Appliances, Inc.
Attention: DCS Customer Care
5900 Skylab Road
Huntington Beach, CA 92647

par courriel: customer.care@fisherpaykel.com

GARANTIE

LIMITED WARRANTY

À l'achat d'une cuisinière DCS neuve, vous bénéficiez automatiquement d'une garantie limitée d'un an couvrant pièces et main d'œuvre sur le produit tout entier, d'une garantie limitée de cinq ans sur les brûleurs de surface, les brûleurs de plaque chauffante, le brûleur du gril et les brûleurs du four (pièces seulement), et d'une garantie limitée de deux ans sur la paroi interne du four en porcelaine et le panneau de porte intérieur en porcelaine (pièces seulement) donnant droit à un service technique dans les 48 États continentaux des États-Unis, Hawaï, Washington D.C. et le Canada. La garantie limitée est la même en Alaska sauf que vous devez payer les frais d'expédition du produit à un centre de service ou les frais de déplacement d'un technicien dans le cas d'une visite à domicile. Les produits destinés à une utilisation au Canada doivent être achetés auprès d'un distributeur canadien afin de respecter la réglementation en vigueur.

FISHER & PAYKEL S'ENGAGE À :

entreprendre à ses frais (pièces et main-d'œuvre) toutes réparations du produit (sur lequel figure le numéro de série) jugé défectueux. En Alaska, vous devez payer les frais d'expédition du produit à un centre de service ou les frais de déplacement d'un technicien dans le cas d'une visite à domicile.

Si nous sommes dans l'incapacité de réparer une pièce défectueuse du produit après un nombre raisonnable de tentatives, nous pourrions, à notre choix, remplacer la pièce ou le produit, ou vous rembourser entièrement le prix d'achat du produit (à l'exclusion des frais d'installation ou autres frais.)

Cette garantie s'applique à l'acheteur initial et à tous les propriétaires successifs du produit dans la mesure où il s'agit d'un produit acheté pour une utilisation à domicile normale. Tout service couvert par cette garantie limitée sera assuré par Fisher & Paykel Appliances Inc. ou son agent de service DCS agréé durant les heures d'ouverture normales.

QUELLE EST LA DURÉE DE CETTE GARANTIE LIMITÉE?

Notre responsabilité en vertu de cette garantie limitée concernant l'intégralité du produit expire UN AN à partir de la date d'achat du produit par le premier acheteur. Notre responsabilité en vertu de cette garantie limitée concernant les brûleurs de surface, les brûleurs de plaque chauffante, le brûleur du gril et les brûleurs du four (pièces seulement) expire CINQ ANS à partir de la date d'achat du produit par le premier client. Notre responsabilité en vertu de cette garantie limitée concernant la paroi interne du four en porcelaine et le panneau de porte intérieur en porcelaine (pièces seulement) expire DEUX ANS à partir de la date d'achat du produit par le premier client.

Notre responsabilité en vertu de toute garantie implicite, y compris la garantie implicite de qualité marchande (la garantie tacite selon laquelle le produit est approprié pour un usage normal) expire également UN AN (ou une période plus longue si requis par la loi) à partir de la date d'achat du produit par le premier acheteur. Certaines juridictions ne permettent pas la limitation de la garantie implicite, il est donc possible que la limitation ci-dessus sur les garanties implicites ne s'applique pas à vous.

NE SONT PAS COUVERTS PAR LA GARANTIE :

- A. Les appels de service n'ayant aucun rapport avec un défaut éventuel du produit. Le coût de l'appel de service sera facturé s'il se trouve que le problème n'est pas dû à un défaut du produit. Par exemple :
 1. Corriger une mauvaise installation du produit.
 2. Montrer comment utiliser le produit.
 3. Remplacer des fusibles à domicile, réarmer les disjoncteurs, réparer les fils électriques ou la plomberie du domicile, ou remplacer des ampoules.
 4. Corriger des anomalies causées par l'utilisateur.
 5. Changer la configuration du produit.
 6. Modifications non autorisées du produit.
 7. Bruits ou vibrations considérés comme normaux, par exemple les bruits de drain ou de ventilateur, les bruits de régénération (vibrations, sifflements) ou les signaux d'avertissement à l'intention de l'utilisateur.
 8. Corriger des dommages causés par des animaux nuisibles, par exemple des rats, des coquerelles, etc.
- B. Défauts causés par des facteurs autres que :
 1. Utilisation domestique normale ou
 2. Utilisation conformément au manuel d'utilisation et d'entretien du produit.
- C. Défauts du produit pour cause d'accident, négligence, mauvaise utilisation, incendie, inondation ou calamité naturelle.
- D. Les coûts des réparations effectuées par des techniciens non autorisés ou le coût de correction de ces réparations non autorisées.

GARANTIE

- E. Les frais de voyage et les frais connexes encourus lorsque le produit est installé dans un lieu à accès illimité ou restreint (déplacement par avion ou par bateau, régions géographiques isolées, etc).
- F. Entretien normal recommandé par le manuel d'utilisation et d'entretien du produit.

Contactez votre distributeur ou votre installateur en cas de problème d'installation. Il vous incombe d'assurer une installation électrique, une ventilation et toute autre connexion appropriées.

Nous ne sommes pas responsables des dommages indirects ou accessoires (coût de réparation ou de remplacement d'autres biens endommagés parce que le produit était défectueux ou tout autre coût que vous auriez encouru parce que le produit était défectueux). Certaines juridictions interdisent l'exclusion ou la restriction de la responsabilité des dommages indirects ou accessoires; l'exclusion ou la restriction indiquée ci-dessus peut donc ne pas s'appliquer à votre cas particulier.

POUR OBTENIR DES RÉPARATIONS

Veillez consulter le manuel d'utilisation et d'entretien. Si vous avez des questions concernant l'utilisation du produit, que vous cherchez le nom de l'agent de service DCS agréé local ou que pensez que le produit est défectueux et désirez le faire réparer dans le cadre de cette garantie limitée, veuillez contacter votre distributeur ou nous appeler au numéro suivant :

(NUMÉRO SANS FRAIS) 1-888-936-7872 ou contactez-nous par l'intermédiaire de notre site Web : www.dcsappliances.com

Vous devrez peut-être présenter une preuve raisonnable de la date d'achat du produit avant de pouvoir bénéficier d'une réparation dans le cadre de cette garantie limitée.

UTILISATION COMMERCIALE

Cette garantie s'applique à des appareils électroménagers utilisés à domicile; elle ne couvre pas les cas d'utilisation commerciale.

AUCUNE AUTRE GARANTIE

Cette garantie limitée constitue l'accord entier et exclusif entre vous et Fisher & Paykel Appliances Inc. en ce qui concerne tout défaut du produit. Aucun de nos employés (ou agents de service agréés) n'est autorisé à apporter des ajouts ou des modifications à cette garantie limitée.

Garant : Fisher & Paykel Appliances, Inc.

Si vous avez besoin d'aide au sujet de cette garantie limitée, veuillez nous appeler au numéro ci-dessus ou nous écrire à l'adresse suivante :

Fisher & Paykel Appliances, Inc.
5900 Skylab Road, Huntington Beach, CA 92647 États-Unis

Cette garantie limitée vous donne des droits juridiques spécifiques et vous pouvez bénéficier d'autres droits qui varient d'une juridiction à l'autre.

Fisher & Paykel Appliances inc. est un fabricant de pointe d'appareils de cuisson et d'appareils spécialisés, sous les marques Fisher & Paykel et DCS.

REMARQUE

REMARQUE



Quality provided by Fisher & Paykel Appliances Inc.

Fisher & Paykel Appliances, Inc.
5900 Skylab Road, Huntington Beach, CA 92647
Customer Care: (888) 936.7872
Fax: 714.372.7003
www.dcsappliances.com

Nous améliorons constamment ses produits et se réserve le droit de modifier les spécifications ou la conception de ses produits sans aucun préavis.

As product improvement is an ongoing process, we reserve the right to change specifications or design without notice.

P/N 238513 Rev. B
Litho in USA 08/2008