

ADA SERIES

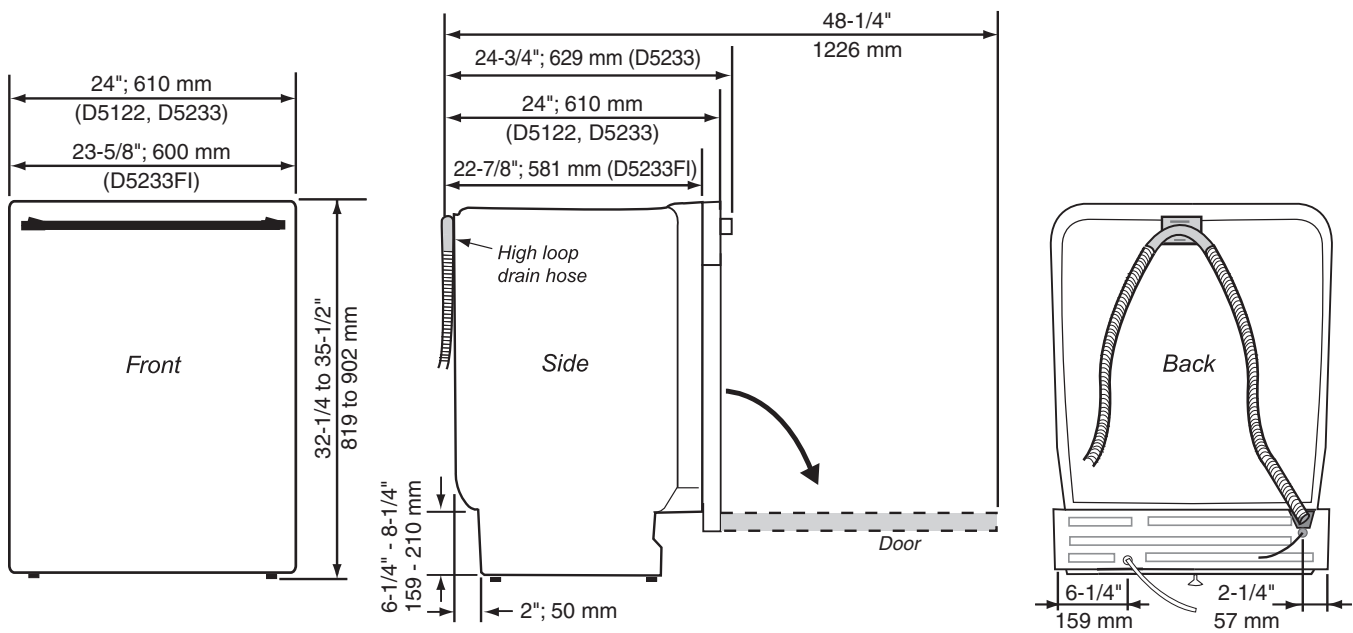
Planning & Design: ADA Dishwashers D5122ADA, D5233ADA, D5233ADAFI

Unit Dimensions

	US	METRIC
HEIGHT	32-1/4" to 35-1/2"	819 to 902 mm
WIDTH: D5122ADA, D5233ADA	24"	610 mm
D5233ADAFI	23-5/8"	600 mm
DEPTH: D5122ADA, D5233ADA	24"	610 mm
D5233ADAFI	22-7/8"	581 mm
DEPTH W/HANDLE: D5233ADA	24-3/4"	629 mm
DEPTH W/DOOR OPEN	48-1/4"	1222 mm
WEIGHT	117 lbs	53 kg

Technical Data

Electricity	120 V, 60 Hz, 15 Amp
Water pressure	18-176 psi
Heating element	1200 watt
Max loading	1300 watt



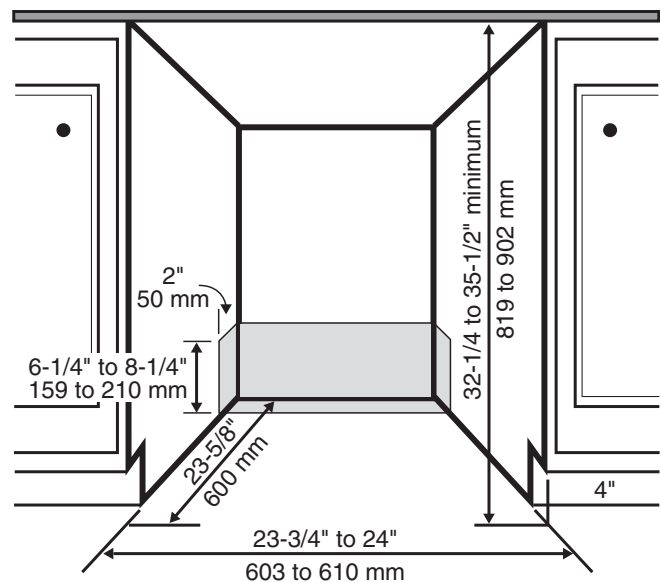
Cutout Dimensions

	US	METRIC
HEIGHT	32-1/4" to 35-1/2"	819 to 902 mm
WIDTH: D5122, D5233	24"	610 mm
D5233FI	23-3/4" to 24"	603 to 610 mm
DEPTH	23-5/8"	600 mm

*This depth allows a 1" (25 mm) space for the high-loop drain hose.

NOTE: Maintain a 1/8" (3 mm) minimum clearance between unit and cabinet.

The electrical and water supplies should enter through the area indicated by the shaded area. Preferably, they should come through the right side of the machine. The access hole must be round and smooth and no bigger than 2" in diameter.



Specifications are subject to change without notice.