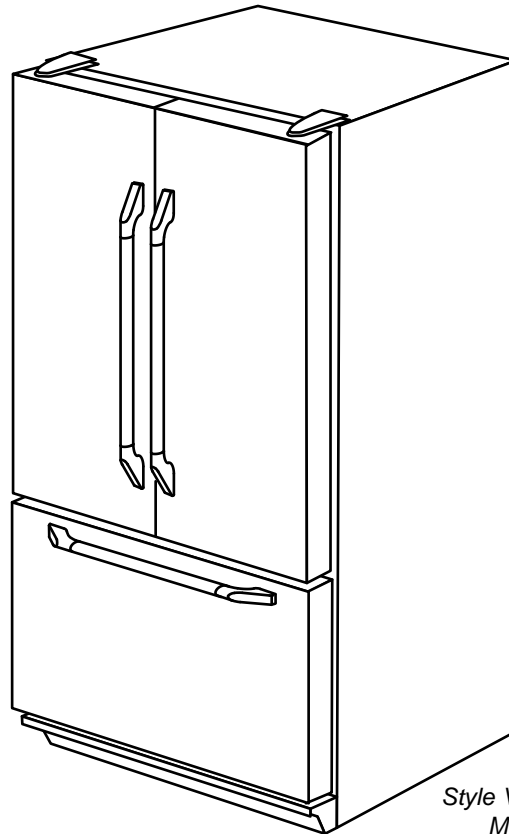


USE AND CARE MANUAL

36 INCH REFRIGERATOR

2 AND 3 DOOR MODELS

For Use With Models:
EF36, IF36, PF36



Style Varies
Model EF36BNFSS Shown

Table of Contents

Important Safety Instructions	1
Important Information	2
Electronic Control Center	2-3
Refrigerator Compartment	4-5
Freezer Compartment	5
Ice and Water	6
Water Filter	7
Performance Data	8
Food Storage Tips	9-11
Care and Cleaning	12-14
Operating Sounds	15
Accessories	16
Before You Call for Service	17
Warranty and Service	18
Notes	19-20
Francis	21-44
Warranty Card	Back Cover



To Our Valued Customer:

Congratulations on your purchase of the very latest in Dacor® products! Our unique combination of features, style and performance make us The Life of the Kitchen™, and a great addition to your home.

In order to familiarize yourself with the controls, functions, and full potential of your new Distinctive Appliance, we suggest that you thoroughly read this use and care manual, beginning with the **Important Safety Instructions** section.

All Dacor appliances are designed and manufactured with quality and pride, while working within the framework of our company value. Should you ever experience a problem with your product, please first check the **Before You Call for Service** section of this manual for guidance. It provides useful suggestions and remedies prior to calling for service.

Valuable customer input helps us to continuously improve our products and services, so please feel free to contact our Customer Service Team for assistance with any of your product support needs.

Dacor Customer Service Team
1440 Bridge Gate Drive
Diamond Bar, CA 91765

Telephone: (800) 793-0093
Fax: (626) 403-3130
Hours of Operation: Monday through Friday
6:00 A.M. to 5:00 P.M. Pacific Time
Web Site: www.Dacor.com

Thank you for choosing Dacor for your home. We are a company built by families for families and we are dedicated to serving yours. We are confident that your new Dacor product will deliver a high level of performance and enjoyment for many years to come.

Sincerely,

Cheryl Crowe
Director, Customer Satisfaction

IMPORTANT SAFETY INSTRUCTIONS

Your safety and the safety of others are very important.

We have provided many important safety messages in this manual and on your appliance. Always read and obey all safety messages.



This is the safety alert symbol.

This symbol alerts you to potential hazards that can kill or hurt you and others.

All safety messages will follow the safety alert symbol and either the word "DANGER" or "WARNING."

These words mean:

⚠ DANGER

You can be killed or seriously injured if you don't **immediately** follow instructions.

⚠ WARNING

You can be killed or seriously injured if you don't follow instructions.

All safety messages will tell you what the potential hazard is, tell you how to reduce the chance of injury, and tell you what can happen if the instructions are not followed.

⚠ WARNING



Explosion Hazard

Keep flammable materials and vapors, such as gasoline, away from refrigerator.

Failure to do so can result in death, explosion, or fire.

⚠ WARNING

Suffocation Hazard

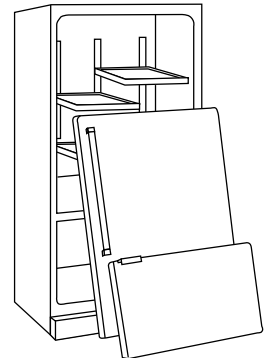
Remove doors from old refrigerator. Failure to do so can result in death or brain damage.

IMPORTANT: Child entrapment and suffocation are not problems of the past. Junked or abandoned refrigerators are still dangerous, even if they sit out for "just a few days."

If you are getting rid of your old refrigerator, please follow the instructions below to help prevent accidents.

Before you throw away your old refrigerator or freezer:

- Take off the doors.
- Leave the shelves in place so children may not easily climb inside.



⚠ WARNING



Electric Shock Hazard

Plug into a grounded 3 prong outlet.

Do not remove ground prong.

Do not use an adapter.

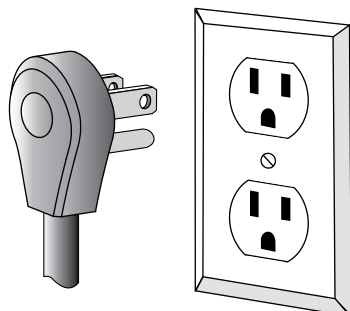
Do not use an extension cord.

Failure to follow these instructions can result in death, fire, or electrical shock.

WARNING: To reduce the risk of fire, electric shock, or injury to persons when using the refrigerator follow basic precautions, including the following:

- Plug into a grounded 3 prong outlet.
- Do not remove ground prong.
- Do not use an adapter.
- Do not use an extension cord.
- Disconnect power before servicing.
- Replace all parts and panels before operating.
- Remove doors from your old refrigerator.
- Use nonflammable cleaner.
- Keep flammable materials and vapors, such as gasoline, away from refrigerator.
- Use two or more people to move and install refrigerator.
- Disconnect power before installing ice maker (on ice maker kit ready models only).

SAVE THESE INSTRUCTIONS



IMPORTANT INFORMATION

Installer: Please leave this guide with this appliance.

Consumer: Please read and keep this Use & Care Manual for future reference. This guide provides proper use and maintenance information. **Keep this guide and the sales receipt and/or cancelled check in a safe place for future reference. Proof of original purchase date is needed for warranty service.**

If you have any questions, call:

Dacor Customer Service Team
1-800-793-0093 (U.S.A. and Canada)
Monday — Friday 6:00 AM to 5:00 PM Pacific Time
Web site: www.Dacor.com

Have complete model and serial number identification of your refrigerator ready. These numbers are found on a serial plate, located on the right side of the refrigerator liner. Record these numbers on this page for easy access.

Model Number _____

Serial Number _____

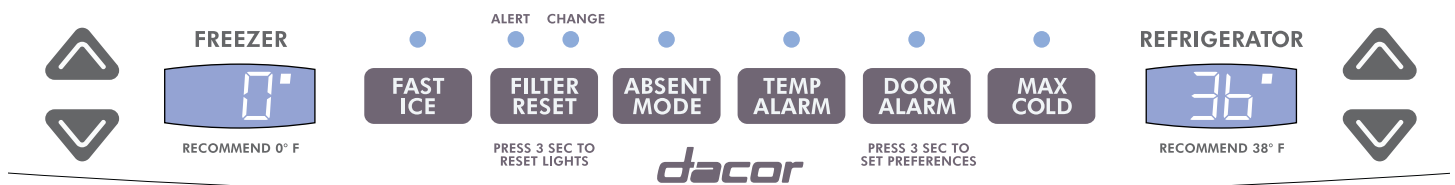
Date of Purchase _____

For service and warranty information, see page 18.

In our continuing effort to improve the quality and performance of our appliances, it may be necessary to make changes to the appliance without revising this guide.

ELECTRONIC CONTROL CENTER

The control center is located at the top front of the fresh food compartment.



INITIAL TEMPERATURE SETTINGS

Temperatures are preset at 37°F (3°C) in the fresh food compartment and 0°F (-18°C) in the freezer compartment. The display will show the average compartment temperatures, based on several measurement points within the compartment.

Note:

Temperatures displayed may vary from set point due to door openings or during defrost. Thermometers placed in the refrigerator may record a temperature slightly above or below the displayed temperature. This is normal as the displayed temperature is an average.

TEMPERATURE ADJUSTMENTS

- Allow the temperature to stabilize for 24 hours after loading the refrigerator before making any temperature adjustments.
- The first touch of the up or down arrow shows the current temperature set point.
- Subsequent touches of the ▲ pad raise the temperature set point or the ▼ pad lowers the temperature set point.
- The display will show the new set point for approximately three seconds, then return to the actual temperature currently within that compartment.
- Limit temperature changes to one degree at a time. Allow the new temperatures to stabilize for 24 hours before making a new temperature adjustment.

FAST ICE

When activated, Fast Ice reduces the freezer temperature to the optimum setting for 24 hours in order to produce more ice.

Note:

When the Fast Ice feature is in operation, the ▼ and ▲ pads for the freezer control will not operate.

RESET FILTER

When a water filter has been installed in the refrigerator, the yellow **Alert** light will illuminate when 90 percent of the volume of water for which the filter is rated has passed through the filter OR 11 months have elapsed since the filter has been installed.

The red **Change** light will illuminate when the rated volume of water has passed through the filter OR 12 months have elapsed since the filter was installed. A new filter should be installed immediately when the **Change** light is illuminated.

After replacing the filter, press and hold the Reset Filter pad for three seconds. The **Alert** and **Change** lights will go off.



ELECTRONIC CONTROL CENTER

ABSENT MODE

**ABSENT
MODE**

The Absent Mode feature causes the freezer to defrost less frequently, conserving energy. The Absent Mode indicator light will illuminate when the feature is activated. To deactivate, press the Absent Mode pad again OR open either door. The indicator light will go out.

Notes:

- Door openings will not deactivate Absence Mode for approximately one hour after activation.
- If vacationing for more than a few days, see the Preparing for Vacation/Absence section on page 14.

TEMP ALARM

**TEMP
ALARM**

The Temp Alarm system will alert you if the freezer or fresh food temperatures exceed normal operating temperatures due to a power outage or other event. When activated, the Temp Alarm light will illuminate.

If the freezer or fresh food temperatures have exceeded these limits, the display will alternately show the current compartment temperatures and the highest compartment temperatures reached when the power was out. An audible alarm will sound repeatedly.

Press the Temp Alarm pad once to stop the audible alarm. The Temp Alarm light will continue to flash and the temperatures will alternate until the temperatures have stabilized.

To turn off Temp Alarm, press and hold the Temp Alarm pad for three seconds. The indicator light will go off.

DOOR ALARM

**DOOR
ALARM**

Press the Door Alarm pad to activate or deactivate the door alarm. The Door Alarm is active when the indicator above the Door Alarm pad is lit.

The Door Alarm alerts you when one of the doors has been left open for five continuous minutes. An audible alarm will sound every few seconds until the door is closed, or the Door Alarm is deactivated.

MAX COOL

**MAX
COLD**

When activated, Max Cool causes the fresh food and freezer temperatures to drop to the minimum settings on the control. This cools down the refrigerator and freezer after extended door openings or when loading the refrigerator or freezer with warm food.

Note:

When the Max Cool feature is in operation, the ▼ and ▲ pads for the refrigerator and freezer controls will not operate.

To activate, press the Max Cool pad. Max Cool will deactivate automatically after 12 hours, OR press the Max Cool pad to deactivate the feature.

USER PREFERENCES

Access the User Preferences menu to:

- Change the temperature display from °F to °C
- Enable or disable audible alarms.
- Activate the Sabbath mode

To access the user preferences menu, press and hold the Door Alarm pad for three seconds. When in the user preferences mode, a short title for the feature will appear in the freezer temperature display and the feature status will appear in the fresh food display.

1. Use the freezer up ▲ and down ▼ control to scroll through the preferences.
2. When the desired preference is displayed, use the fresh food up ▲ and down ▼ control to change the status.
3. When changes are complete, press and hold the Door Alarm pad for three seconds or close the fresh food door(s).

ABOUT THE TEMPERATURE DISPLAY (F_C)

“F” indicates that the temperature is displayed in degrees Fahrenheit. “C” indicates that the temperature is displayed in degrees Celsius.

ABOUT SABBATH MODE (SAB)

When the Sabbath Mode is ON, all control lights and the night light are disabled until the Sabbath feature is turned OFF. This feature does not disable the interior lights. Press any pad on the control center to restore the control lights and turn Sabbath mode to OFF.

ALARM (AL)

When Alarm mode is OFF, all audible alarms will be disabled until the feature is turned ON.

TO TURN YOUR REFRIGERATOR OFF/ON

Press the freezer Up Arrow control repeatedly until “OFF” appears in the freezer display. Allow a few seconds for the refrigerator to shut off. Neither compartment will cool.

Press either the refrigerator or freezer Up Arrow or Down Arrow control to turn on the refrigerator.

WARM CABINET SURFACES

At times, the front of the refrigerator cabinet may be warm to the touch. This is a normal occurrence that helps prevent moisture from condensing on the cabinet. This condition will be more noticeable when the refrigerator is first started, during hot weather and after excessive or lengthy door openings.

REFRIGERATOR COMPARTMENT

SHELVES

Important information to know about glass shelves and covers:

Do not clean glass shelves or covers with warm water when they are cold. Shelves and covers may break if exposed to sudden temperature changes or impact, such as bumping. For your protection, tempered glass is designed to shatter into many small, pebble-size pieces. This is normal. Glass shelves and covers are heavy. Use special care when removing them to avoid impact from dropping.

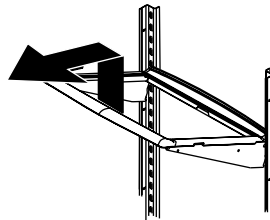
Your refrigerator has Spill-proof Glass Shelves. The Spill-proof shelves have a spill retainer edge which allows for easier clean up and are equipped with a slide out feature. To slide out, grasp the front of the shelf and pull forward. Push in the shelf to return to the original position.

To Remove a Shelf:

- Slightly tilt up the front and lift up the rear of the shelf, then pull the shelf straight out.

To Lock the Shelf Into Another Position:

- Tilt up the front edge of the shelf.
- Insert the hook into the desired frame openings and let the shelf settle into place.
- Be sure the shelf is securely locked at the rear.



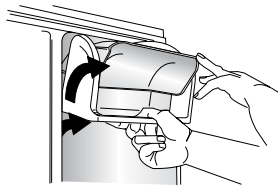
DOOR STORAGE

Dairy Center

The Dairy Center provides convenient door storage for spreadable items such as butter and margarine. This compartment can be moved to different locations to accommodate storage needs. To use the dairy center, raise the cover.

To Remove:

- Raise the cover, pull upward and tilt out.



To Install:

- Slide the Dairy Center in and down until firmly seated in the door liner.

Door Buckets

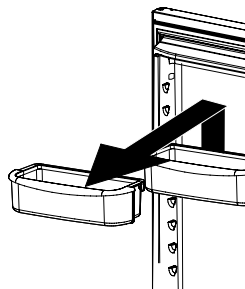
Door Buckets can be moved to meet storage needs.

To Remove:

- Slide bucket up and pull straight out.

To Install:

- Slide bucket in and down until firmly seated in the door liner.



Crisper Drawers

The Crisper Drawers provide a higher humidity environment for fresh fruit and vegetable storage.

Controls

The Crisper Controls regulate the amount of humidity in the crisper drawer. Slide the control toward the Fruit setting for produce with outer skins. Slide the control toward the Vegetables setting for leafy produce.

Vegetables

Fruit

To Remove:

- Pull drawer out to full extension. Tilt up front of drawer and pull straight out.

To Install:

- Insert drawer into frame rails and push back into place.

Note:

For best results, keep the crisper drawers tightly closed.

DELI DRAWER

The Deli Drawer is a full-width drawer with adjustable temperature control. This drawer can be used for large party trays, deli items, beverages or miscellaneous items. There is a divider to organize the drawer into sections if desired.

There is a temperature control which adjusts the amount of cold air allowed into the Deli Drawer. The control is located on the right of the drawer, under the lid.

Set the control to **cold** to provide a normal refrigerator temperature. Set the drawer on the **coldest MAX COLD** setting when a temperature colder than the main refrigerator compartment is desired. Use the coldest setting when storing meats.

Notes:

- Cold air directed to the Deli Drawer can decrease refrigerator temperature. Refrigerator control may need to be adjusted.
- Do not place leafy vegetables in the Deli Drawer. Colder temperatures could damage leafy produce.

To Remove:

- Lift lid. Pull drawer out to full extension. Tilt the drawer front up and pull straight out.

To Install:

- Push metal glide rails to the back of the refrigerator. Place drawer onto rails and slide drawer back until it falls into place.

To Remove Divider:

- Pull drawer completely out and raise the front of the divider to unhook it from the rear wall of the pantry and lift it out.

To Install Divider:

- Hook back of divider over rear wall of pantry and lower into place.

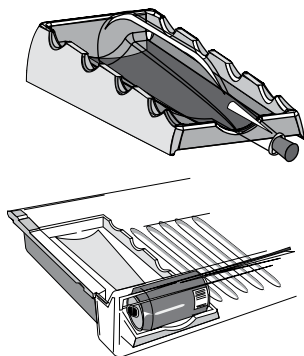
REFRIGERATOR COMPARTMENT

ACCESSORIES

Wine Trivet/Can Rack

The Wine Trivet/Can Rack accessory fits in the Deli Drawer or on a shelf.

Bottles or cans can be laid crosswise, or a single bottle may be laid in the center depression.



Deli Drawer Tray

The Deli Drawer tray allows for a removable tray within the full-width storage drawer.

FREEZER COMPARTMENT

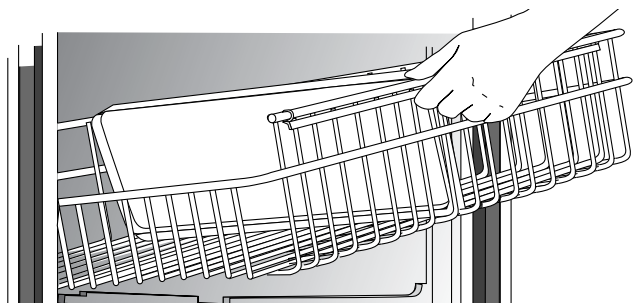
UPPER WIRE BASKET

To Remove:

- Turn off ice maker by raising the ice maker arm (see page 6).
- Pull upper basket out to full extension and lift out to remove.

To Install:

- Slide upper basket into freezer. Make sure that rear of basket hooks behind rail catch.



ACCESSORIES

Ice Bin

The ice bin provides storage for ice.

Lower Basket Divider

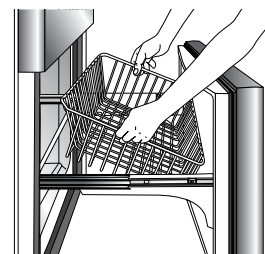
The lower basket divider allows the option to organize the basket area into sections.

To remove and replace divider:

- To remove, pull divider straight up.
- To install, hook top corners of divider over top horizontal basket rungs.

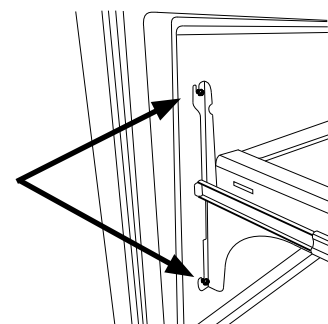
REMOVING THE DRAWER FRONT

1. Pull the freezer drawer completely open.
2. Tilt the lower basket forward and lift to remove.

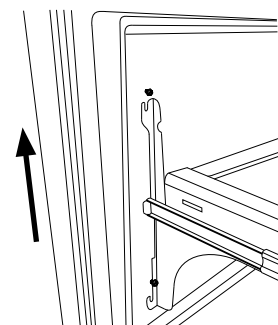


3. Loosen the four (4) screws attaching the drawer brackets to the drawer front as shown below.

NOTE: Loosen the screws only three to four turns. Do not remove the screws from the drawer front.



4. Lift the drawer front upward and off the screws.



REINSTALLING THE DRAWER FRONT

1. Slide the screws on the back of the drawer front into the slots in the drawer brackets on both sides. You may need to move the bottom of the bracket around slightly to get the slot to line up with the screw.
2. Tighten the four front panel screws completely. Do not over-tighten.
3. Place the freezer basket back onto the drawer slides.

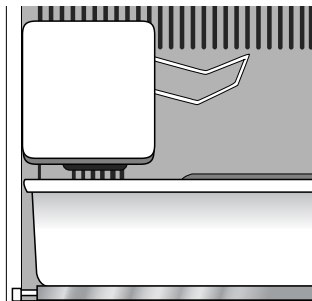
ICE AND WATER

AUTOMATIC ICE MAKER

Connect the ice maker to the water supply as instructed in the installation instructions. **Proper water flow and a level refrigerator are essential for optimal ice maker performance.**

Operating Instructions

- Confirm ice bin is in place and ice maker arm is down.
- After freezer section reaches between 0° to 2°F (-18° to -17° C), ice maker fills with water and begins operating. You will have a complete harvest of ice approximately every three hours.
- Allow approximately 24 hours after installation to receive first harvest of ice.
- Discard ice created within first 12 hours of operation to assure system is flushed of impurities.
- Stop ice production by raising ice maker arm until click is heard.
- Ice maker will remain in the off position until arm is pushed down.
- The first one or two batches will probably contain undersized and irregular cubes because of air in the supply line.
- When the ice cubes are ejected it is normal for several cubes to be joined together at the ends. They can easily be broken apart. The ice maker will continue to make ice until the supply of ice cubes raises the ice maker arm, shutting the ice maker off.
- Certain sounds may accompany the various cycles of the ice maker. The motor may have a slight hum, the cubes will rattle as they fall into an empty storage pan and the water valve may click or “buzz” occasionally.
- If the ice is not used frequently, the ice cubes will become cloudy, shrink, stick together and taste stale. Empty the ice storage bin periodically and wash it in lukewarm water. Be sure to dry the bin thoroughly before replacing it.
- Beverages and foods should not be placed in the ice storage bin for quick chilling. These items can block the ice maker arm, causing the ice maker to malfunction.
- Turn off (arm up) the ice maker when the water supply is to be shut off for several hours.

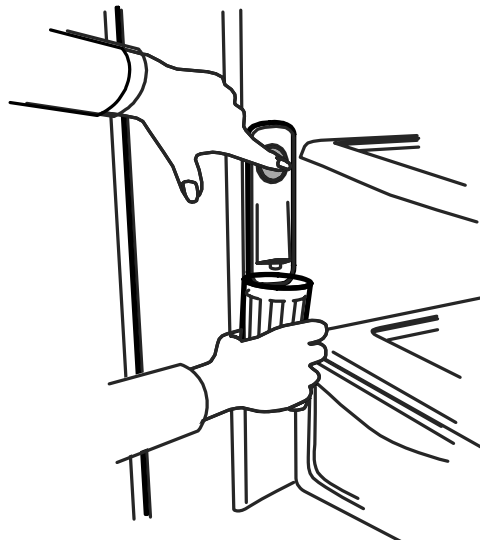


Water Dispenser

The Water Dispenser is located on the left side wall of the fresh food section. This design is for cold water dispensing only.

To Dispense Water:

- Hold container under spout and press dispenser pad.



To Remove the Ice Bin:

- Pull it forward, away from the ice maker. To avoid the ice maker dumping ice while the bin is removed, turn the ice maker off by raising the ice maker arm.

To Install the Ice Bin:

- Reverse the above procedure. Turn the ice maker on by lowering the ice maker arm.

WATER FILTER

REMOVAL AND INSTALLATION

Do not use with water that is microbiologically unsafe or of unknown quality without adequate disinfection before or after the system. Systems certified for cyst reduction may be used on disinfected waters that may contain filterable cysts.

Initial Installation

The water filter is located in the upper right hand corner of the fresh food compartment.

1. Remove blue bypass cap and retain for later use.
2. Remove sealing label from end of filter and insert into filter head.
3. Rotate gently clockwise until filter stops. Snap filter cover closed.
4. Reduce water spurts by flushing air from system. Run water continuously for two minutes through dispenser until water runs steady. During initial use, allow about a one- to two-minute delay in water dispersal to allow internal water tank to fill.
 - Additional flushing may be required in some households where water is of poor quality.

Replacing the Water Filter

IMPORTANT: Air trapped in system may cause water and cartridge to eject. Always dispense water for two minutes before removing the filter for any reason. Use caution when removing.

1. Turn filter counterclockwise until it releases from filter head.
2. Drain water from filter into sink, and dispose of filter in normal household trash.
3. Wipe up excess water in filter cover and continue with Initial Installation, steps 2 through 4.

The filter should be changed at least every 12 months.

Important: Condition of water and amount used determines life span of water filter cartridge. If water use is high, or if water is of poor quality, replacement may need to take place more often.

To replacement filter cartridges or for service, contact your local dealer or Dacor Customer Service, 1-800-793-0093. (U.S.A. and Canada)

The dispenser feature may be used without a water filter cartridge. If you choose this option, replace filter with blue bypass cap.

State of California
Department of Health Services

Water Treatment Device
Certificate Number
03 - 1583

Date Issued: September 16, 2003
Date Revised: April 22, 2004

Trademark/Model/Description	Registration/Evidence
UKF8001ANX750 46906-750 6700323-750	13CF8001ANXX 46 9206 6700323

Manufacturer: Puriflow Inc.

The water treatment device(s) listed on this certificate have met the testing requirements pursuant to Section 126050 of the Health and Safety Code for the following health related contaminants:

Microbiological Contaminants and Toxins:	Inorganic Inorganic Contaminants:
Cysts Toxicity	Arsenic Lead Mercury

Organic Contaminants:

Atrazine Lincham Hexachlorocyclopentadiene p-Dichlorobenzene Toxaphene
--

Rated Filter Capacity: 130 gal	Rated Filter Flow: 0.78 gpm
--------------------------------	-----------------------------

Conditions of Certification:
Do not use where water is microbiologically unsafe or with water of unknown quality, except that systems certified for cyst reduction may be used on disinfected water that may contain filterable cysts.

PERFORMANCE DATA

Standard No. 42: Aesthetic Effects

Parameter	USEPA MCL	Influent Challenge Concentration	Influent Average	Effluent		% Reduction		Min. Required Reduction
				Average	Maximum	Average	Minimum	
Chlorine	-	2.0 mg/L ± 10%	1.88 mg/L	<0.05136364 mg/L	0.06 mg/L	>97.26	96.84	50%
Taste and Odor	-	-	-	-	-	-	-	-
Particulate**	-	at least 10,000 particles/ml	5,700,000 #/ml	30,583 #/ml	69,000 #/ml	99.52	98.94	85%

Standard No. 53: Health Effects

Parameter	USEPA MCL	Influent Challenge Concentration	Influent Average	Effluent		% Reduction		Min. Required Reduction
				Average	Maximum	Average	Minimum	
Turbidity	1 NTU**	11 ± 1 NTU***	10.7 NTU	0.31 NTU	.049 NTU	97.09	95.20	0.5 NTU
Cysts	99.5% Reduction	Minimum 50,000/L	166,500 #/L	<1 #/L	<1 #/L	>99.99	>99.99	>99.99%
Asbestos	99% Reduction	10 ⁷ 10 ⁸ fibers/L; fibers > micrometers in length	155 MF/L	<1 MF/L	<1 MF/L	>99.99	>99.99	99%
Lead at pH 6.5	0.015 mg/L	0.15 mg/L +10%	0.153 mg/L	<.001 mg/L	<.001 mg/L	>99.35	>99.29	0.10 mg/L
Lead at pH 8.5	0.015 mg/L	0.15 mg/L +10%	0.150 mg/L	<.001 mg/L	<.001 mg/L	>99.33	>99.29	0.10 mg/L
Mercury at pH 6.5	0.002 mg/L	.006 mg/L ± 10%	0.006 mg/L	0.0003 mg/L	0.0005 mg/L	95.70	90.91	0.002 mg/L
Mercury at pH 8.5	0.002 mg/L	.006 mg/L ± 10%	0.006 mg/L	0.0008 mg/L	0.0015 mg/L	86.22	75.93	0.002 mg/L
Atrazine	0.003 mg/L	0.009 mg/L + 10%	0.009 mg/L	<0.002 mg/L	0.002 mg/L	76.99	75.31	0.003 mg/L
Benzene	0.005 mg/L	0.015 mg/L ± 10%	0.014 mg/L	0.0006 mg/L	0.0011 mg/L	95.71	92.14	0.005 mg/L
Carbofuran	0.04 mg/L	0.08 mg/L ± 10%	0.081 mg/L	<0.001 mg/L	<0.001 mg/L	98.74	98.46	0.04 mg/L
p-Dichlorobenzene	0.075 mg/L	.225 mg/L ± 10%	0.208 mg/L	<0.0005 mg/L	<0.0005 mg/L	99.76	99.74	0.075 mg/L
Lindane	0.0002 mg/L	0.002 mg/L ± 10%	0.002 mg/L	0.000 mg/L	<0.0001 mg/L	98.72	96.50	0.0002 mg/L
Toxaphene	0.003 mg/L	0.015 ± 10%	0.015 mg/L	<0.001 mg/L	<0.001 mg/L	92.97	91.67	0.003 mg/L

* Tested using a flow rate of 0.78 gpm; pressure of 60 psig; pH of 7.5 + 0.5; temp. of 68° + 5°F (20° + 3°C)

** Measurement in particules/ml. Particules used were 0.5 - 1 microns

*** NTU - Nephelometric Turbidity Units

SPECIFICATIONS

Rated Flow: .78 gpm (2.9 L/min)
 Min. Op. Temp: 33°F (.6°C)
 Max. Op. Temp: 100°F (38°C)
 Min. Op. Press: 35 psi (241 kPa)
 Max. Op. Press: 120 psi (827 kPa)



System tested and certified by NSF International against NSF/ANSI Std 42 for the reduction of Chlorine Taste and Odor, Particulate Class I and against NSF/ANSI 53 for the reduction of Cysts, Turbidity, Asbestos, Mercury, Lead, Benzene, p-Dichlorobenzene, Carbofuran

General Use Conditions

Read this Performance Data Sheet and compare the capabilities of this unit with your actual water treatment needs.

DO NOT use this product where water is microbiologically unsafe or of unknown quality without adequate disinfection before or after the system. System certified for cyst reduction may be used on disinfected water that may contain filterable cysts.

USE ONLY WITH COLD WATER SUPPLY. CHECK FOR COMPLIANCE WITH THE STATE AND LOCAL LAWS AND REGULATIONS.

Timely replacement of filter cartridge is essential for performance satisfaction from this filtration system. Please refer to the applicable section of your Use and Care Guide for general operation, maintenance requirements and troubleshooting.

This system has been tested according to ANSI/NSF 42 and 53 for reduction of the substances listed above. The concentration of the indicated substances in water entering the system was reduced to a concentration less than or equal to the permissible limit for water leaving the system, as specified in ANSI/NSF 42 and 53.

FOOD STORAGE TIPS

FRESH FOOD STORAGE

- The fresh food compartment of a refrigerator should be kept between 34°-40°F (1°-4°C) with an optimum temperature of 37°F (3°C). To check the temperature, place an appliance thermometer in a glass of water and place in the center of the refrigerator. Check after 24 hours. If the temperature is above 40°F (4°C) adjust the controls as explained on page 2.
- Avoid overcrowding the refrigerator shelves. This reduces the circulation of air around the food and results in uneven cooling.

Fruits and Vegetables

- Storage in the crisper drawers traps humidity to help preserve the fruit and vegetable quality for longer time periods (see page 4).
- Sort fruits and vegetables before storage and use bruised or soft items first. Discard those showing signs of decay.
- Always wrap odorous foods such as onions and cabbage so the odor does not transfer to other foods.
- While vegetables need a certain amount of humidity to remain fresh, too much humidity can shorten storage times (especially leafy vegetables). Drain vegetables well before storing.
- Wait to wash fresh produce until right before use.

Meat and Cheese

- Raw meat and poultry should be wrapped securely so leakage and contamination of other foods or surfaces does not occur.
- Occasionally mold will develop on the surface of hard cheeses (Swiss, Cheddar, Parmesan). Cut off at least an inch around and below the moldy area. Keep your knife or instrument out of the mold itself. Do not try to save individual cheese slices, soft cheese, cottage cheese, cream, sour cream or yogurt when mold appears.

Dairy Food

- Most dairy foods such as milk, yogurt, sour cream and cottage cheese have freshness dates on their cartons for appropriate length of storage. Store these foods in the original carton and refrigerate immediately after purchasing and after each use.

FROZEN FOOD STORAGE

- The freezer compartment of a refrigerator should be kept at approximately 0°F (-18°C). To check the temperature, place an appliance thermometer between the frozen packages and check after 24 hours. If the temperature is above 0°F (-18°C), adjust the control as described on pages.
- A freezer operates more efficiently when it is at least two-thirds full.

Packaging Foods for Freezing

- To minimize dehydration and quality deterioration use aluminum foil, freezer wrap, freezer bags or airtight containers. Force as much air out of the packages as possible and be sure they are tightly sealed. Trapped air can cause the food to dry out, change color and develop an off-flavor (freezer burn).
- Wrap fresh meats and poultry with suitable freezer wrap prior to freezing.
- Do not refreeze meat that has completely thawed.

Loading the Freezer

- Avoid adding too much warm food to the freezer at one time. This overloads the freezer, slows the rate of freezing and can raise the temperature of frozen foods.
- Leave space between the packages so cold air can circulate freely, allowing food to freeze as quickly as possible.
- Avoid storing hard-to-freeze foods such as ice cream and orange juice on the freezer door shelves. These foods are best stored in the freezer interior where the temperature varies less with door openings.

Refer to the Food Storage Chart on pages 10-11 for approximate storage times.

FOOD STORAGE TIPS

Food Storage Chart

Storage times are approximate and may vary depending on type of packaging, storage temperature, and the quality of the food when purchased.

FOODS	REFRIGERATOR	FREEZER	STORAGE TIPS
DAIRY PRODUCTS			
Butter	1 month	6 to 9 months	Wrap tightly or cover.
Milk and cream	1 week	Not recommended	Check carton date. Close tightly. Don't return unused portions to original container. Don't freeze cream unless whipped.
Cream cheese, cheese spread and cheese food	1 to 2 weeks	Not recommended	Wrap tightly.
Cottage cheese	3 to 5 days	Not recommended	Store in original carton. Check carton date.
Sour cream	10 days	Not recommended	Store in original carton. Check carton date.
Hard cheese (Swiss, Cheddar and Parmesan)	1 to 2 months	4 to 6 months May become crumbly	Wrap tightly. Cut off any mold.
EGGS			
Eggs in the shell	3 weeks	Not recommended	Refrigerate small ends down.
Leftover yolks or whites	2 to 4 days	9 to 12 months	For each cup of yolks to be frozen, add 1 tsp. sugar for use in sweet, or 1 tsp. salt for non-sweet dishes.
FRUITS			
Apples	1 month	8 months (cooked)	May also store unripe or hard apples at 60° to 70°F (16° to 21°C).
Bananas	2 to 4 days	6 months (whole/peeled)	Ripen at room temperature before refrigerating. Note: Bananas will darken when refrigerated.
Pears, plums, avocados	3 to 4 days	Not recommended	Ripen at room temperature before refrigerating. Note: Avocados will darken when refrigerated.
Berries, cherries, apricots	2 to 3 days	6 months	Ripen at room temperature before refrigerating.
Grapes	3 to 5 days	1 month (whole)	Ripen at room temperature before refrigerating.
Citrus fruits	1 to 2 weeks	Not recommended	May also store at 60° to 70°F (16° to 21°C). If refrigerated, store uncovered.
Pineapples, cut	2 to 3 days	6 to 12 months	Will not ripen after purchase. Use quickly.
VEGETABLES			
Asparagus	1 to 2 days	8 to 10 months	Do not wash before refrigerating. Store in crisper.
Brussels sprouts, broccoli, cauliflower, green peas, lima beans, onions, peppers	3 to 5 days	8 to 10 months	Wrap odorous foods. Leave peas in pods.
Cabbage, celery	1 to 2 weeks	Not recommended	Wrap odorous foods and refrigerate in crisper.
Carrots, parsnips, beets and turnips	7 to 10 days	8 to 10 months	Remove tops. Wrap odorous foods and refrigerate in crisper.
Lettuce	7 to 10 days	Not recommended	
POULTRY and FISH			
Chicken and Turkey, whole	1 to 2 days	12 months	Keep in original packaging for refrigeration. Place in the Deli Drawer on coldest setting. When freezing longer than two weeks, wrap with freezer wrap.
Chicken and Turkey, pieces	1 to 2 days	9 months	
Fish	1 to 2 days	2 to 6 months	

Continued...

FOOD STORAGE TIPS

FOODS	REFRIGERATOR	FREEZER	STORAGE TIPS
MEATS			
Bacon	7 days	1 month	
Beef or lamb, ground	1 to 2 days	3 to 4 months	Fresh meats can be kept in original packaging for refrigeration.
Beef or lamb, roast and steak	3 to 5 days	6 to 9 months	Place in the Deli Drawer on coldest setting. When freezing longer than two weeks, wrap with freezer wrap
Ham, full cooked, whole	7 days	1 to 2 months	
half	5 days	1 to 2 months	
slices	3 days	1 to 2 months	
Luncheon meat	3 to 5 days	1 to 2 months	Unopened, vacuum-packed luncheon meat may be kept up to two weeks in the Deli Drawer on coldest setting.
Pork, roasts	3 to 5 days	4 to 6 months	
Pork, chops	3 to 5 days	4 months	
Sausage, ground	1 to 2 days	1 to 2 months	
Sausage, chops	7 days	1 to 2 months	
Veal	3 to 5 days	4 to 6 months	
Frankfurters	7 days	1 month	Processed meats should be tightly wrapped and stored in the Deli Drawer on coldest setting.

Sources: United States Department of Agriculture; Food Marketing Institute; Cooperative Extension Service, Iowa State University

CARE AND CLEANING

⚠ WARNING

<p>Explosion Hazard Use nonflammable cleaner. Failure to do so can result in death, explosion, or fire.</p>

Refrigerator Cleaning Chart

PART	DO NOT USE	DO
Cabinet Interior	Abrasive or harsh cleaners Ammonia Chlorine bleach Concentrated detergents or solvents Metal or plastic-textured scouring pads	Use 4 tablespoons of baking soda dissolved in 1 quart (1 liter) warm soapy water. Rinse surfaces with clean warm water and dry immediately to avoid water spots.
Stainless Steel Doors and Exterior IMPORTANT: <i>Damage to stainless steel finish due to improper use of cleaning products or non-recommended products is not covered under this product's warranty.</i>	Abrasive or harsh cleaners Ammonia Chlorine bleach Concentrated detergents or solvents Metal or plastic-textured scouring pads Vinegar-based products Citrus-based cleaners	Use warm, soapy water and a soft, clean cloth or sponge. Rinse surfaces with clean warm water and dry immediately to avoid water spots.
Door Gaskets	Metal or plastic-textured scouring pads	Use warm, soapy water and a soft, clean cloth or sponge.
Condenser Coil <i>Remove base grille to access.</i>	Anything other than a vacuum cleaner	Use a vacuum cleaner hose nozzle.
Condenser Fan Outlet Grille <i>See back of refrigerator.</i>		Use a vacuum cleaner hose nozzle with brush attachment.
Accessories <i>Shelves, buckets, drawers, etc.</i>	A dishwasher	Follow removal and installation instructions from appropriate feature section. Allow items to adjust to room temperature. Dilute mild detergent and use a soft clean cloth or sponge for cleaning. Use a plastic bristle brush to get into crevices. Rinse surfaces with clean warm water. Dry glass and clear items immediately to avoid spots.

CARE AND CLEANING

REMOVING ODORS FROM THE REFRIGERATOR

Important information to know about glass shelves and covers:

Do not clean glass shelves or covers with warm water when they are cold. Shelves and covers may break if exposed to sudden temperature changes or impact, such as bumping. For your protection, tempered glass is designed to shatter into many small, pebble-size pieces. This is normal. Glass shelves and covers are heavy. Use special care when removing them to avoid impact from dropping.

1. Remove all food and turn the refrigerator OFF.
2. Disconnect power to the refrigerator.
3. Clean the walls, floor, ceiling of cabinet interior, drawers, shelves and gaskets according to the instructions on page 12.
4. Dilute mild detergent and brush solution into crevices using a plastic bristle brush. Let stand for 5 minutes. Rinse surfaces with warm water. Dry surfaces with a soft, clean cloth.
5. Wash and dry all bottles, containers and jars. Discard spoiled or expired items.
6. Wrap or store odor-causing foods in tightly sealed containers to prevent recurring odors.
7. Reconnect power to refrigerator and return food to refrigerator.
8. Allow the refrigerator to cool.
9. After 24 hours, check if odor has been eliminated.

If odor is still present:

1. Remove drawers and place on top shelf of refrigerator.
2. Pack refrigerator and freezer sections – including doors – with crumpled sheets of black and white newspaper.
3. Place charcoal briquettes randomly on crumpled newspaper in both freezer and refrigerator compartments.
4. Close doors and let stand 24 to 48 hours.

ENERGY SAVING TIPS

- Avoid overcrowding refrigerator shelves. Overcrowding reduces air circulation around food and causes refrigerator to run longer.
- Avoid adding too much warm food to refrigerator at one time. This overloads compartments and slows rate of cooling.
- Do not use aluminum foil, wax paper, or paper toweling as shelf liners. This decreases air flow and causes refrigerator to run less efficiently.
- A freezer that is two-thirds full runs most efficiently.
- Locate refrigerator in coolest part of room. Avoid areas of direct sunlight, or near heating ducts, registers or other heat producing appliances. If this is not possible, isolate exterior by using a section of cabinet or an added layer of insulation.
- Clean door gaskets every three months according to cleaning instructions. This will assure that the door seals properly and refrigerator runs efficiently.
- Take time to organize items in refrigerator to reduce time that door is open.
- Be sure your doors are closing securely by leveling refrigerator as instructed in your installation instructions.
- Clean condenser coils as indicated in the cleaning instructions every three months. This will increase energy efficiency and cooling performance.

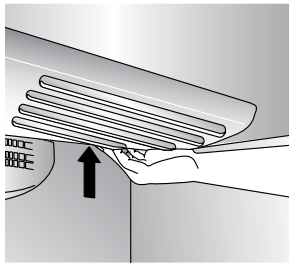
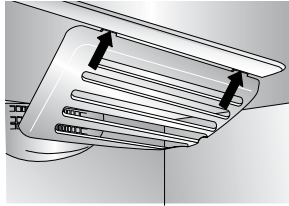
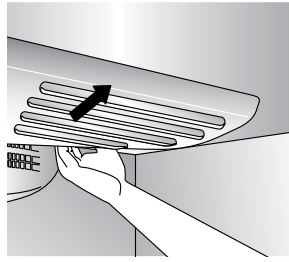
FRESH FOOD SECTION REPLACING LIGHT BULBS

1. Slide clear light shield toward back of compartment to release from light assembly.
2. Remove light bulbs.
3. Replace with appliance bulbs **no greater than 40 watts**.
4. Replace light bulb cover by inserting tabs on light shield into liner holes on each side of light assembly. Slide shield toward front of refrigerator until it locks into place. Do not force shield beyond locking point. Doing so may damage light shield.

CARE AND CLEANING

FREEZER SECTION

1. Reach behind the light cover.
2. With firm pressure, press forward on the notches at the back of the cover and pull down. The cover will open from the back.
3. Remove the cover.
4. Remove light bulb.
5. Replace bulb with appliance bulb **no greater than 40 watts**.
6. Insert front tabs of light cover into slots in freezer liner and snap rear portion over light assembly until rear tab engages.



3. If your refrigerator has a dispenser system with water filter, remove the water filter cartridge and install the filter bypass. Dispose of the used cartridge.
4. Turn the freezer control to **OFF**.
5. Unplug the refrigerator.
6. Thoroughly clean the interior of both compartments with a baking soda solution and a clean soft cloth (four tablespoons of baking soda in one quart of warm water).
7. Dry thoroughly.
8. Leave the doors open to prevent the formation of mold and mildew.

UPON YOUR RETURN

After a short vacation or absence:

For models with automatic ice makers or dispensers:

- Reconnect the water supply and turn on supply valve.
- Monitor water connection for 24 hours and correct leaks if necessary.
- Run 10-15 glasses of water from the dispenser to flush out the system.
- Restart the ice maker by lowering the ice maker arm.
- Discard at least the first three ice harvests.

After a long vacation or absence:

- Reconnect the water supply and turn on supply valve.
- Plug the refrigerator back in and reset controls (see page 2).
- Monitor water connection for 24 hours and correct leaks, if necessary.

For dispenser models, run water through the dispenser for at least three minutes with the filter bypass in place, then install water filter (see page 7).

- After installing the water filter, run water through the dispenser continuously for at least two minutes, or until water runs steady. Initially you may notice a one to two minute delay in water dispersal as the internal tank fills.
- Restart the ice maker by lowering the ice maker arm.
- Discard ice produced within the first 12 hours (at least the first three harvests).

PREPARING FOR VACATION/ABSENCE

When Moving Your Refrigerator:

Your refrigerator is heavy. When moving the refrigerator for cleaning or service, be sure to protect the floor. Always pull the refrigerator straight out when moving it. Do not wiggle or “walk” the refrigerator when trying to move it, as floor damage could occur.

For short vacations or absences (three months or less):

1. Remove all perishables.
2. If no one will be checking in on the refrigerator during your absence, remove all frozen items also.
3. If your refrigerator has an automatic ice maker:
 - Shut off the water supply to the ice maker at least one day ahead of time.
 - After the last load of ice drops, raise the wire shut off arm to the OFF position.
 - Empty the ice bin.
4. If the room temperature will drop below 55°F (13°C), follow the instructions for longer absences.

For long vacations, absences (more than three months) OR if the room temperature will drop below 55°F (13°C):

1. Remove food.
2. If your refrigerator has an automatic ice maker:
 - Shut off the water supply to the ice maker at least one day ahead of time.
 - After the last load of ice drops, raise the wire shut off arm to the OFF position.
 - Empty the ice bin.

PREPARING TO MOVE

⚠ WARNING

Excessive Weight Hazard

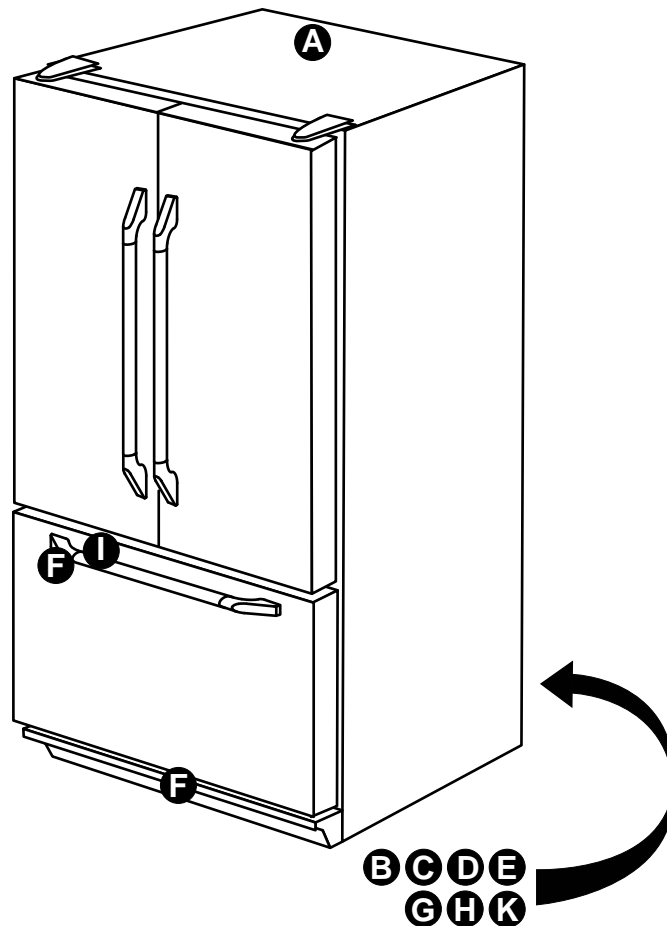
Use two or more people to move and install refrigerator. Failure to do so can result in back or other injury.

- Follow the above instructions for long vacations/absences, through step 7.
- Secure all loose items such as shelves and drawers by taping them securely in place to prevent damage.
- Tape the doors shut.
- Use an appliance dolly when moving the refrigerator. Always truck the refrigerator from its side or back - never from its front.
- Be sure the refrigerator stays in an upright position during moving.

OPERATING SOUNDS

Improvements in refrigeration design may produce sounds in your new refrigerator that are different or were not present in an older model. These improvements were made to create a refrigerator that is better at preserving food, is more energy efficient, and is quieter overall. Because new refrigerators run quieter, sounds may be detected that were present in older refrigerators, but were masked by higher sound levels. Many of these sounds are normal. Please note that the surfaces adjacent to a refrigerator, such as hard walls, floors and cabinets may make these sounds seem even louder. The following are some of the normal sounds that may be noticed in a new refrigerator.

Sound	Possible Cause	Solution
Clicking	Motorized device (A) sounds like an electric clock and snaps in and out.	Normal operation
Air rushing or whirring	Freezer fan (B) and condenser fan (C) make this noise while operating.	Normal operation
Gurgling or boiling sound	Evaporator (D) and heat exchanger (E) refrigerant makes this noise when flowing.	Normal operation
Thumping	Ice cubes from ice maker drop into ice bucket (F) .	Normal operation
Vibrating noise	Compressor (G) makes a pulsating sound while running.	Normal operation
	Refrigerator is not level.	See Installation Instructions for details on how to level your refrigerator
Buzzing	Ice maker water valve (H) hookup buzzes when ice maker fills with water.	Normal operation
Humming	Ice maker (I) is in the 'ON' position without water connection.	Stop sound by raising the ice maker arm to 'OFF' position (see page 6).
	Compressor (G) can make a high-pitched hum while operating.	Normal operation
Hissing or popping	Defrost heater (K) hisses, sizzles or pops when operational.	Normal operation



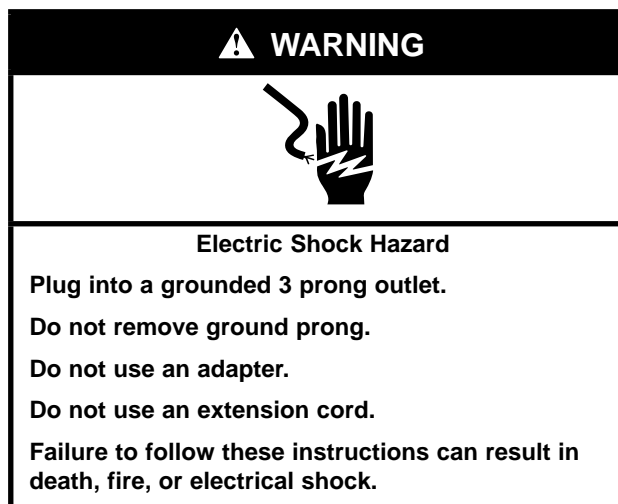
ACCESSORIES

Description	Part Number
Vertical stainless steel panel trim kit for model PF36	AFM36VSP
Epicure black chrome trim style handle kit for Dacor EF36 and PF36 2 door models	AFE36H2BC
Epicure black chrome trim style handle kit for Dacor EF36 and PF36 3 door models	AFE36H3BC
Epicure brass trim style handle kit for Dacor EF36 and PF36 2 door models	AFE36H2BR
Epicure brass trim style handle kit for Dacor EF36 and PF36 3 door models	AFE36H3BR
Epicure chrome trim style handle kit for Dacor EF36 and PF36 2 door models	AFE36H2CH
Epicure chrome trim style handle kit for Dacor EF36 and PF36 3 door models	AFE36H3CH
Epicure copper trim style handle kit for Dacor EF36 and PF36 2 door models	AFE36H2CP
Epicure copper trim style handle kit for Dacor EF36 and PF36 3 door models	AFE36H3CP
Millennia style handle kit for Dacor EF36 and PF36 2 door models	AFM36H2
Millennia style handle kit for Dacor EF36 and PF36 3 door models	AFM36H3
Preference style handle kit for Dacor EF36 and PF36 2 door models	AFP36H2
Preference style handle kit for Dacor EF36 and PF36 3 door models	AFP36H3

The above accessories are available from your Dacor dealer, or visit www.everythingdacor.com.

BEFORE YOU CALL FOR SERVICE

Before you call for service, please consult the **TROUBLESHOOTING GUIDE** below.



TROUBLESHOOTING GUIDE

FRESH FOOD OR FREEZER DOOR DIFFICULT TO OPEN.

- Due to air flow between the compartments, it may be difficult to open the doors for several seconds after one of them is closed.

DISPENSER WILL NOT DISPENSE WATER OR ICE (SELECT MODELS).

- A water filter, or the filter bypass plug must be in place.
- Door is open.
- Water supply turned off.
- Water pressure too low.
- Lock switch on.
- Ice jam in the dispenser.
- Ice maker not operating.

WILL NOT RUN.

- Power cord not plugged in.
- No power at the electrical outlet.
- Circuit breaker tripped or house fuse blown.
- Reset control.
- Check Sabbath mode setting.

RUNS TOO LONG/TOO FREQUENTLY.

- Today's energy efficient refrigerators are larger and require more running time to maintain stable temperatures.
- Prolonged door openings.
- Too many door openings.
- Condenser needs cleaning.
- The door not sealing (due to a package or a container holding door open).
- Warm room temperature.

NOISY OPERATION.

- Cabinet not level.
- Weak floor.
- See Normal Operating Sounds

ODOR IN CABINET.

- Odor producing foods should be covered or wrapped.
- Interior needs cleaning.

CABINET VIBRATES.

- Cabinet not level.
- Weak floor.
- Improper installation.

MOISTURE ON INSIDE CABINET WALLS.

- Can occur during hot, humid weather with frequent or prolonged door openings.
- Door not closed properly.

EXCESSIVE MOISTURE IN OR AROUND DELI DRAWER.

- Food not wrapped properly.
- Hot, humid weather.

REFRIGERATOR COMPARTMENT TOO COLD.

- Refrigerator temperature set too cold.

REFRIGERATOR OR FREEZER COMPARTMENT TOO WARM.

- Refrigerator or freezer temperature set too warm.
- Prolonged door openings.

FREEZER NOT FREEZING PROPERLY.

- Products with high sugar content may not harden completely when frozen (ice cream, concentrated juice, etc.) Do not store in door.
- Adjust freezer temperature to a colder setting.

ICE CUBES EVAPORATE.

- Cold air moving over the ice cubes causes shrinkage, especially with limited usage. This is normal.

AUTOMATIC ICE MAKER NOT OPERATING.

- Wire lever arm in up (OFF) position.
- Water supply turned off.
- Water pressure too low.
- Freezer too warm.
- Install filter or filter bypass.

FRONT CABINET SURFACE WARM TO THE TOUCH.

- Special design to limit condensation during periods of high humidity.

WARRANTY AND SERVICE

Product Maintenance

No maintenance, other than the **CARE AND CLEANING INSTRUCTIONS** identified in this use and care manual, should be attempted by the owner/operator. All other maintenance and service must be performed by a qualified appliance technician.

If You Need Service...

First, review the recommended checks listed in the preceding **Before You Call for Service** section. Then, be certain that the appliance has been installed properly and is being operated correctly. Familiarize yourself with the warranty terms and conditions listed in the **PRODUCT WARRANTY** section.

If the above checks have been completed and the problem has not yet been remedied, call your local authorized DACOR service representative. Your dealer can normally provide the name and telephone number of the nearest service company.

DACOR works diligently to ensure your satisfaction when service is necessary. However, if you are not completely satisfied with the service provided, contact the company that performed the service and express why you are not pleased. Normally, they will be willing and able to resolve the problem.

If the service agency is not able to respond effectively, call or write the DACOR Customer Service.

Dacor Customer Service Team
1440 Bridge Gate Drive
Diamond Bar CA 91765

Telephone: 800-793-0093
Fax: 626-403-3130
Hours of Operation: Monday through Friday
6:00 AM - 5:00 PM Pacific Time
Web Site: www.Dacor.com

Please include your telephone number if you choose to write. We will then do our utmost to assure your happiness and satisfaction.

What is Covered

CERTIFICATE OF WARRANTIES
DACOR REFRIGERATORS

WITHIN THE FIFTY STATES OF THE U.S.A., THE DISTRICT OF COLUMBIA AND CANADA*:

FULL ONE YEAR WARRANTY

One (1) year - From the date of original retail purchase, any part that fails in normal home use will be repaired or replaced free of charge. Ice Maker - When purchased with the refrigerator and installed by the dealer the ice maker will be considered part of the refrigerator for warranty purposes.

LIMITED WARRANTY

Major Refrigeration Components

Second Through Fifth Year - After the first year from the date of original purchase, through the fifth year, Dacor will repair or replace, at its option, free of charge for parts and labor only, any part of the sealed refrigeration system (consisting of the compressor, evaporator, condenser, drier and connecting tubing) and the cabinet liner (exclusive of the door liner) which fail in normal home use. All other costs, including mileage, transportation, trip charge and diagnostic charge, if required, shall be the responsibility of the owner.

LIMITED WARRANTY

AquaClean Water Filter, if equipped

30 days - From the original retail purchase date, any part of the water filter cartridge which fails due to a defect in workmanship or materials will be replaced free of charge.

LIMITED WARRANTY

Other Parts

Second Year - Parts other than major refrigeration components which fail in normal home use during the second year following the date of original retail purchase will be repaired or provided free of charge for the part itself, with the owner paying all other costs, including labor, mileage, transportation, trip charge and diagnostic charge, if required.

NOTE

The full warranty and the limited warranties apply when the refrigerator is located in the United States or Canada. Refrigerators located elsewhere are covered by the limited warranties only including parts that fail during the first year.

CANADIAN RESIDENTS

The above warranties only cover an appliance installed in Canada that has been certified or listed by appropriate test agencies for compliance to a National Standard of Canada unless the appliance was brought into Canada due to transfer of residence from the United States to Canada.

LIMITATIONS OF LIABILITY

The warrantor shall not be liable for any incidental or consequential damages, including food loss. Some states do not allow the exclusion or limitation of consequential damages, so the above limitation or exclusion may not apply to you.

What is Not Covered

- Conditions and damages resulting from any of the following:
 - Improper installation, delivery, or maintenance.
 - Any repair, modification, alteration, or adjustment not authorized by the manufacturer or an authorized servicer.
 - Misuse, abuse, accidents, or unreasonable use.
 - Incorrect electric current, voltage, or supply.
 - Improper setting of any control.
- Warranties are void if the original serial numbers have been removed, altered or cannot be readily determined.
- Light bulbs.
- Products purchased for commercial or industrial use.
- The cost of service or service call to:
 - Correct installation errors.
 - Instruct the user on the proper use of the product.
 - Transport the appliance to the servicer.
- Consequential or incidental damages sustained by any person as a result of any breach of these warranties. Some states do not allow the exclusion or limitation of consequential or incidental damages, so the above exclusion may not apply.

NOTES

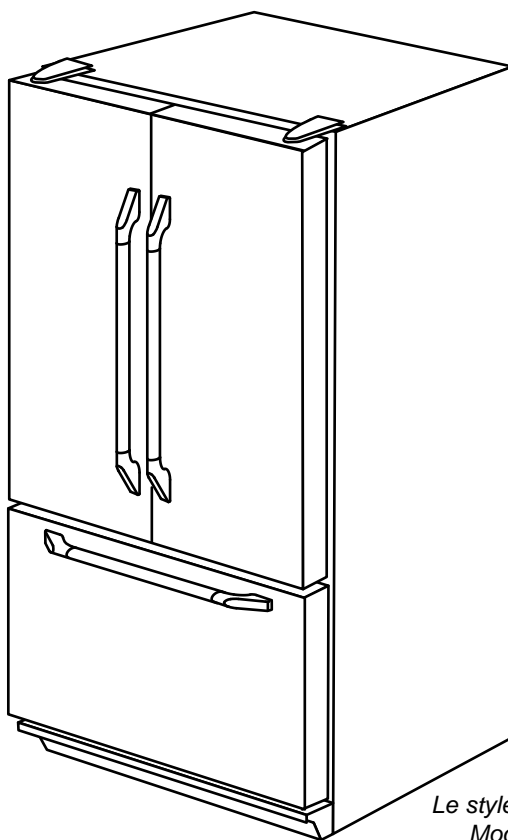
NOTES

MANUEL D'UTILISATION ET D'ENTRETIEN

RÉFRIGÉRATEUR DE 36 POUCES

MODÈLES À 2 ET 3 PORTES

Pour utilisation avec les modèles:
EF36, IF36, PF36



*Le style varie
Modèle illustré EF36BNFSS*

Table Des Matières

Instructions Importantes de Sécurité.....	23
Renseignements Importants.....	24
Centre de Commandes Électroniques	24-25
Compartiment de Réfrigération	26-27
Compartiment de Congélation.....	27
Glaçons et Eau	28
Filtre à Eau	29
Données sur La Performance	30
Conseils Pour La Conservation Des Aliments	31-33
Entretien et Nettoyage	34-37
Bruits de Fonctionnement	37
Accessoires	38
Avant de Demander une Réparation.....	39
Garantie et Service	40-41
Notes	42
Bon de Garantie	43



Chère cliente, cher client:

Félicitations pour votre achat de l'un des tout derniers produits Dacor®! Notre combinaison de caractéristiques, de style et de rendement font de nous The Life of the Kitchen™ (La vie de la cuisine) et un produit qui embellit votre intérieur.

Afin de vous familiariser avec les commandes, les fonctions et tout le potentiel de votre nouvel appareil, nous vous suggérons de lire attentivement le présent Manuel d'utilisation et d'entretien, en commençant par la section Instructions importantes de sécurité.

Tous les appareils ménagers Dacor sont conçus et fabriqués avec qualité et fierté, deux mots qui caractérisent les valeurs de notre compagnie. Pour tout problème avec votre produit, veuillez d'abord consulter la section Avant de demander une réparation du présent guide. Vous y trouverez des suggestions et solutions utiles qui pourront vous éviter une réparation.

Les commentaires de nos clients nous aident à constamment améliorer nos produits et services alors n'hésitez pas à communiquer avec notre équipe du service à la clientèle pour tous vos besoins liés au support technique.

Équipe de service à la clientèle Dacor
1440 Bridge Gate Drive
Diamond Bar, CA 91765

Téléphone: (800) 793-0093
Télécopieur: (626) 403-3130
Heures d'ouverture: Du Lundi au Vendredi
De 6 h à 17 h, heure normale du Pacifique
Site Web: www.Dacor.com

Merci d'avoir choisi Dacor pour votre domicile. Nous sommes une compagnie construite par des familles pour les familles et nous nous engageons à servir la vôtre. Nous sommes convaincus que votre nouveau produit Dacor fournira un haut niveau de rendement et vous donnera entière satisfaction pour les nombreuses années à venir.

Sincères salutations,

Cheryl Crowe
Directrice, Satisfaction de la Clientèle

INSTRUCTIONS IMPORTANTES DE SÉCURITÉ

Votre sécurité et celle des autres est très importante.

Nous donnons de nombreux messages de sécurité importants dans ce manuel et sur votre appareil ménager. Assurez-vous de toujours lire tous les messages de sécurité et de vous y conformer.



Voici le symbole d'alerte de sécurité.

Ce symbole d'alerte de sécurité vous signale les dangers potentiels de décès et de blessures graves à vous et à d'autres.

Tous les messages de sécurité suivront le symbole d'alerte de sécurité et le mot "DANGER" ou "AVERTISSEMENT". Ces mots signifient:

⚠ DANGER

Risque possible de décès ou de blessure grave si vous ne suivez pas immédiatement les instructions.

⚠ AVERTISSEMENT

Risque possible de décès ou de blessure grave si vous ne suivez pas les instructions.

Tous les messages de sécurité vous diront quel est le danger potentiel et vous disent comment réduire le risque de blessure et ce qui peut se produire en cas de non-respect des instructions.

⚠ AVERTISSEMENT



Risque d'explosion

Garder les matériaux et les vapeurs inflammables, telle que l'essence, loin du réfrigérateur.

Le non-respect de cette instruction peut causer un décès, une explosion ou un incendie.

⚠ AVERTISSEMENT



Risque de choc électrique

Brancher sur une prise à 3 alvéoles reliée à la terre.

Ne pas enlever la broche de liaison à la terre.

Ne pas utiliser un adaptateur.

Ne pas utiliser un câble de rallonge.

Le non-respect de ces instructions peut causer un décès, un incendie ou un choc électrique.

⚠ AVERTISSEMENT

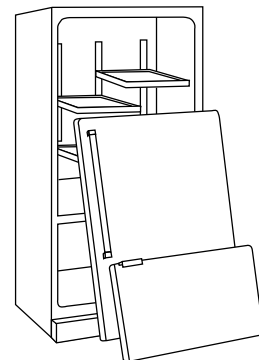
Risque de suffoquer

Enlever les portes de votre vieux réfrigérateur.

Le non-respect de cette instruction peut causer un décès ou des lésions cérébrales.

IMPORTANT: L'emprisonnement et l'étouffement des enfants ne sont pas un problème du passé. Les réfrigérateurs jetés ou abandonnés sont encore dangereux, même s'ils sont laissés abandonnés pendant "quelques jours seulement".

Si vous vous débarrassez de votre vieux réfrigérateur, veuillez suivre les instructions suivantes pour aider à éviter les accidents.



Avant de jeter votre vieux réfrigérateur ou congélateur:

- Enlever les portes.
- Laisser les tablettes en place de sorte que les enfants ne puissent pas y pénétrer facilement.

AVERTISSEMENT: Pour réduire les risques d'incendie, de choc électrique ou des blessures lors de l'utilisation du réfrigérateur, prendre quelques précautions fondamentales, y compris les suivantes:

- Brancher l'appareil sur une prise à 3 alvéoles reliée à la terre.
- Ne pas enlever la broche de liaison à la terre.
- Ne pas utiliser un adaptateur.
- Ne pas utiliser un câble de rallonge.
- Utiliser deux ou plus de personnes pour déplacer et installer le réfrigérateur.
- Débrancher la source de courant électrique avant l'entretien.
- Replacer pièces et panneaux avant de faire la remise en marche.
- Utiliser un produit de nettoyage ininflammable.
- Garder les matériaux et les vapeurs inflammables, telle que l'essence, loin du réfrigérateur.
- Débrancher le réfrigérateur avant l'installation de la machine à glaçons (seulement pour modèles prêts à recevoir une machine à glaçons).
- Enlever les portes de votre vieux réfrigérateur.

CONSERVEZ CES INSTRUCTIONS

RENSEIGNEMENTS IMPORTANTS

Installateur: Veuillez laisser ce guide avec l'appareil.

Client: Veuillez lire et conserver ce manuel d'utilisation et d'entretien pour référence ultérieure. Ce guide donne des informations sur l'utilisation et l'entretien corrects. Conservez ce guide et le reçu de vente et/ou un chèque annulé en lieu sûr pour référence ultérieure. Une preuve de la date d'achat original est nécessaire pour le service sous garantie.

Si vous avez des questions, appelez:

Équipe de service à la clientèle Dacor
1-800-793-0093 (É.-U. et Canada)

Du lundi au vendredi, de 6 h 00 à 17 h 00, heure du Pacifique
Site Web : www.Dacor.com

Ayez les numéros de modèle et de série au complet de votre réfrigérateur à portée de main. Ces numéros se trouvent sur une plaque signalétique, située sur la paroi droite de l'intérieur du réfrigérateur. Notez ces numéros sur cette page pour les avoir sous la main.

Numéro de modèle _____

Numéro de série _____

Date d'achat _____

Pour en savoir plus sur le service et la garantie, voir page 40.

Dans notre effort continu d'améliorer la qualité et la performance de nos appareils, il peut être nécessaire d'apporter des modifications à l'appareil sans révision de ce guide.

CENTRE DE COMMANDES ÉLECTRONIQUES

Le centre de commandes est situé sur la partie supérieure avant du compartiment de réfrigération.



RÉGLAGES DE TEMPÉRATURE INITIAUX

Les températures sont pré-réglées à 37 °F (3 °C) dans le compartiment de réfrigération et à 0 °F (-18 °C) dans le compartiment de congélation. L'affichage indiquera les températures moyennes des compartiments, en fonction de plusieurs points de mesure dans le compartiment.

Remarque:

Les températures affichées peuvent différer du point de réglage en raison des ouvertures de porte ou lors du dégivrage. Des thermomètres placés dans le réfrigérateur peuvent enregistrer une température légèrement au-dessus ou en dessous de la température affichée. Ceci est normal car la température affichée est une moyenne.

AJUSTEMENTS DE LA TEMPÉRATURE

- Laisser la température se stabiliser pendant 24 heures après le chargement du réfrigérateur avant de procéder à un ajustement.
- La première pression sur la flèche vers le haut ou vers le bas affiche le point de réglage de la température actuel.
- Les pressions suivantes sur la touche ▲ augmentent le point de réglage de la température ou la touche ▼ fait diminuer ce point.
- L'affichage indiquera le nouveau point de réglage pendant environ trois secondes, puis retournera à la température actuelle dans ce compartiment.
- Limiter les modifications de température à un degré à la fois. Laisser les nouvelles températures se stabiliser pendant 24 heures avant de procéder à un nouvel ajustement.

GLAÇONS RAPIDES

Une fois activée, la fonction Fast Ice (glaçons rapides) réduit la température du congélateur au réglage optimal pendant 24 heures afin de produire plus de glaçons.

Remarque:

Lorsque la fonction Fast Ice est utilisée, les touches ▼ et ▲ de la commande du congélateur ne fonctionnent pas.

RÉINITIALISATION DU FILTRE

Lorsqu'un filtre à eau a été installé dans le réfrigérateur, le témoin lumineux jaune Alert (alerte) s'allume lorsque 90 pour cent du volume d'eau pour lequel le filtre est paramétré sont passés par le filtre OU lorsque 11 mois se sont écoulés depuis l'installation du filtre.

Le témoin lumineux rouge Change (changer) s'allume lorsque le volume d'eau paramétré est passé par le filtre OU lorsque 12 mois se sont écoulés depuis l'installation du filtre. Un nouveau filtre doit être installé immédiatement lorsque le témoin lumineux Change est allumé.

Après avoir changé le filtre, appuyer sur la touche Reset Filter (réinitialiser le filtre) pendant trois secondes. Les témoins lumineux Alert et Change s'éteignent.

**FAST
ICE**

**FILTER
RESET**

CENTRE DE COMMANDES ÉLECTRONIQUES

MODE ABSENT

La fonction Mode Absent permet de dégivrer le congélateur moins fréquemment et d'économiser de l'énergie. Le témoin lumineux du mode Absent s'allume lorsque la fonction est activée. Pour la désactiver, appuyer sur la touche Mode Absent à nouveau OU ouvrir une porte. Le témoin lumineux s'éteindra.

Remarques:

- Les ouvertures de porte ne désactiveront pas le mode Absent pendant environ une heure après activation.
- En cas de départ en vacances pendant plus de quelques jours, consulter la section Préparation pour un départ en vacances/une absence à la page 36.

ALARME DE TEMPÉRATURE

Le système Temp Alarm (alarme de température) vous avertira si les températures du congélateur ou du réfrigérateur dépassent les températures de fonctionnement normales en raison d'une coupure de courant ou autre. Lorsque cette fonction est activée, le témoin lumineux Temp Alarm s'allume.

Si les températures du congélateur ou du réfrigérateur ont dépassé ces limites, l'affichage indiquera en alternance les températures actuelles des compartiments et les températures les plus élevées au moment de la coupure de courant. Une alarme sonore retentira à plusieurs reprises.

Appuyer une fois sur la touche Temp Alarm pour arrêter l'alarme sonore. Le témoin lumineux Temp Alarm continue de clignoter et les températures s'affichent en alternance jusqu'à ce qu'elles se stabilisent.

Pour désactiver la fonction Temp Alarm, appuyer sur la touche Temp Alarm pendant trois secondes. Le témoin lumineux s'éteindra.

ALARME DE PORTE

Appuyer sur la touche Door Alarm (alarme de porte) pour activer ou désactiver l'alarme de porte. La fonction Door Alarm est active lorsque le témoin au-dessus de la touche Door Alarm est allumé.

L'alerte de porte vous avertit lorsque l'une des portes a été laissée ouverte pendant cinq minutes de suite. Une alarme sonore retentira toutes les quelques secondes jusqu'à fermeture de la porte ou désactivation de la fonction.

REFROIDISSEMENT MAXIMAL

Lorsque la fonction est activée, Max Cool (refroidissement maximal) permet de diminuer les températures du congélateur et du réfrigérateur aux réglages minimum sur la commande. Ceci refroidit le réfrigérateur et le congélateur après des ouvertures de porte prolongées ou lors du chargement d'aliments chauds dans ceux-ci.

Remarque:

Lorsque la fonction Max Cool est utilisée, les touches ▼ et ▲ des commandes du réfrigérateur et du congélateur ne fonctionnent pas.

Pour l'activation, appuyer sur la touche Max Cool. La fonction Max Cool se désactivera automatiquement au bout de 12 heures OU appuyer sur la touche Max Cool pour désactiver la fonction.

**ABSENT
MODE**

**TEMP
ALARM**

**DOOR
ALARM**

**MAX
COLD**

PRÉFÉRENCES UTILISATEUR

Accéder au menu Préférences utilisateur pour:

- Permuter l'affichage de température °F/°C
- Activer ou désactiver les alarmes sonores
- Activer le mode Sabbath

Pour accéder au menu des préférences utilisateur, appuyer sur la touche Door Alarm pendant trois secondes. Au mode des préférences utilisateur, un titre court de la fonction apparaîtra sur l'afficheur de température du congélateur et le statut de la fonction apparaîtra sur l'afficheur du réfrigérateur.

1. Utiliser la commande du congélateur vers le haut ▲ ou vers le bas ▼ pour faire défiler les préférences.
2. Lorsque la préférence désirée s'affiche, utiliser la commande du réfrigérateur vers le haut ▲ ou vers le bas ▼ pour modifier le statut.
3. Une fois les modifications effectuées, appuyer sur la touche Door Alarm pendant trois secondes ou fermer la ou les porte(s) du réfrigérateur.

À PROPOS DE L'AFFICHAGE DES TEMPÉRATURE (F_C)

« F » indique que la température est affichée en degrés Fahrenheit. « C » indique que la température est affichée en degrés Celsius.

À PROPOS DU MODE SABBATH (SAB)

Lorsque le mode Sabbath est activé (ON), tous les témoins de commande et la veilleuse sont désactivés jusqu'à la désactivation de la fonction Sabbath (OFF). Cette fonction ne désactive pas les lampes internes. Appuyer sur n'importe quelle touche du centre de commandes pour restaurer les témoins lumineux des commandes et désactiver le mode Sabbath (OFF).

ALARME (AL)

Lorsque le mode Alarm (Alarme) est désactivé (OFF), toutes les alarmes sonores sont désactivées jusqu'à ce que la fonction soit activée (ON).

MISE EN MARCHÉ/ARRÊT DU RÉFRIGÉRATEUR

Appuyer à plusieurs reprises sur la commande à flèche du congélateur vers le haut jusqu'à l'apparition de « OFF » sur l'afficheur du congélateur. Le réfrigérateur s'arrêtera au bout de quelques secondes. Aucun compartiment ne refroidira.

Appuyer sur la commande à flèche du réfrigérateur ou du congélateur vers le haut ou vers le bas pour mettre le réfrigérateur en marche.

SURFACES CHAUDES DE L'APPAREIL

Parfois, la surface de l'avant de la caisse du réfrigérateur sera chaude. Ceci est normal et aide à éviter la condensation d'humidité sur la caisse. Ceci sera plus visible lors de la première mise en marche du réfrigérateur, par temps chaud et après des ouvertures de porte excessives ou prolongées.

COMPARTIMENT DE RÉFRIGÉRATION

TABLETTES

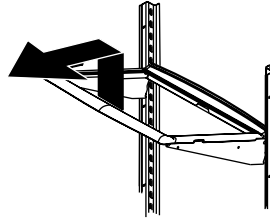
Importants renseignements à savoir au sujet des tablettes et des couvercles en verre:

Ne pas nettoyer les tablettes ou couvercles en verre avec de l'eau tiède quand ils sont froids. Les tablettes et les couvercles peuvent se briser s'ils sont exposés à des changements soudains de température ou à un impact tel que coup brusque. Pour votre protection, le verre trempé est conçu pour éclater en d'innombrables pièces minuscules. Ceci est normal. Les tablettes et les couvercles en verre sont lourds. Un soin spécial s'impose lors de leur déplacement pour éviter l'impact d'une chute.

Votre réfrigérateur comporte des tablettes en verre anti-renversement. Les tablettes antirenversement sont équipées d'un bord de retenue des renversements qui facilite le nettoyage, et peuvent glisser pour être enlevées. Pour la retirer en la faisant glisser, saisir l'avant de la tablette et tirer vers l'avant. Enfoncer la tablette pour la replacer à sa position d'origine.

Pour retirer une tablette:

- Incliner légèrement l'avant vers le haut et soulever l'arrière de la tablette, puis la tirer tout droit pour la faire sortir.



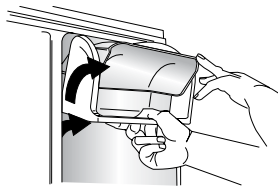
Pour bloquer la tablette dans une autre position:

- Incliner le bord avant de la tablette vers le haut.
- Insérer le crochet dans les ouvertures de cadre désirées et laisser la tablette se positionner.
- Veiller à ce que la tablette soit bien bloquée à l'arrière.

STOCKAGE DANS LES PORTES

Compartment à produits laitiers

Le compartiment à produits laitiers permet un stockage pratique dans les portes pour les produits à tartiner tels que le beurre et la margarine. Ce compartiment peut être déplacé à différents endroits selon les besoins de stockage. Pour utiliser le compartiment à produits laitiers, soulever le couvercle.



Pour le retirer:

- Soulever le couvercle, tirer vers le haut et incliner vers l'extérieur.

Pour l'installer:

- Faire glisser le compartiment à produits laitiers vers l'intérieur et vers le bas jusqu'à ce qu'il soit bien positionné à l'intérieur de la porte.

Casiers de porte

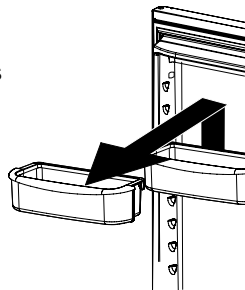
Les casiers de porte peuvent être déplacés selon les besoins de stockage.

Pour les retirer:

- Faire glisser le casier vers le haut et tirer tout droit.

Pour l'installer:

- Faire glisser le casier vers l'intérieur et vers le bas jusqu'à ce qu'il soit bien positionné à l'intérieur de la porte.



BACS À LÉGUMES

Les bacs à légumes offrent un environnement plus humide pour la conservation des légumes et fruits frais.

COMMANDES

Les commandes des bacs régulent la quantité d'humidité. Faire glisser la commande vers le réglage Fruit pour les produits à peau. Faire glisser la commande vers le réglage Vegetables (légumes) pour les produits à feuilles.

Vegetables

Fruit

Pour le retirer:

- Tirer le tiroir complètement. Incliner l'avant du tiroir vers le haut et tirer tout droit.

Pour l'installer:

- Insérer le tiroir dans les glissières et pousser pour le remettre en place.

Remarque:

Pour obtenir les meilleurs résultats, laisser les bacs bien fermés.

TIROIR À CHARCUTERIE

Le tiroir à charcuterie occupe toute la largeur et comporte une commande ajustable de la température. Ce tiroir peut être utilisé pour les grands plateaux de fête, les produits fins, les boissons ou divers articles. Il comporte une séparation pour organiser le tiroir en sections si désiré.

La commande de température ajuste la quantité d'air froid dans le tiroir. La commande se trouve à droite du tiroir, sous le couvercle.

Régler la commande à **cold** (froid) pour obtenir une température de réfrigération normale. Régler le tiroir au réglage **le plus froid MAX COLD** lorsqu'une température inférieure à celle du compartiment principal de réfrigération est nécessaire. Utiliser le réglage le plus froid pour la conservation des viandes.

Remarques:

- L'air froid dirigé vers le tiroir à charcuterie peut faire diminuer la température du réfrigérateur. La commande du réfrigérateur peut nécessiter un ajustement.
- Ne pas mettre de légumes à feuilles dans le tiroir à charcuterie. Des températures plus froides peuvent abîmer ces légumes.

Pour le retirer :

- Soulever le couvercle. Tirer le tiroir complètement. Incliner l'avant vers le haut et tirer tout droit.

Pour l'installer :

- Pousser les glissières métalliques coulissantes vers l'arrière du réfrigérateur. Poser le tiroir sur des glissières et refaire glisser le bac vers l'arrière jusqu'à ce qu'il soit bien en place.

Pour retirer la séparation :

- Tirer le tiroir complètement et soulever l'avant de la séparation pour la décrocher de la paroi arrière du garde-manger et la soulever pour la faire sortir.

Pour installer la séparation :

- Accrocher l'arrière de la séparation sur la paroi arrière du garde-manger et la baisser pour qu'elle soit bien en place.

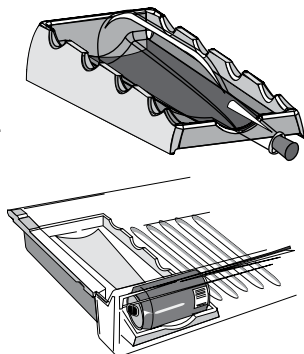
COMPARTIMENT DE RÉFRIGÉRATION

ACCESSOIRES

Porte-bouteilles/canettes

L'accessoire de porte-bouteilles/canettes peut être installé dans le tiroir à charcuterie ou sur une tablette.

Les bouteilles ou les canettes peuvent être rangées en travers, ou une bouteille peut être placée dans le creux central.



Plateau du tiroir à charcuterie

Le plateau du tiroir à charcuterie permet la présence d'un plateau amovible sur toute la largeur du tiroir.

COMPARTIMENT DE CONGÉLATION

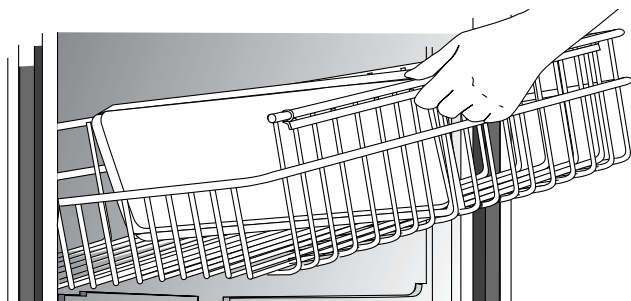
PANIER MÉTALLIQUE SUPÉRIEUR

Pour le Retirer:

- Arrêter la machine à glaçons en soulevant le bras de la machine (voir page 28).
- Tirer le panier supérieur complètement et le soulever pour le retirer.

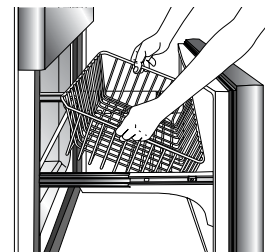
Pour l'installer:

- Faire glisser le panier supérieur dans le congélateur. S'assurer que l'arrière du panier s'accroche derrière le taquet de la glissière.



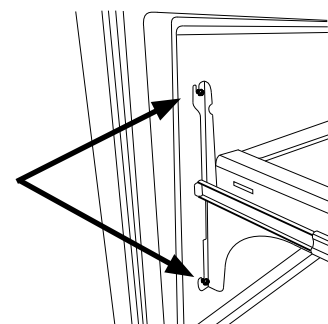
DÉPOSE DE L'AVANT DU TIROIR

1. Tirer le tiroir du congélateur pour l'ouvrir complètement.
2. Incliner le panier inférieur vers l'avant et soulever pour le retirer.

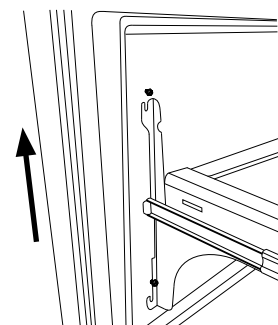


3. Desserrer les quatre (4) vis fixant les supports du panier à l'avant du tiroir tel qu'illustré ci-dessous.

Remarque: Desserrer les vis de trois à quatre tours seulement. Ne pas enlever les vis de l'avant du tiroir.



4. Soulever l'avant du tiroir vers le haut pour le dégager des vis.



ACCESSOIRES

BAC À GLAÇONS

Le bac à glaçons sert à conserver les glaçons.

SÉPARATION DU PANIER INFÉRIEUR

La séparation du panier inférieur permet d'organiser le panier en différentes sections.

Pour enlever et réinstaller la séparation:

- Pour la retirer, tirer tout droit sur la séparation.
- Pour l'installer, accrocher les coins supérieurs de la séparation sur les barreaux de panier horizontaux supérieurs.

RÉINSTALLATION DE L'AVANT DU TIROIR

1. Faire glisser les vis sur le dos de l'avant du tiroir dans les fentes des supports du tiroir des deux côtés. Vous devrez peut-être déplacer le bas du support légèrement pour aligner la fente avec la vis.
2. Serrer les quatre vis du panneau avant complètement. Ne pas trop serrer.
3. Remettre le panier du congélateur sur les glissières du tiroir.

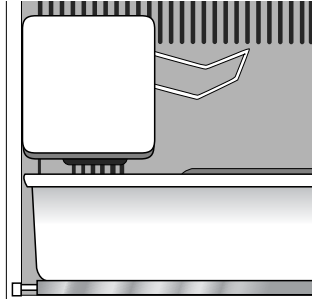
GLAÇONS ET EAU

MACHINE A GLAÇONS AUTOMATIQUE

Relier la machine à glaçons à l'alimentation en eau tel qu'indiqué dans les instructions d'installation. **Un débit d'eau correct et un réfrigérateur de niveau sont essentiels pour une performance optimale de la machine à glaçons.**

INSTRUCTIONS D'UTILISATION

- Vérifier que le bac à glaçons est bien en place et que le bras de la machine est baissé.
- Une fois que la section de congélation a atteint entre 0 ° et 2 °F (-18 ° à -17 ° C), la machine à glaçons se remplit d'eau et commence à fonctionner. Vous aurez une distribution de glaçons complète environ toutes les trois heures.
- Attendre environ 24 heures après l'installation pour obtenir la première distribution de glaçons.
- Jeter les glaçons produits lors des 12 premières heures de fonctionnement pour s'assurer que le système est nettoyé des impuretés.
- Interrompre la production de glaçons en soulevant le bras de la machine jusqu'au clic sonore.
- La machine à glaçons restera à l'arrêt (position Off) jusqu'à ce que le bras soit baissé.
- Les premier ou deuxième lots contiendront probablement des glaçons de petite taille et irréguliers en raison de la présence d'air dans la conduite d'alimentation.
- Lorsque les glaçons sont éjectés, il est normal que plusieurs glaçons soient collés les uns aux autres aux extrémités. Il est facile de les séparer. La machine à glaçons continuera de produire des glaçons jusqu'à ce que ceux qui sont produits fassent se soulever le bras de la machine, ce qui arrêtera la machine.
- Certains bruits peuvent accompagner les différents cycles de la machine à glaçons. Le moteur peut émettre un léger bourdonnement, les glaçons font du bruit en tombant dans le bac vide et le robinet d'eau peut parfois émettre un « clic » ou un bourdonnement.
- En cas de faible utilisation, les glaçons deviendront opaques, rétréciront, seront collés entre eux et auront un goût. Vider le bac à glaçons régulièrement et le laver dans de l'eau tiède. Veiller à bien sécher le bac avant de le remettre en place.
- Boissons et aliments ne doivent pas être déposés dans le bac à glaçons pour un refroidissement rapide. Ces articles peuvent bloquer le bras de la machine à glaçons, entraînant un mauvais fonctionnement de celle-ci.
- Arrêter (bras relevé) la machine à glaçons lorsque l'alimentation en eau doit être coupée pendant plusieurs heures.



Pour retirer le bac à glaçons:

- Le tirer vers l'avant pour le sortir de la machine à glaçons. Pour éviter que la machine à glaçons ne produise des glaçons alors que le bac est retiré, arrêter la machine en soulevant le bras.

Pour installer le bac à glaçons:

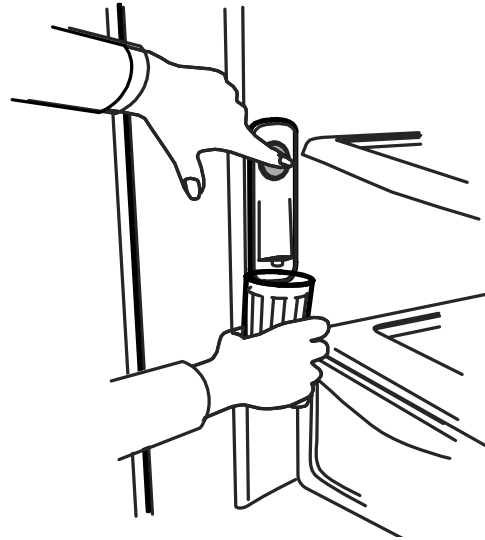
- Inverser la procédure ci-dessus. Mettre la machine à glaçons en marche en abaissant le bras.

DISTRIBUTEUR D'EAU

Le distributeur d'eau se trouve sur la paroi gauche de la section du réfrigérateur. Cette conception est destinée à la distribution d'eau froide uniquement.

DISTRIBUTION D'EAU:

- Maintenir un récipient sous le bec verseur et appuyer sur la touche du distributeur.



FILTRE À EAU

RETRAIT ET INSTALLATION

Ne pas utiliser avec de l'eau microbiologiquement dangereuse ou de qualité inconnue sans une désinfection adéquate avant ou après le système. Les systèmes certifiés pour la réduction de kyste peuvent être utilisés pour l'eau désinfectée qui peut contenir des kystes filtrables.

PREMIÈRE INSTALLATION

Le filtre à eau est situé dans le coin supérieur droit du compartiment de réfrigération.

1. Retirer le bouchon bleu et le mettre de côté pour utilisation ultérieure.
 2. Retirer l'étiquette d'étanchéité du bout du filtre et insérer celui-ci dans la tête de filtre.
 3. Faire tourner lentement dans le sens horaire jusqu'à l'arrêt du filtre. Fermer le couvercle du filtre.
 4. Réduire les éclaboussements d'eau en purgeant l'air du système. Faire couler de l'eau en continu pendant deux minutes par le distributeur jusqu'à ce que le débit soit stable. Lors de la première utilisation, attendre une à deux minutes de distribution d'eau pour permettre au réservoir de se remplir.
- Une purge supplémentaire peut être nécessaire dans certaines résidences où l'eau est de qualité médiocre.

Remplacement du Filtre à Eau

IMPORTANT: L'air immobilisé dans le système peut entraîner l'éjection d'eau ou de la cartouche. Toujours laisser couler de l'eau par le distributeur pendant deux minutes avant de retirer le filtre pour une raison quelconque. Prendre des précautions lors du retrait.

1. Tourner le filtre dans le sens antihoraire jusqu'à ce qu'il se dégage de la tête de filtre.
2. Vider l'eau du filtre dans l'évier et jeter le filtre à la poubelle avec les déchets ordinaires.
3. Essuyer l'eau restante sur le couvercle du filtre et poursuivre les instructions pour la première installation, étapes 2 à 4.

Le filtre doit être changé au moins tous les 12 mois.

Important: La qualité de l'eau et la quantité utilisée déterminent la durée de vie de la cartouche du filtre à eau. Si l'utilisation d'eau est importante, ou si l'eau est de qualité médiocre, un remplacement plus fréquent peut être nécessaire.

Pour obtenir des cartouches de filtre de rechange ou une intervention, communiquer avec votre vendeur local ou avec le service à la clientèle de Dacor au 1-800-793-0093 (É.-U. et Canada).

La fonction du distributeur peut être utilisée sans cartouche de filtre à eau. Si on sélectionne cette option, remettre le filtre avec le bouchon bleu en place.

State of California
Department of Health Services
Water Treatment Device
Certificate Number
03 - 1583
Date Issued: September 16, 2003
Date Revised: April 22, 2004

Trademark/Model Designation	Registration Number
UKF8001AX0750 469006-750 6700323-750	UKF8001AX0X 46 9006 6700323

Manufacturer: Puralife Inc.

The water treatment device(s) listed on this certificate have met the testing requirements pursuant to Section 126010 of the Health and Safety Code for the following health related contaminants:

Microbiological Contaminants and Treatable	Inorganic Inorganic Contaminants
Cysts Turbidity	Asbestos Lead Mercury

Organic Contaminants

Arsenic Lithium Hexachlorocyclopentadiene p-Dichlorobenzene Triphenyl

Rated Filter Capacity: 750 gal. Rated Filter Flow: 0.78 gpm

Conditions of Certification:
Do not use where water is microbiologically unsafe or with water of unknown quality, except that systems certified for cyst reduction may be used on disinfected water that may contain filterable cysts.

DONNES SUR LA PERFORMANCE

Norme n° 42: effets esthétiques								
Paramètre	USEPA MCL	Concentration dans l'eau à traiter	Affluent moyen	Effluent		% de Réduction		Réduction min. Requise
				Moyen	Maximum	Moyen	Minimum	
Chlore	-	2.0 mg/L ± 10%	1.88 mg/L	<0.05136364 mg/L	0.06 mg/L	>97.26	96.84	50%
Goût et odeur	-	-	-	-	-	-	-	-
Particules**	-	au moins 10 000 particules/ml	5,700,000 #/ml	30,583 #/ml	69,000 #/ml	99.52	98.94	85%

Norme n° 53: Effets Sur La Santé								
Paramètre	USEPA MCL	Concentration dans l'eau à traiter	Affluent moyen	Effluent		% de Reduction		Réduction min. Requise
				Moyen	Maximum	Moyen	Minimum	
Turbidité	1 NTU**	11 ± 1 NTU***	10.7 NTU	0.31 NTU	.049 NTU	97.09	95.20	0.5 NTU
Kystes	99.5 % de réduction	Minimum 50,000/L	166,500 #/L	<1 #/L	<1 #/L	>99.99	>99.99	>99.99%
Amiante	99.5 % de réduction	107 108 fibres/L; fibres > micromètres en longueur	155 MF/L	<1 MF/L	<1 MF/L	>99.99	>99.99	99%
Plomb à un pH de 6.5	0.015 mg/L	0.15 mg/L + 10%	0.153 mg/L	<.001 mg/L	<.001 mg/L	>99.35	>99.29	0.10 mg/L
Plomb à un pH de 8.5	0.015 mg/L	0.15 mg/L + 10%	0.150 mg/L	<.001 mg/L	<.001 mg/L	>99.33	>99.29	0.10 mg/L
Mercuré à un pH de 6.5	0.002 mg/L	.006 mg/L ± 10%	0.006 mg/L	0.0003 mg/L	0.0005 mg/L	95.70	90.91	0.002 mg/L
Mercuré à un pH de 8.5	0.002 mg/L	.006 mg/L ± 10%	0.006 mg/L	0.0008 mg/L	0.0015 mg/L	86.22	75.93	0.002 mg/L
Atrazine	0.003 mg/L	0.009 mg/L + 10%	0.009 mg/L	<0.002 mg/L	0.002 mg/L	76.99	75.31	0.003 mg/L
Benzène	0.005 mg/L	0.015 mg/L ± 10%	0.014 mg/L	0.0006 mg/L	0.0011 mg/L	95.71	92.14	0.005 mg/L
Carbofurane	0.04 mg/L	0.08 mg/L ± 10%	0.081 mg/L	<0.001 mg/L	<0.001 mg/L	98.74	98.46	0.04 mg/L
p-dichlorobenzène	0.075 mg/L	.225 mg/L ± 10%	0.208 mg/L	<0.0005 mg/L	<0.0005 mg/L	99.76	99.74	0.075 mg/L
Lindane	0.0002 mg/L	0.002 mg/L ± 10%	0.002 mg/L	0.000 mg/L	<0.0001 mg/L	98.72	96.50	0.0002 mg/L
Toxaphène	0.003 mg/L	0.015 ± 10%	0.015 mg/L	<0.001 mg/L	<0.001 mg/L	92.97	91.67	0.003 mg/L

* Test avec un débit nominal de .78 gpm; pression de 60 lb/po²; pH de 7.5 + 0.5; temp. de 68 ° + 5 °F (20 ° + 3 °C)

** Mesure en particules/ml. Les particules utilisées étaient de 0.5 à 1 micron

*** NTU – unités de turbidité néphélométriques

SPÉCIFICATIONS

Débit nominal: 0,78 gpm (2,9 L/min)

Temp. op. min.: 33 °F (.6 °C)

Temp. op. max.: 100 °F (38 °C)

Press. op. min.: 35 lb/po² (241 kPA)

Press. op. max.: 120 lb/po² (827 kPA)



Produit testé et certifié par NSF International en vertu de la norme NSF/ANSI 42 (réduction du goût et de l'odeur du chlore, et particules de classe I et en vertu de la norme NSF/ANSI 53 (réduction de kystes, turbidité, amiante, mercure, plomb, benzène, p-dichlorobenzène et carbofurane).

CONDITIONS D'UTILISATION GÉNÉRALE

Lire cette fiche de données de performance et comparer les capacités de cet appareil à vos besoins réels de traitement d'eau.

NE PAS utiliser ce produit avec de l'eau microbiologiquement dangereuse ou de qualité inconnue sans une désinfection adéquate avant ou après le système. Un système certifié pour la réduction de kystes peut être utilisé pour l'eau désinfectée qui peut contenir des kystes filtrables

UTILISER UNIQUEMENT AVEC UNE ALIMENTATION EN EAU FROIDE. VÉRIFIER LA CONFORMITÉ AUX LOIS ET RÈGLEMENTS D'ÉTAT ET LOCAUX.

Le changement de la cartouche du filtre en temps voulu est essentiel pour être satisfait de la performance de ce système de filtration. Veuillez consulter la section concernée de votre guide d'utilisation et d'entretien pour en savoir plus sur l'utilisation générale, les exigences d'entretien et le dépannage.

Ce système a été testé selon les normes 42 et 53 ANSI/NSF pour la réduction des substances énumérées ci-dessus. La concentration des substances indiquées dans l'eau entrant dans le système a été réduite à une concentration moindre ou égale à la limite permise pour l'eau qui quitte le système, tel que spécifié par les normes 42 et 53 ANSI/NSF .

CONSEILS POUR LA CONSERVATION DES ALIMENTS

CONSERVATION DES ALIMENTS FRIAS

- Le compartiment de réfrigération doit être maintenu à une température entre 34° et 40°F (entre 1° et 4°C), la température optimale étant 37°F (3°C). Pour vérifier la température, placer un thermomètre pour appareils ménagers dans un verre d'eau et placer celui-ci au centre du réfrigérateur. Effectuer une vérification après 24 heures. Si la température est supérieure à 40°F (4°C), ajuster les commandes tel qu'indiqué à la page 24.
- Éviter de surcharger les tablettes du réfrigérateur. Ceci a pour effet de réduire la circulation d'air autour des aliments et de causer une mauvaise répartition du froid.

Fruits et Légumes

- Le rangement dans les bacs à légumes a pour but d'emprisonner l'humidité pour préserver la qualité des fruits et légumes pendant de plus longues périodes (voir page 26).
- Trier les fruits et les légumes avant de les ranger et utiliser en premier ceux qui sont abîmés ou mous. Jeter ceux qui ont commencé à pourrir.
- Envelopper toujours les aliments odorants tels que les oignons et le chou afin de ne pas contaminer les autres aliments.
- Même si les légumes nécessitent une certaine quantité d'humidité pour retenir leur fraîcheur, un excès d'humidité peut en réduire la durée de conservation, surtout dans le cas des légumes à feuilles. Bien égoutter les légumes avant de les ranger.
- Laver les produits frais juste avant de les utiliser.

Viande et Fromage

- Les viandes et volailles crues doivent être bien enveloppées pour éviter tout risque d'écoulement et de contamination d'autres aliments ou de surfaces.
- De la moisissure pourrait occasionnellement se développer sur la surface de certains fromages durs (suisse, cheddar, parmesan). Il suffit de couper au moins un pouce tout autour et au-dessous de la partie moisie. Éloigner votre couteau ou tout autre instrument de la moisissure même. Ne pas essayer de sauver des tranches individuelles de fromage, du fromage à pâte molle, du fromage cottage, de la crème, de la crème sure ou du yogourt une fois que la moisissure a fait son apparition.

Produits Laitiers

- La plupart des emballages de produits laitiers tels que le lait, le yogourt, la crème sure et le fromage cottage indiquent des dates de fraîcheur relativement à la durée appropriée de conservation. Conserver ces aliments dans leurs emballages d'origine et les réfrigérer immédiatement après leur achat et après chaque utilisation.

CONSERVATION DES ALIMENTS

CONGELÉS

- Le compartiment de congélation d'un réfrigérateur doit être maintenu à une température approximative de 0°F (-18°C). Pour vérifier la température, placer un thermomètre pour appareils ménagers entre les paquets congelés et effectuer une vérification après 24 heures. Si la température est supérieure à 0°F (-18°C), ajuster les commandes tel qu'indiqué aux pages.
- Un congélateur procure un rendement plus efficace lorsqu'il est plein aux deux tiers au minimum.

Emballage des Aliments Pour La Congélation

- Pour minimiser la déshydratation et la détérioration de la qualité, utiliser du papier d'aluminium, du matériel d'emballage pour la congélation, des sacs de congélation ou des récipients hermétiques. Comprimer autant d'air que possible hors des paquets et s'assurer que ceux-ci sont bien scellés. L'air immobilisé peut provoquer l'assèchement et le changement de couleur des aliments ainsi qu'une altération de saveur (brûlures de congélation).
- Envelopper les viandes et volailles fraîches avec de l'emballage approprié avant de les congeler.
- Ne pas remettre au congélateur de la viande qui est complètement décongelée..

Chargement du Congélateur

- Éviter de placer trop d'aliments chauds à la fois dans le congélateur. Ceci a pour effet de surcharger le congélateur, de ralentir le taux de congélation et peut élever la température des aliments congelés.
- Laisser de l'espace entre les paquets pour que l'air froid puisse circuler librement et permettre aux aliments de congeler aussi rapidement que possible.
- Éviter de ranger dans les compartiments de porte les aliments difficiles à congeler tels que la crème glacée et le jus d'orange concentré. Il est préférable de ranger ces aliments à l'intérieur du congélateur où la température ne risque pas de subir des variations lors de l'ouverture de la porte.

Pour connaître les durées approximatives de conservation, se reporter au Tableau de Conservation des Aliments aux pages 32 et 33.

CONSEILS POUR LA CONSERVATION DES ALIMENTS

TABLEAU DE CONSERVATION DES ALIMENTS

Les durées de conservation sont approximatives et peuvent varier selon le type d'emballage, la température de conservation et la qualité de l'aliment lors de l'achat.

ALIMENTS	RÉFRIGÉRATEUR	CONGÉLATEUR	CONSEILS DE CONSERVATION
PRODUITS LAITIERS			
Beurre	1 mois	6 à 9 mois	Bien envelopper ou couvrir.
Lait et crème	1 semaine	Non recommandé	Vérifier la date sur l'emballage. Bien fermer. Ne pas remettre de portion inutilisée dans l'emballage original. Ne pas congeler la crème à moins qu'elle soit fouettée.
Fromage à la crème, tartinade et préparation à base de fromage	1 à 2 semaines	Non recommandé	Bien fermer.
Fromage cottage	3 à 5 jours	Non recommandé	Conserver dans l'emballage original. Vérifier la date sur l'emballage.
Crème sure	10 jours	Non recommandé	Conserver dans l'emballage original. Vérifier la date sur l'emballage.
Fromage dur (suisse, cheddar, parmesan)	1 à 2 mois	4 à 6 mois Pourrait s'émietter.	Bien fermer. Ôter toute moisissure.
ŒUFS			
Œufs dans leur coquille	3 semaines	Non recommandé	Réfrigérer avec bout en pointe vers le bas.
Restes de jaunes ou de blancs	2 à 4 jours	9 à 12 mois	Pour chaque tasse de jaunes à congeler, ajouter 1 c. à thé de sucre pour les mets sucrés, ou 1 c. à thé de sel pour les mets non sucrés.
FRUITS			
Pommes	1 mois	8 mois (cuites)	On peut aussi conserver les pommes non mûres ou dures entre 60° et 70°F (16° et 21°C).
Bananes	2 à 4 jours	6 mois (entières et pelées)	Laisser mûrir à température ambiante avant de réfrigérer. Remarque: les bananes noircissent au réfrigérateur.
Poires, prunes, avocats	2 à 4 jours	Non recommandé	Laisser mûrir à température ambiante avant de réfrigérer. Remarque : les avocats noircissent au réfrigérateur.
Baies, cerises, abricots	2 à 3 jours	6 mois	Laisser mûrir à température ambiante avant de réfrigérer.
Raisins	3 à 5 jours	1 mois (non coupés)	Laisser mûrir à température ambiante avant de réfrigérer.
Agrumes	1 à 2 semaines	Non recommandé	On peut aussi les conserver entre 60° et 70°F (16° et 21°C). Ranger au réfrigérateur sans emballage.
Ananas, coupé	2 à 3 jours	6 à 12 mois	Ne mûrit pas après l'achat. Utiliser rapidement.
LÉGUMES			
Asperges	1 à 2 jours	8 à 10 mois	Ne pas laver avant de réfrigérer. Conserver dans le bac à légumes.
Choux de Bruxelles, brocolis, choux-fleurs, petits pois, haricots de Lima, oignons, poivrons	3 à 5 jours	8 à 10 mois	Envelopper les aliments odorants. Laisser les pois dans leurs cosses.
Chou, céleri	1 à 2 semaines	Non recommandé	Envelopper les aliments odorants et les réfrigérer dans le bac à légumes.
Carottes, panais, betteraves et navets	7 à 10 jours	8 à 10 mois	Supprimer les fanes. Envelopper les aliments odorants et les réfrigérer dans le bac à légumes.
Laitue	7 à 10 jours	Non recommandé	

CONSEILS POUR LA CONSERVATION DES ALIMENTS

ALIMENTS	RÉFRIGÉRATEUR	CONGÉLATEUR	CONSEILS DE CONSERVATION
VIANDES			
Bacon	7 jours	1 mois	
Bœuf et agneau, haché	1 à 2 jours	3 à 4 mois	Les viandes fraîches peuvent être réfrigérées dans l'emballage original.
Bœuf et agneau, rôti et steak	3 à 5 jours	6 à 9 mois	Placer dans le tiroir à charcuterie au réglage le plus froid. En cas de congélation pendant plus de deux semaines, envelopper avec de l'emballage de congélation.
Jambon entier tout cuit	7 jours	1 à 2 mois	
Demi-jambon	5 jours	1 à 2 mois	
Tranches de jambon	3 jours	1 à 2 mois	
Viande à sandwich non ouverte	3 à 5 jours	1 à 2 mois	Dès lors que l'emballage n'a pas été ouvert, la viande à sandwich peut être conservée jusqu'à deux semaines dans le tiroir à charcuterie au réglage le plus froid.
Porc, rôtis	3 à 5 jours	4 à 6 mois	
Porc, côtelettes	3 à 5 jours	4 mois	
Saucisses, hachées	1 à 2 jours	1 à 2 mois	
Saucisses, côtelettes	7 jours	1 à 2 mois	
Veau	3 à 5 jours	4 à 6 mois	
Saucisses de Francfort	7 jours	1 mois	Bien envelopper les viandes préparées et les conserver dans le tiroir à charcuterie au réglage le plus froid.
VOLAILLE ET POISSON			
Poulet et dinde, entiers	1 à 2 jours	12 mois	Réfrigérer dans l'emballage original. Placer dans le tiroir à charcuterie au réglage le plus froid. En cas de congélation pendant plus de deux semaines, envelopper avec de l'emballage de congélation.
Morceaux de poulet et de dinde	1 à 2 jours	9 mois	
Poisson	1 à 2 jours	2 à 6 mois	

Sources : United States Department of Agriculture; Food Marketing Institute; Cooperative Extension Service, Iowa State University

ENTRETIEN ET NETTOYAGE

⚠ AVERTISSEMENT

<p>Risque d'explosion</p> <p>Utiliser un produit de nettoyage ininflammable.</p> <p>Le non-respect de cette instruction peut causer un décès, une explosion ou un incendie.</p>

Tableau de Nettoyage du Réfrigérateur

PIÈCE	NE PAS UTILISER	UTILISER
Intérieur de la caisse	Produits de nettoyage abrasifs et rugueux Ammoniaque Produit de blanchiment au chlore Détergents ou dissolvants concentrés Tampons à récurer en métal ou de texture en plastique	Utiliser 4 c. à soupe de bicarbonate de soude, dissoutes dans 1 pinte (1 L) d'eau chaude savonneuse. Rincer les surfaces à l'eau chaude propre et sécher immédiatement pour éviter la formation de taches d'eau.
Extérieur et portes en acier inoxydable IMPORTANT: <i>La garantie de ce produit ne couvre pas les dommages causés au fini en acier inoxydable par le mauvais usage de produits de nettoyage ou de produits non recommandés.</i>	Produits de nettoyage abrasifs et rugueux Ammoniaque Produit de blanchiment au chlore Détergents et dissolvants concentrés Tampons à récurer en métal ou de texture en plastique Produits à base de vinaigre Produits de nettoyage au citron	Utiliser de l'eau chaude savonneuse et un linge doux et propre ou une éponge. Rincer les surfaces à l'eau chaude propre et sécher immédiatement pour éviter la formation de taches d'eau.
Joint de porte	Tampons à récurer en métal ou de texture en plastique	Utiliser de l'eau chaude savonneuse et un linge doux et propre ou une éponge.
Serpentin du Condenseur <i>Pour y accéder, retirer la grille de la base.</i>	Autre chose qu'un aspirateur.	Utiliser le tuyau de l'aspirateur.
Grille de Sortie du Ventilateur du Condenseur <i>Consulter les instructions à l'arrière du réfrigérateur.</i>		Utiliser le tuyau d'aspirateur muni d'une brosse.
Accessoires <i>Tablettes, bacs, tiroirs, etc.</i>	Lave-vaisselle	Suivre les instructions de la section appropriée pour installer et retirer les accessoires. Attendre que les accessoires soient à température ambiante avant de les nettoyer. Utiliser du détergent doux dilué et un linge propre doux ou une éponge pour le nettoyage. Utiliser une brosse en plastique pour nettoyer les parties creuses et fissures. Rincer les surfaces à l'eau chaude propre. Sécher immédiatement les pièces en plastique transparent et en verre pour éviter la formation de taches.

ENTRETIEN ET NETTOYAGE

COMMENT SUPPRIMER LES ODEURS DU RÉFRIGÉRATEUR

Importants renseignements à savoir au sujet des tablettes et des couvercles en verre:

Ne pas nettoyer les tablettes ou couvercles en verre avec de l'eau tiède quand ils sont froids. Les tablettes et les couvercles peuvent se briser s'ils sont exposés à des changements soudains de température ou à un impact tel que coup brusque. Pour votre protection, le verre trempé est conçu pour éclater en d'innombrables pièces minuscules. Ceci est normal. Les tablettes et les couvercles en verre sont lourds. Un soin spécial s'impose lors de leur déplacement pour éviter l'impact d'une chute.

1. Retirer tous les aliments et éteindre le réfrigérateur.
2. Débrancher le cordon d'alimentation du réfrigérateur.
3. Nettoyer les parois, le fond, le plafond de la caisse, les tiroirs, les tablettes et les joints selon les instructions indiquées à la page 34.
4. Utiliser une brosse en plastique et du détergent doux dilué et brosser la solution dans les fentes et fissures. Laisser reposer 5 minutes. Rincer les surfaces avec de l'eau chaude. Sécher les surfaces avec un linge propre doux.
5. Laver et sécher tous les contenants, flacons et bouteilles. Jeter tous les articles détériorés et ceux dont la date d'utilisation a expiré.
6. Envelopper ou ranger les aliments odorants dans des contenants hermétiques pour éviter une réapparition des odeurs.
7. Rebrancher le cordon d'alimentation du réfrigérateur et y remettre les aliments.
8. Laisser refroidir le réfrigérateur.
9. Après 24 heures, vérifier si l'odeur a été éliminée.

Si l'odeur est toujours présente:

1. Retirer les tiroirs et les placer sur l'étagère supérieure du réfrigérateur.
2. Insérer des feuilles de papier journal en noir et blanc froissées dans les sections du réfrigérateur et du congélateur, y compris les portes.
3. Placer au hasard des briquettes de charbon sur le journal froissé dans les compartiments du réfrigérateur et du congélateur.
4. Fermer les portes et laisser en attente pendant 24 à 48 heures.

CONSEILS D'ÉCONOMIE D'ÉNERGIE

- Éviter de surcharger les tablettes du réfrigérateur. Un chargement excessif réduit la circulation d'air autour des aliments et prolonge la durée de fonctionnement du réfrigérateur.
- Éviter de ranger trop d'aliments chauds à la fois dans le réfrigérateur. Le chargement excessif des compartiments ralentit le taux de refroidissement.
- Ne pas utiliser de papier aluminium, papier ciré ou serviettes en papier pour garnir les tablettes. La circulation d'air en est diminuée provoquant ainsi un fonctionnement moins efficace du réfrigérateur.
- Un congélateur chargé aux deux tiers fonctionne plus efficacement.
- Placer le réfrigérateur dans la partie la plus froide de la pièce. Éviter une exposition directe au soleil, les conduits de chauffage, les diffuseurs de chaleur ou autres appareils de chauffage. Si ce n'est pas possible, utiliser une section d'armoire ou une couche supplémentaire isotherme pour isoler les parois extérieures du réfrigérateur.
- Nettoyer les joints de porte tous les trois mois selon les instructions de nettoyage. Ceci a pour but d'assurer la fermeture hermétique des portes et le fonctionnement efficace du réfrigérateur.
- Prendre le temps d'organiser les articles dans le réfrigérateur pour réduire la durée d'ouverture des portes.
- Assurer une bonne fermeture des portes en réglant l'aplomb du réfrigérateur tel qu'indiqué dans les instructions d'installation.
- Nettoyer les serpentins de condenseur tous les trois mois, tel qu'indiqué dans les instructions de nettoyage. Ceci aura pour but d'augmenter l'efficacité énergétique et de procurer une réfrigération optimale.

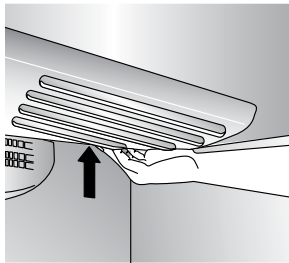
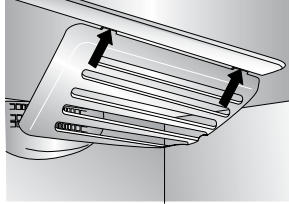
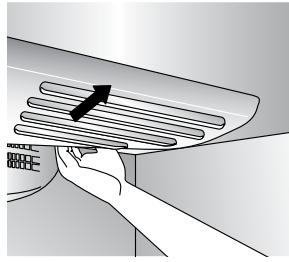
SECTION DU RÉFRIGÉRATEUR REPLACEMENT DES AMPOULES

1. Glisser le couvercle transparent vers l'arrière du compartiment pour le dégager de l'assemblage de la lampe.
2. Retirer les ampoules.
3. Remplacer avec une ampoule pour appareils ménagers ne dépassant pas 40 watts.
4. Replacer le couvercle en insérant les attaches du couvercle dans les trous de la paroi situés de chaque côté de la lampe. Faire glisser le couvercle vers l'avant du réfrigérateur et l'enclencher en place. Ne pas forcer le couvercle au-delà du point d'enclenchement, ce qui pourrait l'endommager.

ENTRETIEN ET NETTOYAGE

SECTION DU CONGÉLATEUR

1. Atteindre la zone derrière le couvercle de la lampe.
2. Appuyer fermement sur les encoches à l'arrière du couvercle et tirer vers le bas. Le couvercle s'ouvrira par l'arrière.
3. Enlever le couvercle.
4. Retirer l'ampoule.
5. Remplacer l'ampoule par une ampoule de **40 watts maximum**.
6. Insérer les languettes avant du couvercle de la lampe dans les fentes à l'intérieur du congélateur et emboîter la section arrière sur la lampe jusqu'à enclenchement de la languette arrière.



**Pour de longues vacances ou absences (plus de trois mois)
OU si la température de la pièce va descendre en dessous de
55 °F (13 °C):**

1. Retirer les aliments.
2. Si votre réfrigérateur est équipé d'une machine à glaçons automatique :
 - Couper l'alimentation en eau de la machine à glaçons au moins une journée à l'avance.
 - Lorsque la dernière quantité de glaçons est distribuée, soulever le bras de commande métallique en position OFF (arrêt).
 - Vider le bac à glaçons.
3. Si votre réfrigérateur est équipé d'un système de distributeur avec un filtre à eau, retirer la cartouche du filtre à eau et installer la dérivation de filtre. Jeter la cartouche usagée.
4. Tourner la commande du congélateur à OFF (arrêt).
5. Débrancher le réfrigérateur.
6. Bien nettoyer l'intérieur des deux compartiments à l'aide d'une solution au bicarbonate de soude et d'un chiffon doux et propre (quatre cuillérées à soupe de bicarbonate de soude dans une pinte d'eau tiède).
7. Bien sécher.
8. Laisser les portes ouvertes pour éviter la formation de moisissure et de mildiou.

À VOTRE RETOUR

Après une brève période de vacances ou d'absence:

Pour les modèles équipés de machines à glaçons automatiques ou de distributeurs :

- Reconnecter l'alimentation en eau et ouvrir le robinet d'alimentation.
- Surveiller la prise d'eau pendant 24 heures et réparer les fuites si nécessaire.
- Faire couler 10 à 15 verres d'eau du distributeur pour purger le système.
- Remettre la machine à glaçons en marche en abaissant le bras.
- Jeter au moins les trois premiers lots de glaçons produits.

Après une longue période de vacances ou d'absence:

- Reconnecter l'alimentation en eau et ouvrir le robinet d'alimentation.
- Rebrancher le réfrigérateur et régler à nouveau les commandes (voir page 2).
- Surveiller la prise d'eau pendant 24 heures et réparer les fuites si nécessaire.

Pour les modèles avec distributeur, faire couler de l'eau par le distributeur pendant au moins trois minutes avec la dérivation de filtre en place, puis installer le filtre à eau (voir page 7).

- Après avoir installé le filtre à eau, faire couler de l'eau par le distributeur en continu pendant au moins deux minutes ou jusqu'à ce que le débit de l'eau soit régulier. Au début, vous noterez peut-être un délai de une à deux minutes lors de la distribution d'eau alors que le réservoir interne se remplit.
- Remettre la machine à glaçons en marche en abaissant le bras.
- Jeter les glaçons produits au cours des 12 premières heures (au moins les trois premiers lots).

PRÉPARATION POUR UN DÉPART EN VACANCES/UNE ABSENCE

Lors du Déplacement de Votre Réfrigérateur: Votre réfrigérateur est lourd. Lors du déplacement de votre réfrigérateur pour le nettoyage ou le service, veiller à protéger le sol. Toujours tirer le réfrigérateur tout droit lors du déplacement. Ne pas incliner le réfrigérateur d'un côté ou de l'autre ni le «faire marcher» en essayant de le déplacer car le sol pourrait être endommagé.

Pour des vacances ou des absences brèves (trois mois ou moins):

1. Retirer tous les produits périssables.
2. Si personne ne va vérifier le réfrigérateur lors de votre absence, retirer également tous les produits surgelés.
3. Si votre réfrigérateur est équipé d'une machine à glaçons automatique:
 - Couper l'alimentation en eau de la machine à glaçons au moins une journée à l'avance.
 - Lorsque la dernière quantité de glaçons est distribuée, soulever le bras de commande métallique en position OFF (arrêt).
 - Vider le bac à glaçons.
4. Si la température de la pièce va descendre en dessous de 55 °F (13 °C), suivre les instructions pour les absences plus longues.

ENTRETIEN ET NETTOYAGE

PRÉPARATION POUR UN DÉMÉNAGEMENT

⚠ AVERTISSEMENT

Risque du poids excessif

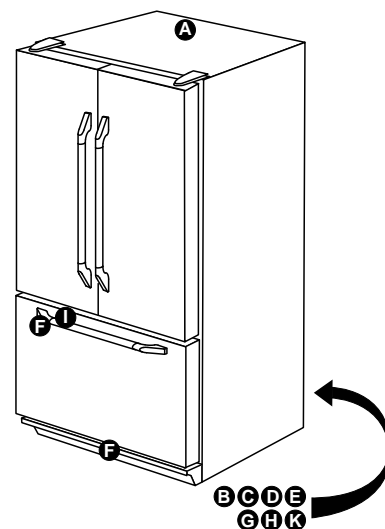
Utiliser deux ou plus de personnes pour déplacer et installer le réfrigérateur.

Le non-respect de cette instruction peut causer une blessure au dos ou d'autre blessure.

- Suivre les instructions ci-dessus pour les longues périodes de vacances/absences jusqu'à l'étape 7.
- Bloquer tous les éléments mobiles tels que les tablettes et les tiroirs en les fixant avec du ruban adhésif afin d'éviter de les endommager.
- Fermer les portes à l'aide de ruban adhésif.
- Utiliser un chariot pour appareil ménager lors du déplacement du réfrigérateur. Toujours manipuler le réfrigérateur par le côté ou par l'arrière – jamais par l'avant.
- Veiller à ce que le réfrigérateur reste à la verticale lors du déplacement.

BRUITS DE FONCTIONNEMENT

Les améliorations de conception des réfrigérateurs peuvent entraîner l'émission de bruits de votre nouvel appareil qui sont différents ou nouveaux par rapport à un ancien modèle. Ces améliorations ont été apportées pour créer un réfrigérateur qui conserve mieux les aliments, est plus efficace en termes d'énergie et est plus silencieux dans l'ensemble. Étant donné que les nouveaux réfrigérateurs fonctionnent plus silencieusement, des bruits peuvent être détectés, bruits émis par les anciens réfrigérateurs, mais qui étaient masqués par des niveaux sonores plus élevés. Bon nombre de ces bruits sont normaux. Veuillez noter que les surfaces adjacentes à un réfrigérateur, comme les parois rigides, les sols et les placards, peuvent augmenter le niveau sonore de ces bruits. Voici quelques-uns des bruits normaux que l'on peut noter avec un nouveau réfrigérateur.



Bruit	Cause possible	Solution
Clics	Un appareil motorisé (A) fait le même bruit qu'une horloge électrique et émet un bruit d'enclenchement.	Fonctionnement normal
Refoulement ou tourbillon d'air	Le ventilateur du congélateur (B) et le ventilateur du condenseur (C) font ce bruit lorsqu'ils fonctionnent.	Fonctionnement normal
Bruits de gargouillement ou de bouillonnement	Le réfrigérant de l'évaporateur (D) et de l'échangeur thermique (E) émet ce bruit lorsqu'il coule.	Fonctionnement normal
Bruit sourd	Les glaçons de la machine à glaçons tombent dans le bac (F).	Fonctionnement normal
Bruit de vibration	Le compresseur (G) émet un bruit de modulation lorsqu'il fonctionne.	Fonctionnement normal
	Le réfrigérateur n'est pas d'aplomb.	Voir les Instructions d'installation pour en savoir plus sur le réglage de l'aplomb de votre réfrigérateur.
Bourdonnement	Le robinet d'eau de la machine à glaçons (H) bourdonne lorsque la machine se remplit d'eau.	Fonctionnement normal
Ronronnement	La machine à glaçons (I) est à la position « ON » (marche) sans prise d'eau.	Faire cesser le bruit en soulevant le bras de la machine à glaçons à la position « OFF » (arrêt) (voir page 28).
	Le compresseur (G) peut émettre un ronronnement aigu lorsqu'il fonctionne.	Fonctionnement normal
Sifflement ou claquement	Le mécanisme de dégivrage (K) siffle ou claque lorsqu'il fonctionne.	Fonctionnement normal

ACCESSOIRES


Description	Numéro de pièce
Trousse d'habillage des panneaux en acier inoxydable verticaux pour le modèle PF36	AFM36VSP
Trousse de poignées de style d'habillage en chrome noir Epicure pour les modèles Dacor à 2 portes EF36 et PF36	AFE36H2BC
Trousse de poignées de style d'habillage en chrome noir Epicure pour les modèles Dacor à 3 portes EF36 et PF36	AFE36H3BC
Trousse de poignées de style d'habillage en laiton Epicure pour les modèles Dacor à 2 portes EF36 et PF36	AFE36H2BR
Trousse de poignées de style d'habillage en laiton Epicure pour les modèles Dacor à 3 portes EF36 et PF36	AFE36H3BR
Trousse de poignées de style d'habillage en chrome Epicure pour les modèles Dacor à 2 portes EF36 et PF36	AFE36H2CH
Trousse de poignées de style d'habillage en chrome Epicure pour les modèles Dacor à 3 portes EF36 et PF36	AFE36H3CH
Trousse de poignées de style d'habillage en cuivre Epicure pour les modèles Dacor à 2 portes EF36 et PF36	AFE36H2CP
Trousse de poignées de style d'habillage en cuivre Epicure pour les modèles Dacor à 3 portes EF36 et PF36	AFE36H3CP
Trousse de poignées de style d'habillage Millennia pour les modèles Dacor à 2 portes EF36 et PF36	AFM36H2
Trousse de poignées de style d'habillage Millennia pour les modèles Dacor à 3 portes EF36 et PF36	AFM36H3
Trousse de poignées de style d'habillage Preference pour les modèles Dacor à 2 portes EF36 et PF36	AFP36H2
Trousse de poignées de style d'habillage Preference pour les modèles Dacor à 3 portes EF36 et PF36	AFP36H3

Les accessoires ci-dessus sont disponibles auprès de votre vendeur Dacor ou en visitant le site www.everythingdacor.com.

AVANT DE DEMANDER UNE RÉPARATION

Avant de demander une réparation, veuillez consulter le GUIDE DE DÉPANNAGE cidessous.

⚠ AVERTISSEMENT



Risque de choc électrique

Brancher sur une prise à 3 alvéoles reliée à la terre.

Ne pas enlever la broche de liaison à la terre.

Ne pas utiliser un adaptateur.

Ne pas utiliser un câble de rallonge.

Le non-respect de ces instructions peut causer un décès, un incendie ou un choc électrique.

GUIDE DE DÉPANNAGE

PORTE DU RÉFRIGÉRATEUR OU DU CONGÉLATEUR

DIFFICILE À OUVRIR:

- En raison de la circulation d'air entre les compartiments, il peut être difficile d'ouvrir les portes pendant quelques secondes après fermeture de l'une d'elles.

LE DISTRIBUTEUR NE DISTRIBUE PAS D'EAU NI DE GLAÇONS (SUR CERTAINS MODÈLES):

- Un filtre à eau ou la dérivation de filtre doit être bien en place.
- La porte est ouverte.
- L'alimentation en eau est coupée.
- La pression de l'eau est trop faible.
- Verrouillage activé.
- Des glaçons sont coincés dans le distributeur.
- La machine à glaçons ne fonctionne pas.

RIEN NE FONCTIONNE:

- Le cordon d'alimentation n'est pas branché.
- Il n'y a pas de courant au niveau de la prise électrique.
- Le disjoncteur s'est enclenché ou le fusible est grillé.
- La commande principale est en position d'arrêt sur OFF (O).
- Réinitialiser les commandes.
- Vérifier le réglage du mode Sabbath.

L'APPAREIL FONCTIONNE TROP LONGTEMPS/TROP SOUVENT:

- Les réfrigérateurs à économie d'énergie actuels sont plus grands et doivent fonctionner plus longtemps pour maintenir des températures stables.
- Ouvertures prolongées des portes.
- Ouvertures de portes trop fréquentes.
- Le condenseur doit être nettoyé.
- La porte ne ferme pas hermétiquement (en raison d'un paquet ou d'un récipient qui empêche la fermeture de la porte).
- La température de la pièce est élevée.

FONCTIONNEMENT BRUYANT:

- L'appareil n'est pas d'aplomb.
- Le sol est fragile.
- Voir Bruits de fonctionnement normaux.

ODEUR DANS L'APPAREIL:

- Les aliments odorants doivent être couverts ou enveloppés.
- L'intérieur doit être nettoyé.

L'APPAREIL VIBRE:

- L'appareil n'est pas d'aplomb.
- Le sol est fragile.
- Installation incorrecte.

HUMIDITÉ SUR LES PAROIS INTERNES DE L'APPAREIL:

- Ceci peut se produire par temps chaud et humide, en cas d'ouvertures de portes fréquentes ou prolongées.
- La porte n'est pas bien fermée.

EXCÈS D'HUMIDITÉ DANS OU AUTOUR DU TIROIR À CHARCUTERIE:

- Les aliments ne sont pas bien enveloppés.
- Temps chaud et humide.

LE COMPARTIMENT DE RÉFRIGÉRATION EST TROP FROID:

- Le réglage de la température du réfrigérateur est trop froid.

LE COMPARTIMENT DE RÉFRIGÉRATION OU DE CONGÉLATION EST TROP CHAUD:

- Le réglage de la température du réfrigérateur ou du congélateur est trop chaud.
- Ouvertures prolongées des portes.

LE CONGÉLATEUR NE CONGÈLE PAS CORRECTEMENT:

- Les produits à haute teneur en sucre peuvent ne pas se solidifier complètement une fois surgelés (crème glacée, jus concentré, etc.). Ne pas les stocker dans la porte.
- Ajuster la température du congélateur à un réglage plus froid.

LES GLAÇONS S'ÉVAPORENT:

- La circulation d'air froid sur les glaçons les fait rétrécir, en particulier en cas de faible utilisation. Ceci est normal.

LA MACHINE À GLAÇONS AUTOMATIQUE NE FONCTIONNE PAS:

- Le bras métallique est levé (en position d'arrêt OFF).
- L'alimentation en eau est coupée.
- La pression de l'eau est trop faible.
- Le congélateur est trop chaud.
- Installer le filtre ou la dérivation de filtre.

LA SURFACE DE L'AVANT DE L'APPAREIL EST CHAUDE AU TOUCHER:

- La conception spéciale limite la condensation lors des périodes d'humidité élevée.

GARANTIE ET SERVICE

ENTRETIEN DU PRODUIT

Aucun entretien, autre que les INSTRUCTIONS D'ENTRETIEN ET DE NETTOYAGE fournies dans le présent Manuel d'utilisation et d'entretien, ne doit être entrepris par le propriétaire/opérateur. Toute autre tâche d'entretien et de réparation doit être exécutée par un technicien qualifié spécialisé dans les appareils ménagers.

SI VOUS DEVEZ FAIRE RÉPARER VOTRE APPAREIL...

Tout d'abord, passez en revue les éléments de la liste de contrôle de la section Avant de demander une réparation. Ensuite, assurez-vous que l'appareil a été installé correctement et est utilisé convenablement. Prenez connaissance des conditions générales de la garantie présentes dans la section GARANTIE DU PRODUIT.

Si vous avez effectué les vérifications indiquées et que le problème persiste, appelez le représentant agréé DACOR près de chez vous. Votre détaillant peut normalement vous fournir les coordonnées de la compagnie de réparation la plus proche.

DACOR déploie tous les efforts nécessaires pour vous apporter satisfaction lorsque votre produit nécessite d'être réparé. Cependant, si vous n'êtes pas complètement satisfait du service fourni, communiquez avec la compagnie ayant effectué la réparation et expliquez la raison de votre mécontentement. Normalement, le personnel devrait être disposé à intervenir de nouveau et à résoudre le problème.

Si la compagnie de réparation n'est pas en mesure de répondre efficacement, appelez ou écrivez au Service à la clientèle de DACOR.

Dacor Customer Service Team
1440 Bridge Gate Drive
Diamond Bar CA 91765

Téléphone : (800) 793-0093
Télécopieur : (626) 403-3130
Heures d'ouverture : Du Lundi au Vendredi
De 6 h à 17 h, heure normale du Pacifique
Site Web : www.Dacor.com

Veuillez indiquer votre numéro de téléphone si vous choisissez d'écrire. Nous ferons alors de notre mieux pour vous apporter satisfaction.

Ce qui est Couvert

**CERTIFICAT DE GARANTIE
RÉFRIGÉRATEURS DACOR**

DANS LES CINQUANTE ÉTATS DES É.-U., LE DISTRICT DE COLUMBIA ET AU CANADA* :

GARANTIE COMPLÈTE DE UN AN

Un (1) an – À compter de la date d'achat originale chez un détaillant, tout article présentant un défaut dans le cadre d'une utilisation domestique normale sera réparé ou remplacé sans frais. Machine à glaçons - Lorsqu'elle a été achetée avec le réfrigérateur et installée par le détaillant, la machine à glaçons est considérée comme faisant partie du réfrigérateur aux fins de la garantie.

GARANTIE LIMITÉE

Principaux composants de réfrigération

De la deuxième à la cinquième année – Après la première année suivant la date d'achat originale chez un détaillant, jusqu'à la cinquième année, Dacor réparera ou remplacera, à sa discrétion, gratuitement pour les pièces et la main-d'oeuvre uniquement, toute pièce du système de réfrigération scellé (compresseur, évaporateur, condenseur, déshydrateur et tube de raccordement) et le revêtement intérieur (à l'exception du revêtement de la porte) qui s'avérerait défectueuse dans le cadre d'une utilisation domestique normale. Tout autre frais, notamment le kilométrage, les frais de transport, de déplacement, de diagnostic, le cas échéant, restera à la charge du propriétaire.

GARANTIE LIMITÉE

Filtre à eau AquaClean, si le réfrigérateur en est équipé 30 jours – À partir de la date d'achat originale chez un détaillant, toute pièce de la cartouche du filtre à eau défectueuse en raison d'un vice de matériau ou de fabrication sera remplacée gratuitement.

GARANTIE LIMITÉE

Autres pièces

Deuxième année – Les pièces, autres que les principaux composants de réfrigération, présentant un défaut dans le cadre d'une utilisation domestique normale au cours de la deuxième année suivant la date d'achat originale chez un détaillant, seront réparées ou remplacées (gratuitement s'agissant de la pièce elle-même, les autres frais, notamment le kilométrage et les frais de main-d'oeuvre, de transport, de déplacement et de diagnostic, le cas échéant, restant à la charge du propriétaire).

REMARQUE

La garantie complète et les garanties limitées s'appliquent lorsque le réfrigérateur se trouve aux États-Unis ou au Canada. Les réfrigérateurs situés en tout autre endroit ne sont couverts que par les garanties limitées, ceci incluant les pièces défectueuses durant la première année.

RÉSIDENTS CANADIENS

Les garanties ci-dessus ne couvrent que les appareils installés au Canada ayant été certifiés ou agréés par les organismes de test appropriés comme respectant les Normes nationales du Canada, sauf si l'appareil a été transporté au Canada à la suite d'un déménagement des États-Unis vers le Canada.

LIMITATIONS DE RESPONSABILITÉ

Le garant décline toute responsabilité au titre des dommages indirects ou consécutifs, notamment la perte d'aliments. Certains États ne permettent pas l'exclusion ou la limitation des dommages indirects ou consécutifs; les limitations ci-dessus peuvent par conséquent ne pas s'appliquer à votre cas.

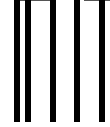
GARANTIE ET SERVICE

Ce qui N'est Pas Couvert

1. Tout préjudice découlant de l'une des situations suivantes:
 - a. Installation, livraison ou entretien inappropriés.
 - b. Toute réparation, modification, correction ou tout réglage non autorisé(e) par le fabricant ou par un agent de réparation agréé.
 - c. Utilisation inappropriée ou abusive, accidents ou utilisation déraisonnable.
 - d. Courant, tension ou alimentation électrique inadéquat(e).
 - e. Mauvais réglage des commandes.
2. Les garanties sont nulles si les numéros de série originaux ont été retirés, modifiés ou sont illisibles.
3. Les ampoules.
4. Les produits achetés pour une utilisation commerciale ou industrielle.
5. Les frais de réparation ou interventions pour:
 - a. Corriger des erreurs d'installation.
 - b. Indiquer à l'utilisateur comment utiliser correctement le produit.
 - c. Transporter l'appareil jusqu'à l'agent d'entretien.
6. Les dommages indirects ou consécutifs subis par toute personne du fait du non-respect des termes des présentes garanties. Certains États ne permettent pas l'exclusion ou la limitation des dommages indirects ou consécutifs; les limitations ci-dessus peuvent par conséquent ne pas s'appliquer à votre cas.

NOTES

fold here

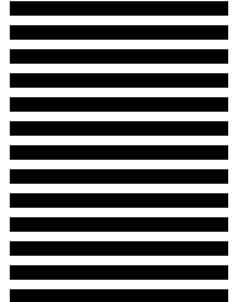


NO POSTAGE
NECESSARY
IF MAILED
IN THE
UNITED STATES

BUSINESS REPLY MAIL
FIRST-CLASS MAIL PERMIT NO. 4507 DIAMOND BAR CA

POSTAGE WILL BE PAID BY ADDRESSEE

DACOR INC.
ATTN: WARRANTY PROCESSING DEPT
1440 BRIDGE GATE DR STE 200
PO BOX 6532
DIAMOND BAR CA 91765-9861





IMPORTANT:

Votre garantie ne sera pas activée tant que vous n'aurez pas effectué l'activation en ligne ou que n'aurez pas retourné le présent formulaire à Dacor. Si vous avez acheté plus d'un produit Dacor, veuillez retourner l'ensemble des formulaires dans une seule enveloppe ou activer la garantie pour chaque produit en ligne.

Soyez assuré qu'à aucun moment Dacor ne vendra votre nom ou un quelconque renseignement figurant sur ce formulaire aux fins de publipostage. Nous vous sommes reconnaissants d'avoir choisi les produits Dacor pour votre domicile et nous ne pensons pas que la vente de tels renseignements soit un bon moyen de vous exprimer notre gratitude!

Propriétaire: _____
Nom de famille (en lettres d'imprimerie ou à la machine) Prénom Second prénom

Rue: _____

Ville: _____ État/province: _____ Code postal: _____

Date d'achat: _____ Courriel: _____ Téléphone: _____

Détaillant: _____

Ville: _____ État/province: _____ Code postal: _____

Nous apprécions le fait que vous vouliez bien consacrer quelques secondes à remplir la section ci-dessous. Merci.

1. Comment avez-vous eu connaissance pour la première fois des produits Dacor? (Cochez une seule case.)

- | | |
|--|---|
| <input type="checkbox"/> A. Émission culinaire à la télévision | <input type="checkbox"/> F. Constructeur |
| <input type="checkbox"/> B. Magazine | <input type="checkbox"/> G. Architecte/Designer |
| <input type="checkbox"/> C. Salle d'exposition d'un vendeur d'appareils ménagers | <input type="checkbox"/> H. Autre propriétaire de produit Dacor |
| <input type="checkbox"/> D. Salle d'exposition d'un vendeur de cuisines | <input type="checkbox"/> I. Maison modèle |
| <input type="checkbox"/> E. Salon du foyer | <input type="checkbox"/> J. Autre _____ |

2. Où/à qui avez-vous acheté vos appareils ménagers Dacor?

- | | |
|---|--|
| <input type="checkbox"/> A. Détaillant d'appareils ménagers | <input type="checkbox"/> D. Constructeur |
| <input type="checkbox"/> B. Vendeur de cuisines | <input type="checkbox"/> E. Autre _____ |
| <input type="checkbox"/> C. Fournisseur du constructeur | |

3. À quelle fin le produit a-t-il été acheté?

- | | |
|--|---|
| <input type="checkbox"/> A. Remplacement uniquement | <input type="checkbox"/> C. Nouvelle maison |
| <input type="checkbox"/> B. Partie d'une rénovation | <input type="checkbox"/> D. Autre _____ |

4. Quel est le revenu de votre foyer?

- | | |
|---|---|
| <input type="checkbox"/> A. Inférieur à \$75,000 | <input type="checkbox"/> D. \$150,000 – \$200,000 |
| <input type="checkbox"/> B. \$75,000 – \$100,000 | <input type="checkbox"/> E. \$200,000 – \$250,000 |
| <input type="checkbox"/> C. \$100,000 – \$150,000 | <input type="checkbox"/> F. Supérieur à \$250,000 |

5. Quelles autres marques d'appareils ménagers avez-vous dans votre cuisine?

- | | |
|---------------------------|-------------------------|
| A. Table de cuisson _____ | C. Lave-vaisselle _____ |
| B. Four _____ | D. Réfrigérateur _____ |

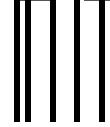
6. Achèteriez-vous ou recommanderiez-vous un autre produit Dacor?

- Oui Non

Commentaires: _____

Merci de votre aide. Les renseignements fournis nous seront très utiles pour nous aider à planifier pour le futur et vous apporter le soutien que vous méritez.

fold here

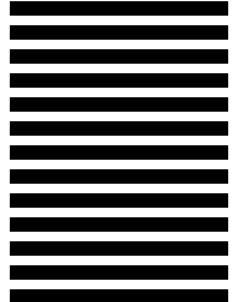


NO POSTAGE
NECESSARY
IF MAILED
IN THE
UNITED STATES

BUSINESS REPLY MAIL
FIRST-CLASS MAIL PERMIT NO. 4507 DIAMOND BAR CA

POSTAGE WILL BE PAID BY ADDRESSEE

DACOR INC.
ATTN: WARRANTY PROCESSING DEPT
1440 BRIDGE GATE DR STE 200
PO BOX 6532
DIAMOND BAR CA 91765-9861





Please visit www.Dacor.com to activate your warranty online.

WARRANTY INFORMATION



IMPORTANT:

Your warranty will not be activated until you activate it online or return this form to Dacor. If you have purchased more than one Dacor product, please return all forms in one envelope or activate the warranty for each product online.

Please rest assured that under no conditions will Dacor sell your name or any of the information on this form for mailing list purposes. We are very grateful that you have chosen Dacor products for your home and do not consider the sale of such information to be a proper way of expressing our gratitude!

Owner's Name: _____
Last (Please Print or Type) First Middle

Street: _____

City: _____ State: _____ Zip: _____

Purchase Date: _____ Email: _____ Telephone: _____

Dealer: _____

City: _____ State: _____ Zip: _____

Your willingness to take a few seconds to fill in the section below will be sincerely appreciated. Thank you.

1. How were you **first** exposed to Dacor products? (Please check one only.)

- A. T.V. Cooking Show
- B. Magazine
- C. Appliance Dealer Showroom
- D. Kitchen Dealer Showroom
- E. Home Show
- F. Builder
- G. Architect/Designer
- H. Another Dacor Owner
- I. Model Home
- J. Other _____

2. Where did you buy your Dacor appliances?

- A. Appliance Dealer
- B. Kitchen Dealer
- C. Builder Supplier
- D. Builder
- E. Other _____

3. For what purpose was the product purchased?

- A. Replacement *only*
- B. Part of a Remodel
- C. New Home
- D. Other _____

4. What is your household income?

- A. Under \$75,000
- B. \$75,000 – \$100,000
- C. \$100,000 – \$150,000
- D. \$150,000 – \$200,000
- E. \$200,000 – \$250,000
- F. Over \$250,000

5. What other brands of appliances do you have in your kitchen?

- A. Cooktop _____
- B. Oven _____
- C. Dishwasher _____
- D. Refrigerator _____

6. Would you buy or recommend another Dacor product?

- Yes
- No

Comments: _____

Thank you very much for your assistance. The information you have provided will be extremely valuable in helping us plan for the future and giving you the support you deserve.

cut here

cut here