

Viking Use/Installation Guide



Undercounter/Freestanding Wine Cellars

IMPORTANT - PLEASE READ AND FOLLOW

- Before beginning, please read these instructions completely and carefully.
- Do not remove permanently affixed labels, warnings, or plates from the product. This may void the warranty.
- Please observe all local and national codes and ordinances.
- Please ensure that this product is properly grounded.
- The installer should leave these instructions with the consumer who should retain for local inspector's use and for future reference.

A GFI shall be used if required by NFPA-70 (National Electric Code), federal/state/local laws, or local ordinances.

- The required use of a GFI is normally related to the location of a receptacle with respect to any significant sources of water or moisture.
- Viking Range Corporation will NOT warranty any problems resulting from GFI outlets which are not installed properly or do not meet the requirements below.

If the use of a GFI is required, it should be:

- Of the receptacle type (breaker type or portable type NOT recommended)
- Used with permanent wiring only (temporary or portable wiring NOT recommended)
- On a dedicated circuit (no other receptacles, switches or loads in the circuit)
- Connected to a standard breaker of appropriate size (GFI breaker of the same size NOT recommended)
- Rated for Class A (5 mA +/- 1 mA trip current) as per UL 943 standard
- In good condition and free from any loose-fitting gaskets (if applicable in outdoor situations)
- Protected from moisture (water, steam, high humidity) as much as reasonably possible

⚠ WARNING

To reduce the risk of fire, electric shock, or injury when using your unit, follow these basic precautions:

- Read all instructions before using the unit.
- Never allow children to operate, play with, or crawl inside the unit.
- Never clean unit parts with flammable fluids. The fumes can create a fire hazard or explosion.
- Always turn the power on/off switch (located behind the air grille on top right side) to the OFF position before attempting to change light bulbs, clean, or service the unit.

FOR YOUR SAFETY

DO NOT STORE OR USE GASOLINE OR OTHER FLAMMABLE VAPORS AND LIQUIDS IN THE VICINITY OF THIS OR ANY OTHER APPLIANCE. THE FUMES CAN CREATE A FIRE HAZARD OR EXPLOSION.

It is your responsibility to be sure your wine cellar is:

- located so the front is not blocked to restrict incoming or discharge air flow.
- properly leveled.
- located in a well ventilated area.
- connected to the proper kind of outlet, with the correct electric supply and grounding. A 115V, 60 Hz, 15 amp fused electrical supply is required. **NOTE:** Time delay fuse or circuit breaker is recommended.
- not used by anyone unable to operate it properly.
- used only for its intended purpose.
- properly maintained.

•SAVE THESE INSTRUCTIONS•

PROPER DISPOSAL (OF OLD REFRIGERATION UNIT)

⚠ DANGER

RISK OF CHILD ENTRAPMENT

Before You Throw Away Your Old Refrigeration Unit:

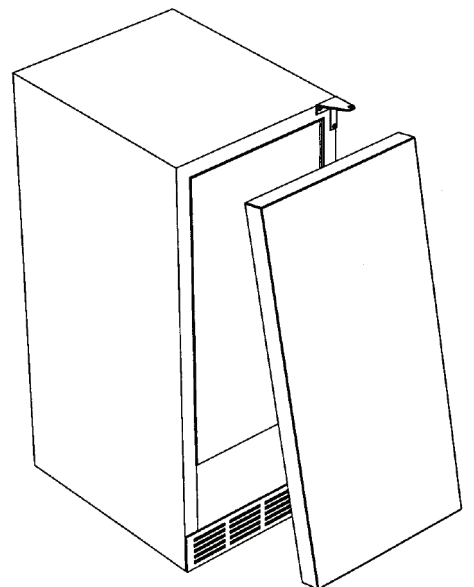
- Take off the doors.
- Leave the shelves in place so that children may not easily climb inside.

IMPORTANT: Child entrapment and suffocation are not problems of the past. Junked or abandoned refrigeration units are still dangerous... even if they will sit for "just a few days."

IMPORTANT:

Now that you have a new wine cellar, it is extremely important that you dispose of your old appliance in a way that minimizes the possibility that children will find it. There have been many cases in years past of children crawling inside junked and abandoned refrigeration units and becoming trapped or suffocated.

Contact your municipal waste disposal authority to find out the best and safest way to dispose of your old refrigeration unit.



GENERAL INFORMATION

Unpack

1. Remove banding from bottom of carton. Lift carton up and off of the wine cellar
2. Remove all tape and packaging material from the outside and inside of the cabinet.
3. Keep all carton packaging until your wine cellar has been thoroughly inspected and found to be in good condition.

AREA REQUIREMENTS

1. Place unit so the front side will be completely unobstructed to provide proper air flow. The unit may be closed in on the top and three sides, but the front **MUST BE** unobstructed for air circulation and proper operation. Installation should be such that the cabinet can be moved for servicing if necessary.
2. Unit should be in a well ventilated area with temperature above 55°F (13°C) and below 110°F (43°C). Best results are obtained at temperatures between 65°F (18°C) and 80°F (27°C) for built-in models and 65°F (18°C) and 90°F (32°C) for freestanding models.
3. Provisions for electricity should be determined before placing unit in proper place.

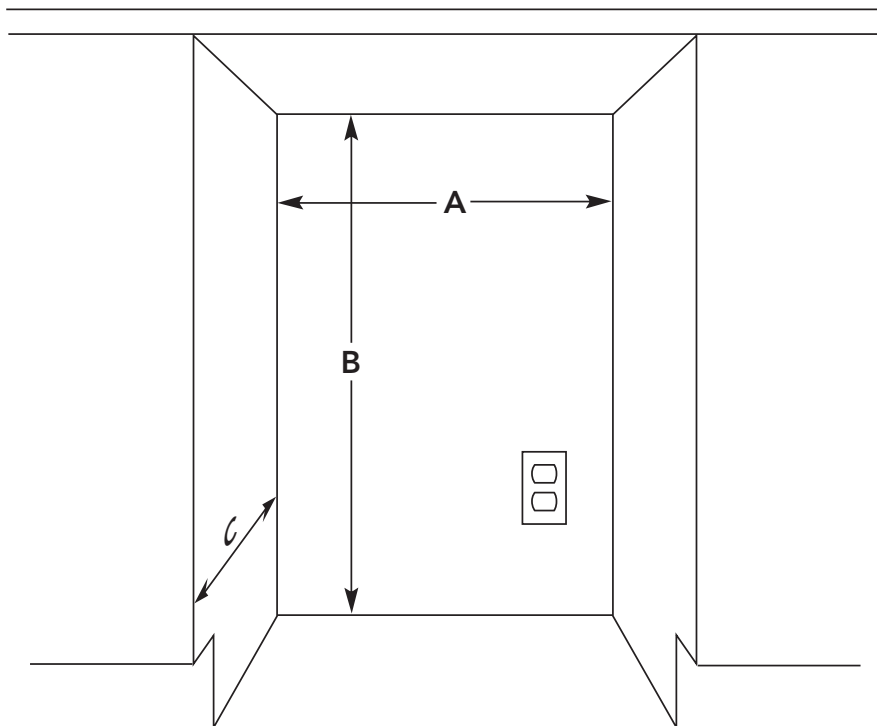
Units Certified for Outdoor Use - outdoor models contain a T after the base model number (ex. VUWC144T) and have a stainless steel outer cabinet.

1. Place unit so the front side will be completely unobstructed to provide proper air flow. The unit may be closed in on the top and three sides, but the front **MUST BE** unobstructed for air circulation and proper operation. Installation should be such that the cabinet can be moved for servicing if necessary.
2. Unit should be in a well ventilated area with temperature above 40°F (4.4°C) and below 110°F (43°C). Best results are obtained at temperatures between 60°F (16°C) and 100°F (38°C).
3. Provisions for electricity should be determined before placing unit in proper place.

UNDERCOUNTER CABINET CUTOUT

	15" W. Models	24" W. Models
A	15" (38.1 cm)*	24" (61.0 cm)*
B	Min. 34-1/2" (87.6 cm) Max. 35-1/8" (89.2 cm)	Min. 34-1/2" (87.6 cm) Max. 35-1/8" (89.2 cm)
C	24" (61.0 cm)	24" (61.0 cm)

*Add 1/4" (.64 cm) to cutout width if door is recessed between cabinets.



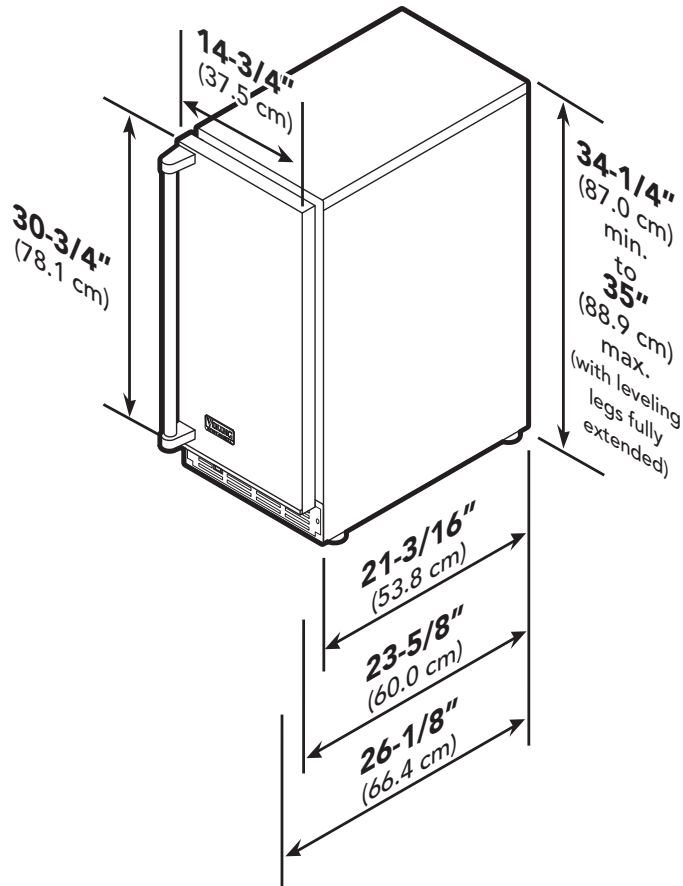
SPECIFICATIONS/DIMENSIONS PROFESSIONAL - 15"W. Models

Basic Electric Data

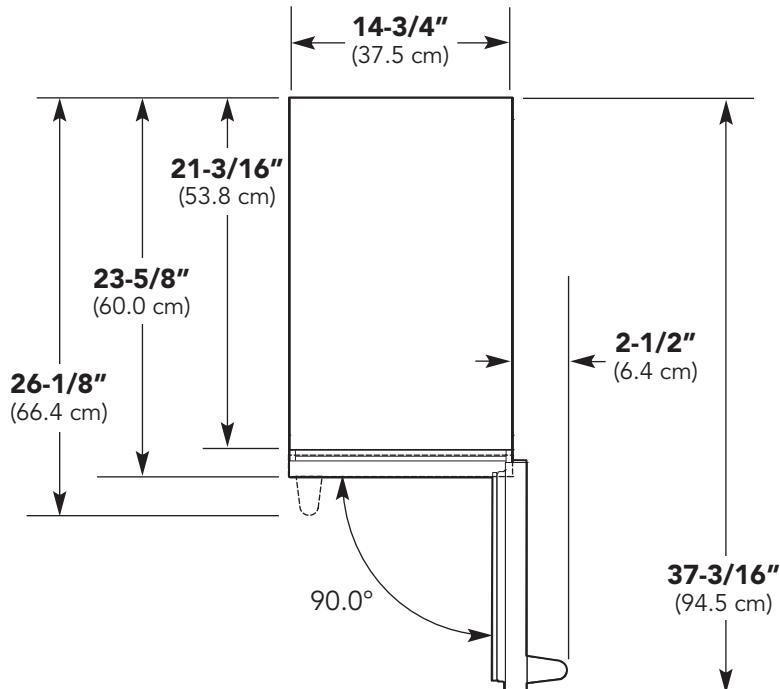
- 115 VAC/60 Hz
 - Maximum amps - 3.0
- Approximate Shipping Weight - 110 lbs. (49.5 kg)

Dimensions

VUWC 15"W.



Door Swing VUWC 15"W.



SPECIFICATIONS/DIMENSIONS

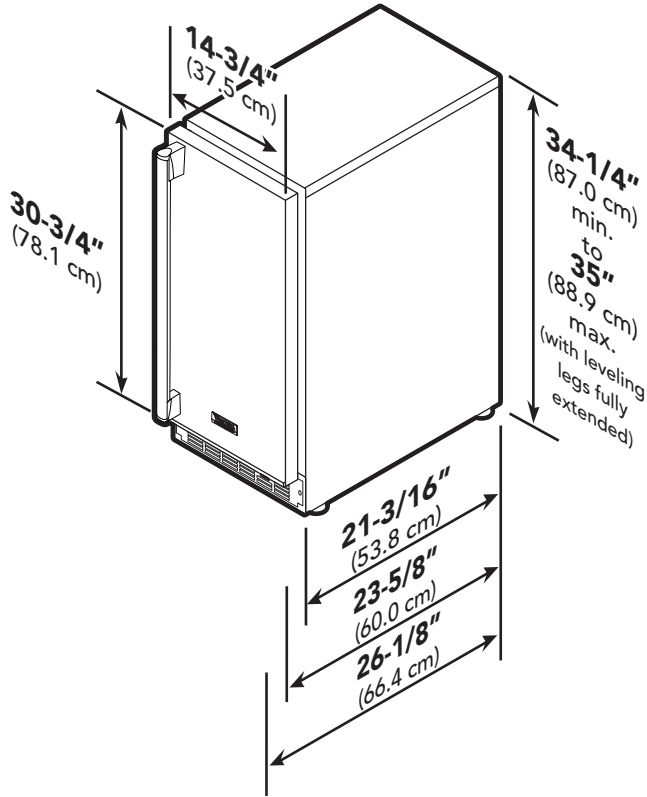
DESIGNER - 15"W. Models

Basic Electric Data

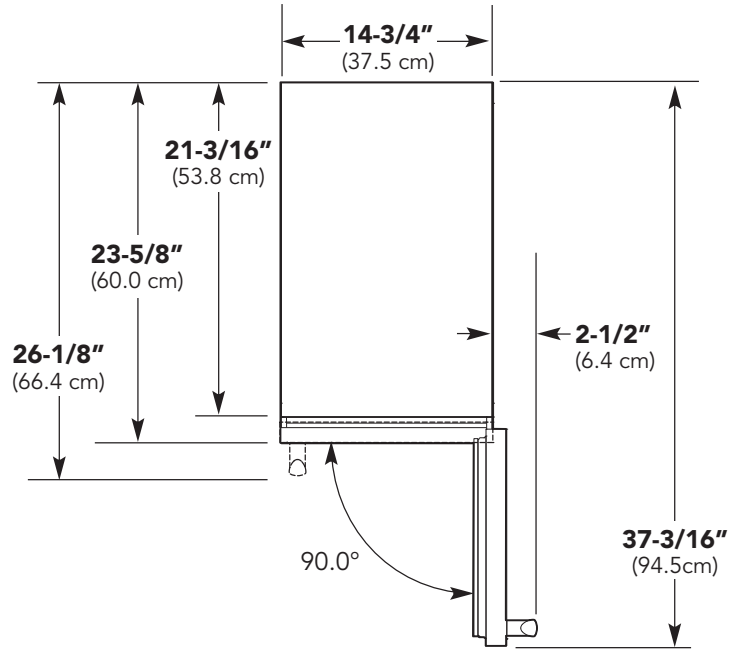
- 115 VAC/60 Hz
- Maximum amps - 3.0
- Approximate Shipping Weight - 110 lbs. (49.5 kg)

Dimensions

DUWC 15"W.

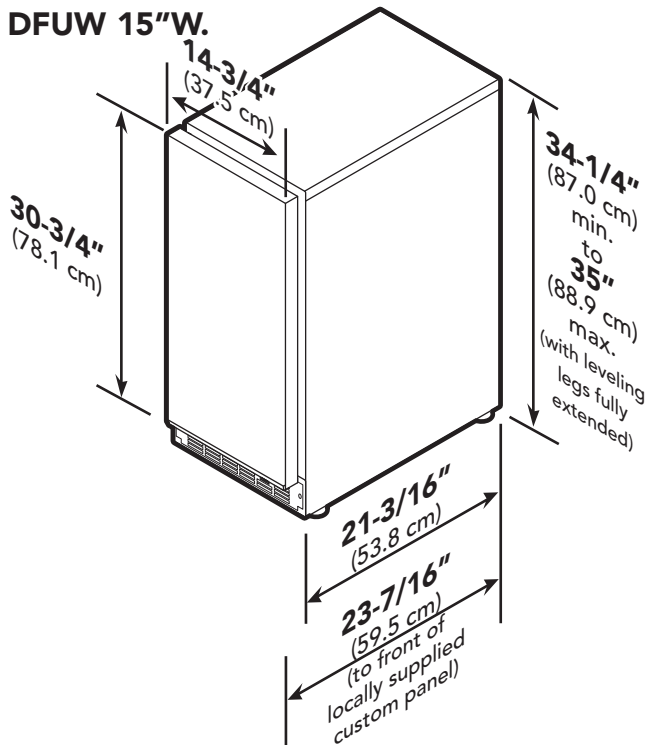


Door Swing DUWC 15"W.

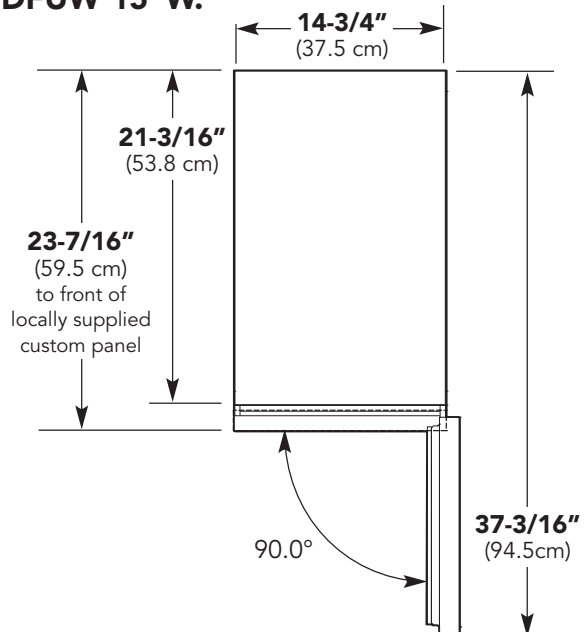


Dimensions

DFUW 15"W.



Door Swing DFUW 15"W.

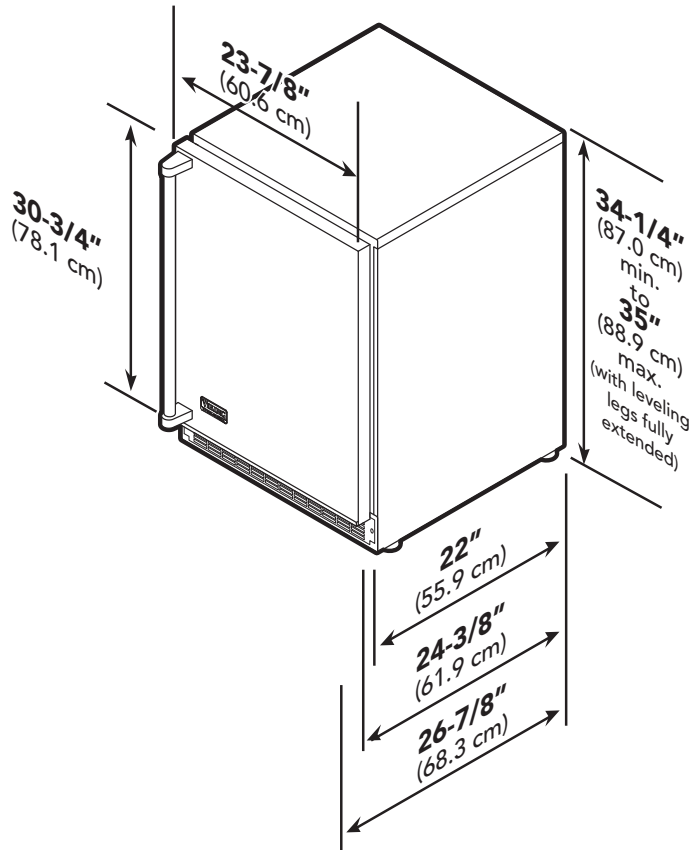


SPECIFICATIONS/DIMENSIONS PROFESSIONAL - 24" W. Models

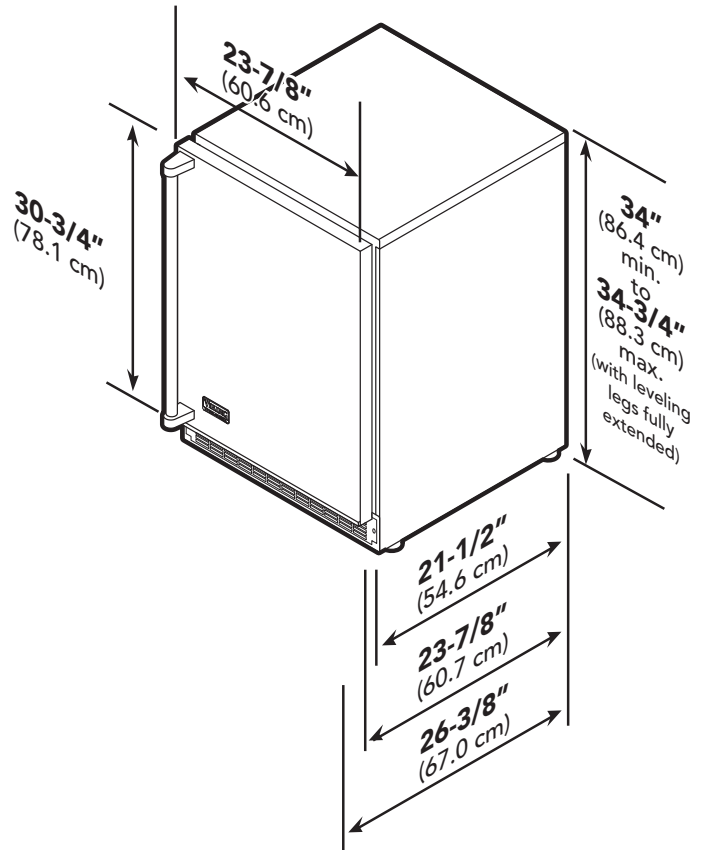
Basic Electric Data

- 115 VAC/60 Hz
- Maximum amps - 3.3
- Approximate Shipping Weight
Single Zone - 140 lbs. (63.2 kg)
Dual Zone - 170 lbs. (76.5 kg)

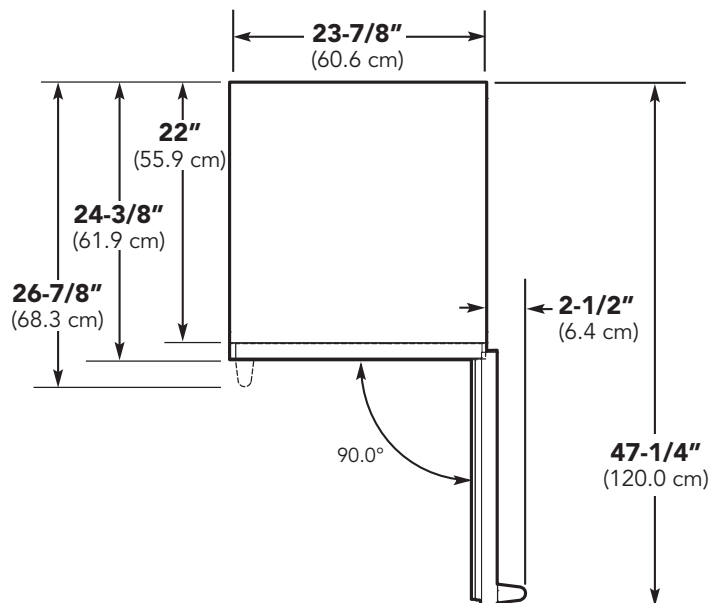
Dimensions VUWC 24"W. - Single Zone



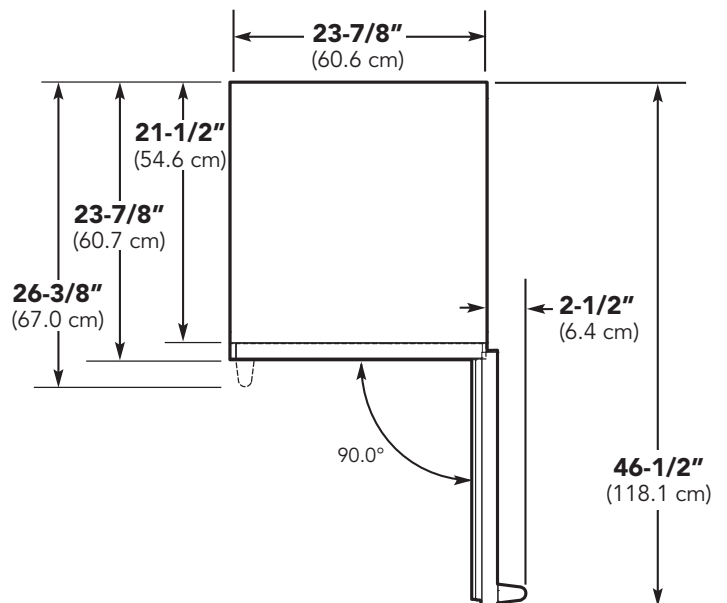
Dimensions VUWC 24"W. - Dual Zone



Door Swing VUWC 24"W. - Single Zone



Door Swing VUWC 24"W. - Dual Zone



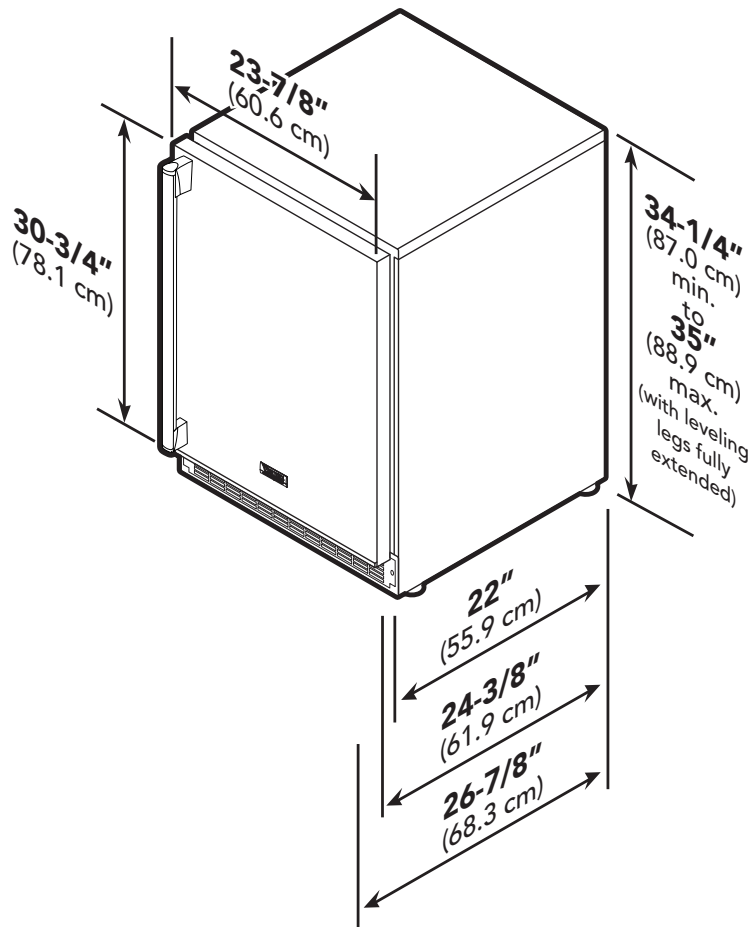
SPECIFICATIONS/DIMENSIONS

DESIGNER - 24" W. Models

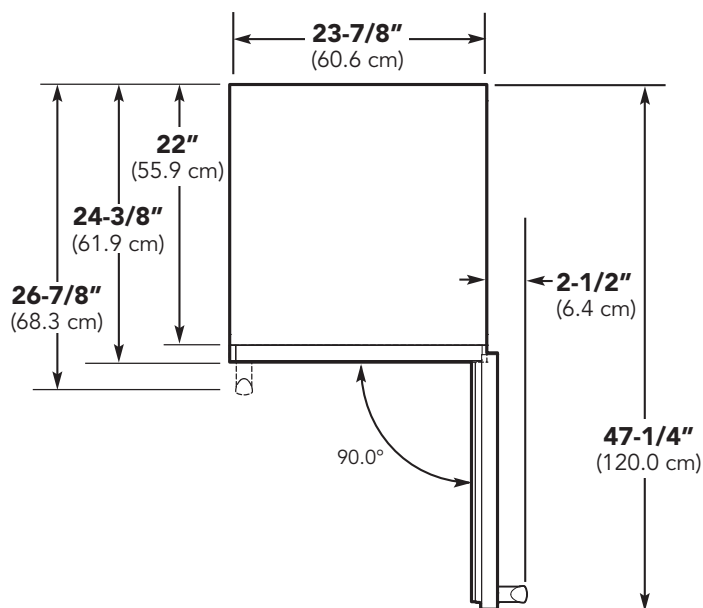
Basic Electric Data

- 115 VAC/60 Hz
- Maximum amps - 3.3
- Approximate Shipping Weight
 Single Zone - 140 lbs. (63.2 kg)
 Dual Zone - 170 lbs. (76.5 kg)

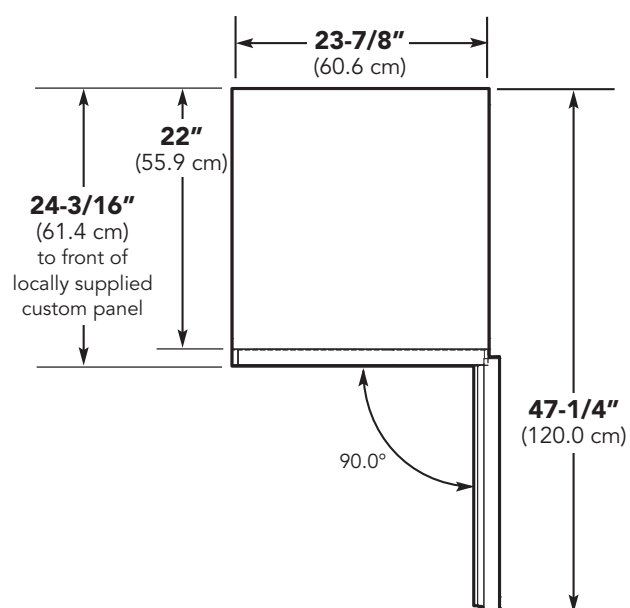
Dimensions DUWC 24"W. - Single Zone



Door Swing DUWC 24"W. - Single Zone



Door Swing DFUW 24"W. - Single Zone



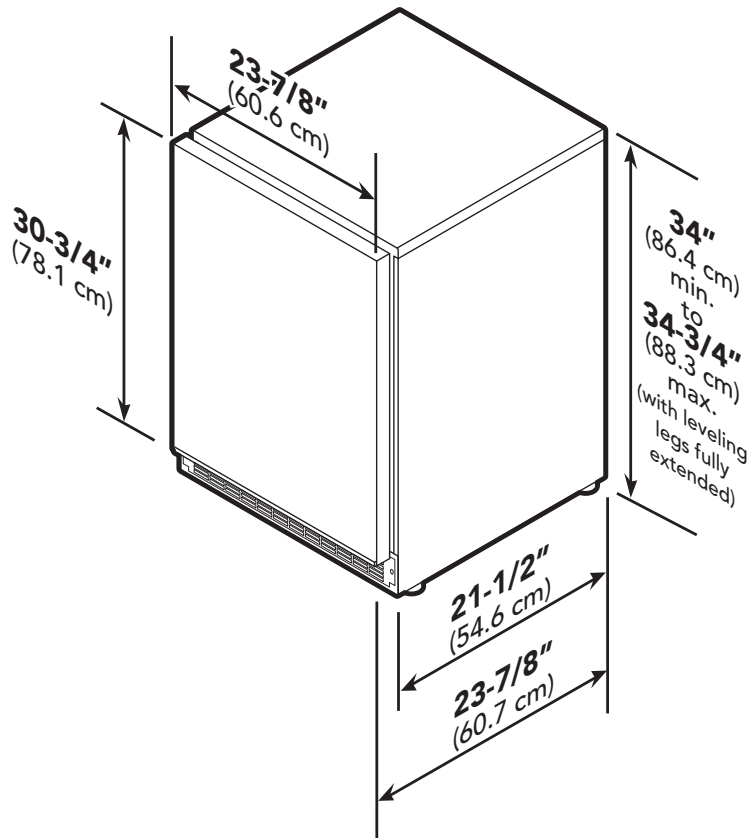
SPECIFICATIONS/DIMENSIONS

DESIGNER - 24" W. Models

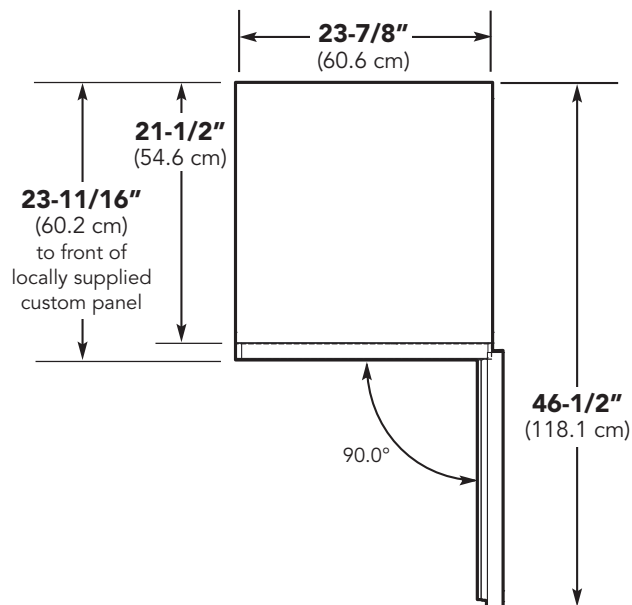
Basic Electric Data

- 115 VAC/60 Hz
- Maximum amps - 3.3
- Approximate Shipping Weight
 - Single Zone - 140 lbs. (63.2 kg)
 - Dual Zone - 170 lbs. (76.5 kg)

Dimensions DFUW 24"W. - Dual Zone



Door Swing DFUW 24"W. - Dual Zone



CUSTOM WOOD FRAME INSTALLATION (DFUW Model)

NOTE: Weight of wood panel must not exceed 20 lbs.

Wood Screws

1. A #10 pan head wood screw should be used to properly secure the wood panel. A total of 8 screws will be needed.
2. Only use pan head screws.
3. **DO NOT** select a screw that is longer than the wood thickness at the screw locations.
4. Use recommended pilot holes for the frame material. (See chart)

Working Material	Wood Screw Size #10
Hardwood	3/32 (0.24 cm)
Softwood	5/64 (0.20 cm)

Assembling Door Hinge Brackets

(Disregard if hinge brackets are already attached)

1. Attach the top and bottom door hinge brackets to the door with the #10-32 machine screws and a 1/8" allen head driver as shown in Figure 1 below.
2. Press in the shoulder bushings to the top and bottom door hinge brackets. Make certain that the shoulder is to the outside of the door as shown in Figure 1 below.
3. Test fit the door to the unit to make certain door will hang correctly. The door is hung correctly when the top of the door is parallel to the top of the unit. Adjustments can be made by loosening the door hinge machine screws and moving the door hinge brackets on the door.
4. Tighten all four (4) machine screws after adjustments have been made.
5. Remove the door from the unit by removing the units top hinge set screw and angling the door off of the bottom hinge pin.

FIGURE 1

Typical Top and Bottom Door Hinge Bracket Assembly

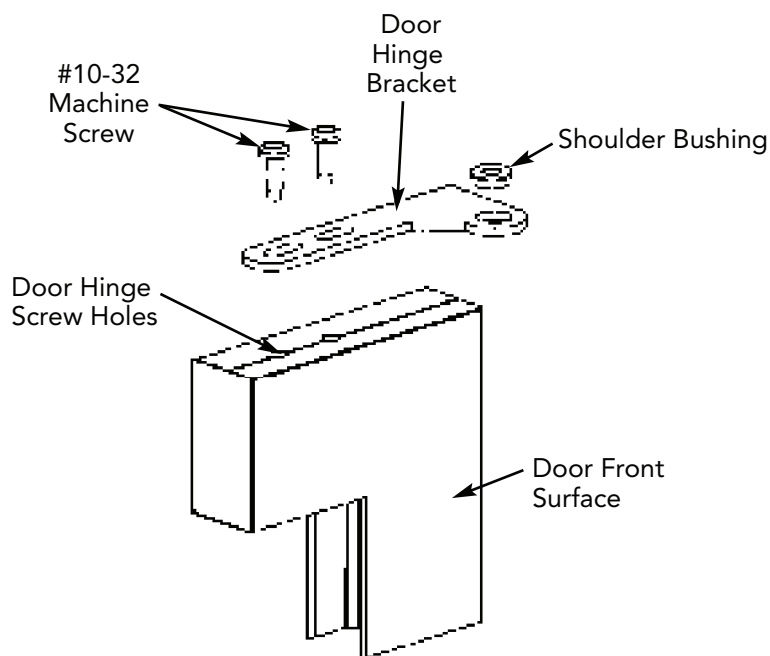
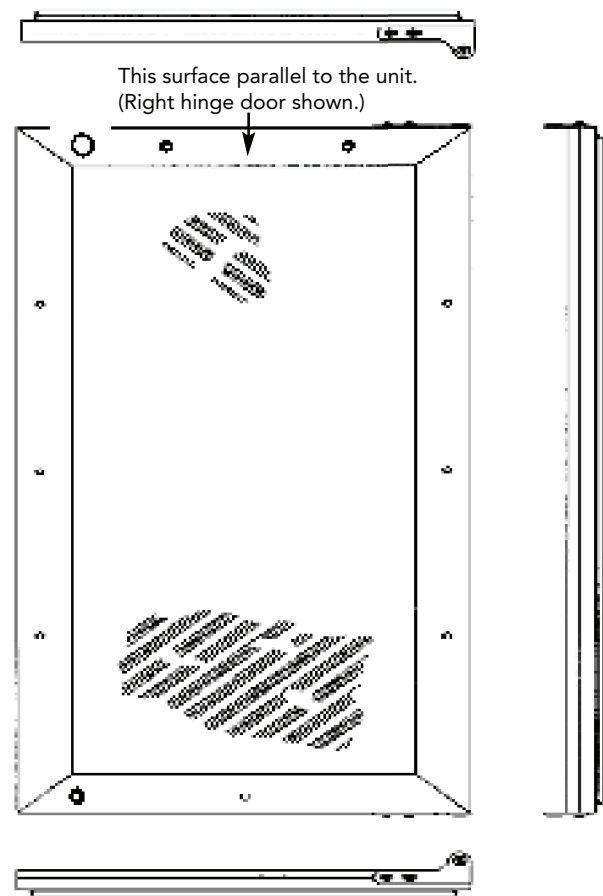
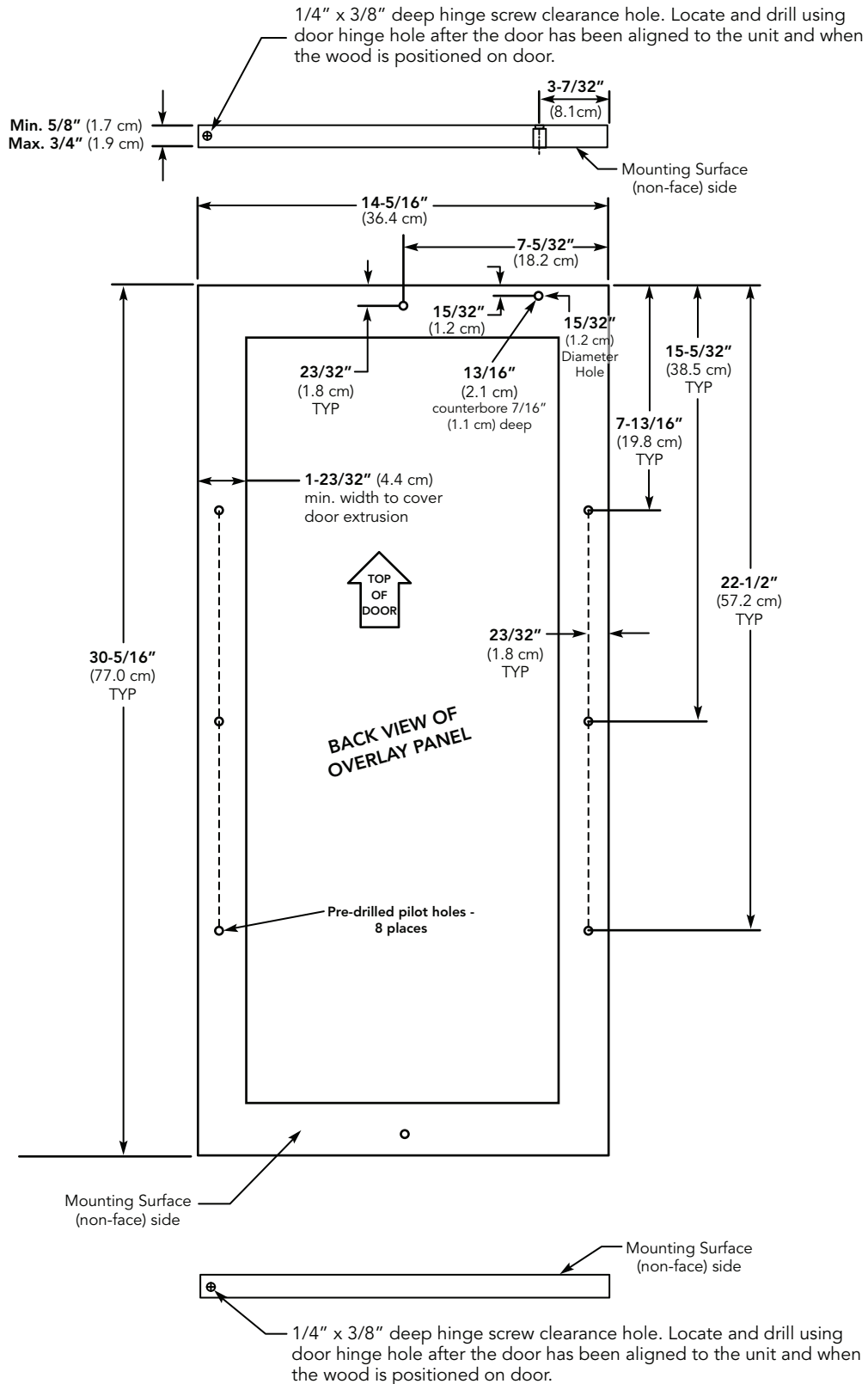


FIGURE 2



Selecting and Preparing the Wood Frame - 15"W. DFUW Model

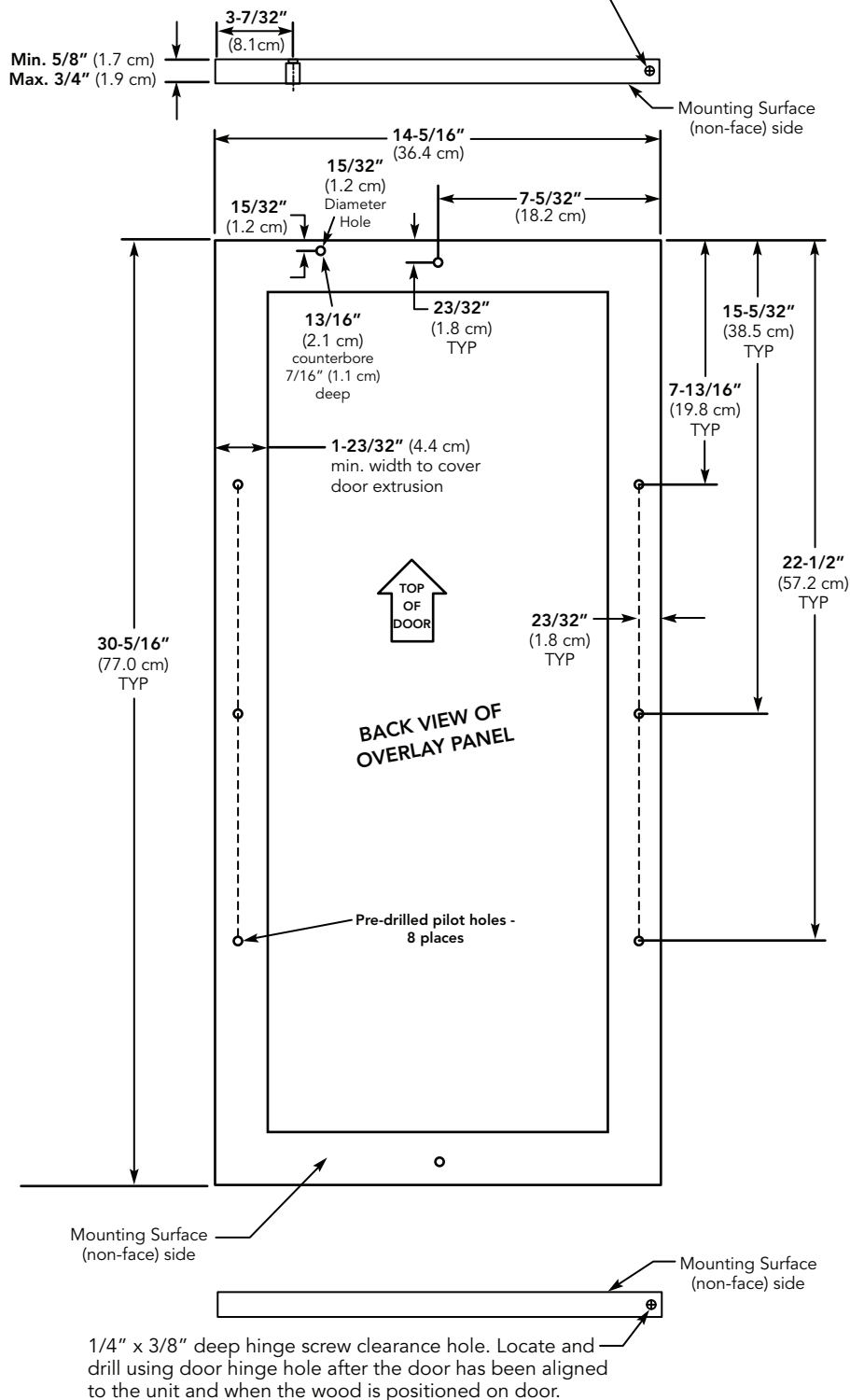
FOR 3-1/2" TOE KICK (COVERS THE ENTIRE DOOR EXTRUSION - LEFT HINGE)



Selecting and Preparing the Wood Frame - 15"W. DFUW Model

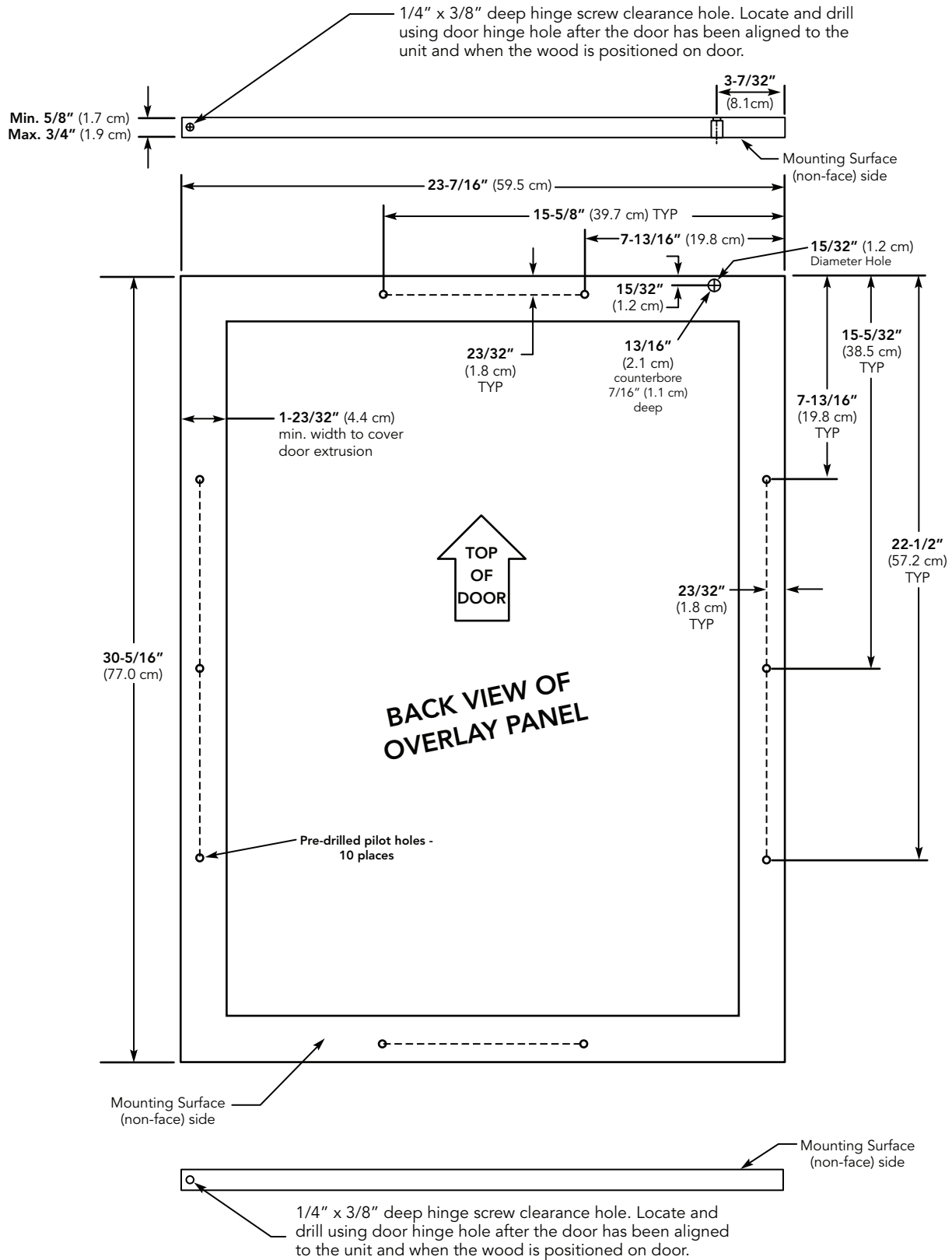
FOR 3-1/2" TOE KICK
(COVERS THE ENTIRE DOOR EXTRUSION - RIGHT HINGE)

1/4" x 3/8" deep hinge screw clearance hole. Locate and drill using door hinge hole after the door has been aligned to the unit and when the wood is positioned on door.



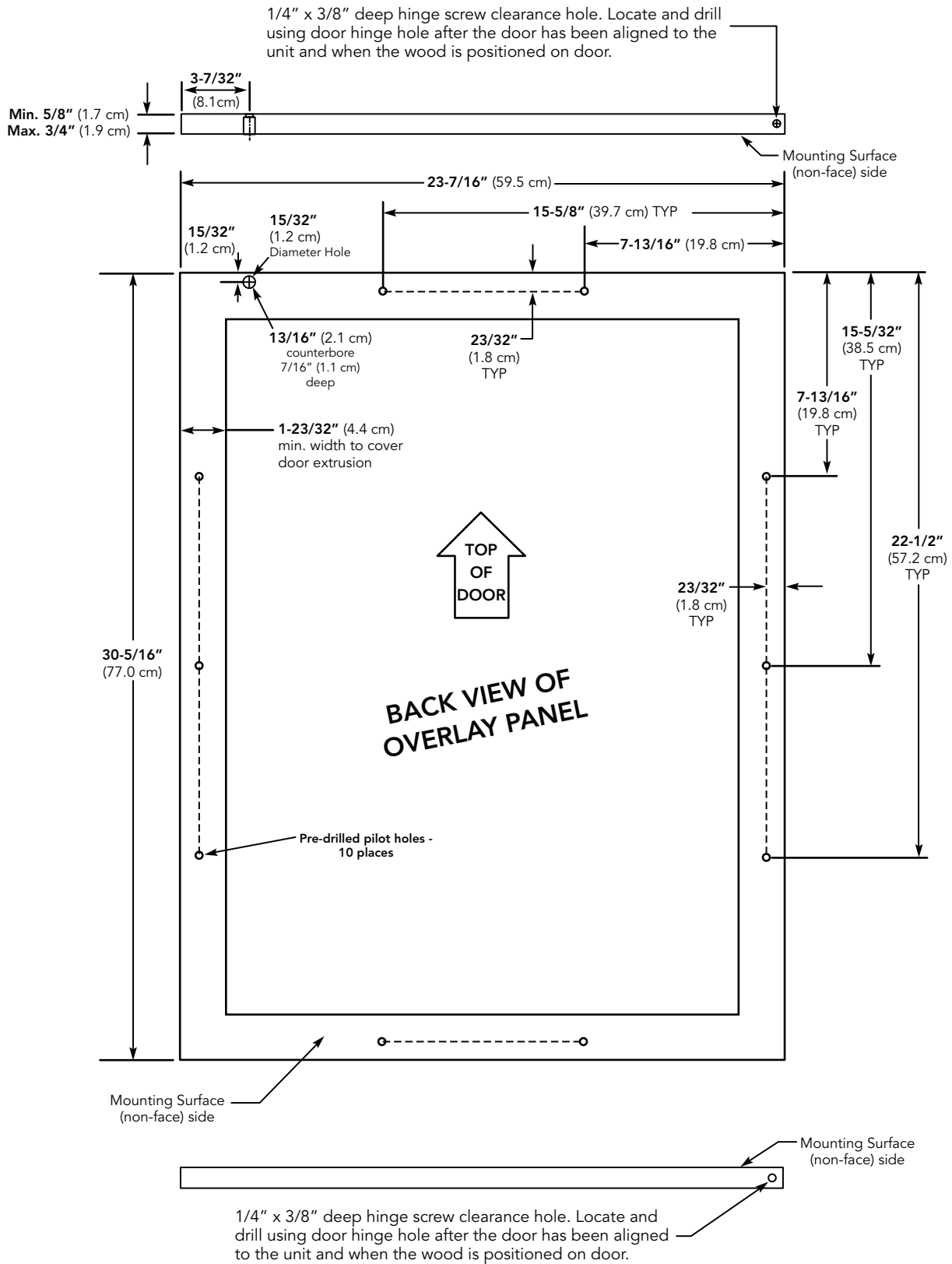
Selecting and Preparing the Wood Frame - 24"W. DFUW Model

FOR 3-1/2" TOE KICK
(COVERS THE ENTIRE DOOR EXTRUSION - LEFT HINGE)



Selecting and Preparing the Wood Frame - 24"W. DFUW Model

FOR 3-1/2" TOE KICK (COVERS THE ENTIRE DOOR EXTRUSION - RIGHT HINGE)

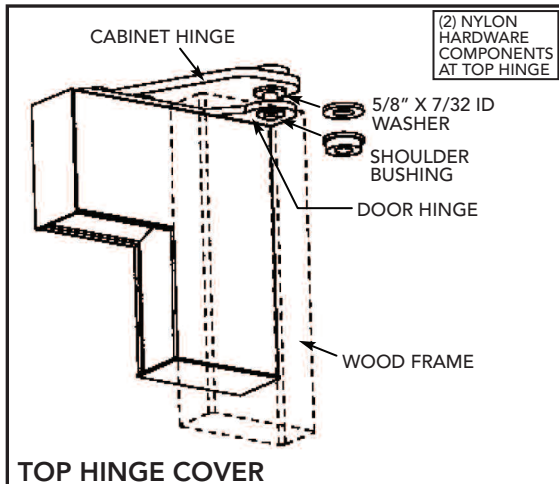


Attaching the Handle

Attach the handle of your choice by drilling mounting holes through panel. Countersink or counterbore holes from backside of panel for handle screw heads to be flush.

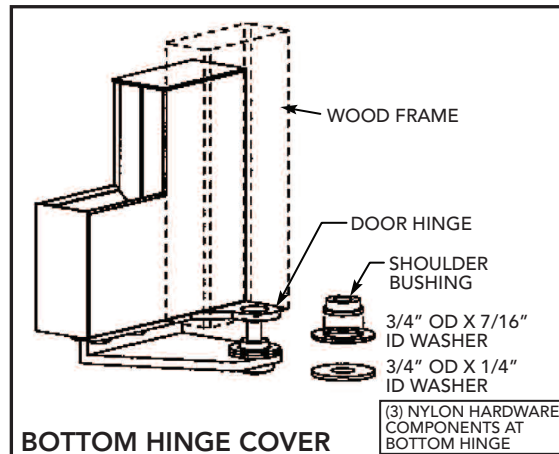
Attaching the Wood Frame to the Door - DFUW Model

1. If the door is attached to the unit, remove by unscrewing the top Allen head set screw at the top hinge. Remove the door by angling the door off of the bottom hinge pin.
2. Install the supplied lock body into the wood panel. Secure the lock body by using the supplied 15mm lock retaining nut. Screw the retaining nut onto the lock body's threaded section. Make sure the lock's key slot is vertical, then tighten the nut with a 15mm deep well socket.
3. Peel back the door gasket to expose the screw holes and lock location hole.
4. Set the wood frame flush to the front of the door in the desired location. Clamp the wood frame to the door if necessary. Check to make sure the back of the lock in the wood frame lines up with the hole in the door.
5. Insert the wood screws through the back of the door into the pilot holes in the wood frame and tighten.
6. Assemble the door lock's Phillips head screw, lock extension, and lock cam. Mount them to the back of the lock body. The cam should be oriented vertically. Tighten the Phillips head screw to secure the lock assembly.
7. Reinstall the door gasket by pressing into the door channel. Make certain the corners are inserted fully. Insert the key into the lock and make sure lock operates properly.
8. Install the door to the unit. Use the supplied plastic washer as shown in the figure below.
9. Realigning the door may be necessary. Any final door adjustments can be made using a 1/8" Allen head driver to adjust the door's hinges. (See figure below.)
10. Attach the door to the unit by reversing step number 1 above.
11. Insert the key into the lock and verify that the lock cam works properly with the catch bracket on the cabinet front.



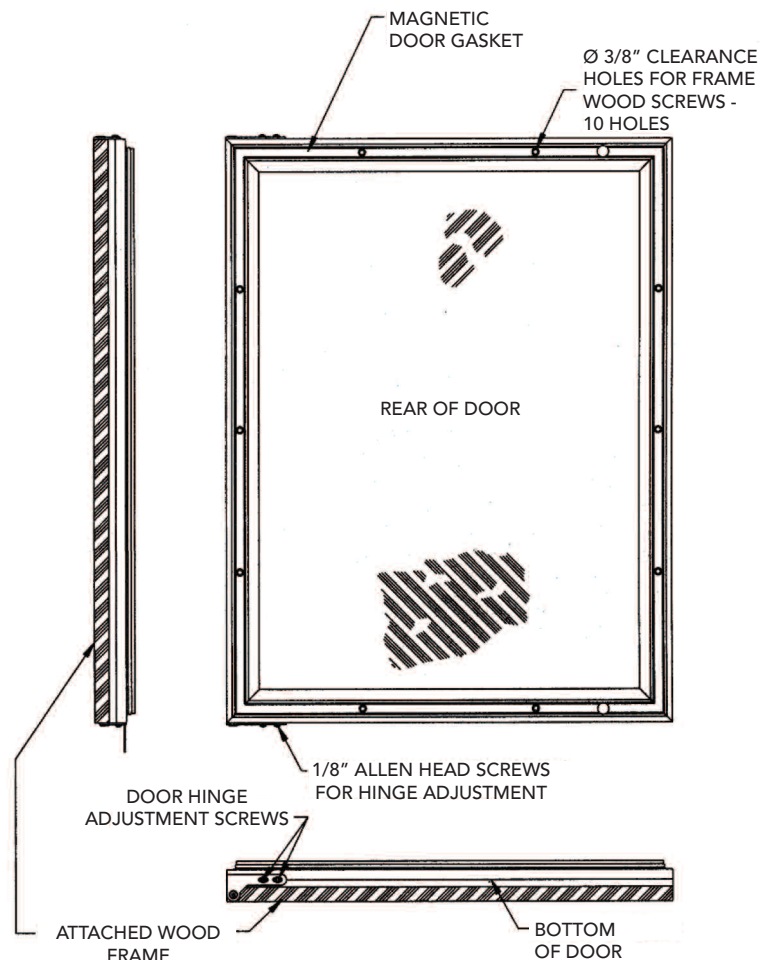
CAUTION

Door can become disengaged if washers are not installed.

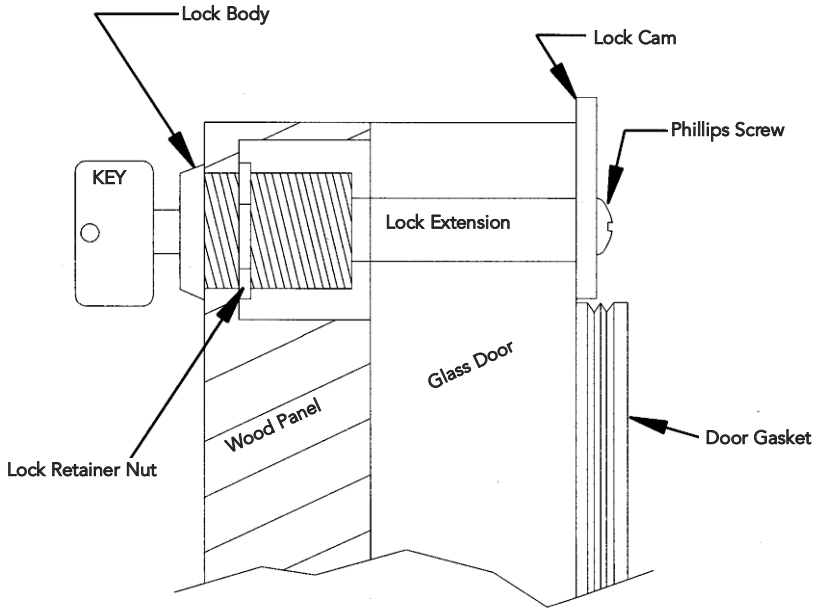


CAUTION

Door may not swing properly if all nylon components are not installed as shown.



Lock Installation Details



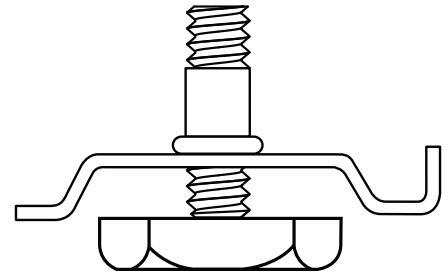
LEG LEVELER INSTALLATION

Read Before Installing Leg Levelers

⚠ WARNING

Do not lay unit on top, side, back, or front. If unit is accidentally laid in any position other than right side up, then the unit must remain in the upright position for at least 24 hours before plugging the unit in.

1. Four leveling legs are pre-installed in the base of the unit at the factory.
2. The unit should be leveled from front to back and side to side. If floor conditions do not allow the unit to sit level, adjust the leg levelers by turning the required leg leveler counter-clockwise to increase the height and clockwise to reduce the height.



ELECTRICAL CONNECTION

⚠ WARNING

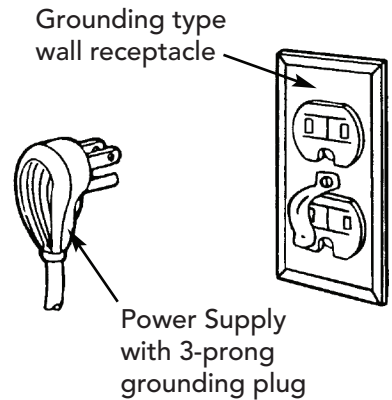
ELECTRICAL SHOCK HAZARD

Failure to follow these instructions could result in fire or electrical shock.

Electrical Requirements

A 115 volt, 60 Hz, AC only 15 amp fused electrical supply is required. (A time delay fuse or circuit breaker is recommended.) It is recommended that a separate circuit, serving only this appliance, be provided.

- **ELECTRICAL GROUND IS REQUIRED ON THIS APPLIANCE.**
- **DO NOT UNDER ANY CIRCUMSTANCES REMOVE THE POWER SUPPLY CORD GROUND PLUG.**
- **DO NOT USE AN EXTENSION CORD.**



Recommended Grounding Methods

For your personal safety, this refrigeration product must be grounded. This appliance is equipped with a 5' power supply cord having a 3-prong grounding plug. To minimize possible shock hazard, the cord must be plugged into a mating 3-prong grounding type wall receptacle grounded in accordance with the National Electrical Code and local codes and ordinances. If the circuit does not have a grounding type receptacle, it is the responsibility and obligation of the customer to exchange the existing receptacle in accordance with the National Electrical Code and applicable local codes and ordinances. The third ground plug **SHOULD NOT**, under any circumstances, be cut or removed. All UL listed refrigerated products are equipped with this type of plug.

FINAL PREPARATION

1. Some stainless steel parts may have a plastic protective wrap which must be peeled off. The interior of the wine cellar should be washed thoroughly with hot, soapy water, rinsed and wiped dry to remove film residue and any installation dust or debris before being used. Solutions stronger than soap and water are rarely needed.
2. All stainless steel parts should be wiped with hot soapy water. If buildup occurs, do not use steel wool, abrasive cloths, cleaners, or powders. If it is necessary to scrape stainless steel to remove encrusted materials, soak with hot, wet cloths to loosen the material, then use a wood or nylon scraper. Do not use a metal knife, spatula, or any other metal tool to scrape stainless steel; scratches are almost impossible to remove.

LIGHT ASSEMBLY REPLACEMENT - 15" W. Models

⚠ DANGER

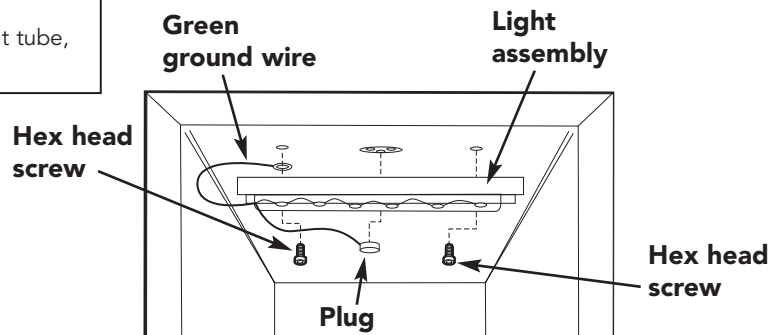
ELECTRICAL SHOCK HAZARD

Failure to to disconnect the power cord when changing the light tube, could result in fire or electrical shock.

NOTE: Please contact your local Viking Range Corporation parts distributor or dealer to order a new light assembly.

To replace the light, first disconnect the unit's power cord. Next, remove both the green ground wire screw located on the left of the light assembly and the other screw located on the right of the light assembly with a 5-16" hex head screwdriver. (See drawing). Unplug the light unit and remove complete light assembly.

To install the new light assembly, screw in the green ground wire screw and the screw located on the right with a 5/16" hex head screwdriver and plug the light unit in.



LIGHT TUBE REPLACEMENT - 24" W. Single Zone Models

! DANGER

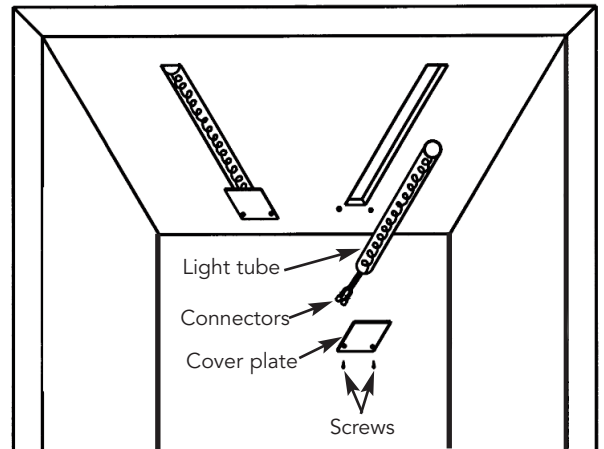
ELECTRICAL SHOCK HAZARD

Failure to disconnect the power cord when changing the light tube, could result in fire or electrical shock.

NOTE: Please contact your Viking Range Corporation parts distributor or dealer to order new light tubes. Use only approved replacement light tubes from your dealer or manufacturer.

This product uses two 6-watt light tubes to illuminate the interior of the wine cellar. The light tubes are very reliable electrical components, but should either or both light tubes not function properly, please call your local dealer for replacement light tubes. To replace the light tube:

- Use a small Phillips head screwdriver to remove the two screws holding the cover plate over the back section of the light tube. Set the screws and cover plate aside for re-assembly later.
- Using a small flat-blade screwdriver, gently lever the front section of the light tube down to allow it to be pulled clear of the light housing. Disconnect the two insulated electrical connectors from the cabinet's electrical cable and discard the old light tube.
- Reconnect the insulated electrical connector of the new light tube to the cabinet's electrical cable connectors. Make sure they are secure and fully inserted.
- Carefully realign the light tube's electrical terminals back into the rear of the light enclosure channel making sure not to crimp them. Gently insert the light tube along the length of the light enclosure channel. Press the light tube gently into the light enclosure channel. Only a small part of the light tube should project below the ceiling of the unit. **DO NOT USE A HAMMER TO FIT THE LIGHT TUBE.**
- Place the light tube terminal cover plate back in its original position on the light enclosure's flange. Re-use the original two screws to secure the cover in place. Plug the unit into the electrical socket. Check to see if the light tubes operate properly.



LIGHT TUBE REPLACEMENT - 24" W. Dual Zone Models

! DANGER

ELECTRICAL SHOCK HAZARD

Failure to disconnect the power cord when changing the light tube, could result in fire or electrical shock.

NOTE: Please contact your Viking Range Corporation parts distributor or dealer to order new light tubes. Use only approved replacement light tubes from your dealer or manufacturer.

This product uses two light tubes to illuminate the interior of the wine cellar. There is one light tube located behind the control housing in the upper compartment and one light tube attached to the underside of the cabinet divider in the lower compartment.

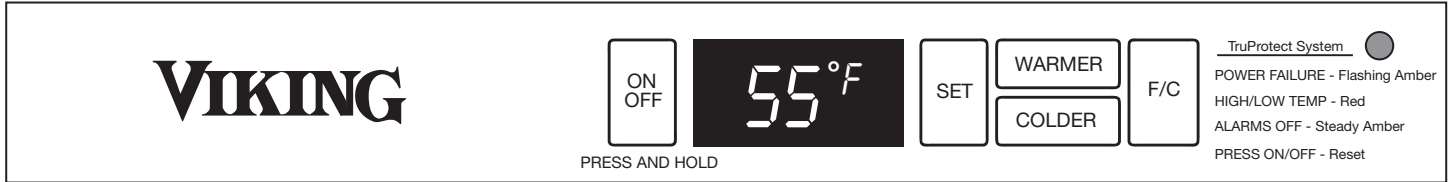
Use replacement instructions and drawing from the 15"W. Models for this Dual Zone product.





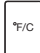





SETTING THE CONTROLS - SINGLE ZONE

The temperature of the wine cellar ranges from 40°F (4°C) to 65°F (18°C).

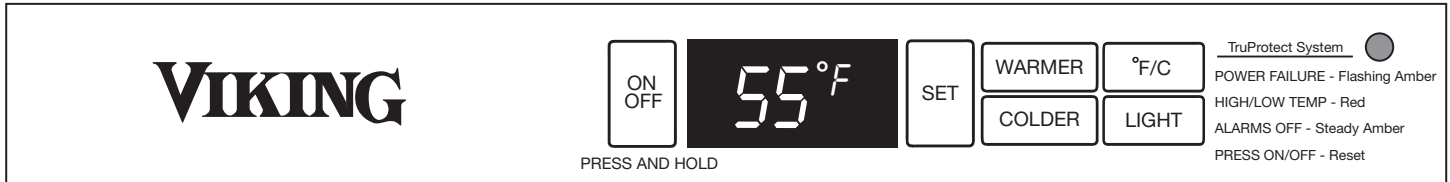
TruProtect™ "Basic" Function "Quick" Reference

Solid Door Single Zone Models:



Function	Function Access
Turn Unit On & Off	Pressing and holding the  key for 5-seconds will turn the unit "ON" or "OFF".
Adjust Temperature Set-Point	To adjust temperature set-point, touch  keypad and current set-point will be displayed. Use the  or  keypads to adjust set-point temperature.
Display "Actual" Temperature	Display represents "real-time" monitoring of the compartments stored wine and/or contents. Some temperature fluctuation around your desired set-point is normal.
Select °F or °C Display	Pressing the  keypad will toggle the display between Fahrenheit and Centigrade temperature display.
Black-Out Mode	Display automatically shuts off when door is closed.
Display Lighting	Display Lighting can be enabled with the door closed by pressing the  keypad.
Sabbath Mode	Press and hold the  keypad while pressing the  keypad four (4) times.
TruProtect™ System	System monitoring is automatically enabled unless system has been disabled. (See below.)
Door Ajar Alarm	N/A
High/Low Temp Alarm	<u>Note:</u> Alarm may occur when changing set-points in excess of 10°F, and/or high usage, this is normal.
Power Failure Alarm	<u>Note:</u> Alarm will occur upon initial installation, since unit was run at factory to verify quality, this is normal.
Reset Alarms	Close door to reset Door Ajar alarm. Press  keypad to reset all other alarms.
Disable/Enable TruProtect™	Press and hold the  keypad for 5-seconds to "disable" or "enable" TruProtect™ System.

Glass Door Single Zone Models:



Control Confirmation/Comment

Display will be blank when refrigeration system is off. Lights will still function, but will time-out 15 minutes after each activation, if door is left open or display lighting is on, to prevent overheating.

"Set" will appear in display when in set-point mode. "SET" mode will automatically time-out in 10 seconds if no keypad activity occurs, or you may exit "SET" mode by pressing the keypad a second time.

Temperature variation in "compartment air", above and below set-point, is a normal effect of refrigeration system cycling on and off. Stored items will not experience the full temperature swing of the compartment air due to the dampening effect of their thermal mass.

=

In addition, the control panel is hidden when door is closed.

Option available on Glass Door Models only.

Display will flash to confirm your selection, then unit will enter Sabbath Mode. The display, audible alarms, LED and lights will be disabled. Sabbath Mode will automatically time-out in 36 hours, or can be exited by repeating the enable keypad routine.

LED displays steady green when TruProtect™ is enabled.

Audible alarm will sound 3-times every 30-seconds, LED will flash green.

Alarm will sound 6-times every minute and LED will flash red if product temperature excursions occur for a duration outside acceptable limits.

LED will flash amber whenever power is interrupted to unit. No audible signal.

Note that although pressing the keypad will reset the alarms, the alarm will resume if the "alarm condition" still exists.

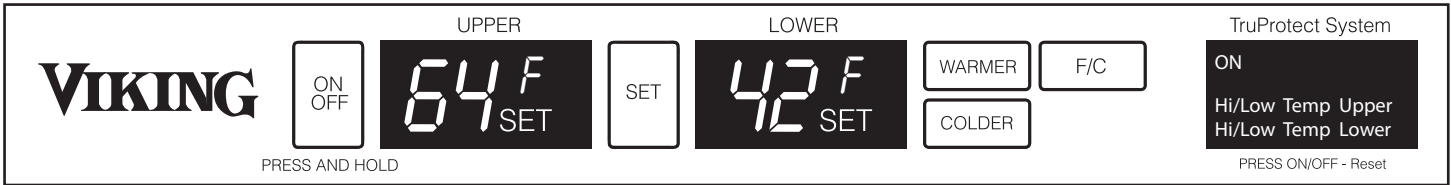
LED displays steady green when alarms enabled. LED displays steady amber when disabled.











SETTING THE CONTROLS - DUAL ZONE

The temperature of the wine cellar ranges from 40°F (4°C) to 65°F (18°C).

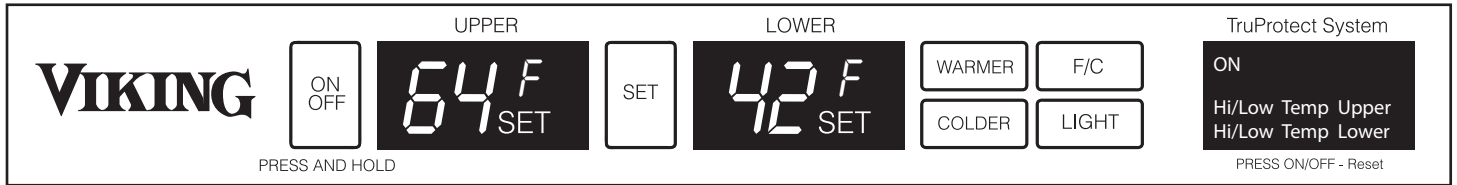
TruProtect™ "Basic" Function "Quick" Reference

Solid Door Dual Zone Models:




Function	Function Access
Turn Unit On & Off	Pressing and holding the  key for 5-seconds will turn the unit "ON" or "OFF".
Adjust Temperature Set-Point	To adjust temperature set-point, press the  key. When a compartment is in "SET" mode, a "SET" icon will be displayed. Pressing either the  or  keys located on the display pad will raise or lower the set temperature by one (1) °F or °C (depending on your setting).
Display "Actual" Temperature	Display represents "real-time" temperature of each compartment's stored wine and/or contents. Some minor temperature fluctuation around your desired set-point is normal.
Select °F or °C Display	Pressing the  key will toggle the display between Fahrenheit and Centigrade temperature display.
Black-Out Mode	Display automatically shuts off when the door is closed.
Display Lighting	Display lighting can be enabled with the door closed by pressing the  key.
Sabbath Mode	Press and hold the  key while pressing the  key four (4) times in seven (7) seconds.
TruProtect™ System	System monitoring is automatically enabled unless system has been shut off (see below).
Door Ajar Alarm	N/A
High/Low Temp Alarm	NOTE: This alarm may occur when changing set-points in excess of 10 °F, and/or high usage, this is normal.
Power Failure Alarm	NOTE: This alarm may occur upon initial installation since the unit was run at the factory to verify quality, this is normal.
Reset Alarms	Close door to reset "DOOR AJAR" Alarm. Press the  key to reset all other alarms.
Disable/Enable TruProtect™	Press and hold the  key for five (5) seconds to enable or disable the TruProtect™ System.

Glass Door Dual Zone Models:


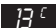


Control Confirmation/Comment

Display will be blank when the refrigeration system is off. Lights will still function, but will time-out in 15 minutes after each activation if door is left open or display lighting is on, to prevent overheating.


"SET" mode will automatically time-out in ten (10) seconds and default to actual content temperature if no keypad activity occurs, or you may exit "SET" mode by pressing the  key until "SET" icon disappears.

Temperature variation in "compartment" air, above and below set-point, is a normal effect of the refrigeration system cycling on and off. Stored items will not experience the full temperature swing of the compartment air due to the dampening effect of their thermal mass.

 = 

In addition, the control panel is hidden when the door is closed.

Display lighting stays on continuously.


The display will flash  to confirm your selection, then the unit will enter Sabbath Mode. The display, audible alarms, message center and lights will be disabled. Sabbath Mode will automatically time-out in 72 hours, or can be exited by repeating the enabling process.

TruProtect™ System message center displays a green "ON" when TruProtect™ is enabled and an amber "OFF" when TruProtect™ is disabled.

An audible alarm will sound 3 times every 30 seconds and the message center will display an amber "DOOR AJAR".

An audible alarm will sound 6 times every minute and the message center will display a red "HI/LOW TEMP UPPER" or a red "HI/LOW TEMP LOWER" if product temperature excursions occur for a duration outside acceptable limits.

The message center will display an amber "POWER FAILURE" whenever power is interrupted to the unit. There is no audible alarm with a power failure.

Although pressing the  key resets the alarms, the alarm will resume if the "alarm condition" still exists.

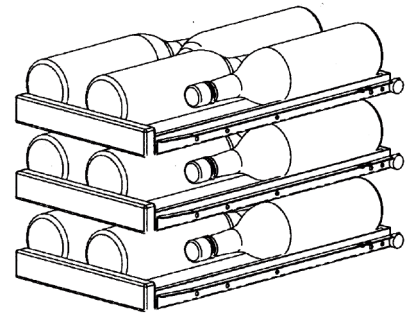
The message center displays a green "ON" when the alarms are enabled.

LOADING RECOMMENDATIONS - 15" W. Models

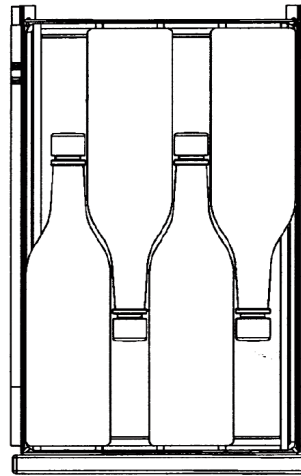
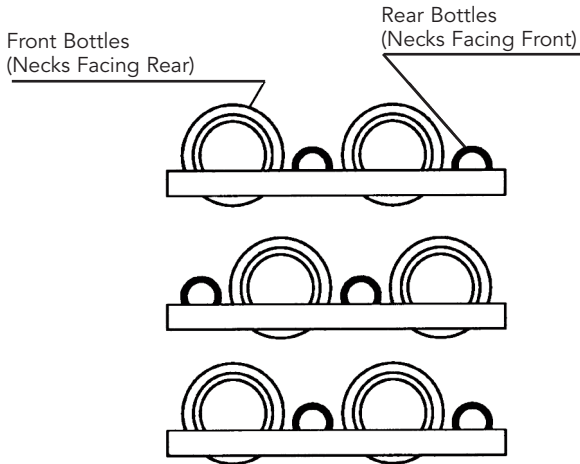
Each of the six roll-out racks hold four bottles. The necks of the bottles alternate front to back. To aid in loading/unloading, the racks extend up to 14 inches (35.6 cm) to allow easier access to the rear bottles. Bottom racks may be removed for storing "jug" wines. Magnums and other large bottles may be stored by removing the rack directly above the intended storage rack. To remove a rack, first unlock the rack by pushing the lock backward. The lock is located on the bottom front of each rack. After reinserting the rack, push the lock forward to lock the rack back into place.

Bottles on the top rack directly under the light will be exposed to slightly higher temperature when the light is on. Store red wines on the upper racks where the temperature is higher and white wines on the middle or lower racks where the temperature is lower. **REMEMBER TO TURN OFF THE LIGHT WHEN IT IS NO LONGER NEEDED.**

Store wines intended for everyday use on the front half of the racks where labels are completely visible and place wines for aging or long term storage in the rear half of the rack. Pull wine racks out gently to minimize the unsettling of your wine collection. Avoid pulling out more than one rack at any time to maintain stability.



Roll-out Racks



Since the bottles are not stacked on top of each other, the single bottle rack allows easy view and access to your inventory without disturbing other bottles

LOADING RECOMMENDATIONS - 24" W. Models

Each of the top five roll-out racks holds 8 bottles with necks alternating front to back. The bottom shelf holds four bottles for a total of 44 bottles. To aid in the loading and unloading, the racks extend up to 14 inches (35.6 cm) to allow easier access to rear bottles. Tall bottles should not be loaded on the bottom rack because they may prevent the door from closing. The bottom rack may be removed for storing "jug" wines. You may store magnum and other large bottles on the upper right and left positions of the cabinet shelving or on any of the middle racks by removing the rack directly above them. To remove a rack, first unlock the rack by pushing the lock backward. The lock is located on the bottom front of each rack. After reinserting the rack, push the lock forward to lock the rack back into place. Position white wines on the middle or lower racks and red wines on the upper racks.

Bottles on the top rack directly under the light will be exposed to a slightly higher temperature when the light is on. **REMEMBER TO TURN OFF THE LIGHT WHEN IT IS NO LONGER NEEDED.**

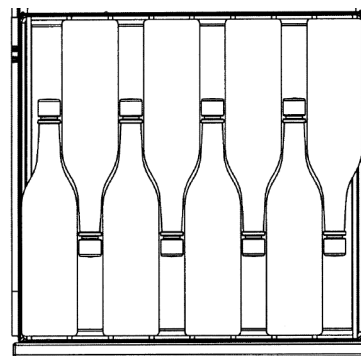
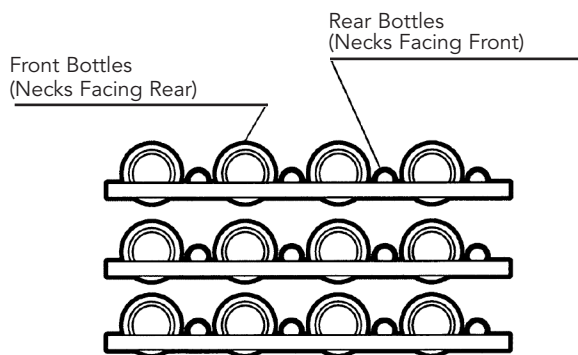
Store wines intended for everyday use on the front half of the racks where labels are completely visible and place wines for aging or long term storage in the rear half of the rack. Pull wine racks out gently to minimize the unsettling of your wine collection. Avoid pulling out more than one rack at any time to maintain stability.

LOADING RECOMMENDATIONS - 24" W. Single Zone Models

Each of the top six roll-out racks holds 8 bottles with necks alternating front to back. The bottom wood cradle holds six bottles for a total of 54 bottles. To aid in the loading and unloading, the racks extend up to 14 inches (35.6 cm) to allow easier access to rear bottles. Tall bottles should not be loaded on the bottom rack because they may prevent the door from closing. The bottom rack may be removed for storing "jug" wines. You may store magnum and other large bottles on the upper right and left positions of the cabinet shelving or on any of the middle racks by removing the rack directly above them. To remove a rack, first unlock the rack by pushing the lock backward. The lock is located on the bottom front of each rack. After reinserting the rack, push the lock forward to lock the rack back into place. Position white wines on the middle or lower racks and red wines on the upper racks.

Bottles on the top rack directly under the light will be exposed to a slightly higher temperature when the light is on. **REMEMBER TO TURN OFF THE LIGHT WHEN IT IS NO LONGER NEEDED.**

Store wines intended for everyday use on the front half of the racks where labels are completely visible and place wines for aging or long term storage in the rear half of the rack. Pull wine racks out gently to minimize the unsettling of your wine collection. Avoid pulling out more than one rack at any time to maintain stability.



Since the bottles are not stacked on top of each other, the single bottle roll-out rack allows easy view and access of your inventory without disturbing other bottles.

LOADING RECOMMENDATIONS - 24" W. Dual Zone Models

Both zones can be set for either temperature range, red or white, but for more efficient energy usage and functionality of the unit, it is better to use the top compartment for reds (warmer) and the bottom compartment for whites (cooler).

Each of the top five roll-out racks holds 8 bottles with necks alternating front to back. The bottom shelf holds four bottles for a total of 44 bottles. To aid in the loading and unloading, the racks extend up to 14 inches (35.6 cm) to allow easier access to rear bottles. Tall bottles should not be loaded on the bottom rack because they may prevent the door from closing. The bottom rack may be removed for storing "jug" wines. You may store magnum and other large bottles on the upper right and left positions of the cabinet shelving or on any of the middle racks by removing the rack directly above them. To remove a rack, first unload all wine bottles then pull the rack out and upward. Position white wines on the middle or lower racks and red wines on the upper racks.

Bottles on the top rack directly under the light and on the rack directly below the separator shelf will be exposed to a slightly higher temperature when the light is on. **REMEMBER TO TURN OFF THE LIGHT WHEN IT IS NO LONGER NEEDED.**

Store wines intended for everyday use on the front half of the racks where labels are completely visible and place wines for aging or long term storage in the rear half of the rack. Pull wine racks out gently to minimize the unsettling of your wine collection. Avoid pulling out more than one rack at any time to maintain stability.

CLEANING AND MAINTENANCE

Any piece of equipment works better and lasts longer when maintained properly and kept clean.

Condenser

The condenser tubing inside the cabinet does not require frequent cleaning; however, satisfactory cooling depends on adequate ventilation over the coils. Be sure that nothing obstructs the required air flow openings in front of the cabinet. Spiders and insects can nest in and around the wine cellar causing damage to the unit. Frequently brush or vacuum lint and dirt from the condenser coils for efficient performance by unscrewing the grill on the bottom front of cabinet.

Cabinet

The cabinet can be washed with mild soap and water and thoroughly rinsed with clear water. **NEVER** use abrasive scouring powders.

Interior

Wash interior compartment with mild soap and water. **DO NOT USE** abrasive powder, solvent, polish cleaner or undiluted detergent.

Stainless Steel Parts

All stainless steel parts should be wiped regularly with hot soapy water. Use a liquid cleaner designed for stainless steel when soapy water will not do the job. **DO NOT USE** steel wool, abrasive cloths, cleansers, or powders. **DO NOT** permit citrus or tomato juice to remain on stainless steel surfaces, as citric acid will permanently discolor stainless steel.

Brass Parts

CAUTION: All brass parts are coated with an epoxy coating. **DO NOT USE BRASS OR ABRASIVE CLEANERS ON THE BRASS PARTS.** All brass parts should be wiped regularly with hot soapy water. When hot soapy water will not do the job, use every day non-abrasive household cleaners.

Glass Door

Use a glass cleaner or mild soap and water with a soft cloth to clean the glass door. **DO NOT USE** any abrasive powders. On full overlay models, use caution when cleaning near logo area.

Painted Surfaces

Wash with warm soapy water. **DO NOT USE** steel wool, abrasive cleansers, ammonia, acids or commercial oven cleaners which may damage the finish.

Door Gasket

The vinyl gasket may be cleaned with mild soap and water, a baking soda and water solution, or a mild scouring powder.

ENERGY SAVING TIPS

- Reduce door openings.
- Close the door as soon as you can.
- Keep the condenser coils on bottom of the wine cellar clean. (See “Cleaning and Maintenance”.)
- Adjust the temperature control to a warmer setting when practical.
- Install unit away from the stove or other heat sources.

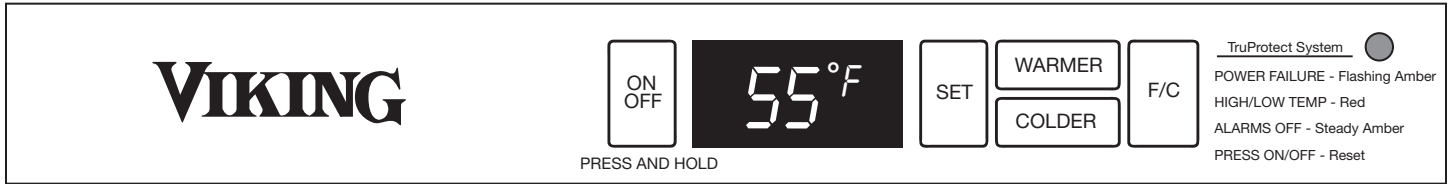
TROUBLESHOOTING CHART








Problem	Possible Cause	Solution
Odor in cabinet	•Unit interior needs cleaning.	•Clean inside of unit.
Noisy operation	•Unit not level.	•Adjust leveling legs.
Unit vibrates.	•Unit not level.	•Adjust leveling legs.
	•Weak floor.	•Rebuild floor or move to a different location.
Interior lighting not working.	•Light burned out.	•Replace light.
	•No power at outlet.	•Test outlet with lamp.
Appliance will not run.	•Control panel turned “OFF”.	•Turn unit on with on/off pad on control panel.
	•Power cord not plugged into power source	•Plug unit into power source
	•House fuse blown.	•Reset house fuse.
Appliance runs too long.	•Prolonged door openings.	•Reduce number and/or duration of openings.
	•Control panel set too cold.	•Raise temperature of unit via control panel.
	•Condenser needs cleaning.	•Clean condenser.
Moisture collects inside of unit.	•Too many door openings	•Reduce number of door openings.
	•Prolonged door openings.	•Reduce duration of door openings.
	•Hot, humid weather increases condensation.	•Move unit to cooler location. •As humidity decreases, moisture will disappear.
Moisture collects on outside surface of the unit.	•Hot, humid weather increases	•Move unit to a cooler location.
	•Control improperly set.	•Reset to slightly warmer temperature.
Interior too hot/too cold	•Control improperly set.	•Reset control to desired temperature.

SERVICE DIAGNOSTICS - SINGLE ZONE

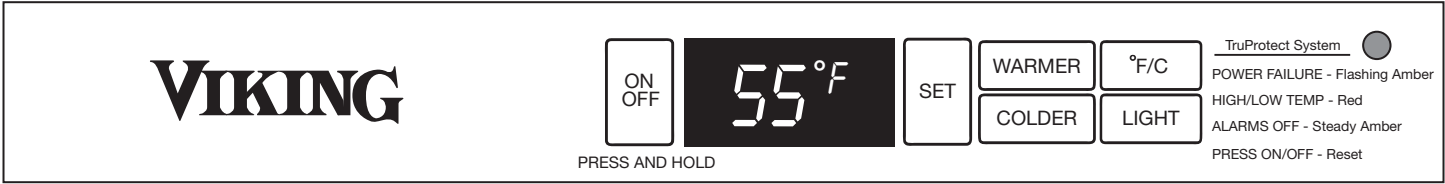
TruProtect™ “Advanced” Function “Quick” Reference

Solid Door Single Zone Models:



Function	Function Access
Show Room Mode	<p>Enable the Show Room Mode by pressing and holding the  keypad while performing a “Power On Reset”, (POR), i.e. - disconnect and reconnect the power supply to unit. Exit Show Room Mode by initiating a POR only.</p>
Service Diagnostics	<p>“Enter” and “Exit” Service Diagnostics mode by pressing and holding the  keypad while pressing the  keypad 4-times within 5-seconds. Service Diagnostics mode also will automatically exit after 5-minutes of no keypad entry.</p> <p><u>Display Error Code Reference:</u></p> <p>The microprocessor in the control continually monitors critical refrigeration system components for proper operation. If component parameters exceed normal operating specifications, the display will automatically flash the respective error code as follows:</p> <ul style="list-style-type: none">  ⇨ Compressor fault, (high/low amps).  ⇨ Condenser fan motor fault, (high/low amps).  ⇨ Evaporator thermistor “sensor B” fault, (out-of-range).  ⇨ Display thermistor “sensor A” fault, (out-of-range). <p>Please call your dealer or Viking Customer Service if any of these codes are displayed.</p>

Glass Door Single Zone Models:



Control Confirmation/Comment

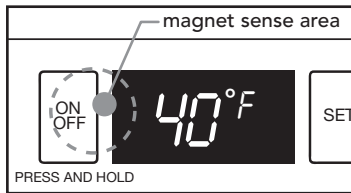
Show Room Mode will disable the refrigerator system and fans while allowing the internal lights, display and user interface panel to function. Lights will time out after 15-minutes of continuous on-time while in Show Room Mode as a safety feature. The 15-minute light-on time can be reactivated by closing and opening the door or by pressing the keypad. LIGHT

Service Diagnostics Mode enables service technicians to identify the firmware and software versions, test status of “model specific” system components and sensors and change state of components where applicable, (i.e. - compressor on/off, etc...). While in Service Diagnostics Mode, tests are incremented by pressing the SET keypad and specific component state can be changed to “on” and “off” by pressing the WARMER and COLDER keypads respectively. The following component tests are available:

Available Status Indicators

Test #	Component Description	OK	Off/Open	On/Shorted
0	Temp Sensor A	0-	00	01
1	Temp Sensor B	1-	10	11
2	Compressor	n/a	20	21
3	Interior/Ice Maker Fan	n/a	30	31
4	Reverse Gas Solenoid	n/a	40	41
5	Condenser Fan	n/a	50	51
6	Mullion Heater	n/a	60	61
7	Door A Sense	n/a	70	71
8	Door B Sense	n/a	80	81
9	Door C Sense	n/a	90	91

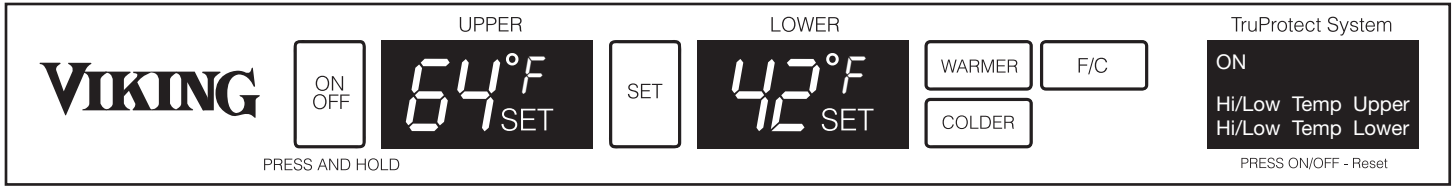
Note: Must use magnet to change state of Door C Sense.



SERVICE DIAGNOSTICS - DUAL ZONE

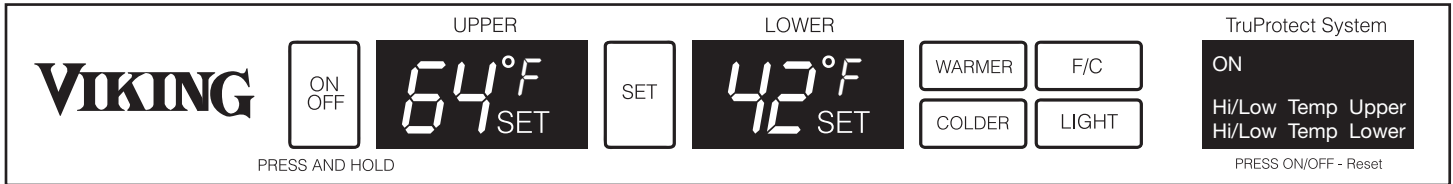
TruProtect™ “Advanced” Function “Quick” Reference

Solid Door Dual Zone Models:



Function	Function Access
Service Diagnostics	<p>To “Enter” and “Exit” Service Diagnostics mode, press and hold the WARMER keypad while pressing the COLDER keypad four (4) times in five (5) seconds. Service Diagnostics mode will automatically exit after five (5) minutes of no keypad entry.</p> <p><u>Display Error Code Reference:</u> The microprocessor in the control continually monitors critical refrigeration system components for proper operation. If component parameters exceed normal operating specifications, the display will automatically flash the respective error code as follows:</p> <ul style="list-style-type: none"> E1 ⇨ Compressor Error, (High/Low Amps) E2 ⇨ Condenser Fan Error, (High/Low Amps) E3 ⇨ Upper Compartment “Sensor A” Error, (Out-of-Range) E1 ⇨ Lower Compartment “Sensor B” Error, (Out-of-Range) <p>Please call your dealer or Viking Customer Service if any of these codes are displayed.</p>

Glass Door Dual Zone Models:



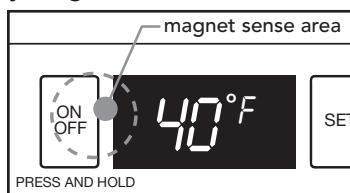
Control Confirmation/Comment

Service Diagnostics Mode enables service technicians to identify the firmware and software versions, test status of “model specific” system components and sensors and change state of components where applicable, (i.e. - compressor on/off, etc...). While in Service Diagnostics Mode, tests are incremented by pressing the **SET** keypad and specific component states can be changed to “ON” and “OFF” by pressing the **WARMER** and **COLDER** keypads respectively. The following component tests are available:

Available Status Indicators

Test #	Component Description	OK	Off/Open	On/Shorted
0	Temp Sensor, Upper	0-	00	01
1	Temp Sensor, Lower	1-	10	11
2	Compressor	n/a	20	21
3	Condenser Fan	n/a	30	31
4	Compartment Fan, Upper	n/a	40	41
5	Compartment Fan, Lower	n/a	50	51
6	Heater/Fan Assembly, Upper	n/a	60	61
7	Heater/Fan Assembly, Lower	n/a	70	71
8	Door Sense	n/a	80	81

NOTE: The Door Sense is located between the Upper Compartment display and the ON/OFF key and can be tested with any magnet.



SERVICE INFORMATION

If service is required, call your dealer or authorized service agency. The name of the authorized service agency can be obtained from the dealer or distributor in your area.

Have the following information readily available.

- Model number
- Serial number
- Date purchased
- Name of dealer from whom purchased

Clearly describe the problem that you are having. If you are unable to obtain the name of an authorized service agency, or if you continue to have service problems, contact Viking Range Corporation at 1-888-VIKING1 (845-4641), or write to:

**VIKING RANGE CORPORATION
PREFERRED SERVICE
1803 Hwy 82W
Greenwood, Mississippi 38930 USA**

Record the information indicated below. You will need it if service is ever required. The model and serial number for your wine cellar are located on the front of the unit at the base of the door frame.

Model Number _____ Serial Number _____

Date of Purchase _____ Date Installed _____

Dealer's Name _____

Address _____

If service requires installation of parts, use only authorized parts to insure protection under the warranty.

KEEP THIS MANUAL FOR FUTURE REFERENCE.

UNDERCOUNTER/FREESTANDING WINE CELLAR WARRANTY (Units Certified for Indoor Use)

TWO YEAR FULL WARRANTY

Built-In/Freestanding Undercounter Wine Cellars and all of their components and accessories, except as detailed below*, are warranted to be free from defects in material or workmanship under normal household use for a period of two (2) years from the date of original retail purchase. Viking Range Corporation, warrantor, agrees to repair or replace, at its option, any part which fails or is found to be defective during the warranty period.

*Painted and decorative items are warranted to be free from defective materials or workmanship for a period of ninety (90) days from the date of original retail purchase. ANY DEFECTS MUST BE REPORTED TO THE SELLING DEALER WITHIN NINETY (90) DAYS FROM DATE OF ORIGINAL RETAIL PURCHASE.

SIX YEAR FULL WARRANTY

Any sealed refrigeration system component, as listed below, is warranted to be free from defective materials or workmanship in normal household use during the third through the sixth year from the date of original retail purchase. Viking Range Corporation, warrantor, agrees to repair or replace, at its option, any part which fails or is found to be defective during the warranty period.

Sealed Refrigeration System Components:

Compressor, Evaporator,
Condenser, Connecting Tubing, Dryer/Strainer

TWELVE YEAR LIMITED WARRANTY

Any sealed refrigeration system component, as listed above, which fails due to defective materials or workmanship in normal household use during the seventh through the twelfth year from the date of original retail purchase will be repaired or replaced, free of charge for the part itself, with the owner paying all other costs, including labor.

NINETY (90) DAY RESIDENTIAL PLUS WARRANTY This warranty applies to applications where use of the product extends beyond normal residential use. Examples are, but not limited to, bed and breakfasts, fire stations, private clubs, churches, etc. This warranty excludes all commercial locations such as restaurants, food service locations and institutional food service locations.

This warranty extends to the original purchaser of the product warranted hereunder and to each transferee owner of the product during the term of the warranty.

This warranty shall apply to products purchased and located in the United States and Canada. Products must be purchased in the country where service is requested. Warranty labor shall be performed by an authorized Viking Range Corporation service agency or representative. Warranty shall not apply to damage resulting from abuse, accident, natural disaster, loss of electrical power to the product for any reason, alteration, improper installation, improper operation or repair or service to the product by anyone other than an authorized Viking Range Corporation service agency or representative. Warranty shall not apply to damage resulting from indoor units being used in outdoor situations. This warranty does not apply to commercial usage. Warrantor is not responsible for consequential or incidental damage whether arising out of breach of warranty, breach of contract, or otherwise. Some jurisdictions do not allow the exclusion or limitation of incidental or consequential damages, so the above limitation or exclusion may not apply to you.

Owner shall be responsible for proper installation, providing normal care and maintenance, providing proof of purchase upon request, and making the appliance reasonably accessible for service. If the product or one of its component parts contains a defect or malfunction during the warranty period, after a reasonable number of attempts by the warrantor to remedy the defects or malfunctions, the owner is entitled to either a refund or replacement of the product or its component part or parts. Replacement of a component part includes its free installation. Warrantor's liability on any claim of any kind, with respect to the goods or services covered hereunder, shall in no case exceed the price of the goods or service or part thereof which gives rise to the claim.

WARRANTY SERVICE: Under the terms of this warranty, service must be performed by a factory authorized Viking Range Corporation service agent or representative. Service will be provided during normal business hours, and labor performed at overtime or premium rates shall not be covered by this warranty. To obtain warranty service, contact the dealer from whom the product was purchased, an authorized Viking Range Corporation service agent, or Viking Range Corporation. Provide model and serial number and date of original purchase. For the name of your nearest authorized Viking Range Corporation service agency, call the dealer from whom the product was purchased or Viking Range Corporation. **IMPORTANT:** Retain proof of original purchase to establish warranty period.

The return of the Owner Registration Card is not a condition of warranty coverage. You, however, should return the Owner Registration Card so that Viking Range Corporation can contact you should any question of safety arise which could affect you.

Any implied warranties of merchantability and fitness applicable to the above described undercounter wine cellar are limited in duration to the period of coverage of the applicable express written limited warranties set forth above. Some jurisdictions do not allow limitations on how long an implied warranty lasts, so the above limitation may not apply to you. This warranty gives you specific rights, and you may also have other rights which may vary from jurisdiction to jurisdiction.

Specifications subject to change without notice.

UNDERCOUNTER/FREESTANDING WINE CELLAR WARRANTY (Units Certified for Outdoor Use)

ONE YEAR FULL WARRANTY

Built-In/Freestanding Undercounter Wine Cellars and all of their components and accessories, except as detailed below*, are warranted to be free from defects in material or workmanship under normal household use for a period of one (1) year from the date of original retail purchase. Viking Range Corporation, warrantor, agrees to repair or replace, at its option, any part which fails or is found to be defective during the warranty period.

*Painted and decorative items are warranted to be free from defective materials or workmanship for a period of ninety (90) days from the date of original retail purchase. ANY DEFECTS MUST BE REPORTED TO THE SELLING DEALER WITHIN NINETY (90) DAYS FROM DATE OF ORIGINAL RETAIL PURCHASE.

FIVE YEAR LIMITED WARRANTY

Any sealed refrigeration system component, as listed below, is warranted to be free from defective materials or workmanship in normal household use during the second through the fifth year from the date of original retail purchase. Viking Range Corporation, warrantor, agrees to repair or replace, at its option, any part which fails or is found to be defective during the warranty period.

Sealed Refrigeration System Components: Compressor, Evaporator, Condenser, Connecting Tubing, Dryer/Strainer

It is recommended that in temperatures above 100°F (37.8°C) and below 40°F (4.4°C) the unit be shut off. The normal operating range for the unit is between 60°F (15.6°F) and 100°F (37.8°C).

NINETY (90) DAY RESIDENTIAL PLUS WARRANTY This warranty applies to applications where use of the product extends beyond normal residential use. Examples are, but not limited to, bed and breakfasts, fire stations, private clubs, churches, etc. This warranty excludes all commercial locations such as restaurants, food service locations and institutional food service locations.

This warranty extends to the original purchaser of the product warranted hereunder and to each transferee owner of the product during the term of the warranty.

This warranty shall apply to products purchased and located in the United States and Canada. Products must be purchased in the country where service is requested. Warranty labor shall be performed by an authorized Viking Range Corporation service agency or representative. Warranty shall not apply to damage resulting from abuse, accident, natural disaster, loss of electrical power to the product for any reason, alteration, improper installation, improper operation or repair or service to the product by anyone other than an authorized Viking Range Corporation service agency or representative. Warranty shall not apply to damage resulting from indoor units being used in outdoor situations. This warranty does not apply to commercial usage. Warrantor is not responsible for consequential or incidental damage whether arising out of breach of warranty, breach of contract, or otherwise. Some jurisdictions do not allow the exclusion or limitation of incidental or consequential damages, so the above limitation or exclusion may not apply to you.

Owner shall be responsible for proper installation, providing normal care and maintenance, providing proof of purchase upon request, and making the appliance reasonably accessible for service. If the product or one of its component parts contains a defect or malfunction during the warranty period, after a reasonable number of attempts by the warrantor to remedy the defects or malfunctions, the owner is entitled to either a refund or replacement of the product or its component part or parts. Replacement of a component part includes its free installation. Warrantor's liability on any claim of any kind, with respect to the goods or services covered hereunder, shall in no case exceed the price of the goods or service or part thereof which gives rise to the claim.

WARRANTY SERVICE: Under the terms of this warranty, service must be performed by a factory authorized Viking Range Corporation service agent or representative. Service will be provided during normal business hours, and labor performed at overtime or premium rates shall not be covered by this warranty. To obtain warranty service, contact the dealer from whom the product was purchased, an authorized Viking Range Corporation service agent, or Viking Range Corporation. Provide model and serial number and date of original purchase. For the name of your nearest authorized Viking Range Corporation service agency, call the dealer from whom the product was purchased or Viking Range Corporation. **IMPORTANT:** Retain proof of original purchase to establish warranty period.

The return of the Owner Registration Card is not a condition of warranty coverage. You, however, should return the Owner Registration Card so that Viking Range Corporation can contact you should any question of safety arise which could affect you.

Any implied warranties of merchantability and fitness applicable to the above described undercounter refrigerated beverage center are limited in duration to the period of coverage of the applicable express written limited warranties set forth above. Some jurisdictions do not allow limitations on how long an implied warranty lasts, so the above limitation may not apply to you. This warranty gives you specific rights, and you may also have other rights which may vary from jurisdiction to jurisdiction.

Specifications subject to change without notice.



Viking Range Corporation

111 Front Street

Greenwood, Mississippi 38930 USA

(662) 455-1200

For product information,

call 1-888-VIKING1 (845-4641)

or visit the Viking Web site at

vikingrange.com

