



REFRIGERATION

Freestanding 36"W. French-Door Bottom-Mount Refrigerator/Freezer



Standard Features & Accessories

Models include

- Total capacity—19.6 cu. ft. (545.7 L)
- 72"H./24"D.
- "Cabinet depth" design (24"D. side panels) integrates with surrounding cabinetry—fit for replacement of most existing appliances
- Electronic controls with digital readouts maintain the temperature selection
- Frost-free refrigerator
 - o Capacity—14.1 cu. ft. (399 lit.)
 - o Four slide-out adjustable tempered glass spillproof shelves
 - o One stationary glass shelf
 - o Temperature adjustable Meat Savor™/produce drawer
 - o Two moisture adjustable see-through produce drawers
- o In-the-door dairy compartment with cover
- o Five large door bins (two bins store gallon containers)
- o Internal filtered water dispensing
- o Water filter indicator light (illuminates when filter needs to be replaced)
- o See-through egg bin with carrier holds up to 24 eggs
- o Glass butter tray with cover
- Frost-free freezer
 - o Capacity—5.5 cu. ft. (156 lit.)
 - o Adaptive defrost
 - o Factory-installed automatic ice maker
 - o Two slide-out baskets
 - o Max ice feature
- Open door alarm sounds to warn that door has been ajar for five minutes
- High temperature alarm
- Gray exterior cabinet (VCFF)

Model Options



VCFF136*
Professional



DDFF036*
Designer

FINISH DETAILS FOR BOTH MODELS

- Stainless Steel (SS)
- Finish code designates door fronts. Black cabinet sides and top.

*Shown throughout with top grille kits. See **Installation Notes & Accessories** for details.





REFRIGERATION



Freestanding 36"W. French-Door Bottom-Mount Refrigerator/Freezer

★ Please see Installation Notes & Accessories for important information, including water filter, handle, trim and top grille kits.

Dimensions & Specifications

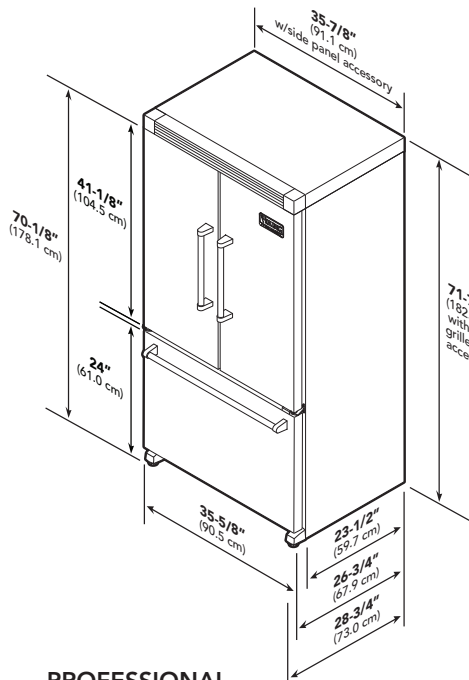
PRODUCT DIMENSIONS



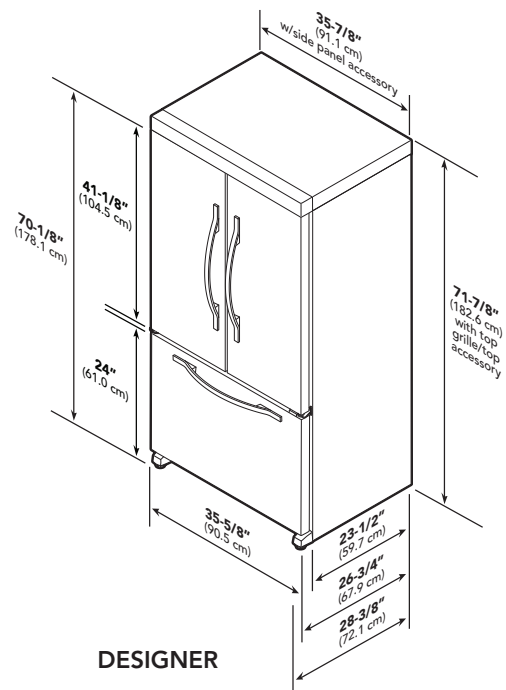
VCF136
Professional



DDF036
Designer



PROFESSIONAL



DESIGNER

	VCF136	DDF036
Overall width	35-5/8" (90.5 cm)	
Addition of side panels	35-7/8" (91.1 cm)	
Overall height (from bottom)	70-1/8" (178.1 cm)	
Addition of tops/grilles	71-7/8" (182.6 cm)	
Overall depth (from rear)		
To front of door	23-1/2" (59.7 cm)	
To front of handle	26-3/4" (67.9 cm)	28-3/8" (72.1 cm)
Approx. ship weight	327 lbs. (148.7 kg)	





VIKING
DESIGNER

REFRIGERATION

Freestanding 36"W. French-Door Bottom-Mount Refrigerator/Freezer



Dimensions & Specifications

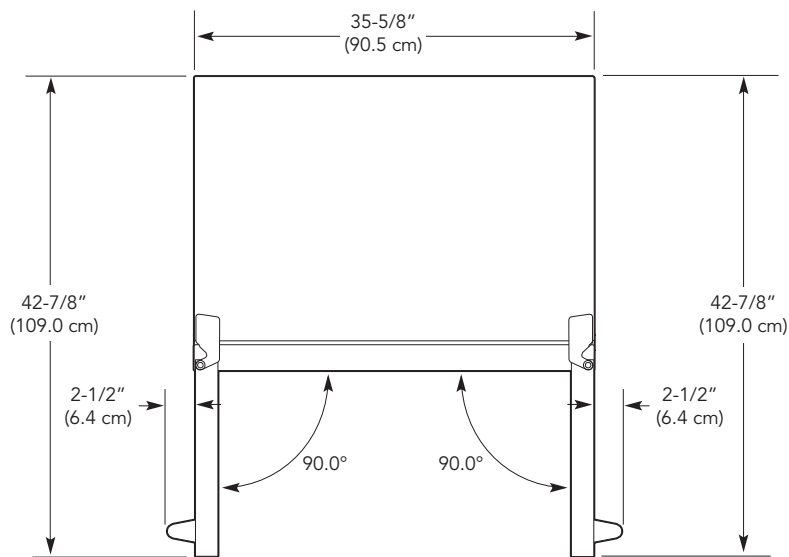
DOOR SWING



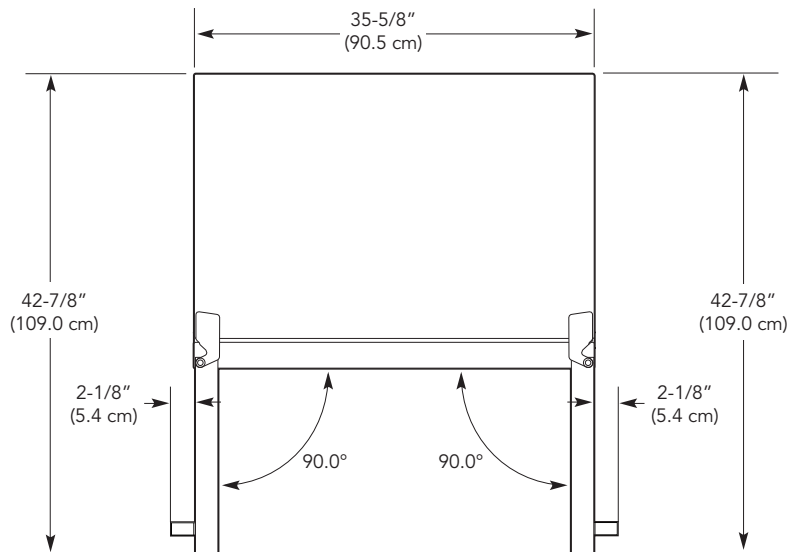
VCFF136
Professional



DDFF036
Designer



PROFESSIONAL



DESIGNER





UTILITY REQUIREMENTS



GAS
Not applicable



ELECTRICAL

- Three-wire cord with grounded three-prong plug attached to product. Do not use an extension cord or adapter plug for a two-prong receptacle—call a qualified electrical installer.
 - o 115V/60 Hz; 15 amp dedicated circuit
 - o Maximum amp usage—7.9
 - o Estimated energy usage—451 kWh/year



PLUMBING

- Inlet waterline requirements—1/4" copper tubing
 - o 35 psi min.;
 - o 100 psi max.

Installation Requirements

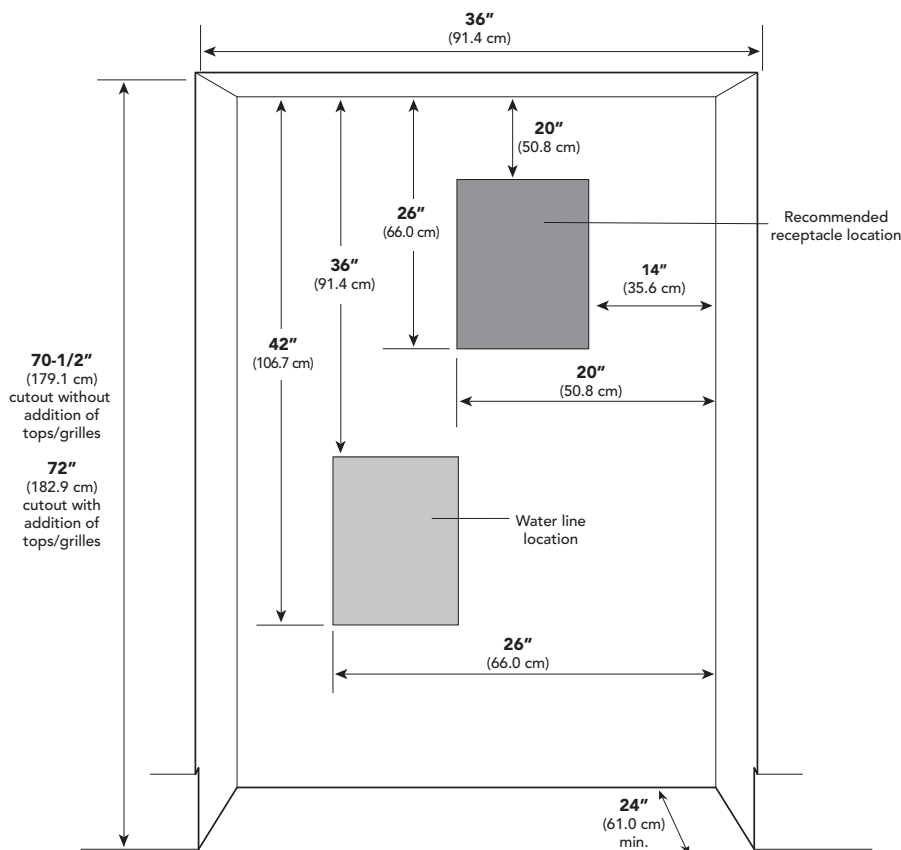
ACCESS REQUIREMENTS



VCFF136
Professional



DDFF036
Designer



When installing into a cutout, the edge of the door must be 2-7/8" (7.3 cm) from the adjacent countertop cabinet.

Allow 1/2" (1.3 cm) space at top and 1/2" (1.3 cm) behind the machine compartment cover (located in the rear) for proper air circulation. Sub-flooring or floor coverings (i.e. carpet, tile, wood floors, rugs) may make your opening smaller than anticipated. Some clearance may be gained by using the leveling procedure under **Leveling** in the Installation Guide.

All models	
Cutout width	36" (91.4 cm)
Cutout height	70-1/2" (179.0 cm)
Addition of tops/grilles	72" (182.9 cm)
Cutout depth	24" (61.0 cm)



REFRIGERATION

Freestanding 36"W. French-Door Bottom-Mount Refrigerator/Freezer



★ Installation Notes & Accessories

Side Trim Kit

- Stainless Steel finish
- Provides "built-in" look when used with a top grille kit

Model	Description	Approx. ship wt. lbs. (kg)
FRSTKF	French door bottom-mount side trim kit	13 (5.9)

Top Grille Kits

- Stainless Steel finish
- Provides "built-in" look when used with a side trim kit; provides "wrapped" look when used with side panel and top kits

Model	Description	Approx. ship wt. lbs. (kg)
PFRGKFS	Professional french door bottom-mount grille kit	10 (4.5)
DFRGKFS	Designer french door bottom-mount grille kit	10 (4.5)

Side Panel Kit

- Stainless Steel finish
- Provides "wrapped" look when used with top grille and top kits
- Side panel kits include panels for both sides

Model	Description	Approx. ship wt. lbs. (kg)
FRSPKF	French door bottom-mount side panel kit	60 (27.0)

Top Kit

- Stainless steel finish
- Provides "wrapped" look when used with side panel and top grille kits

Model	Description	Approx. ship wt. lbs. (kg)
FRTOP	French door bottom-mount top kit	19 (8.6)

Replacement Water Filter

- Replaces water filter cartridges supplied with freestanding refrigerator/freezers
- Reduces sediment, bad taste and odor
- Reduces cysts, particulates, turbidity, lead, chlorine, atrazine and lindane
- NSF certified
- Ready to install—no assembly required

Model	Description	Approx. ship wt. lbs. (kg)
RWF-FR	Replacement water filter	5 (2.3)

Brass Handle Kits

- Replaces handles supplied with unit for brass trim
- French door kits include three handles

Model	Description	Approx. ship wt. lbs. (kg)
PFRHKFBR	Professional french door handle kit	15 (6.8)
DFRHKFBR	Designer french door handle kit	15 (6.8)

Compliance Information



WARRANTY SUMMARY*

- Two-year full warranty—complete unit
- Six-year full warranty—sealed refrigeration system (includes compressor, condenser, dryer/strainer, evaporator, and connecting tubing)
- Twelve-year limited warranty—sealed refrigeration system
- Ninety-day limited warranty—cosmetic parts such as glass, painted items, and decorative items

*For complete warranty see *Use & Care Guide*. Warranty valid on Viking products shipped within the United States and Canada.

