

# Viking Installation Guide



Viking Range Corporation

111 Front Street

Greenwood, Mississippi 38930 USA

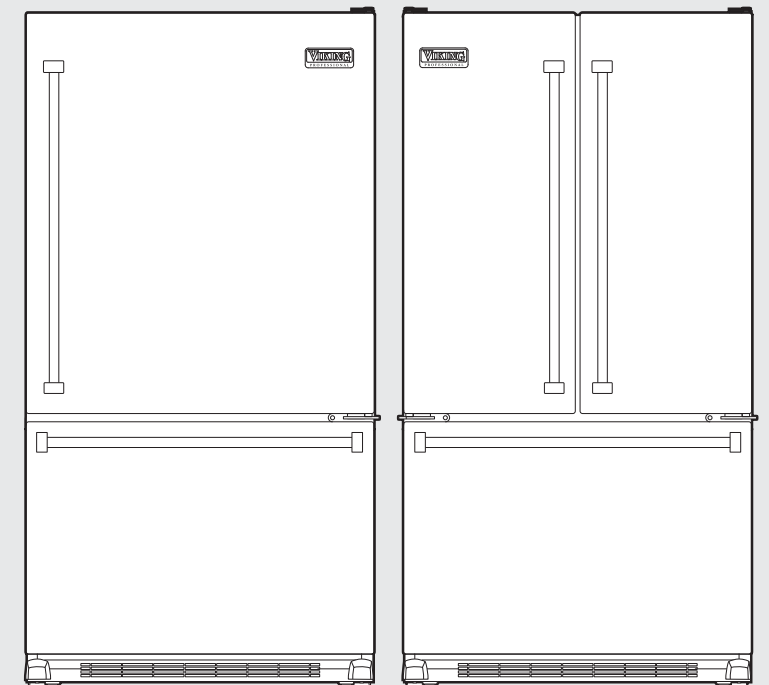
(662) 455-1200

For product information,

call 1-888-VIKING1 (845-4641)

or visit the Viking Web site at

[vikingrange.com](http://vikingrange.com)



Freestanding Bottom-Mount/  
French Door Bottom-Mount  
Refrigerator/Freezer



(052709J)

# Table of Contents

Warnings & Important Information _____	3
Professional	
Dimensions (36" Bottom-Mount & French Door Bottom-Mount) _____	6
Specifications (36" Bottom-Mount & French Door Bottom-Mount) _____	7
Designer	
Dimensions (36" French Door Bottom-Mount) _____	8
Specifications (36" French Door Bottom-Mount) _____	9
Water Line & Electrical Location _____	10
Important Safety Instructions _____	11
Proper Disposal _____	12
General Information _____	13
Unpacking & Moving _____	13
Water Supply Requirements _____	14
Door & Drawer Removal	
Bottom-Mount (Door) _____	16
French Door Bottom-Mount (Door) _____	17
Bottom-Mount (Drawer) _____	19
Door & Drawer Reinstallation	
Bottom-Mount (Door) _____	20
French Door Bottom-Mount (Door) _____	21
Bottom-Mount (Drawer) _____	22
Installation	
Connect to Water Supply _____	23
Leveling _____	25
Door Alignment _____	26
Complete the Installation _____	26
Water Filter _____	27
Performance Checklist _____	28
Service & Registration _____	29

# IMPORTANT—Please Read and Follow!

It is the customer's responsibility to:

- Contact a qualified electrical installer.
- Read all instructions before using the refrigerator.
- Observe all local codes and ordinances. Install refrigerator according to installation instructions. All connections for water, electrical power and grounding must comply with local codes and be made by licensed personnel when required.
- Do not modify plug on power cord. If plug does not fit electrical outlet, have proper outlet installed by a qualified technician. Replace worn power cords and/or loose plugs.
- Assure that the electrical installation is adequate and in conformance with the National Electrical Code, ANSI/NFPA 70-latest edition or Canadian Electrical Code C22.1-1998 and C22.2 No. 0-M91 (or latest edition), and all local codes and ordinances. (115 volt, 60-Hz, 15 amp, fused, electrical supply is required. It is required that a separate circuit serving only this appliance be provided. This appliance is equipped with a power supply cord having a 3-prong grounding plug. To minimize possible shock hazard, the cord must be plugged into a mating 3-prong, grounding type wall receptacle. If a 2-prong receptacle is encountered, the customer must contact a qualified electrical installer to have it replaced with a properly grounded 3-prong receptacle. **Do not use an extension cord or adapter plug.**)
- Do not ground to a gas line or cold-water pipe.
- Do not remove warning tag from power cord.
- Refrigerator is designed to operate on a separate 115 volt, 15 amp., 60 cycle line.
- Do not tamper with refrigerator controls.
- Do not service or replace any part of refrigerator unless specifically recommended in Use & Care or Installation Instructions. Do not attempt service if instructions are not understood or if they are beyond personal skill level.
- Always disconnect refrigerator from electrical supply before attempting to change light bulbs, clean, or service the refrigerator. Disconnect the power cord by grasping the plug, not the cord.
- Always read and follow manufacturer's storage and ideal environment instructions for items being stored in refrigerator.
- Never allow children to operate, play with, crawl inside or stand on any part of the refrigerator.
- Never clean refrigerator parts with flammable fluids. The fumes can create a fire hazard or explosion.
- Clean up spills or water leakage associated with water installation.
- Keep your refrigerator in good condition. Bumping or dropping refrigerator can damage refrigerator or cause refrigerator to malfunction or leak. If damage occurs, have refrigerator checked by qualified service technician.

# IMPORTANT—Please Read and Follow!

**Your safety and the safety of others is very important.**

We have provided many important safety messages in this manual and on your appliance. Always read and obey all safety messages.

 This is the safety alert symbol. This symbol alerts you to hazards that can kill or hurt you and others.

All safety messages will be preceded by the safety alert symbol and the word "DANGER" or "WARNING". These words mean:

**⚠ DANGER**

**You can be killed or seriously injured if you don't immediately follow instructions.**

**⚠ WARNING**

**You can be killed or seriously injured if you don't follow instructions.**

All safety messages will tell you what the potential hazard is, tell you how to reduce the chance of injury, and tell you what can happen if the instructions are not followed.

**A GFI shall be used if required by NFPA-70 (National Electric Code), federal/state/local laws, or local ordinances.**

- The required use of a GFI is normally related to the location of a receptacle with respect to any significant sources of water or moisture.
- Viking Range Corporation will NOT warranty any problems resulting from GFI outlets which are not installed properly or do not meet the requirements below.

**If the use of a GFI is required**, it should be:

- Of the receptacle type (breaker type or portable type NOT recommended)
- Used with permanent wiring only (temporary or portable wiring NOT recommended)
- On a dedicated circuit (no other receptacles, switches or loads in the circuit)
- Connected to a standard breaker of appropriate size (GFI breaker of the same size NOT recommended)
- Rated for Class A (5 mA +/- 1 mA trip current) as per UL 943 standard)
- In good condition and free from any loose-fitting gaskets (if applicable in outdoor situations)
- Protected from moisture (water, steam, high humidity) as much as reasonably possible

**⚠ WARNING**

**Suffocation Hazard**

**Remove doors from your old refrigerator.**

**Failure to do so can result in death or brain damage.**

**⚠ WARNING**


**Excessive Weight Hazard**

**Use two or more people to move and install refrigerator.**

**Failure to do so can result in back or other injury.**

# IMPORTANT—Please Read and Follow!

**⚠ WARNING**




**Explosion Hazard**

**Keep flammable materials and vapors, such as gasoline, away from refrigerator.**

**Failure to do so can result in death, explosion, or fire.**

**⚠ WARNING**



**Electrical Shock Hazard**

**Plug into a grounded 3 prong outlet.**


**Do not remove ground prong.**

**Do not use an adapter.**

**Do not use an extension cord.**

**Failure to follow these instructions can result in death, fire, or electrical shock.**

**⚠ WARNING**



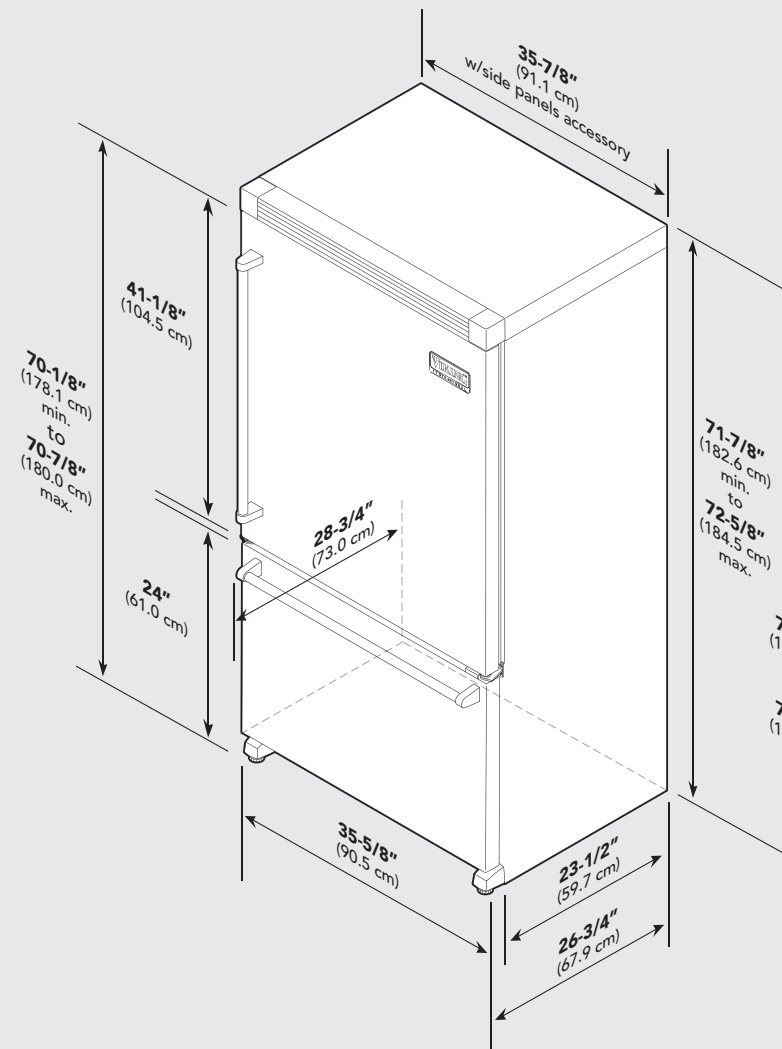
**Electrical Shock Hazard**

**Disconnect power before removing doors.**

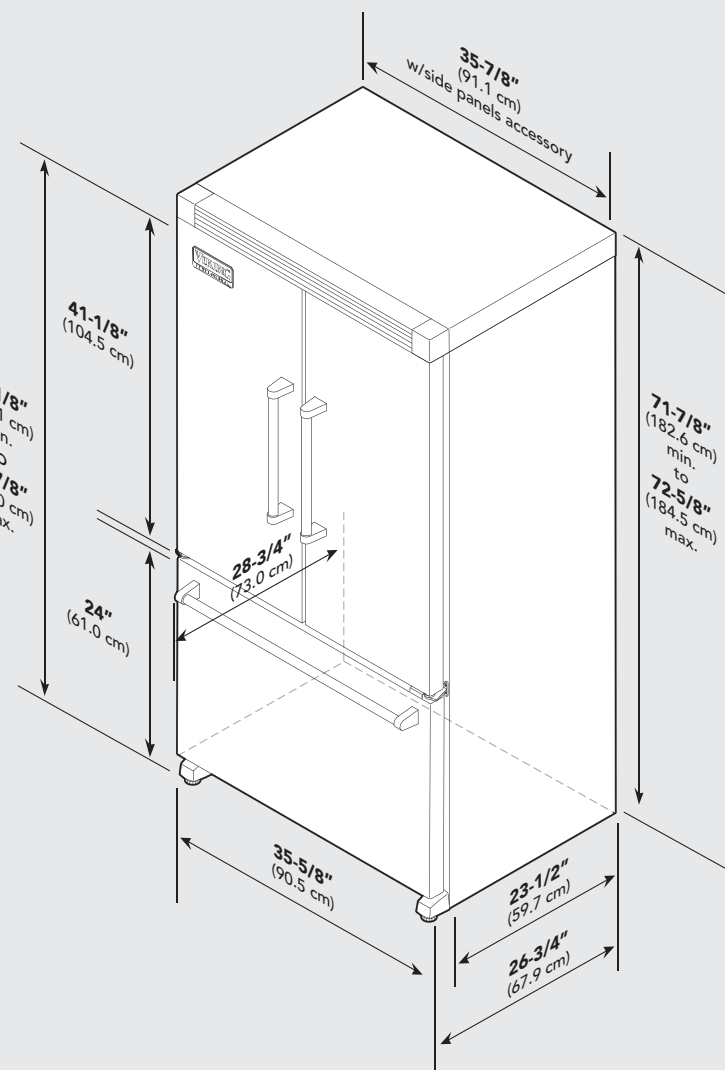
**Failure to do so can result in death or electrical shock.**

## Dimensions (Professional Bottom-Mount)

36" Professional



36" Professional French Door

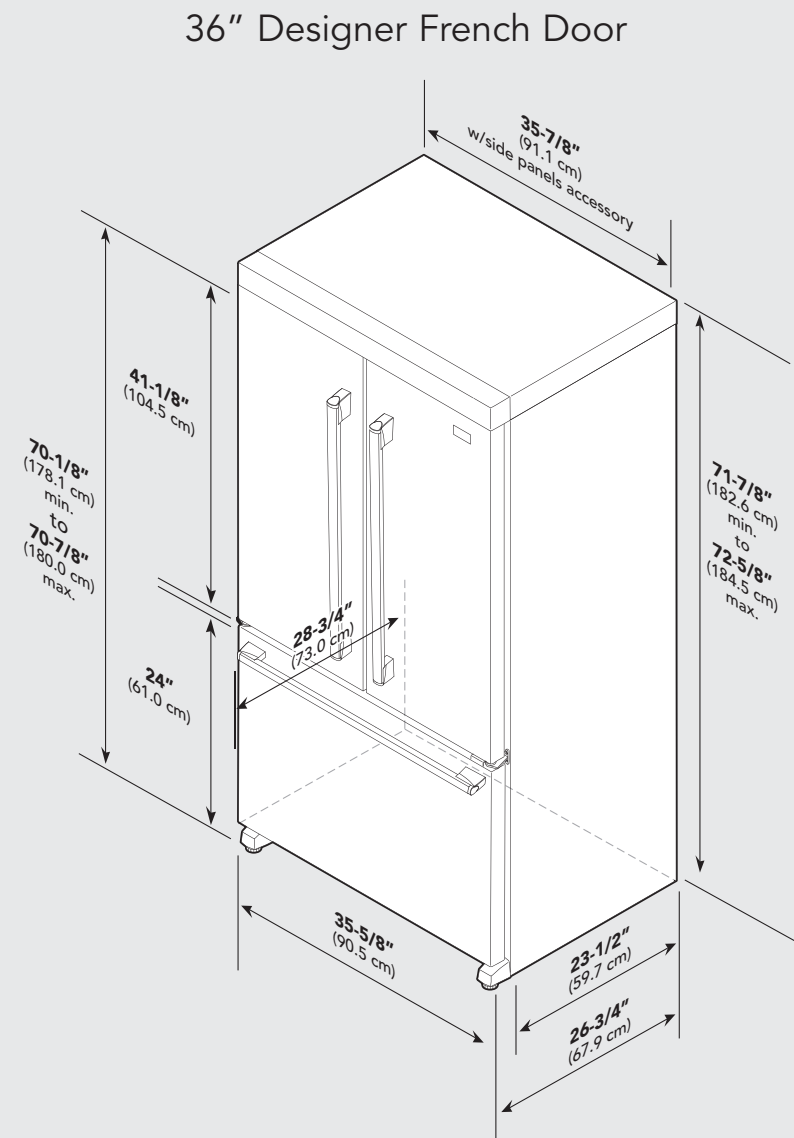


## Specifications (Professional Bottom-Mount)

36" Bottom-Mount		
Description	VCBF136	VCFF136
Overall width	35-5/8" (90.5 cm) Addition of side panels: 35-7/8" (91.1 cm)	
Overall height	70-1/8" (178.1 cm) min. to 70-7/8" (180.0 cm) max. Addition of top grilles: 71-7/8" (182.6 cm) min. to 72-5/8" (184.5 cm) max.	
Overall depth from rear	To front edge of side trim: 23-1/2" (59.7 cm) To front edge of top grille: 26-3/4" (67.9 cm) To front of handle endcap: 28-3/4" (73.0 cm)	
Cutout height	70-1/2" (179.0 cm) Addition of top grilles: 72" (182.9 cm)	
Cutout width	36" (91.4 cm)	
Cutout depth	24" (61.0 cm)	
Electrical requirements	115 volt, 60 Hz, 15 amp dedicated circuit; 3-wire cord with grounded 3-prong plug attached to product	
Maximum amp usage	7.9 amps	
Inlet water requirements	1/4" copper tubing inlet waterline; minimum 35 psi; maximum 120 psi	
Overall interior capacities	Bottom-Mount	French Door Bottom-Mount
Refrigerator	14.4 cu. ft. (407 liters)	14.1 cu. ft. (399 liters)
Freezer	5.5 cu. ft. (156 liters)	5.5 cu. ft. (156 liters)
Total capacity	19.9 cu. ft. (563 liters)	19.6 cu. ft. (555 liters)
Approximate shipping weight	327 lbs. (148.7 kg)	

**NOTE:** When installing into a cutout, the edge of the door must be 2-7/8" (7.3 cm) from the adjacent countertop/cabinet.

## Dimensions (Designer Bottom-Mount)

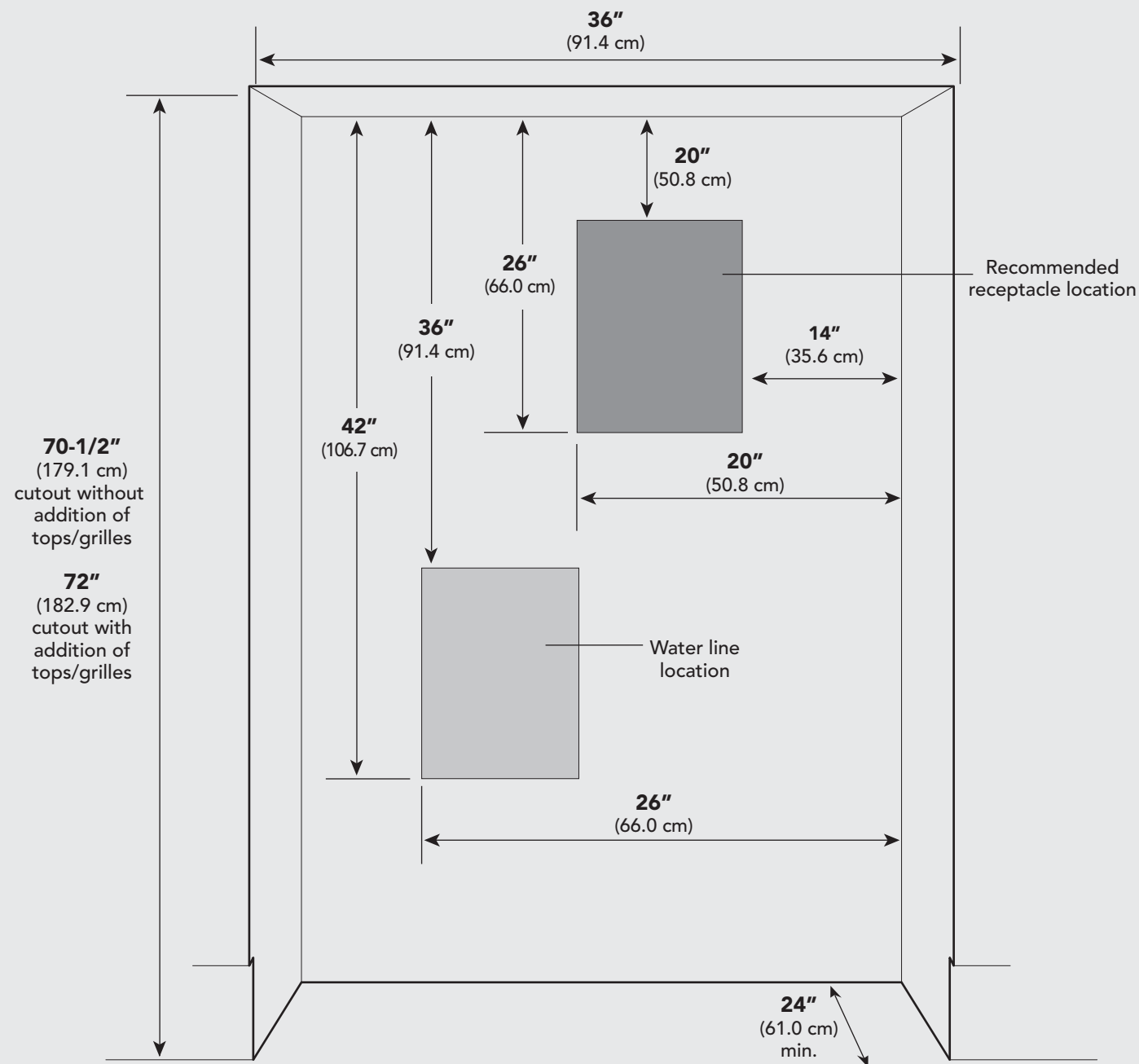


## Specifications (Designer Bottom-Mount)

36" French Door Bottom-Mount	
Description	DFFF136
Overall width	Addition of side panels: 35-5/8" (90.5 cm) 35-7/8" (91.1 cm)
Overall height	Addition of top grilles: 70-1/8" (178.1 cm) min. to 70-7/8" (180.0 cm) max. 71-7/8" (182.6 cm) min. to 72-5/8" (184.5 cm) max.
Overall depth from rear	To front edge of side trim: 23-1/2" (59.7 cm) To front edge of top grille: 26-3/4" (67.9 cm) To front of handle endcap: 28-3/4" (73.0 cm)
Cutout height	Addition of top grilles: 70-1/2" (179.0 cm) 72" (182.9 cm)
Cutout width	36" (91.4 cm)
Cutout depth	24" (61.0 cm)
Electrical requirements	115 volt, 60 Hz, 15 amp dedicated circuit; 3-wire cord with grounded 3-prong plug attached to product
Maximum amp usage	7.9 amps
Inlet water requirements	1/4" copper tubing inlet waterline; minimum 35 psi; maximum 120 psi
Overall interior capacities	French Door Bottom-Mount
Refrigerator	14.1 cu. ft. (399 liters)
Freezer	5.5 cu. ft. (156 liters)
Total capacity	19.6 cu. ft. (555 liters)
Approximate shipping weight	327 lbs. (148.7 kg)

**NOTE:** When installing into a cutout, the edge of the door must be 2-7/8" (7.3 cm) from the adjacent countertop/cabinet.

## Water Line & Electrical Location



## Important Safety Instructions

**WARNING:** To reduce the risk of fire, electric shock, or injury to persons when using the refrigerator, follow basic precautions, including the following:

- Plug into a grounded 3 prong outlet.
- Do not remove ground prong.
- Do not use an adapter.
- Do not use an extension cord.
- Disconnect power before servicing.
- Replace all parts and panels before operating.
- Remove doors from your old refrigerator.
- Use nonflammable cleaner.
- Keep flammable materials and vapors, such as gasoline, away from refrigerator.
- Use two or more people to move and install refrigerator.
- Disconnect power before installing ice maker (on ice maker kit ready models only).

**SAVE THESE INSTRUCTIONS**

# Proper Disposal (of old refrigerator)

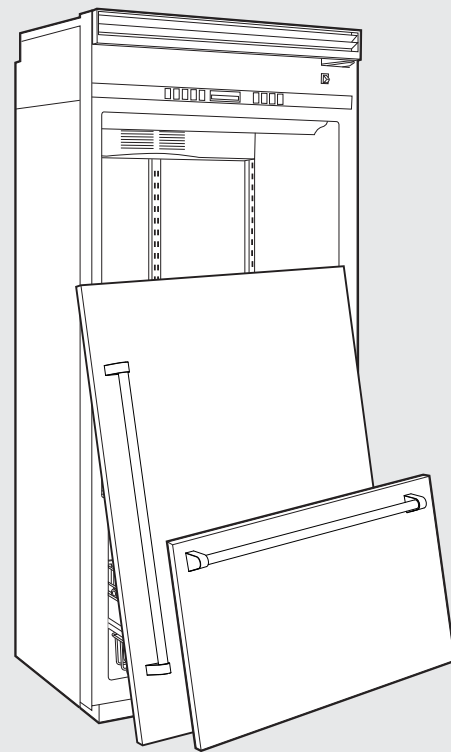
**⚠ WARNING**  
**Suffocation Hazard**  
**Remove doors from your old refrigerator.**  
**Failure to do so can result in death or brain damage.**

### IMPORTANT:

Child entrapment and suffocation are not problems of the past. Junked or abandoned refrigerators are still dangerous - even if they will sit for "just a few days." If you are getting rid of your old refrigerator, please follow these instructions to help prevent accidents.

### Before You Throw Away Your Old Refrigerator or Freezer:

- Take off the doors.
- Leave the shelves in place so that children may not easily climb inside.



# General Information

## Unpacking Unit


Your refrigerator was packed carefully for shipment. Remove and discard all packaging and tape. Do not remove the model/serial number label.

**⚠ WARNING**  
**Excessive Weight Hazard**  
**Use two or more people to move and install refrigerator.**  
**Failure to do so can result in back or other injury.**

### When moving Your Refrigerator:

Your refrigerator is heavy. When moving the refrigerator for cleaning or service, be sure to protect the floor. Always pull the refrigerator straight out when moving it. Do not wiggle or "walk" the refrigerator when trying to move it, as floor damage could occur.

## Location

**⚠ WARNING**  
  
**Explosion Hazard**  
**Keep flammable materials and vapors, such as gasoline, away from refrigerator.**  
**Failure to do so can result in death, explosion, or fire.**

- Do not install refrigerator near oven, radiator or other heat sources. If not possible, shield refrigerator material.

- Do not install where the temperature falls below 55°F (13°C) or rises above 110°F (43°C). Malfunctions can occur at these temperatures.
- Refrigerator is designed for indoor household application only.

## Measuring the Opening


When installing your refrigerator, measure carefully. Allow 1/2" (1.3 cm) space at top and 1/2" (1.3 cm) behind the machine compartment cover (located in the rear) for proper air circulation. Sub-flooring or floor coverings (i.e. carpet, tile, wood floors, rugs) may make your opening smaller than anticipated. Some clearance may be gained by using the leveling procedure under "Leveling". When installing your refrigerator next to a fixed wall, leave 2 7/8" (7.3 cm) minimum on the hinge side to allow for the door to swing open.

# General Information

## Moving Unit

- NEVER transport the refrigerator on its side. If an upright position is not possible, lay the refrigerator on its back. Allow refrigerator to sit upright for approximately 30 minutes before plugging it in to assure oil returns to the compressor. Plugging the refrigerator in immediately may cause damage to internal parts.
- Use an appliance dolly when moving refrigerator. ALWAYS truck refrigerator from its side or back - NEVER from its front.
- Protect outside finish of refrigerator during transport by wrapping cabinet in blankets or inserting padding between the refrigerator and dolly.
- Secure refrigerator to dolly firmly with straps or bungee cords. Thread straps through handles when possible. Do not overtighten. Overtightening restraints may dent or damage outside finish.

## Electrical Requirements

<b>⚠ WARNING</b>

<b>Electrical Shock Hazard</b>
<b>Plug into a grounded 3 prong outlet.</b>
<b>Do not remove ground prong.</b>
<b>Do not use an adapter.</b>
<b>Do not use an extension cord.</b>
<b>Failure to follow these instructions can result in death, fire, or electrical shock.</b>

Before you move your refrigerator to its final location, it is important to make sure you have the proper electrical connection.

### Recommended Grounding Method

A 115 Volt, 60 Hz., AC only 15- or 20-amp fused, grounded electrical supply is required. It is recommended that a separate circuit serving only your refrigerator be provided. Use an outlet that cannot be turned off by a switch. Do not use an extension cord.

**NOTE:** Before performing any type of installation, cleaning, or removing a light bulb, turn the refrigerator OFF. Press the freezer Down Arrow control until a dash (-) appears in both the Freezer and Refrigerator displays. Disconnect the refrigerator from the electrical source. When you are finished, reconnect the refrigerator to the electrical source and reset the temperature controls to the desired setting.

# General Information

## Water Supply Requirements

A cold water supply with water pressure of between 35 and 120 psi (241 and 827 kPa) is required to operate the water dispenser and ice maker. If you have questions about your water pressure, call a licensed, qualified plumber.

### Reverse Osmosis Water Supply

**IMPORTANT:** The pressure of the water supply coming out of a reverse osmosis system going to the water inlet valve of the refrigerator needs to be between 35 and 120 psi (241 and 827 kPa).

If a reverse osmosis water filtration system is connected to your cold water supply, the water pressure to the reverse osmosis system needs to be a minimum of 40 to 60 psi (276 to 414 kPa).

If the water pressure to the reverse osmosis system is less than 40 to 60 psi (276 to 414 kPa):

- Check to see whether the sediment filter in the reverse osmosis system is blocked. Replace the filter if necessary.
- Allow the storage tank on the reverse osmosis system to refill after heavy usage.
- If your refrigerator has a water filter, it may further reduce the water pressure when used in conjunction with a reverse osmosis system. Remove the water filter.


If you have questions about your water pressure, call a licensed, qualified plumber.



# Door and Drawer Removal

## Door Removal (Bottom-Mount)

**⚠ WARNING**



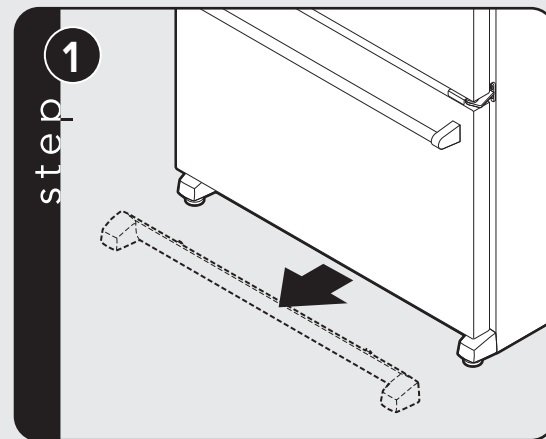
**Electrical Shock Hazard**

Disconnect power before removing doors.

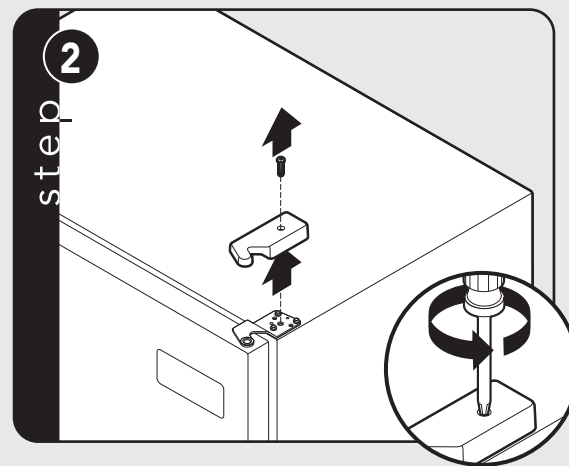
Failure to do so can result in death or electrical shock.

Some installations require door/drawer removal to transport the refrigerator to its final location.

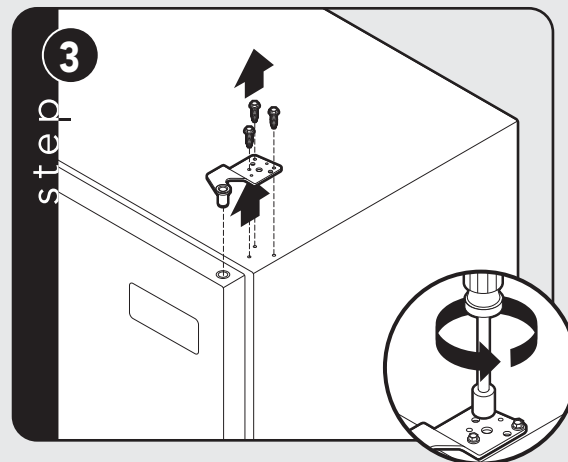
Make sure power cord is disconnected from power source.



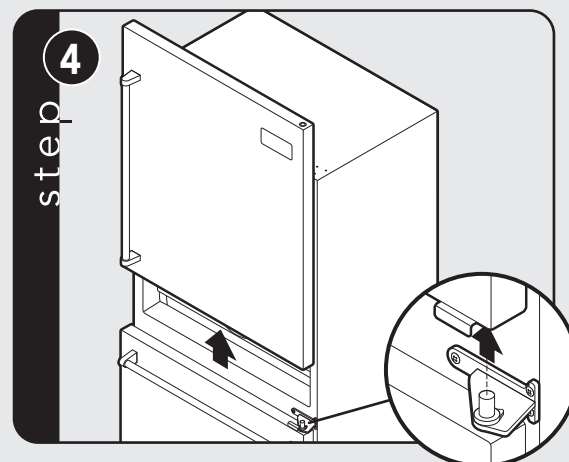
Remove toe grille. Grasp firmly and pull outward to unclip.



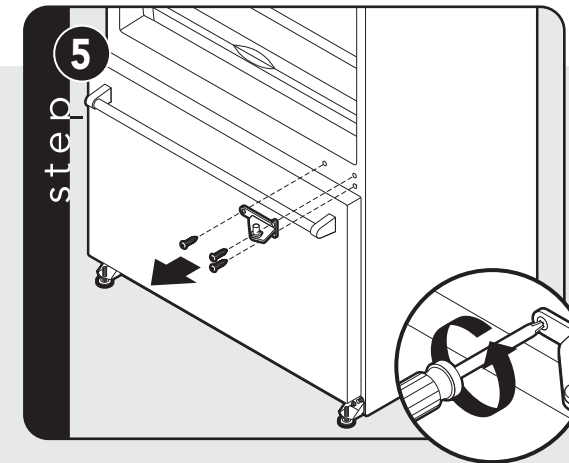
Remove top hinge cover from refrigerator door. Retain screw and cover for later use.



Unscrew 5/16" hex head screws from top hinge and remove hinge. Retain all screws for later use.




Lift refrigerator door from center hinge pin. Remove plastic sleeve, if present.



Remove screws to remove center hinge. Retain screws for later use.

## Door Removal (French Door Bottom-Mount)

**⚠ WARNING**



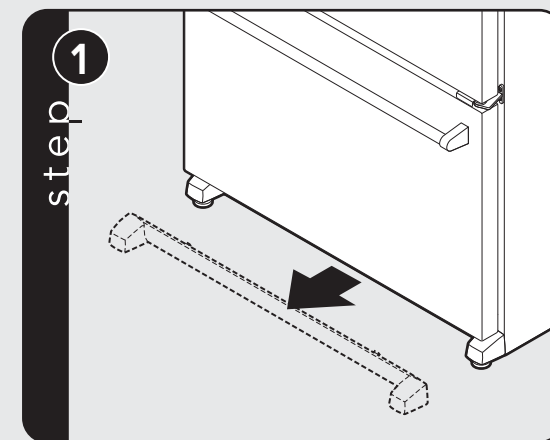
**Electrical Shock Hazard**

Disconnect power before removing doors.

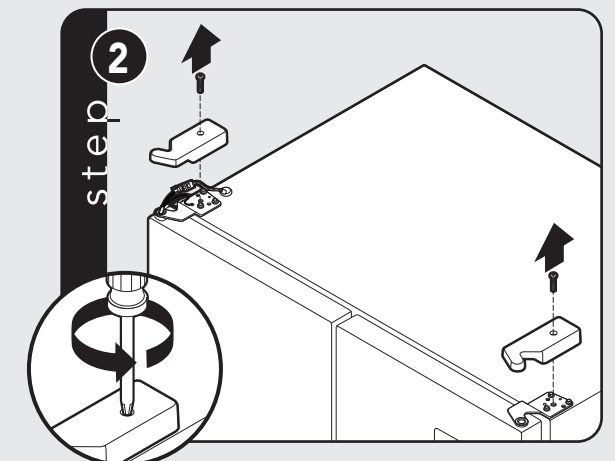
Failure to do so can result in death or electrical shock.

Some installations require door/drawer removal to transport the refrigerator to its final location.

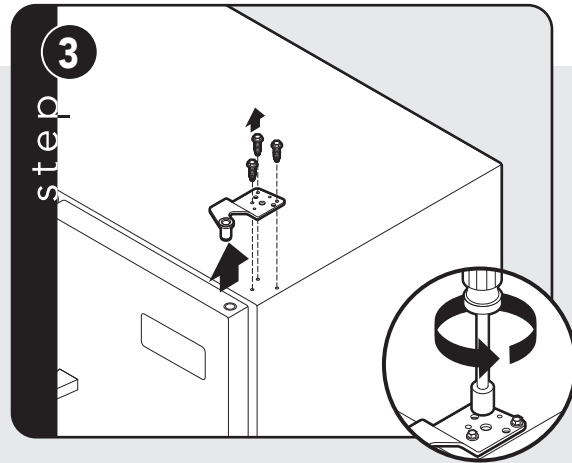
Make sure power cord is disconnected from power source.



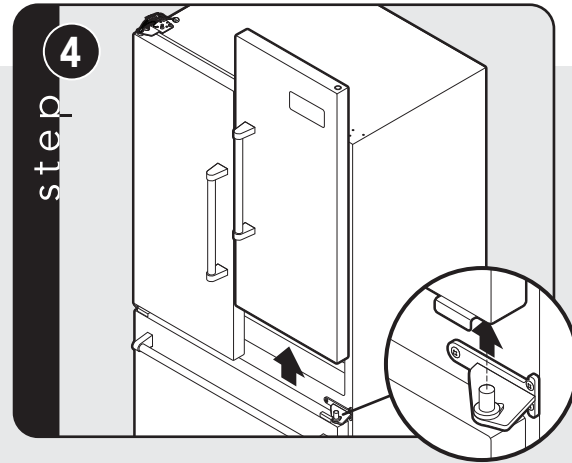
Remove toe grille. Grasp firmly and pull outward to unclip.



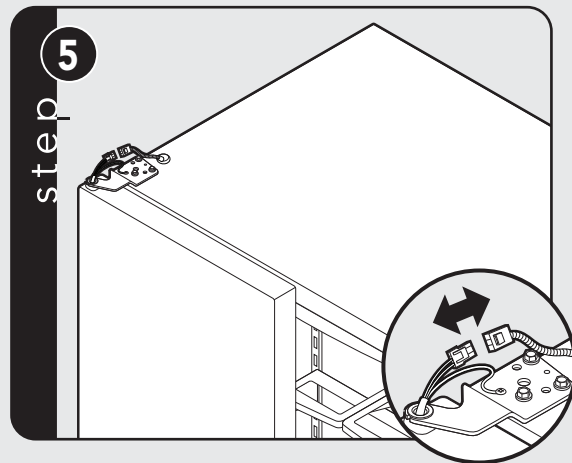
Remove top hinge covers from refrigerator doors. Retain screws and covers for later use.



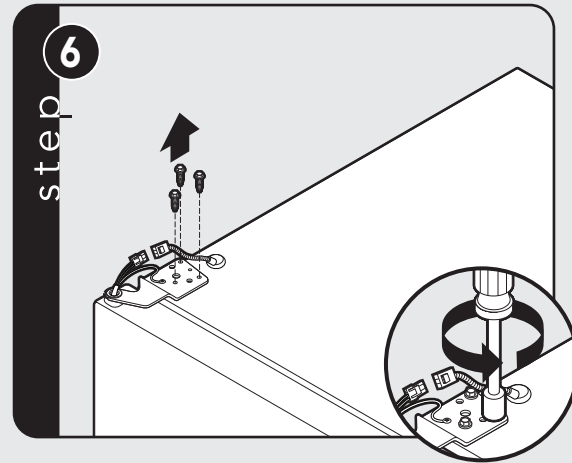
Unscrew 5/16" hex head screws from right top hinge and remove hinge. Retain all screws for later use.



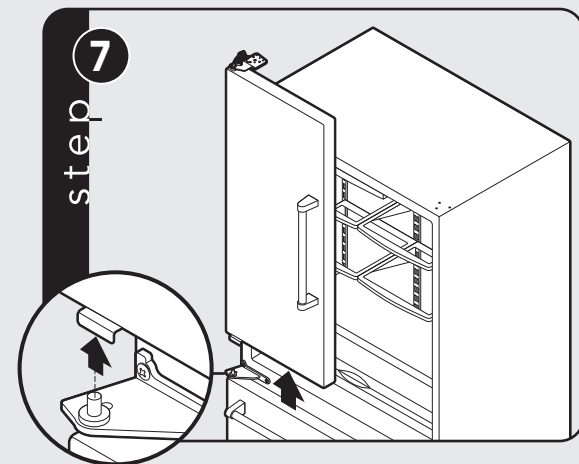
Lift right side refrigerator door from center hinge pin. Remove door closure from center hinge pin on the right side. Retain for later use.



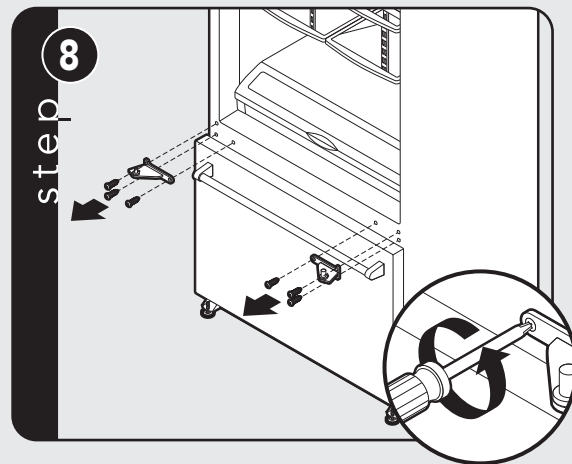
Disconnect wire harness on top of left side refrigerator door top hinge. Release two-pin connector by pressing junction point with a flat blade screwdriver or fingernail. Green ground wire remains attached to the hinge.



Unscrew 5/16" hex head screws from left top hinge. Retain all screws for later use.

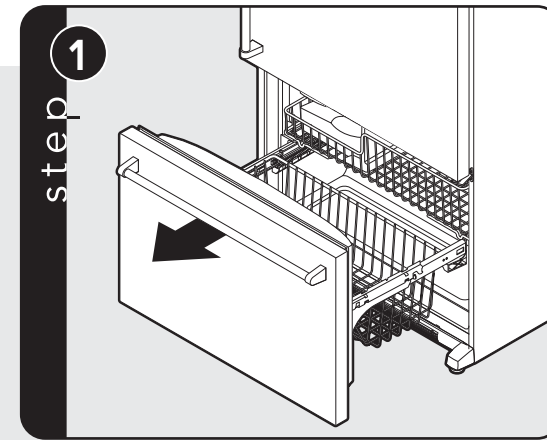


Lift left side refrigerator door, along with top hinge, from center hinge pin.

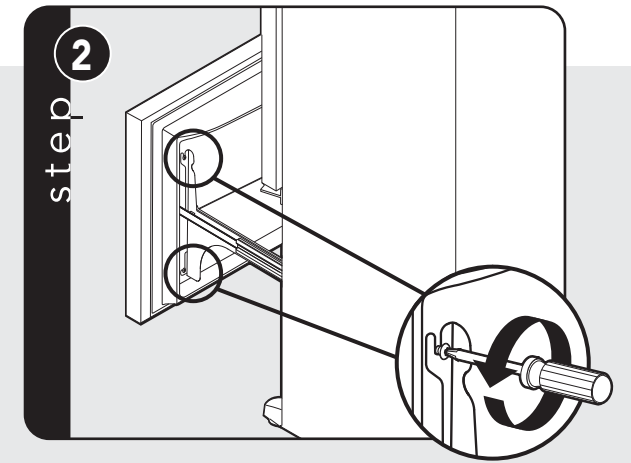


Remove screws to remove right and left hinges. Retain all screws for later use.

## Freezer Drawer Removal (Bottom-Mount)

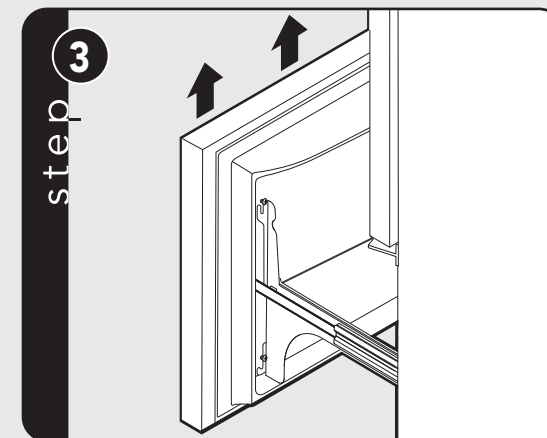


Pull drawer open to full extension.

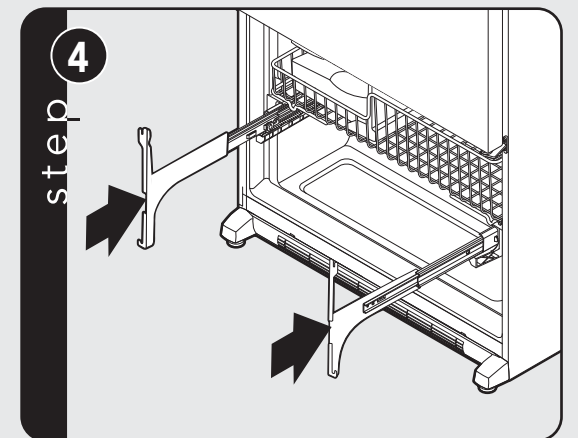


Loosen the four screws attaching the drawer glides to the drawer front on both sides.

**NOTE:** Loosen screws three to four turns. Keep the screws in the drawer front.

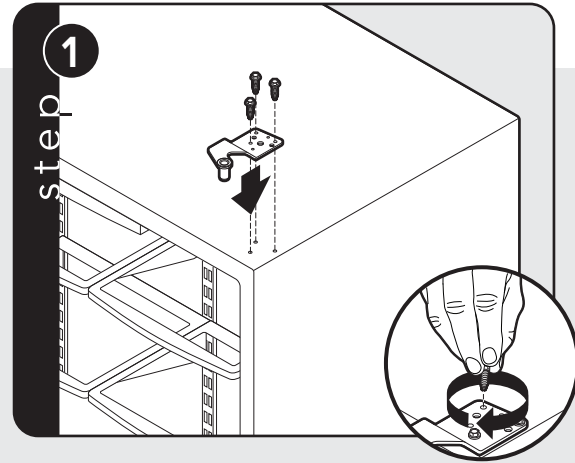


Lift drawer front upward and off the screws.

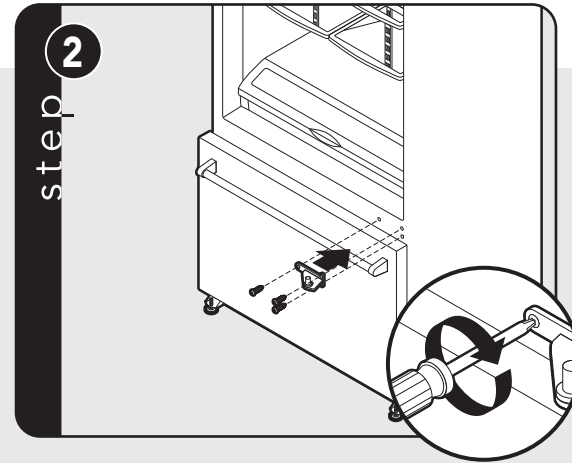


Push both rails back in.

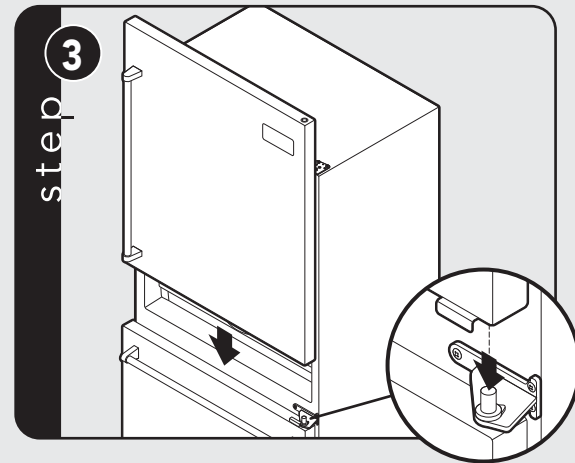
## Door Reinstallation (Bottom-Mount)



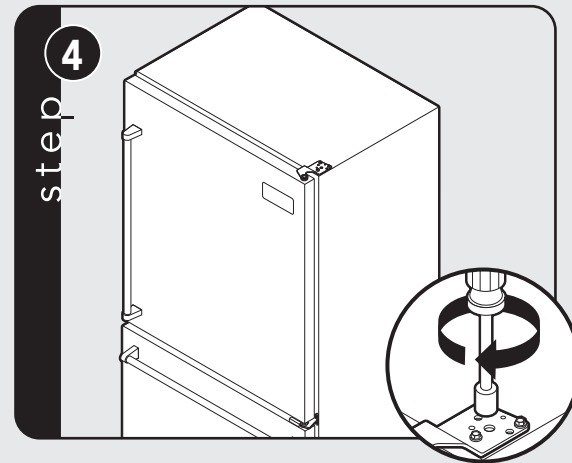
Install top hinge loosely with 5/16" hex head screws.



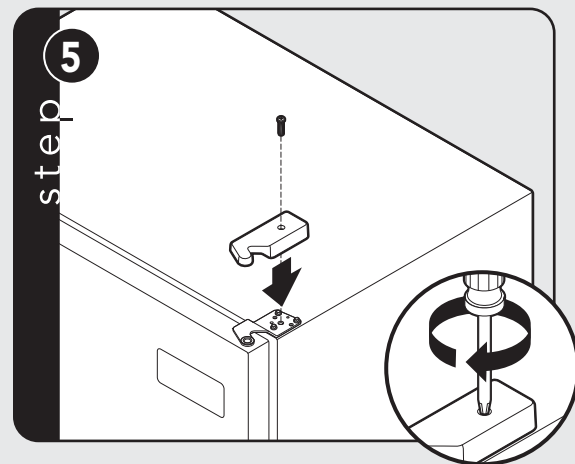
Install center hinge with Phillips screws.



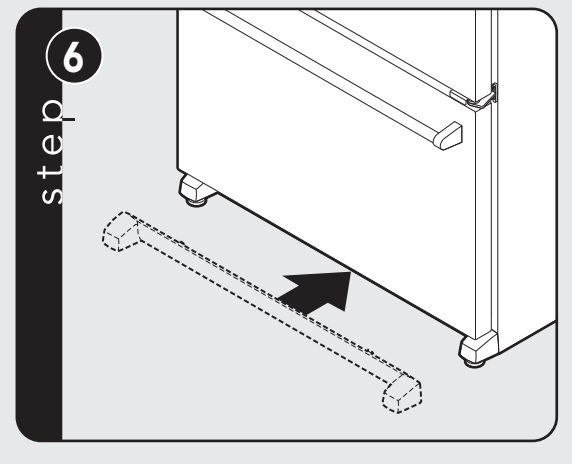
Place hinge side of refrigerator door on center hinge pin.



While holding refrigerator door upright, tighten down top hinge with 5/16" hex head drive.

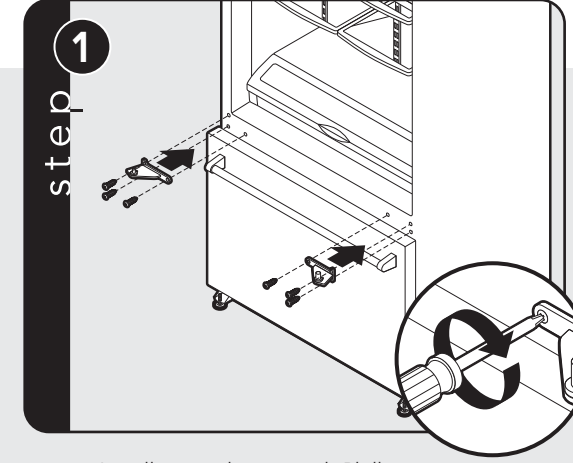


Replace hinge cover.

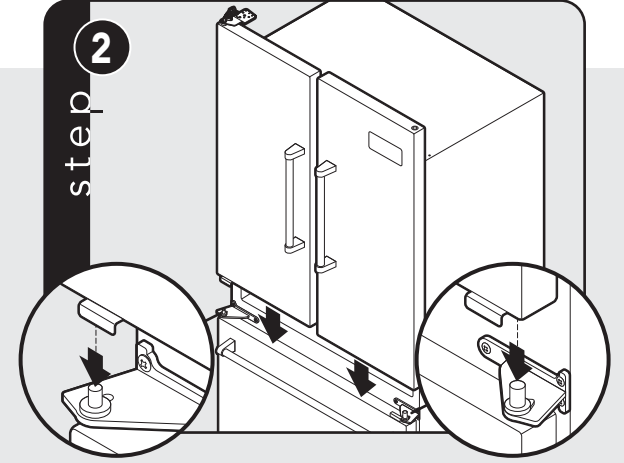


Replace toe grille.

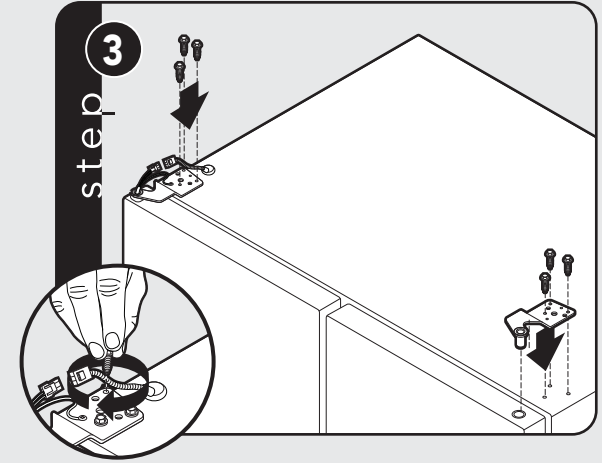
## Door Reinstallation (French Door Bottom-Mount)



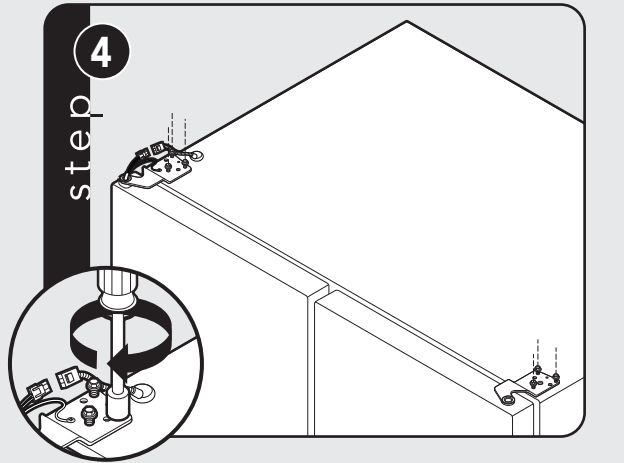
Install center hinges with Phillips screws.



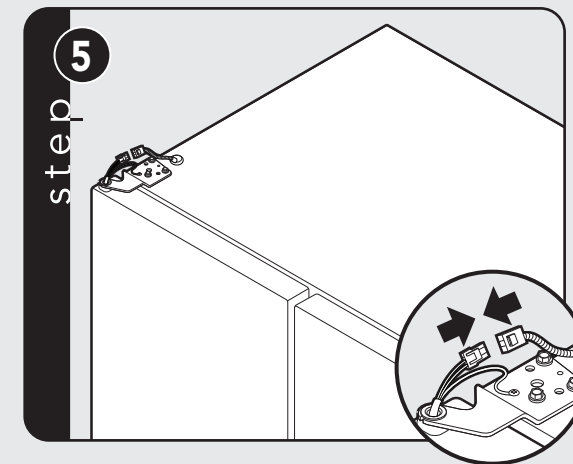
Place hinge side of refrigerator doors on center hinge pins.



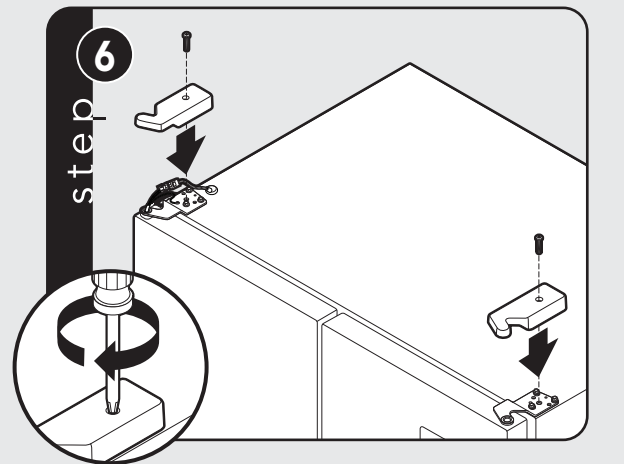
Install top hinges loosely with 5/16" hex head screws.



While holding refrigerator doors upright, tighten down top hinges with 5/16" hex head driver.

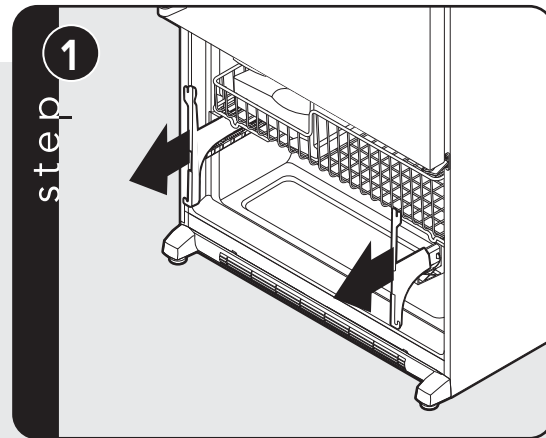


Reconnect two-pin connector.

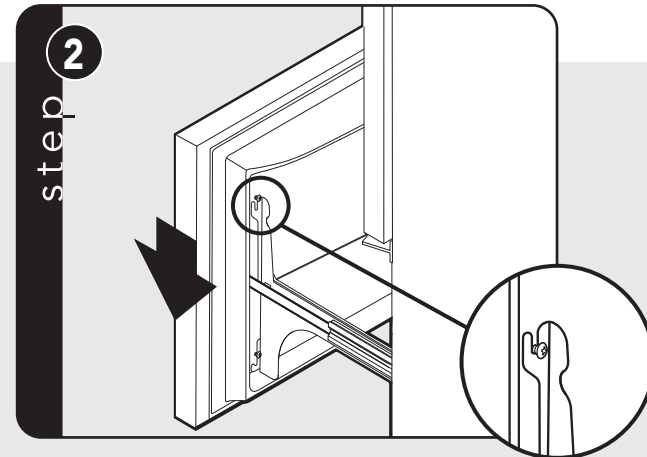


Replace top hinge covers.

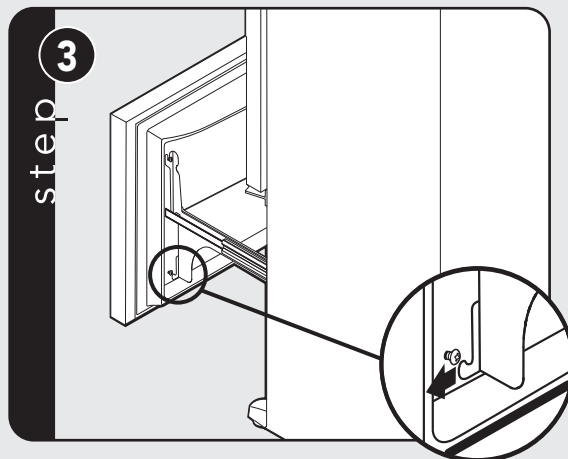
## Freezer Drawer Reinstallation (Bottom-Mount)



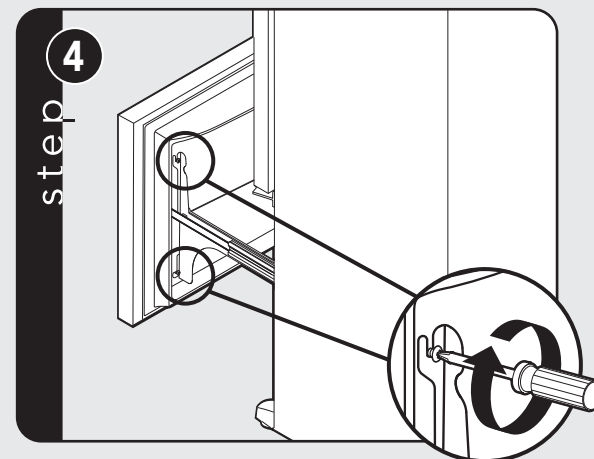
Pull both rails out to full extension.



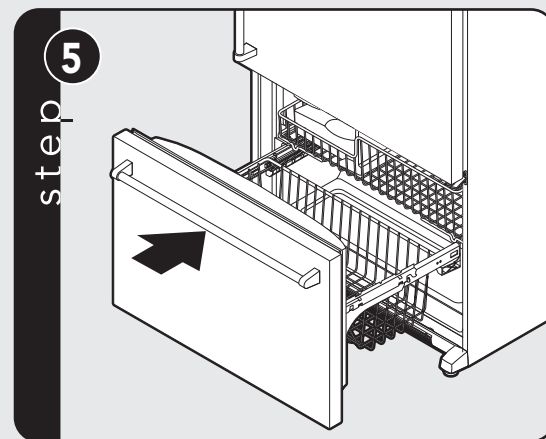
Insert the screws in the top of the drawer front into the slots in the drawer brackets.



Pull the drawer brackets toward you to position the screw in the bottom of the drawer front into the brackets. Repeat for both sides of drawer.



Completely tighten the four screws on both sides of drawer.



Push drawer closed.

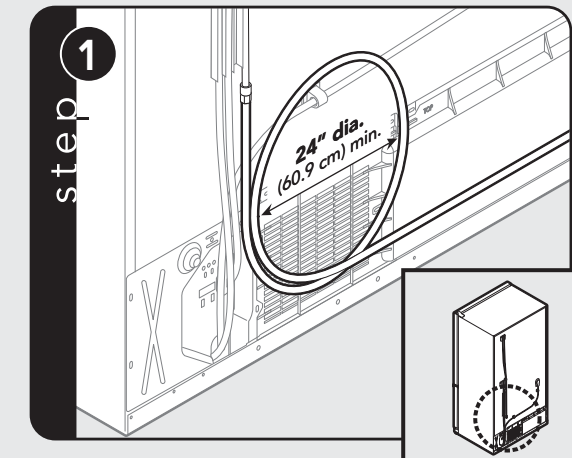
## Installation

### Connect to Water Supply

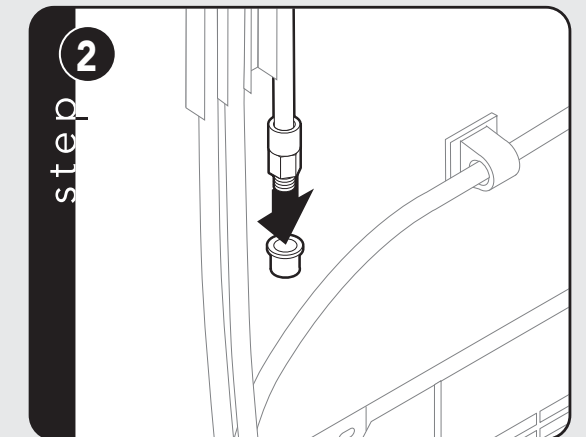
#### Materials Needed

- 1/4" outer diameter flexible copper tubing
- Shut-off valve (requires a 1/4" hole to be drilled into water supply line before valve attachment)
- 2 adjustable wrenches
- 1/4" hex nut driver

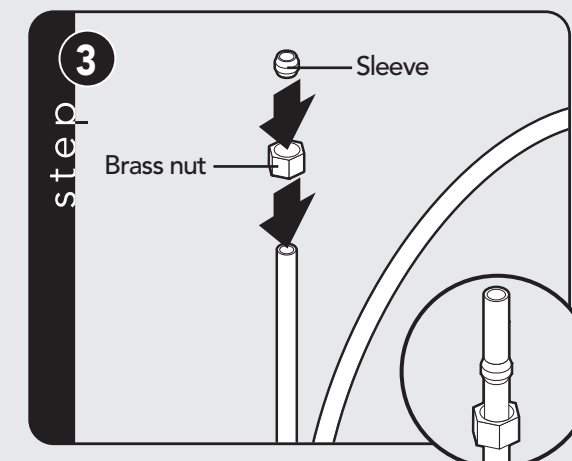
**NOTE:** Use copper tubing only for installation. Plastic is less durable and can cause damage. Add 8 feet to tubing length needed to reach water supply for creation of service loop.



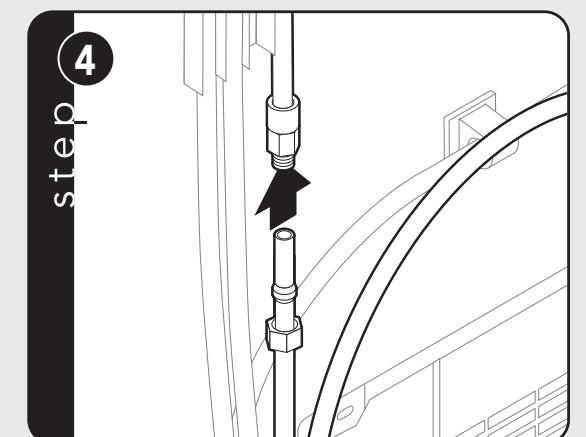
Create service loop with copper tubing (minimum 2 feet diameter). Avoid kinks in the copper tubing when bending the service loop. Do not use plastic tubing.



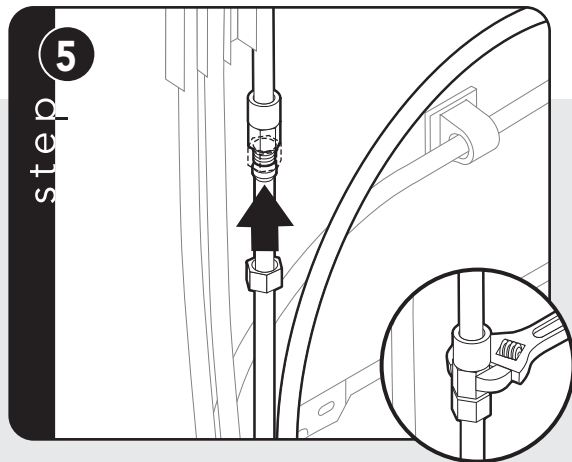
Remove plastic cap from water valve inlet port.



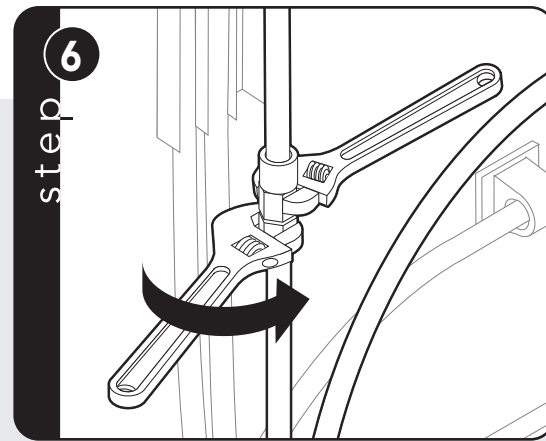
Place brass nut and sleeve on copper tube end as illustrated. Remember: Do not use old sleeve. The nut and the sleeve are provided in the consumer literature packet.



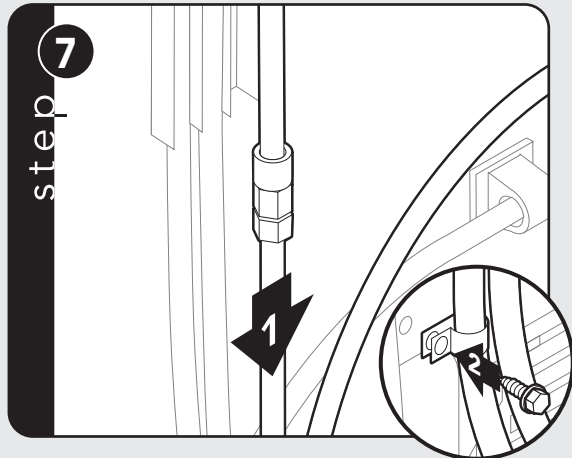
Place end of copper tubing into water valve inlet port. Shape tubing slightly. Do not kink—so that tubing feeds straight into inlet port.



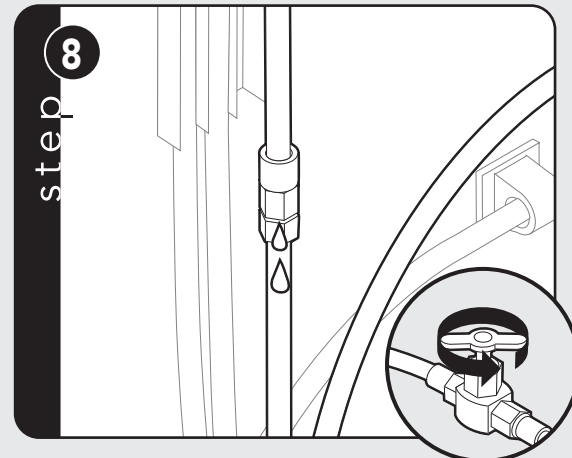
Slide brass nut over sleeve and screw nut into inlet port. Place adjustable wrench on nut attached to plastic waterline and maintain position.



Using second adjustable wrench, turn the lower nut counterclockwise and fully tighten the upper nut in place. **IMPORTANT:** Do not overtighten. Cross threading may occur.



Pull on tubing to confirm connection is secure. Connect tubing to frame with tubing clamp.



Turn on water supply. Check for leaks and correct if necessary. Monitor water connection for 24 hours. Correct leaks if necessary.

## Leveling

To protect property and refrigerator from damage, observe the following:

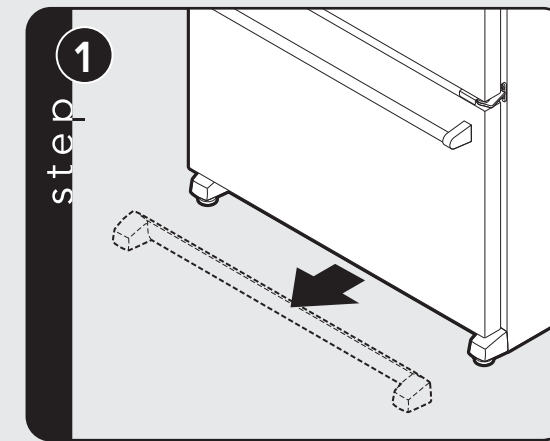
- Protect vinyl or other flooring with cardboard, rugs, or other protective material.
- Do not use power tools when performing leveling procedure.

### Materials Needed

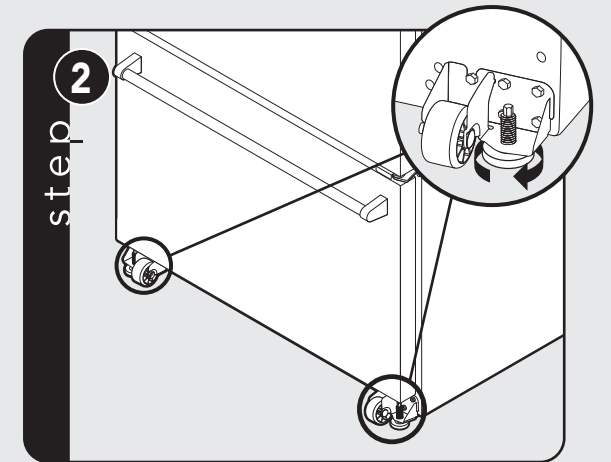
- 1/4" hex head driver
- Carpenter's level

To enhance the appearance and maintain performance, the refrigerator should be level.

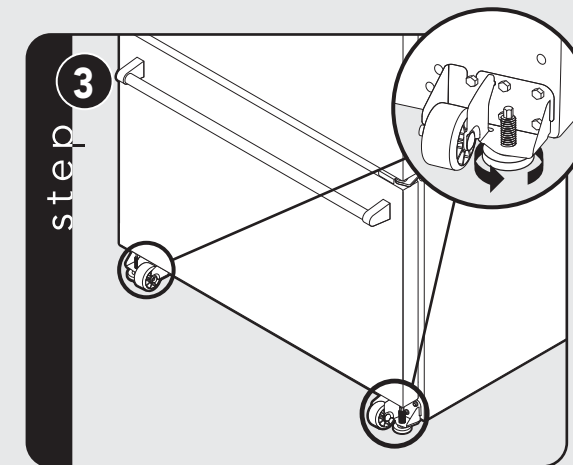
**NOTE:** Complete any required panel installation and/or water supply connection before leveling. Refrigerator should be in permanent location prior to leveling.



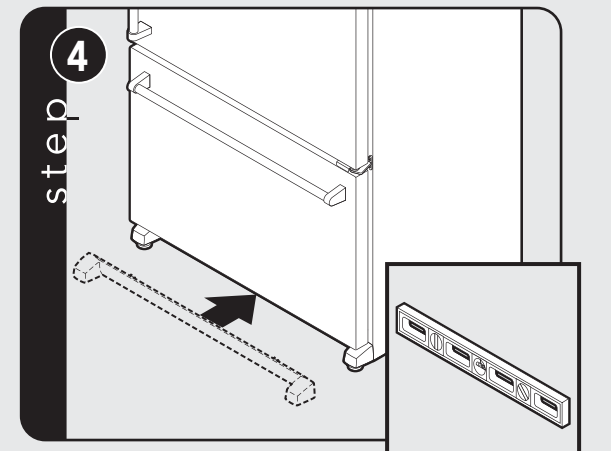
Remove toe grille. Grasp firmly and pull outward to unclip.



To raise the front of the unit, turn the leveler foot screw clockwise. **NOTE:** Having someone push against the top of the refrigerator takes some weight off the leveler foot screws.

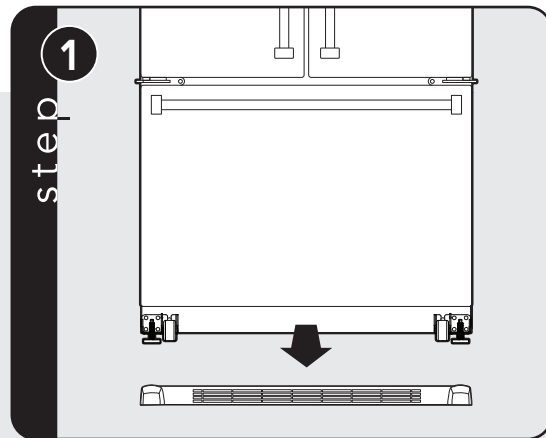


To lower the front of the unit, turn the leveler foot screw counterclockwise. **NOTE:** It may take several turns of the leveler foot screw to adjust the tilt of the refrigerator.

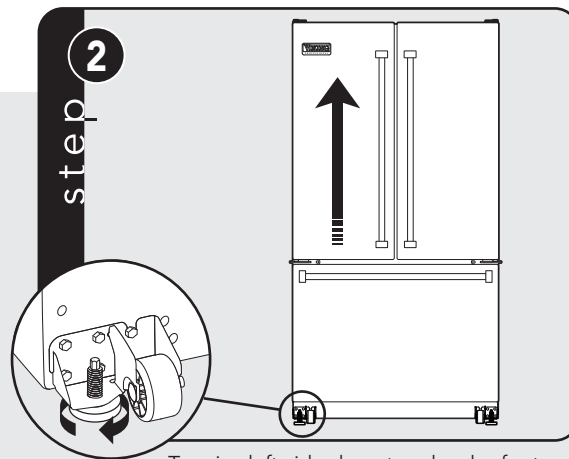


Replace toe grille. Align the toe grille mounting clips with the lower cabinet slots. Push the toe grille firmly until it snaps into place. Check for level.

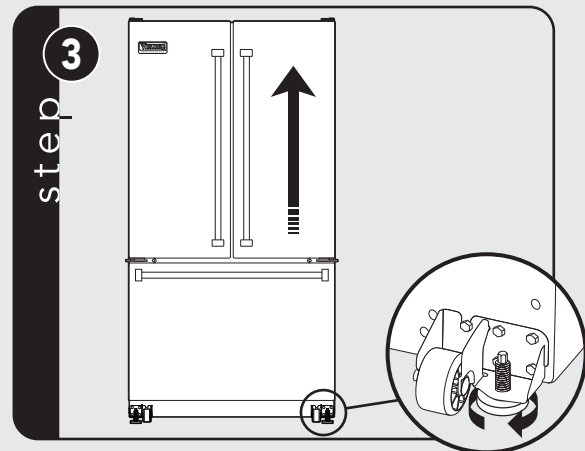
## Door Alignment (French Door Bottom-Mount)



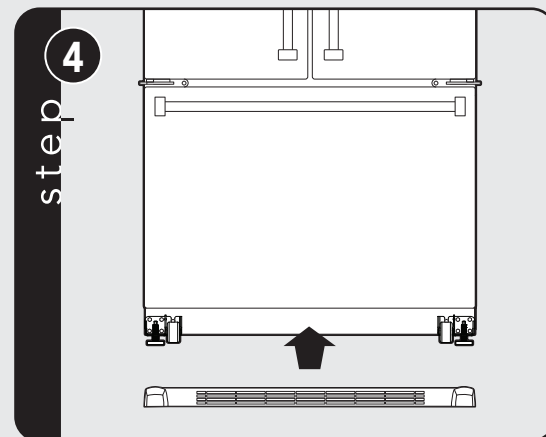
Remove toe grille. Grasp firmly and pull outward to unclip.



To raise left side door, turn leveler foot screw clockwise.



To raise left side door, turn leveler foot screw clockwise.



Replace toe grille. Align the toe grille mounting clips with the lower cabinet slots. Push the toe grille firmly until it snaps into place.

## Complete the Installation

### ⚠ WARNING



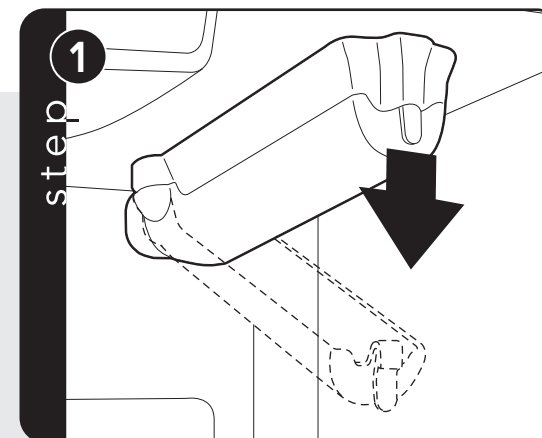
#### Electrical Shock Hazard

Plug into a grounded 3 prong outlet.  
Do not remove ground prong.  
Do not use an adapter.  
Do not use an extension cord.  
Failure to follow these instructions can result in death, fire, or electrical shock.

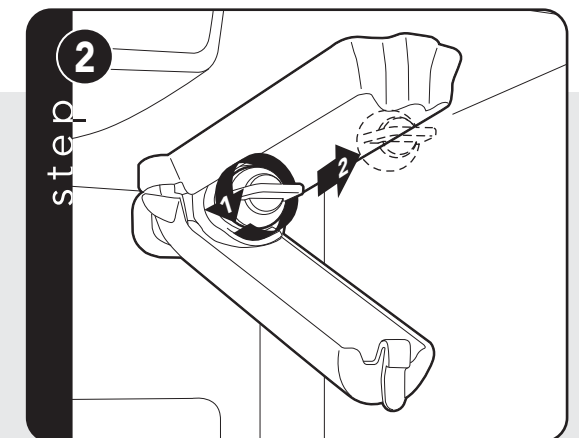
1. Plug into a grounded 3 prong outlet.

**NOTE:** Allow 24 hours to produce the first batch of ice. Discard the first three batches of ice produced. Allow 3 days to completely fill the ice container.

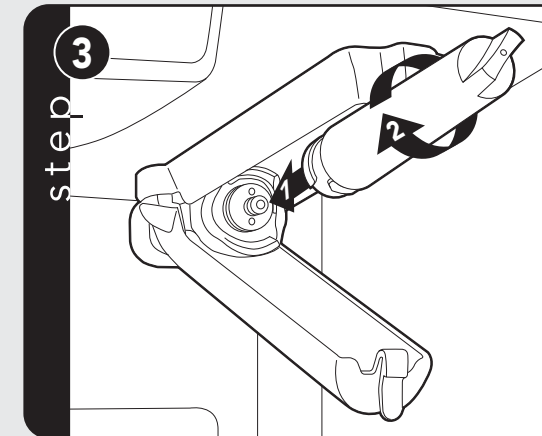
## Water Filter Installation



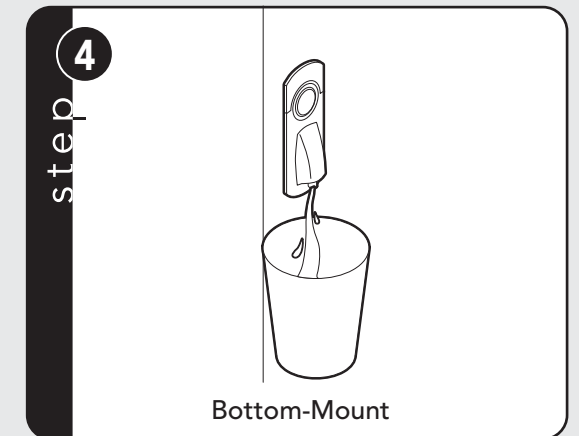
Locate water filter compartment. The compartment is located in the upper right corner of the refrigerator. Push tab on compartment to release latch and pull downward.



Unscrew and remove the water filter blue bypass cap.

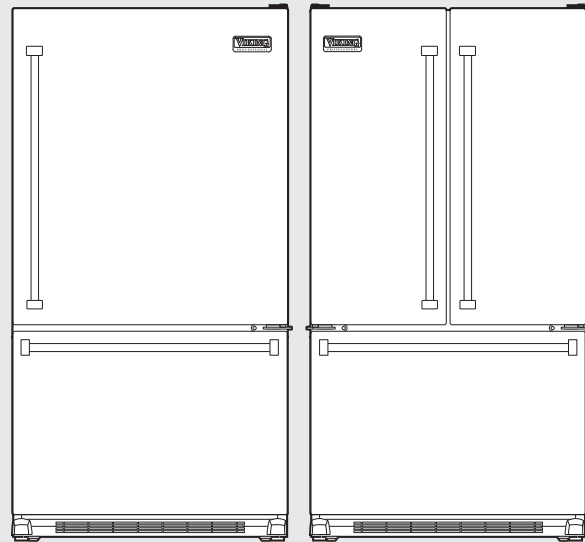


Insert filter cartridge into filter housing. Rotate clockwise gently until filter stops. Close water filter door.



**NOTE:** Allow 1-2 minute delay in water dispersal to allow internal water tank to fill. Flush air from the system by running water through the dispenser continuously for 3 minutes.

# Performance Checklist



- Plug-in unit and verify operation.
- Connect water supply (if applicable).
  - Verify icemaker bail arm is down.
  - Verify dispenser operation (if applicable).
- Align/square door(s).
- Verify drain pan properly installed and no leaks on water connection.
- Remove internal packaging and labels and wipe unit down.

**Installer's information:**

Installer's name: \_\_\_\_\_

Installer's company: \_\_\_\_\_

Date: \_\_\_\_\_

# Service & Registration

Only authorized replacement parts may be used in performing service on the appliance. Do not repair or replace any part of the appliance unless specifically recommended in the manual. All other servicing should be referred to a qualified technician.

Record the following information indicated below. You will need it if service is ever required. The serial number and model number for your appliance are located on the identification plate mounted on the left wall of the refrigerator section of the unit.

Model number

\_\_\_\_\_

Serial number

\_\_\_\_\_

Date of purchase

\_\_\_\_\_

Date installed

\_\_\_\_\_

Dealer's name

\_\_\_\_\_

Address

\_\_\_\_\_

