

Viking Installation Guide



Viking Range Corporation

111 Front Street

Greenwood, Mississippi 38930 USA

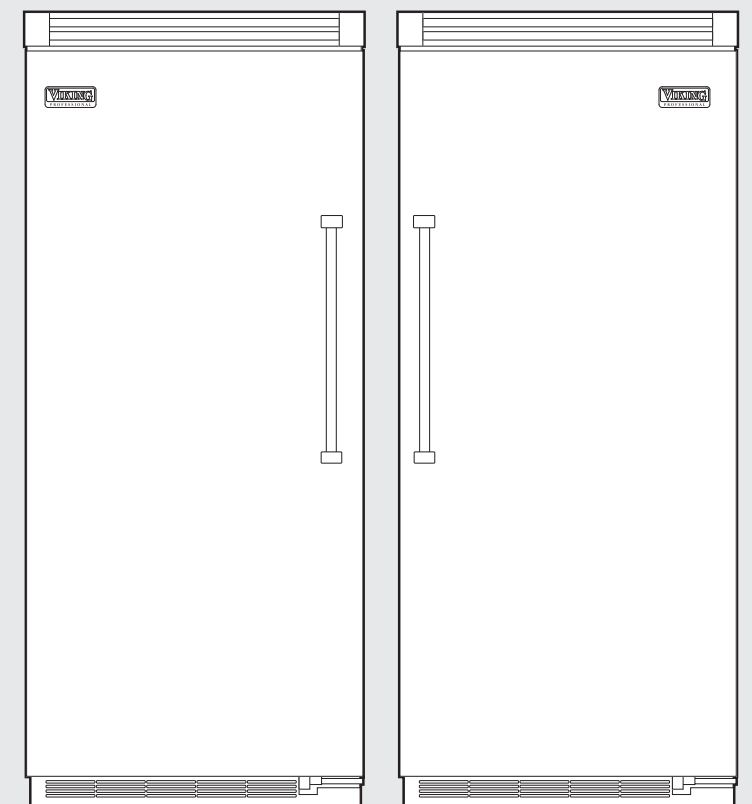
(662) 455-1200

For product information,

call 1-888-VIKING1 (845-4641)

or visit the Viking Web site at

vikingrange.com



All Refrigerator/Freezer



(071007J)

Table of Contents

| | |
|--|----|
| Warnings & Important Information _____ | 4 |
| Professional | |
| Dimensions (30" and 36") _____ | 5 |
| Specifications (30" and 36") _____ | 6 |
| Cutout Dimensions (30") _____ | 7 |
| Anti-Tip Dimensions (30") _____ | 8 |
| Cutout Dimensions (36") _____ | 9 |
| Anti-Tip Dimensions (36") _____ | 10 |
| Dimensions (Dual 30") _____ | 11 |
| Dimensions (Dual 30" and 36") _____ | 12 |
| Dimensions (Dual 36") _____ | 13 |
| Specifications (Dual) _____ | 14 |
| Cutout Dimensions (Dual 30") _____ | 15 |
| Anti-Tip Dimensions (Dual 30") _____ | 16 |
| Cutout Dimensions (Dual 30" and 36") _____ | 17 |
| Cutout Dimensions (Dual 30" and 36") _____ | 18 |
| Cutout Dimensions (Dual 36") _____ | 19 |
| Anti-Tip Dimensions (Dual 36") _____ | 20 |
| Cabinet Information _____ | 21 |
| Designer | |
| Dimensions (30" and 36") _____ | 23 |
| Specifications (30" and 36") _____ | 24 |
| Cutout Dimensions (30") _____ | 25 |
| Anti-Tip (30") _____ | 26 |
| Cutout Dimensions (36") _____ | 27 |
| Anti-Tip Dimensions (36") _____ | 28 |
| Dimensions (Dual 30") _____ | 29 |
| Dimensions (Dual 30" and 36") _____ | 30 |
| Dimensions (Dual 36") _____ | 31 |
| Specifications (Dual) _____ | 32 |
| Cutout Dimensions (Dual 30") _____ | 33 |
| Anti-Tip Dimensions (Dual 30") _____ | 34 |
| Cutout Dimensions (Dual 30" and 36") _____ | 35 |
| Anti-Tip Dimensions (Dual 30" and 36") _____ | 36 |
| Cutout Dimensions (Dual 36") _____ | 37 |
| Anti-Tip Dimensions (Dual 36") _____ | 38 |
| Cabinet Information _____ | 39 |
| General Information _____ | 41 |
| Unpacking & Moving _____ | 43 |
| Installation _____ | 44 |
| Hinge Adjustment _____ | 45 |
| Kickplate Installation _____ | 47 |
| Door Stop Adjustment _____ | 48 |
| Final Installation _____ | 48 |
| Performance Checklist _____ | 50 |
| Control Panels _____ | 51 |
| Service & Registration _____ | 52 |

IMPORTANT—Please Read and Follow!

- Make sure that incoming voltage is the same as unit rating. An electric rating plate specifying voltage, frequency, wattage, amperage, and phase is attached to the product.
- To reduce the risk of fire, electric shock, or injury to persons, installation work and electrical wiring must be done by qualified people in accordance with all applicable codes and standards, including fire-rated construction.
- The installer should leave these instructions with the consumer who should retain them for local inspector's use and for future reference.


It is your responsibility to:

- Comply with installation specifications and dimensions
- Properly install unit
- Remove any moldings or decorative panels that prevent the unit from being serviced
- Make sure that you have these materials (not provided with your unit), which are necessary for proper installation:
 - 1/4" (6 mm) copper tubing with shutoff valve
 - 6- #8 x 3" (7.6 cm) wood screws (longer screws may be required)
 - 1- Saddle valve (do not use self-piercing feature of the valve)
- Assure that floor will support unit, door panels and contents (approximately 1200 pounds [540 kg])
- Provide a properly grounded electrical outlet
- Assure that location will permit appliance doors to open 90° minimum

⚠ WARNING


ELECTRICAL SHOCK HAZARD

Disconnect power or turn power disconnect switch to OFF position before removing top grille. Failure to do so can result in death or electrical shock.



Your safety and the safety of others is very important.

We have provided many important safety messages in this manual and on your appliance. Always read and obey all safety messages.

 This is the safety alert symbol. This symbol alerts you to hazards that can kill or hurt you and others.

All safety messages will be preceded by the safety alert symbol and the word "DANGER" or "WARNING." These words mean:

⚠ DANGER

You will be killed or seriously injured if you don't follow instructions.

⚠ WARNING


You can be killed or seriously injured if you don't follow instructions.

All safety messages will identify the hazard, tell you how to reduce the chance of injury, and tell you what can happen if the instructions are not followed.

⚠ WARNING

TIP OVER HAZARD

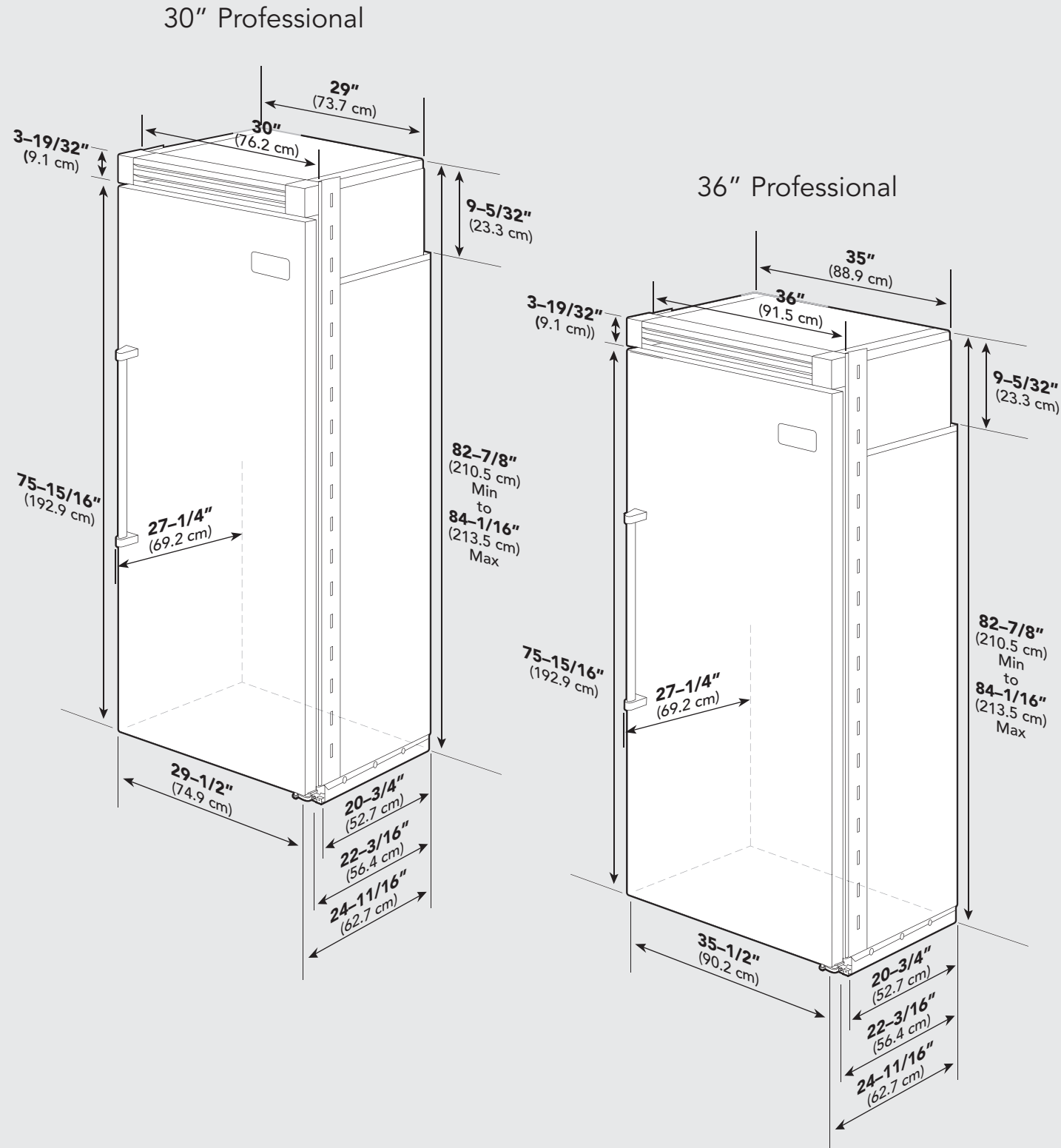
Appliance is top heavy and tips easily when not completely installed. Keep doors closed until appliance is completely installed and secured per installation instructions.



Use two or more people to move and install appliance. Failure to do so can result in death or serious injury.

Most of the unit's weight is at the top. Extra care is needed when moving the unit to prevent tipping. Use cardboard shipping material or plywood under unit until it is installed in the operating position to protect floor surface.

Dimensions (Professional All Refrigerator/Freezer)



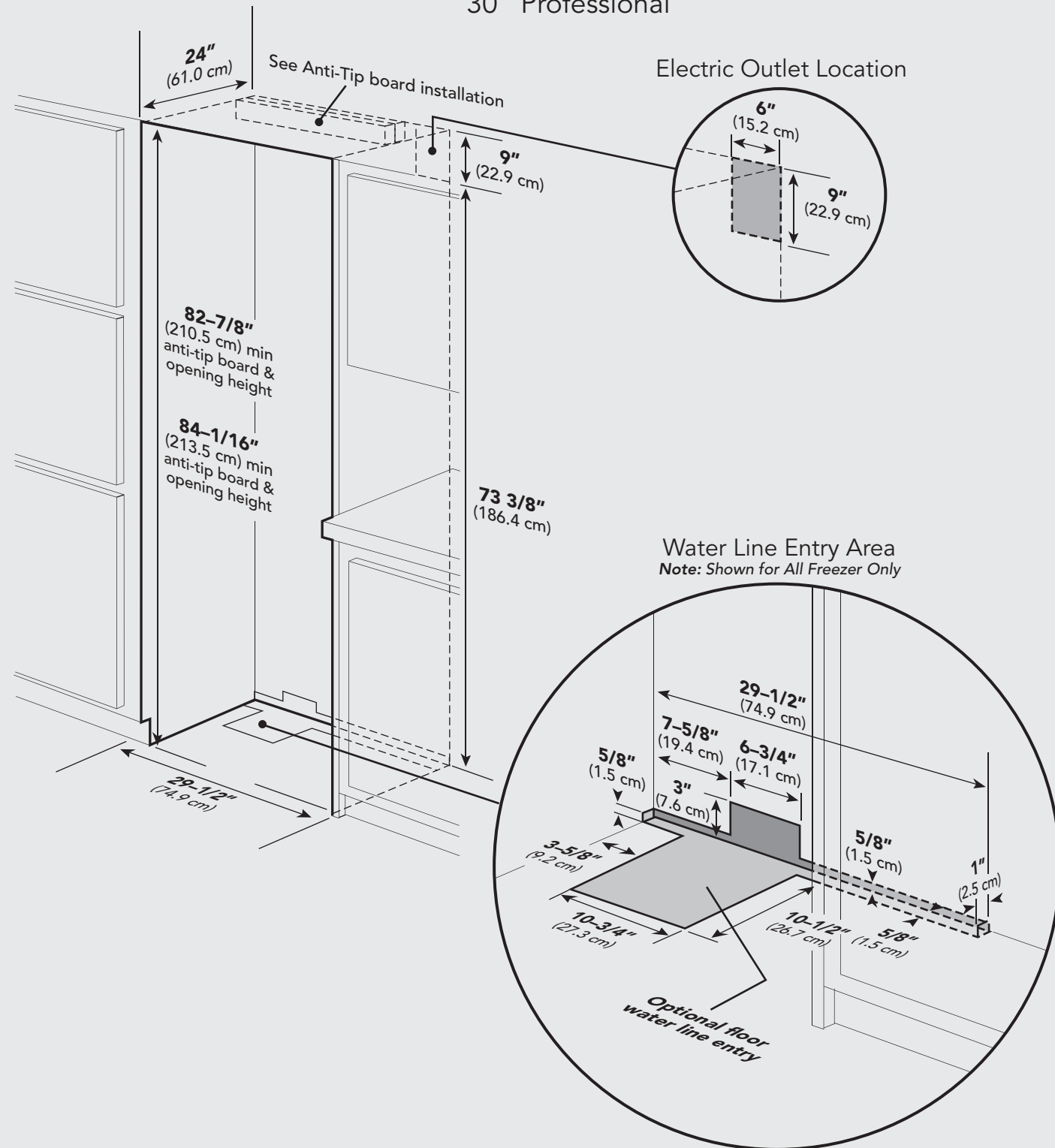
Specifications (Professional All Refrigerator/Freezer)

| 30" All Refrigerator/Freezer | | |
|------------------------------|---|---------------------------|
| Description | VCFB304 | VCRB304 |
| Overall Width | 30" (76.2 cm) | |
| Overall Height from Bottom | Min. 82 3/4" (210.2 cm) to Max. 84 1/16" (213.5 cm) | |
| Overall Depth from Rear | To front edge of side trim: 22 3/16" (56.4 cm) To front of top grille: 24 11/16" (62.7 cm) To front of handle endcap: 27 1/4" (69.2 cm) | |
| Cutout Width | 29 1/2" (74.9 cm) | |
| Cutout Height | Min. 82 7/8" (210.5 cm) to Max. 84 1/16" (213.5 cm) | |
| Cutout Depth | Min. 24" (61.0 cm) | |
| Electrical Requirements | 115 volt, 60 Hz, 15 amp dedicated circuit; 3-wire cord with grounded 3-prong plug attached to product | |
| Maximum Amp Usage | 9.9 amps | |
| Inlet Water Requirements | 1/4" copper tubing inlet waterline; minimum 20 psi; maximum 120 psi | N/A |
| Overall Interior Dimensions | | |
| Total Capacity | 15.9 cu. ft. (450 liters) | 18.2 cu. ft. (516 liters) |
| Approximate Shipping Weight | 425 lbs. (193.2 kg) | |

| 36" All Refrigerator/Freezer | | |
|------------------------------|---|---------------------------|
| Description | VCFB364 | VCRB364 |
| Overall Width | 36" (91.5 cm) | |
| Overall Height from Bottom | Min. 82 3/4" (210.2 cm) to Max. 84 1/16" (213.5 cm) | |
| Overall Depth from Rear | To front edge of side trim: 22 3/16" (56.4 cm) To front of top grille: 24 11/16" (62.7 cm) To front of handle endcap: 27 1/4" (69.2 cm) | |
| Cutout Width | 35 1/2" (90.2 cm) | |
| Cutout Height | Min. 82 7/8" (210.5 cm) to Max. 84 1/16" (213.5 cm) | |
| Cutout Depth | Min. 24" (61.0 cm) | |
| Electrical Requirements | 115 volt, 60 Hz, 15 amp dedicated circuit; 3-wire cord with grounded 3-prong plug attached to product | |
| Maximum Amp Usage | 9.9 amps | |
| Inlet Water Requirements | 1/4" copper tubing inlet waterline; minimum 20 psi; maximum 120 psi | N/A |
| Overall Interior Dimensions | | |
| Total Capacity | 19.1 cu. ft. (541 liters) | 22.8 cu. ft. (646 liters) |
| Approximate Shipping Weight | 500 lbs. (227.3 kg) | |

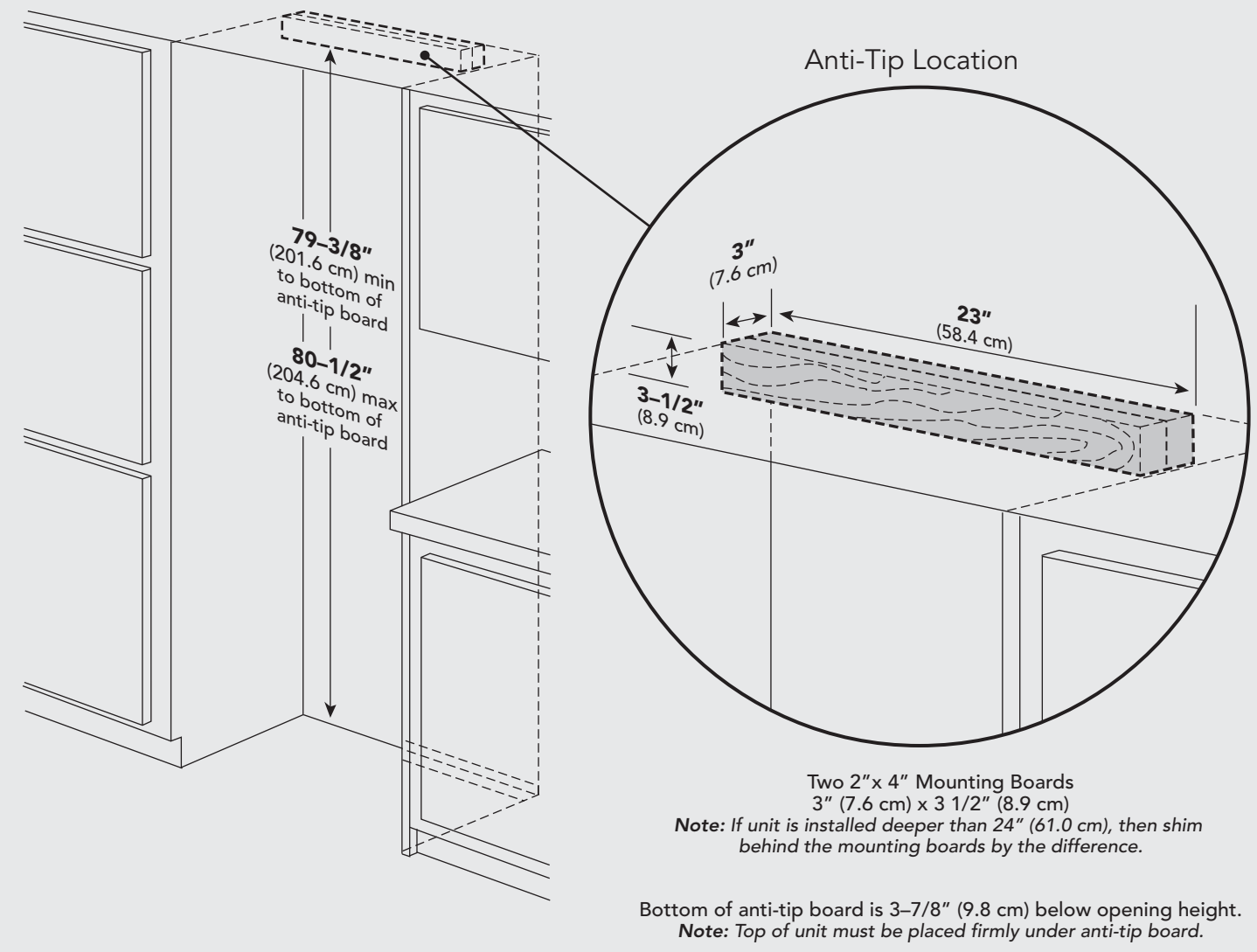
Cutout Dimensions (Professional All Refrigerator/Freezer)

30" Professional



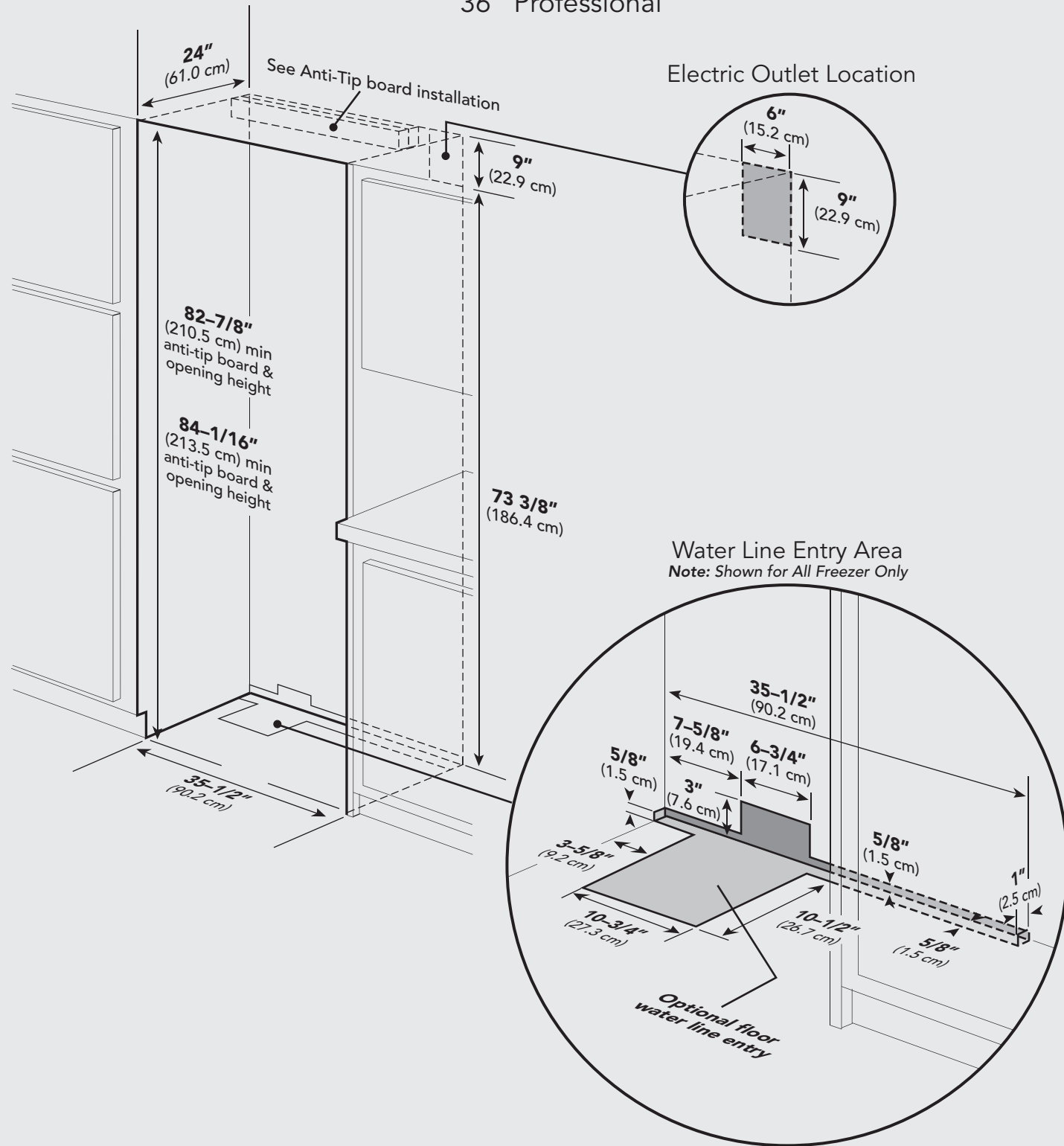
Anti-Tip Dimensions (Professional All Refrigerator/Freezer)

30" Professional



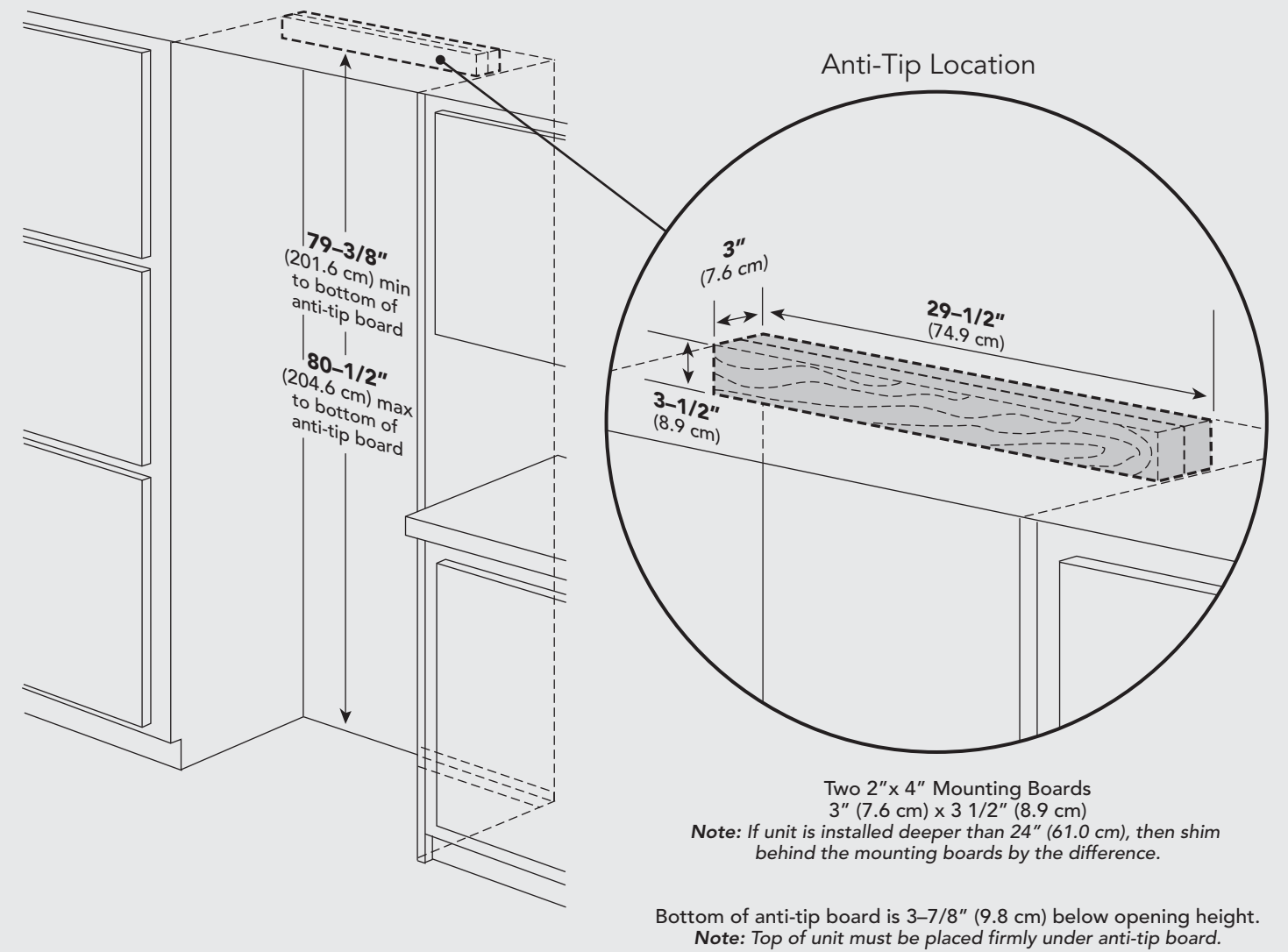
Cutout Dimensions (Professional All Refrigerator/Freezer)

36" Professional



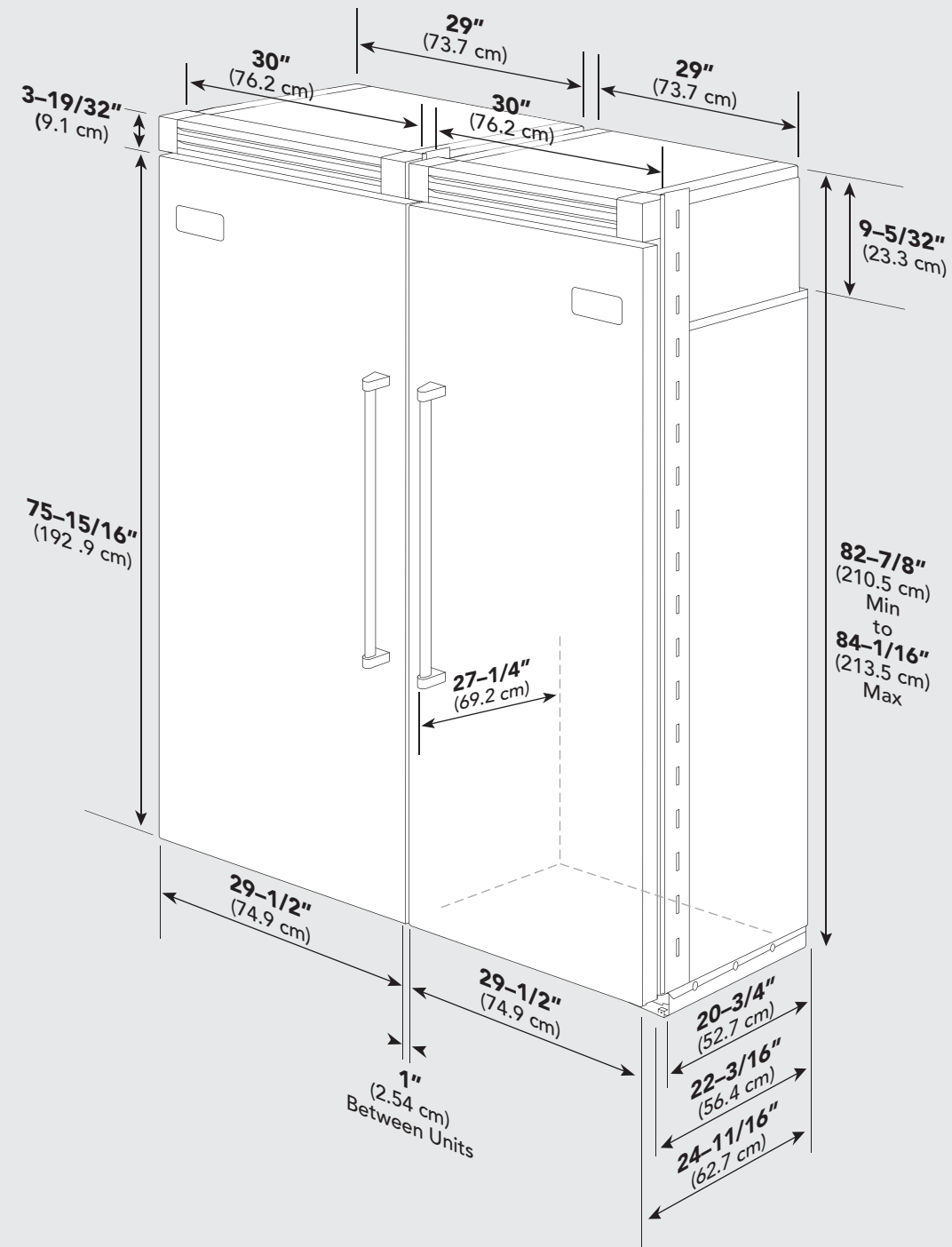
Anti-Tip Dimensions (Professional All Refrigerator/Freezer)

36" Professional



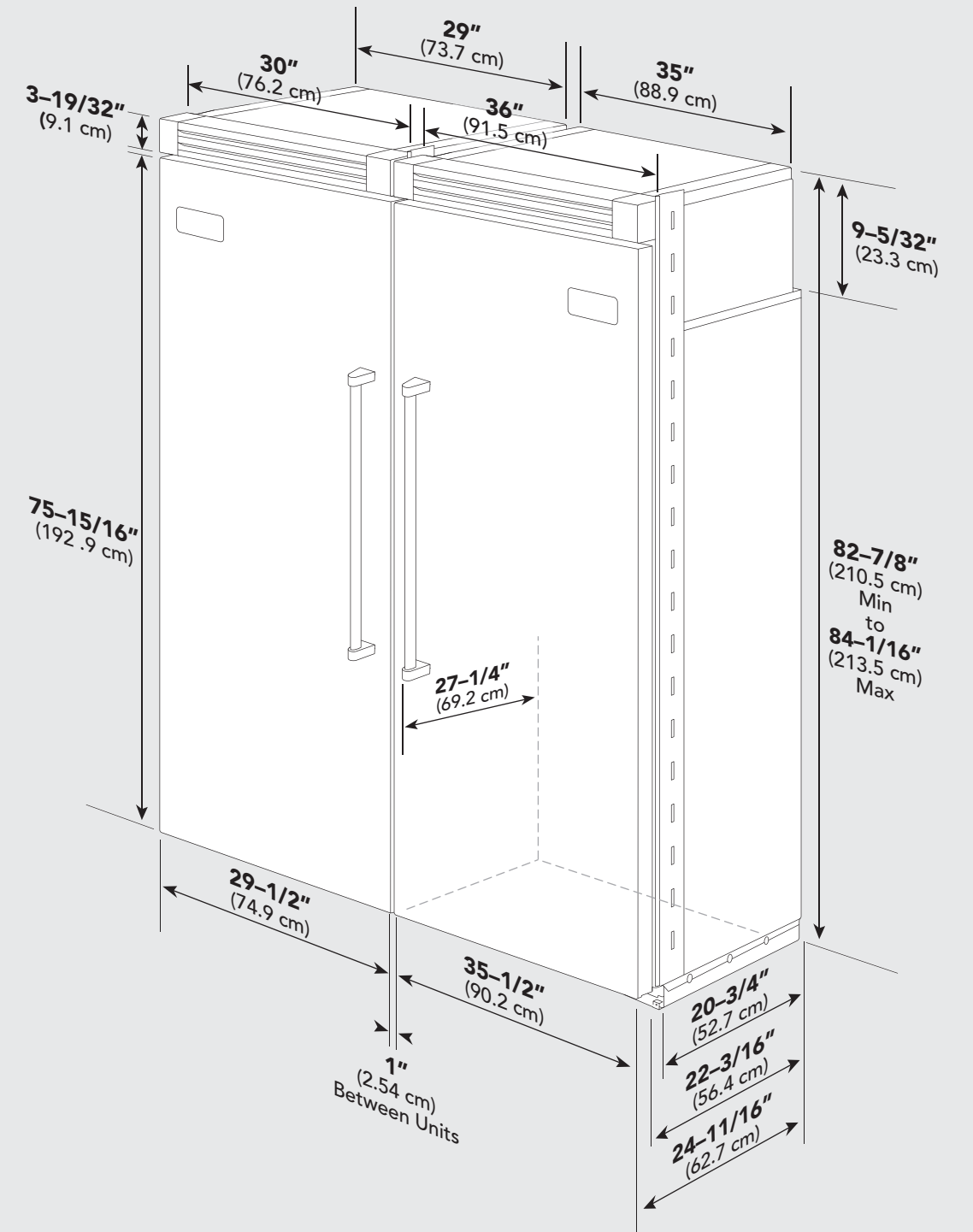
Dimensions (Professional All Refrigerator/Freezer)

Dual 30" Professional

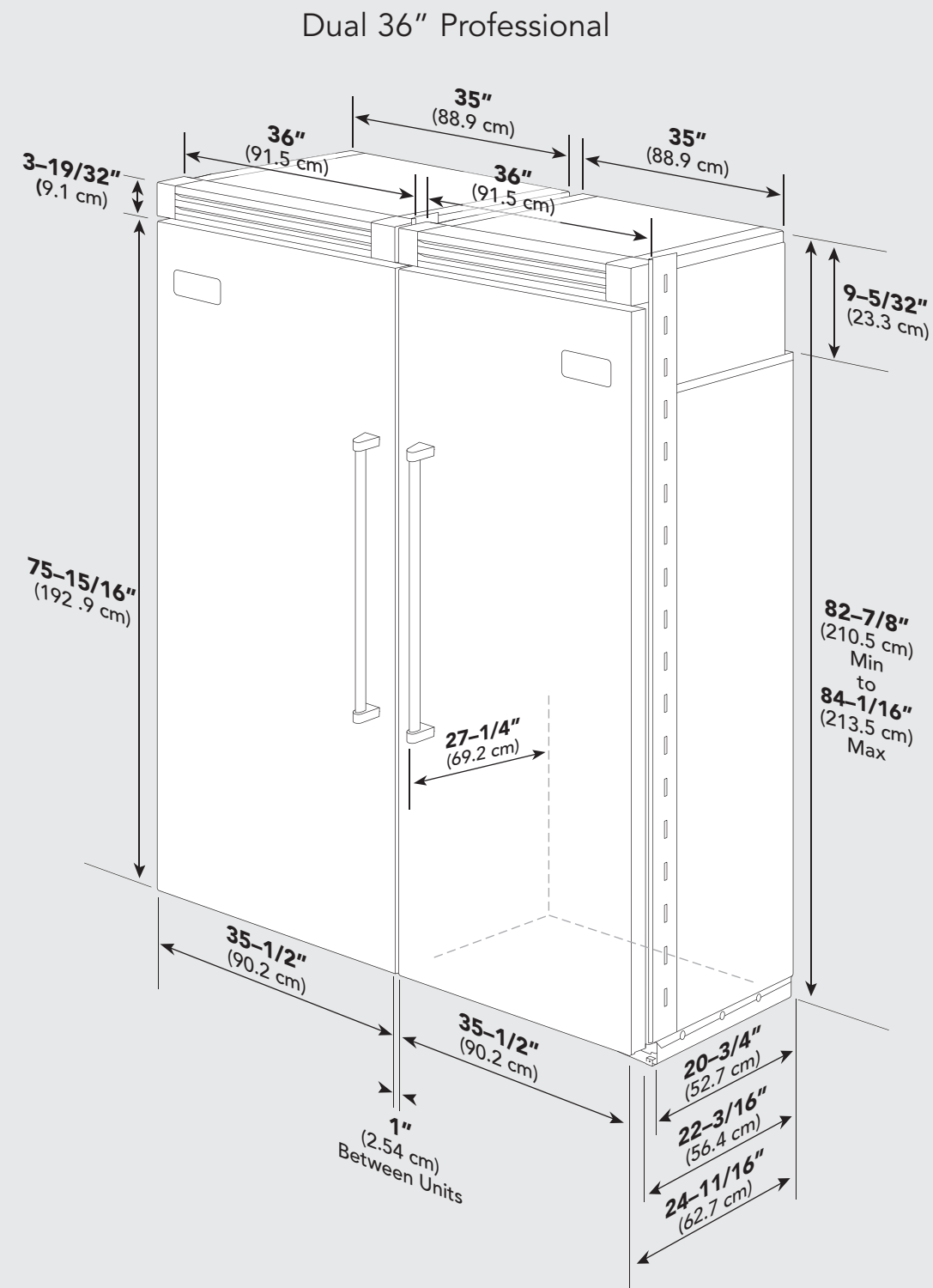


Dimensions (Professional All Refrigerator/Freezer)

Dual 30" and 36" Professional



Dimensions (Professional All Refrigerator/Freezer)

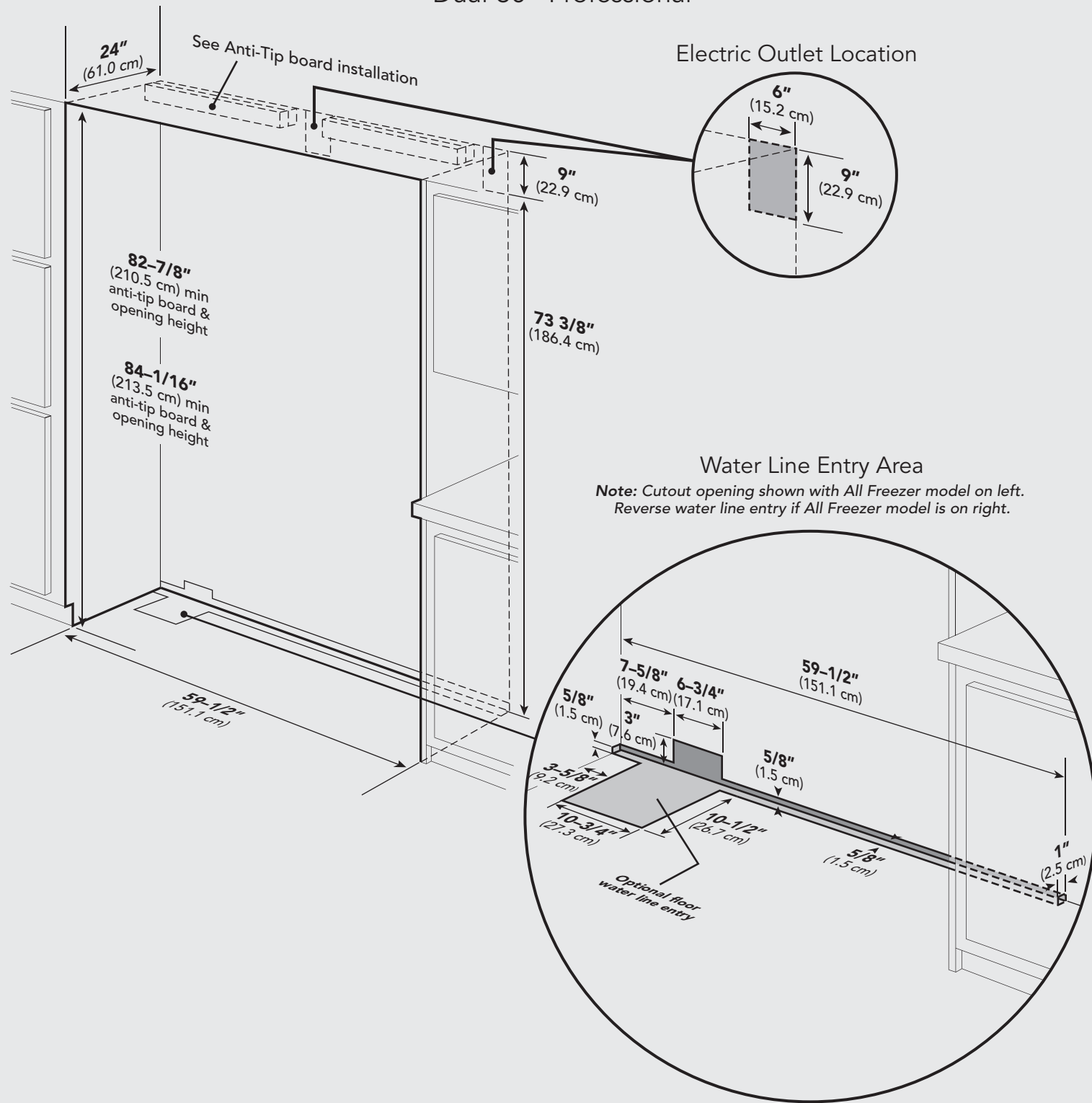


Specifications (Professional All Refrigerator/Freezer)

| Dual All Refrigerator/Freezer | | | |
|---|--|------------------------|--------------------|
| Description | (2) 30" Units | (1) 36" & (1) 30" Unit | (2) 36" Units |
| Overall Width | 60" (152.4 cm) | 66" (167.6 cm) | 72" (182.9 cm) |
| Overall Height from Bottom | Min. 82 3/4" (210.2 cm) to Max. 84 1/16" (213.5 cm) | | |
| Overall Depth from Rear | To front edge of side trim: 22 3/16" (56.4 cm) To front of top grille: 24 11/16" (62.7 cm) To front of handle endcap: 27 1/4" (69.2 cm) | | |
| Cutout Width | 59 1/2" (151.1 cm) | 65 1/2" (166.4 cm) | 71 1/2" (181.6 cm) |
| Cutout Height | Min. 82 7/8" (210.5 cm) to Max. 84 1/16" (213.5 cm) | | |
| Cutout Depth | Min. 24" (61.0 cm) | | |
| Electrical Requirements | (2) 115 volt, 60 Hz, 15 amp dedicated circuit; 3-wire cord with grounded 3-prong plug attached to product | | |
| Maximum Amp Usage | 9.9 amps per unit | | |
| Inlet Water Requirements (All Freezer Only) | 1/4" copper tubing inlet waterline; minimum 20 psi; maximum 120 psi | | |
| Overall Interior Dimensions | <ul style="list-style-type: none"> 30" Freezer 15.9 cu. ft. (450 liters) 30" Refrigerator 18.2 cu. ft. (516 liters) 36" Freezer 19.1 cu. ft. (541 liters) 36" Refrigerator 22.8 cu. ft. (646 liters) | | |
| Approximate Shipping Weight | 30" Freezer or Refrigerator 425 lbs. (193.2 kg) 36" Freezer or Refrigerator 500 lbs. (227.3 kg) | | |

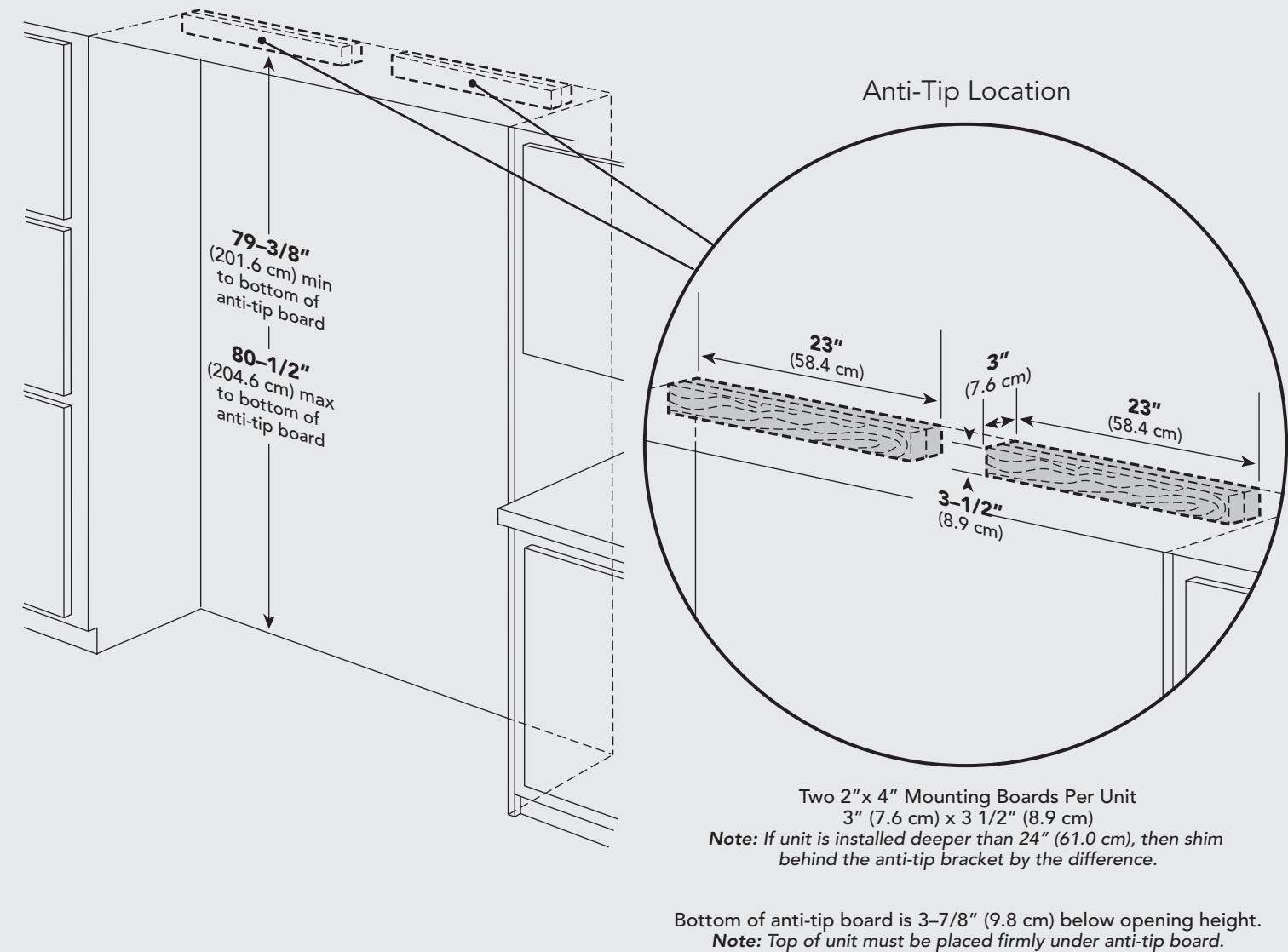
Cutout Dimensions (Professional All Refrigerator/Freezer)

Dual 30" Professional



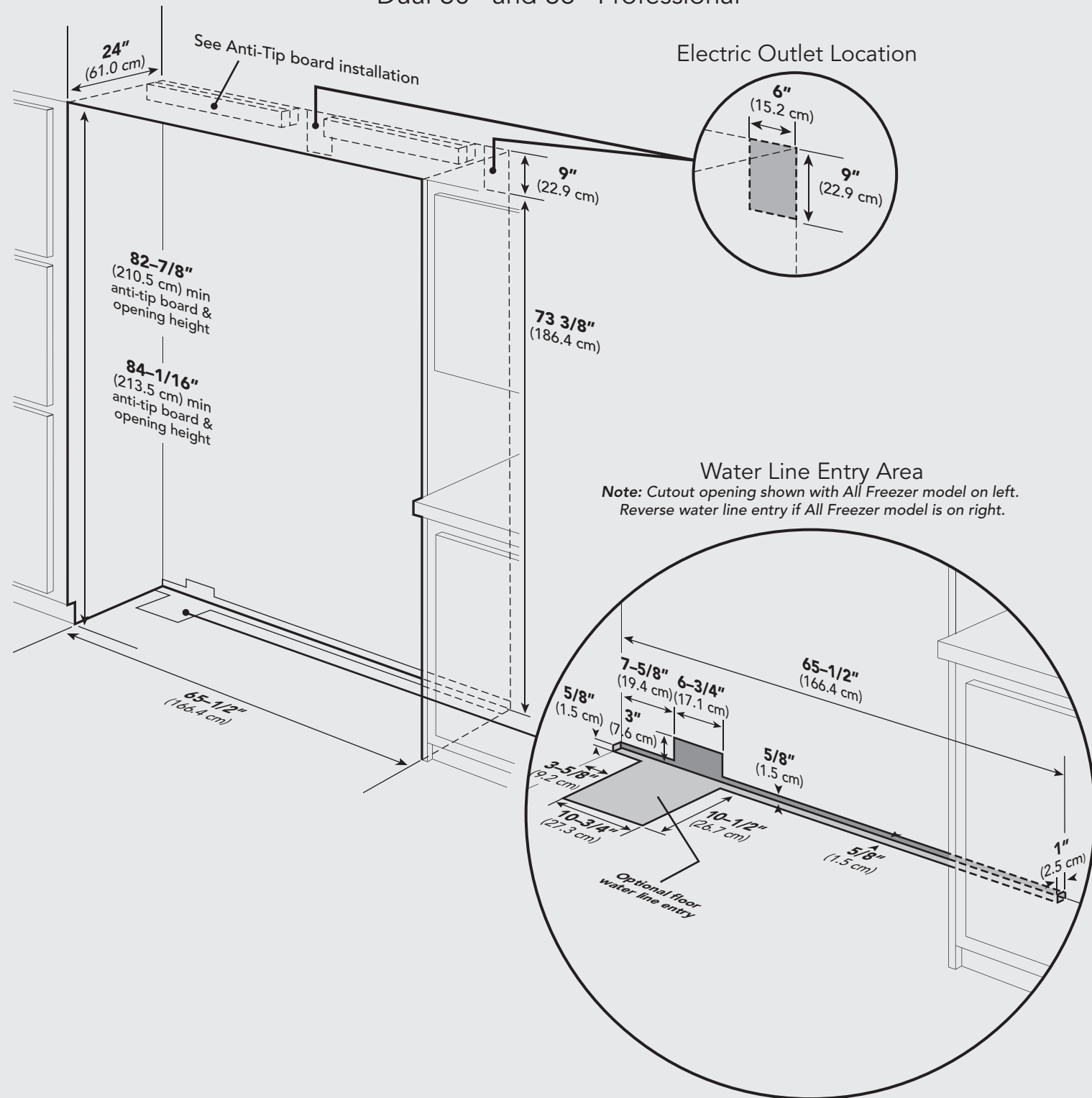
Anti-Tip Dimensions (Professional All Refrigerator/Freezer)

Dual 30" Professional



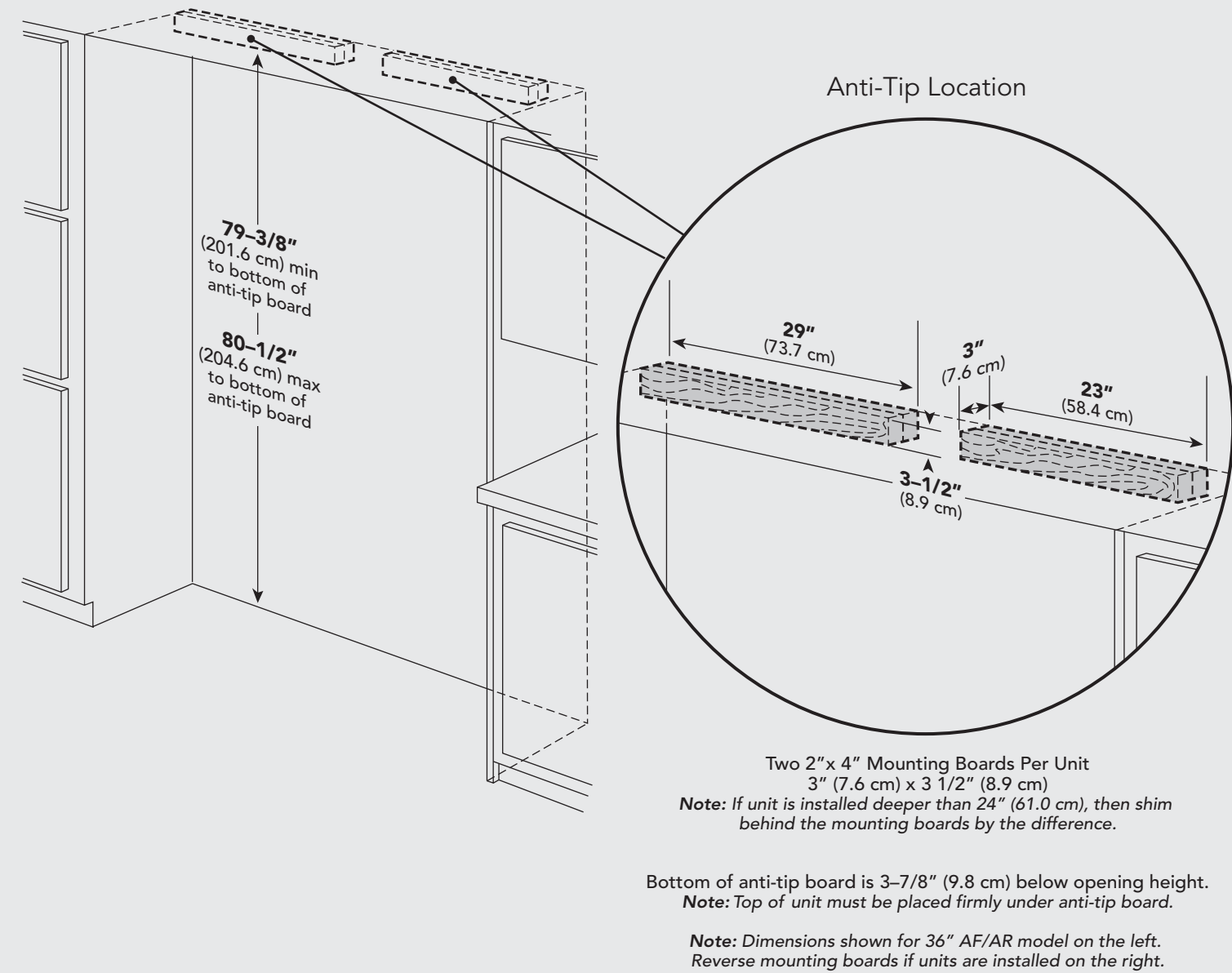
Cutout Dimensions (Professional All Refrigerator/Freezer)

Dual 30" and 36" Professional



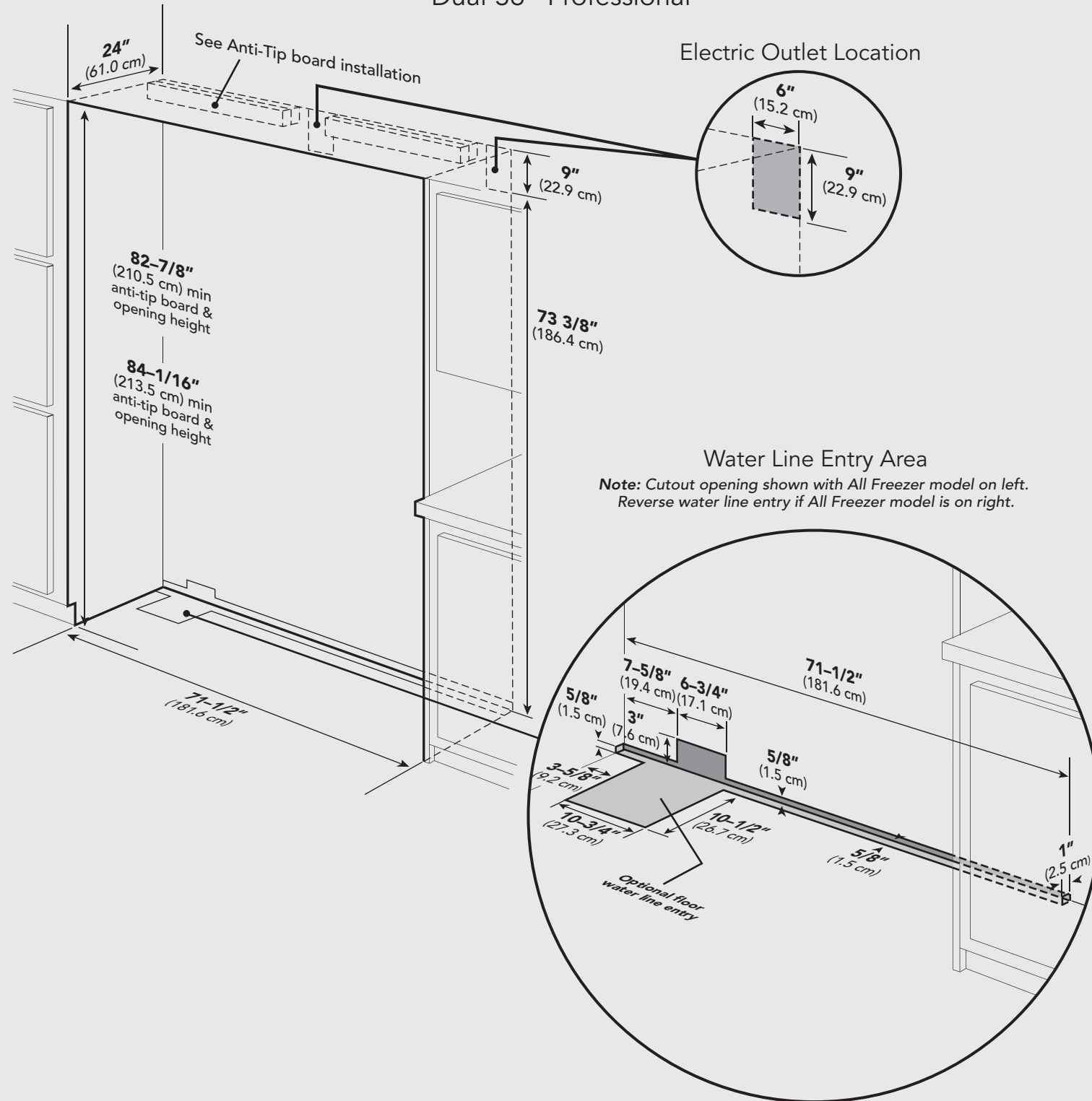
Anti-Tip Dimensions (Professional All Refrigerator/Freezer)

Dual 30" and 36" Professional



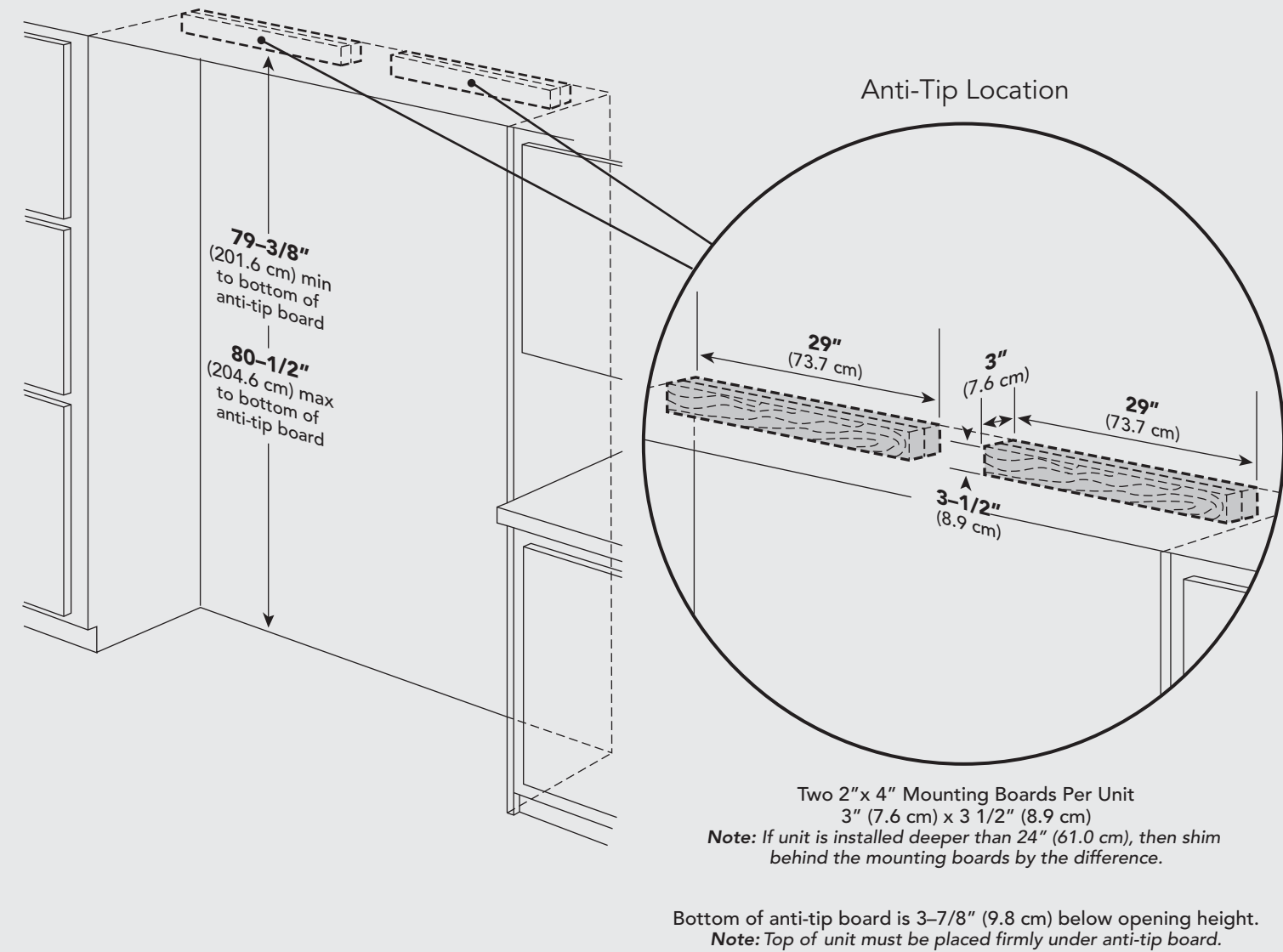
Cutout Dimensions (Professional All Refrigerator/Freezer)

Dual 36" Professional



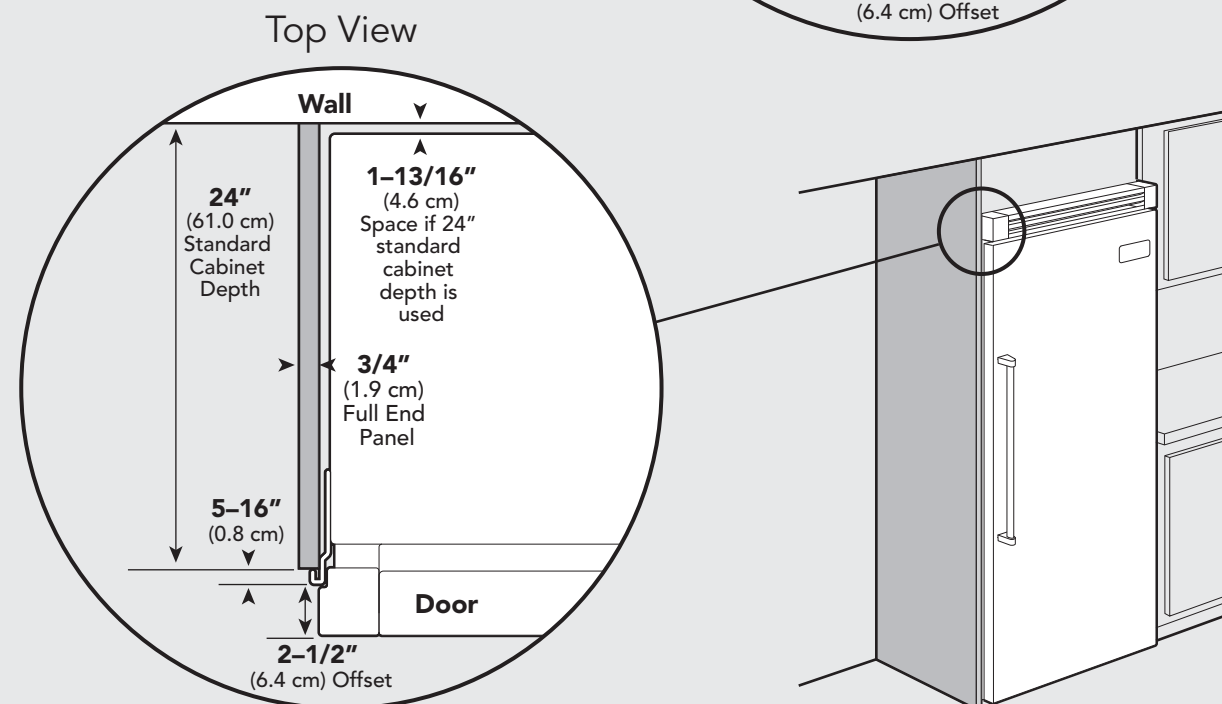
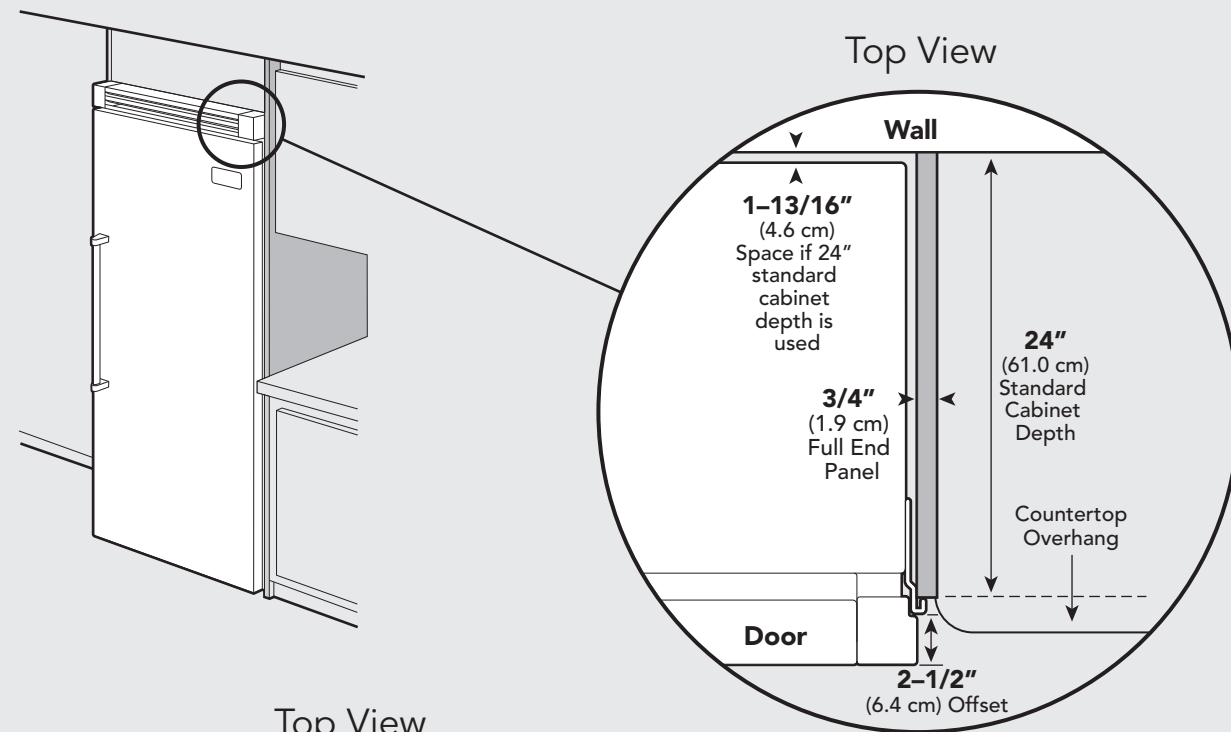
Anti-Tip Dimensions (Professional All Refrigerator/Freezer)

Dual 36" Professional



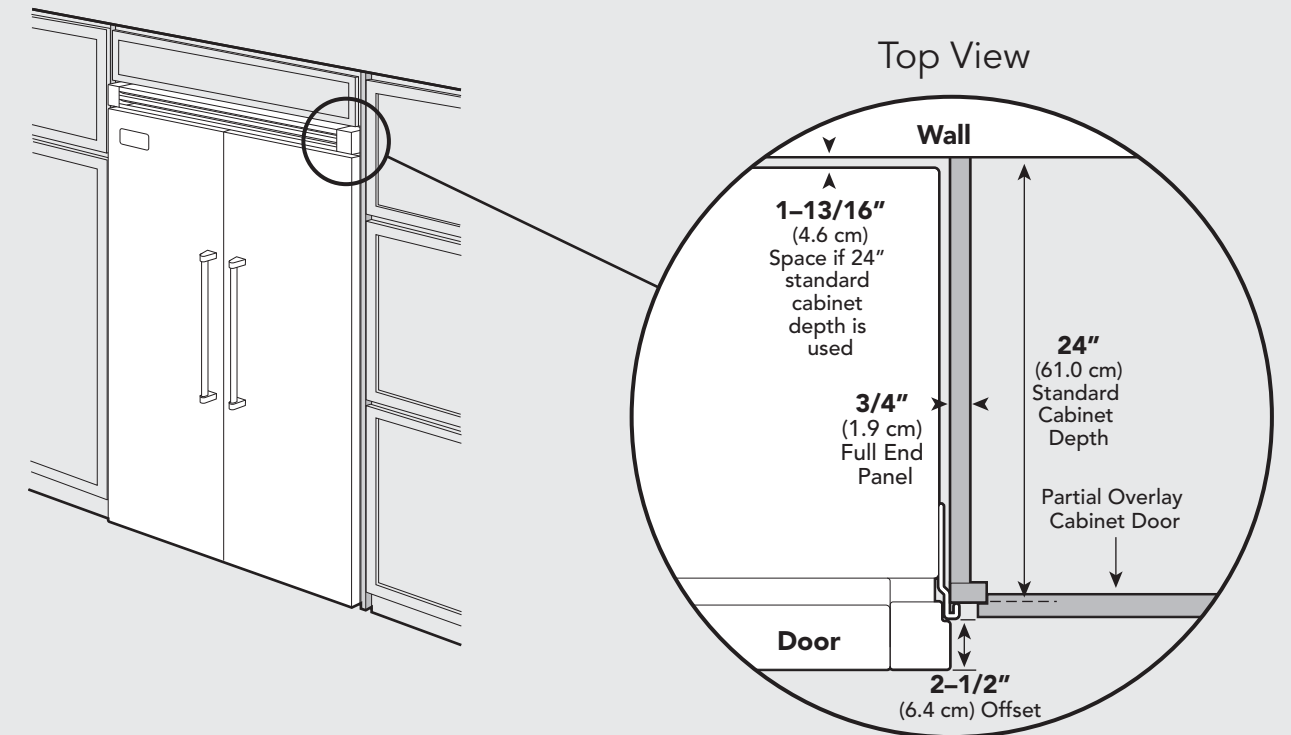
Cabinet Information (Professional)

Professional models fit "semi-flush" in standard 24" (61.0 cm) deep cabinet openings. The door face protrudes 2-1/2" (6.4 cm) from the cabinet face. The handle protrudes an additional 2-1/2" (6.4 cm) into the room.

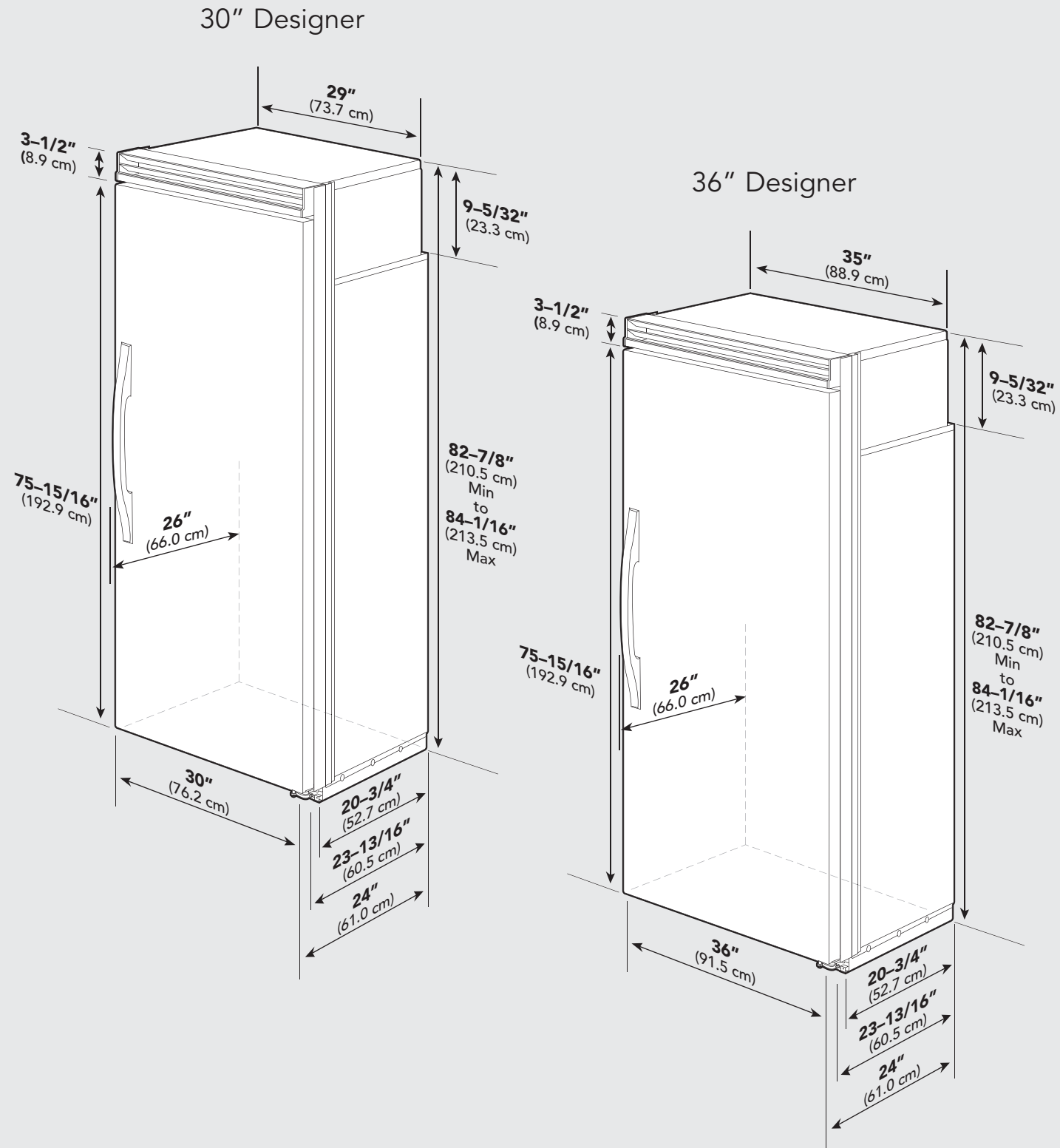


Cabinet Information (Professional)

Professional models fit "semi-flush" in standard 24" (61.0 cm) deep cabinet openings. The door face protrudes 2-1/2" (6.4 cm) from the cabinet face. The handle protrudes an additional 2-1/2" (6.4 cm) into the room.



Dimensions (Designer All Refrigerator/Freezer)



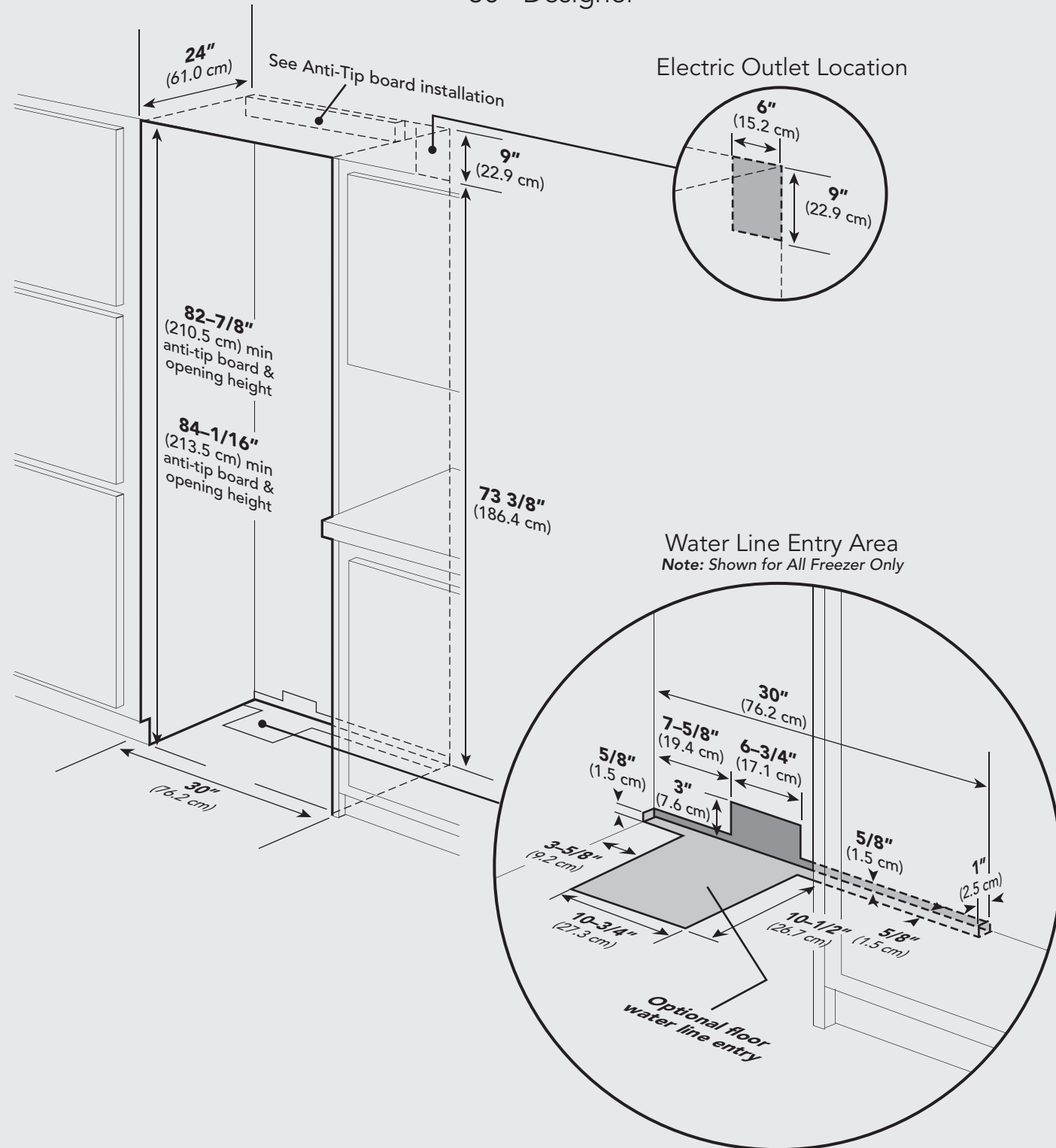
Specifications (Designer All Refrigerator/Freezer)

| 30" All Refrigerator/Freezer | | |
|------------------------------|---|---------------------------|
| Description | DDFB304 | DDRB304 |
| Overall Width | 30" (76.2 cm) | |
| Overall Height from Bottom | Min. 82 3/4" (210.2 cm) to Max. 84 1/16" (213.5 cm) | |
| Overall Depth from Rear | To front edge of side trim: | 23 13/16" (60.5 cm) |
| | To front of top grille: | 24" (61.0 cm) |
| | To front of handle: | 26" (66.0 cm) |
| Cutout Width | 30" (76.2 cm) | |
| Cutout Height | Min. 82 7/8" (210.5 cm) to Max. 84 1/16" (213.5 cm) | |
| Cutout Depth | Min. 24" (61.0 cm) | |
| Electrical Requirements | 115 volt, 60 Hz, 15 amp dedicated circuit; 3-wire cord with grounded 3-prong plug attached to product | |
| Maximum Amp Usage | 9.9 amps | |
| Inlet Water Requirements | 1/4" copper tubing inlet waterline; minimum 20 psi; maximum 120 psi | N/A |
| Overall Interior Dimensions | | |
| Total Capacity | 15.9 cu. ft. (450 liters) | 18.2 cu. ft. (516 liters) |
| Approximate Shipping Weight | 425 lbs. (193.2 kg) | |

| 36" All Refrigerator/Freezer | | |
|------------------------------|---|---------------------------|
| Description | DDFB364 | DDRB364 |
| Overall Width | 36" (91.5 cm) | |
| Overall Height from Bottom | Min. 82 3/4" (210.2 cm) to Max. 84 1/16" (213.5 cm) | |
| Overall Depth from Rear | To front edge of side trim: | 23 13/16" (60.5 cm) |
| | To front of top grille: | 24" (61.0 cm) |
| | To front of handle: | 26" (66.0 cm) |
| Cutout Width | 36" (91.5 cm) | |
| Cutout Height | Min. 82 7/8" (210.5 cm) to Max. 84 1/16" (213.5 cm) | |
| Cutout Depth | Min. 24" (61.0 cm) | |
| Electrical Requirements | 115 volt, 60 Hz, 15 amp dedicated circuit; 3-wire cord with grounded 3-prong plug attached to product | |
| Maximum Amp Usage | 9.9 amps | |
| Inlet Water Requirements | 1/4" copper tubing inlet waterline; minimum 20 psi; maximum 120 psi | N/A |
| Overall Interior Dimensions | | |
| Total Capacity | 19.1 cu. ft. (541 liters) | 22.8 cu. ft. (646 liters) |
| Approximate Shipping Weight | 500 lbs. (227.3 kg) | |

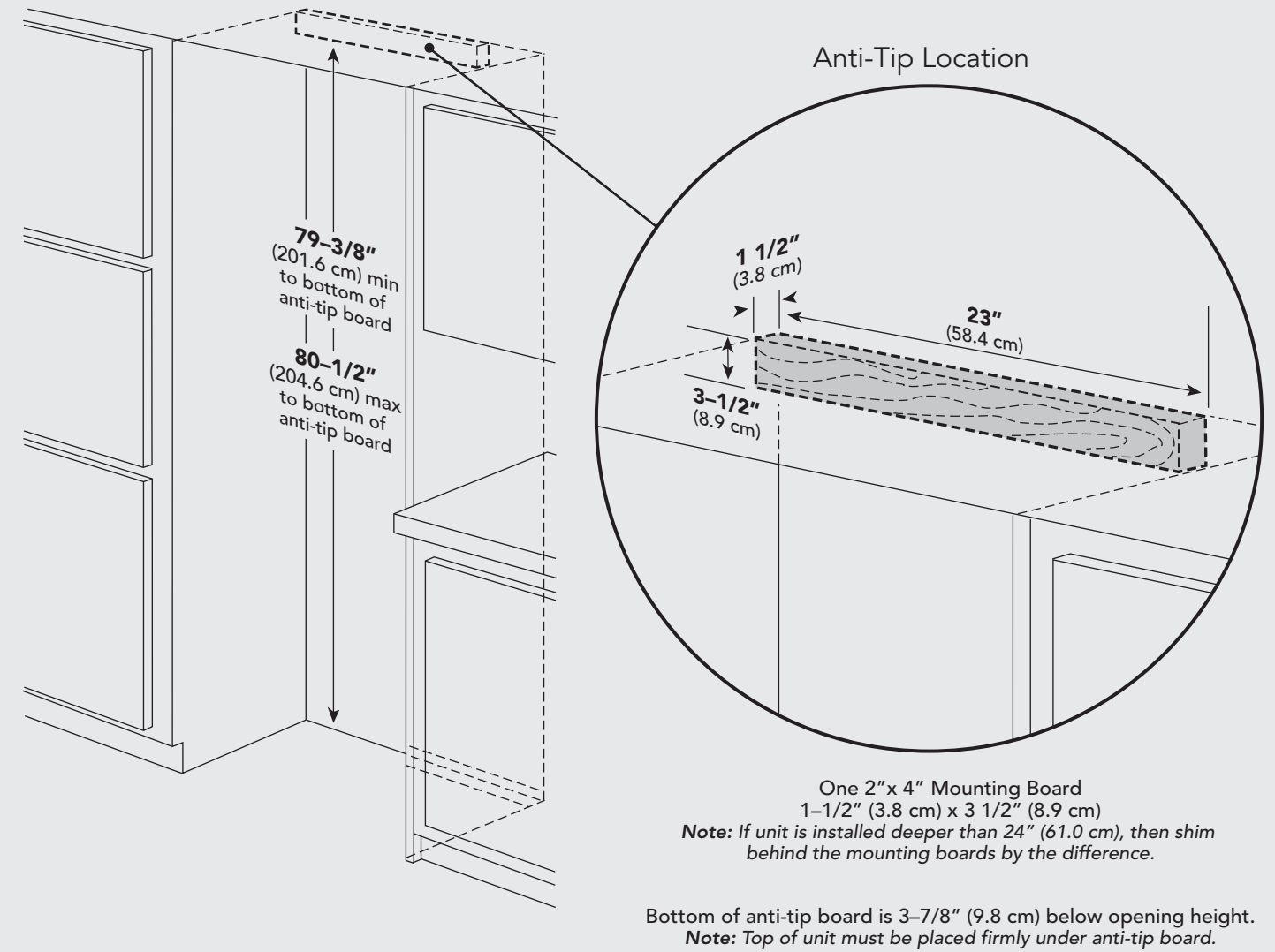
Cutout Dimensions (Designer All Refrigerator/Freezer)

30" Designer



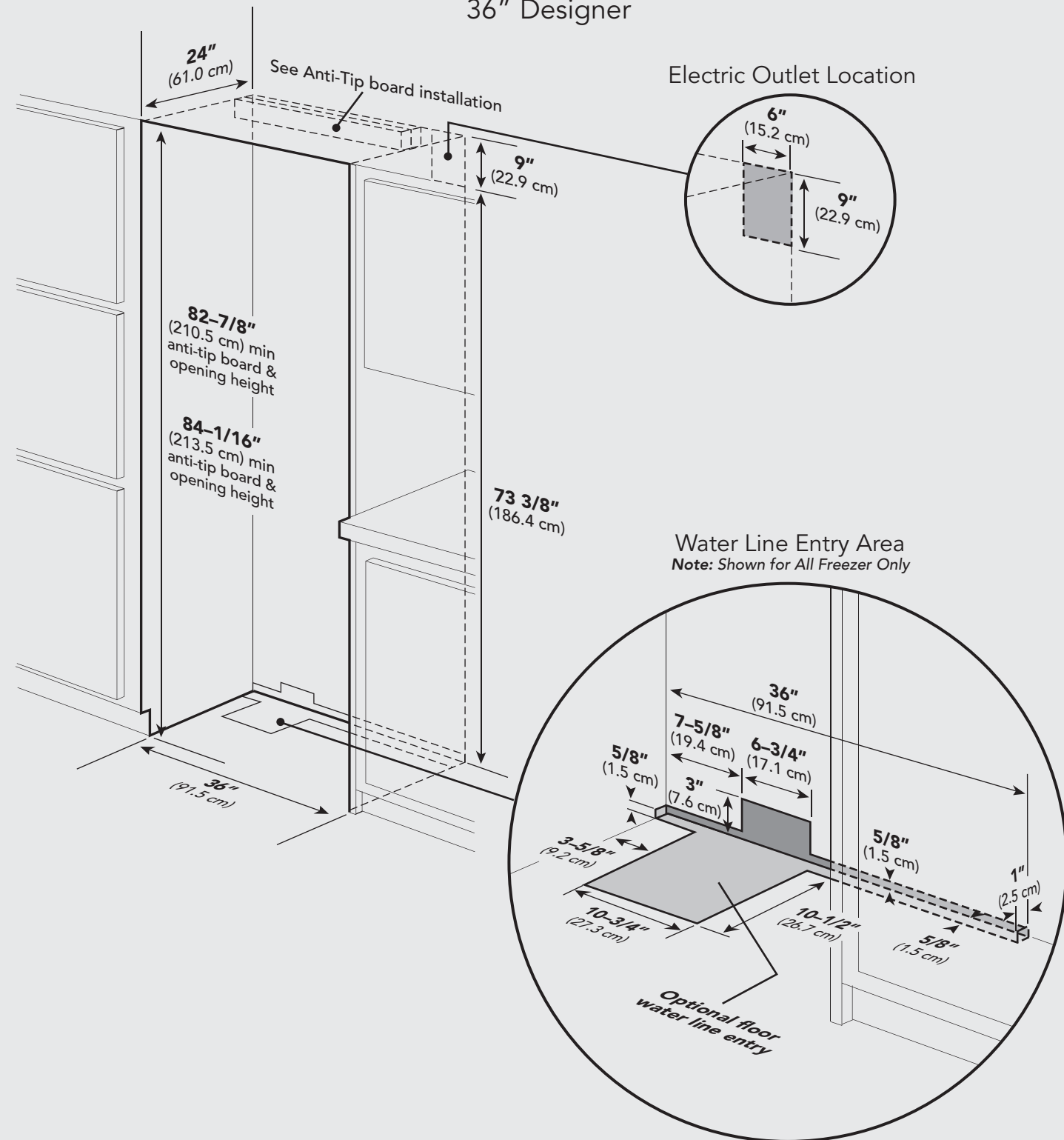
Anti-Tip Dimensions (Designer All Refrigerator/Freezer)

30" Designer



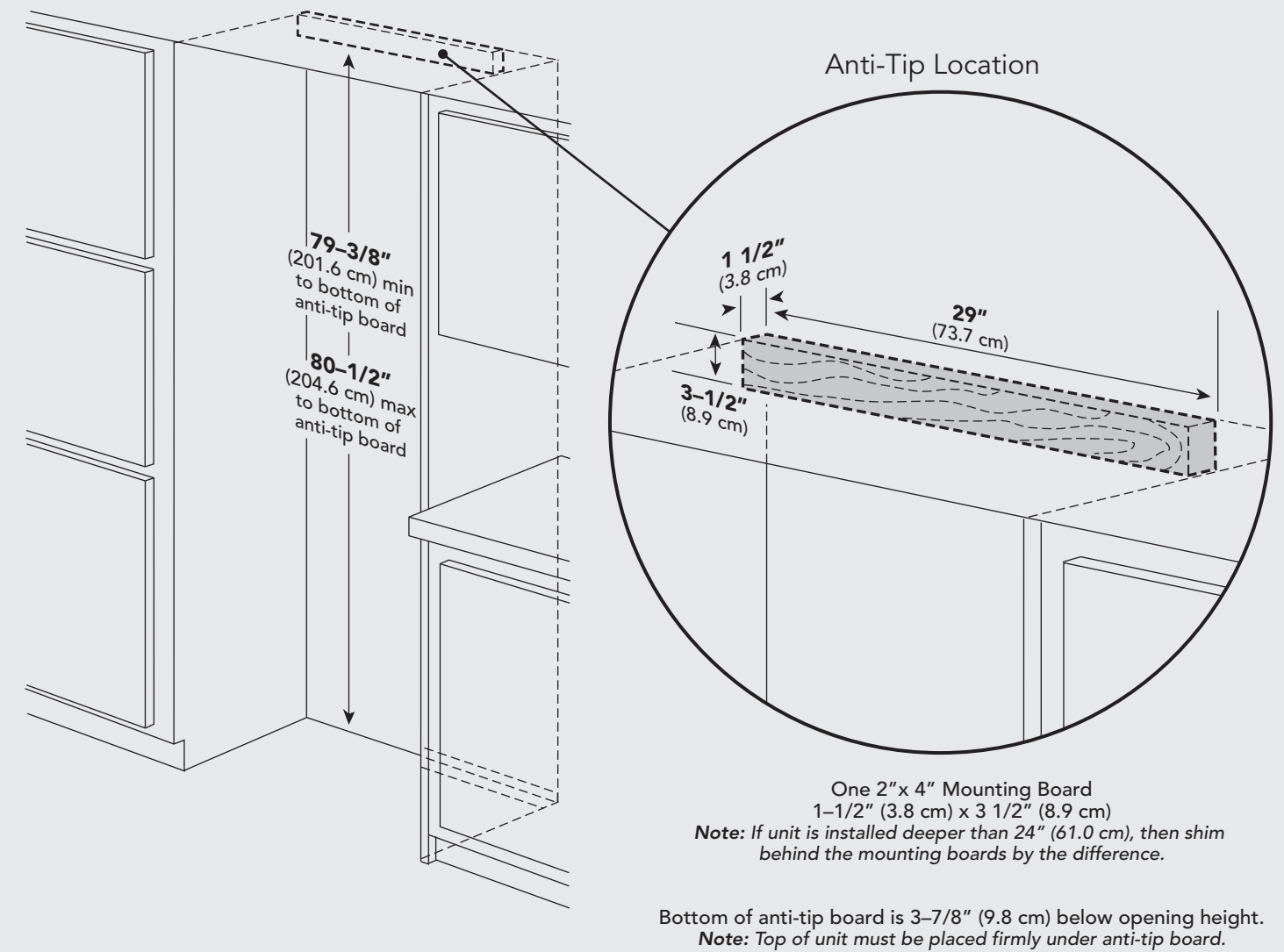
Cutout Dimensions (Designer All Refrigerator/Freezer)

36" Designer



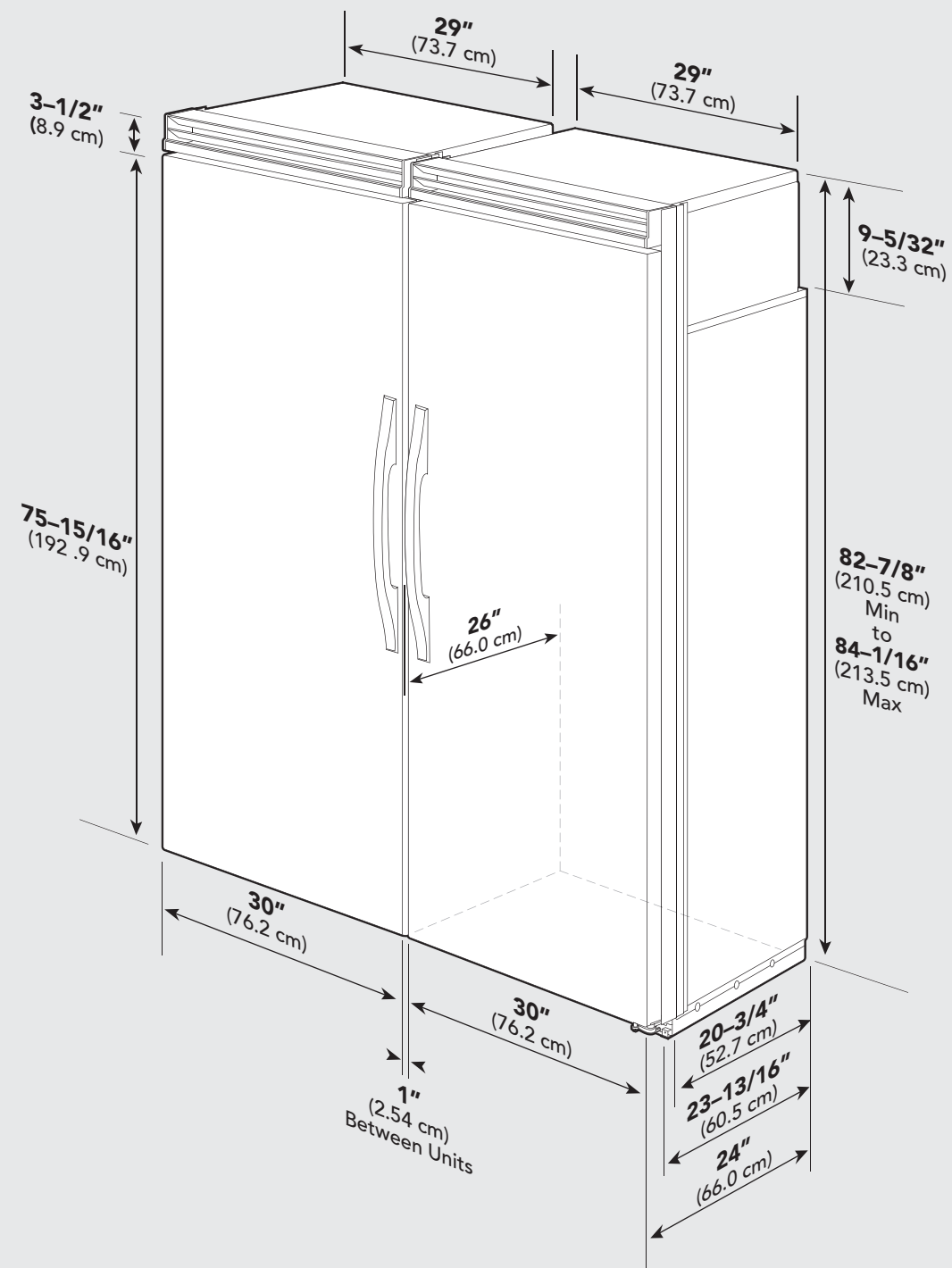
Anti-Tip Dimensions (Designer All Refrigerator/Freezer)

36" Designer



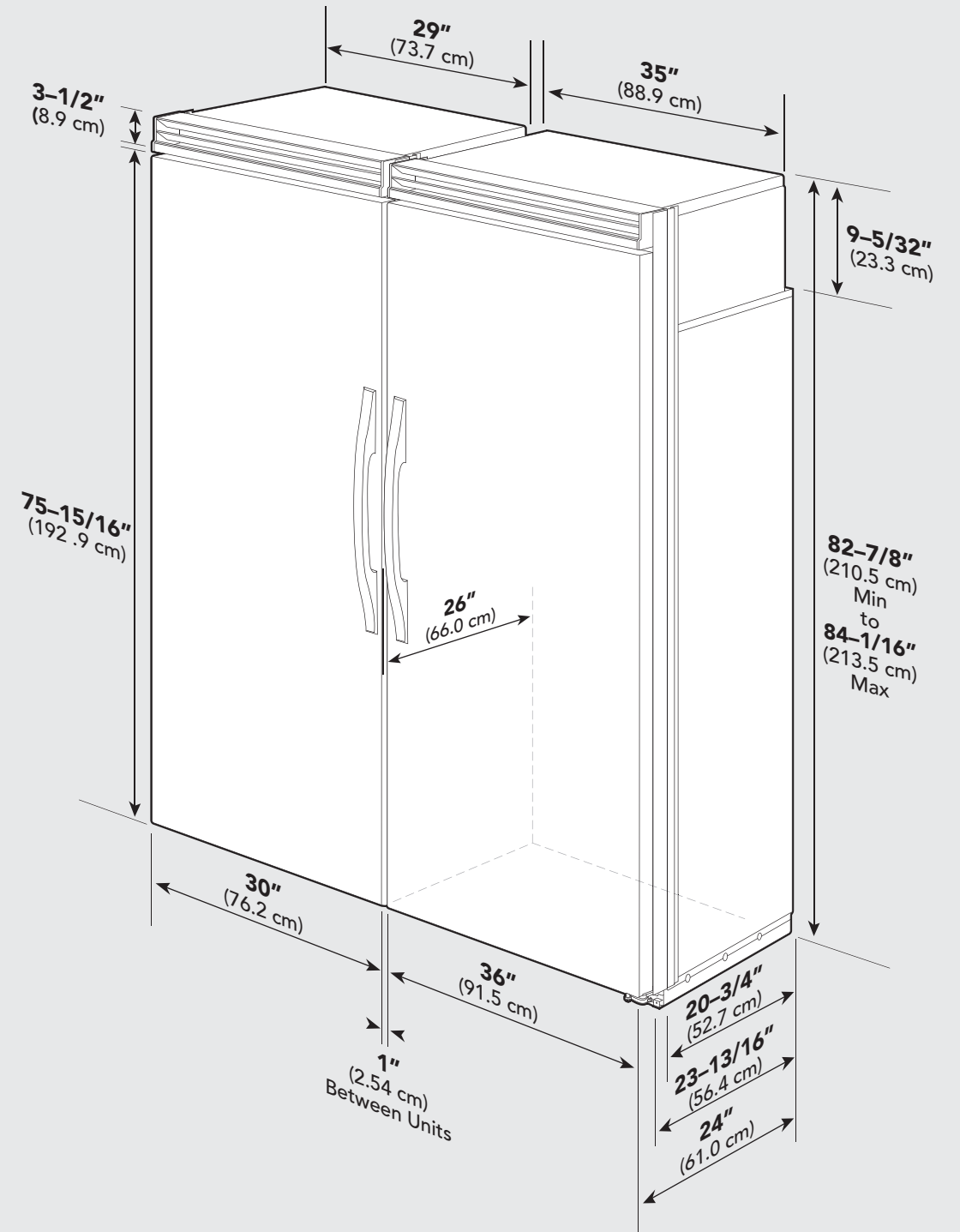
Dimensions (Designer All Refrigerator/Freezer)

Dual 30" Designer



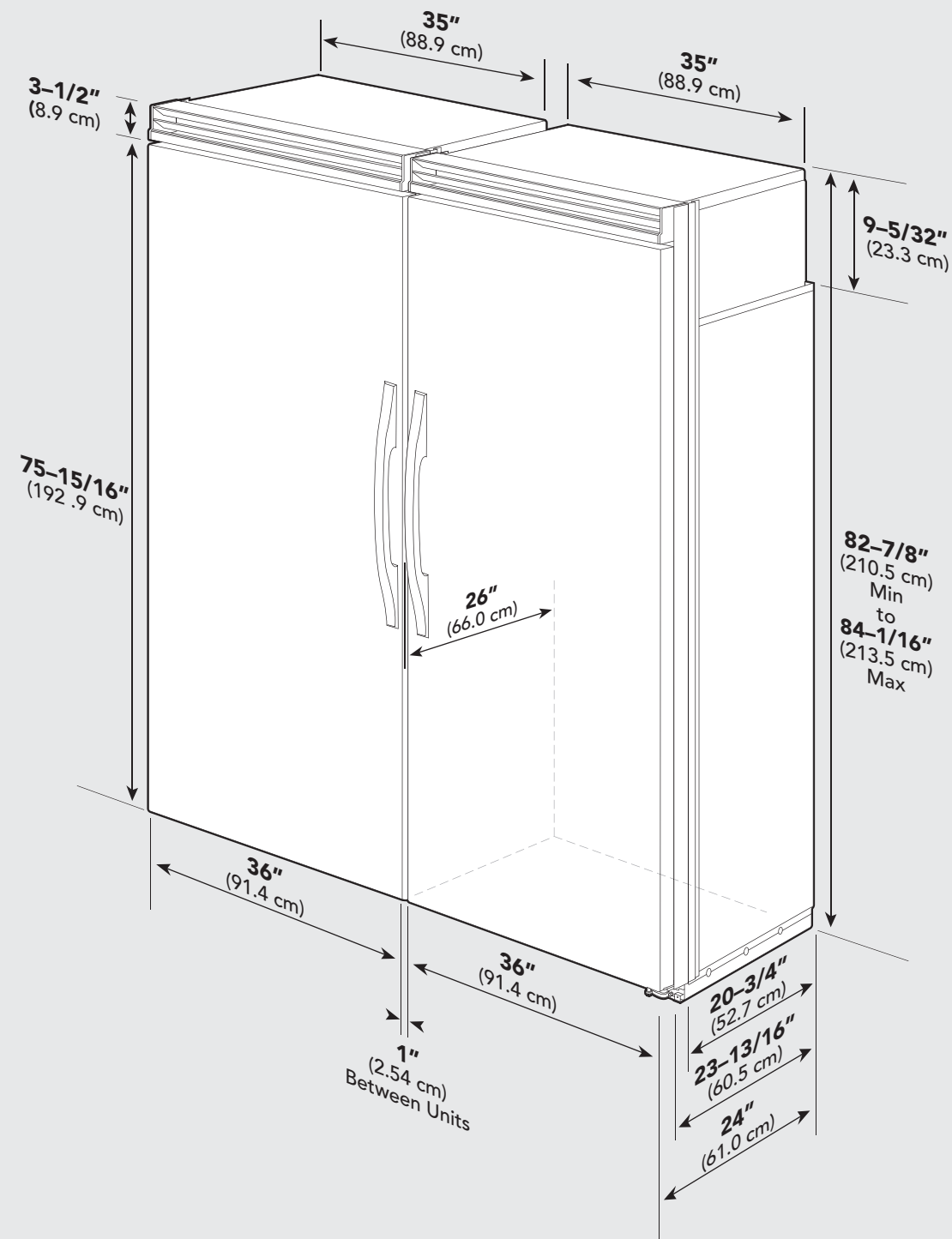
Dimensions (Designer All Refrigerator/Freezer)

Dual 30" and 36" Designer



Dimensions (Designer All Refrigerator/Freezer)

Dual 36" Designer

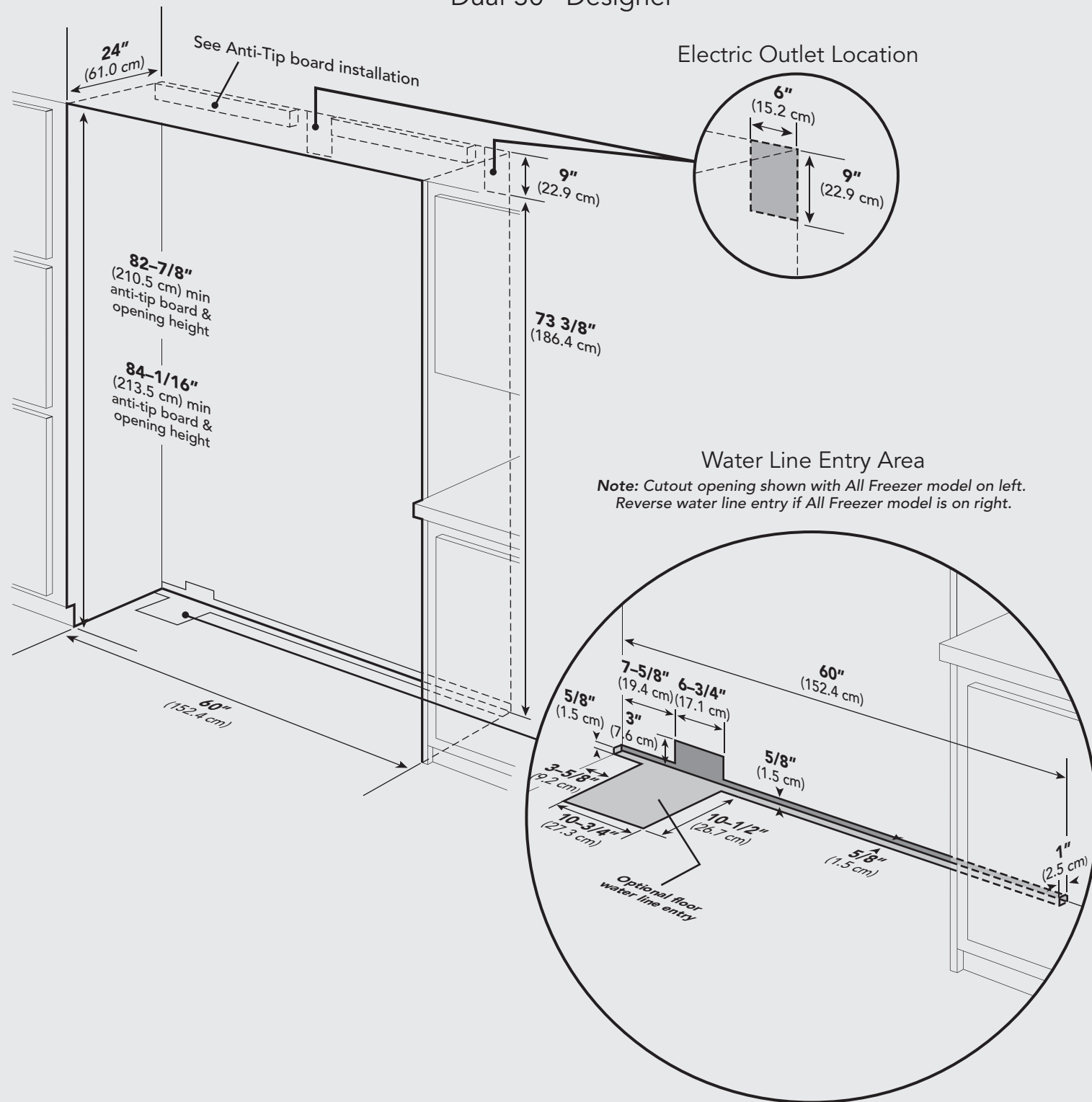


Specifications (Designer All Refrigerator/Freezer)

| Dual All Refrigerator/Freezer | | | |
|---|--|------------------------|----------------|
| Description | (2) 30" Units | (1) 36" & (1) 30" Unit | (2) 36" Units |
| Overall Width | 60" (152.4 cm) | 66" (167.6 cm) | 72" (182.9 cm) |
| Overall Height from Bottom | Min. 82 3/4" (210.2 cm) to Max. 84 1/16" (213.5 cm) | | |
| Overall Depth from Rear | To front edge of side trim: 23 13/16" (60.5 cm) To front of top grille: 24" (61.0 cm) To front of handle: 26" (66.0 cm) | | |
| Cutout Width | 60" (152.4 cm) | 66" (167.6 cm) | 72" (182.9 cm) |
| Cutout Height | Min. 82 7/8" (210.5 cm) to Max. 84 1/16" (213.5 cm) | | |
| Cutout Depth | Min. 24" (61.0 cm) | | |
| Electrical Requirements | (2) 115 volt, 60 Hz, 15 amp dedicated circuit; 3-wire cord with grounded 3-prong plug attached to product | | |
| Maximum Amp Usage | 9.9 amps per unit | | |
| Inlet Water Requirements (All Freezer Only) | 1/4" copper tubing inlet waterline; minimum 20 psi; maximum 120 psi | | |
| Overall Interior Dimensions | 30" Freezer: 15.9 cu. ft. (450 liters) 30" Refrigerator: 18.2 cu. ft. (516 liters) 36" Freezer: 19.1 cu. ft. (541 liters) 36" Refrigerator: 22.8 cu. ft. (646 liters) | | |
| Approximate Shipping Weight | 30" Freezer or Refrigerator 425 lbs. (193.2 kg) 36" Freezer or Refrigerator 500 lbs. (227.3 kg) | | |

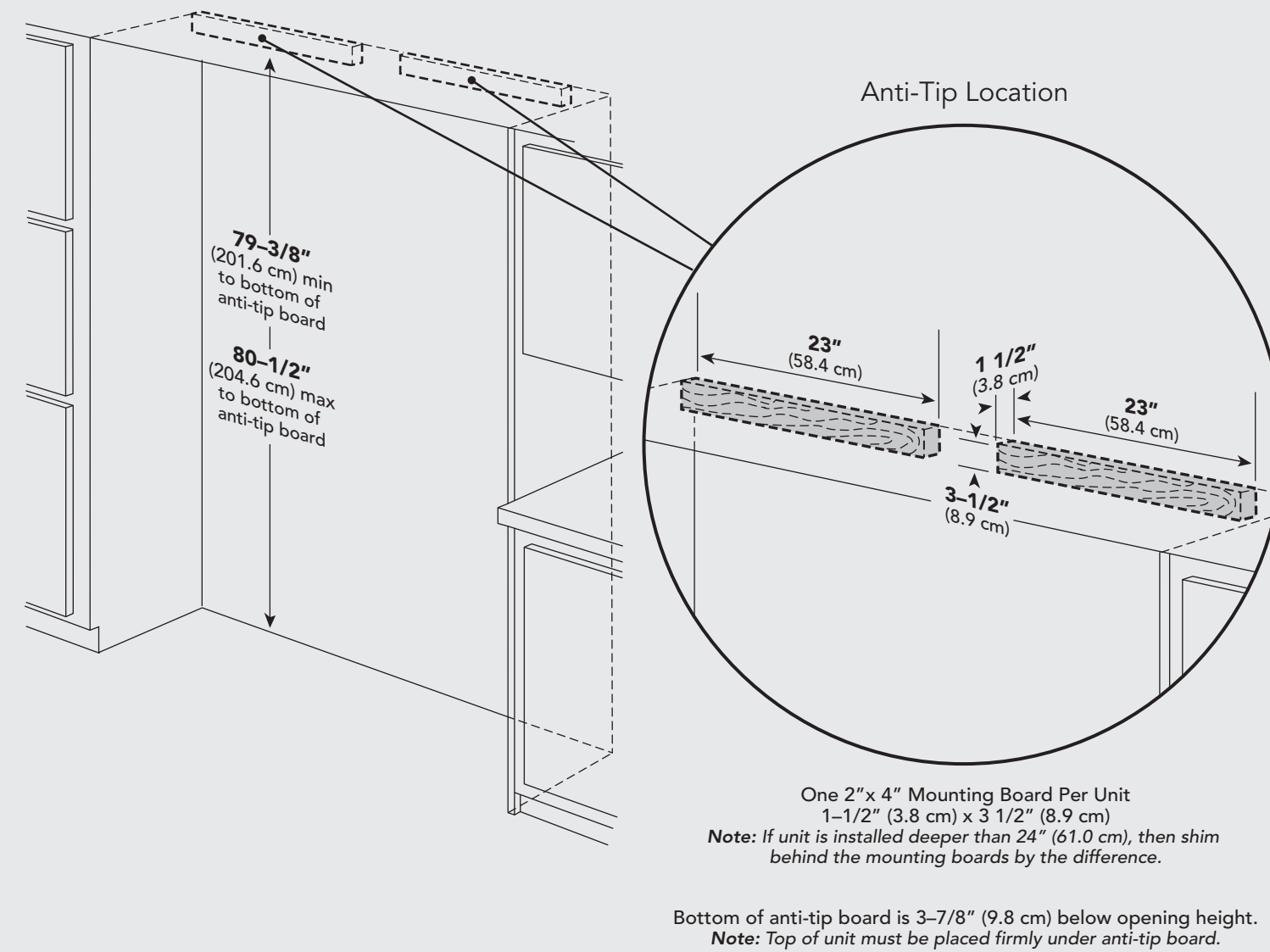
Cutout Dimensions (Designer All Refrigerator/Freezer)

Dual 30" Designer



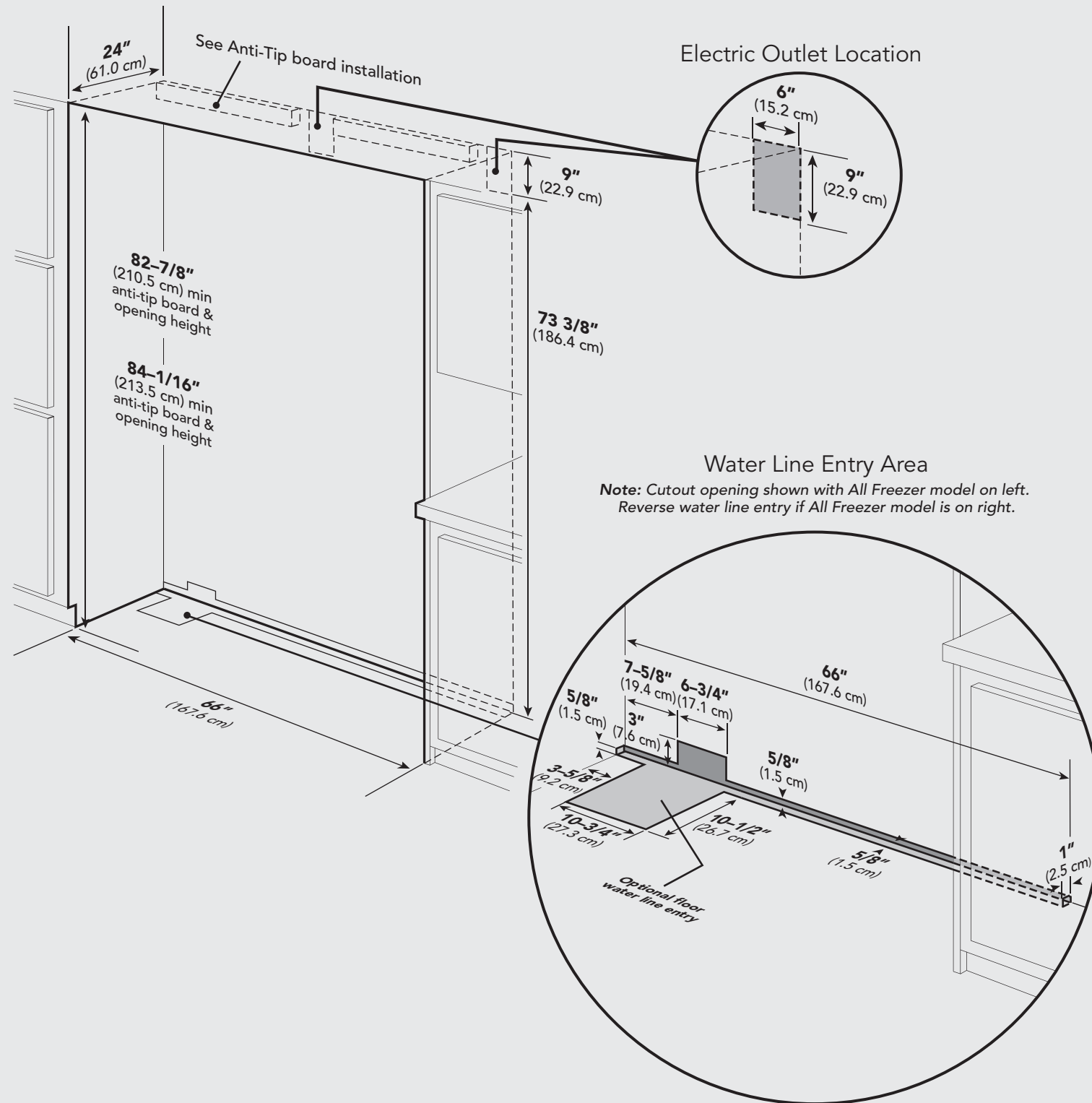
Anti-Tip Dimensions (Designer All Refrigerator/Freezer)

Dual 30" Designer



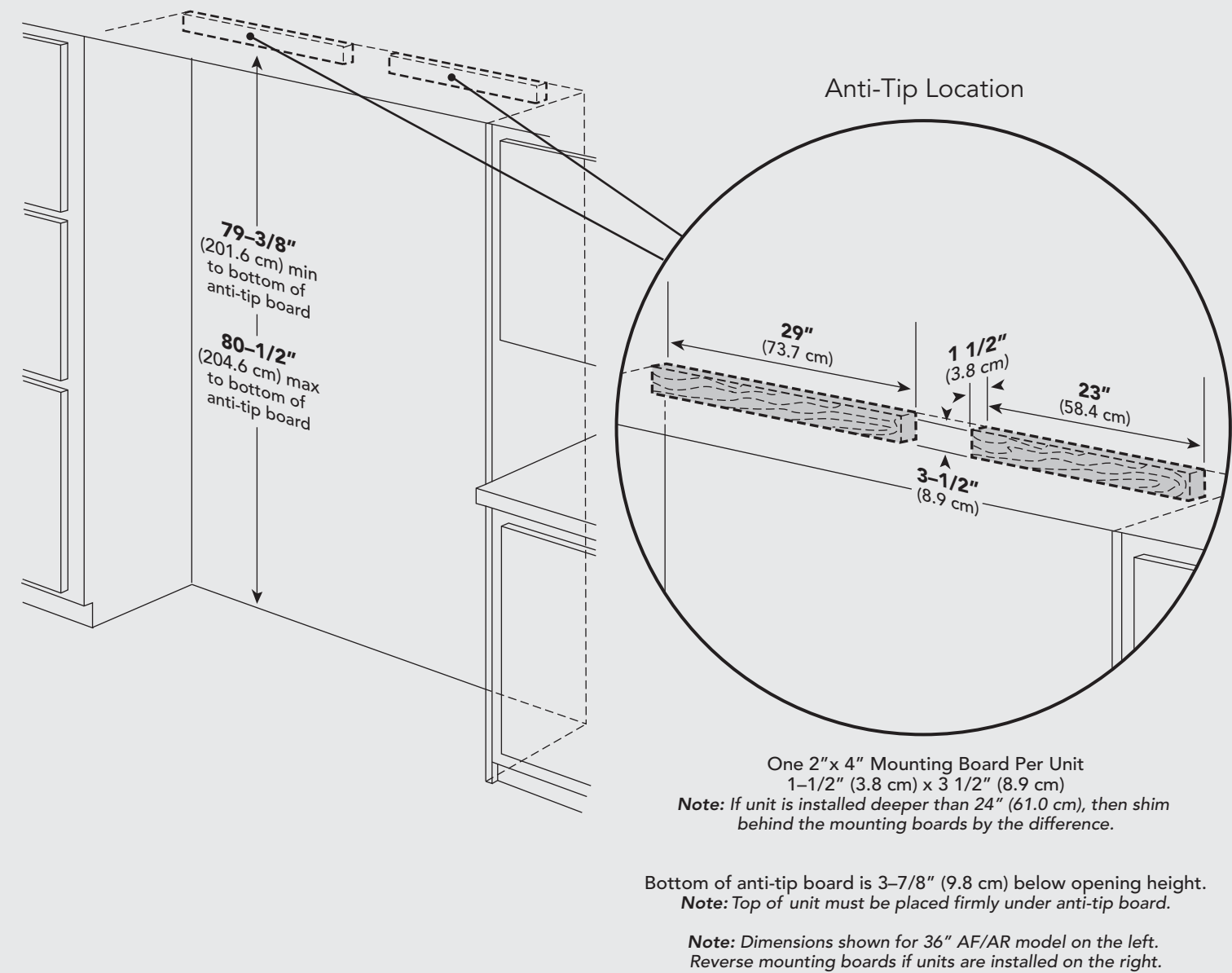
Cutout Dimensions (Designer All Refrigerator/Freezer)

Dual 30" and 36" Designer



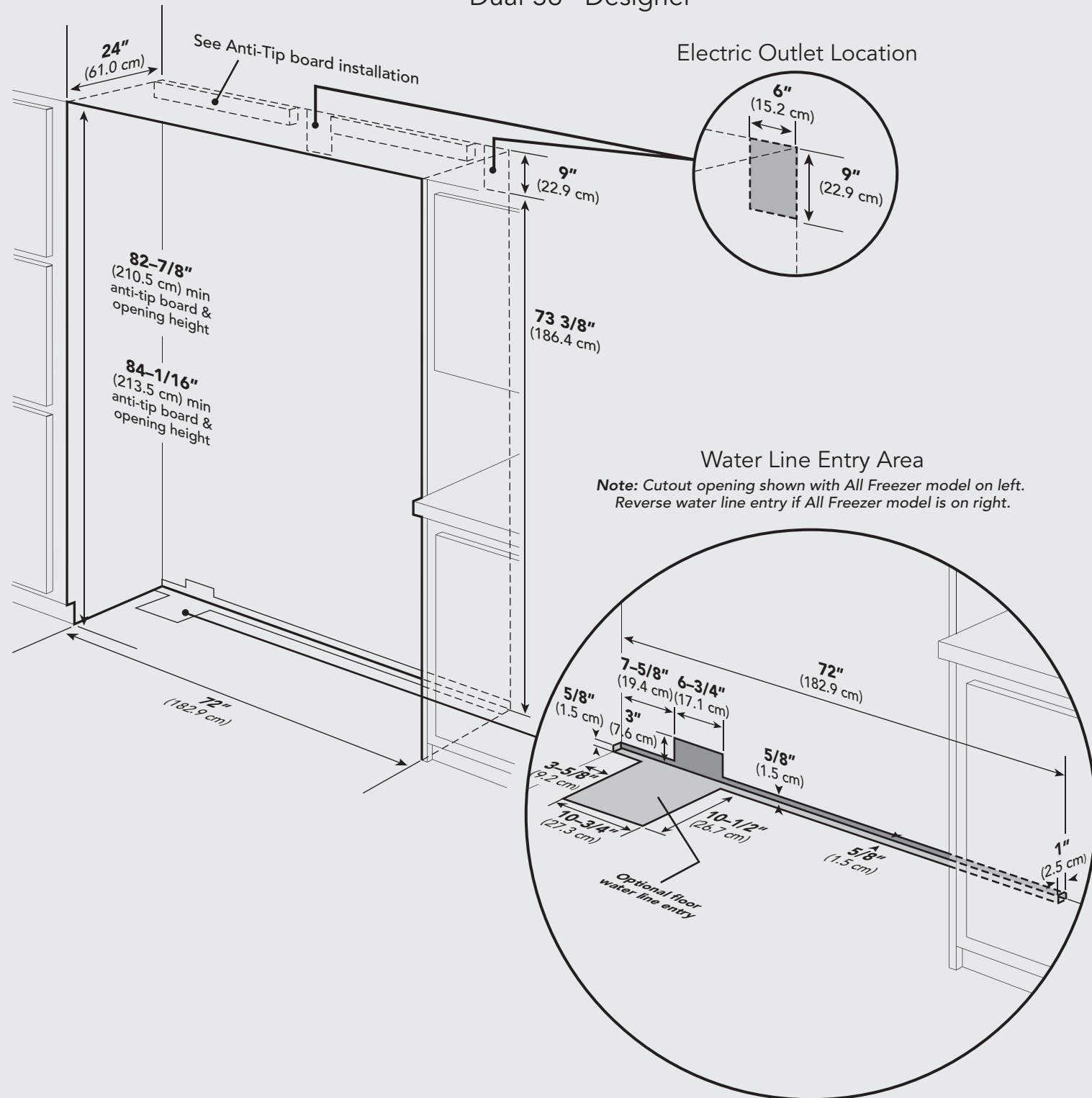
Anti-Tip Dimensions (Designer All Refrigerator/Freezer)

Dual 30" and 36" Designer



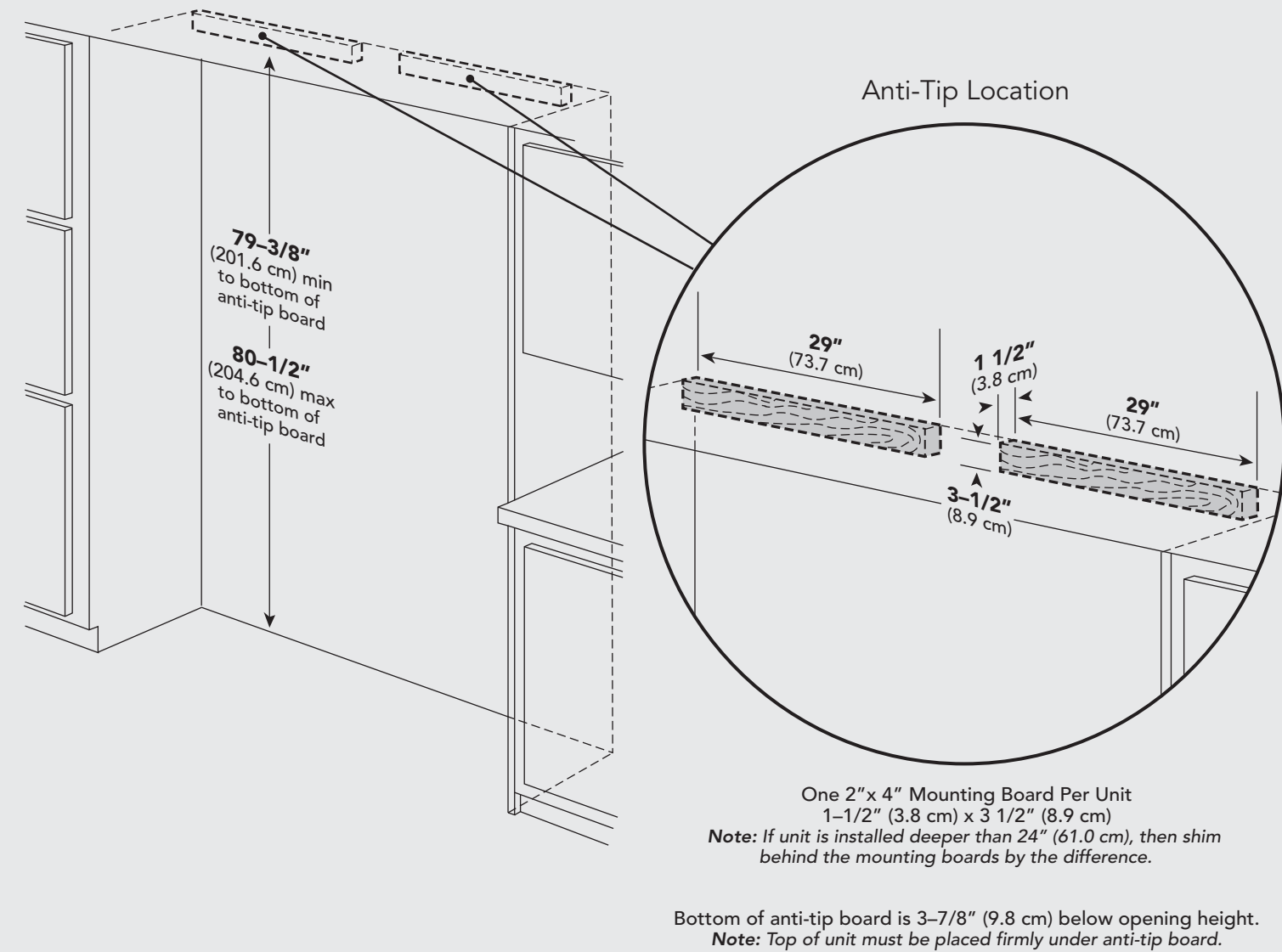
Cutout Dimensions (Designer All Refrigerator/Freezer)

Dual 36" Designer



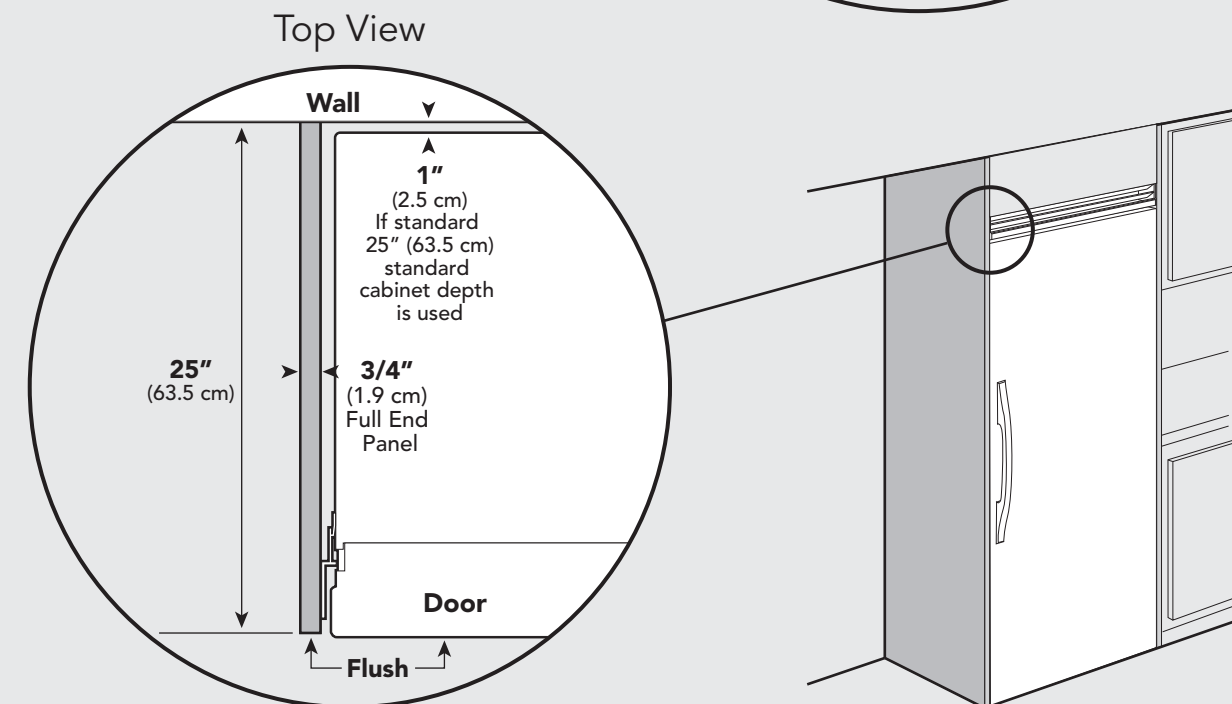
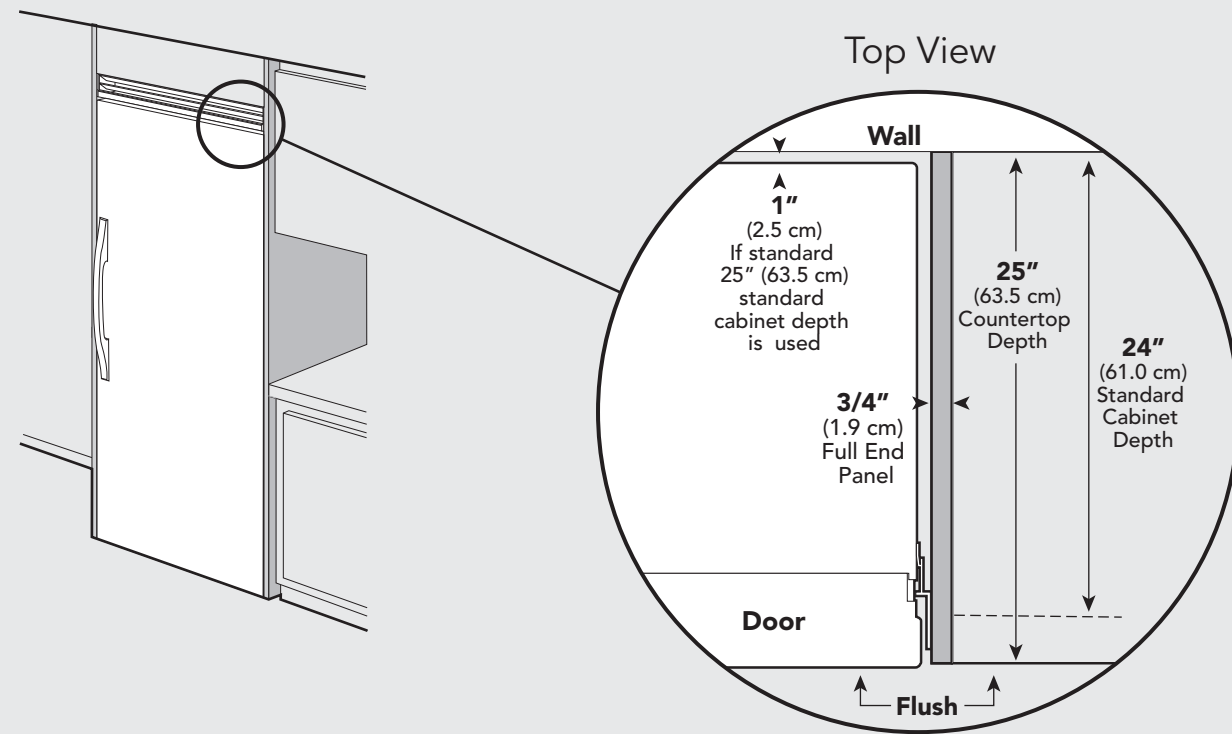
Anti-Tip Dimensions (Designer All Refrigerator/Freezer)

Dual 36" Designer



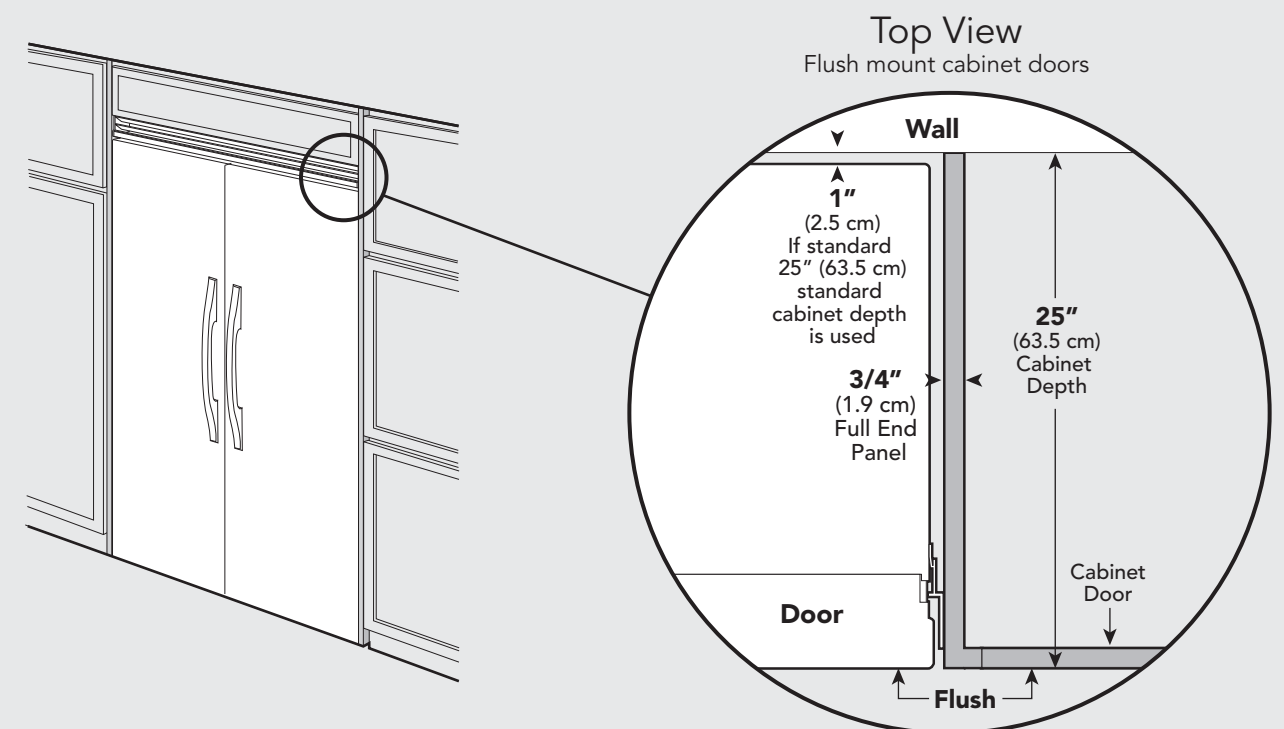
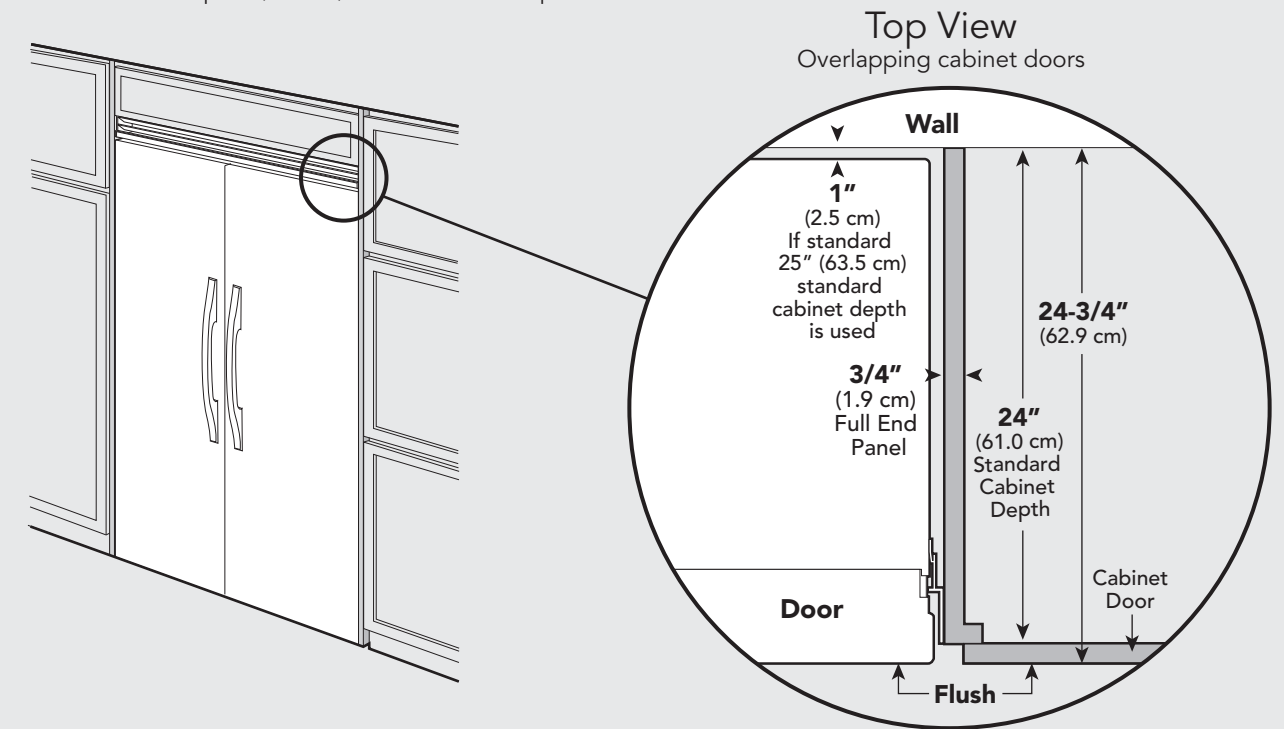
Cabinet Information (Designer)

Designer models fit flush in standard 24" (61.0 cm) deep cabinet openings with no protrusion into the room except 2" (5.1 cm) curved handle depth.



Cabinet Information (Designer)

Designer models fit flush in standard 24" (61.0 cm) deep cabinet openings with no protrusion into the room except 2" (5.1 cm) curved handle depth.



General Information

Area Requirements

Verify the following:

- Unit can fit into residence and can be moved around corners and through doorways.
- Floors can support unit's weight plus food weight (approximately 1200 pounds [540 kg] per unit).
- Rear wall is solid and is able to support two (2) horizontally mounted 2X4s (included) bolted to 2 wall studs. The 2X4 board bolt heads must be flush with 2X4 to prevent obstruction.
- Remove anything attached to rear or side walls that can obstruct unit installation.
- Cutout dimensions are accurate.
- Electrical outlet is in correct location.
- Water line is in correct location.
- Do not install a refrigeration unit near a heat source, nor in a location where the surrounding temperature will fall below 60° F (16° C).

Electrical Requirements

It is the customer's responsibility to:

- contact a qualified electrical installer.
- assure that the electrical installation is adequate and in conformance with the National Electrical Code, ANSI/NFPA 70- latest edition or Canadian Electrical Code C22.1-1998 and C22.2 No. 0-M91 (or latest edition), and all local codes and

ordinances. A 115 volt, 60-Hz, 15 amp, fused, electrical supply is required. It is required that a separate circuit serving only this appliance be provided. This appliance is equipped with a power supply cord having a 3-prong grounding plug. To minimize possible shock hazard, the cord must be plugged into a mating 3-prong, grounding-type wall receptacle.

Do not use an extension cord.

If codes permit a separate grounding wire to be used, it is recommended that a qualified electrician determine that the grounding path is adequate.

DO NOT ground to a gas pipe. Check with a qualified electrician if you are not sure the appliance is properly grounded. **DO NOT** have a fuse in the neutral or grounding circuit.

Anti-Tip Requirements

The anti-tip boards should be fastened into position prior to moving the unit into the opening.

Note: Additional mounting boards may be required if the unit does not touch the back wall of the enclosure. To prevent unit from tipping forward, it must be secured in place with a solid soffit or wood block.

General Information

⚠ WARNING

To avoid serious illness or death, do not use unit where water is microbiologically unsafe or of unknown quality without adequate disinfection before or after the system. Systems certified for cyst reduction may be used on disinfected water that may contain filterable cysts. The contaminants or other substances removed or reduced by this water treatment system are not necessarily in your water.

Water Supply Requirements

Use only 1/4" (6 mm) copper tubing for water line. Do Not install copper tubing in area where temperatures drop below 35° F (1.7° C). Before attaching copper tubing to the unit, flush at least 2 quarts (1.9 L) of water through the copper tubing and into a bucket to remove any particles in the water line.

- **Viking Range Corporation is not responsible for property damage due to improper installation or water connection.**
- Connect 1/4" (6mm) flexible copper tubing to household plumbing in compliance with local codes and ordinances.
- Length of copper tubing must reach from water supply connection to the unit connection with an additional length to facilitate moving the unit out of enclosure for cleaning or service. Tubing should be soft instead of rigid and ends should be free of burrs.
- Copper tubing route must be above 35° F (1.7° C) to prevent water line from freezing.

- **Do not use plastic water lines from the household plumbing to the water inlet valve connection on the refrigeration unit.**
- **Do not use the self-piercing feature of a saddle valve.** The hole made by the piercing lance is too small for the water flow rate required by the ice maker.
- If saddle valve is not used, place a separate shut-off valve in an easily accessible location between water supply and the unit. Do not locate shut-off valve behind the unit.
- The installation of Viking units with a reverse osmosis system is acceptable **as long as the water pressure remains within the allowable PSI as stated below.** It is important to note that with many reverse osmosis systems, the pressure starts off high, but then it decreases as the water level of the reverse osmosis storage area drops. This must be considered when checking the water pressure coming into the unit.
- Connect a vertical or horizontal 1/2" (1.2 cm) to 1 1/4" (3.2 cm) COLD water line near water area.
- Run water line through the floor, back, or side wall. Tubing should lay flat on floor underneath the unit. Clamp tubing to wall or floor.
- Water pressure must be greater than 20 psi and less than 120 psi on non-dispensers and greater than 35 psi and less than 120 psi on dispensers.

General Information

- Most of the unit's weight is at the top. Extra care is needed when moving the unit to prevent tipping.
- Do Not remove protective film until unit is in operating position.
- All four leveling legs must contact the floor to support and stabilize the full weight.
- Do not drop unit.
- Remove exterior shipping materials prior to moving unit into home.
- Use two or more people to move and install unit. Failure to follow this instruction can result in back or other injury.
- To avoid personal injury, wear gloves when performing any installation procedure and wear eye protection when cutting metal straps.

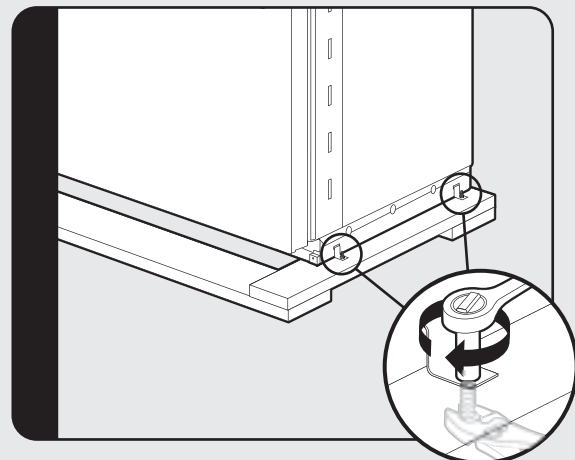
TIP OVER HAZARD

Appliance is top heavy and tips easily when not completely installed. Keep doors closed until appliance is completely installed and secured per installation instructions. Use two or more people to move and install appliance. Failure to do so can result in death or serious injury.

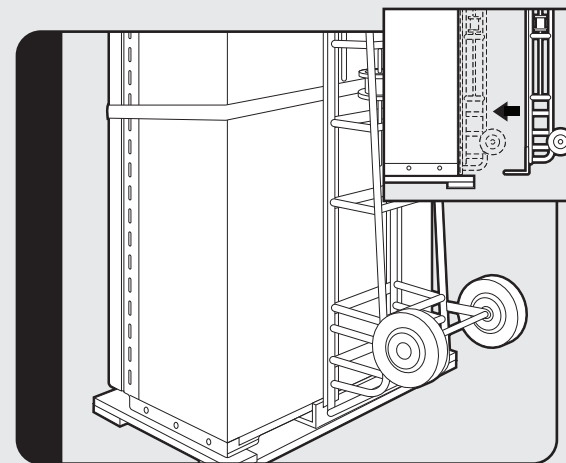
Unpacking unit

1. Remove top and bottom strap.
2. Remove top cap.
3. Cut carton rear approximately 1/4" (0.6 cm) to 1" (2.5 cm) from right corner with a utility knife extended 1/4" (0.6 cm).
4. Remove carton and exterior packaging. Save cardboard shipping material to protect floor surface when installing unit. Remove anti-tip board, kickplate and door trim pieces (DF models) from rear of unit.

Moving Unit

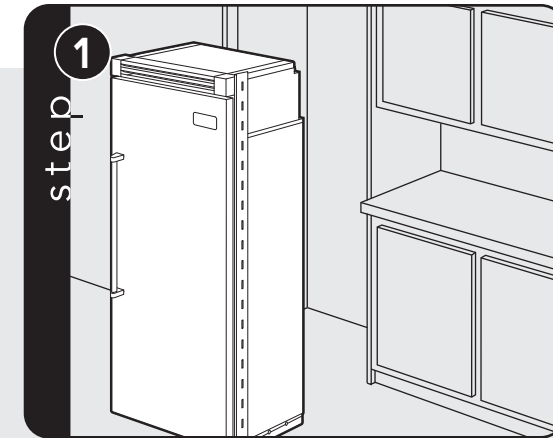


Remove shipping brackets from skid by removing 4 bolts (2 on each side) with a 1/2" deep-well socket wrench and a pair of pliers.
Note: Tilting unit is not required to remove shipping brackets.

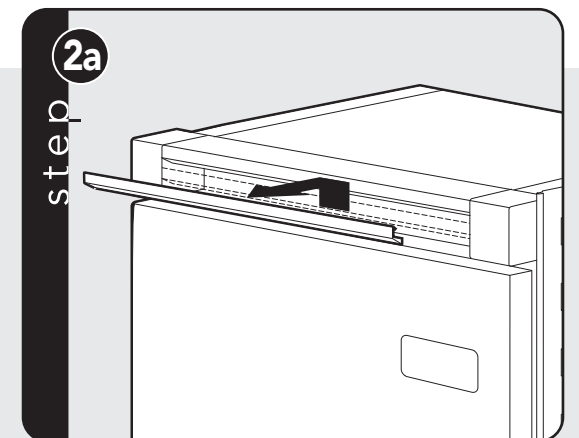


Slip appliance dolly between unit and skid. Remove unit from skid.
Note: Use excess packaging to protect decorative trim; also, verify that leveling legs are up (0" adjustment).

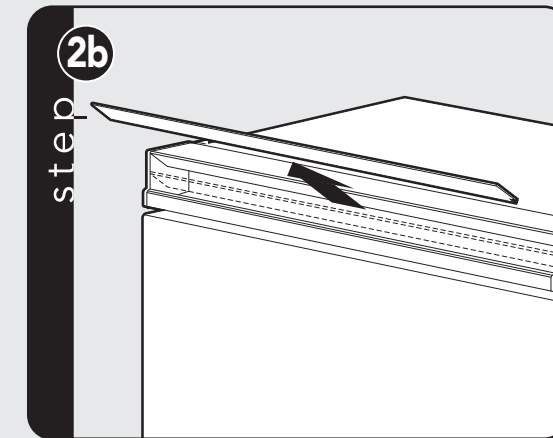
Installation



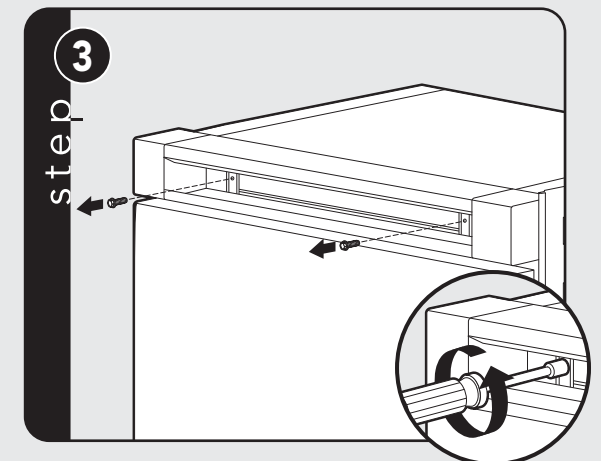
Place unit in front of cutout.



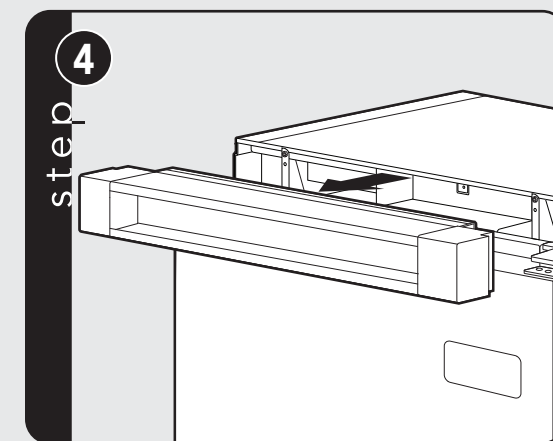
(Professional) Lift center grille louver up and pull out.



(Designer) Pull the center grille louver up at an angle and pull out.

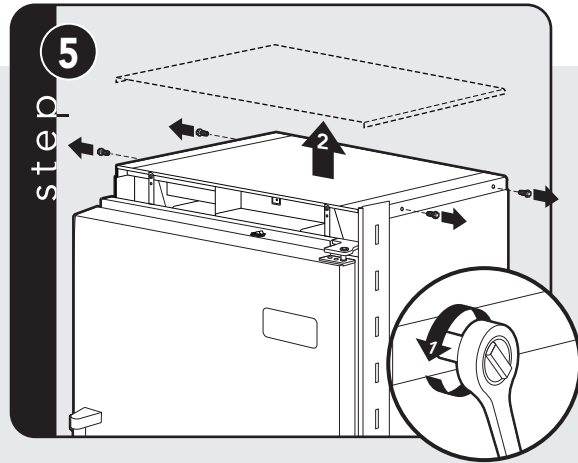


Using an 8" magnetic nut driver, remove the two 1/4" screws.

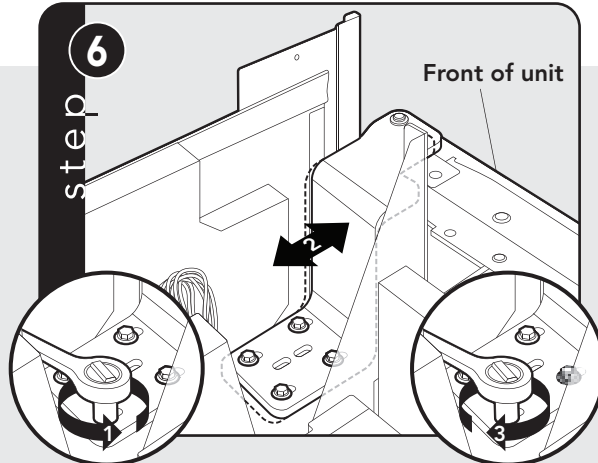


Remove grille assembly.

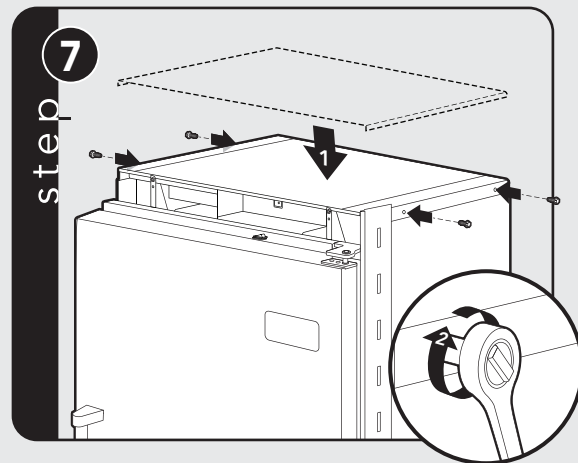
Hinge Adjustment



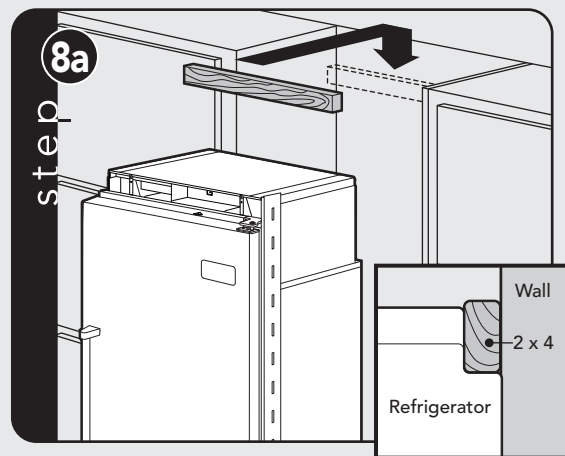
Remove four side screws and remove unit top.



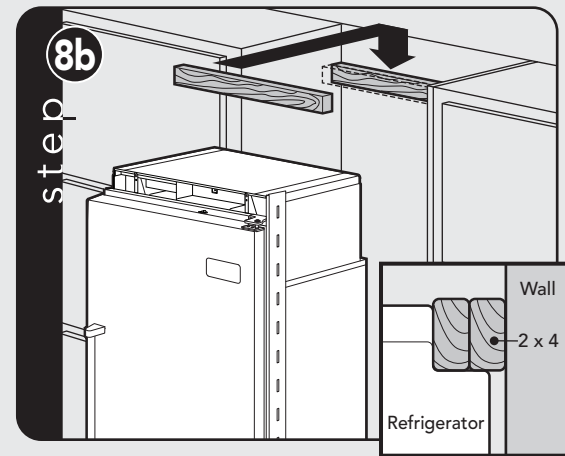
Loosen the four hinge screws. Adjust door. Retighten four hinge screws.



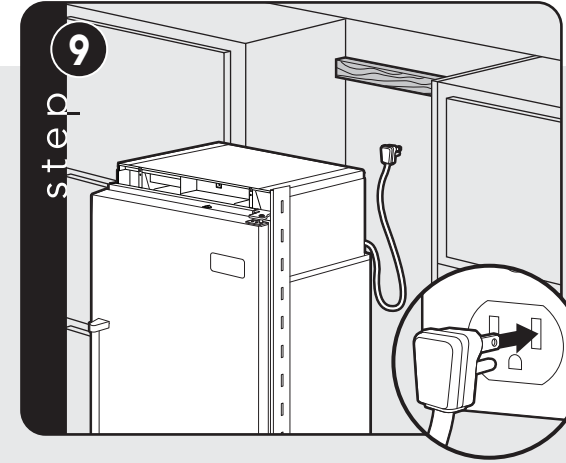
Replace unit top. Replace four side screws.



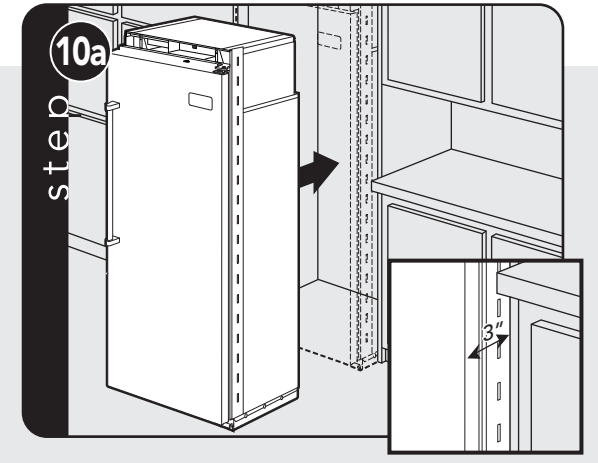
Attach one 2x4 to wall stud (refer to dimensions page for exact location).



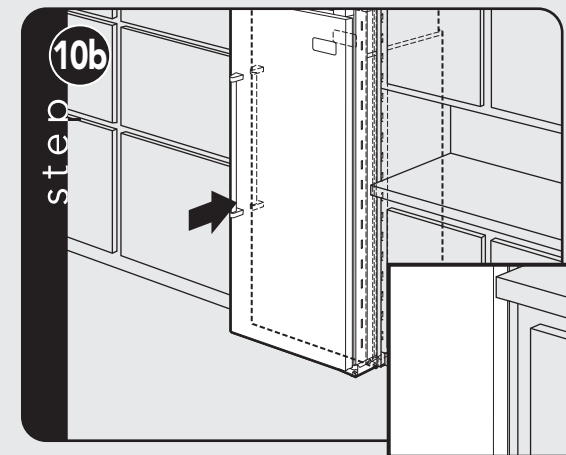
If needed, depending on cabinet and depth, attach second 2x4 to first 2x4.



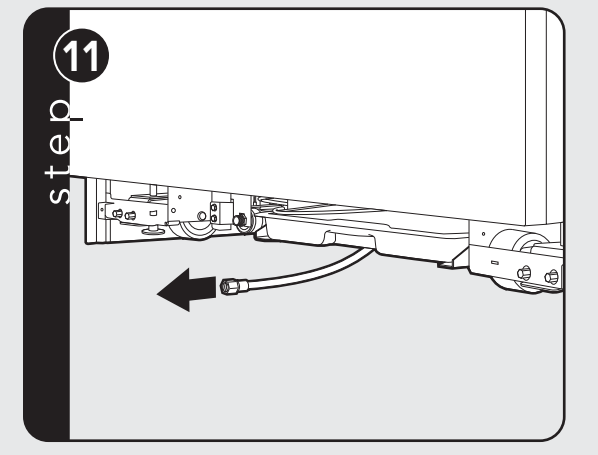
Plug in power cord to verify operation.
Note: Make sure power switch and showroom switch are in the "On" Position.



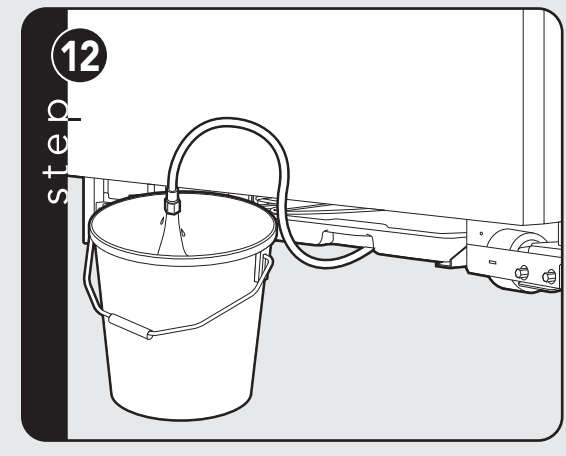
Place unit within 3" of being flush with cabinets.
Note: To avoid cabinet damage, place cardboard between cabinets and unit. When moving unit, do not crimp, kink or crush water supply line.



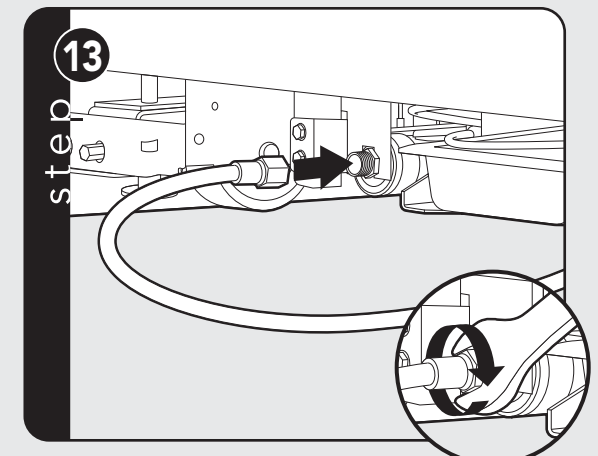
Carefully move unit until semi flush with cabinet (depending on unit).



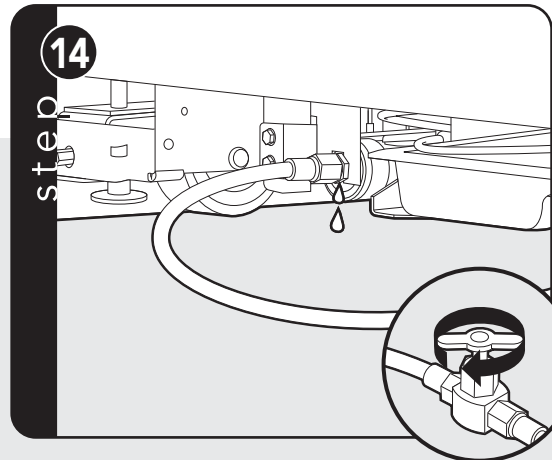
Pull supply tubing forward under unit.
Note: DO NOT use plastic water lines.



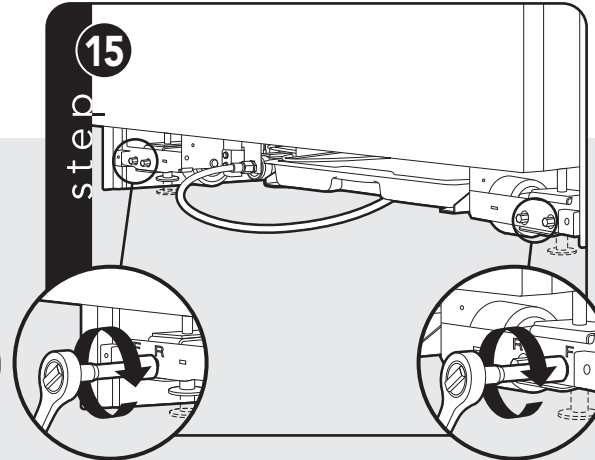
Flush water line by running two quarts of water into a bucket. Turn water off



Connect supply tube to water valve using a 1/2" wrench. **Note:** DO NOT overtighten.

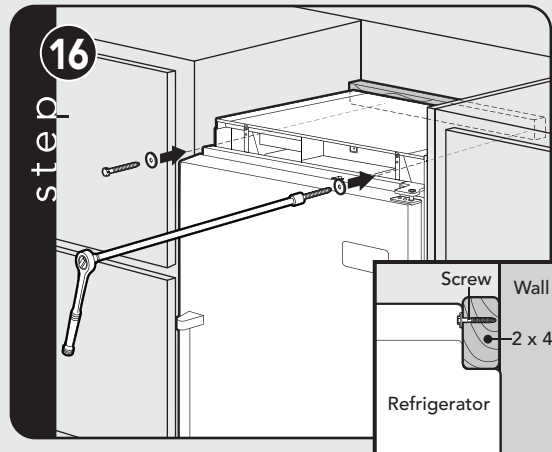


Turn on water supply and check for leaks.

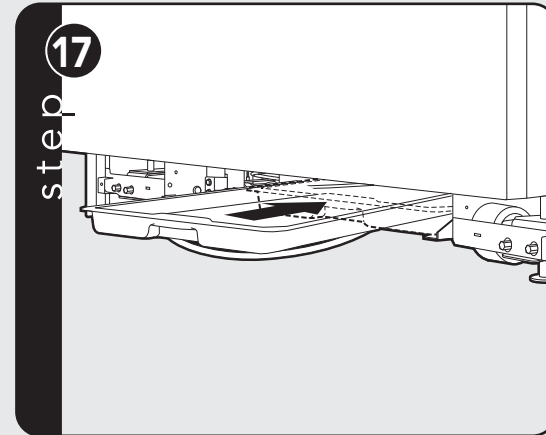


Lift unit off rollers to desired height and level unit using a 5/16" head wrench.

Note: DO NOT use an electric device. Overtightening can cause damage.

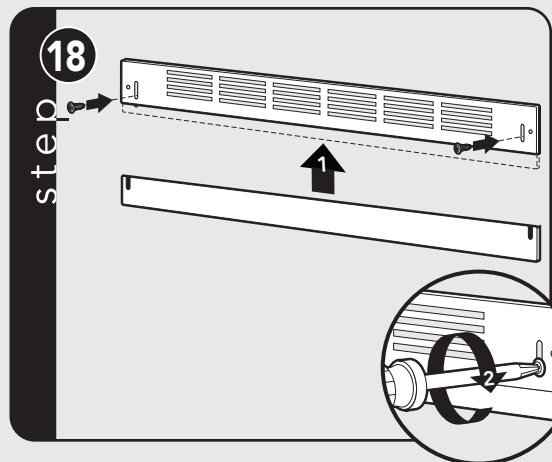


Attach positive secure self-tapping bolts to 2x4 using a 22" extension.

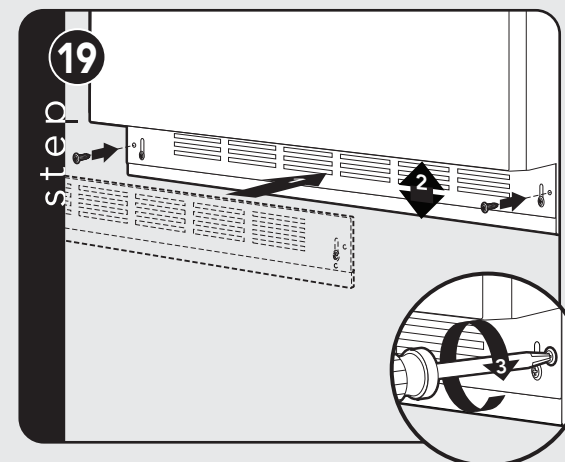


Verify that drain pan is installed and aligned.

Kickplate Installation

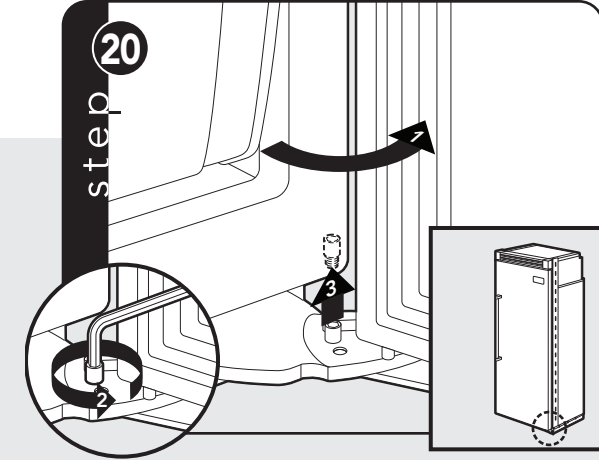


Align holes on both ends of louvered panels and insert screws.



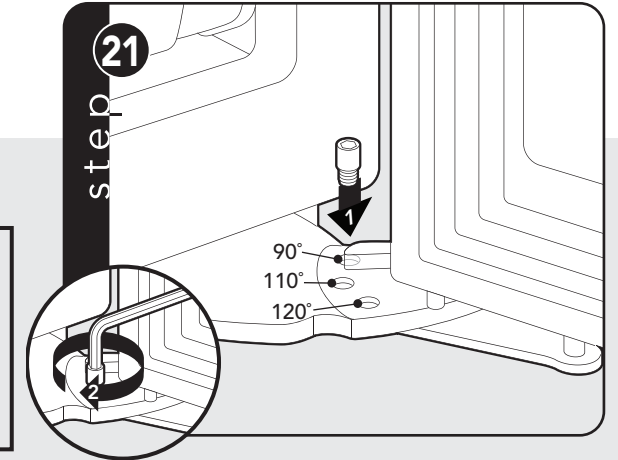
Using a Phillips screwdriver, attach the kickplate to the unit and adjust to desired height.

Door Stop Adjustment



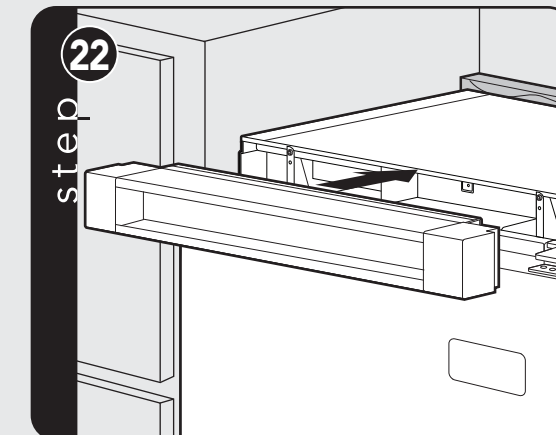
Open refrigerator door so door stop and shoulder screw are accessible.

Note: Shoulder screw should be in 110° door opening position.

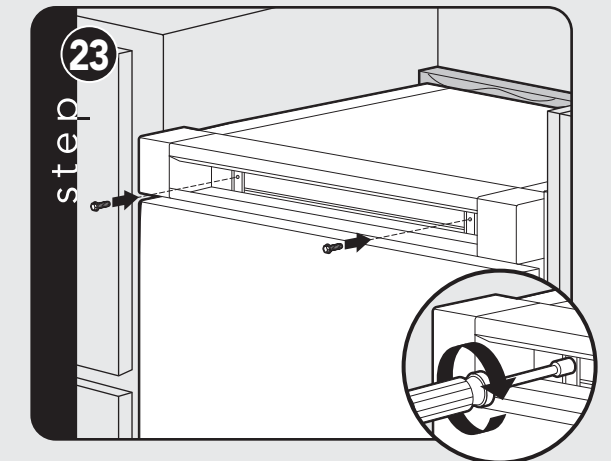


Remove shoulder screw and place in 90° or 120° position.

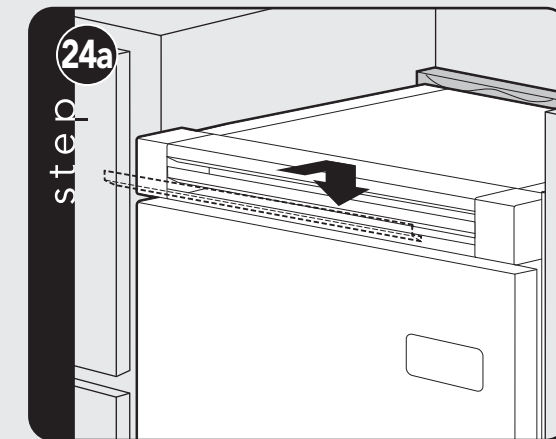
Final Installation



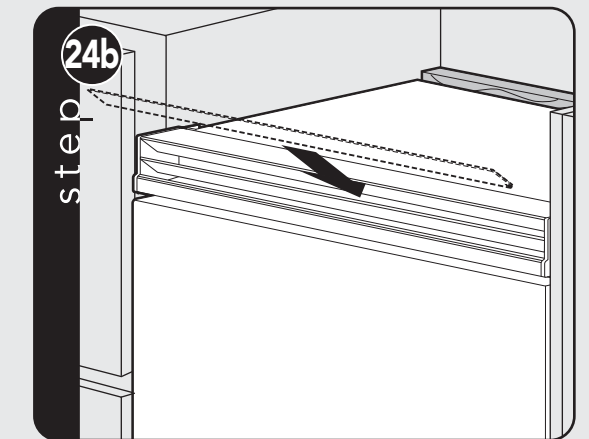
Replace top air grille.



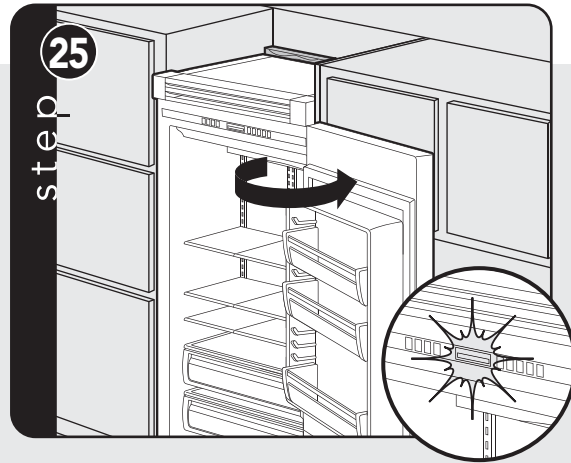
Using an 8" magnetic nut driver, replace the two 1/4" screws.



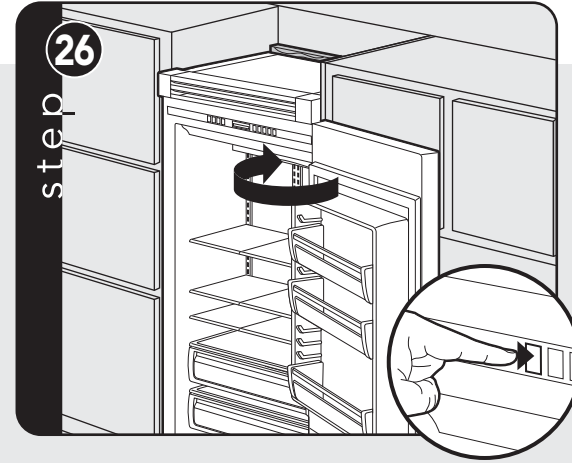
(Professional) Replace the center grille louver.



(Designer) Replace the center grille louver.



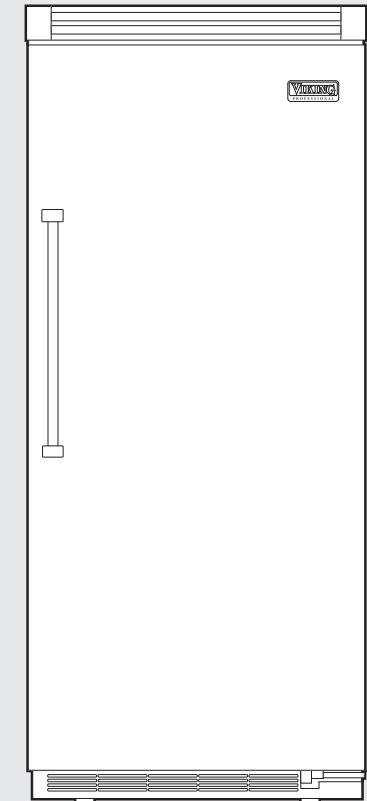
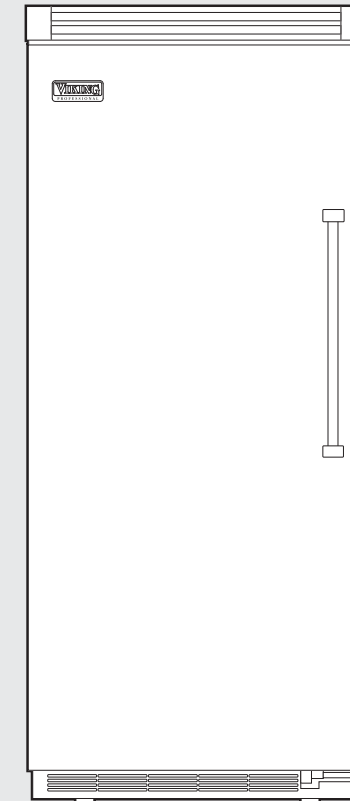
Open door. Display should flash.



Press "ACTIVATE CONTROLS" button pad and close door.

Note: There is a 6 minute delay before the unit starts.

Performance Checklist



- Verify cabinet size.
- Verify electrical supply and water supply (if applicable).
- Install anti-tip device(s) and verify unit is secure.
- Position unit in cutout, level at desired height, and secure unit.
- Plug-in unit and verify operation.
- Connect water supply (if applicable).
 - Verify icemaker fill tube is properly inserted.
 - Verify icemaker bailarm is down.
 - Verify dispenser operation (if applicable).

- Align/square door(s).
- Verify drain pan is properly installed and there are no leaks in water connection.
- Install kickplate.
- Remove internal packaging and labels and wipe unit down.

Installer's information:

Installer's Name: _____

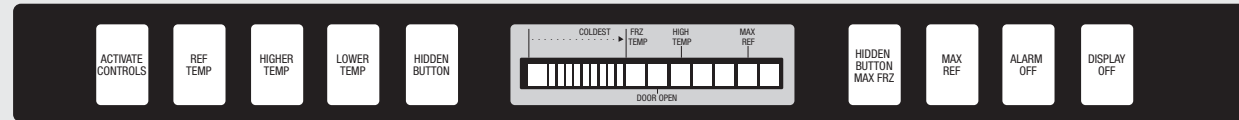
Installer's Company: _____

Date: _____

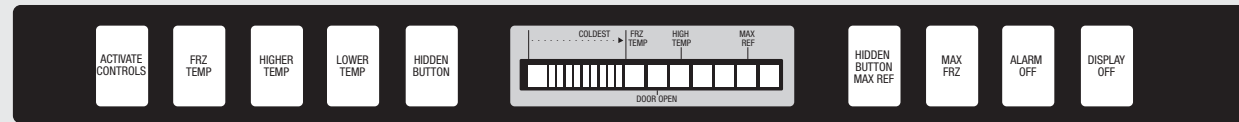
Verify Operations

Control Panels

All Refrigerator



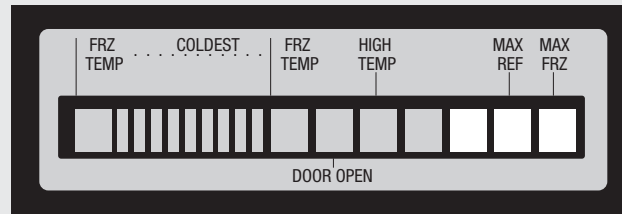
All Freezer



1. Press "Display On" or "Activate Controls" pad
2. Verify unit is not in Sabbath Mode

If in Sabbath Mode:

- A. The Sabbath Mode will disable the interior lights, display (except 3 blue squares) and alarm. (See picture below for visual indication of Sabbath Mode)

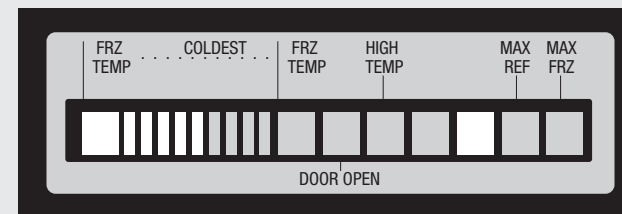


To exit the Sabbath Mode:

- B. Press & Hold "Display On" or "Activate Controls" and then "Display Off" for 3 seconds. (The control will beep 3 times to alert the user the Sabbath Mode has been exited)
3. Verify unit is not in Showroom Mode

If in Showroom Mode:

- A. The Showroom Mode will disable the refrigerator system but all other functions are normal. These include lights and control. (See picture below for visual indication of Showroom Mode)



To exit Showroom Mode:

- B. Press & Hold "Display On" or "Activate Controls"; while holding, press and hold "Higher Temp" and "Alarm Off" together. (The control will beep 3 times to alert the user that Showroom Mode has been exited)
4. Press "Max Frz" & "Display Off" at the same time and hold until beeps (force start compressor).
 5. All models need to be set at the 5th bar for Refrigerator & Freezer - factory setting.

Service & Registration

Service & Parts

Only authorized replacement parts may be used in performing service on the appliance. Do not repair or replace any part of the appliance unless specifically recommended in the manual. All other servicing should be referred to a qualified technician.

Record the following information indicated below. You will need it if service is ever required. The serial number and model number for your appliance are located on the identification plate mounted behind the top light.

Model Number

Serial Number

Date of Purchase

Date Installed

Dealer's Name

Address
