



## REFRIGERATION

### Quiet Cool™ Built-In 48"W. Side-By-Side Refrigerator/Freezer



## Standard Features & Accessories

### All models include

- Total capacity—27.4 cu. ft. (775.9 L)
  - Refrigerator - 18.5 cu. ft.
  - Freezer - 8.9 cu. ft.
  - 84"H./24"D.
- ProChill™ Temperature Management System
  - Variable-speed DC Overdrive™ Compressor is one of the quietest, most technologically advanced compressors available
  - Electronic controls maintain the temperature selection within 1°F
  - Multi-channel airflow system and Odor Eliminator™ Evaporator removes odors and excess humidity
- Exclusive Plasmacluster™\* Ion Air Purifier
  - Eliminates airborne bacteria and mold spores
  - Removes odors
  - Enhances food preservation
  - Never needs replacing
- Refrigerator Compartment
  - Four adjustable tempered glass spillproof shelves
  - Adjustable Cold Zone™ drawer with precision ball-bearing glides
    - Separate temperature control can be set for produce or fresh meat storage
    - Quick chill option chills foods and beverages in minutes
  - Adjustable Humidity Zone™ drawers with precision ball-bearing glides
    - Humidity can be set high for leafy greens or low for fruits and vegetables with skins
    - Two in-the-door sealed dairy compartments with covers
    - Four patented adjustable aluminum door bins with tempered glass fronts
    - Top shelf provides quick chill-down area
- Freezer Compartment
  - Adaptive defrost
  - Three wire shelves and two slide-out baskets
  - Three patented adjustable aluminum door bins with tempered glass fronts
- Super Clog-Resistant™ Condenser is maintenance-free under normal use
- Tru-Flush™ design
  - Allows Professional Integrated and Custom Panel models to fit flush into 24" deep installation cutout
- Open door alarm sounds and glows to warn that door has been ajar for three minutes
- Adjustable door stops standard—90°, 110°, or 120° swing
- Sabbath Mode

\*Plasmacluster is a registered trademark of Sharp Corporation.

## Model Options



**VCSB548/VISB548**  
Professional/Professional  
Integrated



**DFSB548**  
Custom Front

### FINISH DETAILS FOR VCSB/VISB MODEL

- Stainless Steel (SS), Black (BK), White (WH), Metallic Silver (MS), Graphite Gray (GG), Stone Gray (SG), Taupe (TP), Biscuit (BT), Cotton White (CW), Oyster Gray (OG), Golden Mist (GM), Lemonade (LE), Sage (SA), Mint Julep (MJ), Sea Glass (SE), Iridescent Blue (IB), Viking Blue (VB), Pumpkin (PM), Racing Red (RR), Apple Red (AR), Burgundy (BU), Plum (PL), Chocolate (CH), and Cobalt Blue (CB).
- Finish codes designate door fronts. Stainless steel upper grille, side trim, and handles (with chrome-plated brackets); black lower kickplate.
- Brass Trim Option (BR)—nameplate, handle/brackets, and side trim. Brass components have a durable protective coating for maintenance-free normal use.

### FINISH DETAILS FOR DFSB MODEL

- Handles not included—opt for custom handles, or purchase a Viking Professional Series or Designer Series handle kit (see **Installation Notes & Accessories**).
- See **Custom Panels** section for more information and additional specifications.

### ORDERING INSTRUCTIONS

First specify model number, and then color code (VCSB548**SS**). If ordering optional brass trim, specify code at end (VCSB548**SSBR**).





# REFRIGERATION

## Quiet Cool™ Built-In 48" W. Side-By-Side Refrigerator/Freezer



★ Please see Installation Notes & Accessories for important information, including panel and handle kits.



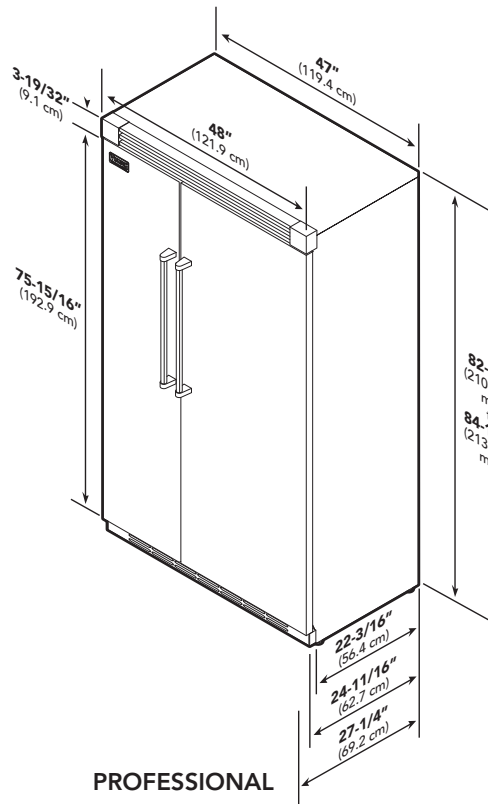
Star-K Kosher Certification for use on the Jewish Sabbath or Jewish holidays

### Dimensions & Specifications

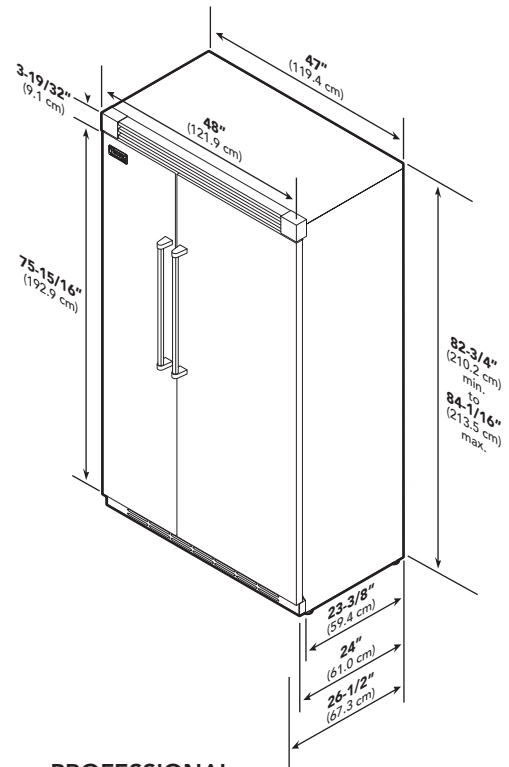
#### PRODUCT DIMENSIONS



VCSB548/VISB548  
Professional/Professional  
Integrated



PROFESSIONAL



PROFESSIONAL  
INTEGRATED

	VCSB548	VISB548
Overall width	48" (121.9 cm)	
Overall height (from bottom)	82-3/4" (210.2 cm) min. to 84-1/16" (213.5 cm) max.	
Overall depth (from rear)		
To front edge of side trim	22-3/16" (56.4 cm)	23-3/8" (59.4 cm)
To front of top grille	24-11/16" (62.7 cm)	24" (61.0 cm)
To front of handle	27-1/4" (69.2 cm)	26-1/2" (67.3 cm)
Approx. ship weight	715 lbs. (321.8 kg)	





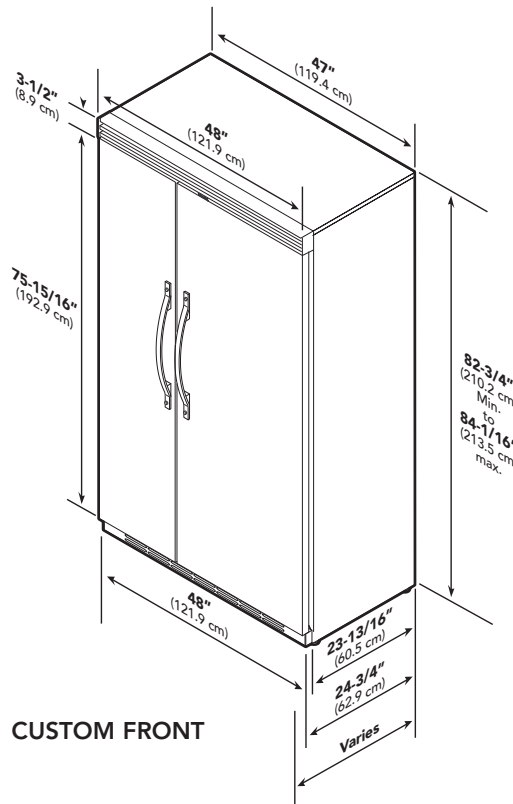
## Dimensions & Specifications

### PRODUCT DIMENSIONS



**DFSB548**  
**Custom Front**

See **Custom Panels** section for more information and additional specifications.



**CUSTOM FRONT**

★ Please see **Installation Notes & Accessories** for important information, including panel and handle kits.



ALL MODELS

Star-K Kosher Certification for use on the Jewish Sabbath or Jewish holidays

<b>DFSB548</b>	
Overall width	<b>48" (121.9 cm)</b>
Overall height (from bottom)	<b>82-3/4" (210.2 cm) min. to 84-1/16" (213.5 cm) max.</b>
Overall depth (from rear)	
To front edge of side trim	<b>23-13/16" (60.5 cm)</b>
To front of top grille	<b>24-3/4" (62.9 cm)</b>
To front of handle	<b>Varies</b>
Approx. ship weight	<b>650 lbs. (292.5 kg)</b>



VIKING  
DESIGNER

# REFRIGERATION

## Quiet Cool™ Built-In 48" W. Side-By-Side Refrigerator/Freezer



### Dimensions & Specifications

#### DOOR SWING

- Adjustable door stops standard—90°, 110°, or 120° swing

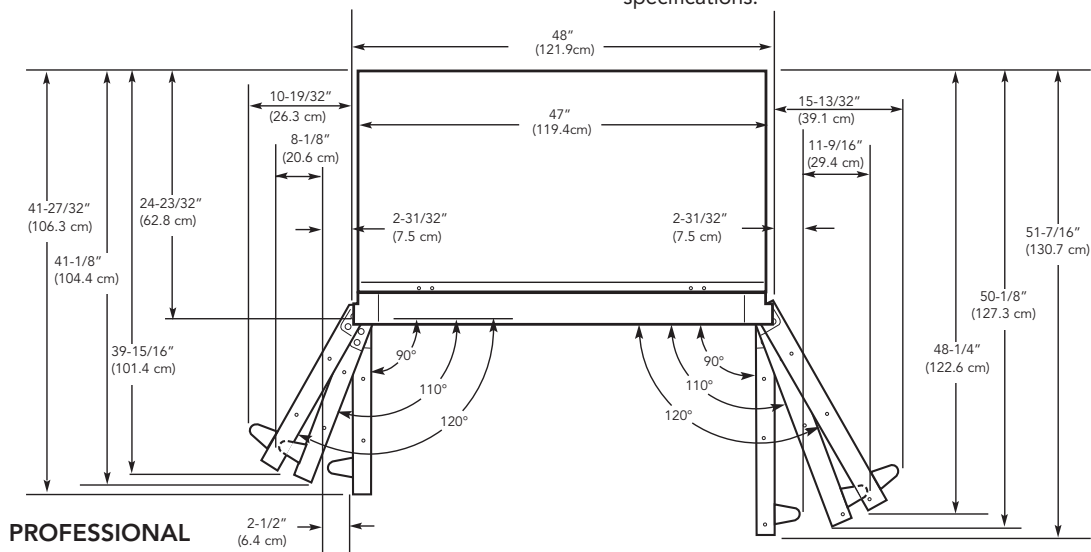


**VCSB548/VISB548**  
Professional/Professional  
Integrated

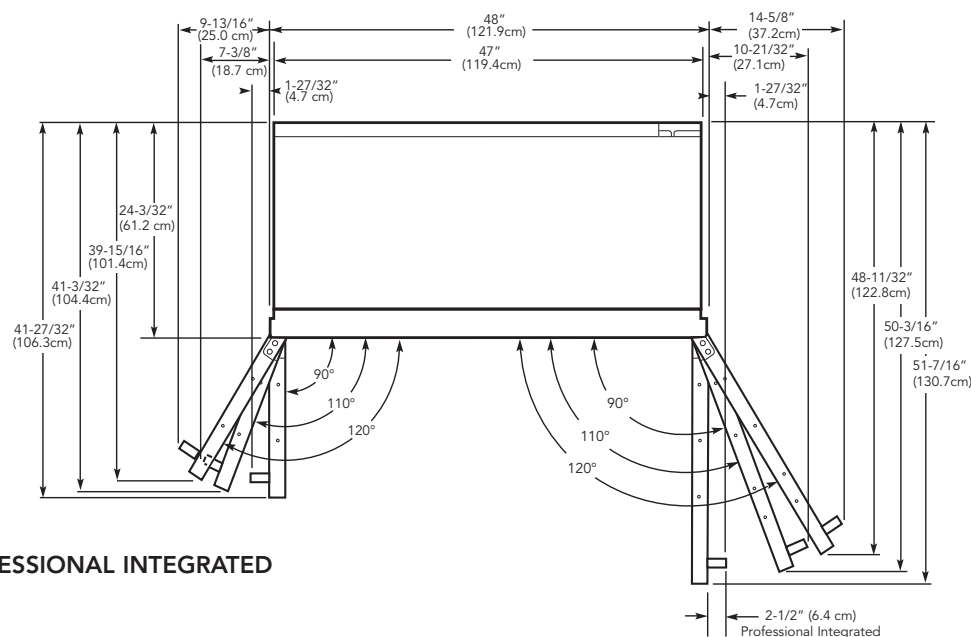


**DFS548**  
Custom Front

See **Custom Panels** section for more information and additional specifications.



PROFESSIONAL



PROFESSIONAL INTEGRATED





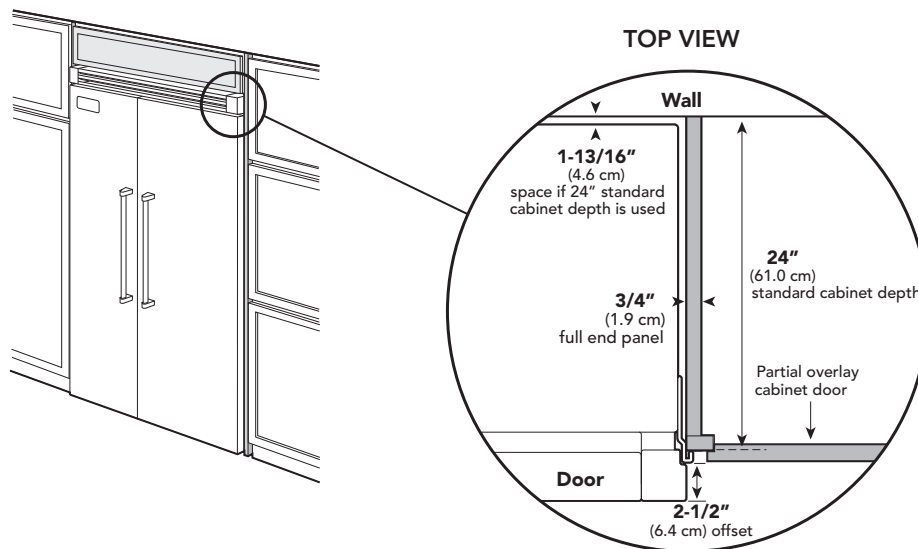
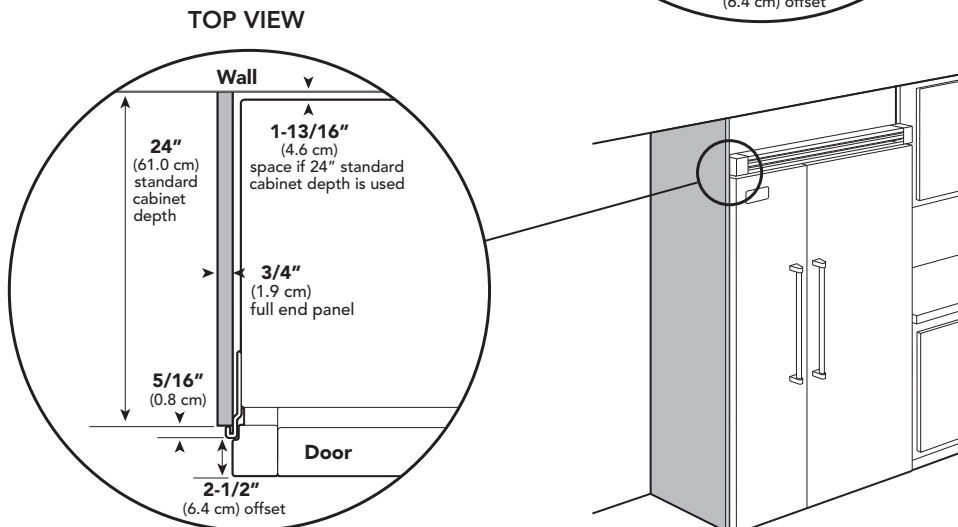
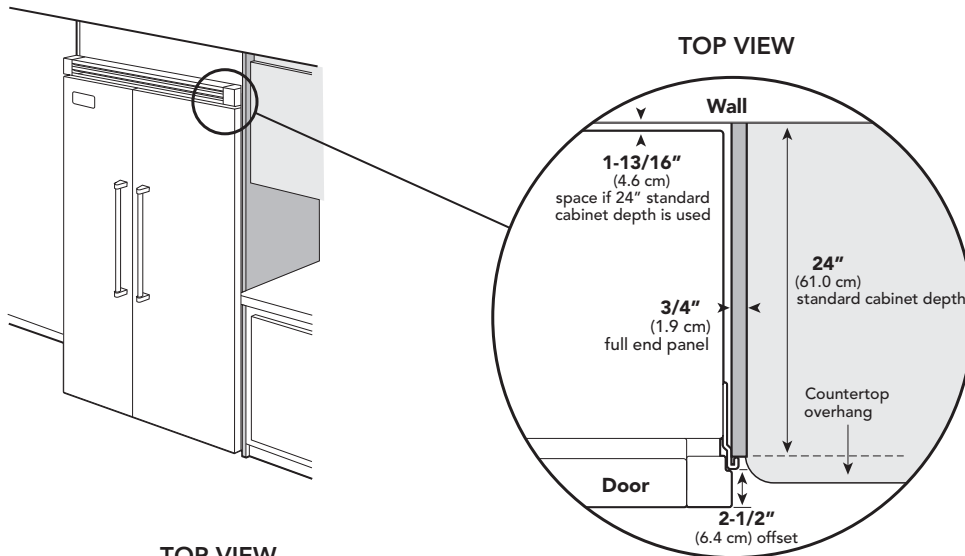
# REFRIGERATION

## Quiet Cool™ Built-In 48" W. Side-By-Side Refrigerator/Freezer



### Dimensions & Specifications

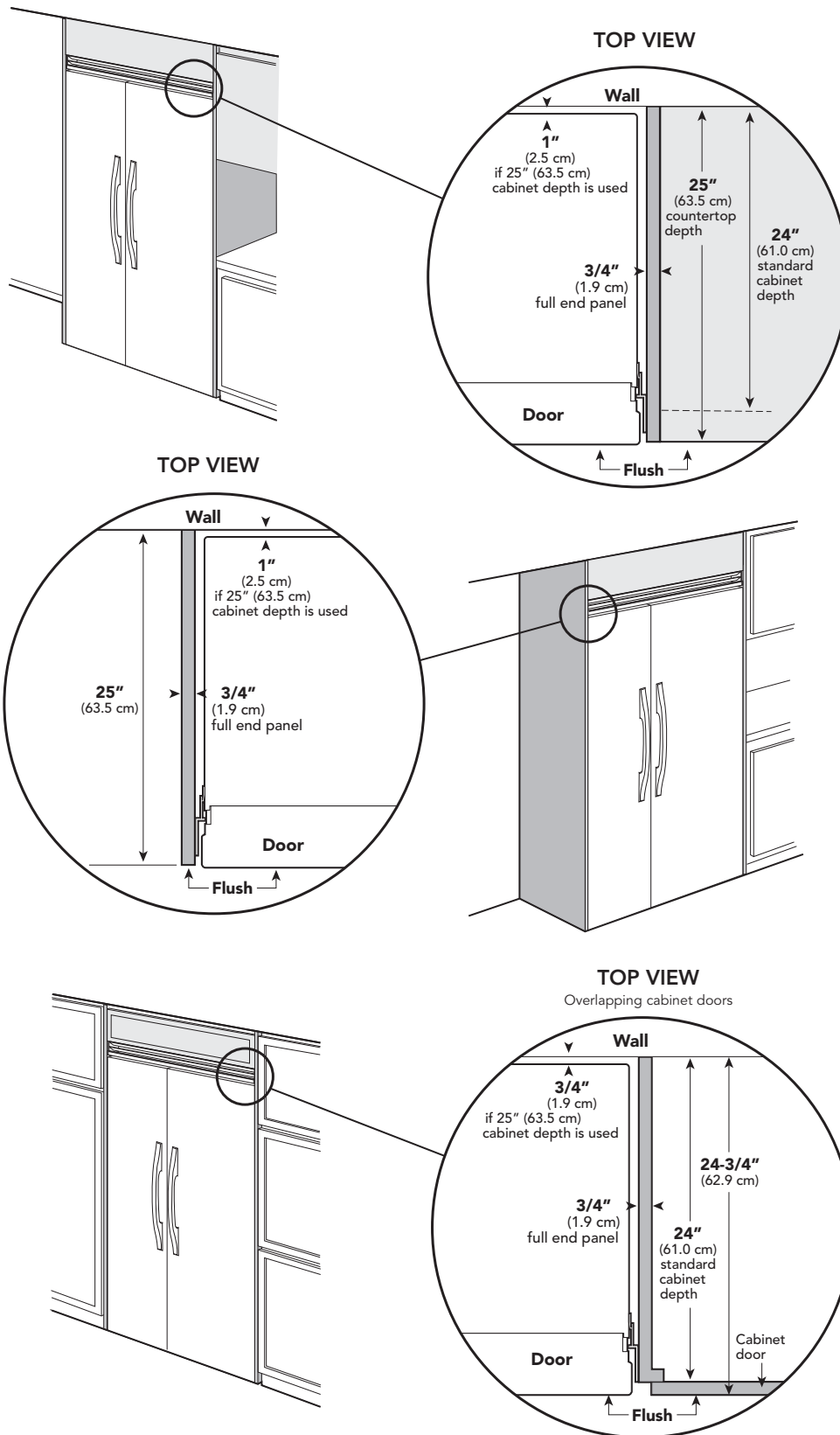
#### CLEARANCE DIMENSIONS—PROFESSIONAL





## Dimensions & Specifications

### CLEARANCE DIMENSIONS—PROFESSIONAL INTEGRATED





### UTILITY REQUIREMENTS



**GAS**  
Not applicable



- ELECTRICAL**
- Three-wire cord with grounded three-prong plug attached to product
  - 115 VAC/60 Hz; 15 amp dedicated circuit
  - Maximum amp usage—9.9
  - Estimated energy usage—668 kWh/year



- PLUMBING**
- Inlet waterline requirements—1/4" copper tubing
  - 20 psi min.; 120 psi max.

## Installation Requirements

### ACCESS REQUIREMENTS

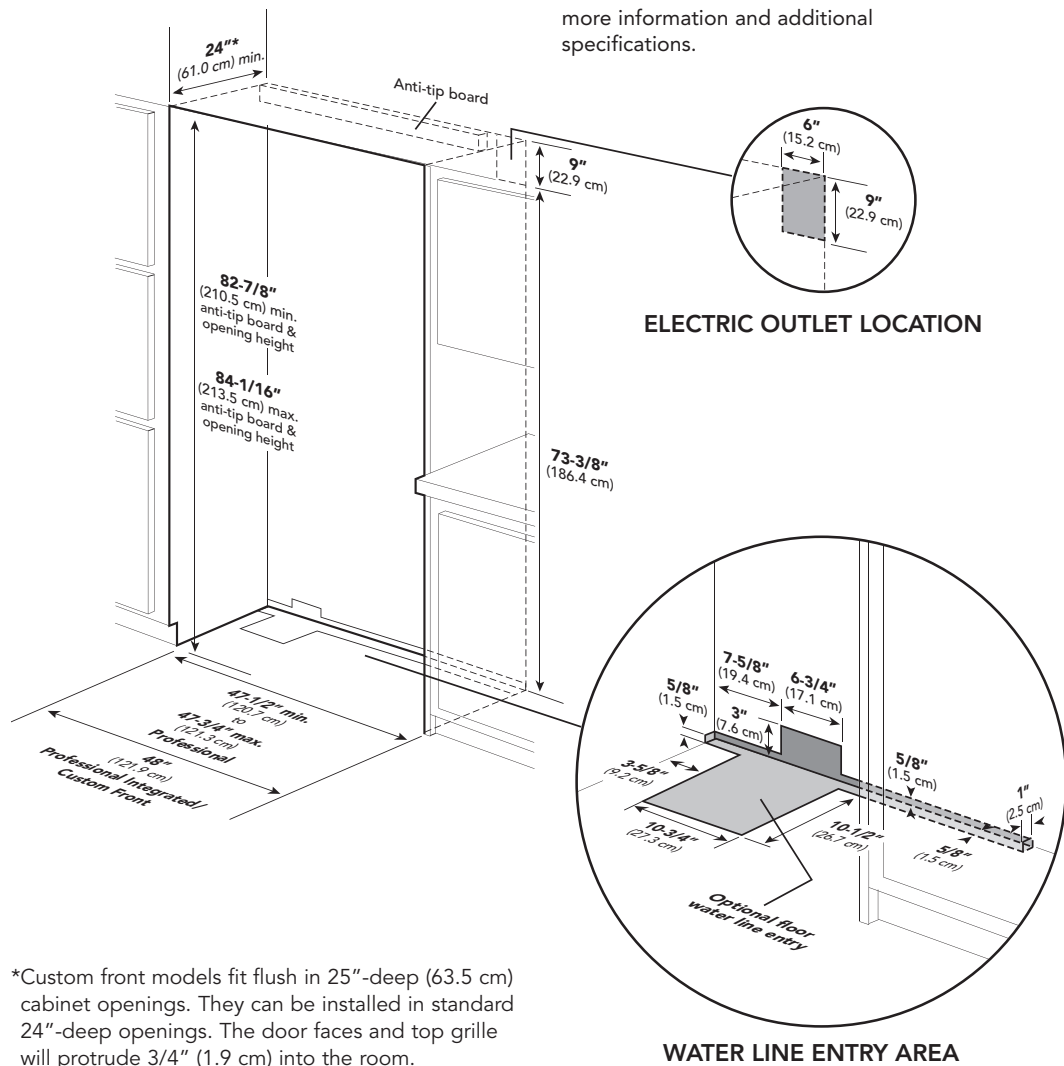


**VCSB548/VISB548**  
Professional/Professional  
Integrated



**DFSB548**  
Custom Front

See **Custom Panels** section for more information and additional specifications.



\*Custom front models fit flush in 25"-deep (63.5 cm) cabinet openings. They can be installed in standard 24"-deep openings. The door faces and top grille will protrude 3/4" (1.9 cm) into the room.

	VCSB548	VISB548	DFSB548
Cutout width	47-1/2" (120.7 cm) min. to 47-3/4" (121.3 cm) max.	48" (121.9 cm)	48" (121.9 cm)
Cutout height	82-7/8" (210.5 cm) min. to 84-1/16" (213.5 cm) max.		
Cutout depth	24" (61.0 cm) min.*		



# REFRIGERATION

## Quiet Cool™ Built-In 48"W. Side-By-Side Refrigerator/Freezer



### ★ Installation Notes & Accessories

#### Side Panel Kits

- Stainless Steel (SS)
- Panels provide finished, freestanding look; unit must still be secured to the wall
- Kit includes one panel and installation hardware

Model	Description	Approx. ship wt. lbs. (kg)
PSSPL2	Professional side panel left (VCSB)	45 (20.2)
PSSPR2	Professional side panel right (VCSB)	45 (20.2)
DSSPL2	Designer side panel left (VISB/DFSB)	45 (20.2)
DSSPR2	Designer side panel right (VISB/DFSB)	45 (20.2)

#### Side Panel Hardware Kit

- For use with Designer built-in refrigerator/freezers
- Hardware allows installation of custom side panels
- Kit includes brackets, screws, and installation instructions to mount panels on left and right side

Model	Description	Approx. ship wt. lbs. (kg)
SPHKDS	Side panel hardware	3 (1.4)

#### Top Panel Kit

- Stainless Steel (SS)
- Panel provides finished, freestanding look; unit must still be secured to the wall
- Kit includes one panel and installation hardware

Model	Description	Approx. ship wt. lbs. (kg)
TOP-48	48"W. top panel	24 (10.8)

#### Handle Kits

- For use with custom front refrigerator/freezers
- For use on locally supplied custom front panels
- Handles allow refrigerator/freezers with custom front panel to coordinate with other Professional and Designer products
- Kit includes two handles and installation hardware

Model	Description	Approx. ship wt. lbs. (kg)
PHK-DFSB5-SS	Professional handles (Stainless Steel)	10 (4.5)
PHK-DFSB5-BR	Professional handles (Brass)	10 (4.5)
HKFDS-SS	Designer handles (Stainless Steel)	10 (4.5)
HKFDS-BR	Designer handles (Brass)	10 (4.5)

#### Compliance Information



#### WARRANTY SUMMARY\*

- Two-year full warranty—complete unit
- Six-year full warranty—sealed refrigeration system and automatic ice maker
- Twelve-year limited warranty—sealed refrigeration system (includes compressor, condenser, dryer/strainer, evaporator, and connecting tubing)
- Ninety-day limited warranty—cosmetic parts such as glass, painted, and decorative items

\*For complete warranty see *Use & Care Guide*. Warranty valid on Viking products shipped within the United States and Canada.

