

Viking Installation Guide



Viking Range Corporation

111 Front Street

Greenwood, Mississippi 38930 USA

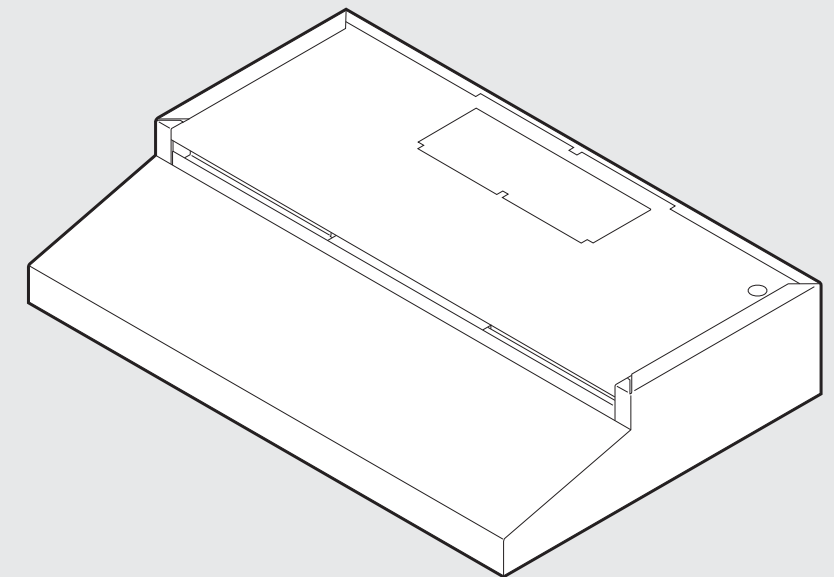
(662) 455-1200

For product information,

call 1-888-VIKING1 (845-4641)

or visit the Viking Web site at

vikingrange.com



6" H. Wall Hood

Table of Contents

Warnings & Important Information _____	3
Dimensions & Specifications _____	5
Clearance Dimensions _____	6
Interior Ventilator Dimensions _____	7
Planning Information _____	8
Installation (Top duct) _____	9
Installation (Rear duct) _____	12
Installation (Recirculating) _____	15
Service & Registration _____	17
Wiring Diagram _____	18

IMPORTANT— Please Read and Follow

Note: *If installing hood with warming shelf panel, install warming shelf panel first.*

- Before beginning, please read these instructions completely and carefully.
- **DO NOT** remove permanently affixed labels, warnings, or plates from the product. This may void the warranty.
- Please observe all local and national codes and ordinances. If no local codes are applicable, wire in accordance with the National Electrical Code, ANSI/NFPA 70-latest edition.
- Outdoor approved models should be installed in a covered non-enclosed area and should be protected from the elements as much as possible.
- The installer should leave these instructions with the consumer who should retain for local inspector's use and for future reference.
- Check with a qualified and trained installer or local codes for makeup air requirement, if any.


This hood is for residential installation only and is not designed for installation over a commercial product. Make sure power is off at the main circuit breaker or fuse box before making connections. To avoid risk of fire, electric shock, or injury to persons, turn off the electricity to the hood from the power supply before servicing or cleaning.

Viking hoods are equipped with the variable speed controls for blowers. These units will not function with a single speed ventilator. All Viking ventilator kits are designed specifically for use with Viking hoods. Use of any non-Viking ventilator kit will void the hood warranty.

READ AND SAVE THESE INSTRUCTIONS

Your safety and the safety of others is very important.

We have provided many important safety messages in this manual and on your appliance. Always read and obey all safety messages.

 This is the safety alert symbol. This symbol alerts you to hazards that can kill or hurt you and others.

All safety messages will be preceded by the safety alert symbol and the word "DANGER," "WARNING" or "CAUTION." These words mean:

DANGER

Hazards or unsafe practices which WILL result in severe personal injury or death

WARNING


Hazards or unsafe practices which COULD result in severe personal injury or death

CAUTION

Hazards or unsafe practices which COULD result in minor personal injury or property damage.

All safety messages will identify the hazard, tell you how to reduce the chance of injury, and tell you what can happen if the instructions are not followed.

WARNING

 **FIRE HAZARD**
To reduce risk of fire, use **ONLY** metal ductwork.

IMPORTANT— Please Read and Follow

Dimensions & Specifications

⚠ WARNING

FIRE AND ELECTRICAL SHOCK HAZARD

To reduce the risk of fire, electric shock, or injury to persons, observe the following:

- Use this unit only in the manner intended by the manufacturer. If you have any questions, contact the manufacturer.
- Before servicing or cleaning unit, switch power off at service panel and lock service panel to prevent power from being switched on accidentally. When the service disconnecting means cannot be locked, securely fasten a prominent warning device, such as a tag, to the service panel.

⚠ WARNING

FIRE HAZARD

To reduce the risk of a rangetop grease fire:

- **NEVER** leave surface units unattended at high setting. Boilovers cause smoking and greasy spillovers that may ignite. Heat oils slowly on low or medium settings.
- **ALWAYS** turn hood ON when cooking at high heat or when cooking flaming foods (i.e. Crepes suzette, Cherries jubilee, Peppercorn beef flambé).
- Clean ventilating fans frequently. Grease should not be allowed to accumulate on fan or filter.
- Use proper pan size. **ALWAYS** use cookware appropriate for the size of the surface element.

⚠ WARNING

To reduce the risk of injury to persons in the event of a rangetop grease fire, observe the following. (Based on "Kitchen Firesafety Tips," published by NFPA.)

- Smother flames with a close fitted lid, cookie sheet, or metal tray, then turn off the burner. Be careful to prevent burns. If the flames do not go out immediately, Evacuate and call the fire department.
- **NEVER** pick up a flaming pan.
- **DO NOT** use water, including wet dishcloths or towels a violent steam explosion will result.
- Use an extinguisher **ONLY** if:
 - You know it is a Class ABC extinguisher, and you already know how to operate it.
 - The fire is small and contained in the area where it started.
 - The fire department is being called.
 - You can fight the fire with your back to an exit.

⚠ WARNING

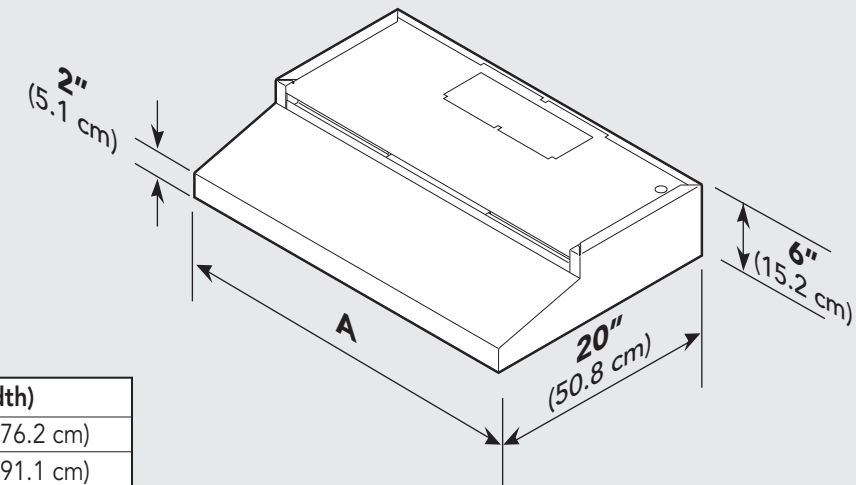
FIRE AND ELECTRICAL SHOCK HAZARD

To reduce the risk of fire, electric shock, or injury to persons, observe the following:

Rangehoods must be installed with the ventilators that are specified on their carton indicating suitability with this model. Other ventilators cannot be substituted.

⚠ CAUTION

For general ventilating use only. **DO NOT** use to exhaust hazardous or explosive materials and vapors.

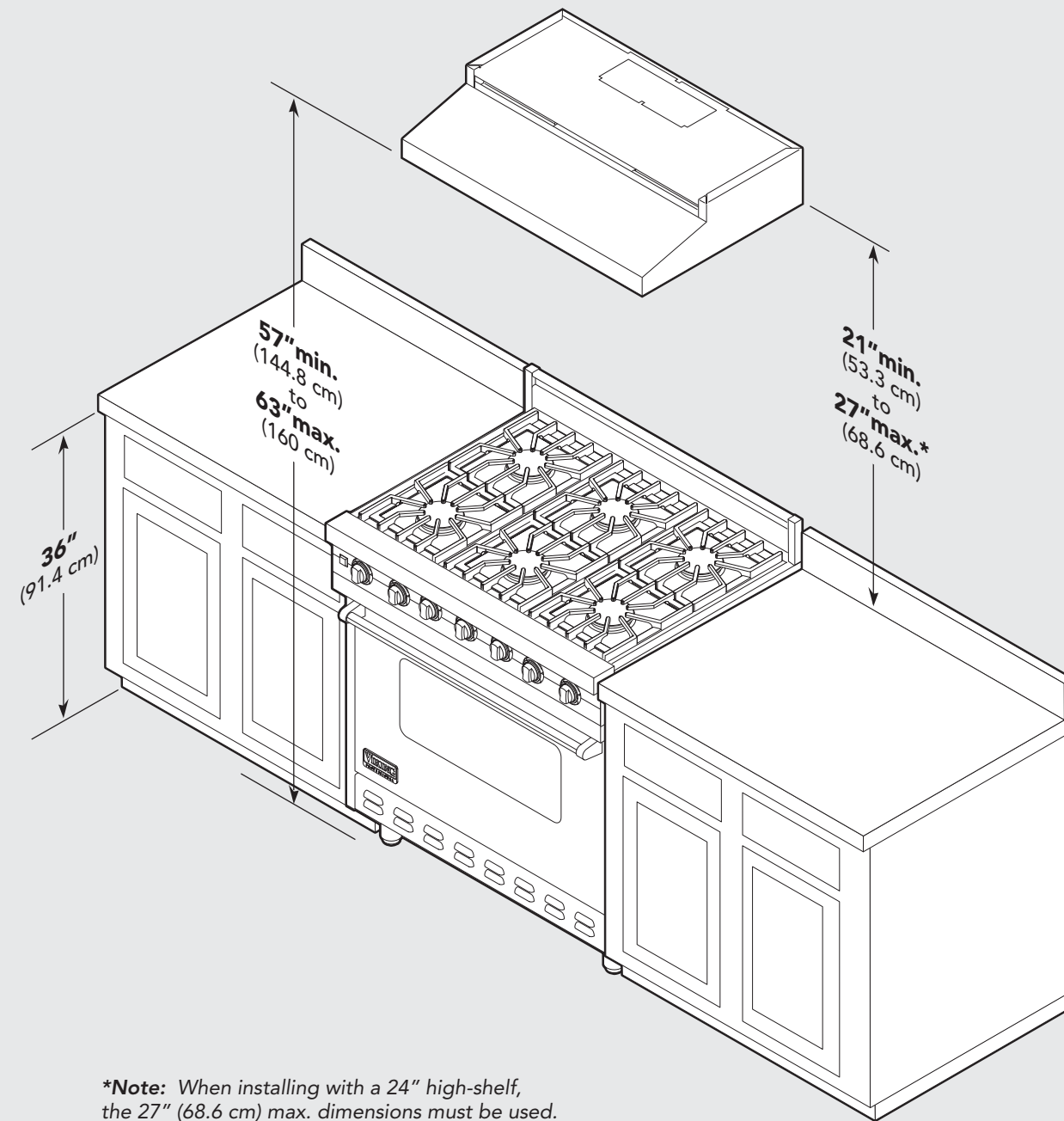


A (Hood width)	
30"W.	29-7/8" (76.2 cm)
36"W.	35-7/8" (91.1 cm)

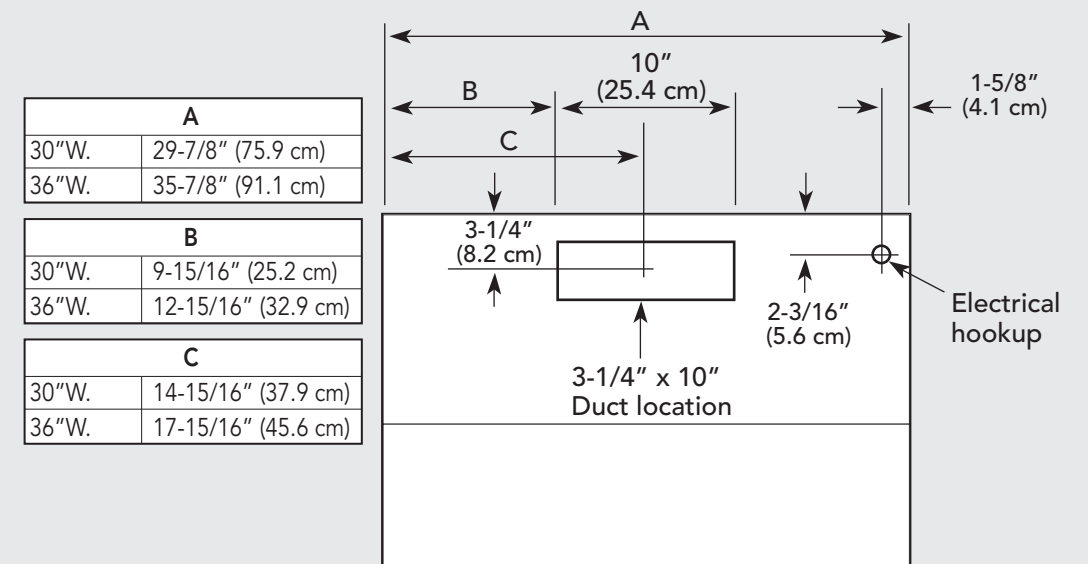
DWH 6"H. Wall Hoods w/Standard Ventilator		
Description	30"	36"
Number of lights	2	
Number of filters	2	
Heat lamps	N/A	
Interior ventilator kit	300 CFM Standard	
Interior duct size*	3-1/4" (9.5 cm) x 10" (25.4 cm)	
Interior—Maximum amps	5.6	

*Note: Disregard when using recirculating setting.
 Note: A 300 CFM blower is shipped with hood.

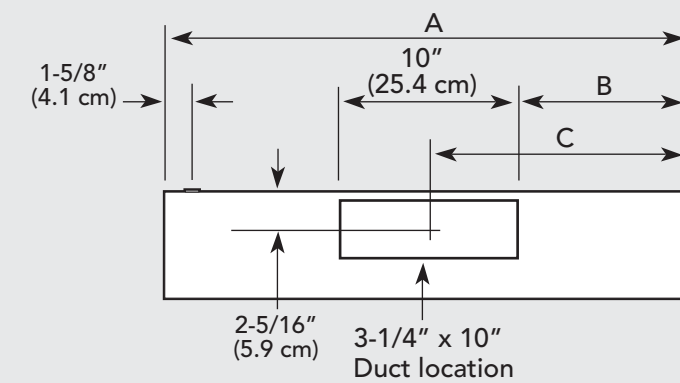
Clearance Dimensions



Interior Ventilator Dimensions



300 CFM Ventilator Installation (Top Duct Option)



300 CFM Ventilator Installation (Rear Duct Option)

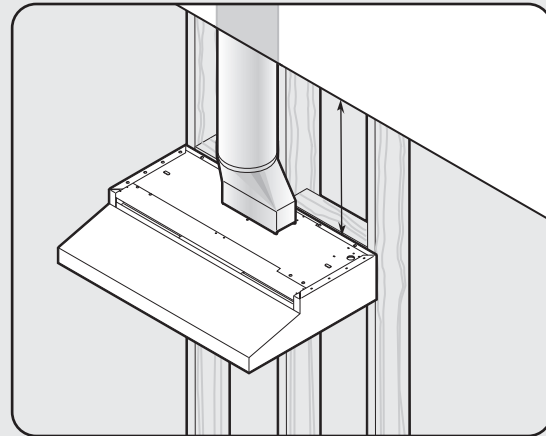
Planning Information

Proper installation of ducting is extremely important to ensure maximum performance from any ventilation product.

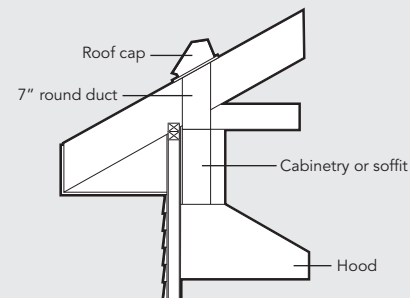
- All CFMs are based on tests at 0.1 static pressure: without applying static pressure, CFM would be greatly overstated.
- Straight runs and gradual turns are best; for example, each 90° elbow is equivalent to 5-10 feet (1.52-3.05 cm) of straight run.
- **NEVER** use flexible duct; it creates back pressure/air turbulence and greatly reduces performance.
- Proper performance is dependent on proper ducting; make sure that a qualified and trained installer is used.
- Check with a qualified and trained installer or local codes for makeup air requirement, if any.
- Max. amp rating for hoods includes recommended ventilator kit rating; all products must be hard wired direct with 2-wire with ground.

Plan where the duct work will be located. Install proper-sized duct work, and roof or wall cap for the type of blower you are using. Recommended hood locations for the most common installations are shown. Adjust your measurements for various heights of ceilings, soffits, cabinets, or ranges/rangehoods.

Check Framing



Note: Because of the weight of the hood make sure that the mounting screws are driven into the framing and not just the drywall. It may be necessary to drill additional holes in the canopy for proper alignment

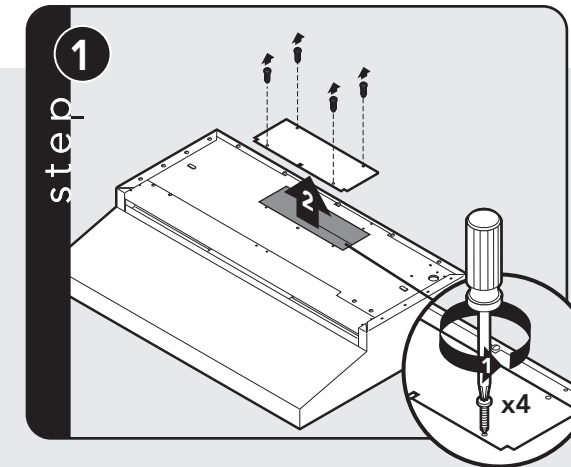


Note: Wall exhaust must be a minimum of 24" (61.0 cm) from ground. This may vary depending on local codes and geographic location

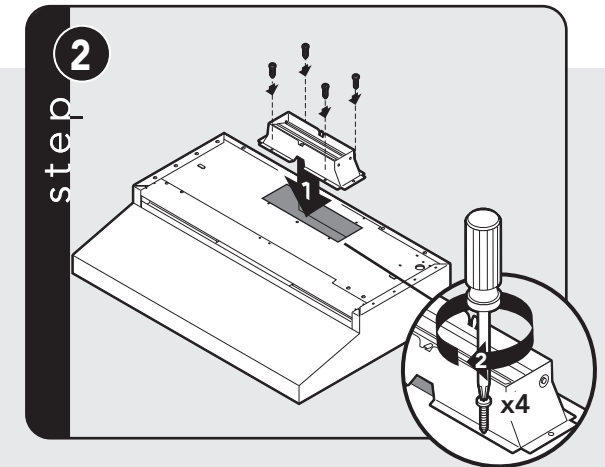
Electrical Supply

Run 120 VAC electrical wiring from service panel to installation location. See Specifications pages for the maximum amp requirements.

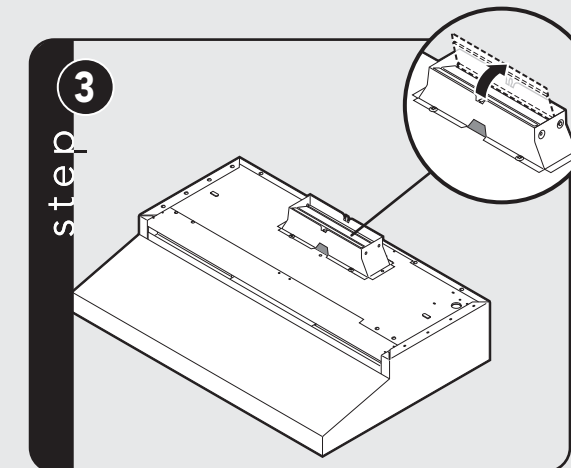
Installation (Top duct)



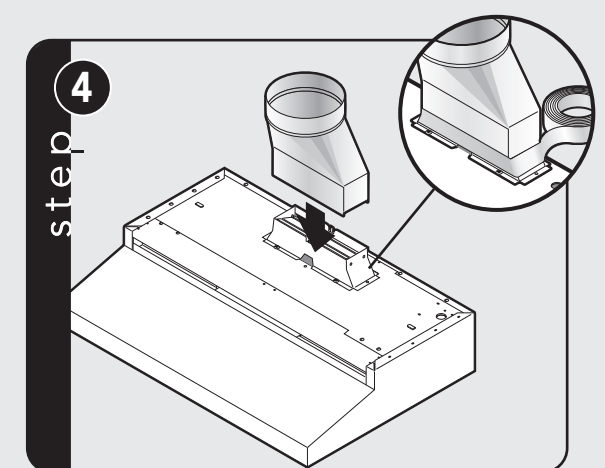
Remove top cover.



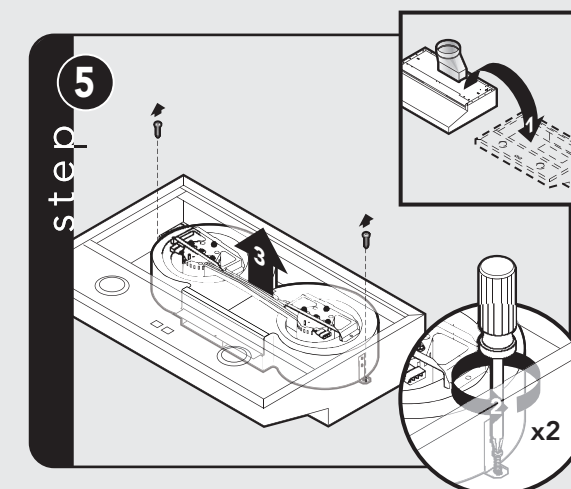
Attach damper.



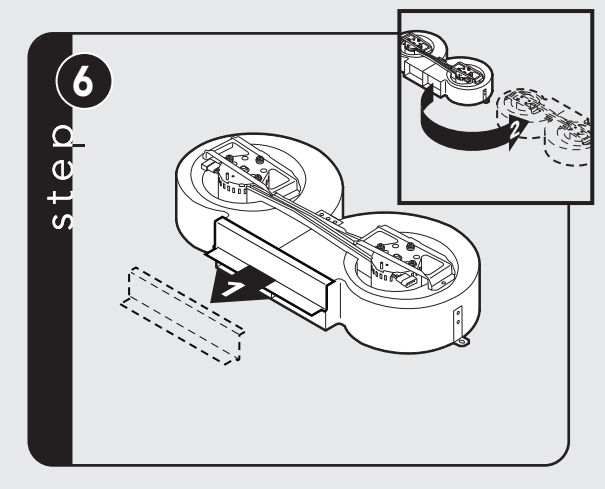
Check damper for unrestricted movement, adjust if necessary.



Attach the **optional and locally supplied** transition to damper. Seal with aluminum tape.

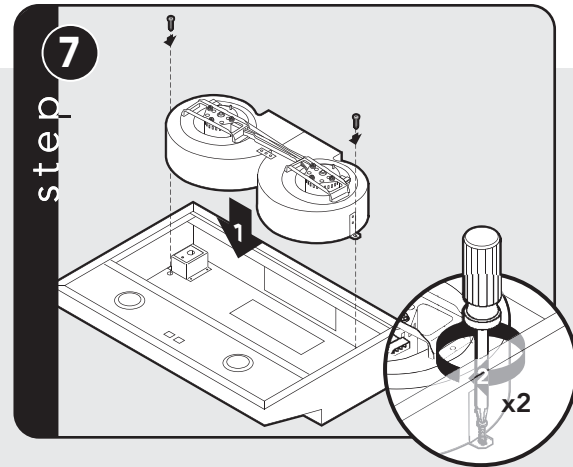


Flip hood over and remove blower.

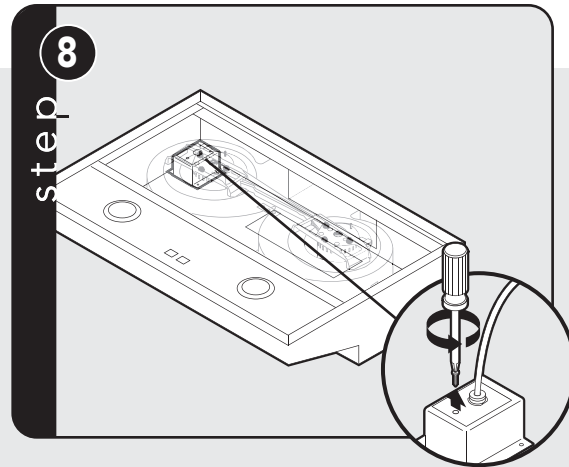


Remove recirculating bracket and turn blower around.

Installation (Top duct cont.)



Reinstall blower. Ensure that blower opening faces the rear of the hood.

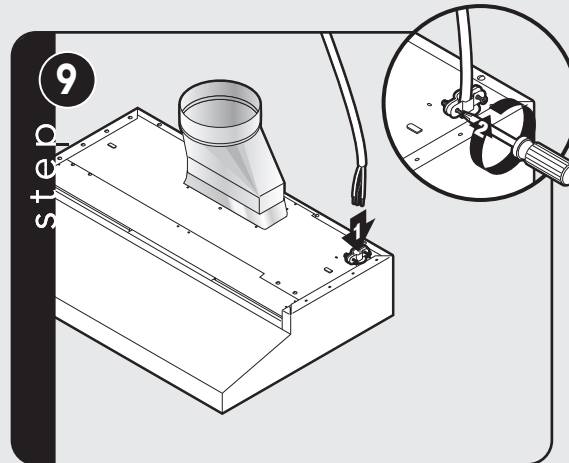


Remove electrical box cover.

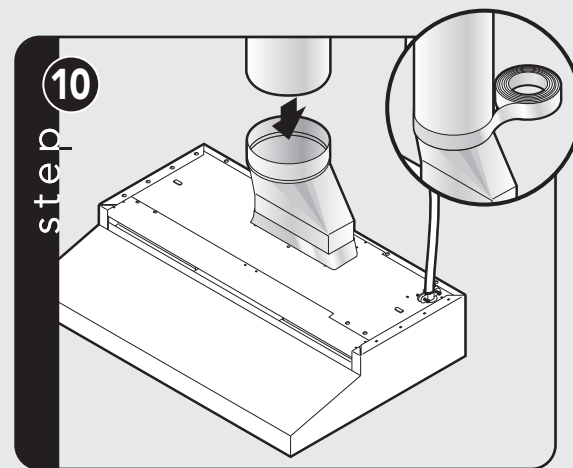
⚠ WARNING

To reduce the risk of fire, electric shock, or injury to persons, observe the following:

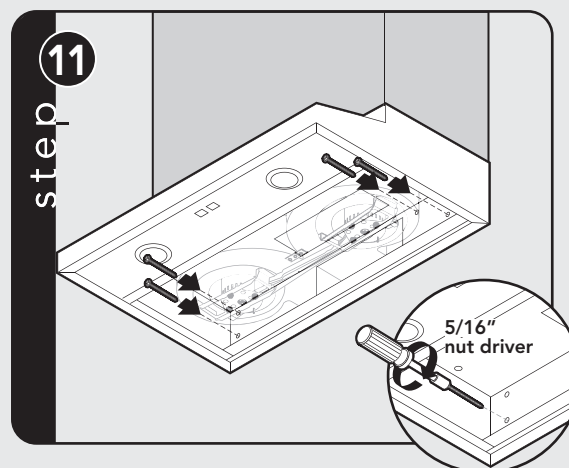
- Use this unit only in the manner intended by the manufacturer. If you have any questions, contact the manufacturer.
- Before servicing or cleaning unit, switch power off at service panel and lock service panel to prevent power from being switched on accidentally. When the service disconnecting means cannot be locked, securely fasten a prominent warning device, such as a tag, to the service panel.



Insert 6" of electrical wiring through the top of vent hood and secure using wiring restraint. Refer to local codes.

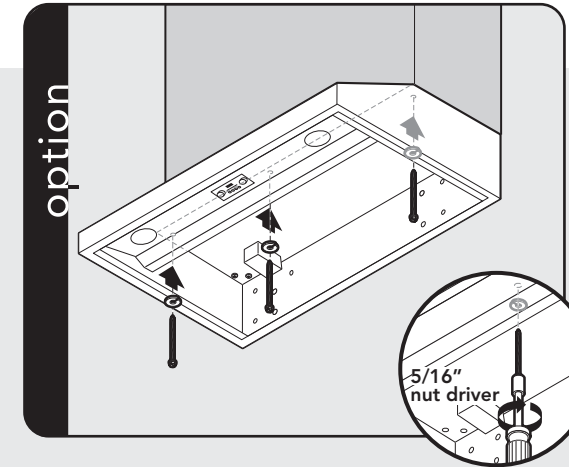


Slide duct over transition and tape around joint.

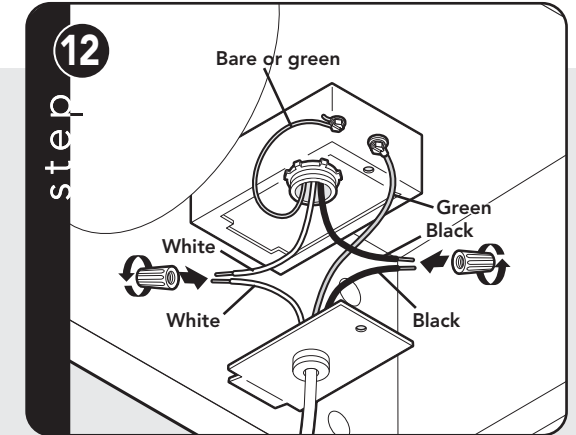


CAUTION: Secure vent hood to wall using screws provided. Use additional mounting screws and wall anchors, if necessary.

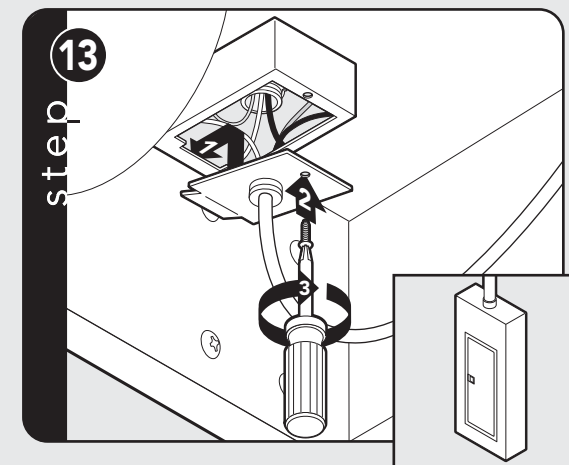
Installation (Top duct cont.)



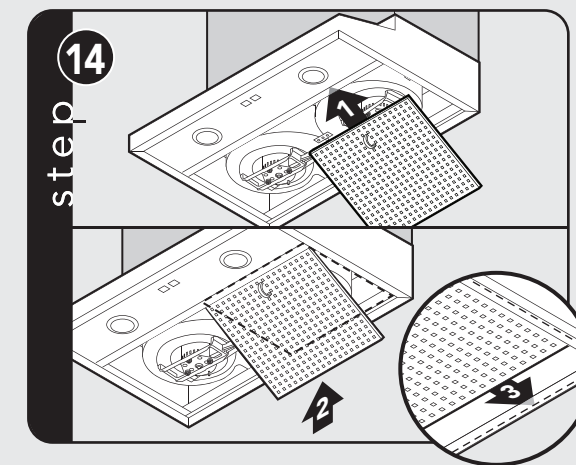
CAUTION: Using screws provided, make sure top mounting screws are secured into soffit or cabinet frame. Use additional mounting screws, if necessary.



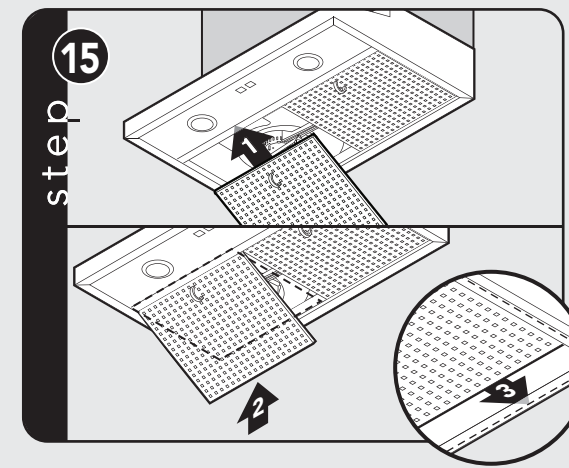
Connect black to black, white to white, and the green/bare wire under the green screw.
Note: Housing wiring must be properly installed for wiring to be correct when wiring unit.



Replace electrical box cover. Make connection to breaker box.

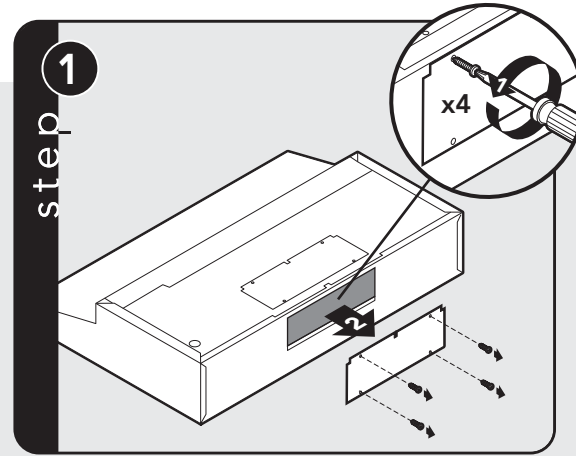


Slide filter front over front lip. Push filter rear up, then slide back over rear lip.

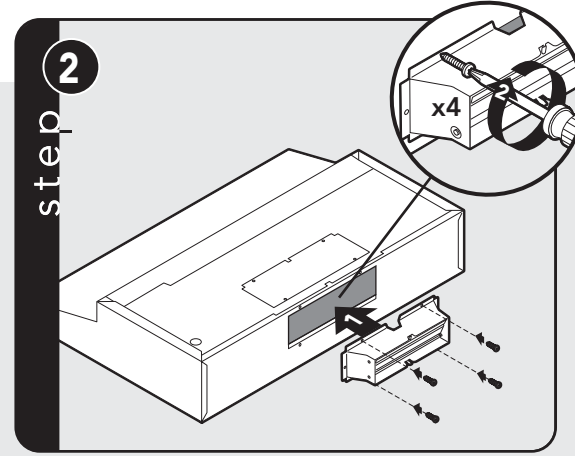


Slide filter front over front lip. Push filter rear up, then slide back over rear lip.

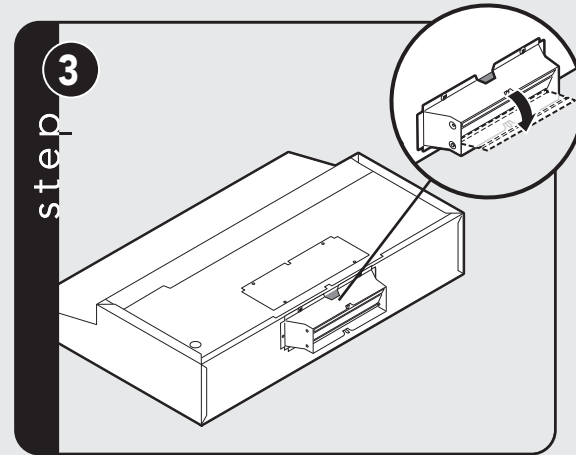
Installation (Rear duct)



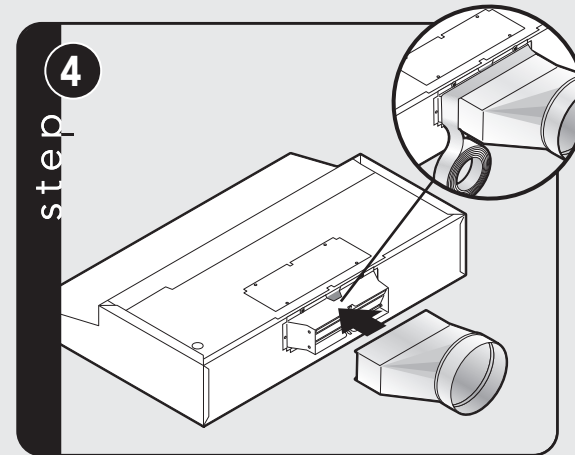
Remove rear cover.



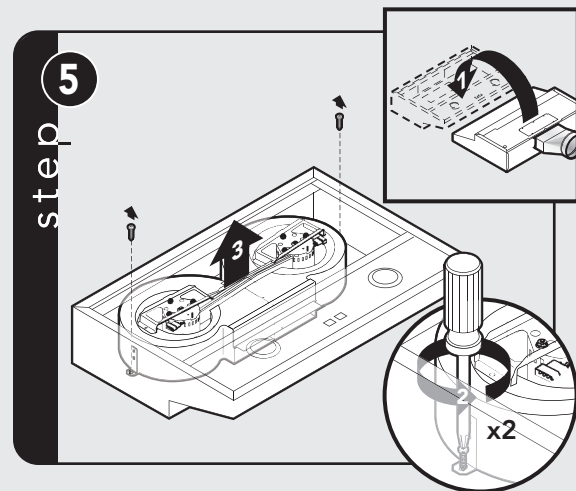
Attach damper.



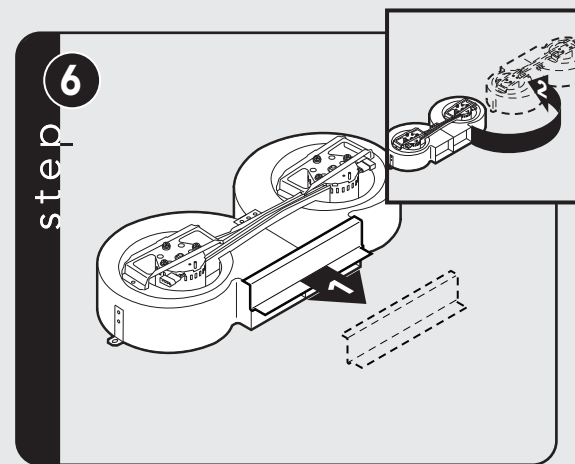
Check damper for unrestricted movement, adjust if necessary.



Attach the **optional and locally supplied** transition to damper. Seal with aluminum tape.

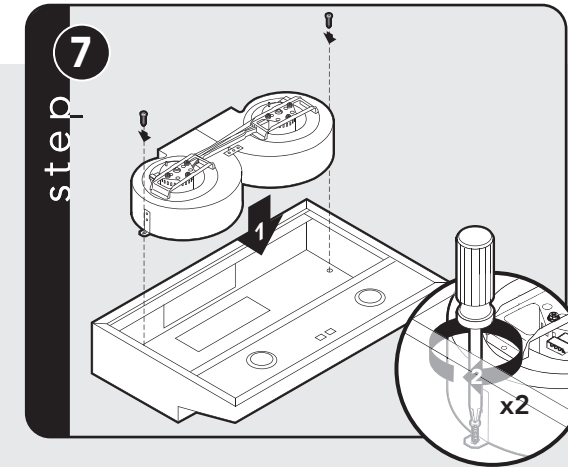


Flip hood over and remove blower.

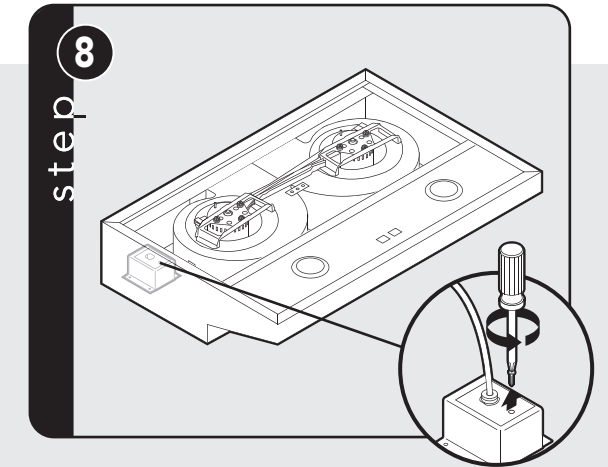


Remove recirculating bracket and turn blower around.

Installation (Rear duct cont.)



Reinstall blower. Ensure that blower opening faces the rear of the hood.

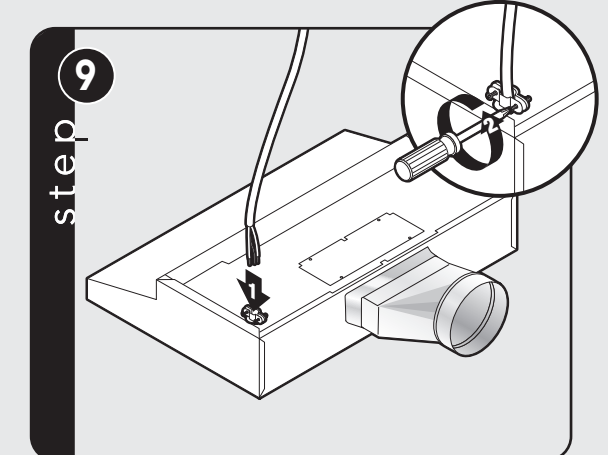


Remove electrical box cover.

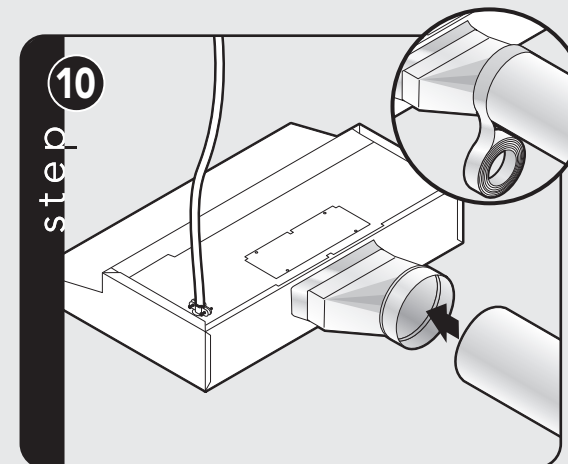
⚠ WARNING

To reduce the risk of fire, electric shock, or injury to persons, observe the following:

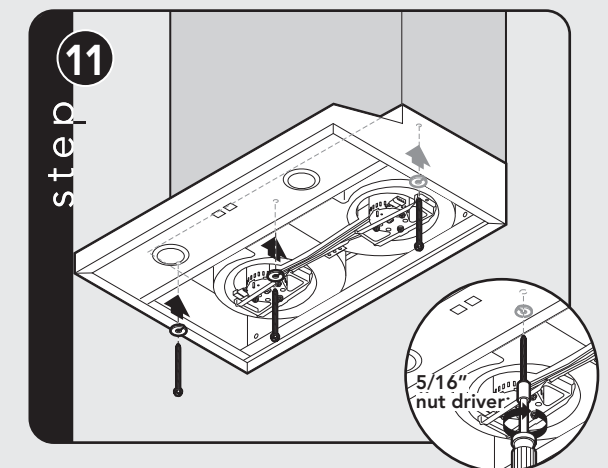
- Use this unit only in the manner intended by the manufacturer. If you have any questions, contact the manufacturer.
- Before servicing or cleaning unit, switch power off at service panel and lock service panel to prevent power from being switched on accidentally. When the service disconnecting means cannot be locked, securely fasten a prominent warning device, such as a tag, to the service panel.



Insert 6" of electrical wiring through the top of vent hood and secure using wiring restrain. Refer to local codes.

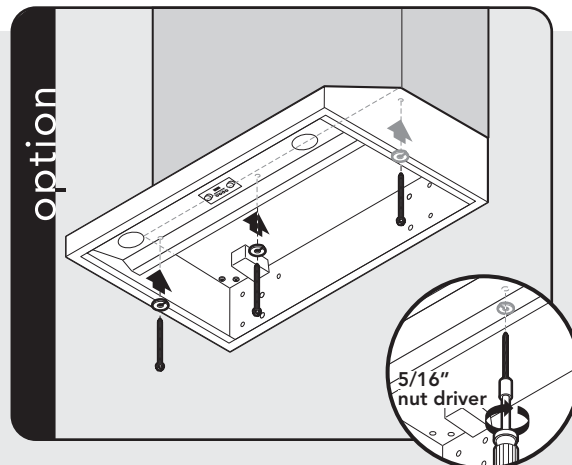


Slide duct over transition and tape around joint.

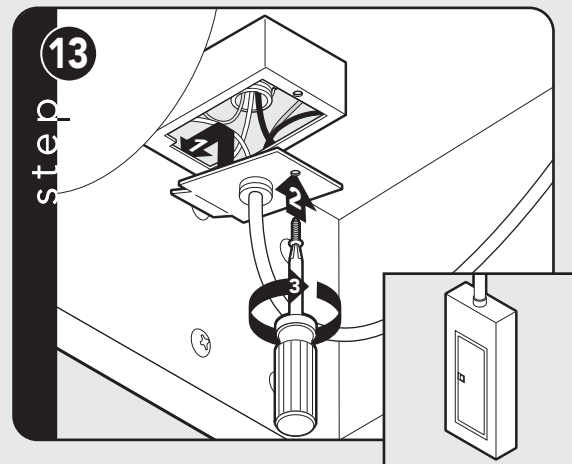


CAUTION: Secure vent hood to wall using screws provided. Use additional mounting screws and wall anchors, if necessary.

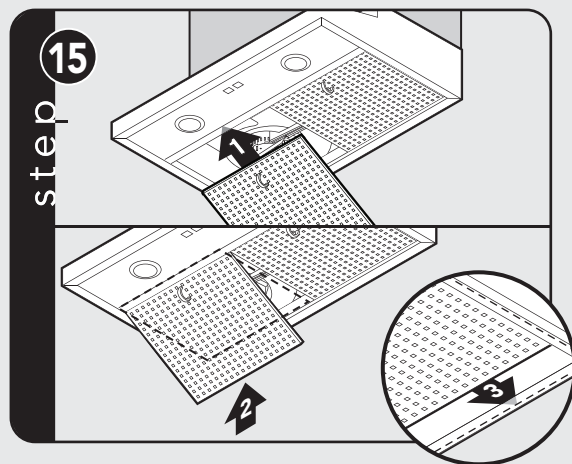
Installation (Rear duct cont.)



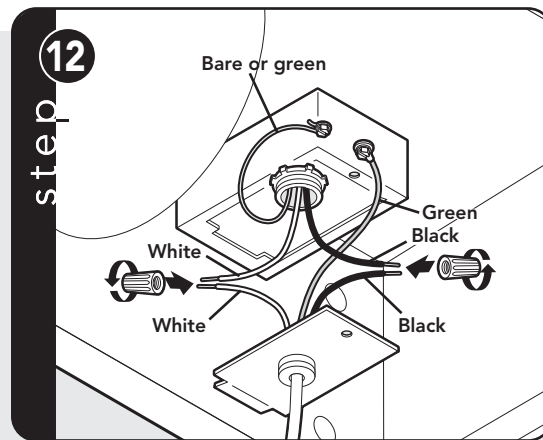
CAUTION: Using screws provided, make sure top mounting screws are secured into soffit or cabinet frame. Use additional mounting screws, if necessary.



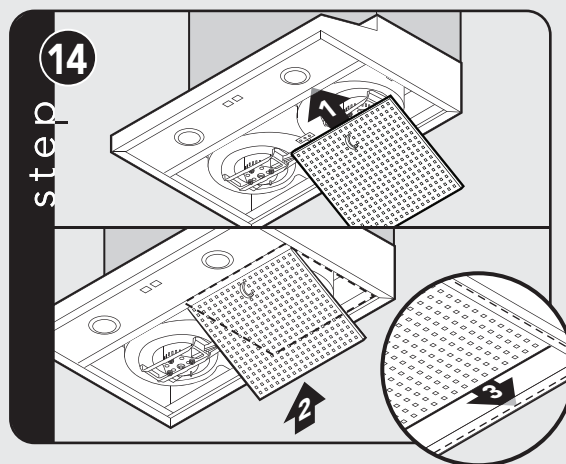
Replace electrical box cover.
Make connection to breaker box.



Slide filter front over front lip. Push filter rear up, then slide back over rear lip.



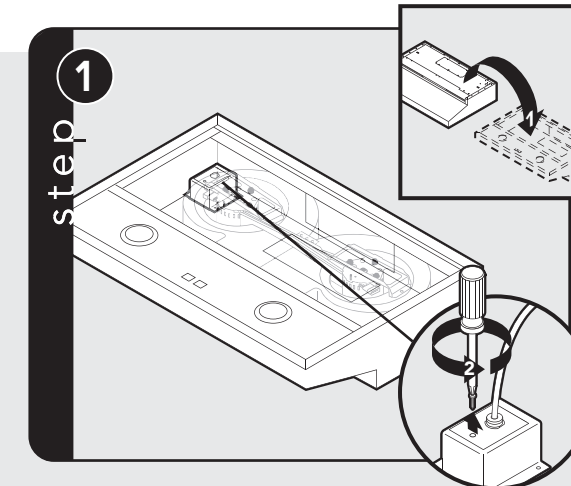
Connect black to black, white to white, and the green/bare wire under the green screw.
Note: Housing wiring must be properly installed for wiring to be correct when wiring unit.



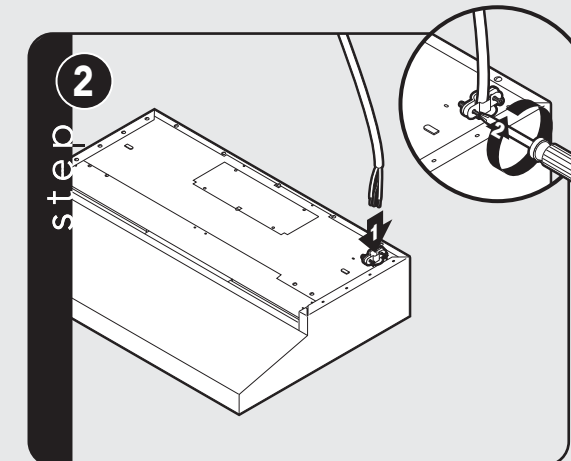
Slide filter front over front lip. Push filter rear up, then slide back over rear lip.

Installation (Recirculating)

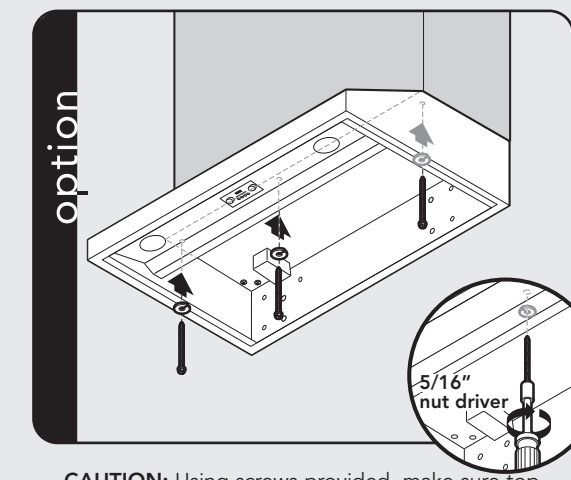
Note: Hood ships set to recirculate



Flip hood over and remove electrical box cover.



Insert 6" of electrical wiring through the top of vent hood and secure using wiring restraint. Refer to local codes.

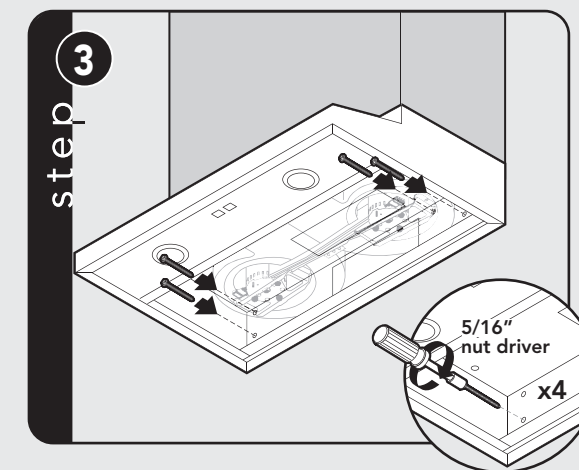


CAUTION: Using screws provided, make sure top mounting screws are secured into soffit or cabinet frame. Use additional mounting screws, if necessary.

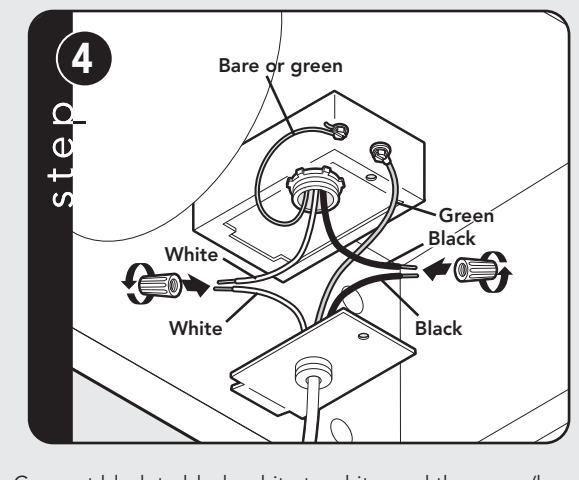
⚠ WARNING

To reduce the risk of fire, electric shock, or injury to persons, observe the following:

- Use this unit only in the manner intended by the manufacturer. If you have any questions, contact the manufacturer.
- Before servicing or cleaning unit, switch power off at service panel and lock service panel to prevent power from being switched on accidentally. When the service disconnecting means cannot be locked, securely fasten a prominent warning device, such as a tag, to the service panel.

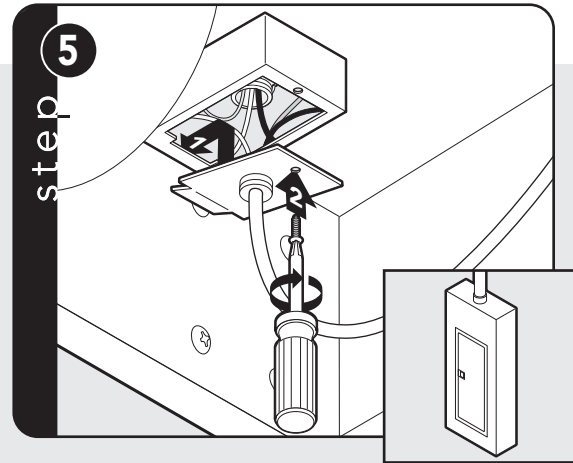


CAUTION: Secure vent hood to wall using screws provided. Use additional mounting screws and wall anchors, if necessary.

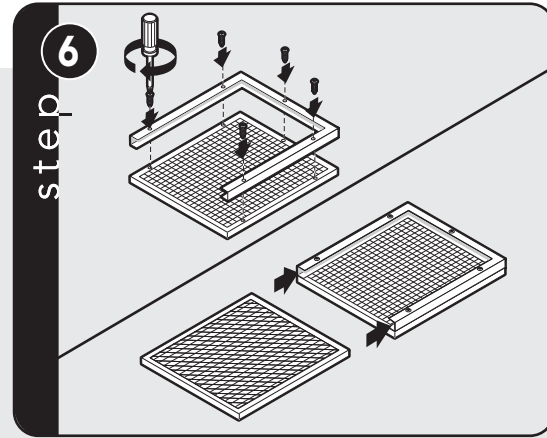


Connect black to black, white to white, and the green/bare wire under the green screw. **Note:** Housing wiring must be properly installed for wiring to be correct when wiring unit.

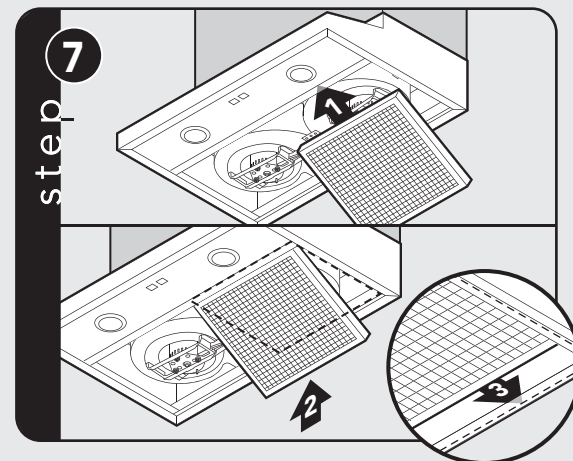
Installation (Recirculating cont.)



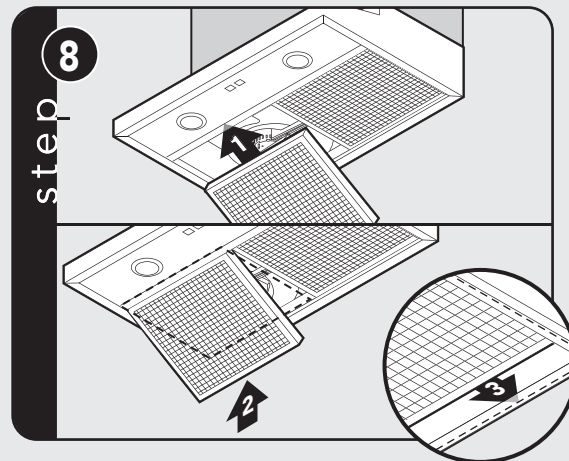
Replace electrical box cover.
Make connection to breaker box.



Assemble brackets to mesh filters
and insert charcoal filters.



Slide filter front over front lip. Push filter
rear up, then slide back over rear lip.



Slide filter front over front lip. Push filter
rear up, then slide back over rear lip.

Service & Registration

Only authorized replacement parts may be used in performing service on the appliance. **DO NOT** repair or replace any part of the appliance unless specifically recommended in this guide. All other servicing should be referred to a qualified technician.

Record the following information indicated below. You will need it if service is ever required. The serial number and model number for your appliance are located on the identification plate mounted on the inside of the hood canopy.

Model number

Serial number

Date of purchase

Date installed

Dealer's name

Address
