

Viking Installation Guide



Viking Range Corporation

111 Front Street

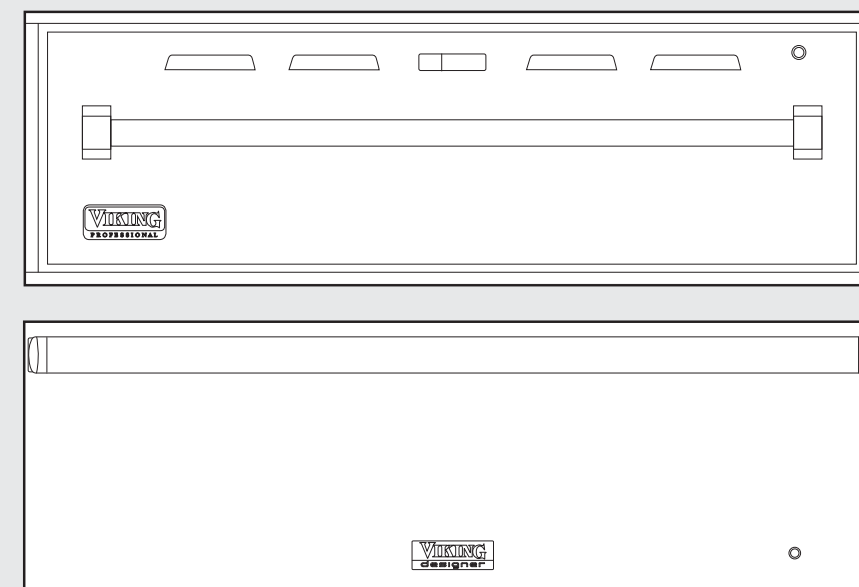
Greenwood, Mississippi 38930 USA

(662) 455-1200

For more product information,
call 1-888-VIKING1 (845-4641) or
visit the Viking web site
vikingrange.com



(092909J)



Built-In Electric Warming Drawers
(Indoor and Outdoor Models)

Table of Contents


Warnings & Important Safety Instructions _____	3
Dimensions _____	4
Specifications _____	6
Cutout Dimensions (VEWD & DEWD) _____	7
Cutout Dimensions (DFWD) _____	8
Electrical Requirements _____	9
General Information _____	10
Installation (VEWD & DEWD) _____	11
Custom Front (DFWD) _____	13
Final Preparation _____	14
Performance Checklist _____	14
Service & Registration _____	15

IMPORTANT— Read and Follow!

- Before beginning, please read these instructions completely and carefully.

Your safety and the safety of others is very important.

We have provided many important safety messages in this manual and on your appliance. Always read and obey all safety messages.

 This is the safety alert symbol. This symbol alerts you to hazards that can kill or hurt you and others.

All safety messages will be preceded by the safety alert symbol and the word “DANGER,” “WARNING” or “CAUTION.” These words mean:

⚠ DANGER

Hazards or unsafe practices which WILL result in severe personal injury or death

⚠ WARNING

Hazards or unsafe practices which COULD result in severe personal injury or death

⚠ CAUTION

Hazards or unsafe practices which COULD result in minor personal injury or property damage.

All safety messages will identify the hazard, tell you how to reduce the chance of injury, and tell you what can happen if the instructions are not followed.

- **DO NOT** remove permanently affixed labels, warnings, or plates from product. This may void the warranty.
- All local and national codes and ordinances must be observed. Installation must conform with local codes, or in the absence of codes, the National Electrical Code, ANSI/NFPA70 - latest edition.

- The installer must leave these instructions with the consumer who should retain for local inspector’s use and for future reference.

In Canada: Installation must be in accordance with the current CSA C22.1 Canadian Electrical Codes Part 1 and/or local codes.

⚠ WARNING

FIRE AND ELECTRICAL SHOCK HAZARD

To reduce the risk of electric shock and fire, **DO NOT** use a flexible power-supply cord with this appliance.



⚠ WARNING

For outdoor installation, installer must install a ground fault interrupt.

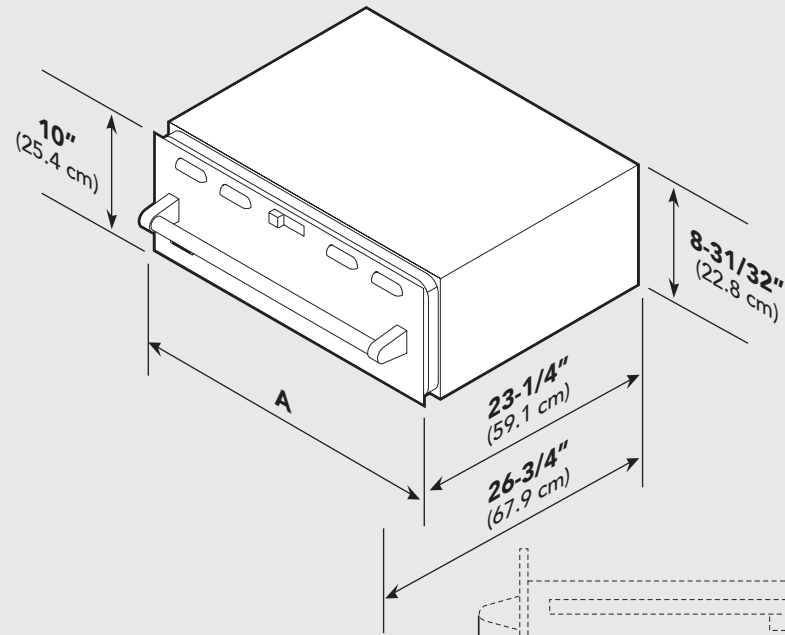
⚠ WARNING

Make sure that incoming voltage is the same as unit rating. An electric rating plate specifying voltage, hertz, wattage, amps, and phase is attached to the product. Wiring the warming drawer with more voltage than it is rated for may cause severe damage to the thermostat, element, and other components. Wiring the warming drawer with less voltage than it is rated for may cause significant decrease in performance.

⚠ WARNING

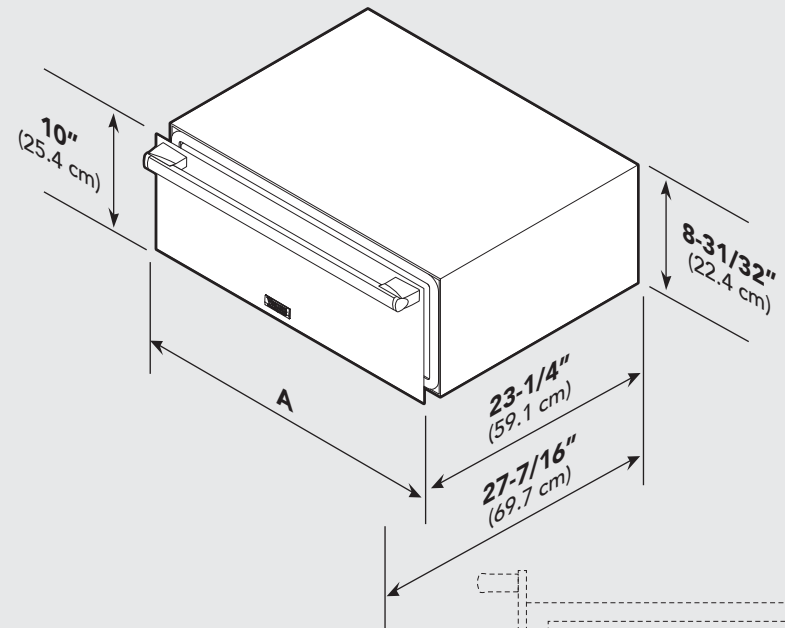
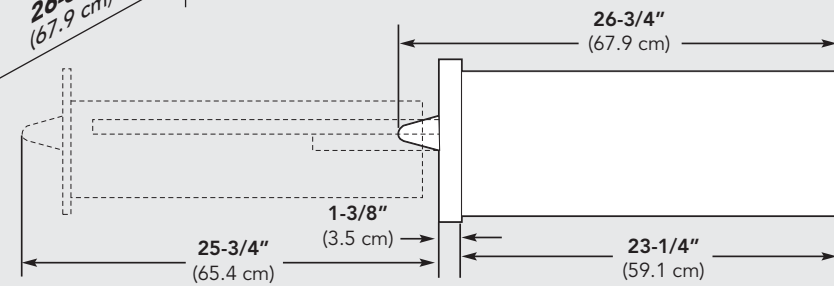
To reduce the risk of fire, electric shock, or injury to persons, installation work and electrical wiring must be done by qualified people in accordance with all applicable codes and standards, including fire-rated conditions.

Dimensions - VEWD & DEWD



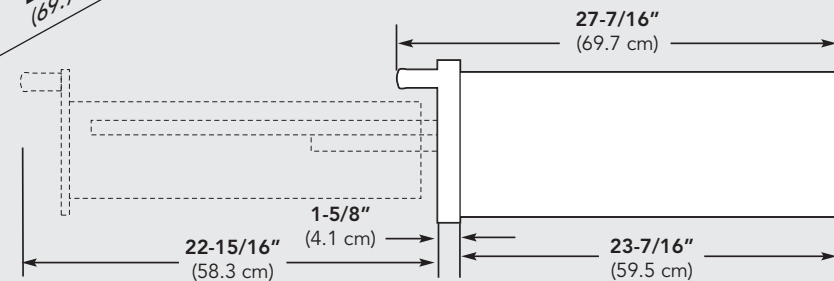
Professional
VEWD173/173T/
103/103T/163/163T

	VEWD173, VEWD173T	VEWD103, VEWD103T	VEWD163, VEWD163T
Overall width A	26-1/2" (67.3 cm)	29-1/2" (74.9 cm)	35-1/4" (89.5 cm)

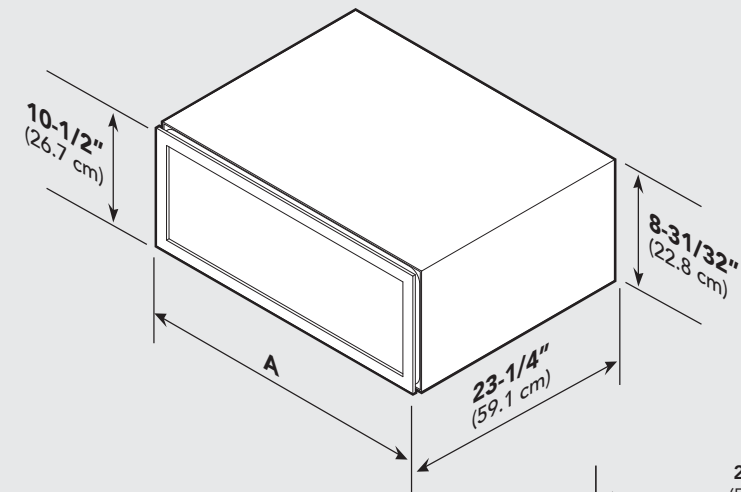


Designer
DEWD102

	DEWD102
Overall width A	29-1/2" (74.9 cm)

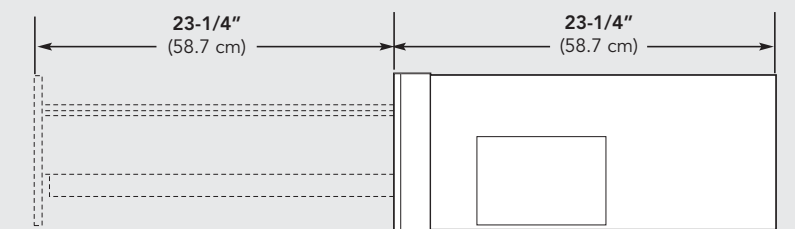


Dimensions - DFWD

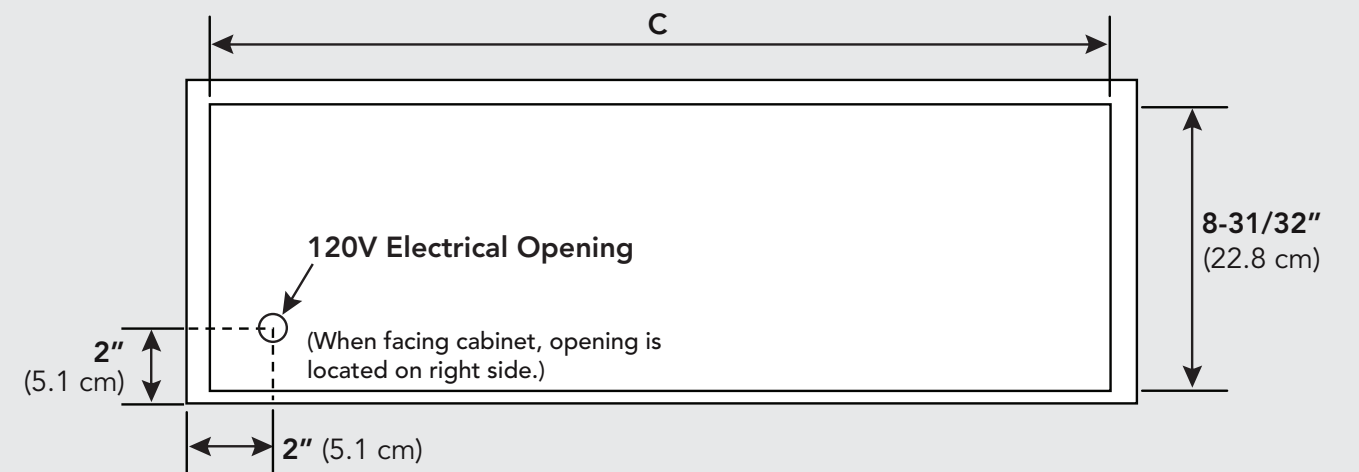


Custom Front
DFWD171/101

	DFWD171	DFWD101
Overall width A	26" (66.0 cm)	29" (73.7 cm)



Rear View
VEWD/DEWD/DFWD

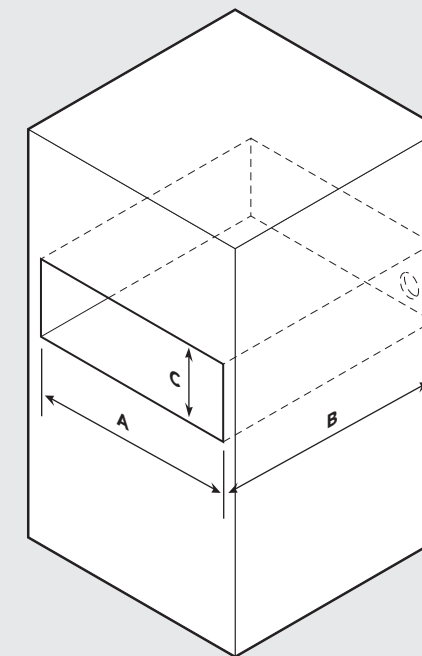


	VEWD173, VEWD173T	DFWD171	VEWD103, VEWD103T, DEWD102	DFWD101	VEWD163, VEWD163T
Overall width C	24-7/8" (63.2 cm)	24-7/8" (63.2 cm)	27-7/8" (70.8 cm)	27-7/8" (70.8 cm)	33-5/8" (85.4 cm)

Specifications

Description	VEWD173, VEWD173T	DFWD171	VEWD103, VEWD103T	DFWD101	VEWD163, VEWD163T	DEWD102
Overall width	26-1/2" (67.3 cm)	26" (66.0 cm)	29-1/2" (74.9 cm)	29" (73.7 cm)	35-1/4" (89.5 cm)	29-1/2" (74.9 cm)
Overall height (from bottom)	10" (25.4 cm)	10-1/2" (26.7 cm)	10" (25.4 cm)	10-1/2" (26.7 cm)	10" (25.4 cm)	10" (25.4 cm)
Overall depth (from rear)	26-3/4" (67.9 cm)					27-7/16" (69.7 cm)
To end of handle	50-3/8" (128.0 cm)					48" (121.9 cm)
With drawer fully extended	46-1/2" (118.1 cm)	50-3/8" (128.0 cm)	46-1/2" (118.1 cm)	50-3/8" (128.0 cm)	48" (121.9 cm)	
Interior width	17-1/4" (43.8 cm)	20-1/2" (52.1 cm)		25" (63.5 cm)	20-1/2" (52.1 cm)	
Interior height	6" (15.2 cm)					
Interior depth	22-3/4" (27.8 cm)					
Electrical Requirements	Hard wire direct with separate 15 amp minimum 2-wire with ground circuit; 120 VAC/50-60 Hz					
Max. Amp Usage	425 watts 3.6 amps	450 watts 3.8 amps		550 watts 4.6 amps	450 watts 3.8 amps	
Approx. shipping wt.	80 lb. (36 kg)	90 lb. (40.5 kg)		110 lb. (49.5 kg)	90 lb. (40.5 kg)	

Cutout Dimensions - VEWD & DEWD



Indoor

	VEWD173	VEWD103	VEWD163	DEWD102*
Cutout width (A)	25-1/4" (64.1 cm)	28-1/4" (71.8 cm)	34" (86.4 cm)	28-1/4" (71.8 cm)
Cutout depth (B)	23-1/2" (59.7 cm)	23-1/2" (59.7 cm)	23-1/2" (59.7 cm)	23-1/2" (59.7 cm)
Cutout height (C)	9-1/4" (23.5 cm)	9-1/4" (23.5 cm)	9-1/4" (23.5 cm)	9-1/4" (23.5 cm)

***DEWD only - Flush Mount Option:**

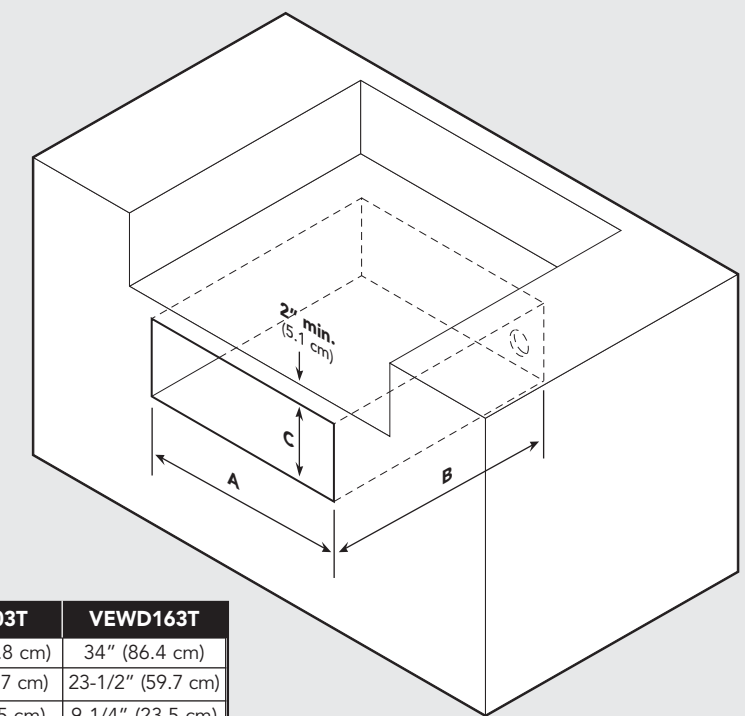
Cutout Width: 29-5/8" (75.3 cm)

Cutout Depth: 25-1/8" (63.8 cm)

Cutout Height: 10-1/8" (25.7 cm)

Note: To install the warming drawer in a flush mount application, the flush mount accessory kit (D30FTW) is required and sold separately.

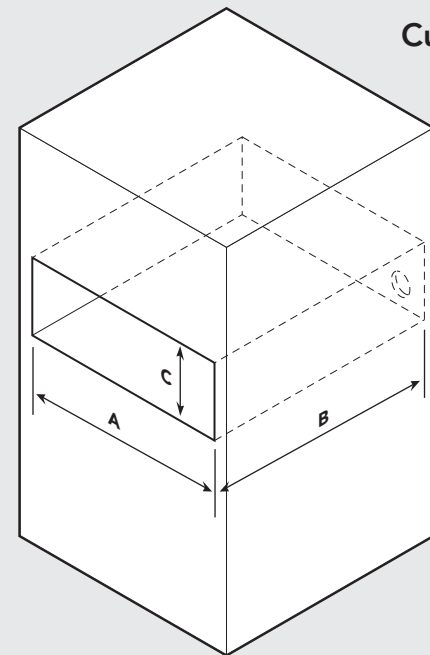
Outdoor



	VEWD173T	VEWD103T	VEWD163T
Cutout width (A)	25-1/4" (64.1 cm)	28-1/4" (71.8 cm)	34" (86.4 cm)
Cutout depth (B)	23-1/2" (59.7 cm)	23-1/2" (59.7 cm)	23-1/2" (59.7 cm)
Cutout height (C)	9-1/4" (23.5 cm)	9-1/4" (23.5 cm)	9-1/4" (23.5 cm)

Note: For Outdoor Models, seal around drawer opening with silicon caulk that is provided.

Cutout Dimensions - DFWD



Custom Front Models

	DFWD172	DFWD102
Cutout width (A)	25-1/4" (64.1 cm)	28-1/4" (71.8 cm)
Cutout depth (B)	23-1/2" (59.7 cm)	23-1/2" (59.7 cm)
Cutout height (C)	9-1/4" (23.5 cm)	9-1/4" (23.5 cm)

Electrical Requirements

Electrical Requirements

Check your national and local codes regarding this unit. Hard wire direct with separate 120V/15 amp minimum 2-wire with ground circuit. Maximum amp usage.

	VEWD173, VEWD173T, DFWD171	VEWD103, VEWD103T, DEWD102, DFWD101	VEWD163, VEWD163T
Max. amp usage	425 watts 3.6 amps	450 watts 3.8 amps	550 watts 4.6 amps

Electrical Connection

Note: Use copper conductors **ONLY!**

Grounding Instructions

This appliance must be connected to a grounded metal, permanent wiring system, or an equipment-grounding conductor must be run with the circuit conductors and connected to the equipment-grounding terminal or lead on the appliance.

With the appliance positioned in front of the cabinet opening, connect wire leads extending from the power supply to the terminal block of the unit. Make sure the colored wires of the terminal block are connected to the corresponding colored wires extending from the power supply.

⚠ WARNING

Electrical shock hazard.
To avoid the risk of electrical shock, personal injury or death; verify electrical power is turned off at the breaker box until the range is installed and ready to operate, installation by an authorized installer only.

General Information

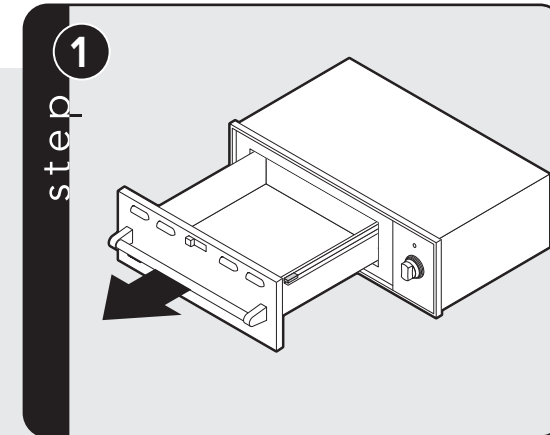
- When installing this unit directly below other units, only install with Viking built-in products.
- Remove warming drawer carefully from carton. Remove all loose packaging and accessories.
- It is the responsibility of the installer to comply with local codes. If no local codes are applicable, wire in accordance with the National Electrical Code, ANSI/NFPA 70 - latest edition.
- **This appliance is not fused. Protect with a proper sized fuse or circuit breaker and a GFI for outdoor models.**
- Line disconnect switch, circuit breaker, GFI (for outdoor models) or plug/receptacle of power cord connection should be readily accessible to the operator.
- Ground unit per applicable electrical codes.
- Any installation not matching the specifications discussed in these instructions will void the manufacturer's warranty.

READ AND FOLLOW ALL WARNING AND CAUTION INFORMATION WHEN INSTALLING THIS APPLIANCE.

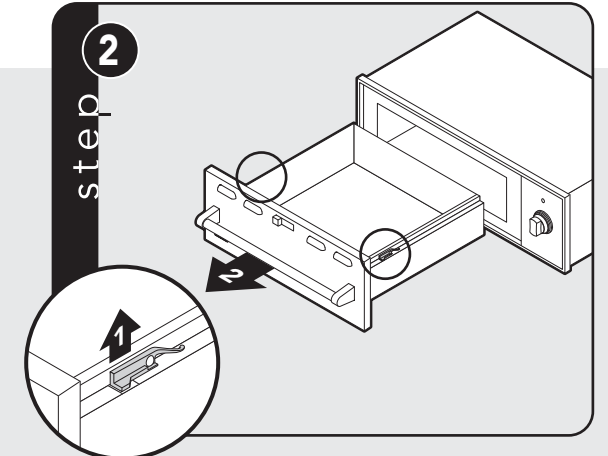
Moving, Handling and Unpacking
Remove and discard all packing materials, including cardboard and tape on the outside and inside of the warming drawer.

Some stainless steel parts may have a plastic protective wrap which must be peeled off. The interior should be washed thoroughly with hot, soapy water to remove film residues and any dust or debris before being used, then rinsed and wiped dry. Solutions stronger than soap and water are rarely needed.

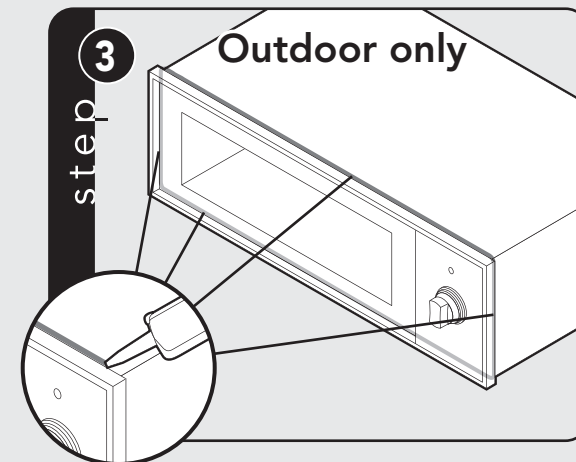
Installation - VEWD & DEWD



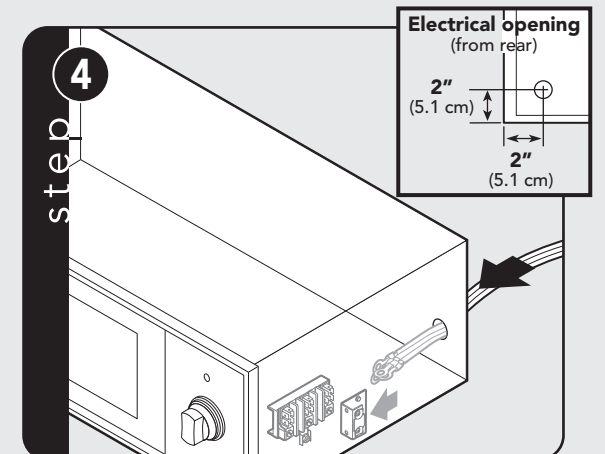
Pull out warming drawer pan until fully extended.



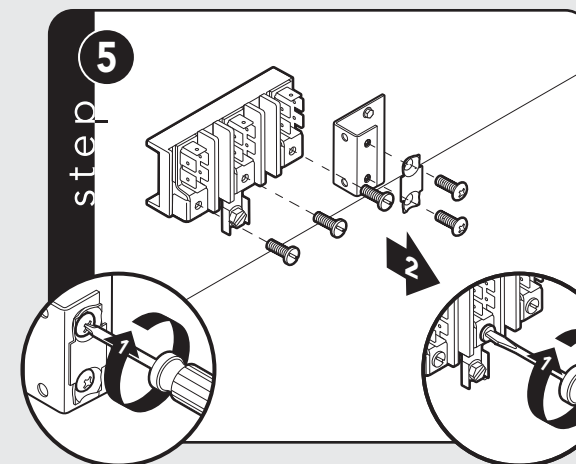
Slide finger along right and left side until you reach the black hand latches (located at the front of the rails). Pull up on both the right and left latches and pull out drawer pan support.



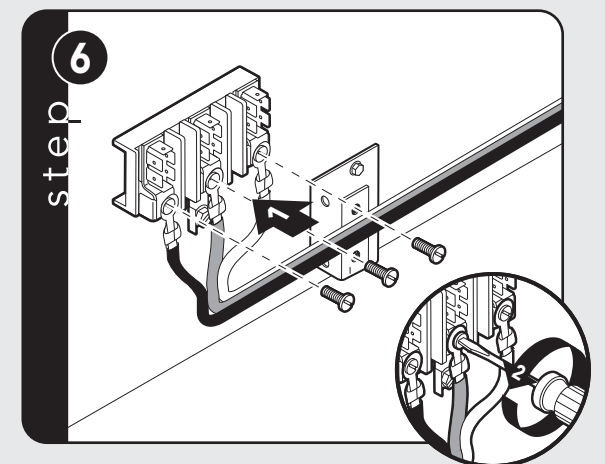
Apply silicone caulk around the back of the warming drawer trim.
Note: For outdoor models ONLY.



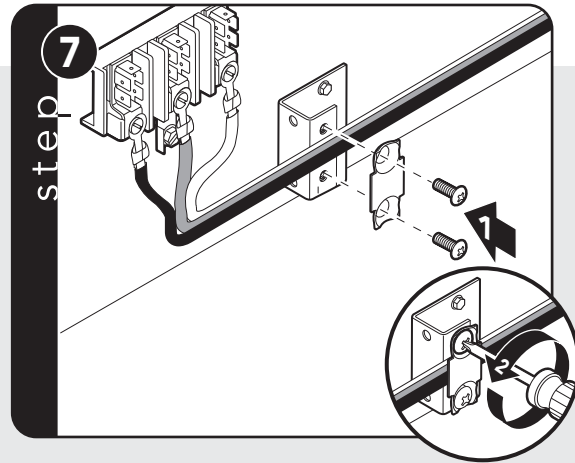
Feed supply cord up through hole in rear of warming drawer.



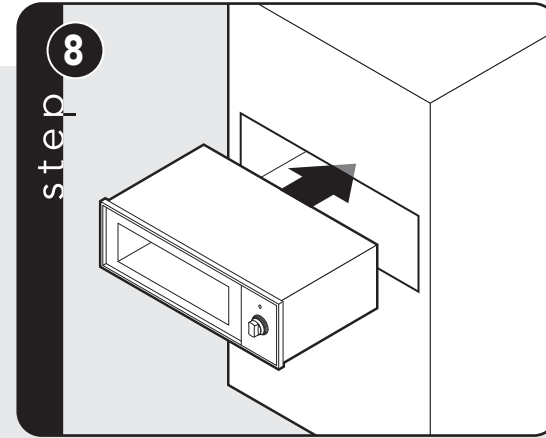
Remove strain relief bracket and mounting screws on the terminals.



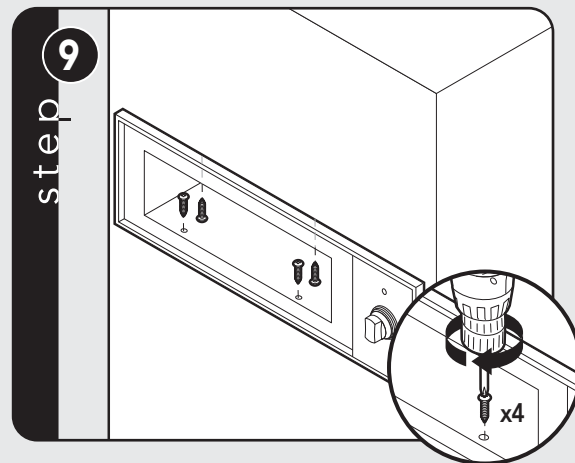
Attach the white (neutral) and black (line) lead terminals. Attach ground wire to the center terminal.



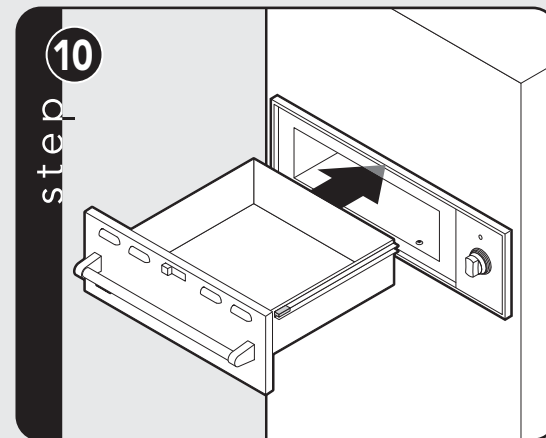
Push supply cord toward terminal block to relieve strain, reattach supply cord strain relief bracket over supply cord.



Slide cavity assembly into the cabinet opening.

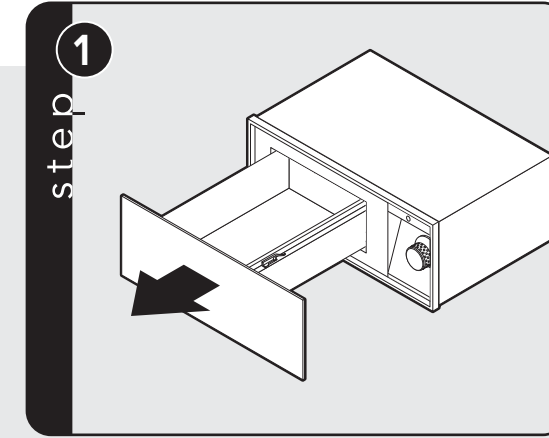


Secure the warming drawer using four #8 mounting screws (four screws provided).

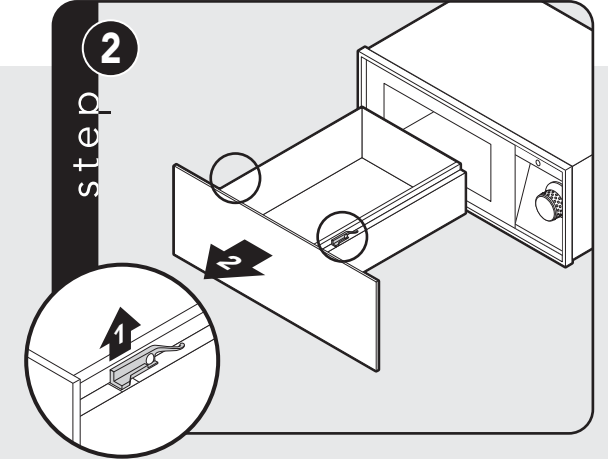


Replace drawer assembly.

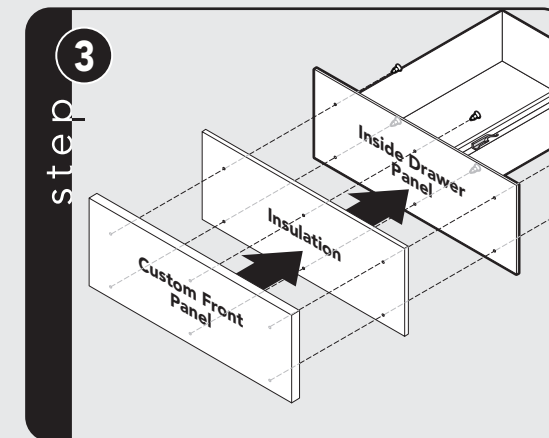
Installation - Custom Front DFWD



Pull out warming drawer pan until fully extended.



Slide finger along right and left side until you reach the black hand latches (located at the front of the rails). Pull up on both the right and left latches and pull out drawer pan support.



Center the custom front on the inside drawer panel. Attach the custom front with the six #8 screws provided.

Note: Make sure insulation provided is used between the custom front and the inside drawer panel.

Final Preparation

- All stainless steel body parts should be wiped with hot, soapy water and with a liquid cleaner designed for this material. If buildup occurs, **DO NOT** use steel wool, abrasive cloths, cleansers, or powders! If it is necessary to scrape stainless steel to remove encrusted materials, soak with hot, wet cloths to loosen the material, then use a wool or nylon scraper. **DO NOT** use a metal knife, spatula, or any other material tool to scrape stainless steel! Scratches are almost impossible to remove.

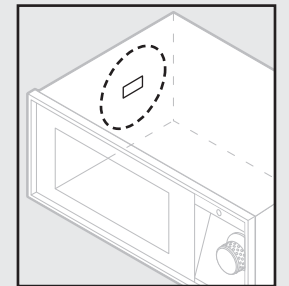
Service & Registration

Only authorized replacement parts may be used in performing service on the appliance. All servicing should be referred to a qualified technician.

Contact Viking Range Corporation, 1-888-VIKING1 (845-4641), for the nearest service parts distributor in your area or write to:

**VIKING RANGE CORPORATION
PREFERRED SERVICE
1803 Hwy 82W
Greenwood, Mississippi 38930 USA**

Warning Drawer – The serial number and model number for your appliance can be found by pulling drawer out until it stops and lifting inner lining. Rating/Serial plate is located on the left, rear side.



Record the following information indicated below. You will need it if service is ever required.

Model number _____

Serial number _____

Date of purchase _____

Date installed _____

Dealer's name _____

Address _____

These installation instructions should remain with the unit for future reference.