

Under-Counter Beverage Center

EI24BC65G S



Integrated Electronic Controls

Reversible side-swing door with integrated electronic controls located conveniently on the top of the door ensure this unit will fit anywhere.



Luxury-Glide™ Racks

With a ball bearing system, racks are so smooth they extend effortlessly.



Luxury-Design™ Lighting

Our ramp-up designer LED lighting is as beautiful as it is functional, keeping your beverages clearly visible. Display lighting feature provides ambient lighting to showcase bottles during storage.



UV-Filtered Glass Door

Tinted window helps protect wine's flavor from deterioration caused by harmful UV rays.

24" UNDER-COUNTER SIDE-SWING BEVERAGE CENTER

Sabbath Mode (Star-K® Certified)	Yes
Capacity	6 Cu. Ft.
Installation Type	Built In/Freestanding

Features

IQ-Touch™ Electronic Controls	Yes
Fully Integrated Control Panel	Yes
Electronic Control Lock	Yes
Blue LED Display	Yes
Frost-Free Performance	Yes
Dynamic Condenser	Yes
PureAdvantage™ Air Filter	Yes
Perfect Set™ Controls	Yes
Display Temp Mode (°C or °F)	Yes
Door Open Acoustic Alarm	Yes
High-Temperature Acoustic Alarm	Yes
Power Failure Acoustic Alarm	Yes
Mute Sound Control	Yes
Luxury-Design™ Lighting	Yes
Exhibit Lighting with Manual Control	Yes
Power-On/Off Control	Yes
Vacation Mode	Yes
Luxury-Glide™ Full-Extension Glass Shelves	3
Luxury-Glide™ Full-Extension Half-Depth Wine Rack	2
Black Soft Coat Wireform Wine Rack	Yes
Metal Front on Racks	Yes

Additional Features

Signature Soft-Arc Door and Handle Design	Yes
UV-Filtered, Tinted Glass Window	Yes
Field-Reversible Door	Yes
Luxury-Close™ Door	Yes
Adjustable Leveling Legs	4

Specifications

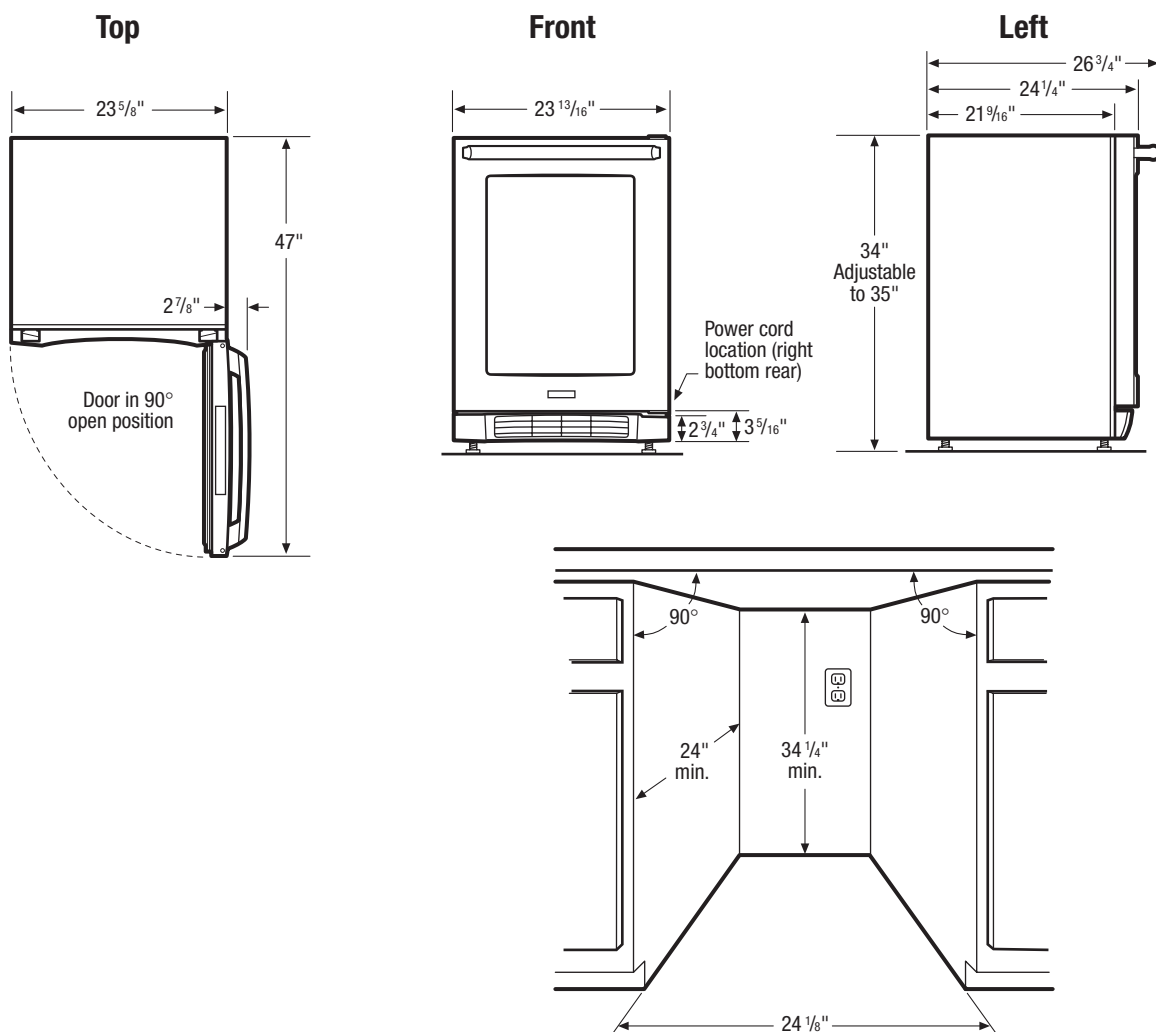
Overall Exterior Dimensions –	
Height (Adjustable)	34" – 35"
Width	23-13/16"
Depth (to Center of Arc) (with 90° Door Open)	24-1/4" 47"
Temperature Range	35° F – 45° F
Power Supply Connection Location	Right Bottom Rear
Voltage Rating	120V/60Hz/15A
Connected Load (kW Rating) @ 120 Volts†	0.15
Minimum Circuit Required (Amps)	15
Product Weight	128 Lbs.
Shipping Weight (Approx.)	137 Lbs.

Optional accessories available on the web at www.electroluxappliances.com.

†For use on adequately wired 120V, dedicated circuit having 2-wire service with a separate ground wire. Appliance must be grounded for safe operation.

NOTE: Always consult local and/or national electric codes. Refer to Product Installation Guide for detailed installation instructions on the web at www.electroluxappliances.com.

Specifications subject to change.



Under-Counter Beverage Center Specifications

- Product Weight – 128 Lbs.
- Voltage Rating – 120V/60Hz/15 Amps
- Connected Load (kW Rating) @ 120 Volts = 0.15kW (For use on adequately wired 120V, dedicated circuit having 2-wire service with a separate ground wire. Appliance must be grounded for safe operation.)
- Amps @ 120 Volts = 6 Amps
- Electrical cable supplied.
- Always consult local and/or national electric codes.
- Can be used freestanding, or built in under counter.
- Does not require additional airspace for top, sides or rear when used in built-in application. Increase unit dimensions by at least 1/4" for recommended rough opening.
- Front grille MUST remain unobstructed for proper ventilation.
- Must be positioned on flat, level surface, capable of supporting entire weight when fully loaded.

- Leveling legs supplied to adjust height and level unit.
- Do not position unit near any heat source to ensure optimum performance.
- Must be positioned to allow for 90° door swing, providing sliding shelves with necessary clearance. (Door is field reversible for right- or left-hand opening.)
- When installing next to wall where handle may make contact, allow 3" clearance between opened door and wall.

Note: For planning purposes only. Refer to Product Installation Guide on the web at electroluxappliances.com for detailed instructions.

Optional Accessories

- Available on the web at www.electroluxappliances.com