

Single Wall Ovens

EW30EW55GS, EW30EW55GW, EW30EW55GB

Featuring Wave-Touch™ Electronic Controls



Luxury-Glide™ Oven Racks

With a ball bearing system, oven racks are so smooth they extend effortlessly.



Sure-2-Fit™ Capacity

Coordinate an entire meal – our oven features 4.2 cubic feet of cooking space with three adjustable baking racks.



Baking Options

Features 7 cooking modes and 10 cooking options including our exclusive Perfect Turkey™ button for large holiday meals. Perfect Convection™ Third Element European Convection System features a variable 2-speed fan for more even cooking.



Luxury-Lighting™

Our ramp-up designer halogen lighting is as beautiful as it is functional and our Luxury-Hold™ oven door stays put at whatever angle you place it.

30" ELECTRIC SINGLE WALL OVENS

Configuration	Single
Sabbath Mode (Star-K® Certified)	Yes

Control Panel Features

Wave-Touch™ Electronic Oven Control	Yes
Keypad Entry of Time & Temperature	Yes
Electronic Clock & Timer	Yes
Temperature Display	Yes
Automatic Oven (Delay, Cook & Off)	Yes
Lockout	Yes
Automatic Oven Shutoff – 12 Hour	Yes
Programmable for °F or °C	Yes

Oven Features

Oven Cavity	4.2 Cu. Ft.
Hidden Bake Element	Yes
Electric Bake Element – 2200 Watts	Yes
Eight-Pass Broil Element – 4000 Watts	Yes
Convection Element – 2500 Watts	Yes
Cobalt Blue Interior	Yes
Self-Clean Options with Door Lock	3
Perfect Convection™ with Variable 2-Speed Fan	Yes

Cooking Modes – Bake, Broil, Convection Bake, Convection Roast, Convection Broil, Keep Warm, Slow Cook	7
--	---

Cooking Options – Perfect Turkey™, Defrost, Dehydrate, Bread Proof, My Favorites, Multi-Stage Cooking, Temperature Probe, Rapid Preheat, Delay Bake, Convection Convert	10
--	----

Luxury-Lighting™ with Dual 40W Halogen Bulbs	Yes
Luxury-Glide™ Racks	2
Conventional Racks	1
Convection Roasting Rack	Yes

Additional Features

Soft-Arc Oven Door and Handle Design	Yes
Luxury-Hold™ Oven Door	Yes
Extra-Large Glass Window	Yes

Accessories

Porcelain Broiler Pan and Insert	Included
3"-high Bottom Trim: S – 903114-9110, W – 903114-9101, B – 903114-9100	Optional

Color/UPC (0-57112-)

Stainless Steel (S)	09707-7
White (W)	09705-3
Black (B)	09706-0

Specifications

Oven Cavity Dimensions –	
Height	16-1/2"
Width	24-1/8"
Depth	18-1/32"

Overall Exterior Dimensions –	
Height (Including Bottom Trim)	29"
Width	30"
Depth (to Front Door Corner) (with 90° Door Open)	24-1/2" 44"

Power Supply Connection Location	Left Bottom Rear
----------------------------------	------------------

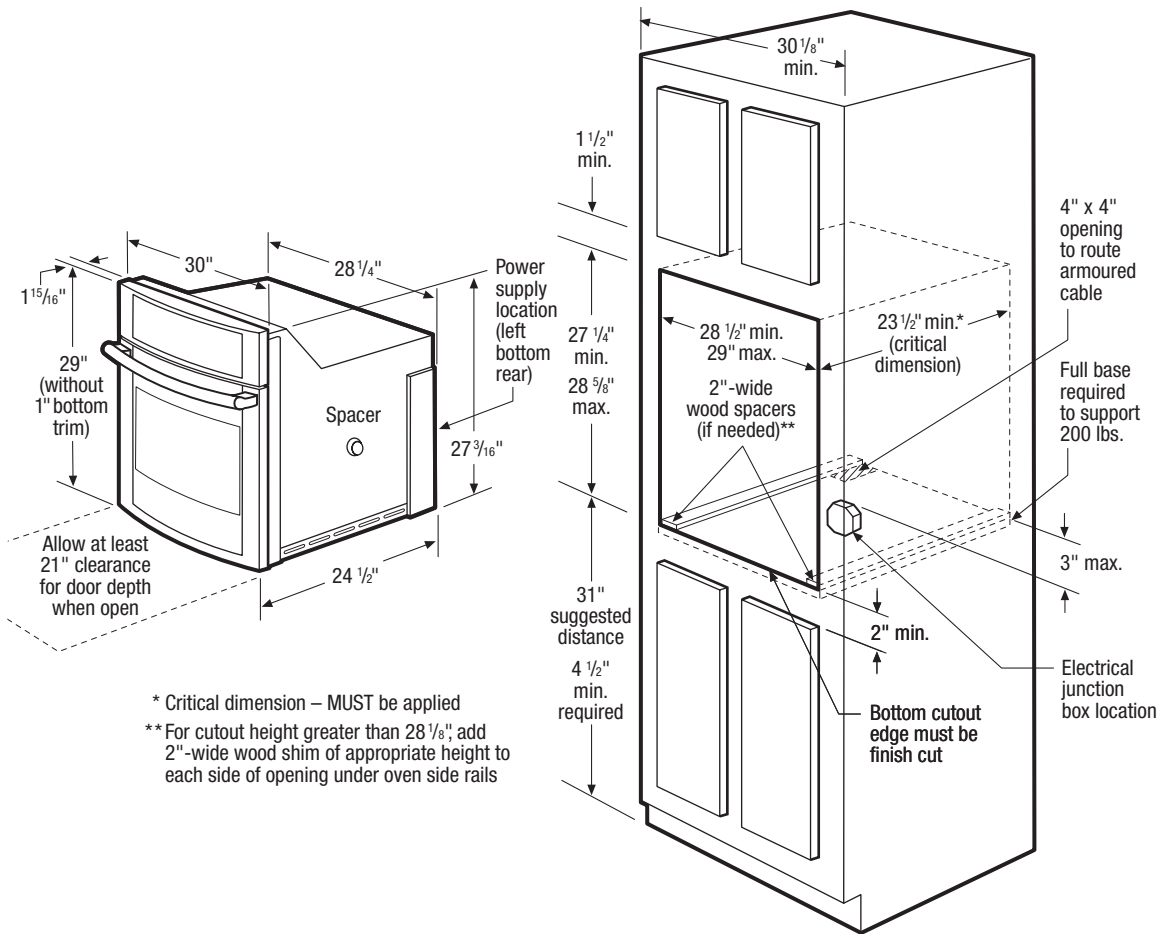
Connected Load (kW Rating) @ 240/208 Volts	4.0/3.0
Amps @ 240/208 Volts	17.0/14.5
Minimum Circuit Required (Amps)	20

Armored Electrical Cable	Included
Approved for Under-Counter Installation*	Yes

Product Weight	200 Lbs.
Shipping Weight	218 Lbs.

*Single Wall Oven is approved to be used beneath Electrolux gas cooktop models EW30GC55G and EW36GC55G; and Electrolux electric cooktop models EW30CC55G, EW36CC55G, EW30EC55G and EW36EC55G.

NOTE: Always consult local and/or national electric codes. Refer to Product Installation Guide for detailed installation instructions on the web at www.electroluxappliances.com. Specifications subject to change.



30" Electric Single Wall Ovens Specifications

- Product Weight – 200 Lbs.
- Single phase 3- or 4-wire cable, 120/240 or 120/208 Volt, 60 Hertz AC only electrical supply with ground required on separate circuit fused on both sides of line.
- Connected Load (kW Rating) @ 240/208 Volts = 4.0/3.0kW
- Amps @ 240/208 Volts = 17.0/14.5 Amps
- Recommended Circuit Breaker – 20 Amps
- Always consult local and/or national electric codes.
- Minimum 21" clearance for oven door depth when open.
- Suggested distance from floor is 31". Minimum required distance is 4-1/2".
- Minimum 23-1/2" deep cutout dimension is critical for proper installation, to ensure that oven's faceplate will fit flush against cabinet front.
- For cutout height greater than 28-1/8", add a 2"-wide wood shim of appropriate height to each side of opening under oven side rails.
- Standard 1"-high Bottom Trim included.
- To adapt Single Wall Oven to fit cutout height greater than 28-5/8", optional 3"-high, Bottom Trim available.

- Full oven base of solid plywood or similar material required, capable of supporting 200 Lbs.
- Base must be level and cabinet front must be square with finish-cut bottom edge.
- Single Wall Ovens are NOT approved to be used in stackable or side-by-side installation.
- Single Wall Ovens are approved to be used in under-counter installation.
- Single Wall Ovens are approved to be used beneath Electrolux gas cooktop models EW30GC55G and EW36GC55G; and electric cooktop models EW30EC55G, EW36EC55G, EW30CC55G and EW36CC55G.
- Single Wall Ovens are approved to be used in combination with any Electrolux Warmer Drawer.

Note: For planning purposes only. Refer to Product Installation Guide on the web at electroluxappliances.com for detailed instructions.

Optional Accessories

- 3"-high Bottom Trim: S – (903114-9110), W – (903114-9101), B – (903114-9100).