



Zoneline[®] Air Conditioners

Safety Instructions2

Operating Instructions

Air Direction4

Auxiliary Controls5-9

Controls3

Vent Control4

Care and Cleaning

Air Filters11

Base Pan10

Outdoor Coils10

Room Cabinet and Case10

Ventilation Filter10

Installation Instructions

Electrical Supply14-16

Installing the Zoneline17, 18

Preparation12

Replacing an Existing Unit? ..13

Troubleshooting Tips19, 20

Normal Operating Sounds20

Consumer Support

Consumer Support ...Back Cover

Product Registration21, 22

Warranty23

**Owner's Manual and
Installation Instructions**

Heat Pump Model 5800

Español

For a Spanish version of this manual, visit our Website at ge.com.

Para consultar una version en español de este manual de instrucciones, visite nuestro sitio de internet ge.com.

Française

For a French version of this manual, visit our Website at ge.com.

Pour une version française de ce manuel d'utilisation, veuillez visiter notre site web à l'adresse ge.com.

Write the model and serial numbers here:

Model # _____

Serial # _____

Find these numbers on a label behind the room cabinet on the base pan.



IMPORTANT SAFETY INFORMATION. READ ALL INSTRUCTIONS BEFORE USING.

⚠ WARNING!

For your safety, the information in this manual must be followed to minimize the risk of fire or explosion, electric shock, or to prevent property damage, personal injury, or loss of life.



SAFETY PRECAUTIONS

- This Zoneline must be properly installed in accordance with the Installation Instructions before it is used. See the Installation Instructions in the back of this manual.
- Replace immediately all electric service cords that have become frayed or otherwise damaged. A damaged power supply cord must be replaced with a new power supply cord obtained from the manufacturer and not repaired. Do not use a cord that shows cracks or abrasion damage along its length or at either the plug or connector end.
- Unplug or disconnect the Zoneline at the fuse box or circuit breaker before making any repairs.

NOTE: We strongly recommend that any servicing be performed by a qualified individual.

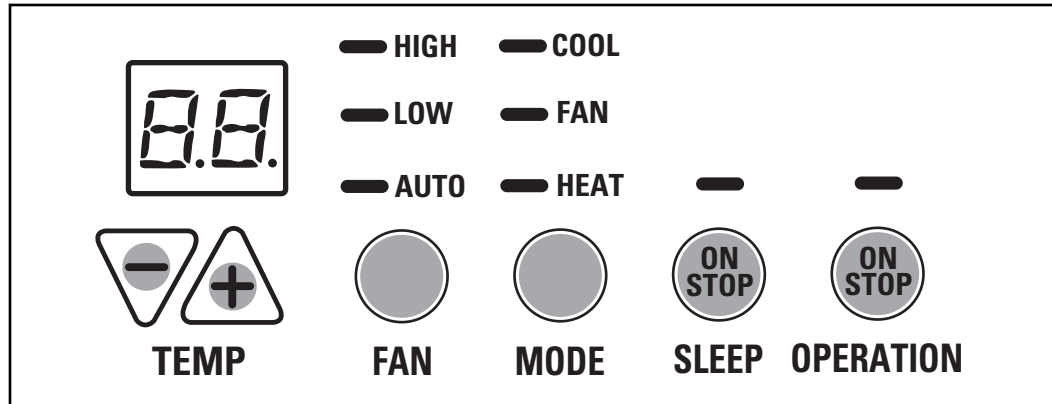
Replacing an existing unit?

For details, see the Installation Instructions in this manual.



READ AND FOLLOW THIS SAFETY INFORMATION CAREFULLY.

SAVE THESE INSTRUCTIONS



TEMP CONTROL FAN, MODE & SLEEP OPERATION

1

2



Controls

1 Temp Control

The temp control is used to maintain the room temperature. The compressor will cycle on and off to keep the room at the same level of comfort.

Press the + pad to raise the temperature.

Press the - pad to lower the temperature.

When the outdoor temperature is lower than 25°F, heat is provided by the electric heater in the air conditioner instead of by the heat pump.

2 Sleep

Press to set the air conditioner to run for 8 hours before it automatically returns to the previous setting.

When in the cooling mode and the sleep timer is set, the set temperature will automatically increase 2°F after the second hour then 1°F each hour over the next two hours. Also, the fan speed will change to low. When in the heating mode, the set temperature will decrease in the same manner.

To cancel the sleep mode, press the **MODE** pad or the **SLEEP** pad a second time.

2 Fan, Mode & Operation Control

FAN—sets the fan operation for **HIGH**, **LOW** or **AUTO** speed. When set at **AUTO**, it automatically switches between **LOW** and **HIGH** as room temperature changes.

MODE—COOL—For cooling

FAN—For fan-only operation

HEAT—For heating

OPERATION—ON/STOP—Turns the unit on or off. Power remains connected to the Zoneline. The Freeze Sentinel feature still functions if switch 6 is enabled (UP). See the *Freeze Sentinel* section.

NOTE: The temperature display will flash to indicate a possible unit malfunction. See the *Before you call for service* section.

About Your Heat Pump

Heat pumps can save money by removing heat from the outside air—even when the outside temperature is below freezing—and releasing that heat indoors.

To get the best performance from your heat pump, don't change the room thermostat very often. Raising the heat setting 2–3 degrees will cause the Zoneline to use its electric heating elements in order to reach the new temperature setting quickly.

There is a three minute minimum compressor run time at any setting to prevent short cycling. The indoor fan motor starts before the compressor and stops after the compressor cycles off.

The electric heating elements use much more electricity than heat pumps and cost more to operate.

Other features your Zoneline may have.

Ventilation Control

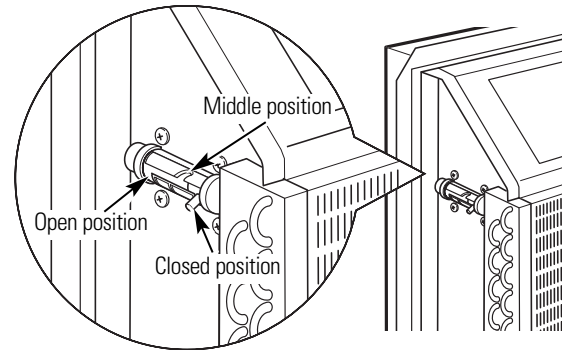
The ventilation control lever is located at the upper left side of the Zoneline unit, behind the room cabinet.

NOTE: The vent door shipping hardware must be removed before using the vent control lever. See the Installation Instructions in this manual.

When set at the closed position, only the air inside the room is circulated and filtered.

When set at the open or middle position, some outdoor air will be drawn into the room. This will reduce the heating or cooling efficiency.

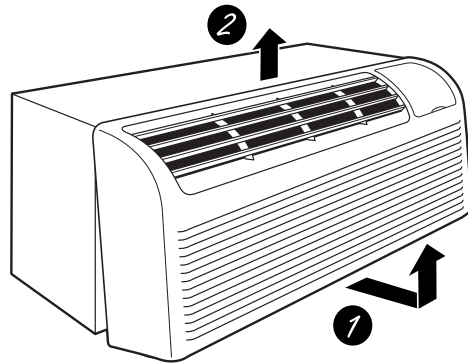
Energy Tip: Keep the vent control at the closed position. The room air will be filtered and circulated.



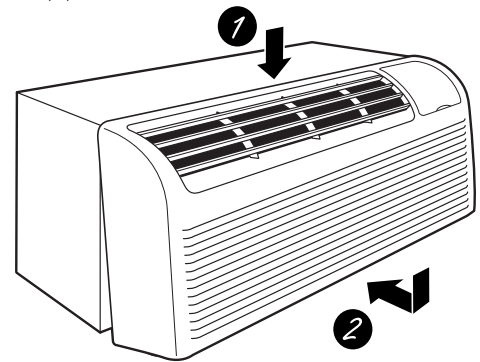
To Remove the Room Cabinet

Additional controls are located behind the room cabinet.

To remove: Pull out at the bottom to release it from the tabs (1). Then lift up (2).

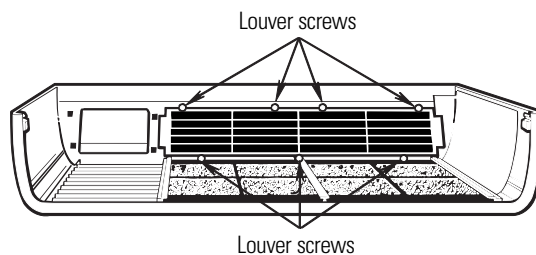


To replace: Place the tabs over the top rail (1). Push inward at the bottom until it snaps into place (2).

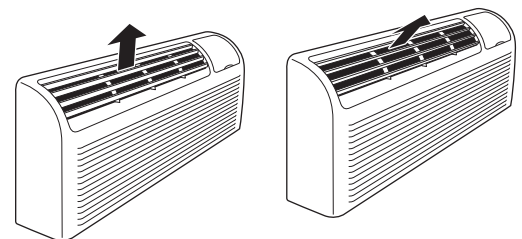


Air Direction

To adjust the air direction, remove the room cabinet. Remove the 7 louver screws that hold the louver insert in place. Flip the louver insert 180°, replace the screws and the room cabinet.



Remove the room cabinet and flip the louver insert to change the air direction.

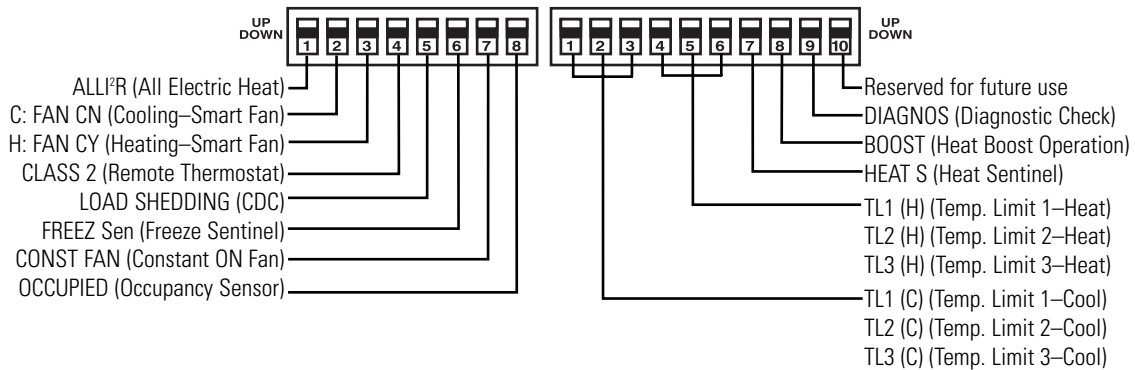
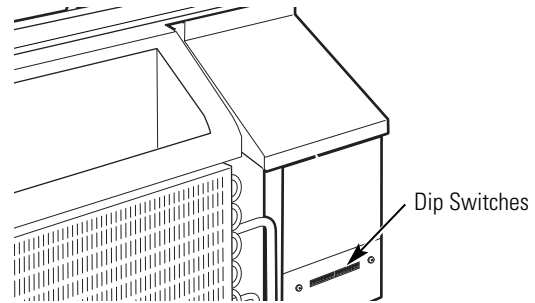


Auxiliary Controls – Dip Switches

The auxiliary dip switch controls are located behind the room cabinet, through an opening below the control panel.

Remove the room cabinet. See the *To Remove the Room Cabinet* section.

The owner is responsible for checking switches and ensuring they are in the desired position.



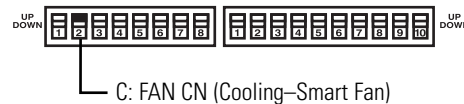
All Electric Heat

When this switch is enabled (**UP**), heat pump operation is locked out, causing the unit to provide only electric resistance heat.



Cooling–Smart Fan

When this switch is enabled (**UP**), it allows the indoor fan to cycle on/off with the compressor. When this switch is disabled (**DOWN**), it allows the indoor fan to run continuously.



Heating–Smart Fan

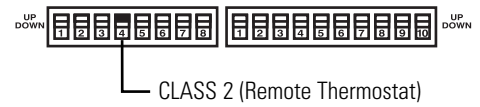
When this switch is enabled (**UP**), it allows the indoor fan to run continuously. When this switch is disabled (**DOWN**), it allows the indoor fan to cycle on/off with the heat pump or heater operation.



Auxiliary controls on your Zoneline.

Remote Thermostat—Class 2

When this switch is enabled (**UP**), it allows the unit to operate off of a Class 2 Remote Control Wall Thermostat. The unit controls are disabled.



Load Shedding (CDC)

This feature is active only if the unit is in CDC mode. When this switch is enabled (**UP**), the indoor fan can be turned ON or OFF with the unit controls.



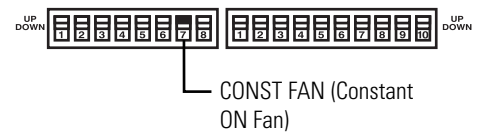
Freeze Sentinel

When this switch is enabled (**UP**), it turns OFF the freeze sentinel protection feature. With the switch disabled (**DOWN**), the freeze sentinel is activated which automatically provides heat without user interface. This helps to prevent plumbing damage by turning the heater and indoor fan ON at 41° F and OFF at 46°F.



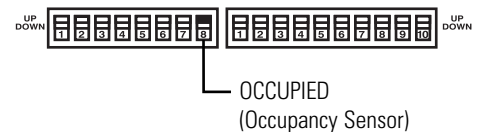
Constant ON Fan

When this switch is enabled (**UP**), it allows the indoor fan to run continuously, at high speed, even if the unit is in the STOP position.



Occupancy Sensor

When this switch is enabled (**UP**), it allows the unit to utilize an infrared motion sensor and a door switch for occupancy detection. This feature allows an energy management system to be installed and operated in conjunction with the unit.



Temperature Limiting

Temperature limiting can reduce energy costs by limiting the lowest temperature that can be set for cooling and the highest temperature that can be set for heating. Temperature limiting is controlled by switches 1–6 on the second block

of auxiliary controls. The first three switches are used to select the cooling limits. The next three switches are used to control the heating limits. This feature is not available with the Remote Thermostat–Class 2.



TL1 (C) (Temp. Limit 1–Cool)
 TL2 (C) (Temp. Limit 2–Cool)
 TL3 (C) (Temp. Limit 3–Cool)



TL1 (H) (Temp. Limit 1–Heat)
 TL2 (H) (Temp. Limit 2–Heat)
 TL3 (H) (Temp. Limit 3–Heat)

UP	DOWN	Minimum	Maximum
NONE	1, 2, 3	60°	85°
1	2, 3	64°	85°
1, 2	3	66°	85°
2	1, 3	68°	85°
2,3	1	70°	85°
1, 2, 3	NONE	72°	85°
1, 3	2	74°	85°
3	1, 2	76°	85°

UP	DOWN	Minimum	Maximum
NONE	4, 5, 6	60°	85°
4	5, 6	60°	80°
4, 5	6	60°	78°
5	4, 6	60°	76°
5,6	4	60°	74°
4, 5, 6	NONE	60°	72°
4, 6	5	60°	70°
6	4, 5	60°	65°

Heat Sentinel

When this switch is enabled (**UP**), it turns ON the heat sentinel protection feature. With the switch disabled (**DOWN**), the heat sentinel is de-activated. This feature automatically provides cooling without user interface. This helps to prevent an excessively hot room by turning the air conditioner ON at 85°F and OFF at 80°F.



Heat Sentinel

Heat Boost

When this switch is enabled (**UP**) and outdoor temperatures are between 20° F and 46° F, heat pump only operation is locked out. This setting is used to provide supplementary heat to the heat pump operation in conditions where the heat pump only operation is not sufficient to maintain a consistent, comfortable room temperature to the consumer.



BOOST (Heat Boost Operation)

Diagnostics Check–For Technician’s Use Only

When this switch is enabled (**UP**), the unit will go through an operations check of all components, which takes about 3 minutes (176 seconds). This diagnostic tool is intended for use by a qualified technician.



DIAGNOS (Diagnostic Check)

Auxiliary controls on your Zoneline.

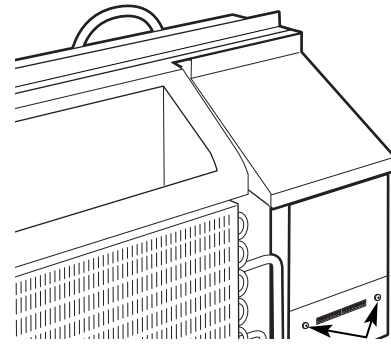
Auxiliary Controls—Terminal Connections

The auxiliary controls are located behind the room cabinet below the control panel.

- 1 Remove the room cabinet. See the *To Remove the Room Cabinet* section.
- 2 Remove the screws from the lower panel front cover and lift the panel off.
- 3 After all desired settings have been made, replace the panel and room cabinet by reversing the above steps.

The owner is responsible for making all connections and setting the appropriate dip switches.

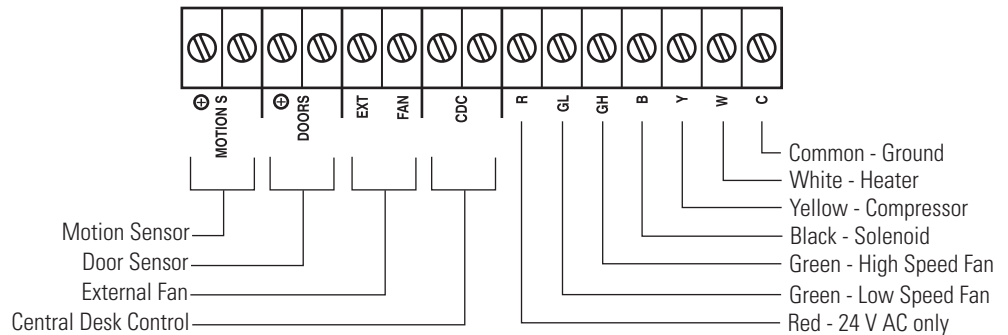
Insert the building hook-up wires into the bottom of the terminal and tighten screw securely to make the desired connections.



Remove screws and panel to access terminal connections

CAUTION:

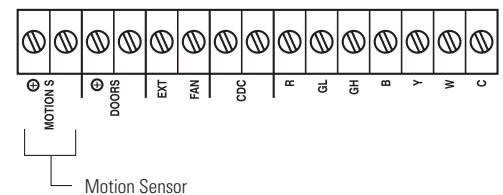
Improper wiring may damage the Zoneline electronics. No common bussing is permitted. Damage or erratic operation may result. A separate wire pair must be run from each separate controlling switch to each individual Zoneline.



Motion Sensor (Obtained locally)

When connected, the wall mounted motion sensor will detect motion in the room and automatically turn the unit ON or OFF.

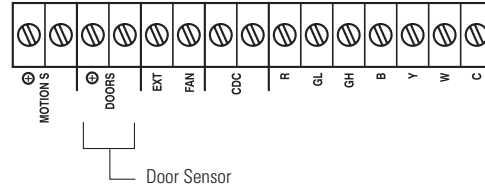
The door and motion sensors work together to automatically turn the unit ON or OFF.



Door Sensor (Obtained locally)

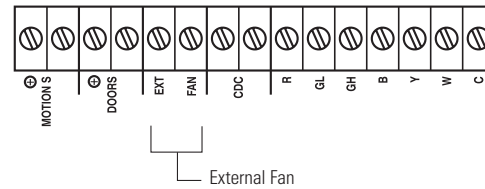
When connected, the door sensor will detect when the door in the room was opened or closed. This feature must be used in conjunction with the motion sensor.

The door and motion sensors work together to automatically turn the unit ON or OFF.



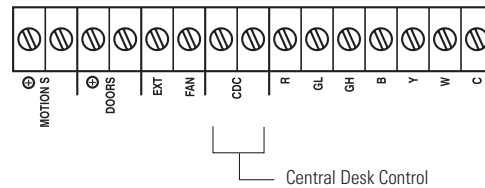
External Fan (Obtained locally)

When connected, an auxiliary or external fan can be controlled with the indoor fan motor on the Zoneline. Connections provide 24 V AC to energize a remote relay, turning on the external fan.



Central Desk Control

When connected, the unit can be turned ON or OFF with a switch located at the Central Control Panel. A separate wire pair must be run from each separate controlling switch to each individual Zoneline.



Remote Thermostat

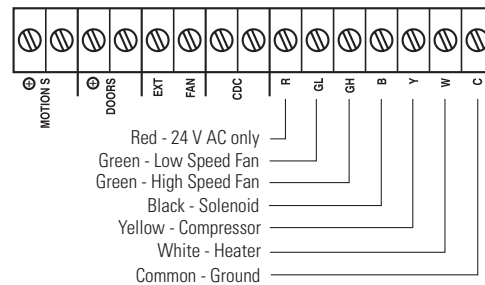
When connected, the unit will be controlled by a remote thermostat.

NOTE: The number 4 dip switch must be in the enabled (**UP**) position to activate the remote thermostat. (See the installation instructions supplied with the remote thermostat).

IMPORTANT:

The Zoneline thermostat connections provide 24 V AC only.

If using a digital/electronic wall thermostat, you must set it to the 24 V AC setting. See the Installation Instructions for the wall thermostat.



CAUTION:

Damage to a wall thermostat or to the Zoneline electronics can result from improper connections. Special care must be used in connecting blue and black wires. No line voltage connections should be made to any circuit. Isolate all wires in building from line voltage.

Care and cleaning.

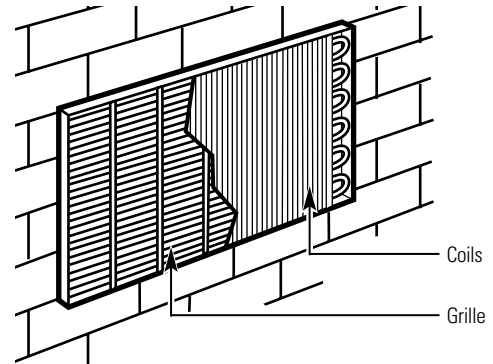
Room Cabinet and Case

Turn the Zoneline off and disconnect the power supply.

To clean, use water and a mild detergent. Do not use bleach or abrasives. Some commercial cleaners may damage the plastic parts.

Outdoor Coils

The coils on the outdoor side of the Zoneline should be checked regularly. If they are clogged with dirt or soot, they may be professionally steam cleaned, a service available through your GE service outlet. You will need to remove the unit to inspect the coils because the dirt build-up occurs on the inside.



Clean the outside coils regularly.

Base Pan

In some installations, dirt or other debris may be blown into the unit from the outside and settle in the base pan (the bottom of the unit).

In some areas of the United States a “jell-like” substance may be seen in the base pan.

Check it periodically and clean, if necessary.

Ventilation Filter

If the vent door is open, clean the vent filter twice a year or as required.

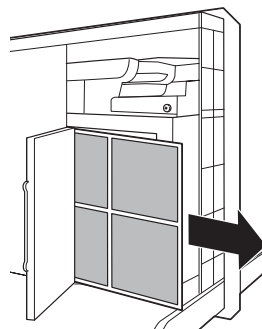
Turn the Zoneline off before cleaning.

To remove the vent filter:

- Remove the room cabinet. See the *To Remove the Room Cabinet* section.
- Remove the four screws securing the unit flanges to the case.
- Slide the unit from the wall case.
- Grasp the vent filter tab and pull the filter out by sliding it to the right.

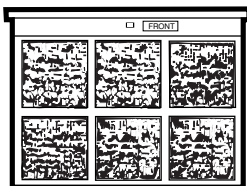
To clean the vent filter:

- Run water through the filter from the back side.
- Dry thoroughly before replacing.

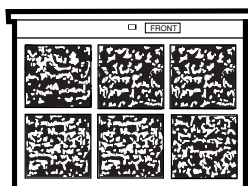


To maintain optimum performance, clean the filters at least every 30 days.

Air Filters



Dirty filter—Needs cleaning



Clogged filter—Greatly reduces cooling, heating and airflow.

Turn the Zoneline off before cleaning.

The most important thing you can do to maintain the Zoneline is to clean the filter at least every 30 days. Clogged filters reduce cooling, heating and air flow.

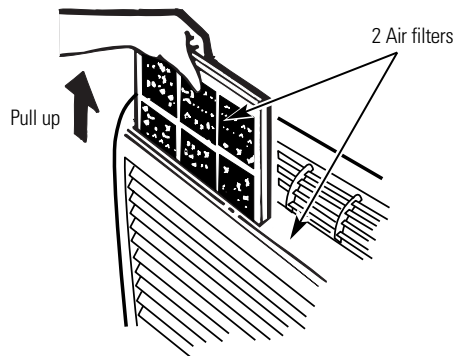
Keeping these filters clean will:

- Decrease cost of operation.
- Save energy.
- Prevent clogged heat exchanger coils.
- Reduce the risk of premature component failure.

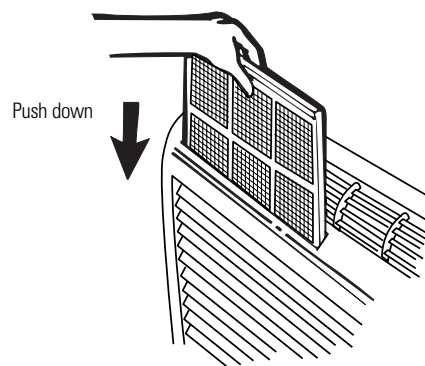
To clean the air filters:

- Vacuum off the heavy soil.
- Run water through the filters.
- Dry thoroughly before replacing.

To remove the air filters:



To replace the air filters:



⚠ CAUTION: Do not operate the Zoneline without the filters in place. If a filter becomes torn or damaged it should be replaced immediately.

Operating without the filters in place or with damaged filters will allow dirt and dust to reach the indoor coil and reduce the cooling, heating, airflow and efficiency of the unit.

Replacement filters are available from your salesperson, GE dealer, GE Service and Parts Center or authorized Customer Care® servicers.

Installation Instructions

Zoneline Air Conditioners

Questions? Call 800.GE.CARES (800.432.2737) or Visit our Website at: ge.com

BEFORE YOU BEGIN

Read these instructions completely and carefully.

- **IMPORTANT** — Save these instructions for local inspector's use.
- **IMPORTANT** — Observe all governing codes and ordinances.
- **Note to Installer** — Be sure to leave these instructions with the owner.
- **Note to Owner** — Keep these instructions for future reference.
- Proper installation is the responsibility of the installer.
- Product failure due to improper installation is not covered under the Warranty.

TOOLS YOU WILL NEED



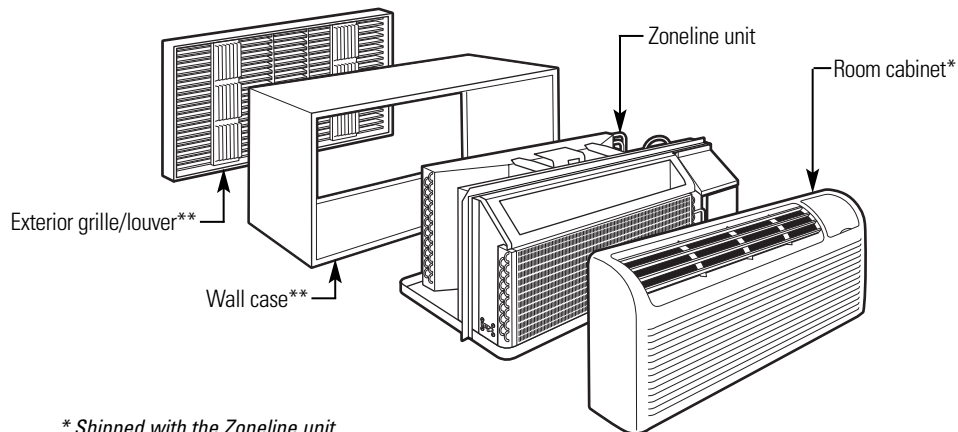
Phillips screwdriver

IMPORTANT ELECTRICAL SAFETY—READ CAREFULLY

⚠ CAUTION:

- Follow the National Electrical Code (NEC) or local codes and ordinances.
- For personal safety, this Zoneline must be properly grounded.
- Protective devices (fuses or circuit breakers) acceptable for Zoneline installations are specified on the nameplate of each unit.
- Do not use an extension cord with this unit.
- Aluminum building wiring may present special problems—consult a qualified electrician.
- When the unit is in the STOP position there is still voltage to the electrical controls.
- Disconnect the power to the unit before servicing by:
 - 1 Removing the power cord (if it has one) from the wall receptacle.OR
 - 2 Removing the branch circuit fuses or turning the circuit breakers off at the panel.

ZONELINE COMPONENTS

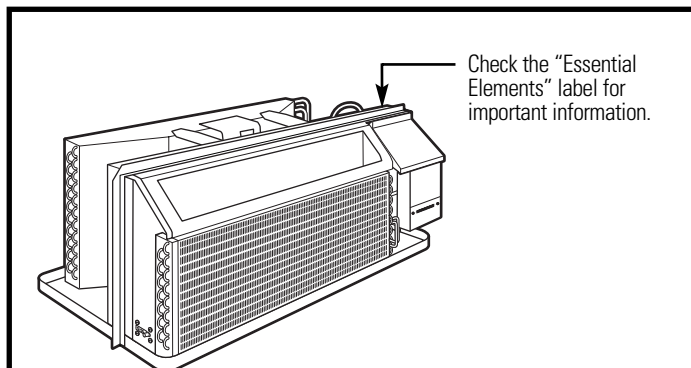


* Shipped with the Zoneline unit

** Check the "Essential Elements" list on the unit

Installation Instructions

REPLACING AN EXISTING UNIT?



Use the correct wall case

This unit is designed to be installed in a GE plastic or insulated metal wall case. This minimizes condensation from forming on the room side of the case.

If the current wall case is not insulated, you can reduce the possibility of condensation forming by installing insulation kit RAK901L, available where you purchased the unit.

Use the correct outdoor grille

You should use the outdoor grilles shown on the "Essential Elements" label on the top of the unit.

- If an existing grille is not replaced, capacity and efficiency will be reduced and the unit may fail to operate properly or fail prematurely. A deflector kit, RAK40, may be used with grilles that were not designed for your new GE Zonelines. The RAK40 contains air deflectors and gaskets that mount to the unit to direct the hot exhaust air away from the air intake to allow the unit to function properly. The grille must have a 65% minimum free area.
- Any vertical deflectors in the existing rear grille should be removed to decrease condenser air recirculation which can cause the unit to "short-cycle" and lead to premature component failure.

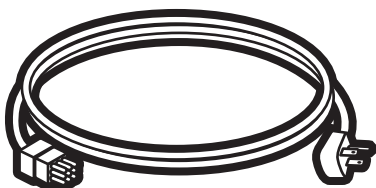
Installation Instructions

230/208 VOLT ELECTRICAL SUPPLY

HOW TO CONNECT

- 1 Remove the room cabinet.
- 2 Connect to electrical power.
- 3 See the special instructions below for applicable supply voltages.
- 4 Reinstall the room cabinet.

A power supply kit must be used to supply power to the Zoneline unit. The appropriate kit is determined by the voltage, the means of electrical connection and the amperage of the branch circuit.



Power supply kit

Connections of 208 or 230 volt circuits may be with a power supply kit or a junction box kit.

All wiring, including installation of the receptacle, must be in accordance with the NEC and local codes, ordinances and regulations. Local codes may require the use of an arc fault or leakage current detection device on the power cord. Be sure to select the correct cord for your installation.



Tandem
15 Amp.



Perpendicular
20 Amp.



Large Tandem
30 Amp.

230/208 volt receptacle configuration.

Branch Circuit and Unit Amperage Rating	Proper GE Power Cord with LCDI Device
15	RAK3153
20	RAK3203
30	RAK3303*

*Not approved for use on 7000 BTU models.

Power cords may include an arc fault interruption or a leakage current detection interruption device. A test and reset button is provided on the plug case or the inline case. The device should be tested on a periodic basis by first pressing the TEST button and then the RESET button. If the TEST button does not trip or if the RESET button will not stay engaged, discontinue use of the Zoneline and contact a qualified service technician.

Order Kit RAK4002B for 230/208 volt direct connection.

IF USING AN ELECTRICAL SUBBASE

230/208 volt models may be installed using one of the following electrical subbases:

Branch Circuit and Unit Amperage Rating	Proper GE Subbase Kit
15	RAK204D15P
20	RAK204D20P
30	RAK204D30P*

*Not approved for use on 7000 BTU models.

Electrical subbases provide an enclosure for direct connection or enclosed receptacles. The subbase kit includes the power cord.

The instructions provided with the selected subbase kit must be carefully followed. It is the responsibility of the installer to ensure the connection of components is done in accordance with these instructions and all electrical codes.

Installation Instructions

265 VOLT ELECTRICAL SUPPLY

⚠ WARNING:

Connection of this 265 V AC product to a branch circuit **MUST** be done by direct connection in accordance with the National Electric Code. Plugging this unit into a building mounted exposed receptacle is not permitted by code.

These models must be installed using the appropriate GE power supply kit for the branch circuit amperage and the electrical resistance heater wattage desired. See the POWER CONNECTION CHART in these Installation Instructions. One of the following installation methods must be used:

A Electrical subbase kits are available to provide a flexible enclosure for direct connection.

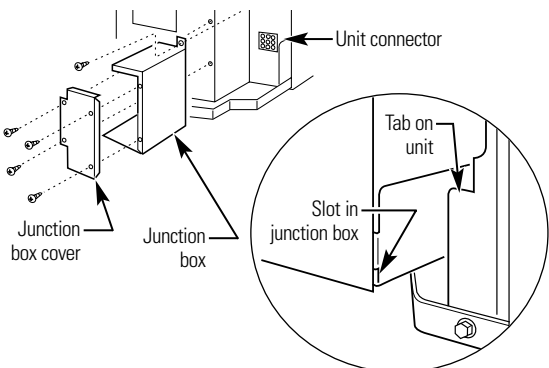
Branch Circuit and Unit Amperage Rating	Proper GE Subbase Kit	Power Supply Kit
15	RAK204E15	RAK5172
20	RAK204E20	RAK5202
30	RAK204E30	RAK5302

The instructions provided with the selected subbase kit must be carefully followed. It is the responsibility of the installer to ensure the connection of components is done in accordance with these instructions and all electrical codes.

B For direct connection to branch circuit wiring inside the provided junction box without using a subbase kit, cut the cord, strip the wire ends and connect as follows.

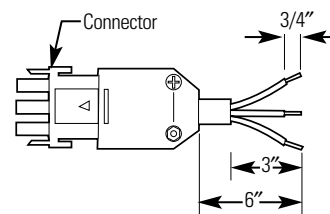
1 REMOVE JUNCTION BOX

- 1 Remove the junction box cover by taking out the front four screws.
- 2 Remove the junction box by taking out the top rear screw. Note how the tab on the lower right corner of the junction box serves to hold the side in place. This will help when the box is being reinstalled. The cord will be coiled up inside the junction box.



2 CUT AND STRIP THE CORDSET

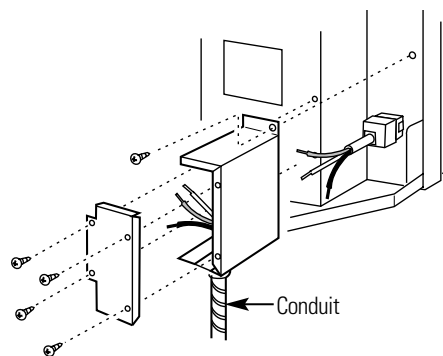
- 1 Remove the cordset from the power supply kit. Measure 6" down the cord from where it emerges from the back of the nylon plastic connector and cut the cord through at this point.
- 2 Carefully remove 3" of the cordset insulation so as to expose the three insulated wires.
- 3 Strip 3/4" of the insulation away at the end of each of the three wires (L1, Neutral and Ground). Plug the connector fully into place in the unit mating connector. Be sure the locking tabs at the sides are engaged.



NOTE: Order Kit RAK4002CW to enable a quick disconnect inside the junction box.

3 ATTACH CONDUIT

- 1 Use the round knockout at the bottom of the junction box to attach conduit coming from the branch circuit. Remove the knockout, attach the conduit and bring wires into the junction box. Leave 6" of wire free at the end of the conduit to allow connections to be made.



- 2 If a fuse and fuseholder are to be used, the knockout at the top of the box is for mounting a Buss Fuseholder. Be sure the fuse and fuseholder are of the same rating as the branch circuit. Leadwires at the fuse can be either soldered in place or attached using UL-listed 1/4" female (receptacle) crimp connectors.

Installation Instructions

265 VOLT ELECTRICAL SUPPLY

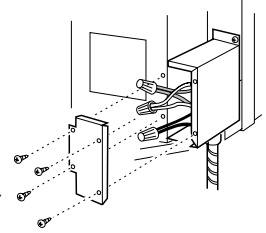
4 REINSTALL JUNCTION BOX

- Reinstall the junction box by engaging the tab at the lower rear, aligning the screw hole at the top and driving the one screw until secure. Be sure that all wire leads are inside the box and not pinched between the box and the unit. The green insulated ground wire from the unit **MUST** be connected to the branch circuit ground wire.

Make all wire connections by using appropriate UL-listed electrical connectors and techniques (black to black, white to white and green to green).

5 REINSTALL JUNCTION BOX COVER

- Carefully tuck all wires and connections back inside the junction box. Be sure there are no loose connections or stray uninsulated wires exposed.



- Place the junction box cover in place. Replace the two screws removed earlier and tighten securely.
- Discard the unused portion of the plug and the cordset.

POWER CONNECTION CHART

230/208 Volt Power Supply Kits

Wall Plug Configuration

Circuit Protective Device

Heater Wattage @ 230/208 Volts

RAK3153	Tandem	15 Amp Time Delay Fuse or Breaker	2.55/2.09 KW
RAK3203	Perpendicular	20 Amp Time Delay Fuse or Breaker	3.45/2.82 KW
RAK3303*	Large Tandem	30 Amp Time Delay Fuse or Breaker	5.00/4.10 KW

265 Volt Power Supply Kits

Wall Plug Configuration

Circuit Protective Device

Heater Wattage @ 265 Volts

RAK5172	Does Not Apply	15 Amp Time Delay Fuse or Breaker	2.55 KW
RAK5202	Does Not Apply	20 Amp Time Delay Fuse or Breaker	3.45 KW
RAK5302*	Does Not Apply	30 Amp Time Delay Fuse or Breaker	5.0 KW

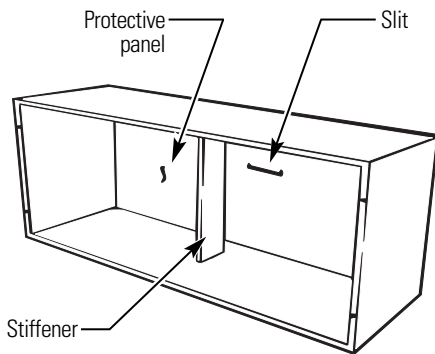
* Not recommended for use on 7000 BTUH units.

Installation Instructions

INSTALLING THE ZONELINE

1 INSTALL THE WALL CASE AND EXTERIOR GRILLE

- 1 The RAB71 series or RAB77 wall case must be properly installed per instructions packed with the case.
- 2 Remove the corrugated stiffener and the outdoor protective panel. Use the slit in the outdoor panel as a handhold and push out.



- 3 Install the exterior grille from the room side following instructions packed with the grill.

Insulated Wall Case

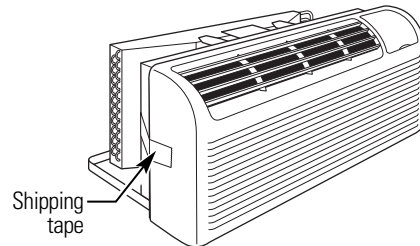
This unit is designed to be installed in a GE plastic or an insulated steel wall case. This minimizes condensation from forming on the room side of the case.

The RAB71 series wall cases are insulated. Insulation kit RAK901L is available for use with RAB77 or existing uninsulated wall cases when needed.

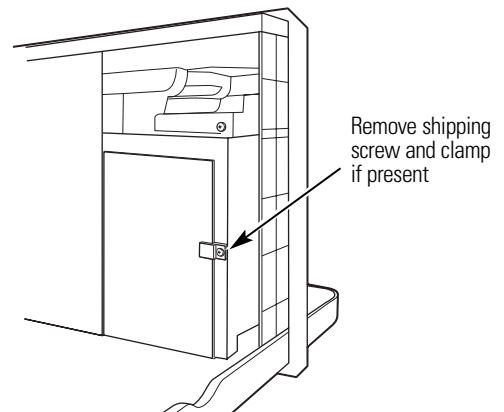
NOTE: For installation with a subbase, see the instructions packed with that kit.

2 PREPARE THE ROOM CABINET

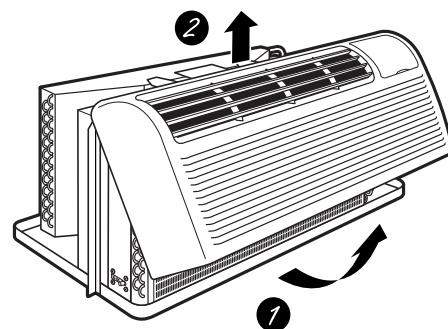
- 1 Carefully remove shipping tape, if there is any, from the room cabinet and vent door.



- 2 Remove the shipping screw/clamp from the vent door, if present.



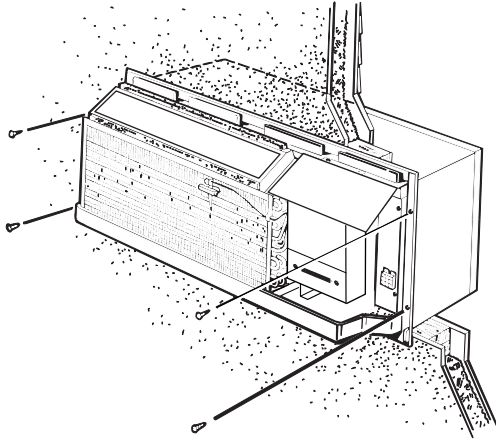
- 3 Remove the room cabinet by pulling it out at the bottom to release it (1), then lift it up to clear the rail along the unit top (2).



Installation Instructions

3 INSTALL THE UNIT INTO THE WALL CASE

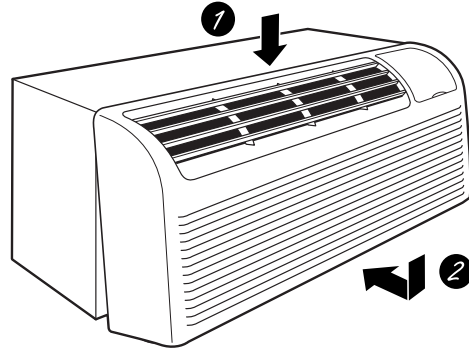
Slide the unit into the wall case and secure with four screws through the unit flange holes.



NOTE: There are several extra holes in the unit side flanges for installation in wall cases other than GE. To avoid damaging the flange insulation, the installer should use an awl or other sharp tool to puncture the insulation in the appropriate holes before installing the attachment screws.

4 REPLACE THE ROOM CABINET

Reinstall the room cabinet by hooking the top over the rail along the unit top (1), then pushing it in at the bottom (2).



Before You Call For Service...

ge.com

Troubleshooting Tips

Problem	Possible Causes	What To Do
Zonline does not start	The unit is unplugged.	<ul style="list-style-type: none"> Make sure the Zonline plug is pushed completely into the outlet.
	The fuse is blown/circuit breaker is tripped.	<ul style="list-style-type: none"> Check the house fuse/circuit breaker box and replace the fuse or reset the breaker.
	The unit is waiting for the compressor overload protector to reset.	<ul style="list-style-type: none"> This is normal. The Zonline will start again after it resets.
	Power failure.	<ul style="list-style-type: none"> There is an automatic delay start feature that may not allow the unit to start, after power is restored and the unit is turned back on, for approximately 30 seconds. There is a protective time delay (up to 3 minutes) to prevent tripping of the compressor overload. For this reason, the unit may not start normal heating or cooling for 3 minutes after it is turned back on.
Zonline does not cool or heat as it should	The current interrupter device is tripped.	<ul style="list-style-type: none"> Press the RESET button located on the power cord plug or the box near the plug. If the RESET button will not stay engaged, discontinue use of the Zonline and contact a qualified service technician.
	Indoor airflow is restricted.	<ul style="list-style-type: none"> Make sure there are no curtains, blinds or furniture blocking the front of the Zonline.
	Outdoor airflow is restricted or recirculated.	<ul style="list-style-type: none"> Make sure the rear grille is not restricted. This can cause the unit to cycle off due to the compressor overload. Outdoor grille must have a minimum of 65% free area. Non-GE grilles may be too restrictive for proper performance. Consult your salesperson for assistance.
	The temp control may not be set high enough.	<ul style="list-style-type: none"> Turn the control to a lower or higher setting. NOTE: The temperature limiter may be limiting the temperature range.
	The air filter is dirty.	<ul style="list-style-type: none"> Clean the filter at least every 30 days. See the <i>Operating Instructions</i> section.
	The room may have been hot or cold.	<ul style="list-style-type: none"> When the Zonline is first turned on you need to allow time for the room to cool down or warm up.
Burning odor at the start of heating operation	Outdoor air is entering the room.	<ul style="list-style-type: none"> Set the vent control to the CLOSE position.
	Dust is on the surface of the heating element.	<ul style="list-style-type: none"> This can cause a "burning" odor at the beginning of the heating operation. This odor should quickly fade.
The air is not always cool or hot during operation	The heat pump is not producing hot air.	<ul style="list-style-type: none"> This is normal. The heat pump will produce warm air but not as hot as air produced when the higher-cost electric heat is used.
	The fan switch may be set at continuous fan	<ul style="list-style-type: none"> This causes the fan to blow room temperature air even when the compressor or heater cycles off. The continuous air movement provides better overall temperature control.

Safety Instructions

Operating Instructions

Care and Cleaning

Troubleshooting Tips

Consumer Support

Before You Call For Service...

Troubleshooting Tips

Problem	Possible Causes	What To Do
The air does not feel warm enough during heating operation	The heat pump alone produces air that feels cooler than desired.	<ul style="list-style-type: none"> Use the Electric Heat Option. This turns off the heat pump and warms with electric heat only. NOTE: Use of this option will result in increased energy consumption.
Temperature display flashes	The compressor may have failed.	<ul style="list-style-type: none"> Set the mode control to STOP and then restart the unit. If the flashing light reappears within 30 minutes, call for service.

Things that are normal.

Normal Operating Sounds

PING! POP!


You may hear a pinging noise caused by water being picked up and thrown against the condenser on rainy days or when the humidity is high. This design feature helps remove moisture and improve efficiency.

"CLICK"

You may hear relays click when the controls cycle on and off or are adjusted to change the room temperature.

DRIP


Water will collect in the base pan during high humidity or on rainy days. The water may overflow and drip from the outdoor side of the unit.

WHIR!


The indoor fan runs continuously when the unit is operating in the cooling mode, unless the fan switch behind the room cabinet is set at fan cycle (up). This will cause the fan to cycle on and off with the compressor. You may also hear a fan noise stop and start.

3-Minute Delay



You may notice a few minutes delay in starting if you try to restart the Zoneline too soon after turning it off or if you adjust the thermostat right after the compressor has shut off. This is due to a built-in restart protector for the compressor that causes a 3-minute delay.

SILENCE

During the defrost cycle, both indoor and outdoor fans stop and the compressor will operate in the cooling mode to remove frost from the outdoor coil. After defrost, the unit will restart in electric heat to quickly warm the room to the desired comfort level.

COMPRESSOR PROTECTION

To protect the compressor and prevent short cycling, the unit is designed to run for a minimum of 3 minutes, after the compressor starts at any thermostat setting.



Cut here

Please place in envelope and mail to:

General Electric Company
Warranty Registration Department
P.O. Box 32150
Louisville, KY 40232-2150

Consumer Product Ownership Registration

Dear Customer:

Thank you for purchasing our product and thank you for placing your confidence in us. We are proud to have you as a customer!

Follow these three steps to protect your new appliance investment:

1

Complete and mail your **Consumer Product Ownership Registration** today. Have the peace of mind of knowing we can contact you in the unlikely event of a safety modification.

2

After mailing the registration below, store this document in a safe place. It contains information you will need should you require service. Our service number is 800.GE.CARES (800.432.2737).

3

Read your Owner's Manual carefully. It will help you operate your new appliance properly.

Model Number

Serial Number

Important: If you did not get a registration card with your product, detach and return the form below to ensure that your product is registered, or register online at ge.com.



Consumer Product Ownership Registration



Model Number

Serial Number

Mr. Ms. Mrs. Miss

First Name

Last Name

Street Address

Apt. #

E-mail Address*

City

State

Zip Code

Date Placed In Use
Month

Day

Year

Phone Number - -



GE Consumer & Industrial Appliances
General Electric Company
Louisville, KY 40225
ge.com

* Please provide your e-mail address to receive, via e-mail, discounts, special offers and other important communications from GE Appliances (GEA).

Check here if you do not want to receive communications from GEA's carefully selected partners.

FAILURE TO COMPLETE AND RETURN THIS CARD DOES NOT DIMINISH YOUR WARRANTY RIGHTS.

For information about GEA's privacy and data usage policy, go to ge.com and click on "Privacy Policy" or call 800.626.2224.

Zoneline Warranty.



All warranty service provided by our Factory Service Centers, or an authorized Customer Care[®] technician. To schedule service, on-line, 24 hours a day, visit us at ge.com, or call 800.GE.CARES (800.432.2737). For service in Canada, call 1.800.361.3400. Please have serial number and model number available when calling for service.

Staple your receipt here. Proof of the original purchase date is needed to obtain service under the warranty.

For The Period Of:	GE Will Replace:
One Year From the date of the original purchase	Any part of the Zoneline which fails due to a defect in materials or workmanship. During this limited one-year warranty , GE will also provide, free of charge , all labor and related service to replace the defective part.
Five Years From the date of the original purchase	Any part of the sealed refrigerating system (the compressor, condenser, evaporator and all connecting tubing) which fails due to a defect in materials or workmanship. During this four-year limited additional warranty , GE will also provide, free of charge , all labor and related service to replace the defective part.
Five Years From the date of the original purchase	For the second through the fifth year from the date of original purchase, GE will replace certain parts that fail due to a defect in materials or workmanship. Parts covered are fan motors, switches, thermostats, heater, heater protectors, compressor overload, solenoids, circuit boards, auxiliary controls, thermistors, frost controls, ICR pump, capacitors, varistors and indoor blower bearing. During this four-year limited additional warranty , you will be responsible for any labor or on-site service costs.

What GE Will Not Cover:

- Service trips to your site to teach you how to use the product.
- Improper installation, delivery or maintenance.
If you have an installation problem, or if the air conditioner is of improper cooling capacity for the intended use, contact your dealer or installer. You are responsible for providing adequate electrical connecting facilities.
- In commercial locations, labor necessary to move the unit to a location where it is accessible for service by an individual technician.
- Failure or damage resulting from corrosion due to installation in an environment containing corrosive chemicals.
- Replacement of fuses or resetting of circuit breakers.
- Failure of the product resulting from modifications to the product or due to unreasonable use, including failure to provide reasonable and necessary maintenance.
- Failure or damage resulting from corrosion due to installation in a coastal environment, except for models treated with special factory-applied anti-corrosion protection as designated in the model number.
- Damage to product caused by improper power supply voltage, accident, fire, floods or acts of God.
- Incidental or consequential damage to personal property caused by possible defects with this air conditioner.
- Damage caused after delivery.
- Product not accessible to provide required service.

EXCLUSION OF IMPLIED WARRANTIES—Your sole and exclusive remedy is product repair as provided in this Limited Warranty. Any implied warranties, including the implied warranties of merchantability or fitness for a particular purpose, are limited to one year or the shortest period allowed by law.

This warranty is extended to the original purchaser and any succeeding owner for products purchased for use within the USA and Canada. If the product is located in an area where service by a GE Authorized Servicer is not available, you may be responsible for a trip charge or you may be required to bring the product to an Authorized GE Service location for service. In Alaska, the warranty excludes the cost of shipping or service calls to your site.

Some states or provinces do not allow the exclusion or limitation of incidental or consequential damages. This warranty gives you specific legal rights, and you may also have other rights which vary from state to state or province to province. To know what your legal rights are, consult your local, state or provincial consumer affairs office or your state's Attorney General.

Safety Instructions

Operating Instructions

Care and Cleaning

Troubleshooting Tips

Consumer Support

Consumer Support.



GE Appliances Website

ge.com

Have a question or need assistance with your appliance? Try the GE Appliances Website 24 hours a day, any day of the year! For greater convenience and faster service, you can now download Owner's Manuals, order parts, catalogs, or even schedule service on-line. You can also "Ask Our Team of Experts™" your questions, and so much more...



Schedule Service

ge.com

Expert GE repair service is only one step away from your door. Get on-line and schedule your service at your convenience 24 hours any day of the year! Or call 800.GE.CARES (800.432.2737) during normal business hours.



Real Life Design Studio

ge.com

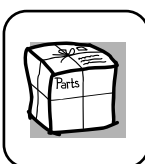
GE supports the Universal Design concept—products, services and environments that can be used by people of all ages, sizes and capabilities. We recognize the need to design for a wide range of physical and mental abilities and impairments. For details of GE's Universal Design applications, including kitchen design ideas for people with disabilities, check out our Website today. For the hearing impaired, please call 800.TDD.GEAC (800.833.4322).



Extended Warranties

ge.com

Purchase a GE extended warranty and learn about special discounts that are available while your warranty is still in effect. You can purchase it on-line anytime, or call 800.626.2224 during normal business hours. GE Consumer Home Services will still be there after your warranty expires.



Parts and Accessories

ge.com

Individuals qualified to service their own appliances can have parts or accessories sent directly to their homes (VISA, MasterCard and Discover cards are accepted). Order on-line today, 24 hours every day or by phone at 800.626.2002 during normal business hours.

Instructions contained in this manual cover procedures to be performed by any user. Other servicing generally should be referred to qualified service personnel. Caution must be exercised, since improper servicing may cause unsafe operation.



Contact Us

ge.com

If you are not satisfied with the service you receive from GE, contact us on our Website with all the details including your phone number, or write to:
General Manager, Customer Relations
GE Appliances, Appliance Park
Louisville, KY 40225



Register Your Appliance

ge.com

Register your new appliance on-line—at your convenience! Timely product registration will allow for enhanced communication and prompt service under the terms of your warranty, should the need arise. You may also mail in the pre-printed registration card included in the packing material.



Zoneline® Conditionneur d'air

Mesures de sécurité2

Fonctionnement

Commandes3
Commandes auxiliaires5-9
Commande de ventilation4
Direction de l'air4

Entretien et nettoyage

Carrosserie et boîtier côté chambre ...10
Filtre de ventilation10
Filtres à air11
Plateau10
Serpentin extérieur10

Instructions d'installation

Approvisionnement électrique ...14-16
Installation de votre Zoneline17, 18
Préparation12
Remise en place
d'un appareil existant?13

Conseils de dépannage19, 20
Bruits normaux de fonctionnement ...21

Soutien au consommateur

Garantie23
Soutien au
consommateurCouverture arrière

**Manuel d'utilisation et
instructions d'installation**

Modèle de pompe
à chaleur 5800

**Transcrivez les numéros de
modèle et de série ici :**

de modèle _____

de série _____

Trouvez ces numéros sur une
étiquette placée derrière la
carrosserie côté chambre, sur le
plateau.



MESURES DE SÉCURITÉ IMPORTANTES. LISEZ D'ABORD TOUTES LES DIRECTIVES.

⚠ AVERTISSEMENT!

Pour votre sécurité, suivez les directives fournies dans le présent manuel afin de minimiser les risques d'incendie, d'explosion et de chocs électriques et prévenir des dégâts matériels et des blessures graves ou mortelles.



MESURES DE SÉCURITÉ

- Vous devez bien installer votre Zoneline, conformément aux Instructions d'installation, avant de l'utiliser. Consultez les Instructions d'installation à l'arrière de ce manuel.
- Remplacez immédiatement tout cordon d'alimentation abîmé ou endommagé. Un cordon d'alimentation électrique endommagé ne doit pas être réparé mais plutôt remplacé par un autre cordon d'alimentation obtenu du fabricant. N'utilisez pas un cordon d'alimentation qui montre des fissures ou des signes d'abrasion sur sa longueur ou encore près de la prise ou du connecteur.
- Débranchez ou enlevez la fiche de votre Zoneline au niveau du coffret à fusibles ou du disjoncteur avant de le réparer.

NOTE : Nous vous recommandons vivement de confier toute réparation à un technicien qualifié.

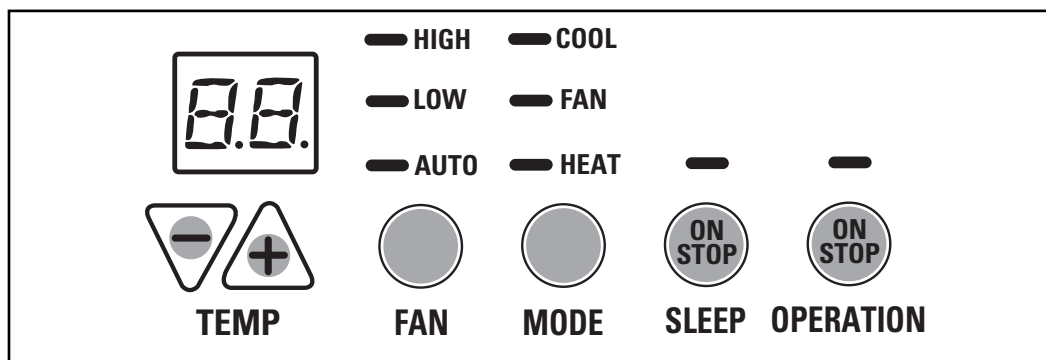
Remise en place d'un appareil existant?

Pour de plus amples détails, consultez les Instructions d'installation dans ce manuel.



VEUILLEZ LIRE ET SUIVRE ATTENTIVEMENT
CES MESURES DE SÉCURITÉ.

CONSERVEZ CES DIRECTIVES



COMMANDE DE TEMPÉRATURE

1

FONCTIONNEMENT DU VENTILATEUR, MODE ET VEILLE

2



Commandes

1 Commande de température

La commande de température est utilisée pour régler la température de la pièce. Le compresseur se mettra en marche de façon sporadique de manière à maintenir le niveau de confort de la pièce.

Appuyez sur le bouton + pour élever la température.

Appuyez sur le bouton – pour abaisser la température.

Lorsque la température extérieure est inférieure à 25 °F, la chaleur produite provient de l'élément chauffant électrique du conditionneur plutôt que de la pompe à chaleur.

2 Veille

Appuyez pour effectuer un réglage temporaire d'une durée de 8 heures avant que l'appareil ne revienne à son réglage initial.

Lorsque l'appareil est en mode climatisation et que le chronomètre de veille est sélectionné, la température réglée s'élèvera automatiquement de 2 °F après la deuxième heure et de 1 °F à chacune des deux heures suivantes. En plus, le ventilateur se réglera

à basse vitesse. Lorsqu'il est en mode chauffage, la température réglée s'abaissera de la façon décrite précédemment.

Pour annuler le mode de veille, appuyez sur le bouton **MODE** ou appuyez de nouveau sur le bouton **SLEEP** (veille).

2 Ventilateur, mode et commande de fonctionnement

VENTILATEUR—règle le fonctionnement du ventilateur selon les vitesses **HIGH** (élevée), **LOW** (basse) ou **AUTO**. Lorsque réglé à **AUTO**, la vitesse change de élevée à basse selon les changements de température de la pièce.

MODE—COOL—Pour climatisation

FAN—Pour le fonctionnement du ventilateur seulement

HEAT—Pour le chauffage

FONCTIONNEMENT—ON/STOP—Met en marche ou éteint l'appareil. Le Zoneline demeure sous tension. L'option de garde de gel est toujours en fonction si le commutateur 6 est activé (vers le haut). Consultez la section *Garde de gel*.

NOTE : L'afficheur de température clignotera pour indiquer une défaillance possible. Consultez la section **Avant d'appeler un réparateur**.

Votre pompe à chaleur

Les pompes à chaleur peuvent vous faire économiser de l'argent en tirant la chaleur de l'air extérieur—même quand la température extérieure est inférieure au gel—et en libérant cette chaleur à l'intérieur.

Pour obtenir un bon rendement de votre pompe à chaleur, ne changez pas souvent le réglage du thermostat de la chambre. Si vous augmentez de 2 ou 3 degrés la température désirée, votre Zoneline utilisera ses éléments de chauffage électrique pour atteindre rapidement la nouvelle température que vous avez choisie.

Le compresseur doit fonctionner au moins trois minutes à n'importe quel réglage pour éviter un fonctionnement avec arrêts et remises en marche répétés.

Le moteur du ventilateur intérieur commence avant la mise en marche du compresseur et s'arrête après l'arrêt du compresseur, à la fin du cycle.

Les éléments de chauffage électrique utilisent beaucoup plus d'électricité que les pompes à chaleur et coûtent davantage à l'usage.

Autres caractéristiques de votre Zoneline.

Commande de ventilation

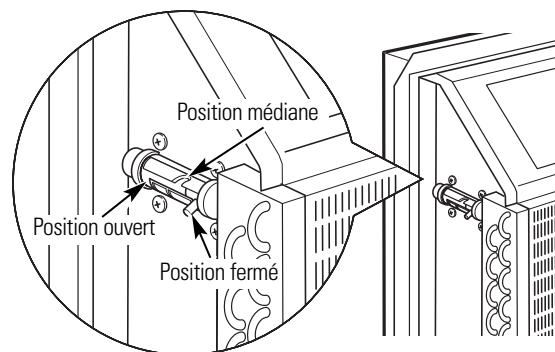
Le levier de commande de ventilation est situé en haut et à gauche de votre Zoneline, derrière la carrosserie côté chambre.

NOTE : Vous devez enlever de la porte de ventilation deux vis d'expédition avant d'utiliser votre appareil. Consultez les Instructions d'installation à l'arrière du présent manuel.

Quand il est réglé en position fermé, seulement l'air à l'intérieur de la chambre circule et est filtré.

Quand il est réglé en position ouvert ou position médiane, un peu d'air de l'extérieur entre dans la chambre. Cela réduit l'efficacité de chauffage ou de rafraîchissement de votre appareil.

Pour économiser l'énergie, placez la commande de ventilation en position fermé. L'air de la chambre sera filtré et circulera.

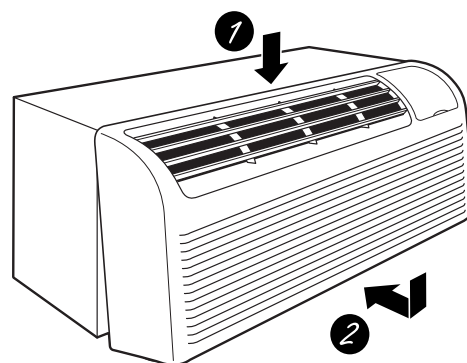
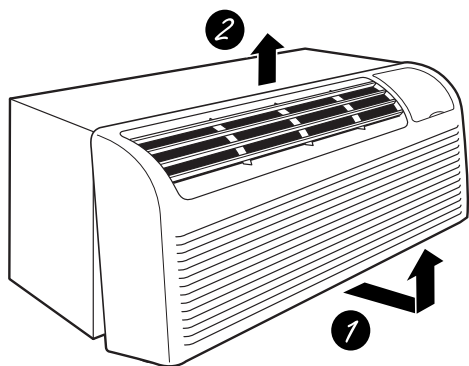


Enlèvement de la carrosserie côté chambre

Des commandes additionnelles se trouvent derrière la carrosserie côté chambre.

Enlèvement : Tirez le bas pour le libérer des taquets (1). Ensuite, soulevez (2).

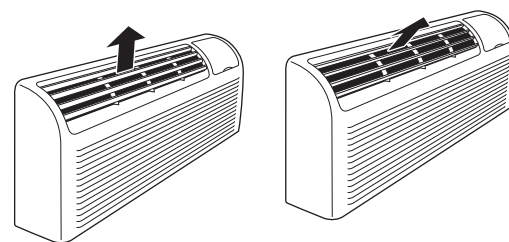
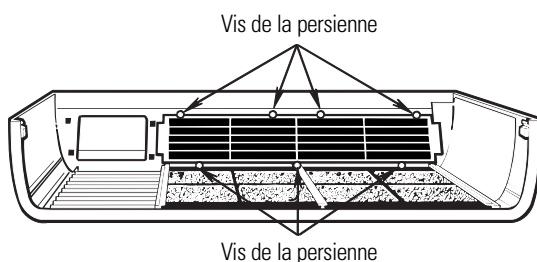
Remise en place : Placez les taquets sur le rail du haut (1). Poussez le bas vers l'intérieur jusqu'à ce qu'il se fixe en place (2).



Direction de l'air

Pour ajuster la direction de l'air, enlevez la carrosserie côté chambre. Enlevez les 7 vis de la persienne, qui tiennent l'insertion de persienne en place. Faites basculer de 180 degrés l'insertion de persienne, remettez en place les vis et la carrosserie côté chambre.

Enlevez la carrosserie côté chambre et faites basculer l'insertion de persienne pour changer la direction de l'air.

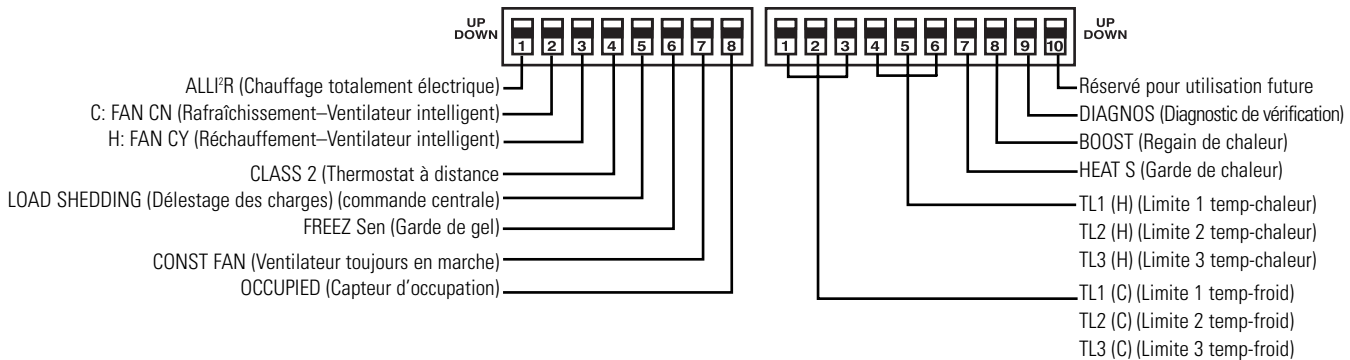
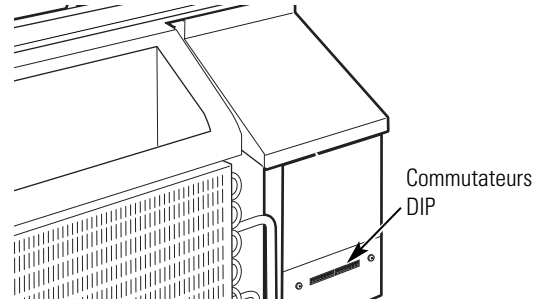


Commandes auxiliaires—Commutateurs DIP

Les commandes auxiliaires par commutateurs DIP sont situés derrière la carrosserie côté chambre et sont accessibles par une ouverture dans le panneau de commande.

Enlevez la carrosserie côté chambre. Consultez la section *Enlèvement de la carrosserie côté chambre*.

Le propriétaire est responsable de vérifier les commutateurs et de s'assurer qu'ils sont en bonne position.



Chauffage totalement électrique

Quand ce commutateur est branché (**UP**) (en haut), la pompe à chaleur ne fonctionne pas, et par conséquent votre appareil fournit de la chaleur uniquement par résistance électrique.



Rafraîchissement—Ventilateur intelligent

Quand ce commutateur est branché (**UP**) (en haut), le ventilateur intérieur se met en marche et s'arrête avec le compresseur. Quand ce commutateur est débranché (**DOWN**) (en bas), le ventilateur intérieur fonctionne continuellement.



Réchauffement—Ventilateur intelligent

Quand ce commutateur est branché (**UP**) (en haut), le ventilateur intérieur fonctionne continuellement. Quand ce commutateur est débranché (**DOWN**) (en bas), le ventilateur intérieur se met en marche et s'arrête avec la pompe à chaleur ou le chauffage.



Commandes auxiliaires sur votre Zoneline.

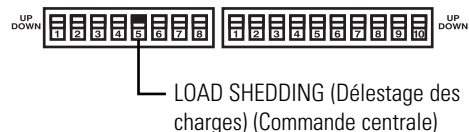
Thermostat à distance—Classe 2

Quand ce commutateur est branché (**UP**) (en haut), l'appareil est contrôlé par un thermostat mural avec commande à distance de classe 2. Les commandes de l'appareil sont hors service.



Délestage des charges (Commande centrale)

Cette caractéristique n'est active que lorsque l'appareil se trouve en mode commande centrale. Quand ce commutateur est branché (**UP**) (en haut), vous pouvez mettre en marche ou arrêter le ventilateur intérieur en utilisant les commandes de l'appareil.



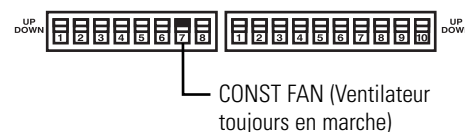
Garde de gel

Quand ce commutateur est branché (**UP**) (en haut), il met hors service la protection contre le gel. Quand ce commutateur est débranché (**DOWN**) (en bas), la garde de gel est activée, et fournit automatiquement de la chaleur sans intervention de l'utilisateur. Cela aide à prévenir des dommages à la plomberie, en mettant automatiquement le chauffage et le ventilateur intérieurs en marche à 41° F et en l'arrêtant à 46° F.



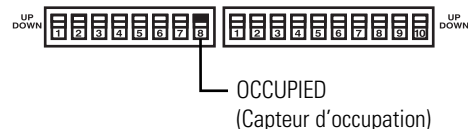
Ventilateur toujours en marche

Quand ce commutateur est branché (**UP**) (en haut), il permet au ventilateur intérieur de fonctionner continuellement, à haute vitesse, même si l'appareil est en position STOP (arrêt).



Capteur d'occupation

Quand ce commutateur est branché (**UP**) (en haut), il permet à l'appareil d'utiliser un capteur d'infrarouge de mouvement et un contacteur de porte pour détecter une occupation dans la chambre. Cette caractéristique permet d'installer un système de gestion de l'énergie et de le faire fonctionner avec l'appareil.



Limitation de température

La limitation de température peut réduire les coûts d'énergie en limitant la température la plus basse que l'on peut régler pour rafraîchir et la température la plus élevée que l'on peut régler pour réchauffer. La limitation de température est contrôlée par la deuxième série de six

commutateurs auxiliaires. Les trois premiers commutateurs sont utilisés pour choisir les limites de rafraîchissement, et les trois autres pour contrôler les limites de réchauffement. Cette caractéristique technique n'est pas disponible avec le thermostat à distance—Classe 2.



TL1 (C) (Limite 1 temp-froid)
TL2 (C) (Limite 2 temp-froid)
TL3 (C) (Limite 3 temp-froid)



TL1 (H) (Limite 1 temp-chaleur)
TL2 (H) (Limite 2 temp-chaleur)
TL3 (H) (Limite 3 temp-chaleur)

Limitation de température en mode COOL (toutes les températures sont indiquées en °F)			
EN HAUT	EN BAS	Minimum	Maximum
AUCUNE	1, 2, 3	60°	85°
1	2, 3	64°	85°
1, 2	3	66°	85°
2	1, 3	68°	85°
2, 3	1	70°	85°
1, 2, 3	AUCUNE	72°	85°
1, 3	2	74°	85°
3	1, 2	76°	85°

Limitation de température en mode HEAT (toutes les températures sont indiquées en °F)			
EN HAUT	EN BAS	Minimum	Maximum
AUCUNE	4, 5, 6	60°	85°
4	5, 6	60°	80°
4, 5	6	60°	78°
5	4, 6	60°	76°
5, 6	4	60°	74°
4, 5, 6	AUCUNE	60°	72°
4, 6	5	60°	70°
6	4, 5	60°	65°

Garde de chaleur

Quand ce commutateur est branché (**UP**) (en haut), il met en marche la garde de chaleur. Avec le commutateur débranché (**DOWN**) (en bas), la garde de chaleur est hors service. Cette caractéristique permet à l'appareil de rafraîchir automatiquement sans intervention de l'utilisateur. Elle aide à empêcher de trop réchauffer la chambre en mettant le conditionneur d'air en marche à 85° F et en l'arrêtant à 80° F.



Heat Sentinel (Garde de chaleur)

Regain de chaleur

Quand ce commutateur est branché (**UP**) (en haut) et la température extérieure est entre 20° F et 46° F, la pompe à chaleur s'arrête de fonctionner seule. Cette commande est utilisée pour fournir de la chaleur supplémentaire à la pompe à chaleur quand la pompe à chaleur n'arrive pas, seule, à maintenir une température ambiante confortable, constante.



BOOST (Regain de chaleur)

Diagnostic de vérification—À l'usage du technicien seulement

Lorsque ce commutateur est activé (**UP**) (en haut), l'appareil procédera à une vérification de fonctionnement des composants, d'une durée d'environ 3 minutes (176 secondes). Cet outil diagnostique est conçu pour être utilisé par un technicien qualifié.



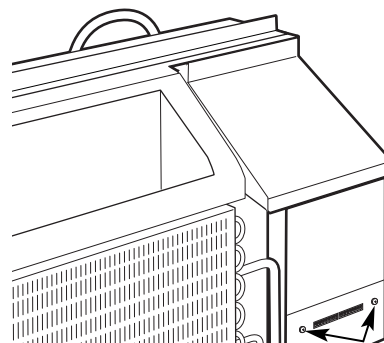
DIAGNOS (Diagnostic de vérification)

Commandes auxiliaires sur votre Zoneline.

Commandes auxiliaires—Bornes de raccordement

Les commandes auxiliaires sont situées derrière la carrosserie côté chambre, sous le couvercle d'accès.

- 1 Enlevez la carrosserie côté chambre. Consultez la section *Enlèvement de la carrosserie côté chambre*.
- 2 Retirez les vis du panneau inférieur du couvercle avant et retirez-le en le soulevant.
- 3 Après avoir effectué les réglages désirés, remplacez le panneau et la carrosserie côté chambre en suivant l'ordre inverse des étapes précédentes.



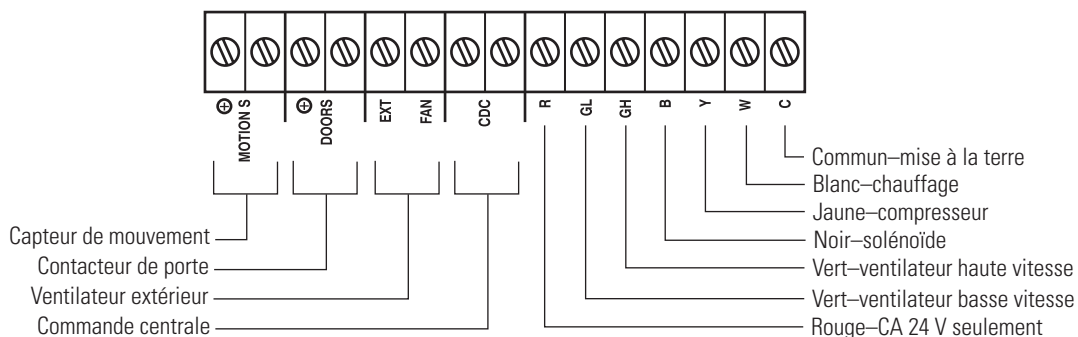
Retirez les vis et le panneau d'accès des bornes de branchement

Le propriétaire est responsable de faire tous les raccordements et de brancher les bons commutateurs DIP.

Insérez les câbles de branchement du bâtiment dans le bas des bornes et serrez les vis pour effectuer les connections.

⚠ MISE EN GARDE :

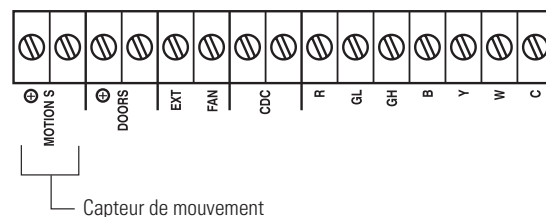
Un mauvais câblage peut endommager l'électronique de votre Zoneline. Aucune connexion doublée n'est permise. Elle peut occasionner des dommages ou un mauvais fonctionnement. Une paire de fils distincte doit aller de chaque commutateur de commande à chaque Zoneline.



Capteur de mouvement (obtenu localement)

Quand ce commutateur est branché, le capteur de mouvement mural détecte les mouvements dans la pièce et met en marche ou éteint automatiquement l'appareil.

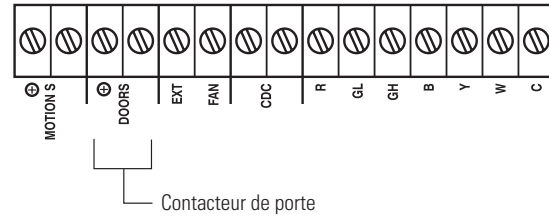
Le contacteur de porte et le capteur de mouvement fonctionnent ensemble pour met en marche ou éteint automatiquement l'appareil.



Contacteur de porte (obtenu localement)

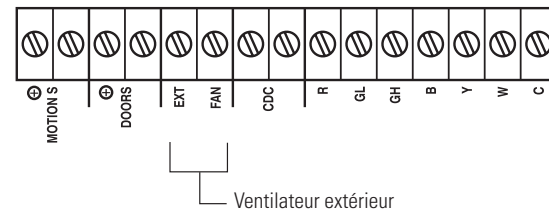
Quand ce commutateur est branché, le contacteur de porte détecte toute ouverture ou fermeture de la porte de la chambre. Cette caractéristique doit être utilisée en même temps que le capteur de mouvement.

Le capteur de mouvement et le contacteur de porte fonctionnent ensemble pour mettre en marche ou éteindre automatiquement l'appareil.



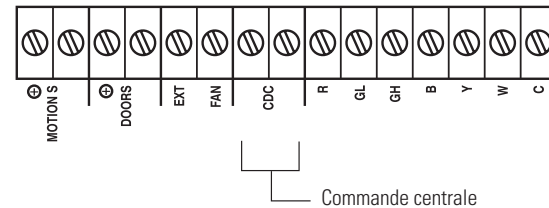
Ventilateur extérieur (obtenu localement)

Quand ce commutateur est branché, un ventilateur extérieur ou auxiliaire peut être contrôlé avec le moteur du ventilateur intérieur sur le Zoneline. Les branchements fournissent un courant alternatif de 24 V pour alimenter un relai à distance, mettant en marche le ventilateur extérieur.



Commande centrale

Quand ce commutateur est branché, l'appareil peut être mis en marche ou arrêté par un commutateur situé sur le panneau central de commande. Une paire distincte de fils doit aller de chaque commutateur de contrôle à chaque Zoneline.



Thermostat à distance

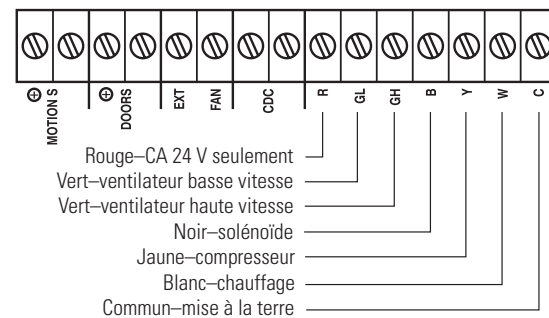
Quand ce commutateur est branché, l'appareil est contrôlé par un thermostat à distance.

NOTE : Le commutateur DIP numéro 4 doit se trouver en position branchée (**UP**) (en haut) pour que le thermostat à distance puisse fonctionner (Consultez les instructions d'installation accompagnant le thermostat à distance).

IMPORTANT :

Les connexions de thermostat du Zoneline ne fournissent que du courant alternatif de 24 V.

Si vous utilisez un thermostat mural numérique/électronique, vous devez le régler pour un courant alternatif de 24 V. Consultez les instructions d'installation de votre thermostat mural.



▲ MISE EN GARDE :

Vous pouvez endommager votre thermostat mural ou les éléments électroniques de votre Zoneline en faisant de mauvais branchements. Une attention particulière doit être portée lorsque vous branchez les câbles bleu et noir. Vous ne pouvez faire aucune connexion à un circuit de dérivation ayant la tension du secteur. Isolez tous les fils du bâtiment venant du secteur.

Entretien et nettoyage.

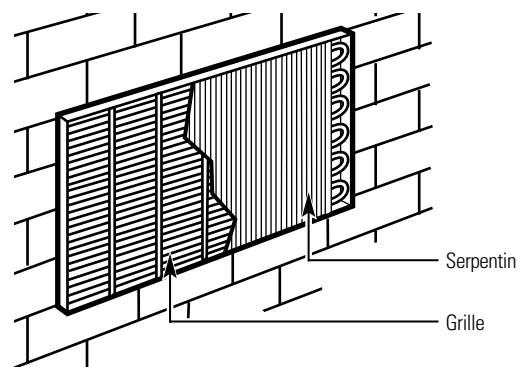
Carrosserie et boîtier côté chambre

Mettez hors circuit votre Zoneline et débranchez l'alimentation électrique.

Pour nettoyer, utiliser de l'eau et un détergent doux. N'utilisez jamais d'eau de Javel ou d'abrasif. Certains nettoyeurs commerciaux peuvent endommager les pièces en matière plastique.

Serpentin extérieur

Vous devez vérifier régulièrement le serpentin situé du côté extérieur du Zoneline. S'il est bloqué par de la poussière ou de la suie, vous pouvez le faire nettoyer professionnellement à la vapeur, service offert par votre centre de service GE. Vous devez enlever l'appareil pour inspecter le serpentin, parce que la saleté se concentre à l'intérieur.



Nettoyez le serpentin extérieur régulièrement.

Plateau

Dans certaines installations, de la saleté ou d'autres déchets pénètrent de l'extérieur dans votre appareil, et restent dans le plateau (le bas de votre appareil).

Dans certaines régions des Etats-Unis, on peut trouver dans le plateau une substance gélatineuse, ou collante.

Vérifiez périodiquement et nettoyez le cas échéant.

Filtre de ventilation

Si la porte de ventilation est ouverte, nettoyez le filtre deux fois par an ou chaque fois que c'est nécessaire.

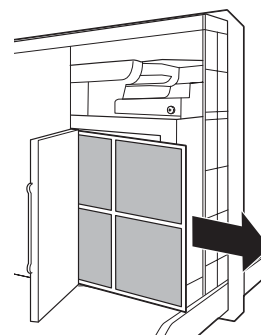
Mettez votre Zoneline en position OFF (arrêt) avant de nettoyer.

Enlèvement du filtre de ventilation :

- Enlevez la carrosserie côté chambre. Consultez la section *Enlèvement de la carrosserie côté chambre*.
- Enlevez les quatre vis qui fixent les rebords de votre appareil au boîtier.
- Faites glisser votre appareil en dehors du boîtier mural.
- Saisissez le taquet du filtre de ventilation et tirez sur le filtre pour le faire sortir en le faisant glisser vers la droite.

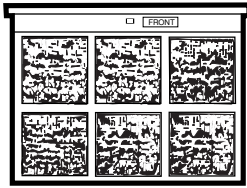
Nettoyage du filtre de ventilation :

- Envoyez de l'eau à travers le filtre à partir de l'arrière.
- Faites bien sécher avant de remettre en place.

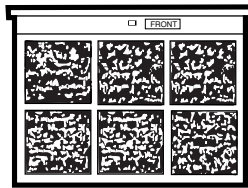


Pour obtenir un rendement optimal, nettoyez les filtres au moins tous les 30 jours.

Filtres à air



Filtre sale—doit être nettoyé



Filtre bloqué—réduit énormément le rafraîchissement, le réchauffement et la circulation d'air.

Débranchez votre Zoneline avant de le nettoyer.

Pour bien entretenir votre Zoneline, vous devez nettoyer les filtres au moins tous les 30 jours. Les filtres bouchés réduisent le rafraîchissement, le réchauffement et la circulation d'air.

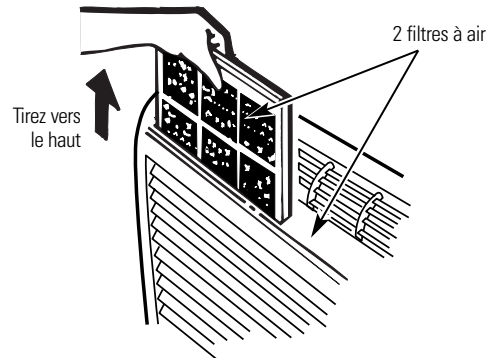
Si vous nettoyez bien ces filtres, cela :

- Diminue le coût de fonctionnement.
- Économise l'énergie.
- Empêche le serpentin de l'échangeur de chaleur de se bloquer.
- Réduit le risque de panne prématurée d'éléments de votre appareil.

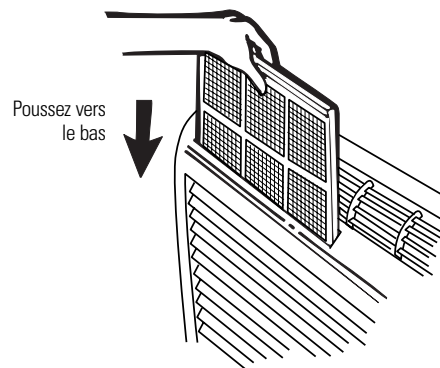
Nettoyage des filtres à air :

- Utilisez un aspirateur pour enlever la grosse saleté.
- Nettoyez les filtres à grande eau.
- Faites bien sécher avant de remettre en place.

Enlèvement des filtres à air :



Remise en place des filtres à air :



▲ MISE EN GARDE : Ne faites pas fonctionner votre Zoneline sans filtre en place. Si un filtre est déchiré ou endommagé, vous devez le remplacer immédiatement.

En faisant fonctionner votre Zoneline sans filtre ou avec un filtre endommagé, vous permettez à la poussière et à la saleté d'atteindre le serpentin intérieur et vous réduisez le rafraîchissement, le réchauffement, la circulation d'air et l'efficacité de votre appareil.

Les filtres de remplacement sont disponibles chez votre vendeur, votre concessionnaire GE, tout centre de service et de pièces détachées GE ou tout centre de service autorisé Customer Care®.

Instructions d'installation

Conditionneur d'air Zoneline

Questions? Appelez le 1.800.361.3400 ou visitez notre site Web à l'adresse : www.electromenagersge.ca

AVANT DE COMMENCER

Lisez ces instructions complètement et attentivement.

- **IMPORTANT** – Conservez ces instructions pour votre inspecteur local.
- **IMPORTANT** – Observez tous les codes et les ordonnances en vigueur.
- **Note à l'installateur** – Assurez-vous de laisser ces instructions au consommateur.
- **Note au consommateur** – Conservez ces instructions pour références futures.
- L'installateur est responsable d'une bonne installation.
- Toute panne de l'appareil due à une mauvaise installation est exclue de la garantie.

OUTILS NÉCESSAIRES



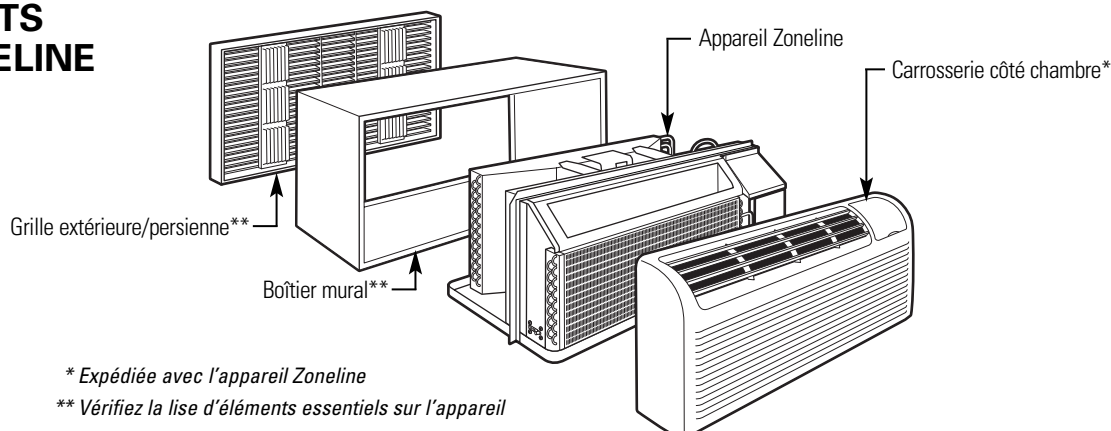
Tournevis cruciforme

IMPORTANT : SÉCURITÉ ÉLECTRIQUE—LISEZ ATTENTIVEMENT

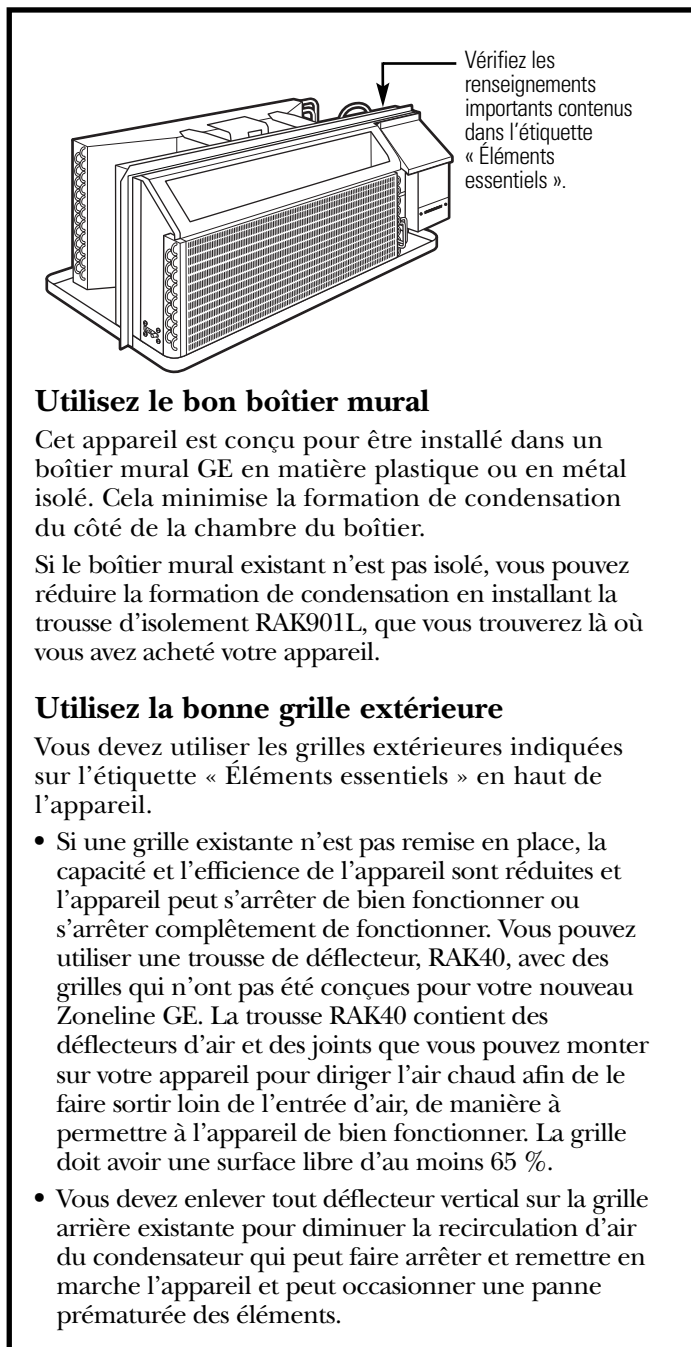
▲ MISE EN GARDE :

- Suivez le Code national de l'électricité (CNE) ou vos ordonnances et codes locaux.
- Pour votre sécurité personnelle, ce Zoneline doit être bien mis à la terre.
- Les appareils protecteurs (fusibles ou disjoncteurs) acceptables pour installer votre Zoneline sont indiqués sur la plaque signalétique de chaque appareil.
- N'utilisez jamais de rallonge électrique avec cet appareil.
- Les fils de bâtiment en aluminium peuvent poser des problèmes particuliers—consultez un électricien qualifié.
- Quand votre appareil est en position OFF (arrêt), il reste de la tension dans les commandes électriques.
- Débranchez le courant de votre appareil avant de l'entretenir ou de le réparer en :
 - 1 Enlevant le cordon d'alimentation (le cas échéant) de la prise murale.OU
 - 2 Enlevant les fusibles du circuit de dérivation ou en débranchant les disjoncteurs de dérivation au panneau.

ÉLÉMENTS DU ZONELINE



REMISE EN PLACE D'UN APPAREIL EXISTANT?



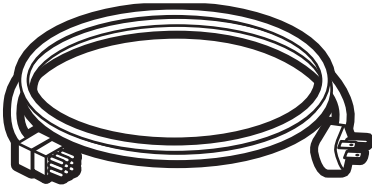
Instructions d'installation

ALIMENTATION ÉLECTRIQUE 230/208 VOLTS

BRANCHEMENT

- 1 Enlevez la carrosserie côté chambre.
- 2 Branchez au courant électrique.
- 3 Consultez les instructions spéciales ci-dessous pour les diverses tensions d'alimentation.
- 4 Ré-installez la carrosserie côté chambre.

Vous devez utiliser une trousse d'alimentation électrique pour alimenter en électricité l'appareil Zoneline. La bonne trousse dépend de la tension, le mécanisme de branchement électrique et l'ampérage du circuit de dérivation.



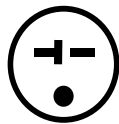
Trousse d'alimentation électrique

Le branchement à un circuit de 208 ou de 230 volts peut se faire avec une trousse d'alimentation électrique ou une trousse de boîte de dérivation.

Vous devez faire tout le câblage, y compris l'installation de la prise de courant, conformément au CNE et aux ordonnances, règlements et codes locaux. Les codes locaux peuvent exiger l'utiliser d'un mécanisme de détection de panne d'arc ou de courant de fuite sur le cordon d'alimentation. Assurez-vous de choisir le bon cordon d'alimentation pour votre installation.



Tandem
15 amp.



Perpendiculaire
20 amp.



Grosse tandem
30 amp.

Configuration de prise 230/208 volts.

Intensité en ampères du circuit de dérivation et de l'appareil	Bon cordon d'alimentation GE avec mécanisme LCDI
15	RAK3153
20	RAK3203
30	RAK3303*

*Non approuvé pour utilisation sur les modèles de 7000 BTU.

Les cordons d'alimentation peuvent comprendre un mécanisme d'interruption en cas de détection de courant de fuite ou d'interruption de panne d'arc. Un bouton d'essai et de remise en marche est fourni sur le boîtier de la prise ou sur le boîtier en ligne. Vous devez essayer le mécanisme périodiquement en appuyant d'abord sur le bouton TEST (essai) puis sur le bouton RESET (remise en marche). Si le bouton TEST (essai) ne bascule pas ou si le bouton RESET (remise en marche) ne reste pas enfoncé, cessez d'utiliser votre Zoneline et appelez un technicien de service qualifié.

Commandez la trousse RAK4002B pour un branchement direct 230/208 volts.

SI VOUS UTILISEZ UNE SOUS-BASE ÉLECTRIQUE

Vous pouvez installer les modèles 230/208 volts en utilisant l'une des sous-bases électriques suivantes :

Intensité en ampères du circuit de dérivation et de l'appareil	Bonne trousse de sous-base GE
15	RAK204D15P
20	RAK204D20P
30	RAK204D30P*

*Non approuvé pour utilisation sur les modèles de 7000 BTU.

Les sous-bases électriques fournissent une enceinte pour branchement direct ou des prises closes. Le cordon d'alimentation est compris dans la trousse de sous-base.

Vous devez suivre soigneusement les instructions fournies avec la trousse choisie de sous-base.

L'installateur est responsable d'assurer que les éléments soient branchés conformément à ces instructions et à tous les codes électriques.

Instructions d'installation

ALIMENTATION ÉLECTRIQUE DE 265 VOLTS

⚠ AVERTISSEMENT :

Vous **DEVEZ** brancher ce produit alimenté par courant alternatif de 265 volts au circuit de dérivation par branchement direct conformément au Code national d'électricité. Le Code n'autorise pas le branchement de votre appareil à une prise exposée montée sur le bâtiment. Vous devez installer ces modèles à l'aide de la bonne trousse d'alimentation électrique GE pour l'ampérage du circuit de dérivation et la puissance du chauffage à résistance électrique désirée. Utilisez le Tableau de branchement électrique pour déterminer la bonne trousse requise. Vous devez utiliser l'une des méthodes suivantes d'installation :

A Des trousse de sous-bases électriques sont disponibles pour fournir une enceinte flexible pour branchement direct.

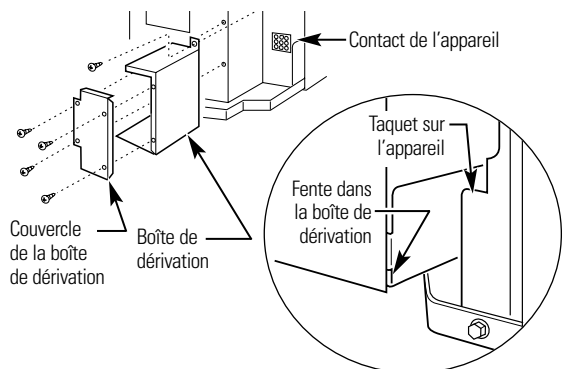
Intensité en ampères du circuit de dérivation et de l'appareil	Bonne trousse de sous-base GE	Trousse d'alimentation électrique
15	RAK204E15	RAK5172
20	RAK204E20	RAK5202
30	RAK204E30	RAK5302

Vous devez suivre soigneusement les instructions fournies avec la trousse choisie de sous-base. L'installateur est responsable de s'assurer que les éléments soient branchés conformément à ces instructions et à tous les codes électriques.

B Pour un branchement direct au circuit de dérivation dans la boîte de dérivation fournie sans l'utilisation d'une trousse de sous-base, coupez le câble, dénudez l'extrémité et branchez comme suit.

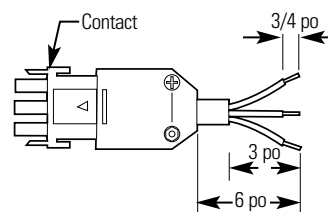
1 ENLEVEZ LA BOÎTE DE DÉRIVATION

- 1 Enlevez le couvercle de la boîte de dérivation en enlevant les quatre vis de devant.
- 2 Enlevez la boîte de dérivation en enlevant les vis de l'arrière situées en haut et en bas. Notez la manière dont le taquet situé au bas à droite de la boîte de dérivation sert à tenir le côté en place. Cela vous aidera à réinstaller la boîte. Le cordon sera enroulé dans la boîte de dérivation.



2 COUPEZ ET DÉNUDEZ LE CORDON

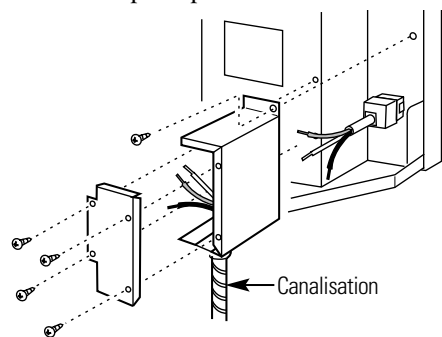
- 1 Enlevez le cordon de la trousse d'alimentation électrique. Mesurez 6 po du cordon à partir de l'endroit où il sort de l'arrière du contact en nylon et coupez le cordon à cet endroit.
- 2 Enlevez soigneusement 3 po de l'isolement du cordon, de manière à exposer les trois fils isolés.
- 3 Dénudez 3/4 po de l'isolement à l'extrémité de chacun des trois fils (L1, Neutre et Terre). Branchez le contact bien en place dans le contact correspondant de l'appareil. Assurez-vous de bien engager les taquets qui verrouillent les côtés.



NOTE : Commandez la trousse RAK4002CW pour permettre un débranchement rapide à l'intérieur de la boîte de dérivation.

3 FIXEZ LA CANALISATION

- 1 Utilisez l'alvéole défonçable en bas de la boîte de dérivation pour fixer la canalisation qui vient du circuit de dérivation. Enlevez l'alvéole, fixez la canalisation et amenez les fils dans la boîte de dérivation. Laissez 6 po de fils libres à l'extrémité de la canalisation pour pouvoir faire les branchements.



- 2 Si vous devez utiliser un fusible ou un porte-fusible, l'alvéole défonçable située en haut de la boîte sert à fixer un porte-fusible Buss. Assurez-vous que le fusible et le porte-fusible aient la même puissance que le circuit de dérivation. Les fils de connexion au fusible peuvent être soudés en place, ou fixés à l'aide de contacts à sertir femelles (prise) de 1/4 po homologués UL.

Instructions d'installation

ALIMENTATION ÉLECTRIQUE DE 265 VOLTS

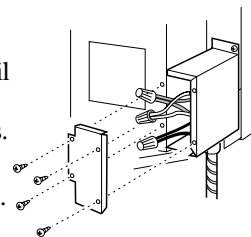
4 RÉ-INSTALLEZ LA BOÎTE DE DÉRIVATION

- Ré-installez la boîte de dérivation en engageant le taquet situé sur la façade arrière en bas de l'unité, en alignant le trou de vis en haut et en faisant passer la vis jusqu'à ce qu'elle tient bien. Assurez-vous que tous les fils de connexion soient à l'intérieur de la boîte et ne soient pas coincés entre la boîte et l'appareil. Le fil de connexion vert isolé en provenance de l'appareil **DOIT** être connecté au fil de mise à la terre du circuit de dérivation.

Faites tous les contacts de fils à l'aide des bons contacts et techniques électriques U/L (noir à noir, blanc à blanc et vert à vert).

5 RÉ-INSTALLEZ LE COUVERCLE DE LA BOÎTE DE DÉRIVATION

- 1 Groupez tous les fils et les contacts dans la boîte de dérivation. Assurez-vous qu'il n'y ait aucun contact lâche ou de fils non isolés exposés.



- 2 Placez le couvercle de la boîte de dérivation en place. Remettez en place les deux vis enlevées plus tôt et serrez fort.

- 3 Jetez la partie non utilisée de la prise et du cordon.

TABLEAU DE CONTACT ÉLECTRIQUE

Trousse d'alimentation électrique 230/208 volts avec mécanisme de détection de courant

	Configuration de prise murale	Mécanisme de protection de circuit	Puissance du chauffage @ 230/208 Volts
RAK3153	Tandem	Fusible délai/disjoncteur de 15 amp	2,55/2,09 KW
RAK3203	Perpendiculaire	Fusible délai/disjoncteur de 20 amp	3,45/2,82 KW
RAK3303*	Gros tandem	Fusible délai/disjoncteur de 30 amp	5,00/4,10 KW

Trousse d'alimentation électrique 265 volts

	Configuration de prise murale	Mécanisme de protection de circuit	Puissance du chauffage @ 265 Volts
RAK5172	Sans objet	Fusible délai/disjoncteur de 15 amp	2,55 KW
RAK5202	Sans objet	Fusible délai/disjoncteur de 20 amp	3,45 KW
RAK5302*	Sans objet	Fusible délai/disjoncteur de 30 amp	5,0 KW

*Non approuvé pour utilisation sur les modèles de 7000 BTU.

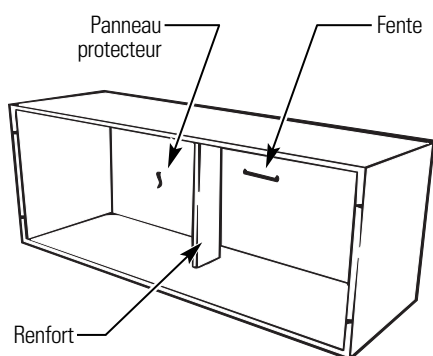
Instructions d'installation

INSTALLATION DU ZONELINE

1 INSTALLATION DU BOÎTIER MURAL ET DE LA GRILLE EXTÉRIÈRE

1 Vous devez bien installer le boîtier mural RAB77 ou la série RAB71, conformément aux instructions comprises dans le boîtier.

2 Enlevez le renfort en carton et le panneau protecteur extérieur. Utilisez la fente dans le panneau extérieur pour soutenir votre main et faites sortir en poussant.



3 Installez la grille extérieure à partir de la chambre en suivant les instructions contenues dans la grille.

Boîtier mural isolé

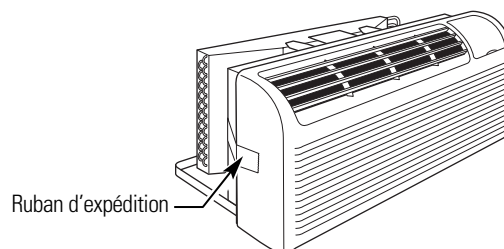
Cette unité est conçue pour être installée dans un boîtier mural en matière plastique GE ou en acier isolé. Cela minimise la formation de condensation du côté chambre du boîtier.

Les boîtiers muraux de la série RAB71 sont isolés. La trousse d'isolement RAK901L est disponible pour une utilisation avec le modèle RAB77 ou des boîtiers muraux non isolés existants, le cas échéant.

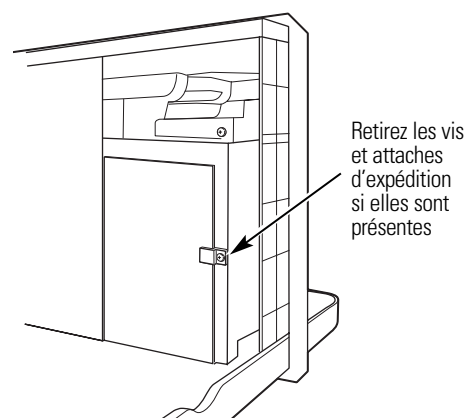
NOTE : Pour l'isolement avec une sous-base ou un adaptateur de canalisation, consultez les instructions contenues dans ces trousse.

2 PRÉPARATION DE L'APPAREIL

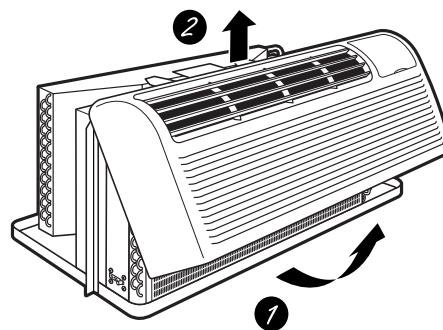
1 Retirez délicatement le ruban adhésif appliqué pour l'expédition, si c'est le cas, de la carrosserie côté chambre et de la porte du ventilateur.



2 Retirez les vis/attaches d'expédition de la porte du ventilateur, si elles sont présentes.



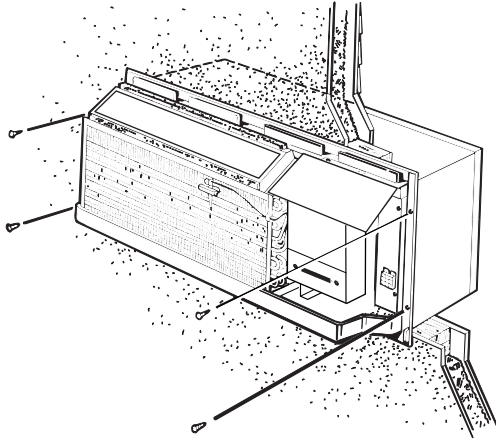
3 Enlevez la carrosserie côté chambre en la tirant en bas pour la libérer (1), puis soulevez pour quitter le rail le long du haut de l'appareil (2).



Instructions d'installation

3 INSTALLATION DE L'APPAREIL DANS LE BOÎTIER MURAL

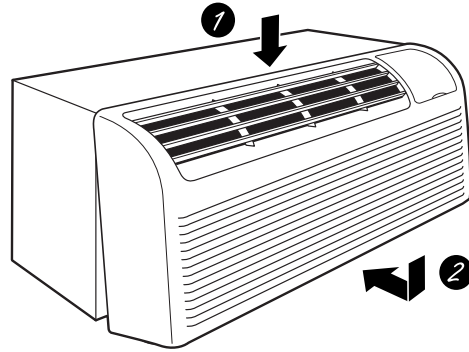
Faites glisser l'appareil dans le boîtier mural et fixez avec quatre vis en les faisant passer par les trous de la bride de l'appareil.



NOTE : Il y a des trous supplémentaires sur les rebords situés du côté de votre appareil, pour permettre son installation dans des boîtiers muraux autres que le boîtier GE. Pour éviter d'endommager l'isolement du rebord, l'installateur doit utiliser un poinçon ou un autre outil aiguisé pour trouser l'isolement dans les bons trous avant de visser les vis de fixation.

4 REMISE EN PLACE DU BOÎTIER CÔTÉ CHAMBRE

Ré-installez le boîtier côté chambre en accrochant le haut sur le rail du haut de l'appareil (1) puis en poussant le boîtier en bas (2).





Conseils de dépannage—Économisez du temps et de l'argent!
Consultez d'abord les tableaux qui suivent et vous pourrez peut-être éviter de faire appel à un réparateur.

Problème	Causes possibles	Correctifs
Le Zoneline ne se met pas en marche	L'appareil est débranché.	<ul style="list-style-type: none"> Assurez-vous de bien pousser la fiche du Zoneline dans la prise.
	Le fusible a sauté/ le disjoncteur a basculé.	<ul style="list-style-type: none"> Vérifiez le fusible/la boîte à fusibles de la maison et remplacez le fusible ou rebranchez le disjoncteur.
	L'appareil attend que le protecteur de surcharge du compresseur se remette en marche.	<ul style="list-style-type: none"> C'est normal. Le Zoneline se remettra en marche après la remise en marche du protecteur.
	Panne de courant.	<ul style="list-style-type: none"> Il existe un dispositif de démarrage à retardement automatique qui pourrait ne pas permettre à l'appareil de se mettre en marche, une fois l'alimentation rétablie et l'appareil remis en marche, et ce pour une durée d'environ 30 secondes. Il y a un délai de protection (jusqu'à 3 minutes) pour empêcher le déclenchement de la surcharge de compresseur. Aussi, l'appareil peut ne commencer à réchauffer ou à rafraîchir normalement qu'après un délai de 3 minutes.
	Le mécanisme d'interruption de courant est déclenché.	<ul style="list-style-type: none"> Appuyez sur le bouton RESET (remise en marche) situé sur la fiche du cordon électrique ou sur le boîtier près de la fiche. Si le bouton RESET (remise en marche) ne reste pas enfoncé, arrêtez le Zoneline et appelez un technicien qualifié.
Le Zoneline ne rafraîchit pas ou ne réchauffe pas autant qu'il devrait	L'entrée d'air de l'extérieur est réduite.	<ul style="list-style-type: none"> Assurez-vous qu'il n'y ait pas de rideau, de tenture ou de meuble qui bloque l'avant du Zoneline.
	La circulation de l'air extérieur est réduite ou l'air recircule.	<ul style="list-style-type: none"> Assurez-vous que la grille d'air ne soit pas bouchée. Cela peut faire arrêter l'appareil à cause du protecteur de surcharge du compresseur. La grille extérieure doit avoir au moins 65 % de surface libre. Les grilles qui ne sont pas GE peuvent être trop petites pour bien fonctionner. Consultez votre vendeur pour obtenir de l'aide.
	La commande de température peut ne pas avoir été bien réglée.	<ul style="list-style-type: none"> Réglez la commande à une température plus basse ou plus élevée. NOTE : Le réducteur de température peut limiter la portée de la température.
	Le filtre d'air est sale.	<ul style="list-style-type: none"> Nettoyez le filtre au moins tous les 30 jours. Consultez la section <i>Instructions de fonctionnement</i>.
	La chambre peut avoir été chaude ou froide.	<ul style="list-style-type: none"> Quand vous mettez en marche pour la première fois le Zoneline, vous devez donner à la chambre le temps de se réchauffer ou de se rafraîchir.
	De l'air de l'extérieur entre dans la chambre.	<ul style="list-style-type: none"> Réglez la commande en position fermé.

Avant d'appeler un réparateur...

Conseils de dépannage—Économisez du temps et de l'argent!

Problème	Causes Possibles	Correctifs
<i>Odeur de brûlé au début des opérations de réchauffement</i>	Il y a de la poussière sur l'élément de chauffage.	<ul style="list-style-type: none"> Cela peut occasionner une odeur de brûlé au début des opérations de réchauffement. Cette odeur doit disparaître rapidement.
<i>L'air n'est pas toujours chaud ou froid pendant le fonctionnement</i>	La pompe à chaleur ne produit pas d'air chaud.	<ul style="list-style-type: none"> C'est normal. La pompe à chaleur produit de l'air chaud, mais pas aussi chaud que l'air produit quand la chaleur électrique à haut coût est utilisée.
	Le commutateur du ventilateur peut être réglé en mode continu.	<ul style="list-style-type: none"> Le ventilateur souffle de l'air à la température ambiante, même quand le compresseur ou le chauffage s'arrête. Le mouvement d'air continu fournit une meilleure commande de la température en mode de refroidissement.
<i>L'air ne semble pas suffisamment chaud pendant l'opération de réchauffement</i>	La pompe à chaleur produit seule de l'air qui semble plus froid que désiré.	<ul style="list-style-type: none"> Utilisez l'option de réchauffement électrique. Cela arrête la pompe à chaleur et réchauffe uniquement avec le chauffage électrique. NOTE : L'utilisation de cette option occasionne une augmentation de la consommation d'énergie.
<i>L'afficheur de température clignote</i>	Le compresseur pourrait être défectueux.	<ul style="list-style-type: none"> Réglez la commande de mode à STOP puis redémarrez l'appareil. Si le témoin clignotant réapparaît dans les 30 minutes qui suivent, appelez un réparateur.

Bruits normaux de fonctionnement

PING! POP!


Vous pouvez entendre un ping causé par de l'eau qui est ramassée et envoyée contre le condensateur un jour pluvieux ou très humide. Cette caractéristique diminue l'humidité et améliore l'efficacité de l'appareil.

"CLIC"

Vous pouvez entendre les relais cliqueter quand les commandes arrêtent et mettent en marche l'appareil, ou s'ajustent pour changer la température ambiante.

DÉGOUTTEMENT


De l'eau s'amassera dans le plateau les jours pluvieux ou de grande humidité. L'eau peut déborder et couler du côté extérieur de l'appareil.

OUIR!


Le ventilateur intérieur fonctionne continuellement quand l'appareil fonctionne en mode de refroidissement, à moins que le commutateur de ventilateur sous la carrosserie côté chambre soit réglé en cycle ventilateur (UP, vers le haut). Cela fait démarrer et arrêter le ventilateur avec le compresseur. Vous pouvez aussi entendre un bruit de ventilateur quand il s'arrête et se met en marche.

**Délai de
3 minutes**



Vous pouvez noter un délai de quelques minutes quand vous essayez de remettre en marche votre Zoneline trop tôt après l'avoir arrêté ou si vous ajustez le thermostat juste après l'arrêt du compresseur. C'est dû à un mécanisme intégré de protection du compresseur en cas de remise en marche qui occasionne un délai de 3 minutes.

SILENCE

Pendant le cycle de dégel, le ventilateur intérieur et le ventilateur extérieur s'arrêtent et le compresseur fonctionne en mode de rafraîchissement pour dégeler le serpentin extérieur. Après ce dégel, l'appareil se remet en marche en mode de chauffage électrique pour réchauffer rapidement la chambre à la température désirée.

**PROTECTION
DU
COMPRESSEUR**

Pour protéger le compresseur et éviter des arrêts et des remises en marche répétés, l'appareil est conçu pour fonctionner au moins 3 minutes après la mise en marche du compresseur à n'importe quel réglage de thermostat.

<i>Soutien au consommateur</i>	<i>Conseils de dépannage</i>	<i>Entretien et nettoyage</i>	<i>Fonctionnement</i>	<i>Mesures de sécurité</i>
--------------------------------	------------------------------	-------------------------------	-----------------------	----------------------------

Notes.

Garantie Zonline.



Toutes les réparations sous garantie seront effectuées par nos centres de réparation ou nos réparateurs autorisés. Appelez le 1.800.361.3400. Veuillez fournir le numéro de série et le numéro de modèle lorsque vous appelez pour obtenir le service.

Agrafez le reçu d'achat ici. Pour obtenir le service sous garantie, vous devrez fournir la preuve de l'achat original.

Pour la période de :	GE remplacera gratuitement :
Un an À compter de la date d'achat original	Toute pièce du Zonline présentant un défaut dû au matériel ou à la main-d'oeuvre. Au cours de cette garantie limitée d'un an , GE couvrira gratuitement les frais de main d'oeuvre et de service connexe pour le remplacement de la pièce défectueuse.
Cinq ans À compter de la date d'achat original	Toute pièce du système scellé de réfrigération (compresseur, condenseur, évaporateur et tuyauterie) présentant un défaut dû au matériel ou à la main-d'oeuvre. Au cours de cette garantie limitée supplémentaire de quatre ans , GE couvrira gratuitement les frais de main d'oeuvre et de service connexe pour le remplacement de la pièce défectueuse.
Cinq ans À compter de la date d'achat original	De la deuxième à la cinquième année depuis la date d'achat original, GE remplacera certaines pièces qui présentant un défaut dû au matériel ou à la main-d'oeuvre. Les pièces couvertes sont les moteurs de ventilateur, les commutateurs, les thermostats, le chauffage, les protecteurs de chauffage, la surcharge de compresseur, les solénoïdes, les cartes de circuit imprimé, les thermistances, les commandes de gel, la pompe ICR, les condensateurs, les variateurs et le roulement à bille de la souffeuse intérieure. Pendant cette garantie limitée supplémentaire de quatre ans , vous serez de tous les frais de main-d'oeuvre et de service connexe.

Ce qui n'est pas couvert :

- Toute visite à votre site pour vous expliquer le fonctionnement de l'appareil.
- Une installation, livraison ou entretien inadéquate.
Si vous avez un problème d'installation, ou si l'appareil de conditionnement d'air ne rafraîchit pas suffisamment à votre goût, appelez votre revendeur ou votre installateur. Vous êtes responsable de fournir une installation adéquate de branchement électrique.
- Dans des locaux commerciaux, la main-d'oeuvre nécessaire pour transporter l'appareil jusqu'à un emplacement où il peut être réparé ou entretenu par un technicien qualifié.
- Toute panne ou tout dommage occasionné par la corrosion due à l'installation ou à un milieu contenant des produits chimiques corrosifs.
- Le remplacement des fusibles ou le réenclenchement des disjoncteurs.
- Toute panne de l'appareil résultant de modifications à l'appareil ou occasionnée par une utilisation non raisonnable, en particulier un manquement de fournir un entretien raisonnable et nécessaire.
- Toute panne ou dommage résultant d'une corrosion due à une installation à proximité de la mer, sauf s'il s'agit d'un modèle traité à l'usine contre la corrosion, comme l'indique son numéro de modèle.
- Tout dommage au produit attribuable à un voltage impropre d'alimentation électrique, un accident, un incendie, une inondation ou un cas de force majeure.
- Tout dommage direct ou indirect à la propriété privée causé en raison d'une défectuosité éventuelle de cet appareil.
- Le service s'il est impossible d'avoir accès au produit pour ce faire.

EXCLUSION DE GARANTIES IMPLICITES – Votre seul et unique recours est la réparation du produit selon les dispositions de cette Garantie limitée. Toutes les garanties implicites, incluant les garanties de commercialité et d'adéquation à un usage spécifique, sont limitées à une année ou à la période la plus courte autorisée par la législation.

Cette garantie s'étend à l'acheteur initial et à tout propriétaire ultérieur pour les appareils achetés pour un usage au Canada ou aux États-Unis. Si le produit est installé dans une région où ne se trouve aucun réparateur autorisé GE, vous devrez peut-être assumer les frais de transport ou apporter/expédier le produit à un centre de service autorisé GE. En Alaska, cette garantie exclut le coût d'expédition ou les appels de service à votre site.

Certains États ou provinces n'autorisent pas l'exclusion ou la restriction des dommages directs ou indirects. La présente garantie vous donne des droits juridiques particuliers, mais vous pouvez avoir d'autres droits qui varient d'un État ou d'une province à l'autre. Pour connaître vos droits, appelez le bureau de la protection du consommateur de votre localité, de votre État ou de votre province ou le procureur général de votre État.

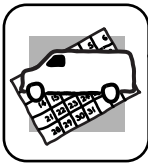
Soutien au consommateur.



Site Web appareils électroménagers GE

www.electromenagersge.ca

Vous avez une question ou vous avez besoin d'aide pour votre appareil électroménager? Contactez-nous par Internet au site www.electromenagersge.ca 24 heures par jour, tous les jours de l'année.



Service de réparations

1.800.361.3400

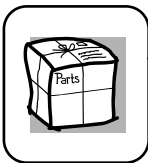
Service de réparations GE est tout près de vous.
Pour faire réparer votre électroménager GE, il suffit de nous téléphoner.



Studio de conception réaliste

Sur demande, GE peut fournir une brochure sur l'aménagement d'une cuisine pour les personnes à mobilité réduite.

Écrivez: Directeur, Relations avec les consommateurs, Camco, Inc.
Bureau 310, 1 Factory Lane
Moncton, N.B. E1C 9M3



Pièces et accessoires

Ceux qui désirent réparer eux-mêmes leurs électroménagers peuvent recevoir pièces et accessoires directement à la maison (cartes VISA, MasterCard et Discover acceptées).

Les directives stipulées dans le présent manuel peuvent être effectuées par n'importe quel utilisateur. Les autres réparations doivent généralement être effectuées par un technicien qualifié. Soyez prudent, car une réparation inadéquate peut affecter le fonctionnement sécuritaire de l'appareil.

Vous trouverez dans les pages jaunes de votre annuaire le numéro du Centre de service Camco le plus proche. Autrement, appelez-nous au 1.888.261.3055.



Contactez-nous

Si vous n'êtes pas satisfait du service après-vente dont vous avez bénéficié :

Premièrement, communiquez avec les gens qui ont réparé votre appareil.

Ensuite, si vous n'êtes toujours pas satisfait envoyez tous les détails—numéro de téléphone compris—au
Directeur, Relations avec les consommateurs, Camco, Inc.
Bureau 310, 1 Factory Lane
Moncton, N.B. E1C 9M3



Inscrivez votre appareil électroménager

Inscrivez votre appareil électroménager en direct, aussitôt que possible. Cela améliorera nos communications et notre service après-vente. Vous pouvez également nous envoyer par la poste le formulaire d'inscription joint à votre documentation.



Zoneline[®] Acondicionador de aire

Instrucciones de seguridad2

Instrucciones de operación

Control de ventilación4

Controles3

Controles auxiliares5-9

Dirección del aire4

Cuidado y limpieza

Bandeja de la base10

Filtro de ventilación10

Filtros de aire11

Gabinete del ambiente y montante ...10

Serpentinas externas10

Instrucciones de instalación

¿Desea cambiar una unidad
ya instalada?13

Instalación del acondicionador
de aire Zoneline17, 18

Preparación12

Suministro eléctrico14-16

Solucionar problemas19, 20

Sonidos normales de operación20

Soporte al consumidor

Garantía23

Soporte al consumidor ...Cubierta trasera

**Manual del propietario
y instrucciones
de instalación**

Modelo de calentar 5800

Escriba los números de modelo y serie aquí:

de Modelo _____

de Serie _____

Estos números se encuentran en una etiqueta ubicada detrás del gabinete del ambiente sobre la bandeja de la base.



INFORMACIÓN IMPORTANTE DE SEGURIDAD. LEA TODAS LAS INSTRUCCIONES ANTES DE USAR.

Seguridad

¡ADVERTENCIA!

Por su seguridad, se debe seguir la información en este manual para minimizar el riesgo de incendio o explosión, descargas eléctricas, o para evitar daños a la propiedad, lesiones personales, o la muerte.



PRECAUCIONES DE SEGURIDAD

- Antes de iniciar su uso, el acondicionador de aire Zonline debe instalarse correctamente según las Instrucciones de instalación. Ver las Instrucciones de instalación en la parte trasera de este manual.
 - Reemplace inmediatamente todos los cables eléctricos que se hayan pelado o que se hayan dañado de alguna otra manera. Un cable de corriente dañado no debe repararse, sino que debe ser sustituido por uno nuevo que se adquiera del fabricante. No use un cable eléctrico que muestre evidencias de deterioro, o daños de abrasión en su superficie en alguno de sus extremos.
 - Desenchufe o desconecte el Zonline desde la caja de fusibles o el disyuntor antes de realizar cualquier tipo de reparación.
- NOTA:** Recomendamos enérgicamente que cualquier servicio llevado a cabo en este equipo lo realice un individuo calificado.
- ¿Desea reemplazar una unidad ya instalada?**
Para más detalles, ver las Instrucciones de instalación en este manual.

Operación

Cuidado y limpieza

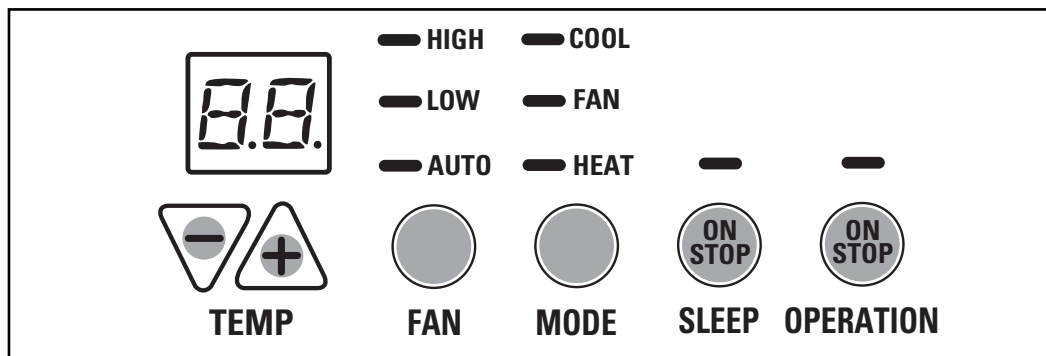


LEA Y SIGA ESTAS INSTRUCCIONES DE SEGURIDAD
CUIDADOSAMENTE.

GUARDE ESTAS INSTRUCCIONES

Solucionar problemas

Soporte al consumidor



CONTROL DE TEMPERATURA

1

OPERACIÓN DE VENTILADOR, MODO Y SUSPENSIÓN

2



Controles

1 Control de temperatura

El control de temperatura se usa para mantener la temperatura ambiente. El compresor se encenderá y apagará para mantener la habitación al mismo nivel de comodidad.

Pulse el botón + para subir la temperatura.
Pulse el botón – para bajar la temperatura.

Cuando la temperatura exterior es inferior a 25 °F (-3,8 °C), el aire acondicionado recibe el calor del calentador eléctrico en vez de hacerlo desde la bomba de calor.

2 Suspensión

Pulse para configurar el acondicionador de aire para que funcione durante 8 horas antes de que vuelva automáticamente a la configuración anterior.

Cuando esté en el modo de enfriamiento y se active el apagado automático, la temperatura establecida aumentará automáticamente 2 °F (-16,6 °C) después de la segunda hora y luego 1 °F (-17,2 °C) cada hora durante las dos horas siguientes. Además, la velocidad del ventilador cambiará a lenta. Cuando esté en el modo de calefacción, la temperatura establecida bajará de la misma manera.

Para cancelar el apagado automático, pulse el botón **MODE** o el botón **SLEEP** otra vez.

2 Control del ventilador, modo y operación

FAN—establece la operación del ventilador a la velocidad **ALTA (HIGH)**, **BAJA (LOW)** o **AUTOMÁTICA (AUTO)**. Cuando se pone en **AUTO**, se cambia automáticamente entre **LOW** y **HIGH** según cambie la temperatura ambiente.

MODO—COOL—Para enfriamiento

FAN—Para la operación del ventilador únicamente

HEAT—Para calefacción

OPERATION—ON/STOP (ENCENDIDO/DETERER)—

Enciende o apaga la unidad. La electricidad permanece conectada al Zoneline. La función Monitor de congelación (Freeze Sentinel) sigue funcionando si el interruptor 6 está habilitado (UP) (arriba). Consulte la sección de *Monitor de congelación*.

NOTA: El visualizador de la temperatura mostrará una luz intermitente para indicar una posible falla de la unidad. Consulte la sección **Antes de llamar para solicitar servicio**.

Sobre la bomba de calor

Se puede ahorrar dinero mediante el uso de las bombas de calor, ya que toman el calor del aire exterior—incluso cuando la temperatura externa se encuentra por debajo del punto de congelación—y lo liberan dentro de la habitación.

A fin de obtener el mejor desempeño de su bomba de calor, no modifique el termostato ambiental muy a menudo. Si eleva la configuración de calor en 2–3 grados, el Zoneline comenzará a utilizar sus elementos eléctricos de calentamiento para alcanzar rápidamente la nueva configuración de temperatura.

Para prevenir un encendido y apagado inmediato, el compresor se toma un mínimo de tres minutos para cambiar a cualquier configuración.

El motor de ventilación interna comienza a funcionar antes que el compresor y se detiene después de que éste último se haya apagado.

Los elementos eléctricos de calentamiento utilizan mucha más electricidad que las bombas de calor, y su operación resulta más costosa.

Otras características del Zonline.

Control de ventilación

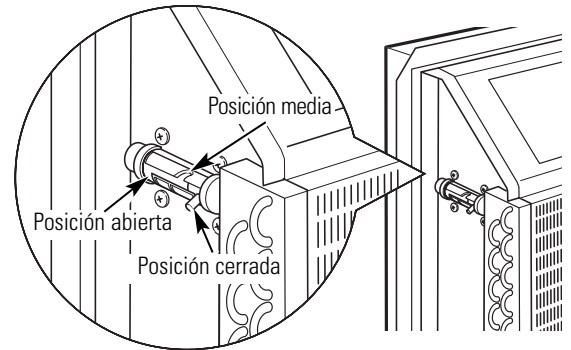
El dispositivo de control de ventilación está ubicado sobre el lado izquierdo superior del Zonline, detrás del gabinete del ambiente.

NOTA: Antes de comenzar a utilizar el aparato, deben retirarse los tornillos de empaque de la puerta de ventilación. Ver las Instrucciones de instalación en la parte trasera del manual.

Cuando se lo configura en posición cerrada, sólo circula y se filtra el aire dentro de la habitación.

Cuando se lo configura en posición abierta o posición media, se permite el ingreso de aire externo a la habitación. Esto reducirá la eficiencia para calentar o enfriar el ambiente.

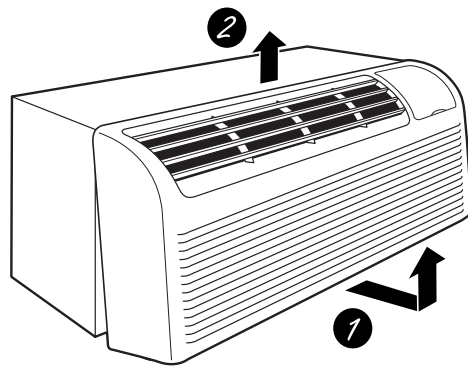
Consejo de ahorro de energía: Mantenga el dispositivo de control en la posición cerrada. De ese modo, el aire dentro del ambiente circulará y podrá filtrarse.



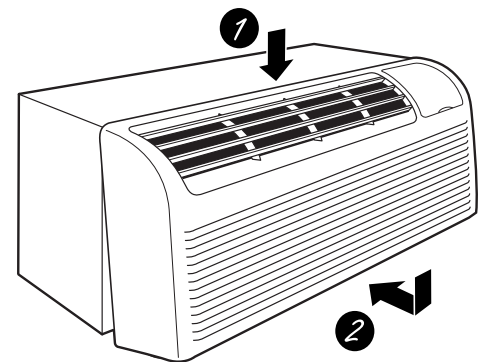
Cómo retirar el gabinete del ambiente

Existen controles adicionales ubicados detrás del gabinete del ambiente.

Para retirar: Jale de la parte inferior para desengancharlo de las pestañas (1). Luego empujelo hacia arriba (2).

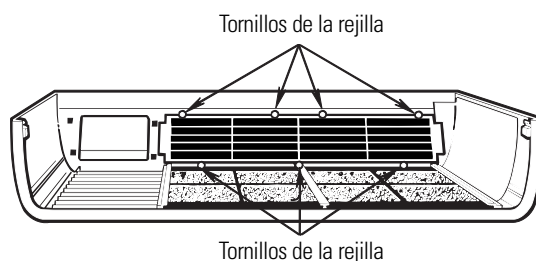


Para volver a colocar: Coloque las pestañas sobre el riel superior (1). Presione hacia adentro desde la parte inferior hasta que encaje en su lugar (2).

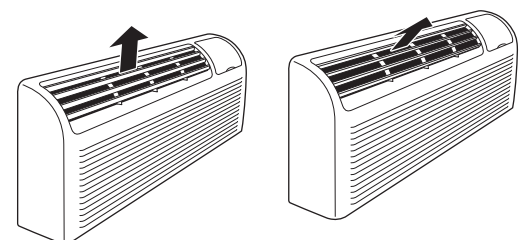


Dirección del aire

Para ajustar la dirección del aire, retire el gabinete del ambiente. Quite los 7 tornillos que sostienen la rejilla de ventilación en su lugar. Gire la rejilla en 180°, vuelva a colocar los tornillos y el gabinete.



Para cambiar la dirección del aire, retire el gabinete del ambiente y gire la rejilla en 180°.

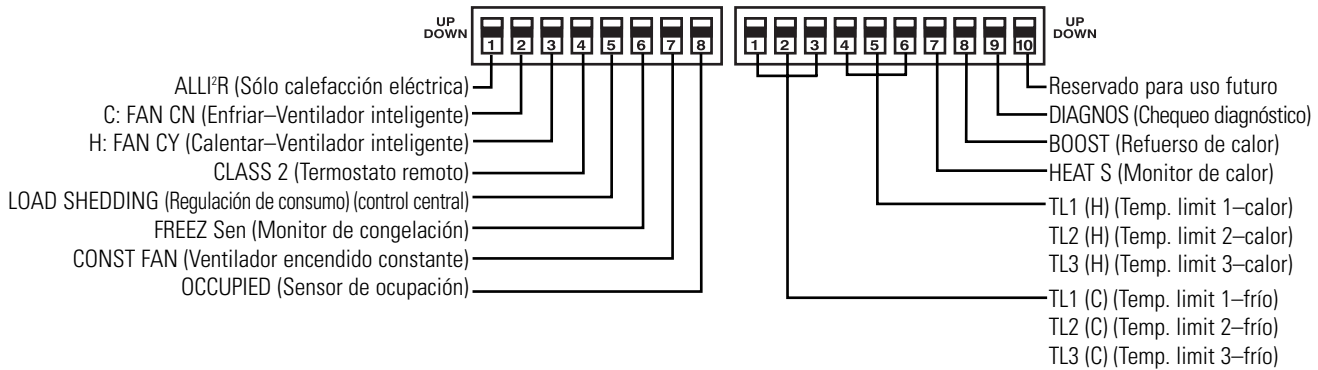
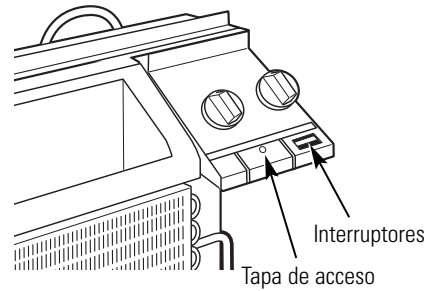


Controles auxiliares—Interruptores

Los controles de interruptores auxiliares están ubicados detrás del gabinete del ambiente, a través de una abertura por debajo del panel de control.

Retire el gabinete del ambiente. Ver la sección *Cómo retirar el gabinete del ambiente*.

El dueño es responsable de verificar los interruptores y asegurar que se encuentren en la posición deseada.



Sólo calefacción eléctrica

Cuando este interruptor se encuentra en posición de encendido (**UP**) (arriba), la operación de bomba de calor queda anulada, y de ese modo la unidad sólo emite calor a través de la resistencia eléctrica.



Enfriamiento—Ventilador inteligente

Cuando este interruptor se encuentra en la posición de encendido (**UP**) (arriba), el ventilador interno se enciende y apaga junto al compresor. Cuando este interruptor está en la posición de apagado (**DOWN**) (abajo), el ventilador interno funciona de manera constante.



Calefacción—Ventilador inteligente

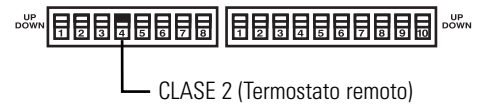
Cuando este interruptor se encuentra en la posición de encendido (**UP**) (arriba), el ventilador interno funciona de manera constante. Cuando este interruptor está en la posición de apagado (**DOWN**) (abajo), el ventilador se enciende y se apaga junto a la bomba de calor o a la operación de calefacción.



Controles auxiliares del Zoneline.

Termostato remoto—Clase 2

Cuando este interruptor está en la posición de encendido (**UP**) (arriba), la unidad comienza a funcionar con un Termostato de pared a control remoto Clase 2. Los controles de la unidad quedan anulados.



Regulación de consumo (Control central)

Esta característica se encuentra activa sólo si la unidad está en el modo CC (control central). Cuando este interruptor se encuentra en la posición de encendido (**UP**) (arriba), el ventilador interno puede encenderse o apagarse mediante los controles de la unidad.



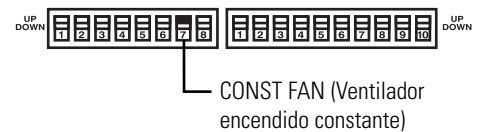
Monitor de congelación

Cuando este interruptor se encuentra en la posición de encendido (**UP**) (arriba), apaga la característica de protección de monitor de congelación. Cuando este interruptor está en la posición de apagado (**DOWN**) (abajo), se activa el monitor de congelación, que automáticamente provee calor sin la participación del usuario. Esto ayuda a prevenir daños en la cañería, ya que enciende el calefactor y la ventilación a 41° F y los apaga a 46° F.



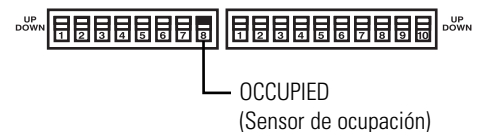
Ventilador encendido constante

Cuando este interruptor se encuentra en la posición de encendido (**UP**) (arriba), el ventilador interno funciona de manera constante, a gran velocidad, aún cuando la unidad se encuentre en la posición STOP (detener).



Sensor de ocupación

Cuando este interruptor se encuentra en la posición de encendido (**UP**) (arriba), la unidad comienza a utilizar un sensor de movimiento infrarrojo y un interruptor de puerta para detectar la ocupación de la habitación. Esta característica permite la instalación de un sistema de administración de energía que se opera en conjunto con la unidad.



Limitación de temperatura

La limitación de temperatura puede reducir costos de energía, puesto que limita la temperatura mínima que puede configurarse para enfriar una habitación y la temperatura máxima que puede programarse para calefaccionarla. La limitación de temperatura

está controlada por las segundas seis teclas auxiliares. Las primeras tres teclas se utilizan para seleccionar los límites de enfriamiento, y las tres restantes para controlar los límites de calefacción. Este característica no se encuentra disponible con el termostato remoto Clase 2.



TL1 (C) (Temp. limit 1-frío)
 TL2 (C) (Temp. limit 2-frío)
 TL3 (C) (Temp. limit 3-frío)



TL1 (H) (Temp. limit 1-calor)
 TL2 (H) (Temp. limit 2-calor)
 TL3 (H) (Temp. limit 3-calor)

ARRIBA	ABAJO	Mínimo	Máximo
NINGUNA	1, 2, 3	60°	85°
1	2, 3	64°	85°
1, 2	3	66°	85°
2	1, 3	68°	85°
2, 3	1	70°	85°
1, 2, 3	NINGUNA	72°	85°
1, 3	2	74°	85°
3	1, 2	76°	85°

ARRIBA	ABAJO	Mínimo	Máximo
NINGUNA	4, 5, 6	60°	85°
4	5, 6	60°	80°
4, 5	6	60°	78°
5	4, 6	60°	76°
5, 6	4	60°	74°
4, 5, 6	NINGUNA	60°	72°
4, 6	5	60°	70°
6	4, 5	60°	65°

Monitor de calor

Cuando este interruptor se encuentra en la posición de encendido (**UP**) (arriba), inicia la característica de protección de monitor de calor. Si el interruptor se encuentra apagado (**DOWN**) (abajo), el indicador de calor no está en funcionamiento. Esta característica provee enfriamiento automáticamente sin la participación del usuario. A fin de prevenir una habitación excesivamente calefaccionada, el sistema enciende el acondicionador de aire a 85° F y lo apaga a 80° F.



Heat Sentinel (Monitor de calor)

Heat Boost

Cuando este interruptor se encuentra en la posición de encendido (**UP**) (arriba), y las temperaturas externas se ubican entre 20° F y 46° F, la función de sólo bomba de calor queda anulada. Esta configuración se utiliza para brindar calor adicional a la operación de bomba de calor en condiciones en las que esta operación no alcanza para mantener una temperatura interna constante y confortable.



BOOST (Refuerzo de calor)

Chequeo diagnóstico—únicamente para uso del técnico

Cuando este interruptor está habilitado (**UP**) (arriba), la unidad realiza un chequeo operativo de todos sus componentes, lo que toma alrededor de 3 minutos (176 segundos). Esta herramienta de diagnóstico fue ideada para ser utilizada por un técnico calificado.



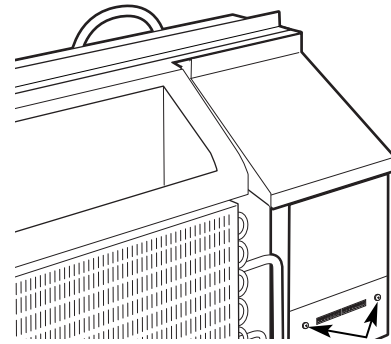
DIAGNOS (Chequeo diagnóstico)

Controles auxiliares del Zoneline.

Controles auxiliares—Conexiones terminales

Los controles auxiliares están ubicados detrás del gabinete del ambiente por debajo del panel de control.

- 1 Retire el gabinete del ambiente. Ver la sección *Cómo retirar el gabinete del ambiente*.
- 2 Quite los tornillos de la tapa frontal del panel inferior y levante el panel.
- 3 Después de que haya realizado todas las configuraciones deseadas, sustituya el panel y el gabinete del ambiente invirtiendo los pasos anteriores.



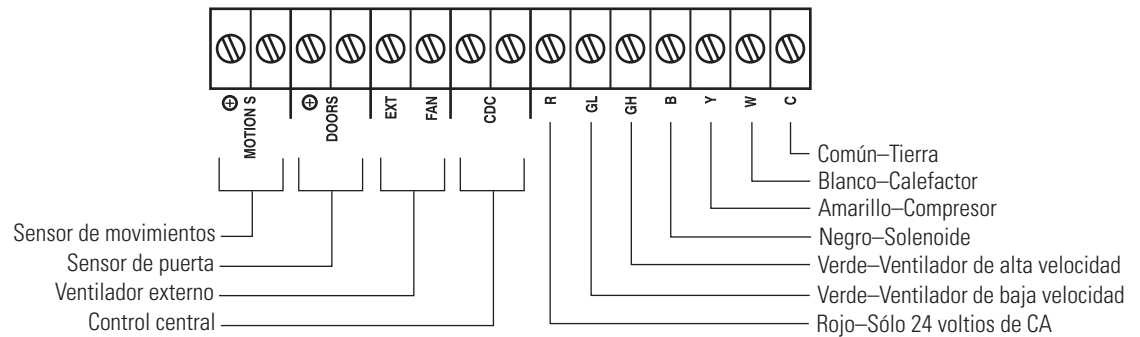
Quite los tornillos y el panel para tener acceso a las conexiones del terminal

El dueño es responsable de hacer todas las conexiones y de configurar los interruptores adecuados.

Introduzca los cables eléctricos del edificio en la parte de abajo del terminal y apriete bien el tornillo para realizar las conexiones deseadas.

PRECAUCIÓN:

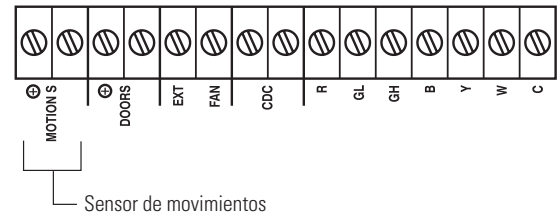
Una conexión eléctrica incorrecta puede dañar las partes electrónicas de su Zoneline. No se permite la conexión simultánea de varias unidades en un mismo cable. Esto puede provocar daños o generar un funcionamiento errático. Debe utilizarse un cable diferente desde cada interruptor de control hacia cada Zoneline.



Sensor de movimientos (disponible en forma local)

Cuando se lo conecta, el sensor de movimientos de pared detecta los movimientos de la habitación y automáticamente enciende o apaga la unidad.

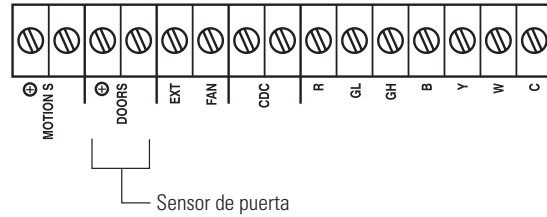
Los sensores de puerta y de movimientos trabajan juntos para automáticamente enciende o apaga la unidad.



Sensor de puerta (disponible en forma local)

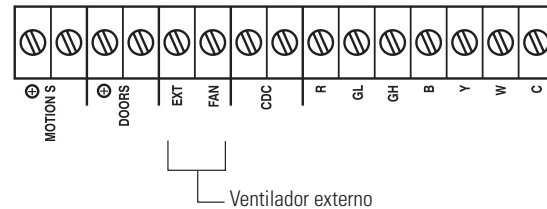
Una vez que se lo conecta, el sensor de puerta detecta la apertura o cierre de la puerta de una habitación determinada. Esta característica debe usarse en conjunto con el sensor de movimientos.

Los sensores de puerta y de movimientos trabajan juntos para automáticamente enciende o apaga la unidad.



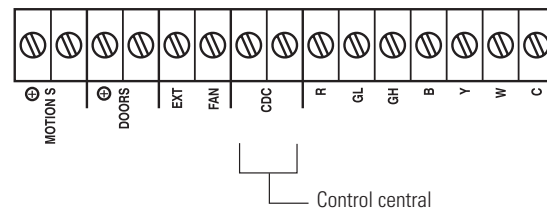
Ventilador externo (disponible en forma local)

Una vez que se lo conecta, un ventilador auxiliar o externo puede controlarse con el motor de ventilación interno de Zoneline. Las conexiones brindan 24 voltios de CA para suministrar energía a un circuito intermedio, lo que enciende el ventilador externo.



Control central

Una vez que se la conecta, la unidad puede encenderse o apagarse mediante una tecla ubicada en el panel central de control. Debe utilizarse un cable diferente desde cada interruptor de control hacia cada acondicionador de aire Zoneline.



Termostato remoto

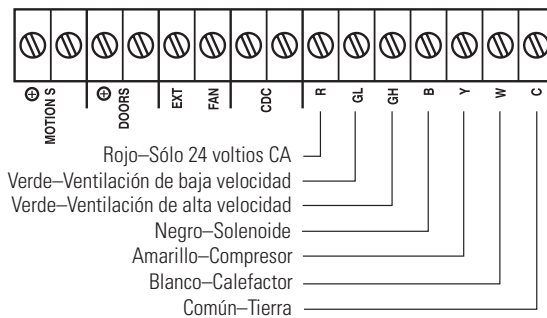
Una vez que se lo conecta, la unidad será controlada mediante un termostato remoto.

NOTA: El interruptor número 4 debe estar en la posición de encendido (**UP**) (arriba) para activar el termostato remoto. (Ver las instrucciones de instalación incluidas en el termostato remoto).

IMPORTANTE:

Las conexiones del termostato de Zoneline proveen sólo 24 voltios de CA.

Si utiliza un termostato de pared digital/ electrónico, éste debe configurarse a 24 voltios de CA. Ver las Instrucciones de instalación para el termostato de pared.



⚠ PRECAUCIÓN:

Unas conexiones inadecuadas pueden provocar daños al termostato de pared o a las partes electrónicas de Zoneline. Debe tener mucho cuidado al conectar los cables azul y negro. No deben realizarse conexiones de línea con ningún circuito. Todos los cables del edificio deben aislarse de la línea de tensión.

Cuidado y limpieza.

Seguridad

Gabinete del ambiente y montante

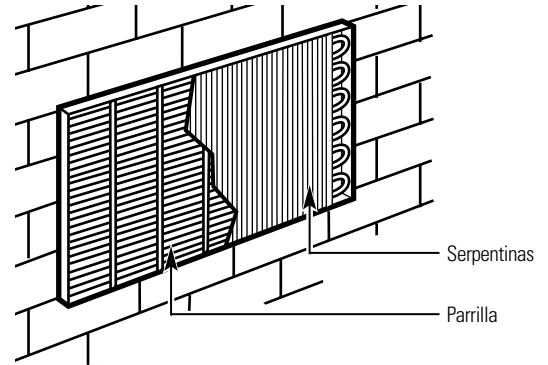
Apague el Zoneline y desconecte el suministro de energía.

Para limpiarlo, use agua con un detergente suave. No utilice blanqueador o sustancias abrasivas. Algunos limpiadores comerciales pueden dañar las partes plásticas.

Operación

Serpentinas externas

Las serpentinas de la zona externa del Zoneline deben verificarse de manera regular. Si están obstruidas con suciedad u hollín, pueden limpiarse con vapor, un servicio profesional disponible a través de los centros de servicio de GE. Hace falta retirar la unidad para inspeccionar las serpentinas porque la suciedad se acumula en el interior.



Limpie las serpentinas externas regularmente.

Cuidado y limpieza

Bandeja de la base

En algunas instalaciones, suciedad y otros residuos pueden ingresar a la unidad desde el exterior y acumularse en la bandeja de la base (la parte inferior de la unidad).

En algunas regiones de los EE.UU., se ha detectado una sustancia tipo “gel” o “cieno” en la bandeja de la base.

Realice una inspección periódica de la misma y límpiela, si así fuese necesario.

Solucionar problemas

Filtro de ventilación

Si la puerta de ventilación está abierta, limpie el filtro de ventilación dos veces al año o según sea necesario.

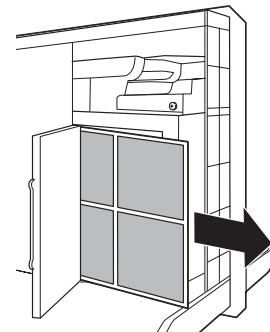
Apague el Zoneline antes de limpiar.

Para retirar el filtro de ventilación:

- Retire el gabinete del ambiente. Consulte la sección *Para retirar el gabinete del ambiente*.
- Retire los cuatro tornillos que aseguran los rebordes de la unidad al montante.
- Deslice la unidad desde el montante de pared.
- Agarre la lengüeta del filtro de ventilación y hale el filtro hacia afuera deslizándolo hacia la derecha.

Para limpiar el filtro de ventilación:

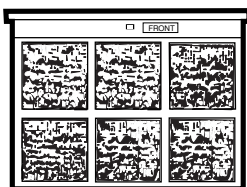
- Deje correr agua a través del filtro desde el lado posterior.
- Seque completamente antes de reemplazar.



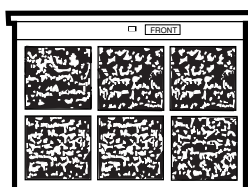
SopORTE al consumidor

Para mantener un funcionamiento óptimo, limpie los filtros cada 30 días.

Filtros de aire



Filtro sucio—debe limpiarse



Filtro obstruido—
reduce en gran medida
la refrigeración, la
calefacción y la circulación
de aire.

Apague el Zoneline antes de limpiarlo.

Lo más importante que puede hacer para mantener en buen estado su Zoneline es limpiar el filtro por lo menos cada 30 días. Los filtros obstruidos reducen la refrigeración, la calefacción y la circulación de aire.

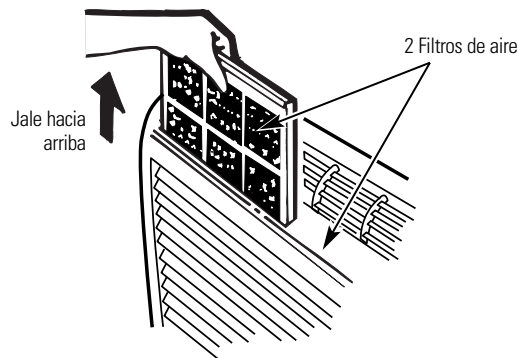
Si mantiene los filtros limpios:

- Reducirá el costo de la operación.
- Ahorrará energía.
- Prevenirá la obstrucción de las serpentinas en el intercambiador de calor.
- Reducirá el riesgo de roturas prematuras de las piezas.

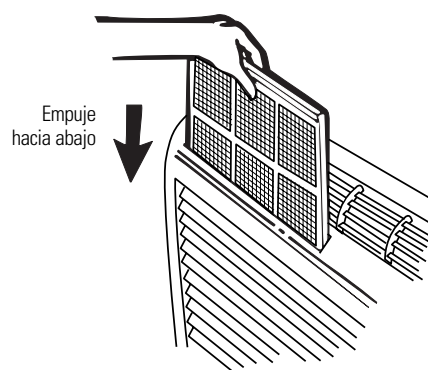
Para limpiar los filtros de aire:

- Aspire la suciedad más importante.
- Haga fluir agua a través de los filtros.
- Seque bien antes de volver a colocar.

Cómo retirar los filtros de aire:



Cómo volver a colocar los filtros de aire:



⚠ PRECAUCIÓN: No utilice el acondicionador de aire Zoneline sin los filtros colocados en su lugar. Si un filtro se rompe o se daña por alguna razón, éste debe cambiarse de manera inmediata.

Si pone el acondicionador en funcionamiento sin los filtros en su lugar o con filtros dañados, permitirá que la suciedad y el polvo lleguen a la serpentina interna y de esa manera la refrigeración, la calefacción, la circulación de aire y la eficacia general de la unidad se verán afectados.

Para adquirir filtros nuevos, comuníquese con su vendedor, su representante de GE, el Centro de Reparación y Piezas de GE o centro autorizado de técnicos Customer Care®.

Seguridad

Operación

Cuidado y limpieza

Solucionar problemas

Soporte al consumidor

Instrucciones de instalación

Acondicionador de aire Zoneline

¿Preguntas? Llame al 1.800.GE.CARES o visite nuestro sitio en la red a: ge.com

ANTES DE COMENZAR

Lea estas instrucciones completa y cuidadosamente.

- **IMPORTANTE** — Guarde estas instrucciones para que puedan ser usadas por el inspector local.
- **IMPORTANTE** — Siga todos los códigos y ordenanzas legales.
- **Nota para el instalador** — Cerciórese de dejar estas instrucciones con el consumidor.
- **Nota para propietario** — Guarde estas instrucciones para uso futuro.
- La instalación apropiada es la responsabilidad del instalador.
- La falla del producto debido a una instalación inadecuada no está cubierta por la garantía.

HERRAMIENTAS NECESARIAS



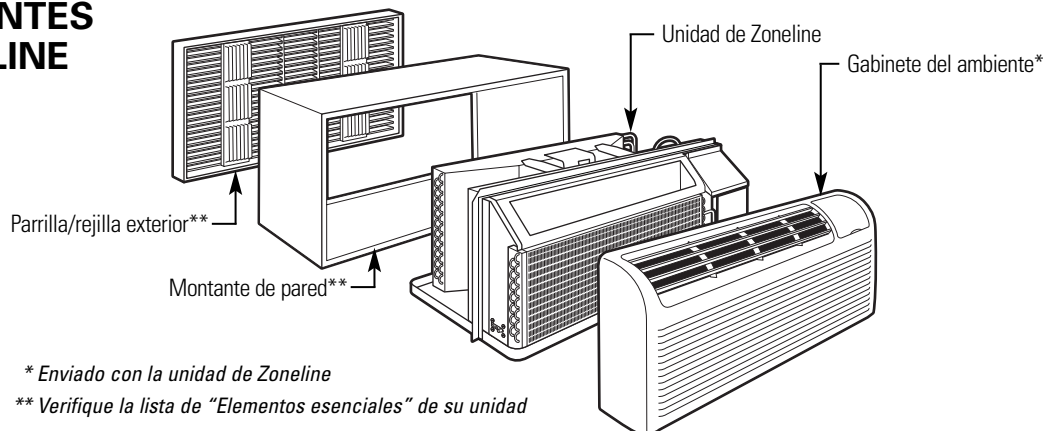
Destornillador de estrella

IMPORTANTE: SEGURIDAD ELÉCTRICA— LEA CUIDADOSAMENTE

⚠ PRECAUCIÓN:

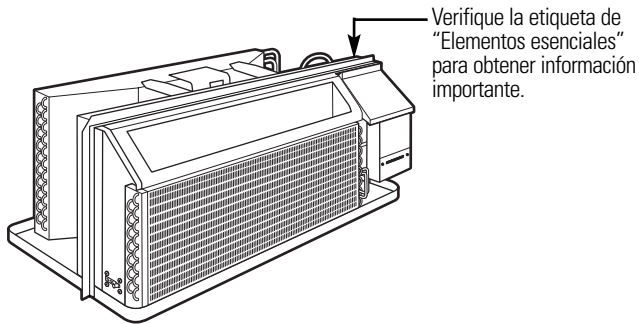
- Siga las instrucciones del National Electrical Code (Código de Electricidad Nacional) (NEC) o los códigos u ordenanzas locales.
- Para su seguridad personal, el acondicionador de aire Zoneline debe tener una adecuada conexión a tierra.
- Los dispositivos de protección (fusibles o disyuntores) adecuados para las instalaciones de Zoneline se encuentran especificados en la placa de cada unidad.
- No utilice un cable de extensión con esta unidad.
- El cableado de aluminio puede presentar problemas especiales: consulte a un electricista calificado.
- Cuando la unidad se encuentra en la posición OFF (apagado), todavía hay voltaje en los controles eléctricos.
- Antes de realizar reparaciones en la unidad, desconecte el suministro de energía de la siguiente manera:
 - 1 Retire el cable eléctrico (si posee uno) del receptáculo de la pared.
 - 2 Retire los fusibles de la sección o apague el disyuntor desde el panel.

COMPONENTES DEL ZONELINE



Instrucciones de instalación

¿DESEA CAMBIAR UNA UNIDAD YA INSTALADA?



Utilice el montante de pared correcto

Esta unidad está diseñada para instalarse en un montante para pared de plástico de GE o en uno de metal con aislamiento. Esto minimiza la condensación que podría formarse en el lado del montante que da a la habitación.

Si el montante de pared actual todavía no está aislada, se puede reducir la posibilidad de condensación mediante la instalación del equipo de aislamiento RAK901L, disponible en donde haya adquirido su acondicionador.

Utilice la parrilla externa correcta

Se deben utilizar las parrillas externas descritas en la etiqueta de "Elementos esenciales" en la parte superior de la unidad.

- Si no se reemplaza una parrilla existente, su capacidad y eficiencia se verán reducidas y la unidad no podrá funcionar correctamente o se romperá en forma prematura. Un kit deflector, RAK40, puede utilizarse con parrillas que no fueron diseñadas para las nuevos acondicionadores Zoneline de GE. El RAK40 contiene deflectores de aire y juntas que se colocan sobre la unidad, a fin de enviar la salida de aire caliente en una dirección diferente a la toma de aire, y de ese modo permitir que la unidad funcione correctamente. La parrilla debe tener un área libre de por lo menos 65%.
- Debe retirarse cualquier tipo de deflector vertical ubicado en la parrilla trasera a fin de evitar la recirculación de aire del condensador que podría provocar un "encendido y apagado inmediato" de la unidad y generar fallas prematuras en los componentes.

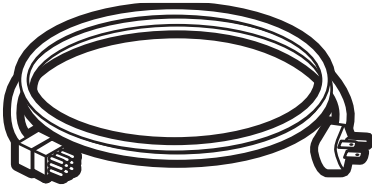
Instrucciones de instalación

SUMINISTRO ELÉCTRICO DE 230/208 VOLTIOS

CÓMO REALIZAR LA CONEXIÓN

- 1 Retire el gabinete del ambiente.
- 2 Conecte al suministro de energía.
- 3 Vea las instrucciones especiales a continuación para constatar los suministros de voltaje adecuados.
- 4 Vuelva a colocar el gabinete del ambiente.

Debe utilizarse un kit de suministro de energía a fin de dar electricidad al acondicionador de aire Zoneline. Se debe obtener el kit adecuado según el voltaje, la forma de conexión eléctrica y el amperaje del circuito de la zona.



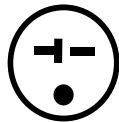
Kit de suministro de energía

Las conexiones de circuitos de 208 o 230 voltios pueden realizarse con un kit de suministro de energía o un kit de caja de conexiones.

Todos los cables, incluyendo la instalación del receptáculo, deben ajustarse a los códigos, ordenanzas y regulaciones locales y del NEC. Los códigos locales pueden requerir el uso de un dispositivo de detección de arcos o de fuga de corriente en el cable de alimentación. Asegúrese de elegir el cable correcto para su instalación.



Tándem
15 amp.



Perpendicular
20 amp.



Tándem grande
30 amp.

Configuración de receptáculo de 230/208 voltios.

Clasificación de circuito derivado y amperaje de la unidad	Cable de energía GE con dispositivo LCDI
15	RAK3153
20	RAK3203
30	RAK3303*

*No se ha aprobado el uso en modelos de 7000 BTU.

Los cables de alimentación pueden incluir un dispositivo para interrupción de arco o uno para interrupción y detección de fuga de corriente. Se incluye un botón de prueba y de reinicio en el dispositivo. El dispositivo debe ponerse a prueba periódicamente: primero se presiona el botón de TEST (prueba) y luego RESET (reinicio). Si el botón TEST no se dispara o si el botón RESET no queda enganchado, deje de utilizar el acondicionador de aire Zoneline y comuníquese con un técnico calificado.

Solicite el Kit RAK4002B para conexiones directas de 230/208 voltios.

SI UTILIZA UNA SUB-BASE ELÉCTRICA

Los modelos de 230/208 voltios pueden instalarse utilizando una de las siguientes sub-bases eléctricas:

Clasificación de circuito derivado y amperaje de la unidad	Kit adecuado de sub-base GE
15	RAK204D15P
20	RAK204D20P
30	RAK204D30P*

*No se ha aprobado el uso en modelos de 7000 BTU.

Las sub-bases eléctricas otorgan un recinto para conexiones directas o receptáculos cerrados. El kit de sub-base incluye el cable de energía.

Las instrucciones incluidas en el kit de sub-base seleccionado deben seguirse al pie de la letra. Es la responsabilidad del instalador asegurar que la conexión de los componentes se realice respetando estas instrucciones y todos los códigos de electricidad.

Instrucciones de instalación

SUMINISTRO ELÉCTRICO DE 265 VOLTIOS

⚠️ ADVERTENCIA:

La conexión de este producto de 265 voltios de CA a un circuito derivado **DEBE** realizarse mediante una conexión directa de acuerdo a las indicaciones del NEC. El código no permite enchufar esta unidad a una caja externa.

Estos modelos deben instalarse utilizando el kit de GE de suministro de energía adecuado para el amperaje de circuito derivado y el vatiaje deseado para el calefactor de resistencia eléctrica. Utilice la TABLA DE CONEXIONES ELÉCTRICAS en estas instrucciones de instalación para determinar cuál es el kit necesario. Debe utilizarse uno de los siguientes métodos de instalación:

A Los kits de sub-base eléctrica se encuentran disponibles a fin de proveer un recinto flexible para las conexiones directas.

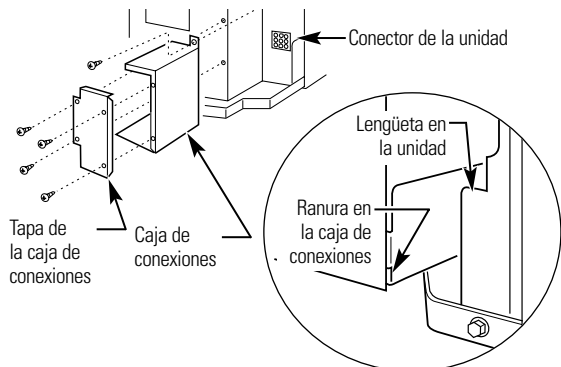
Clasificación de circuito derivado y amperaje de la unidad	Kit adecuado de sub-base GE	Kit de suministro de energía
15	RAK204E15	RAK5172
20	RAK204E20	RAK5202
30	RAK204E30	RAK5302

Las instrucciones incluidas en el kit de sub-base seleccionado deben seguirse al pie de la letra. Es la responsabilidad del instalador asegurar que la conexión de los componentes se realice respetando estas instrucciones y todos los códigos de electricidad.

B Para la conexión directa al cableado del circuito derivado dentro de la caja de conexiones provista sin usar un kit de sub-base, corte el cable, saque las terminaciones del cable y conéctelas de la siguiente manera.

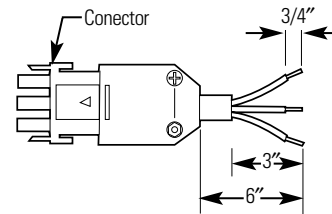
1 RETIRE LA CAJA DE CONEXIONES

- 1 Para retirar la tapa de la caja de conexiones, primero quite los cuatro tornillos frontales.
- 2 Para retirar la caja de conexiones, quite el tornillo posteriore superior. Observe cómo las pestañas en el lado derecho inferior de la caja de conexiones sirven para mantener el lado en su lugar. Esta información le servirá para volver a instalar la caja.



2 CORTE Y PELE EL CONJUNTO DE CABLES

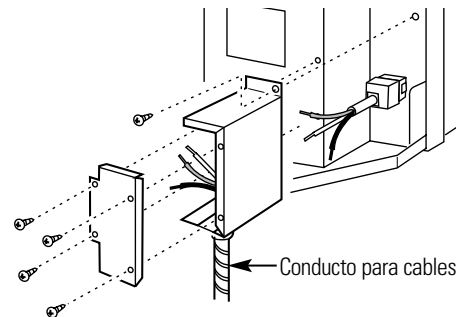
- 1 Retire el conjunto de cables del kit de suministro de energía. Mida 6" desde la parte donde el cable emerge de la trasera del conector de plástico y corte el cable en ese lugar.
- 2 Con cuidado retire 3" del aislante del cable a fin de exponer los tres cables.
- 3 Pele 3/4" del aislante al final de cada uno de los tres cables (L1, neutro y tierra). Enchufe el conector en el conector de acoplamiento de la unidad. Asegúrese de que las pestañas de fijación de los costados estén encastradas.



NOTA: Solicite el kit RAK4002CW para una rápida desconexión dentro de la caja de conexiones.

3 CONECTE EL CONDUCTO PARA CABLES

- 1 Utilice el orificio redondo ubicado en la parte inferior de la caja de conexiones para conectar el conducto de cables que proviene del circuito derivado. Retire la tapa del orificio, ajuste el conducto y acerque los cables hacia el interior de la caja de conexiones. Deje 6" libres de cable al final del conducto para que puedan realizarse las conexiones.



- 2 Si se van a utilizar fusibles y portafusibles, el orificio de la parte superior de la caja está destinado para instalar un portafusibles Buss. Asegúrese de que el fusible y el portafusibles tengan la misma potencia de servicio que el circuito derivado. Las terminales del fusible pueden soldarse en el lugar o conectarse mediante un conector a presión hembra (receptáculo) de 1/4" listado en UL.

Instrucciones de instalación

SUMINISTRO ELÉCTRICO DE 265 VOLTIOS

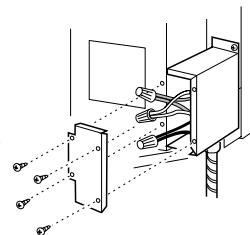
4 VUELVA A INSTALAR LA CAJA DE CONEXIONES

• Para volver a instalar la caja de conexiones, encaje la pestaña en la cara inferior, alineando el orificio del tornillo en la parte superior, y atornille el tornillo hasta que el sistema quede asegurado. Asegúrese de que todos los cables hayan quedado dentro de la caja y que no estén enganchados entre la caja y la unidad. El cable a tierra verde de la unidad **DEBE** estar conectado al cable a tierra del circuito derivado.

Realice todas las conexiones de cables utilizando técnicas o conectores apropiados listados en UL (negro con negro, blanco con blanco y verde con verde).

5 VUELVA A INSTALAR LA TAPA DE LA CAJA DE CONEXIONES

1 Con cuidado deposite todos los cables y conexiones dentro de la caja de conexiones. Asegúrese de que no hayan quedado conexiones sueltas o cables expuestos sin aislamiento.



2 Coloque la tapa de la caja de conexiones en su lugar. Reponga los dos tornillos y ajuste bien.

3 Arroje la parte sin usar del enchufe y del conjunto de cables.

TABLA DE CONEXIONES ELÉCTRICAS

Kits para suministro de energía de 230/208 voltios con dispositivo de detección de fuga de corriente

Configuración de enchufe de pared

Dispositivo de protección de circuito

Vatíaaje de calefactor @ 230/208 voltios

RAK3153	Tándem	Fusible de tiempo retardado/ disyuntor de 15 amp	2,55/2,09 KW
RAK3203	Perpendicular	Fusible de tiempo retardado/ disyuntor de 20 amp	3,45/2,82 KW
RAK3303*	Tándem grande	Fusible de tiempo retardado/ disyuntor de 30 amp	5,00/4,10 KW

Kits para suministro de energía de 265 voltios

Configuración de enchufe de pared

Dispositivo de protección de circuito

Vatíaaje de calefactor @ 265 voltios

RAK5172	No se aplica	Fusible de tiempo retardado/ disyuntor de 15 amp	2,55 KW
RAK5202	No se aplica	Fusible de tiempo retardado/ disyuntor de 20 amp	3,45 KW
RAK5302*	No se aplica	Fusible de tiempo retardado/ disyuntor de 30 amp	5,0 KW

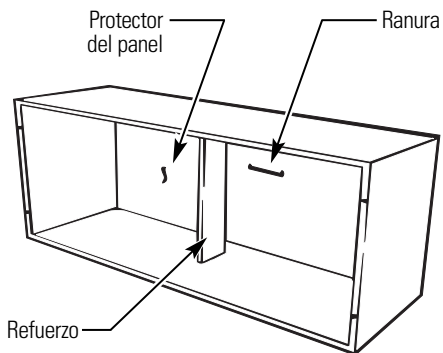
*No se ha aprobado el uso en modelos de 7000 BTU.

Instrucciones de instalación

CÓMO INSTALAR EL ZONELINE

1 INSTALACIÓN DEL MONTANTE DE PARED Y LA PARRILLA EXTERIOR

- 1 Los montantes de pared de la serie RAB71 o RAB77 deben instalarse correctamente mediante las instrucciones empaquetadas con el montante.
- 2 Retire el refuerzo corrugado y el panel de protección externo. Utilice la ranura del panel externo como un lugar para asirse y empuje hacia fuera.



- 3 Instale la parrilla exterior desde el lado de la habitación siguiendo las instrucciones incluidas en la parrilla.

Montante de pared aislado

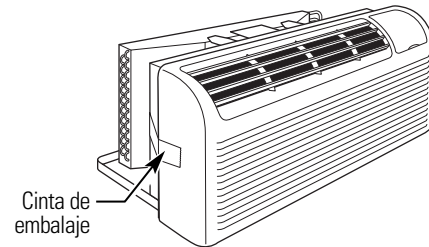
Esta unidad está diseñada para instalarse con un montante plástico de GE o un montante de pared de metal aislante. Estos elementos minimizan la formación de condensación en la parte que da a la habitación.

Los montantes de pared de la serie RAB71 tienen aislamiento. El kit de aislamiento RAK901L se encuentra disponible para la utilización con RAB77 o con montantes de pared ya instalados que no poseen aislamiento.

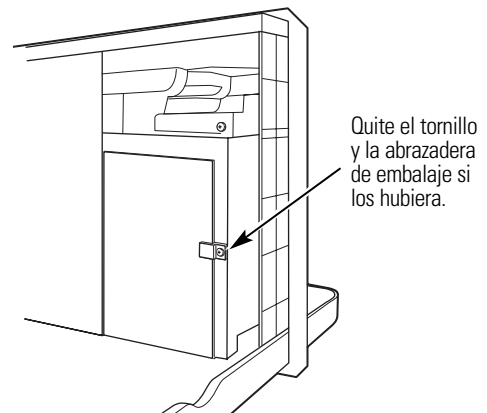
NOTA: Para la instalación con una sub-base, ver las instrucciones incluidas con dichos kits.

2 CÓMO PREPARAR EL GABINETE DEL AMBIENTE

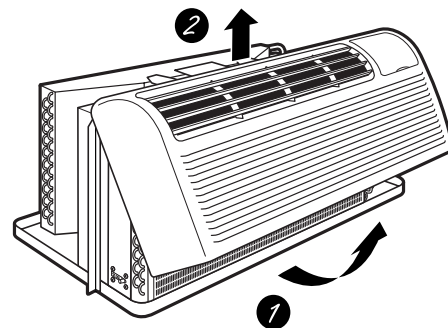
- 1 Quite la cinta de embalaje con cuidado, si la hubiera, del gabinete del ambiente y de la puerta de ventilación.



- 2 Quite el tornillo/abrazadera de embalaje de la puerta de ventilación, si lo hubiera.



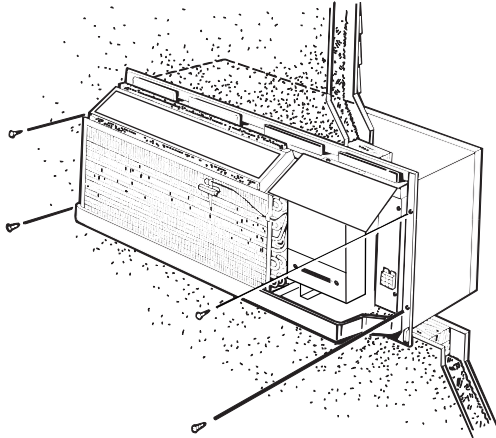
- 3 Para retirar el gabinete del ambiente, jale de él por la parte inferior para destrabarlo (1), luego elévelo para liberar el riel que se encuentra en la parte superior de la unidad (2).



Instrucciones de instalación

3 CÓMO INSTALAR LA UNIDAD EN EL MONTANTE DE PARED

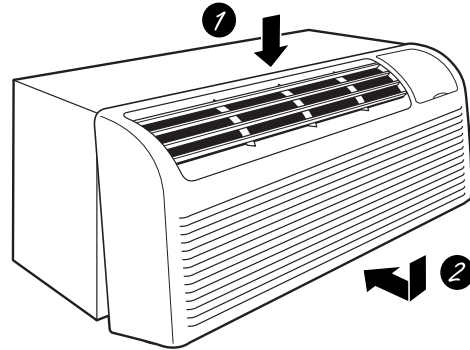
Deslice la unidad dentro del montante de pared y asegúrela con cuatro tornillos a través de los orificios del reborde.



NOTA: Hay varios orificios adicionales en los rebordes laterales de la unidad para instalación en montantes de pared diferentes a GE. Para evitar dañar el aislamiento del reborde, el instalador deberá usar un punzón u otra herramienta filosa para perforar el aislamiento en los orificios correctos antes de instalar los tornillos del accesorio.

4 CÓMO VOLVER A COLOCAR EL GABINETE DEL AMBIENTE

Para reinstalar el gabinete del ambiente, enganche la parte superior sobre el riel de la unidad (1) y luego empujelo desde la parte inferior (2).



Solucionar problemas

Problema	Causas posibles	Qué hacer
El Zoneline no se enciende	La unidad está desenchufada.	<ul style="list-style-type: none"> Asegúrese de que el enchufe de Zoneline esté insertado completamente.
	El fusible se disparó/ el cortocircuito se disparó.	<ul style="list-style-type: none"> Inspeccione los fusibles/caja de interruptores de la casa y reemplace cualquier fusible o reajuste el interruptor.
	La unidad está esperando que se reinicie el protector de sobrecarga del compresor.	<ul style="list-style-type: none"> Esto es normal. El Zoneline se pondrá en marcha de nuevo después de haberse reiniciado.
	Corte de energía.	<ul style="list-style-type: none"> Hay una función de activación de demora automática que puede que no permita que la unidad se encienda, después de que la energía se haya restablecido y que la unidad se haya encendido de nuevo, por 30 segundos aproximadamente. Hay una demora protectora (de hasta 3 minutos) para prevenir la interrupción de la sobrecarga del compresor. Por esa razón, la unidad no reiniciará la refrigeración o calefacción a los 3 minutos de haber sido encendida de nuevo.
El Zoneline no enfría o calienta como corresponde	El dispositivo de interrupción de corriente se ha activado.	<ul style="list-style-type: none"> Presione el botón RESET ubicado en el cable de alimentación o la caja cercana al enchufe. Si el botón RESET no se mantiene en su lugar, no utilice más el Zoneline y comuníquese con un técnico calificado.
	La circulación de aire interna se encuentra restringida.	<ul style="list-style-type: none"> Asegúrese de que no haya cortinas, persianas o muebles bloqueando el frente de Zoneline.
	La circulación de aire externa se encuentra restringida o hay recirculación de aire.	<ul style="list-style-type: none"> Asegúrese de que la parrilla trasera no esté cerrada. Esto puede provocar que la unidad se apague debido al protector de sobrecarga del compresor. La parrilla externa debe tener un área libre de por lo menos 65%. Las parrillas que no son GE pueden ser demasiado pequeñas para un desempeño adecuado. Consulte a su vendedor.
	El control de temperatura está mal configurado.	<ul style="list-style-type: none"> Gire el control a una configuración menor o mayor. NOTA: El limitador de temperatura puede estar acortando el rango de temperatura.
	El filtro de aire está sucio.	<ul style="list-style-type: none"> Limpie el filtro de aire por lo menos cada 30 días. Ver la sección <i>Instrucciones de operación</i>.
	La habitación estaba muy fría o muy caliente.	<ul style="list-style-type: none"> Cuando recién se enciende, Zoneline necesita un tiempo prudencial para enfriar a calentar una habitación.
Olор a quemado en el comienzo de la operación de calefacción	Está ingresando aire exterior a la habitación.	<ul style="list-style-type: none"> Configure el control de ventilación en la posición cerrada.
	Hay polvillo sobre la superficie del elemento de calefacción.	<ul style="list-style-type: none"> Esto puede provocar olor a "quemado" al comienzo de la operación de calefacción. Este olor desaparece con rapidez.
El aire no siempre está fresco o caliente durante la operación	La bomba de calor no está generando aire caliente.	<ul style="list-style-type: none"> Esto es normal. La bomba de calor emana aire caliente pero no tanto como el aire que se genera cuando se utiliza una calefacción eléctrica de mayor costo.
	El interruptor de ventilación puede estar configurado en ventilación continua.	<ul style="list-style-type: none"> Esto provoca que la ventilación haga circular aire a temperatura ambiente aún cuando el compresor o calefactor esté apagado. El movimiento de aire continuo brinda un mejor control de temperatura.

Seguridad

Operación

Cuidado y limpieza

Solucionar problemas

Soporte al consumidor

Antes de llamar para solicitar servicio...

Solucionar problemas

Seguridad

Problema	Causas posibles	Qué hacer
El aire no se siente lo suficientemente caliente durante la operación de calefacción	La bomba de calor sola produce aire que se siente más frío de lo deseado.	<ul style="list-style-type: none"> Utilice la opción de calefacción eléctrica. Esta apaga la bomba de calor y calefacciona sólo con calor eléctrico. NOTA: El uso de esta opción provocará un incremento en el consumo de energía.
El visualizador de temperatura muestra una luz intermitente	El compresor puede haber fallado.	<ul style="list-style-type: none"> Establezca el control de modo en STOP (detener) y luego encienda de nuevo la unidad. Si la luz intermitente aparece de nuevo en menos de 30 minutos, llame para solicitar servicio.

Operación

Estos sonidos son normales.

Sonidos normales de operación



Se puede escuchar un sonido metálico provocado por el ascenso de agua y su choque contra el condensador en días lluviosos o cuando hay una elevada humedad. Esta característica de diseño ayuda a eliminar humedad y mejorar la eficiencia.

"CLIC"

Se pueden escuchar diferentes "clics" cuando los controles se apagan y encienden o cuando se ajustan para cambiar la temperatura de la habitación.



En días lluviosos o de elevada humedad se acumula agua en la bandeja de la base. El agua puede derramarse y gotear desde el lado externo de la unidad.



El ventilador interno funciona continuamente cuando la unidad está operando en el modo de enfriamiento, a menos que el interruptor del ventilador ubicado detrás del gabinete del ambiente se encuentre configurado en ciclo de ventilación (up) (arriba). Esto provocará que el ventilador se encienda y apague junto al compresor. También puede escucharse un ventilador que se enciende y apaga.

Demora de 3 minutos



Notará que Zoneline demora unos minutos en volver a encenderse si se trata de reanudar el funcionamiento demasiado rápido después de apagarlo o si se ajusta el termostato segundos después de que el compresor se haya apagado. Esto se debe a un protector incorporado del compresor que provoca una demora de 3 minutos.

SILENCIO

Durante el ciclo de descongelado, los ventiladores internos y externos se detienen y el compresor funciona en el modo de enfriamiento para quitar la escarcha de las serpentinas externas. Después del descongelamiento, la unidad se reinicia en calefacción eléctrica para calentar la habitación rápidamente al nivel de confort deseado.

PROTECCIÓN DEL COMPRESOR

Para proteger el compresor y para prevenir los encendidos y apagados inmediatos, la unidad está diseñada para funcionar por un mínimo de 3 minutos después de que el compresor se enciende en cualquier configuración de termostato.

Cuidado y limpieza

Solucionar problemas

Sopote al consumidor

Notas.

<i>Seguridad</i>	<i>Operación</i>	<i>Cuidado y limpieza</i>	<i>Solucionar problemas</i>	<i>Soporte al consumidor</i>
------------------	------------------	---------------------------	-----------------------------	------------------------------

<i>Sopote al consumidor</i>	<i>Solucionar problemas</i>	<i>Cuidado y limpieza</i>	<i>Operación</i>	<i>Seguridad</i>
-----------------------------	-----------------------------	---------------------------	------------------	------------------

Notas.

Garantía de Zoneline.



Todos los servicios de garantía los proporcionan nuestros Centros de Reparación de Fábrica o nuestros técnicos Customer Care® autorizados. Para concertar una cita de reparación, en línea, 24 horas al día, visítenos al ge.com, o llame al 800.GE.CARES (800.432.2737). Cuando llame para solicitar servicio, por favor tenga a mano el número de serie y el número de modelo.

Engrape su recibo aquí.
Es necesario una prueba de su compra original para obtener servicio bajo la garantía.

Por el período de:	GE reemplazará
Un año A partir de la fecha de la compra original	Cualquier parte del acondicionador de aire que falle debido a defectos en los materiales o en la fabricación. Durante esta garantía limitada de un año , GE también proporcionará, sin costo alguno , toda la mano de obra y el servicio relacionado para reemplazar partes defectuosas.
Cinco años A partir de la fecha de la compra original	Cualquier parte del sistema de refrigeración sellada (compresor, condensador, evaporador y tuberías de conexión) que fallen debido a defectos en los materiales o fabricación. Durante estos cuatro años adicionales de garantía limitada GE también proporcionará, sin costo alguno , toda la mano de obra y el servicio relacionado para reemplazar partes defectuosas.
Cinco años A partir de la fecha de la compra original	Desde el segundo hasta el quinto año desde la fecha de compra original, GE reemplazará ciertas partes que fallen debido a un defecto de los materiales o de la mano de obra. Las partes cubiertas son motores de ventilación, interruptores, termostatos, calefactor, protectores del calefactor, sobrecarga del compresor, solenoides, placas de circuito, controles auxiliares, termistores, controles de escarcha, bomba ICR, condensadores, resistencias no lineales y sostén interno del ventilador. Durante estos cuatro años adicionales de garantía limitada , el comprador se hará responsable de la mano de obra o de los costos de servicio relacionado.

Lo que GE no cubrirá:

- Viajes de servicio a su ubicación para mostrarle cómo funciona el equipo.
- Instalación o entrega inapropiada, o mantenimiento impropio.
Si usted tiene un problema durante la instalación, o si su acondicionador de aire no tiene la capacidad de enfriamiento que usted necesita, póngase en contacto con nuestro distribuidor o instalador. Usted es responsable de proporcionar las facilidades de conexión eléctrica necesarias.
- En ubicaciones comerciales, la mano de obra necesaria para retirar la unidad hacia un lugar para revisión por parte de un técnico individual.
- Fallas o daños provocados por la corrosión debido a la instalación en medio que contenga químicos corrosivos.
- Reemplazo de fusibles o reajuste de los interruptores de circuito.
- Fallas del producto provocadas por modificaciones al producto o debido a un uso irrazonable, o la falta de un mantenimiento adecuado y necesario.
- Fallas o daños provocados por la corrosión debido a la instalación en una región costera, excepto en modelos tratados con una protección anticorrosiva especial aplicada en la fábrica, como lo establece el número de modelo.
- Daño al producto causado por voltaje inapropiado hacia el equipo, accidentes, incendios, inundaciones o actos de la naturaleza de fuerza mayor.
- Daños incidentales o consecuenciales a propiedad personal causados por defectos posibles con este acondicionador de aire.
- Producto no accesible para facilitar el servicio requerido.

EXCLUSIÓN DE GARANTÍAS IMPLÍCITAS—Su único y exclusivo derecho es la reparación del producto, tal y como se indica en esta Garantía limitada. Cualquier garantía implícita, incluyendo las garantías implícitas de comerciabilidad o adecuación para un fin determinado, están limitadas a un año o el período de tiempo más breve permitido por la ley.

Esta garantía se extiende al comprador original y cualquier comprador posterior de productos comprados para uso dentro de Estados Unidos y Canadá. Si el producto está situado en un área que no dispone de servicio por parte de un proveedor de servicio autorizado de GE, podría tener que hacerse cargo de los costes de envío o bien podría solicitarse que lleve el producto a un centro de servicio de GE autorizado para realizar la reparación. En Alaska, la garantía excluye el costo de envío o las visitas de servicio a su ubicación.

Algunos estados no permiten la exclusión o las limitaciones de daños incidentales o consecuenciales. Esta garantía da derechos legales específicos, y usted podría tener otros derechos que variarán de estado a estado. Para saber cuáles son sus derechos legales, consulte a la oficina de asuntos del consumidor local o la oficina del Attorney General en su localidad.

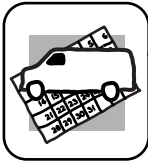
Ayuda al Cliente.



Página Web de GE Appliances

ge.com

¿Tiene alguna pregunta sobre su electrodoméstico? ¡Pruebe la página Web de GE Appliances 24 horas al día, cualquier día del año! Para mayor conveniencia y servicio más rápido, ya puede descargar los Manuales de los Propietarios, pedir piezas o incluso hacer una cita en línea para que vengan a realizar una reparación. También puede “Ask Our Team of Experts™” (Preguntar a nuestro equipo de expertos) sobre cualquier cuestión y mucho más...



Solicite una reparación

ge.com

El servicio de expertos GE está a tan sólo un paso de su puerta. ¡Entre en línea y solicite su reparación cuando le venga bien 24 horas al día cualquier día del año! O llame al 800.GE.CARES (800.432.2737) durante horas normales de oficina.



Real Life Design Studio (Estudio de diseño para la vida real)

ge.com

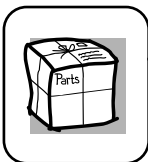
GE apoya el concepto de Diseño Universal—productos, servicios y ambientes que pueden usar gente de todas las edades, tamaños y capacidades. Reconocemos la necesidad de diseñar para una gran gama de habilidades y dificultades físicas y mentales. Para más detalles sobre las aplicaciones de GE Diseño Universal, incluyendo ideas de diseño para la cocina para personas con discapacidades, mire nuestra página Web hoy mismo. Para personas con dificultades auditivas, favor de llamar al 800.TDD.GEAC (800.833.4322).



Garantías ampliadas

ge.com

Compre una garantía ampliada y obtenga detalles sobre descuentos especiales disponibles mientras su garantía está aún activa. Puede comprarla llamando al 800.626.2224 durante horas normales de oficina. GE Consumer Home Services estará aún ahí cuando su garantía termine.



Piezas y accesorios

ge.com

Aquellos individuos con la calificación necesaria para reparar sus propios electrodomésticos pueden pedir que se les manden las piezas o accesorios directamente a sus hogares (aceptamos las tarjetas VISA, MasterCard y Discover). Haga su pedido en línea hoy, 24 horas cada día o llamar por teléfono al 800.626.2002 durante horas normales de oficina.

Las instrucciones descritas en este manual cubren los procedimientos a seguir por cualquier usuario. Cualquier otra reparación debería, por regla general, referirse a personal calificado autorizado. Debe ejercerse precaución ya que las reparaciones incorrectas pueden causar condiciones de funcionamiento inseguras.



Póngase en contacto con nosotros

ge.com

Si no está satisfecho con el servicio que recibe de GE, póngase en contacto con nosotros en nuestra página Web indicando todos los detalles así como su número de teléfono o escribanos a:

General Manager, Customer Relations
GE Appliances, Appliance Park
Louisville, KY 40225



Registre su electrodoméstico

ge.com

¡Registre su nuevo electrodoméstico en línea—cuando usted prefiera! El registrar su producto a tiempo le proporcionará, si surgiera la necesidad, una mejor comunicación y un servicio más rápido bajo los términos de su garantía. También puede enviar su tarjeta de registro pre-impresa que se incluye en el material de embalaje.