

# AEM25DM

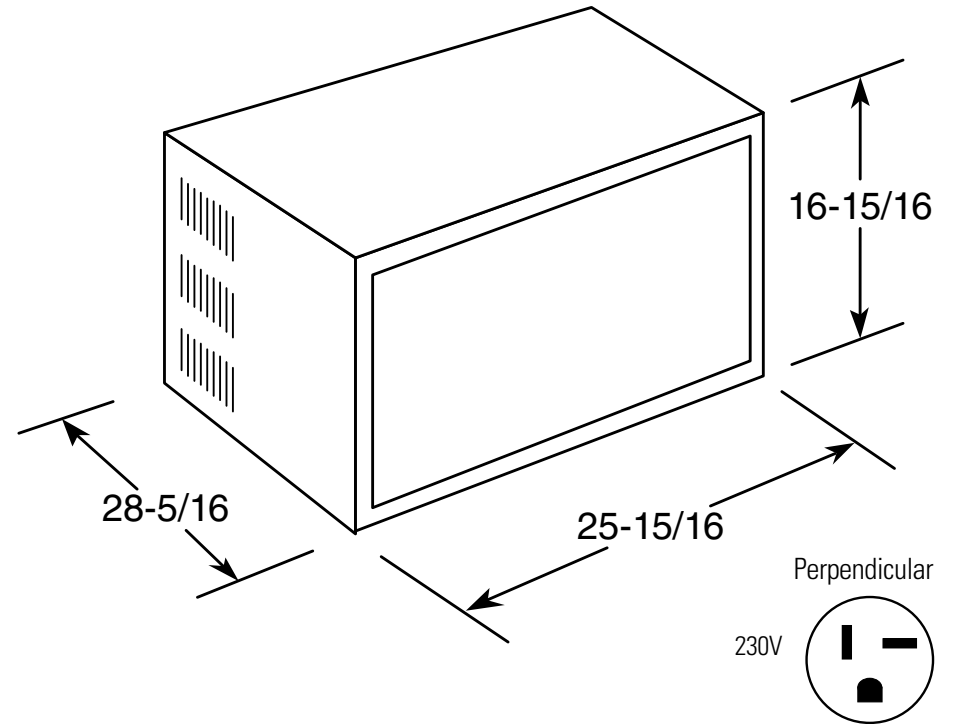
## GE® ENERGY STAR® Deluxe 230/208 Volt Electronic Room Air Conditioner

### Wall Case Dimensions and Installation Information (in inches)

**Note:** When installing slide-out chassis units in through-the-wall applications, keep louvers free. Do not restrict air flow areas. Fixed chassis units are not suitable for through-the-wall applications.

**Wall Outlets:** All wiring including installation of receptacle must be made in accordance with local electrical codes and regulations. Electrical outlet should be in reach of line cord.

**Note:** Aluminum wiring may pose special problems – consult a qualified electrician.



For answers to your Monogram®, GE Profile™ or GE® appliance questions, visit our website at [ge.com](http://ge.com) or call GE Answer Center® service, 800.626.2000.



Total volume and shelf area are calculated by the Association of Home Appliance Manufacturers' standards.



Listed by Underwriters Laboratories



As an ENERGY STAR® partner, GE has determined that this product meets the ENERGY STAR guidelines for energy efficiency.

# AEM25DM

## GE® ENERGY STAR® Deluxe 230/208 Volt Electronic Room Air Conditioner

### Features and Benefits

- ENERGY STAR® qualified
- 25,200/24,900 BTU, 9.4 E.E.R., 230/208 Volts
- Electronic Thermostat with Remote
- Auto Circulaire™
- Energy Saver Feature
- 24 hour on/off timer
- 3 Cooling / 3 Fan Only Speeds
- Power Interruption Restart
- Slide-Out Chassis
- EZ Mount Window Kit
- Model AEM25DM - Light Cool Grey

