

# AEE12DM

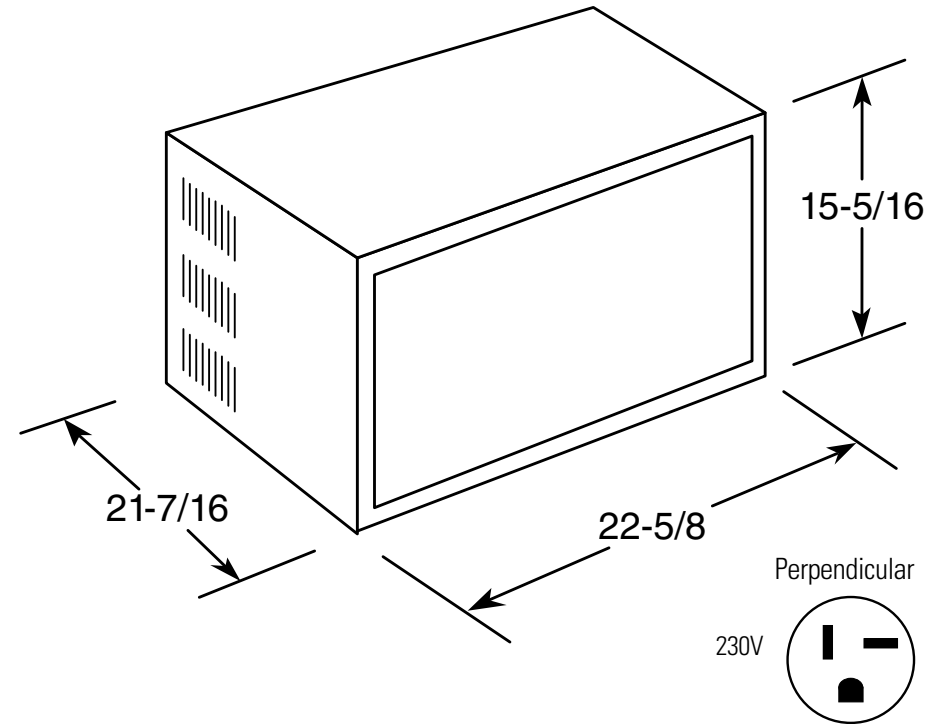
## GE® 230/208 Volt Heat/Cool Series Room Air Conditioner

### Wall Case Dimensions and Installation Information (in inches)

**Note:** When installing slide-out chassis units in through-the-wall applications, keep louvers free. Do not restrict air flow areas. Fixed chassis units are not suitable for through-the-wall applications.

**Wall Outlets:** All wiring including installation of receptacle must be made in accordance with local electrical codes and regulations. Electrical outlet should be in reach of line cord.

**Note:** Aluminum wiring may pose special problems – consult a qualified electrician.



For answers to your Monogram®, GE Profile™ or GE® appliance questions, visit our website at [ge.com](http://ge.com) or call GE Answer Center® service, 800.626.2000.



imagination at work



Total volume and shelf area are calculated by the Association of Home Appliance Manufacturers' standards.



Listed by Underwriters Laboratories

# AEE12DM

## GE® 230/208 Volt Heat/Cool Series Room Air Conditioner

### Features and Benefits

- 12,000/11,600 BTU, 9.8 E.E.R., 11,000/8,700 BTU Heat, 115 Volts
- Adjustable thermostat
- Multiple Cooling/Heating speeds
- 4-way adjustable air discharge
- Easy-access filter
- Slide-out chassis
- EZ Mount Window Kit
- Model AEE12DM - Light Cool Grey

