

AEE23DM

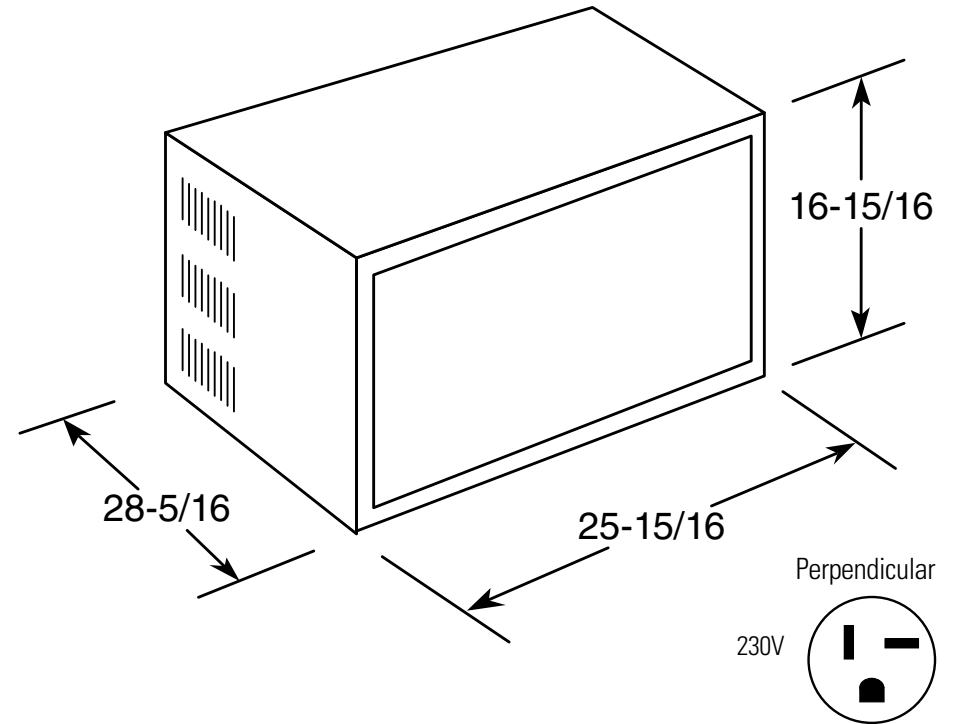
GE® 230/208 Volt Heat/Cool Series Room Air Conditioner

Wall Case Dimensions and Installation Information (in inches)

Note: When installing slide-out chassis units in through-the-wall applications, keep louvers free. Do not restrict air flow areas. Fixed chassis units are not suitable for through-the-wall applications.

Wall Outlets: All wiring including installation of receptacle must be made in accordance with local electrical codes and regulations. Electrical outlet should be in reach of line cord.

Note: Aluminum wiring may pose special problems – consult a qualified electrician.



For answers to your Monogram®, GE Profile™ or GE® appliance questions, visit our website at ge.com or call GE Answer Center® service, 800.626.2000.



imagination at work



Total volume and shelf area are calculated by the Association of Home Appliance Manufacturers' standards.



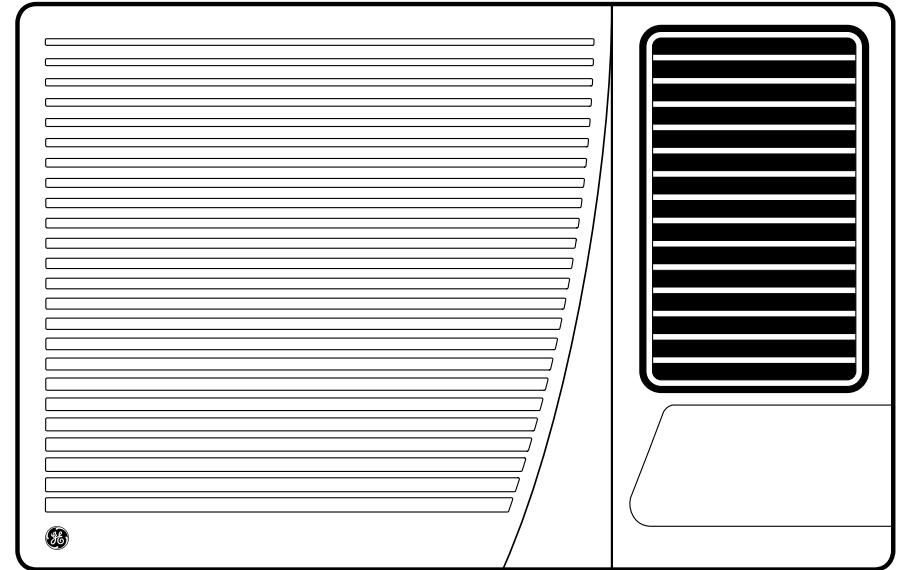
Listed by Underwriters Laboratories

AEE23DM

GE® 230/208 Volt Heat/Cool Series Room Air Conditioner

Features and Benefits

- 23,700/23,200 BTU, 8.5 E.E.R., 11,000/8,700 BTU Heat, 230/208 Volts
- Adjustable thermostat
- Auto Circulaire™
- Multiple Cooling/Heating speeds
- 4-way adjustable air discharge
- Easy-access filter
- Slide-out Chassis
- EZ Mount Window Kit
- Model AEE23DM - Light Cool Grey



imagination at work