

WPRE6100G

GE Profile™ 3.5 Cu. Ft. Capacity King-Size Washer with Stainless Steel Basket

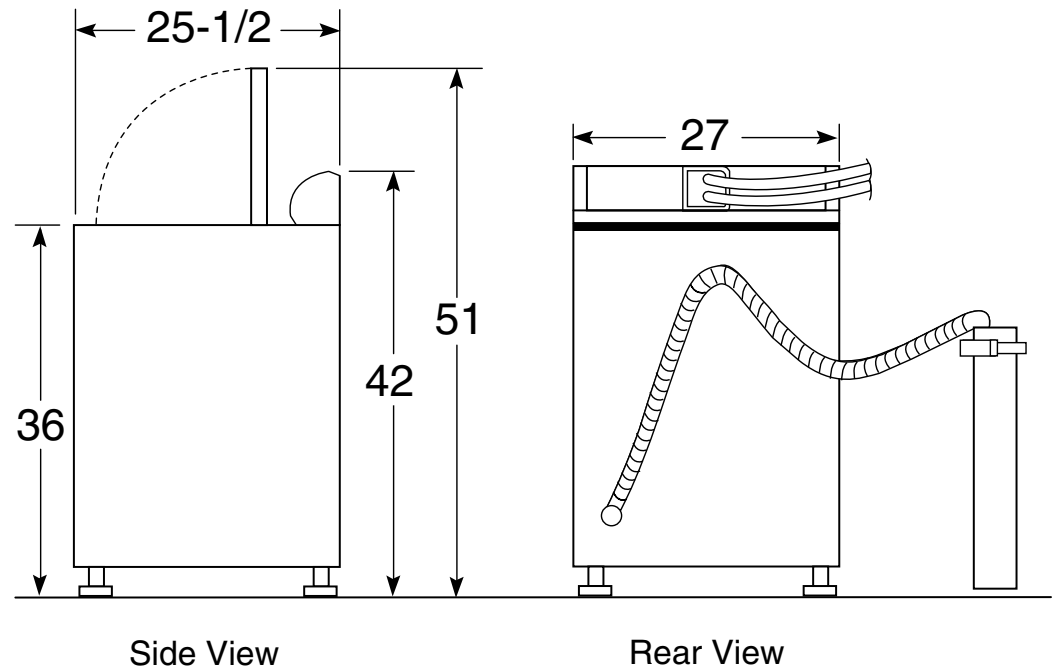
Dimensions and Installation Information (in inches)

Circuit Requirements: An individual, properly-grounded branch circuit, with a three-prong grounding-type receptacle, protected by a 15 or 20 amp circuit breaker or a time-delay fuse, is required.

Electrical Rating: 115V, 60Hz, 10A

Note: Washer wall outlet must be located within 36" of service code entry. Wall outlet must not be located behind dryer.

Installation Information: Before installing, consult installation instructions packed with product for current dimensional data.



For answers to your Monogram®, GE Profile™ or GE® appliance questions, visit our website at ge.com or call GE Answer Center® service, 800.626.2000.



imagination at work



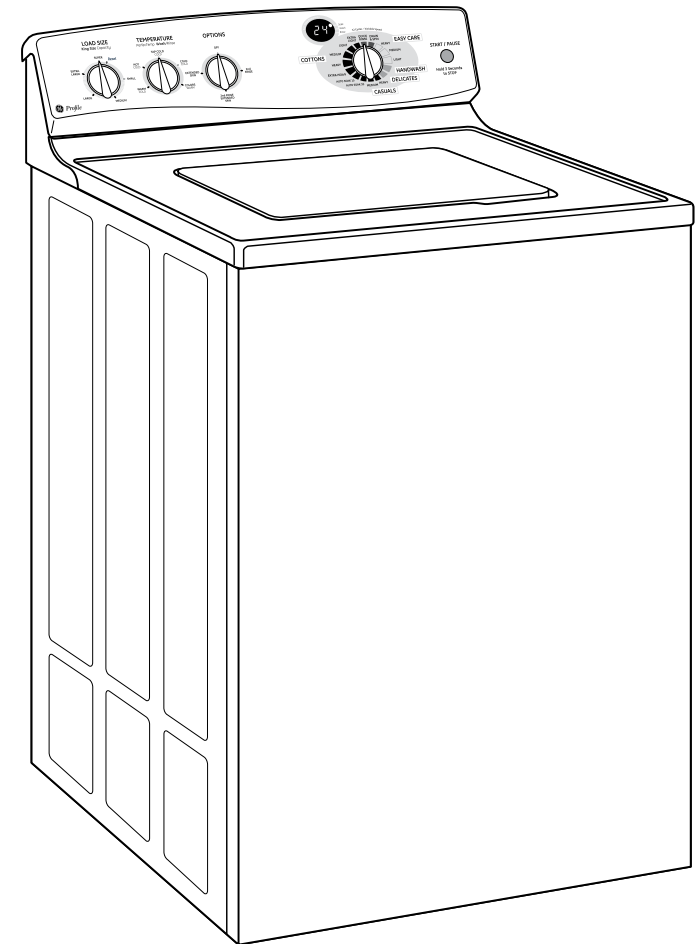
Listed by
Underwriters
Laboratories

WPRE6100G

GE Profile™ 3.5 Cu. Ft. Capacity King-Size Washer with Stainless Steel Basket

Features and Benefits

- King-size, 3.5-cu. ft. stainless steel basket makes room for more items, which means less time doing laundry
- Stainless Steel Basket - It resists rust and won't chip, peel or snag clothes
- HydroWave™ Wash System - Has variable speeds to match the wash action to the clothing type. Longer, slower travel through the water improves cleaning performance and is gentler on your clothes
- Multiple Wash/Spin Speeds - Matches wash action to fabric type for better cleaning and clothes care
- Multiple Wash Cycles - Delivers optimal cleaning results
- Five Wash/Rinse Temperatures - Offers a greater degree of control over cleaning and care
- Variable Water Levels - Give you the option of adjusting the water levels to match load size, reducing water usage
- 2nd Rinse Option - Helps protect delicate fabrics and sensitive skin
- Extended Spin - Longer spin means less time drying
- Rinse and Spin - A fast, convenient way to remove odors and residue from items like swimsuits and towels
- Model WPRE6100GWT – Titanium on white



imagination at work