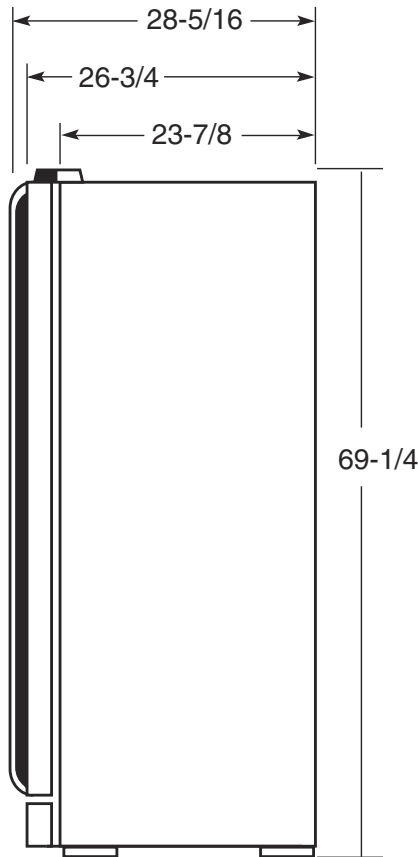




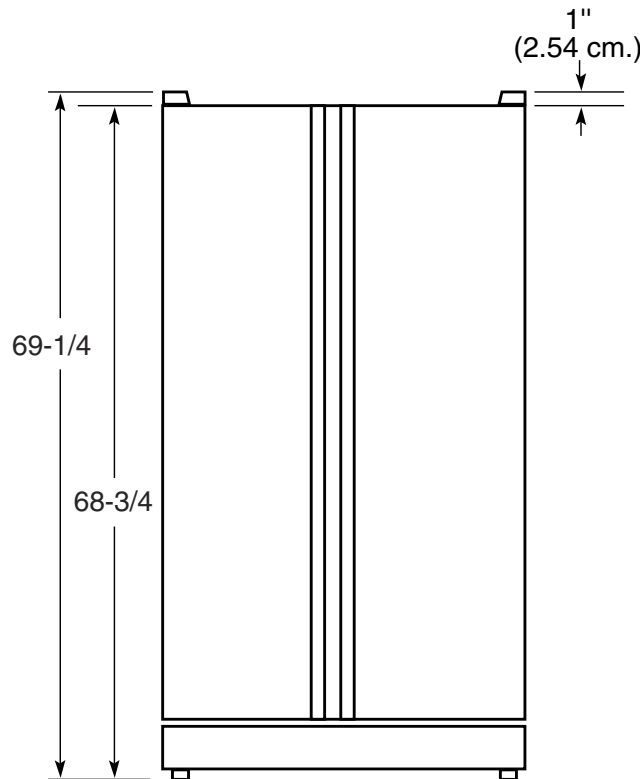
Profile™

## PSI23SCR – GE Profile CustomStyle™ 22.6 Cu. Ft. Side-by-Side Refrigerator with Icemaker

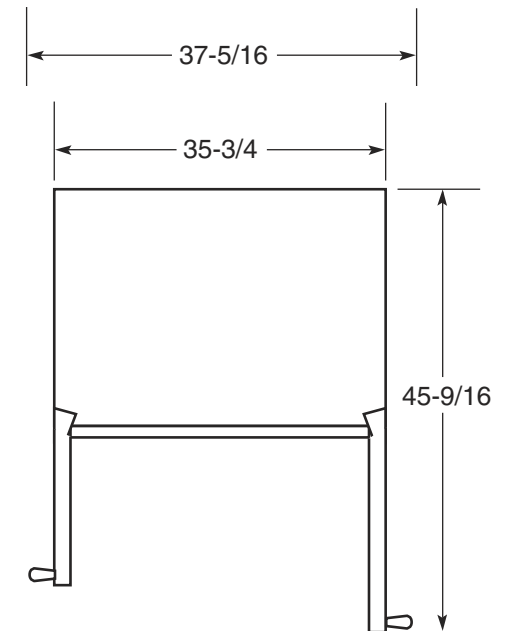
Case Dimensions (in inches/cm.)



Side View



Front View



Top View

Specification Revised 7/05  
210214



Total volume and shelf area are calculated by the Association of Home Appliance Manufacturers' standards.



Listed by Underwriters Laboratories



For answers to your Monogram®, GE Profile™ or GE® appliance questions, visit our website at [GEAppliances.com](http://GEAppliances.com) or call GE Answer Center® service, 800.626.2000.



Profile™

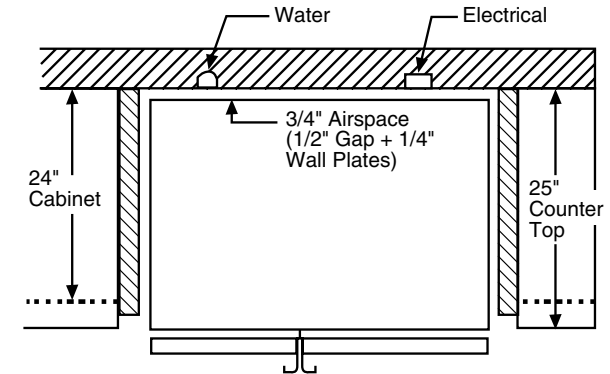
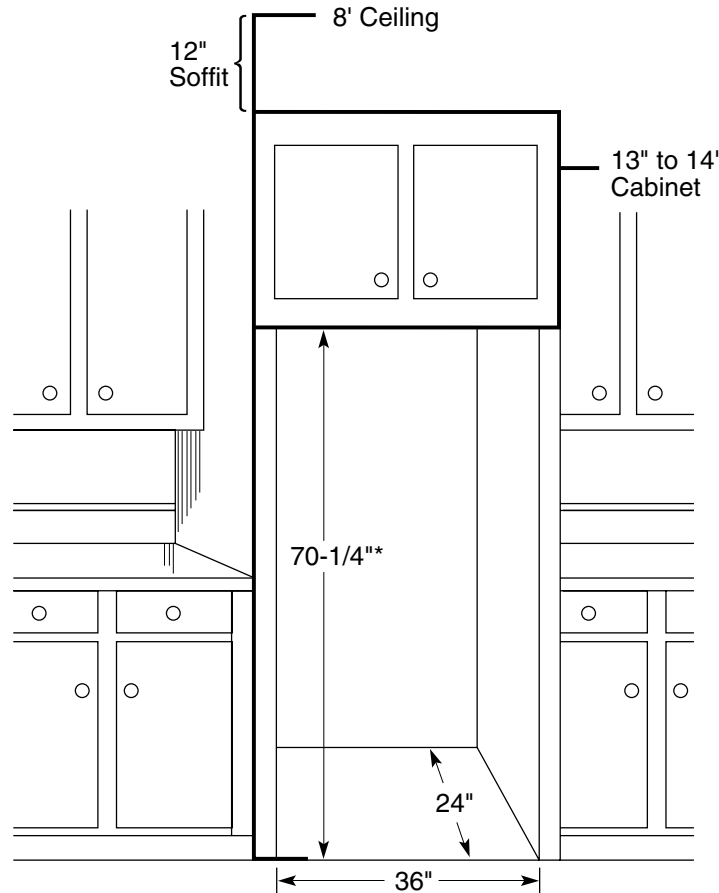
## PSI23SCR – GE Profile CustomStyle™ 22.6 Cu. Ft. Side-by-Side Refrigerator with Icemaker

### Rough-In Dimensions

#### Standard, New Construction and Replacement Installation

#### Installation Tips to Maximize the Built-In Look

- All wall/floor molding should be removed prior to installation.
- Water recess on rear wall recommended to prevent water line damage. 48" minimum length, 1/4" diameter water line tubing recommended.
- When possible, recess both copper water line and electrical outlet.  
(See local codes)
- Front and rear leveling legs are adjustable for the built-in look.  
(See owner's manual)
- If optional collar trim kit is to be used or anticipated, see collar trim installation on next page for different rough-in dimensions.



\*The rough-in dimension of 70-1/4" is minimum and is measured from the finished floor to top of opening (or the underside of the overhead cabinets). For Models with Trim Kit: If frameless style cabinets are planned for above the refrigerator, you may need to consider adding a maximum of 1/4" (70-1/2") to height of opening to allow additional clearance between cabinet doors and top of refrigerator trim when cabinet doors are in open position.



Total volume and shelf area are calculated by the Association of Home Appliance Manufacturers' standards.



Listed by Underwriters Laboratories



For answers to your Monogram®, GE Profile™ or GE® appliance questions, visit our website at [GEAppliances.com](http://GEAppliances.com) or call GE Answer Center® service, 800.626.2000.

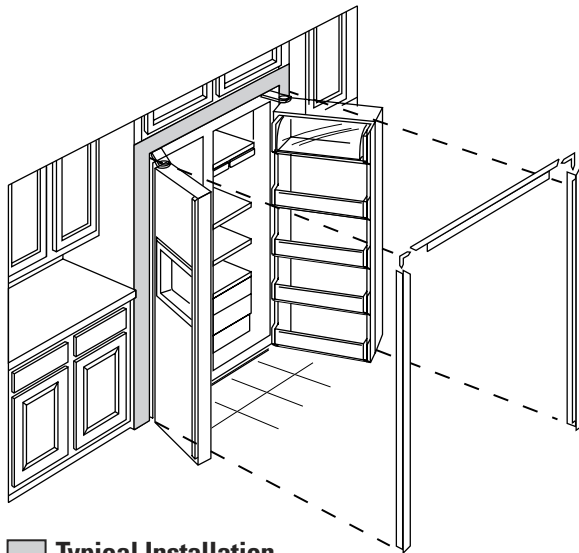


Profile™

## PSI23SCR – GE Profile CustomStyle™ 22.6 Cu. Ft. Side-by-Side Refrigerator with Icemaker

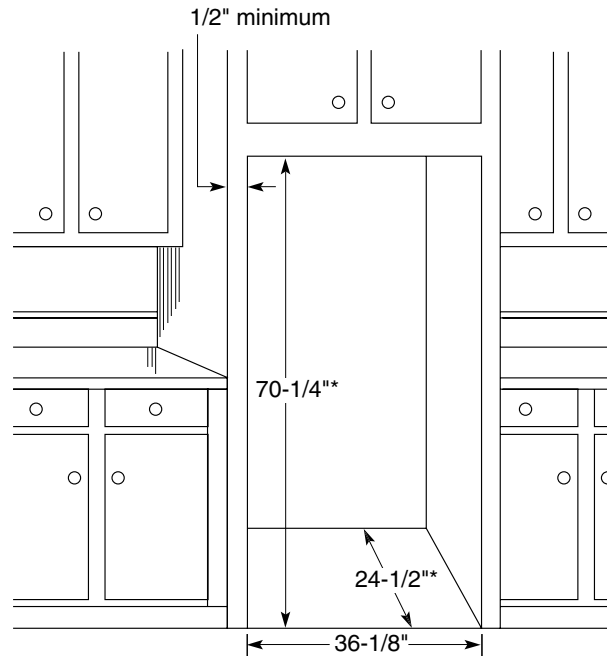
### Collar Trim Installation

An enclosure is **required** to match up to the trim, see Typical Installation. To obtain the most integrated look, the cabinet or soffit above the refrigerator should extend out to the same depth as the side panels. The refrigerator opening must have minimum dimensions of 70-1/4" high x 36-1/8" wide x 24-1/2" deep as shown at right. If there is an overhead cabinet, allow 1" for cabinet door clearance with the top trim piece so the cabinet doors can be opened without hitting the top trim. If 1/2" side panels are used, then side trim and panel will be even. If 3/4" side panels are used, then some of the side panel will extend beyond the trim and must be finished.

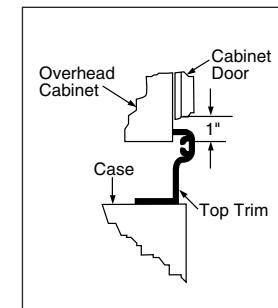
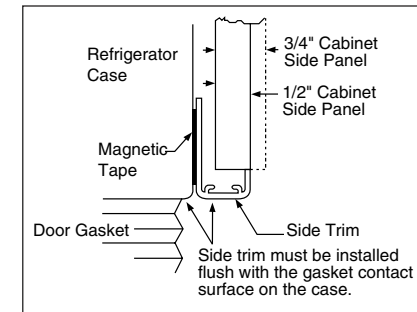


#### Typical Installation

Shaded areas represent front surfaces of side panels and overhead cabinet or soffit that contacts trim.



\*The rough-in dimension of 70-1/4" is minimum and is measured from the finished floor to top of opening (or the underside of the overhead cabinets). For Models with Trim Kit: If frameless style cabinets are planned for above the refrigerator, you may need to consider adding a maximum of 1/4" (70-1/2") to height of opening to allow additional clearance between cabinet doors and top of refrigerator trim when cabinet doors are in open position.



**IMPORTANT:** Before finalizing specifications for your GE Profile CustomStyle Refrigerator, please NOTE:

- A minimum of 36-1/8" is required for refrigerator installation with collar
- Be sure to allow for 1/2" or 3/4" side panels in addition to the 36-1/8" minimum



Total volume and shelf area are calculated by the Association of Home Appliance Manufacturers' standards.



Listed by Underwriters Laboratories

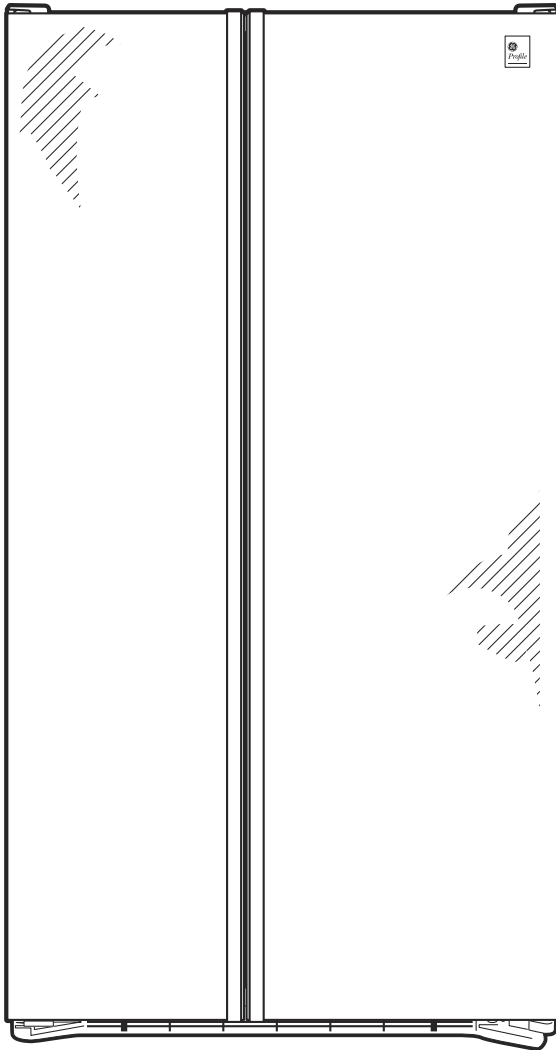


For answers to your Monogram®, GE Profile™ or GE® appliance questions, visit our website at [GEAppliances.com](http://GEAppliances.com) or call GE Answer Center® service, 800.626.2000.



*Profile™*

## PSI23SCR – GE Profile CustomStyle™ 22.6 Cu. Ft. Side-by-Side Refrigerator with Icemaker



### Features and Benefits

- CustomStyle™ Configuration – offers a built-in look without the built-in expense
- Stainless Steel – Conveys a look of utmost polish and sophistication
- CustomCool™ Technology With Full Extension Slides – Chills in minutes, thaws in hours and keeps foods fresher, longer
- ClimateKeeper™ system – Best temperature management system you can buy!
- Upfront Electronic Digital Display – Clearly displays exact temperatures for the fresh food and freezer compartments
- Integrated Shelf Support System – Provides strong, yet flexible support
- Integrated Ice™ System – Frees up valuable freezer space. It tilts down, providing easy access to bulk ice
- Slide 'n Store™ Full-Extension Freezer Basket – Extends 12" to 16" beyond the cabinet, providing easy access to contents
- Slide-Out, Spillproof Glass Shelves – Shelves slide out, and spills stay put
- Model PSI23SCRSV – Stainless steel