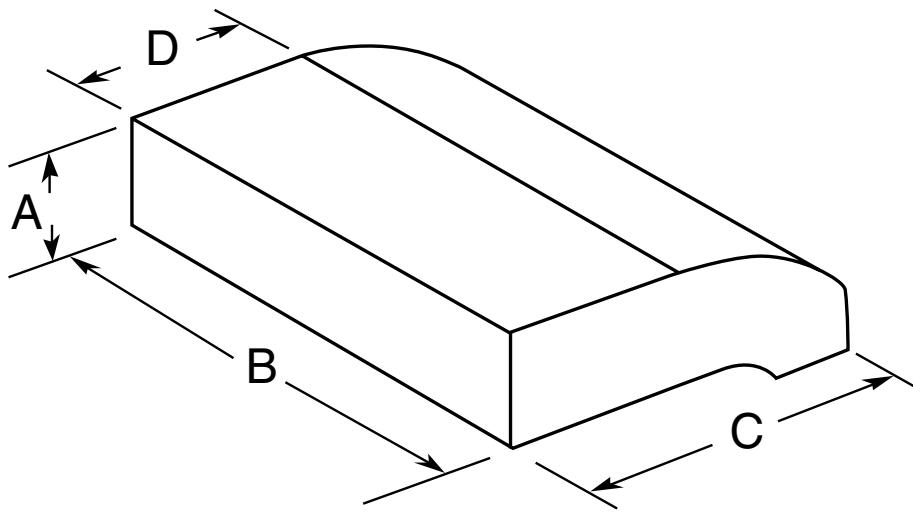




Profile™

## JV536H – GE Profile™ 30" Performance Range Hood

Dimensions (in inches)

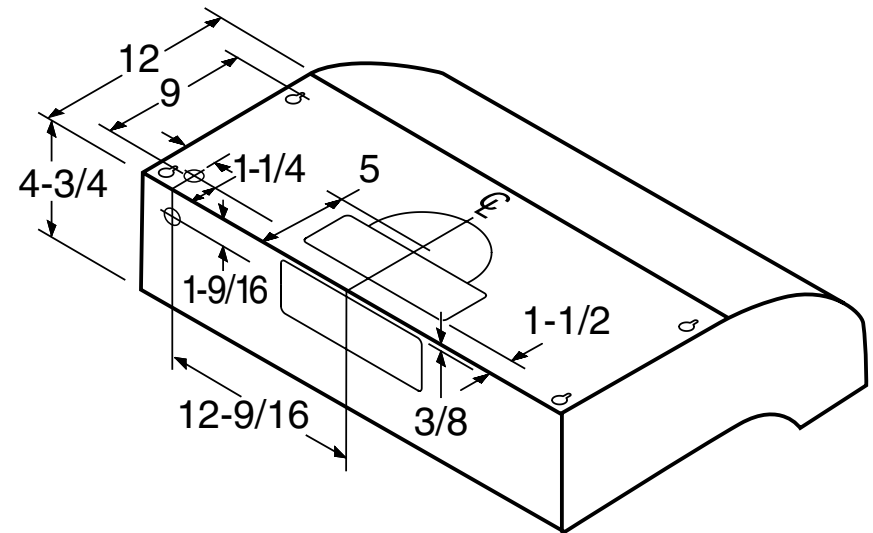


| Model | A     | B      | C  | D  |
|-------|-------|--------|----|----|
| JV536 | 4-3/4 | 29-7/8 | 20 | 12 |

| Amp Rating |     |
|------------|-----|
| 120V       | 1.4 |

**Installation Information:** Before installing, consult installation instructions packed with product for current dimensional data. Light bulb(s) not included.

Specification Revised 5/04  
220970



Exhaust outlet connects to 3-1/4" x 10" duct (vertically or horizontally) and 7" round (vertically). Includes rectangular damper and 7" round damper adapter.

Round damper accessory, JXDA22 available at additional cost.

**JXHC1 Cord Kit** – Allows a receptacle in the cabinet over the range to accommodate either an over-the-range microwave oven or a standard hood.

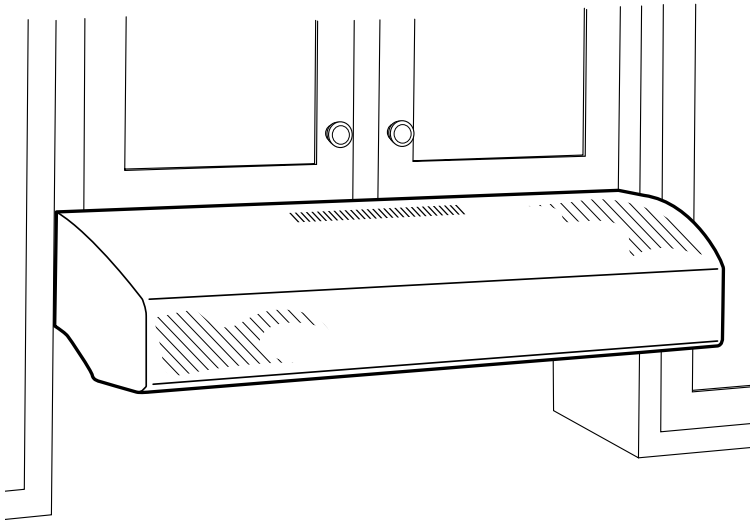


For answers to your Monogram®, GE Profile™ or GE® appliance questions, visit our website at [GEAppliances.com](http://GEAppliances.com) or call GE Answer Center® service, 800.626.2000.



*Profile™*

## JV536H – GE Profile™ 30" Performance Range Hood



### Features and Benefits

- Convertible venting – Hood configuration can be changed to fit the needs of various installation requirements.
- Vertical and rear exhaust – Provides the option of connecting duct work to either the rear or the top of the hood.
- Variable 2-speed fan control – Powerful variable speed exhaust system effectively pulls smoke and vapors out of the kitchen.
- Halogen light – Provides bright light that illuminates the cooking surface below hood.
- Removable grease filter – Durable filters can be removed for easy cleaning and maintenance.
- Round and rectangular ducting – Hood is designed to fit either standard round or rectangular duct work.
- Damper included.
- Model JV536HSS – Stainless Steel
- Model JV535HWW – White on white
- Model JV535HCC – Bisque on bisque
- Model JV535HBB – Black on black