

# JTP35SP

## GE® 30" Built-In Double Wall Oven

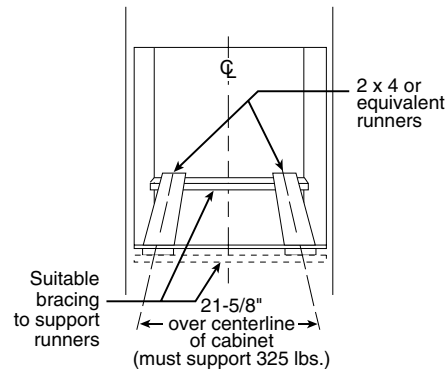
### Dimensions and Installation Information (in inches)

KW Rating	
240V	6.9
208V	5.2
Breaker Size	
240V	30 Amps
208V	30 Amps

**Note:** Cabinets installed adjacent to wall ovens must have an adhesion spec of at least a 194°F temperature rating. **Electric wall ovens are not approved for installation with a plug and receptacle. They must be hard wired in accordance with installation instructions.**

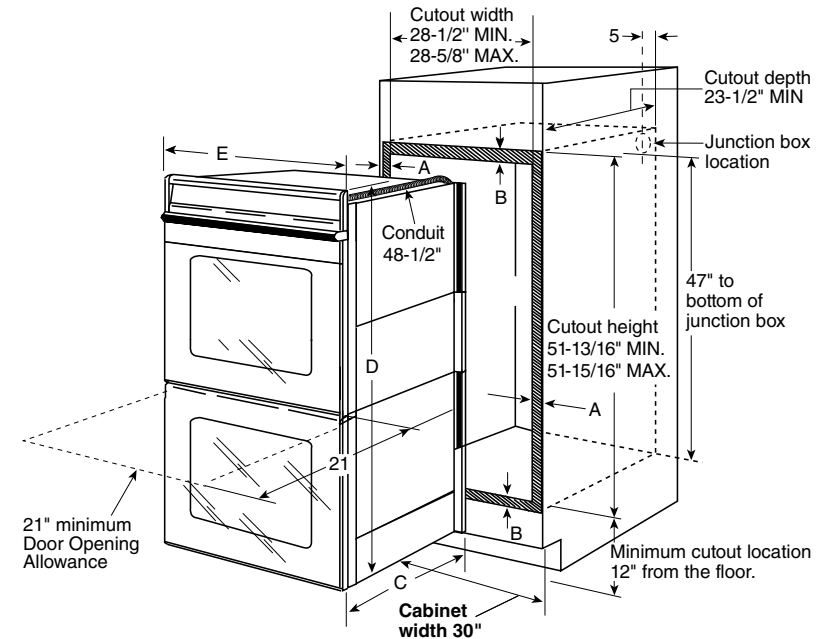
Door handle protrudes 3" from door face. Cabinets and drawers on adjacent 45° and 90° walls should be placed to avoid interference with the handle.

**Installation Information:** Before installing, consult installation instructions packed with product for current dimensional data.



Cabinet	30"
A – Overlap of oven over side of edges of cutout	11/16"-3/4"
B – Overlap of oven at top and bottom of cutout	1"
Oven	
C – Overall depth*	23-1/2"
D – Overall height with trim	53-3/8"
Overall height without trim	52-7/8"
E – Overall width	29-3/4"

\*Depth including door handle is approximately 26-6/10" min. to 26-9/10" max.



MOST 30" WALL CABINETS CAN BE USED WITH THIS UNIT.  
THE OPENING BETWEEN THE INSIDE WALLS MUST BE AT LEAST 28-1/2" WIDE.

For answers to your Monogram®, GE Profile™ or GE® appliance questions, visit our website at [ge.com](http://ge.com) or call GE Answer Center® service, 800.626.2000.



All GE ranges are equipped with an Anti-Tip device. The installation of this device is an important, required step in the installation of the range.



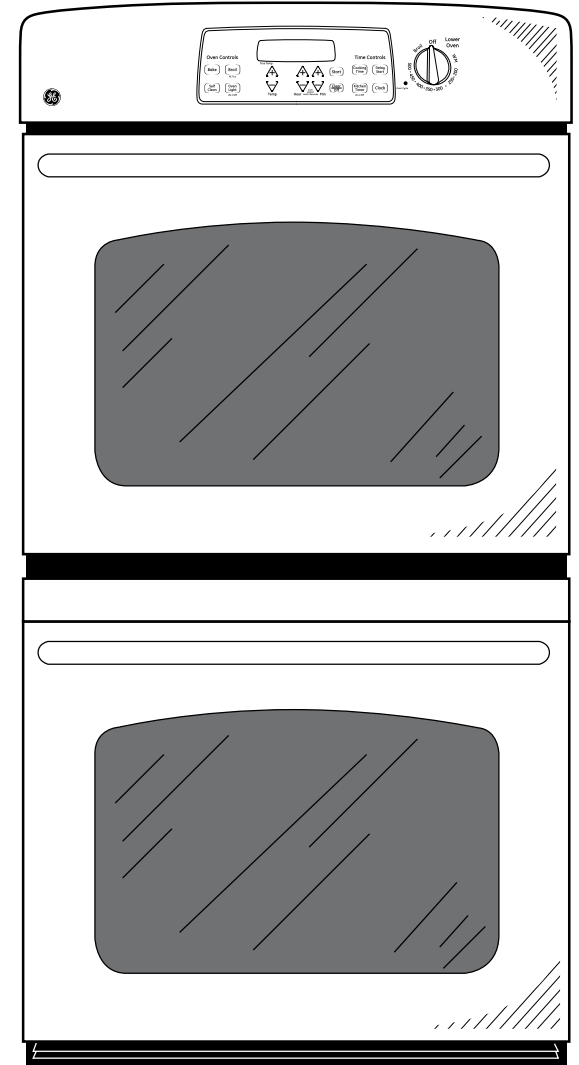
Listed by Underwriters Laboratories

# JTP35SP

## GE® 30" Built-In Double Wall Oven

### Features and Benefits

- Self-clean Oven (upper oven only) - Self-clean allows you to spare yourself from the trouble and effort it takes to scrub the oven interior. The oven does all the work!
- Super-large Oven Capacity - Remarkably large oven interior is ideal for holidays, dinner parties and everyday family cooking
- Electronic Oven Controls - Electronic pads on the control panel are easy to operate with just a touch
- TrueTemp™ Oven System (upper oven only) - Provides even heat distribution and precise oven control
- Eight-pass Bake Element - Interior heating element loops eight times to distribute heat quickly and evenly for optimal baking results
- 6-Pass Broil Element - Provides better and more even coverage of the food
- Hidden Bake Oven Interior - Conceals the lower oven bake element to eliminate hard-to-reach areas that collect food and spills for easy cleaning
- Two Oven Racks - Includes two oven racks that are sturdy and reliable
- Heavy-duty Oven Racks - Tough, durable racks include 50% thicker crossbars for extra strength
- Model JTP35SPSS - Stainless steel



imagination at work