

# JKP75BM/WM

## GE® 27" Built-In Convection/Thermal Wall Oven

### Dimensions and Installation Information (in inches)

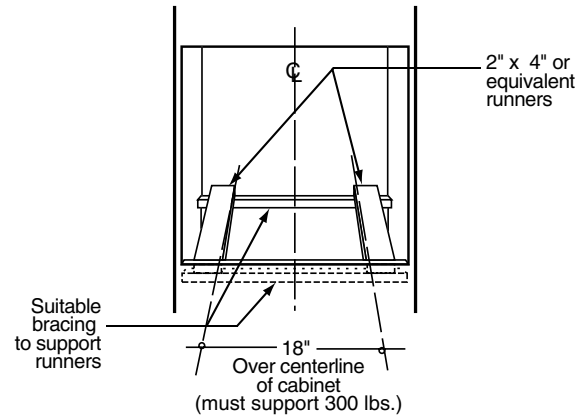
| KW Rating    |         |
|--------------|---------|
| 240V         | 6.8     |
| 208V         | 5.1     |
| Breaker Size |         |
| 240V         | 30 Amps |
| 208V         | 30 Amps |

**Note:** Cabinets installed adjacent to wall ovens must have an adhesion spec of at least a 194°F temperature rating.

**Note:** If marks, blemishes or the cutout opening is visible above the installed oven, it may be necessary to add wood shims under the runners and front trim until the marks or openings are covered.

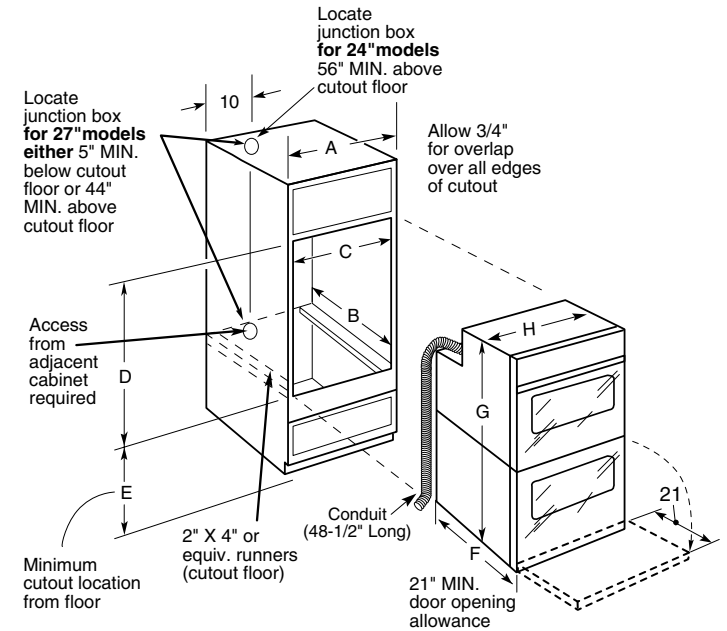
**Note:** Door handle protrudes 3" from door face. Cabinets and drawers on adjacent 45° and 90° walls should be placed to avoid interference with the handle.

**Electric wall ovens are not approved for installation with a plug and receptacle. They must be hard wired in accordance with installation instructions.**



| Cabinet  | 27"                    |
|--|------------------------|
| A - Cabinet width required                         | 27" min.               |
| B - Minimum cabinet depth                          | 23-5/8"                |
| C - Opening width                                  | 25" min. - 25-1/4" max |
| D - Opening height                                 | 50-1/8" max            |
| E - Recommended minimum cutout location from floor | 13-1/4"                |
| Oven   |                        |
| F - Overall depth*                                 | 23-5/8"                |
| G - Overall height with trim                       | 51-7/8" - 52-3/4"      |
| Overall height without trim                        | 51"                    |
| H - Overall width                                  | 26-5/8"                |

\*Depth including door handle is approximately 26-7/10" min. to 26-8/10" max.



For answers to your Monogram®, GE Profile™ or GE® appliance questions, visit our website at [ge.com](http://ge.com) or call GE Answer Center® service, 800.626.2000.



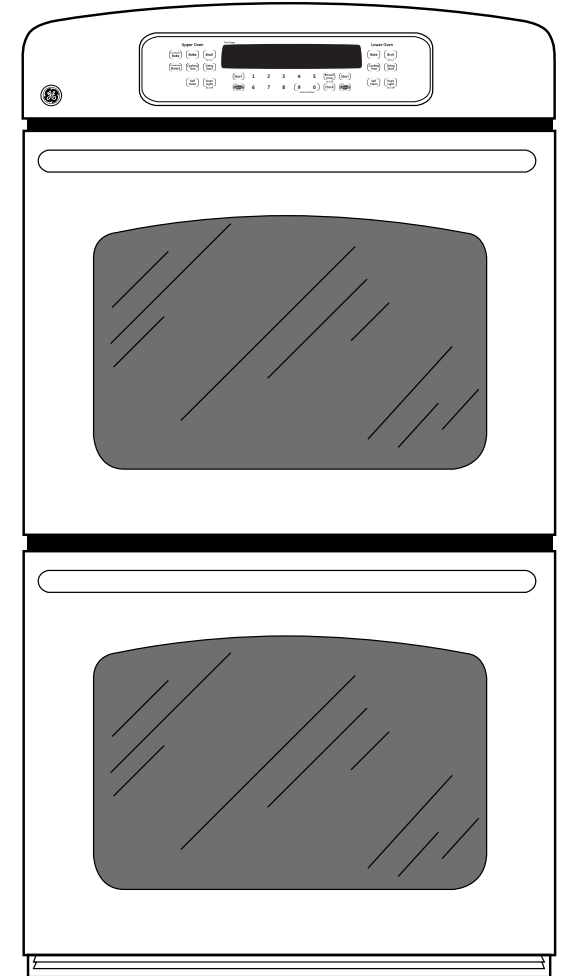
# JKP75BM/WM

## GE® 27" Built-In Convection/Thermal Wall Oven

### Features and Benefits

- PreciseAir™ Convection System - Delivers even air and heat circulation for superior baking and roasting results
- Flat Back Convection (Upper Oven Only) - Features a more streamline convection fan that better accommodates baking or roasting pans
- Convection Bake (Upper Oven Only) - Delivers ideal airflow throughout the oven cavity, ensuring better baking results
- Convection Roast (Upper Oven Only) - Delivers even cooking and consistent results, roasting meats up to 25% faster than a conventional oven
- Hidden Bake Oven Interior - Hides previously exposed bottom element to deliver a clean interior appearance
- Heavy-Duty Oven Racks - Provides extra support
- Self Clean Oven - Conveniently cleans the oven cavity without need of scrubbing
- Interior Oven Light - Supplies light to make viewing the progress of cooking easy and convenient
- Extra-Large Oven Capacity - Provides a large oven interior ideal for cooking more items at once
- TrueTemp™ System - Delivers even heat distribution and maximum oven control
- Model JKP75BMBB - Black on black
- Model JKP75WMWW - White on white

For answers to your Monogram,® GE Profile™ or GE® appliance questions, visit our website at [ge.com](http://ge.com) or call GE Answer Center® service, 800.626.2000.



imagination at work



Listed by  
Underwriters  
Laboratories



Specification Created 9/06

320362