

# PSB2201N

## GE Profile Advantium® Wall Oven

### Dimensions and Installation Information (in inches)

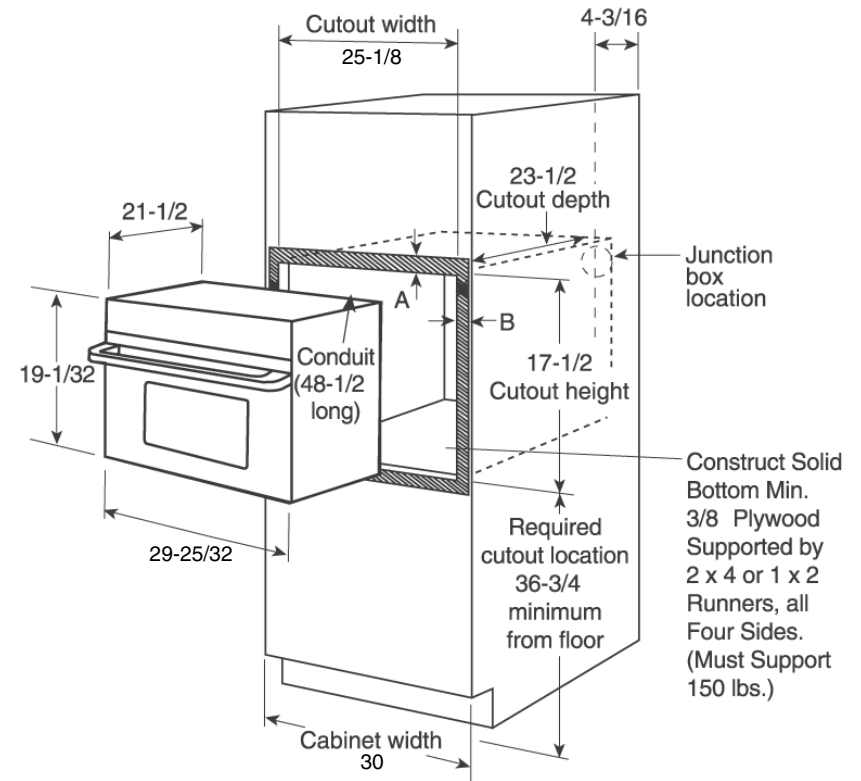
<b>A</b>	Allow 1" overlap of oven over top and bottom edges of cutout
<b>B</b>	Allow 11/16"-3/4" for overlap of oven over side edges of cutout

**Note:** Cabinets installed adjacent to wall ovens must have an adhesion spec of at least a 194°F temperature rating.

**Most 30" Wall Cabinets can be used with this unit.**

**Note:** 2" minimum between cutouts when installed above warming drawer or single wall oven.

**Installation Information:** Before installing, consult installation instructions packed with product for current dimensional data.



A=Allow 1" overlap of oven over top and bottom edges of cutout.  
B=Allow 11/16"-3/4" for overlap of oven over side edges of cutout.

For answers to your Monogram®, GE Profile™ or GE® appliance questions, visit our website at [ge.com](http://ge.com) or call GE Answer Center® service, 800.626.2000.



# PSB2201N

## GE Profile Advantium® Wall Oven

### Dimensions and Installation Information (in inches)

Order a 30" wide single oven cabinet or cut the opening in a wall to dimensions shown.

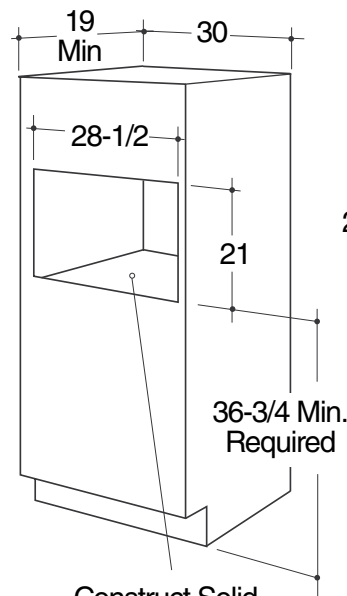
**Note:** The rough opening must be:

- Depth – 19" Min.
- Width – 28-1/2" Min.
- Height – 21" Min.
- 36-3/4" from the floor to the cutout is required.
- These ovens require 3/4" overlap on each side, top and bottom of the cutout.
- Oven overlaps will conceal cut edges on all sides of the opening.

**Note:** For installation above a warming drawer additional clearance between the two cutouts may be required. Check to be sure the oven supports above the Warming Drawer location do not obstruct the required interior 23-1/2" depth and 9-1/4" height.

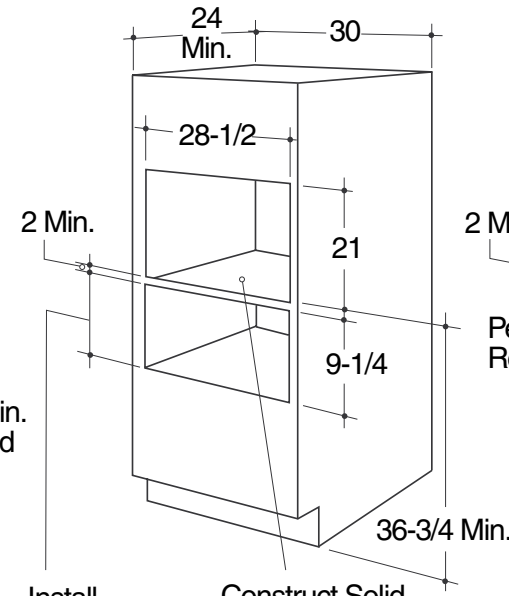
**Installation Information:** Before installing, consult installation instructions packed with product for current dimensional data.

### Single Speedcook Installation



Construct Solid Bottom Min. 3/8" Plywood Supported by 2 x 4 or 1 x 2 Runners, all Four Sides

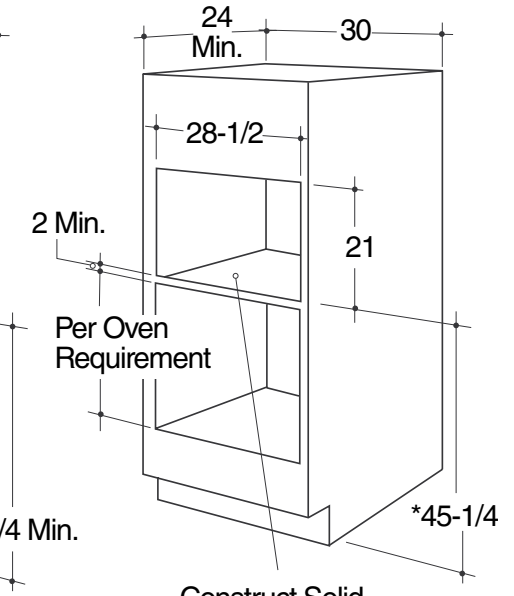
### Speedcook Oven Installation above a GE Warming Drawer



Install 2 x 4 or 2 x 2 Runners or Solid Bottom, Must Support 100 lbs.

Construct Solid Bottom Min. 3/8" Plywood Supported by 2 x 4 or 1 x 2 Runners, all Four Sides

### Speedcook Oven Installation above a single GE Built-In Wall Oven



Construct Solid Bottom Min. 3/8" Plywood Supported by 2 x 4 or 1 x 2 Runners, all Four Sides

For answers to your Monogram®, GE Profile™ or GE® appliance questions, visit our website at [ge.com](http://ge.com) or call GE Answer Center® service, 800.626.2000.

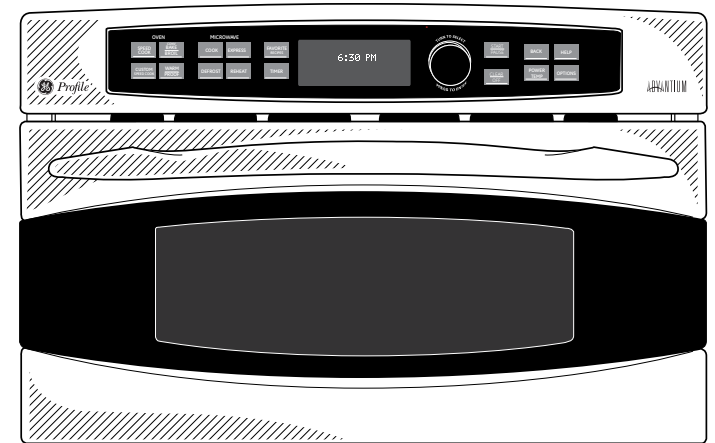


# PSB2201N

## GE Profile Advantium® Wall Oven

### Features and Benefits

- Speedcook technology - cooks up to 8 times faster than a conventional oven
- 4 ovens in 1 to meet your cooking needs: Speedcook, True European Convection, Warming/Proofing, Sensor Microwave
- Optimizes cook time for consistent results
- Saves valuable time by eliminating preheating
- 16" turntable allows complete rotations of a 9" x 13" casserole dish
- Over 175 preprogrammed recipes
- Full-width oven rack for multi-level cooking
- Includes speedcooking grill tray for preparing meats
- Model PSB2201NSS – Stainless steel



imagination at work