

JP655TM/BM

GE® 36" Built-In CleanDesign Electric Cooktop

Dimensions and Installation Information (in inches)

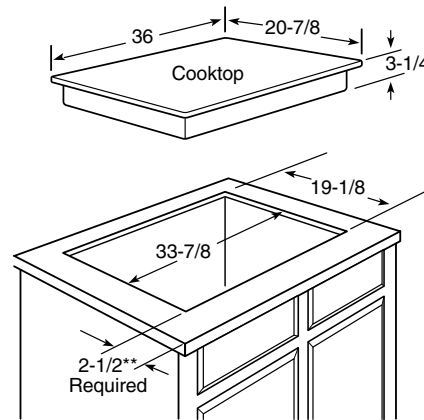
KW Rating	
240V	8.4
208V	6.3
Breaker Size	
240V	40 Amps†
208V	40 Amps†

†**Note:** Check local codes for required breaker size

Important: Requires a 5" free area between the bottom of the cooktop to any combustible material, i.e., shelving. Free area not required when installing wall oven underneath cooktop. Refer to installation instructions. Requires a 15" minimum from cooktop to adjacent overhead cabinets. Units are furnished with a 48" flexible armored cable.

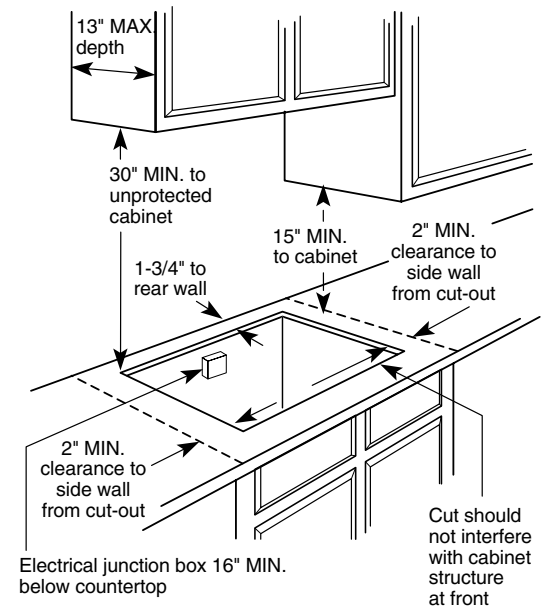
Note: 36" Ribbon cooktops are approved for use over GE 30" Single Wall Ovens and Warming Drawers only. Refer to cooktop and wall oven/warming drawer installation instructions packed with product for current dimensional data. If installed with a GE Profile™ Telescopic Downdraft System, consult both the cooktop and downdraft installation instructions packed with product before installing. Cooktop gas/electric supply may need to be re-routed to install downdraft. The countertop must be at least 26" deep with a flat surface area of 23-1/2" or more, front to back. In addition, other clearances to the front edge of the countertop must be considered, especially on raised bullnose countertops. Consult cabinet and countertop manufacturer's specs for flush mount installation prior to install.

Installation Information: Before installing, consult installation instructions packed with product for current dimensional data.



*Depth of unit at conduit connection location (rear) is 6-1/2" on models PP980/950 and 4-5/8" on models PP975/972/962/945/942/932/912, JP655/356/346.

**Raised bull nose countertops may require up to 3/8" additional clearance to prevent interference with curved front.



For answers to your Monogram®, GE Profile™ or GE® appliance questions, visit our website at ge.com or call GE Answer Center® service, 800.626.2000.



imagination at work



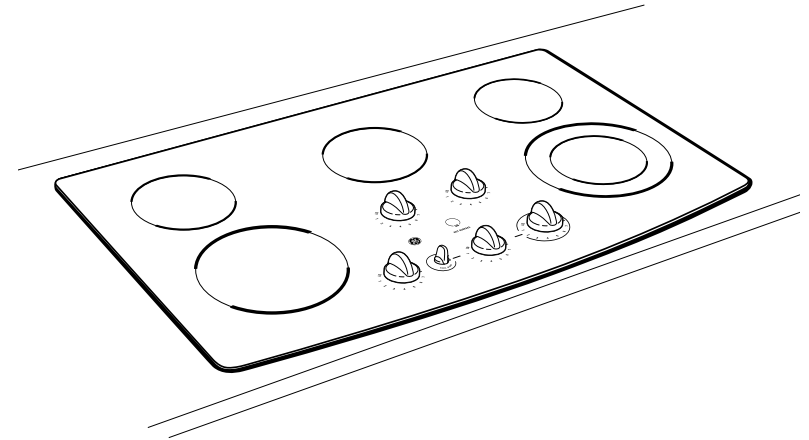
Listed by
Underwriters
Laboratories

JP655TM/BM

GE® 36" Built-In CleanDesign Electric Cooktop

Features and Benefits

- Ceramic Glass Cooktop - A smooth cooktop surface makes cleaning quick and easy
- Ribbon Heating Elements - Provide powerful heat beneath a smooth glass surface to ensure even heat and fast warm-up times
- Dual Size Ribbon Element - Offers a convenient choice of using a 6" or 9" heating element, depending on the size of the pan
- Frameless Design - A smooth and seamless cooktop surface makes cleaning quick and easy
- Hot Surface Indicator Lights - Illuminate when the cooking surface is active and hot, adding convenience and safe caution
- Heating Element "On" Light - Illuminates when the cooking surface is activated
- Dishwasher-Safe Knobs - Feature a robust construction for safe and easy cleaning
- Melt Setting - Optimized for melting chocolate, this setting delivers the low gentle heat needed
- Simmer Setting - Ideal for making delicate sauces or melting butter, and ensures a food-safe temperature of at least 140°F
- Model JP655TMWW - True white
- Model JP655BMBB - Black on black



imagination at work