

Dishwasher



BOSCH

Instructions for use

9000 373 507

Congratulations, and Thank You from Bosch!

Thank you for selecting a Bosch dishwasher. You have joined the many consumers who demand quiet and superior performance from their dishwashers.

This manual was written with your safety and convenience in mind, and the information contained herein is very important. We highly recommend that you read this manual before you use your dishwasher for the first time.

To learn even more about your dishwasher and available accessories, as well as many other topquality Bosch appliances, visit our website at www.bosch-appliances.com.

Please contact us if you have any questions or comments. You can call us at 1-800-944-2904, or you can write us at

BSH Home Appliances, Corp.
5551 McFadden Avenue
Huntington Beach, CA 92649

IMPORTANT SAFETY INSTRUCTIONS	3
Getting to know your appliance	4
Dishwasher Components	5
Dishwasher Setup	6
Salt	7
Adding Detergent.....	7
Rinse Agent.....	8
Dishware Materials	10
Loading the Dishwasher	11-12
Rack Accessories	13
Wash Cycle Information	14
Additional Options and Features	15-16
Operating the Dishwasher	17-18
Care and Maintenance	18-19
Self Help	20-21
Customer Service	22
Statement of Warranties	23

Safety Instructions - Please READ and Save This Information



NOTICE

Never use steam cleaning products to clean your dishwasher. The manufacturer will not be liable for possible damages or consequences.

Never use harsh chemicals to clean your dishwasher. Some chloride-containing cleaning products can damage your dishwasher and may present health hazards!

It is highly recommended for the end use consumer to become familiar with the procedure to shut off the incoming water supply and the procedure to shut off the incoming power supply. See the Installation Instructions or speak with your installer for more information.

WARNING

Misuse of the dishwasher can result in serious injury or death. Do not use the dishwasher in any way not covered in this manual or for any purpose other than those explained on the following pages.

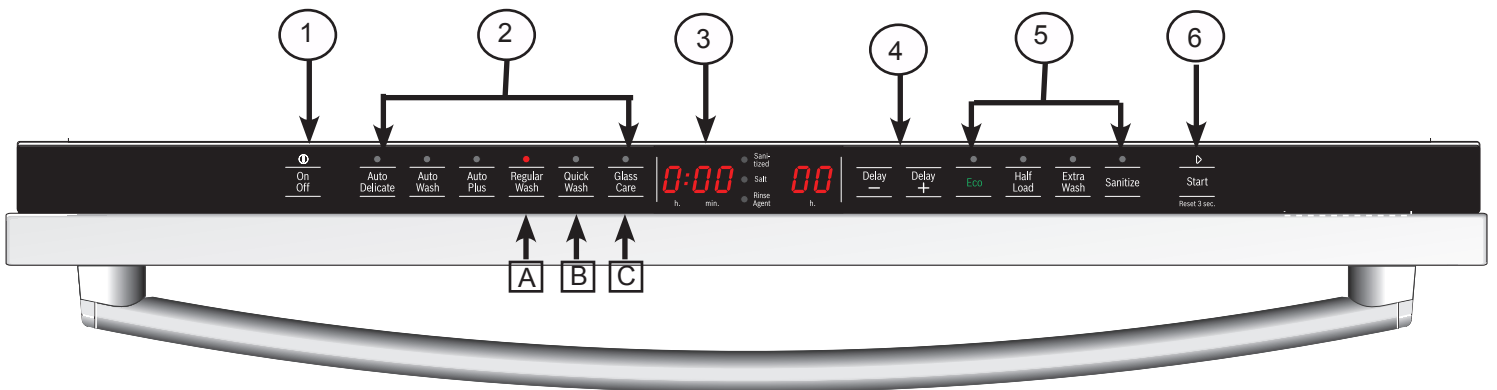
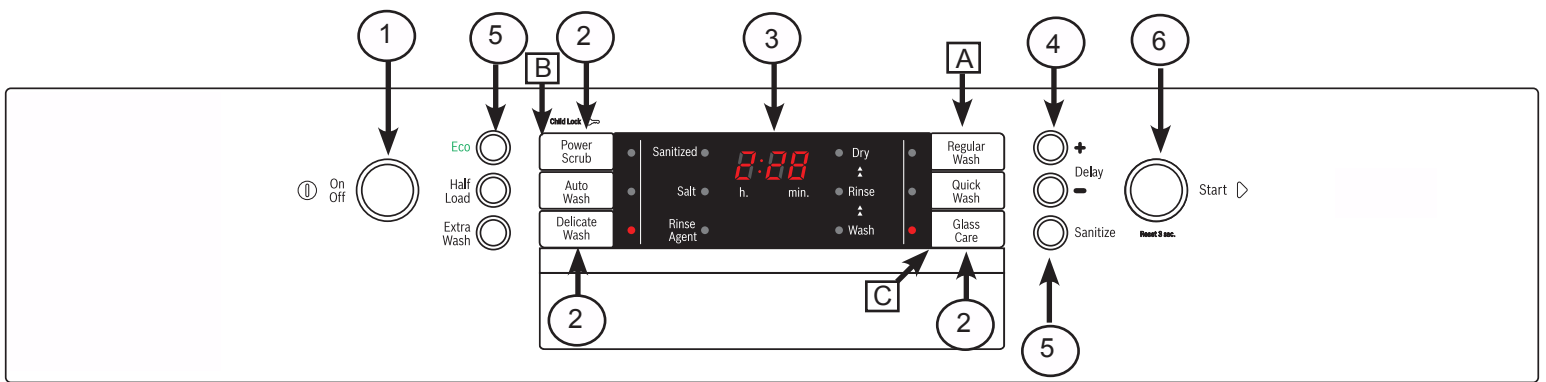
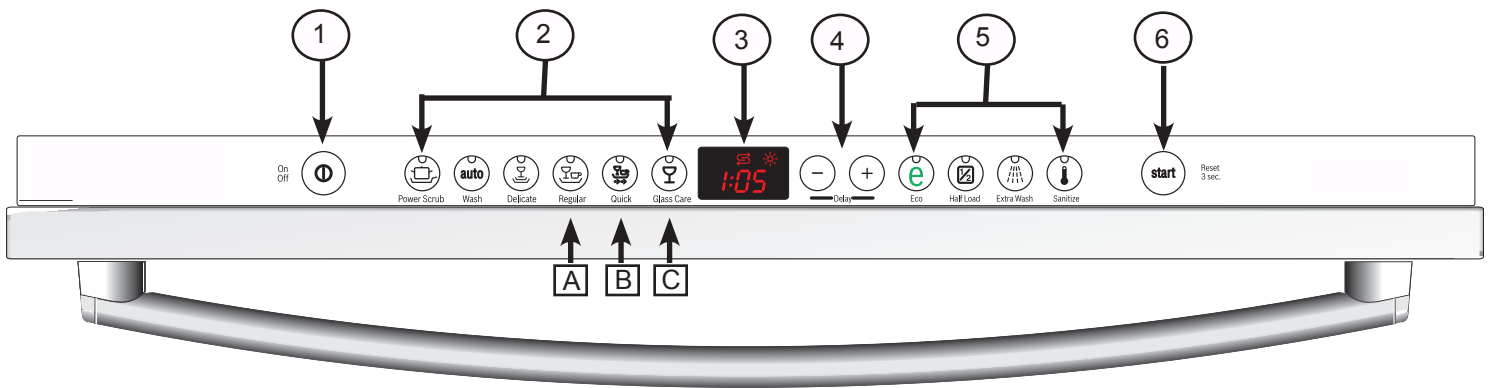
Severe product damage and/or injury could result from the use of unqualified service technicians or non-original replacement parts. All repairs must be performed by a qualified service technician using only original equipment factory replacement parts.

Electrical shock or fire could result if the electrical supply for the dishwasher covered in this manual is incorrectly installed or if the dishwasher has been improperly grounded. Do not use the dishwasher covered in this manual if you are not certain the electrical supply has been correctly installed or the dishwasher has been properly grounded.

Warning: To reduce the risk of fire, electrical shock, or serious injury, observe the following:

- This appliance must be grounded to a metal, permanent wiring system, or an equipment grounding conductor must be run with the circuit conductors and connected to the equipment grounding terminal or lead on the dishwasher. See the **Installation Instructions** included with this dishwasher for more information on electrical requirements.
- Use this dishwasher only for its intended function, which is the washing of household dishware and kitchenware.
- This dishwasher is provided with **Installation Instructions** and this **Use and Care Manual**. Please read and understand all instructions before using the dishwasher.
- Use only detergents or rinsing agents recommended for use in a dishwasher, and keep them out of the reach of children.
- When loading items to be washed:
 - Locate sharp items so that they are not likely to damage the door seal.
 - Load knives and other sharp utensils with their HANDLES UP to reduce the risk of cut-type injuries.
- Do not wash plastic items unless they are marked "dishwasher safe" or the equivalent. For plastic items not so marked, check the manufacturer's recommendations.
- Do not operate your dishwasher unless all enclosure panels are in place.
- Do not tamper with or override controls and interlocks.
- Do not abuse, sit on, or stand on the door or dish racks of the dishwasher.
- To reduce the risk of injury, do not allow children to play in or on the dishwasher.
- When children become old enough to operate the appliance, it is the legal responsibility of the parents or legal guardians to ensure that they are instructed in safe practices by qualified persons.
- Under certain conditions, hydrogen gas may be produced in a hot water system that has not been used for two weeks or more. Hydrogen gas is explosive. Before using a dishwasher that is connected to a hot water system that has been unused for two weeks or longer, turn on all hot water faucets and let the water flow from each for several minutes. This will release any accumulated hydrogen gas. As the gas is explosive, do not smoke or use an open flame during this time.
- Remove the door to the washing compartment when removing an old dishwasher from service or discarding.
- To avoid floor damage and possible mold growth, do not allow wet areas to remain around or under the dishwasher.
- Protect your dishwasher from the elements. Protect against freezing to avoid possible damage to the fill valve. Damage caused by freezing is not covered by the warranty.

Getting to know your Appliance



1 - On/Off Button

2 - Wash Cycles

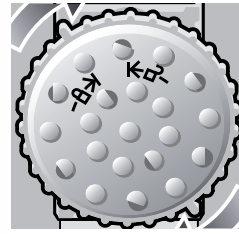
3 - Digital Display

4 - Delay Start

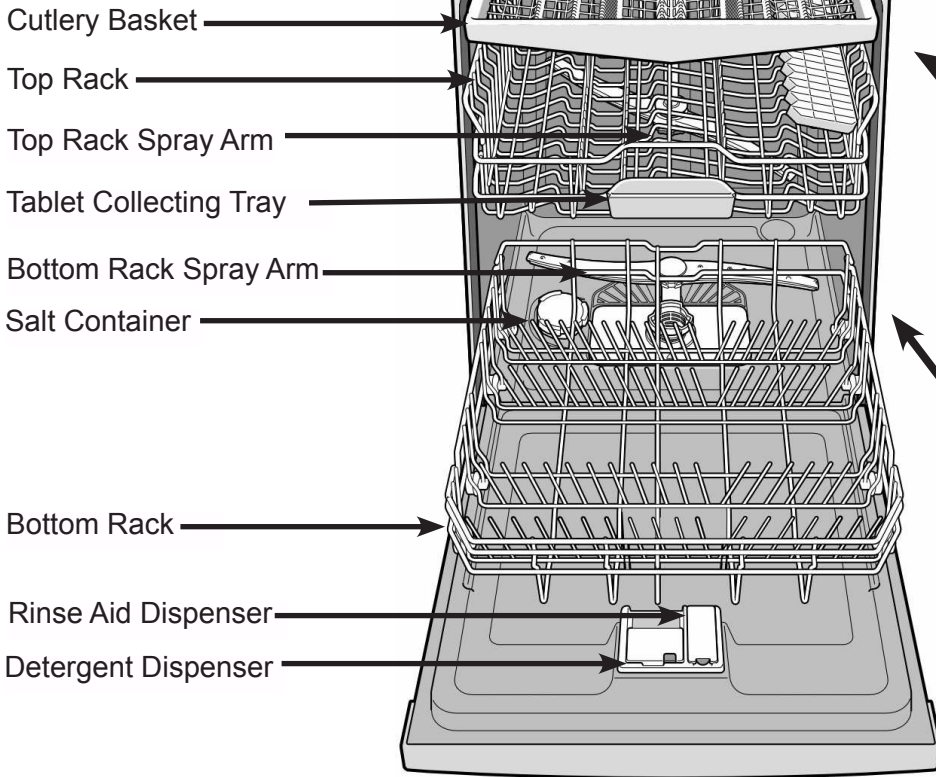
5 - Additional cycle options

6 - Start Button

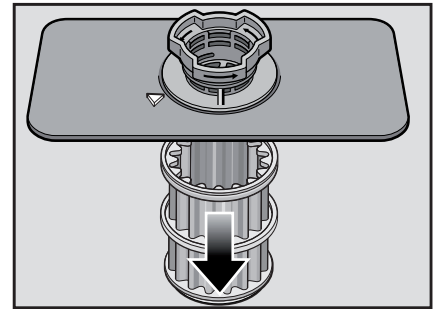
Dishwasher Components



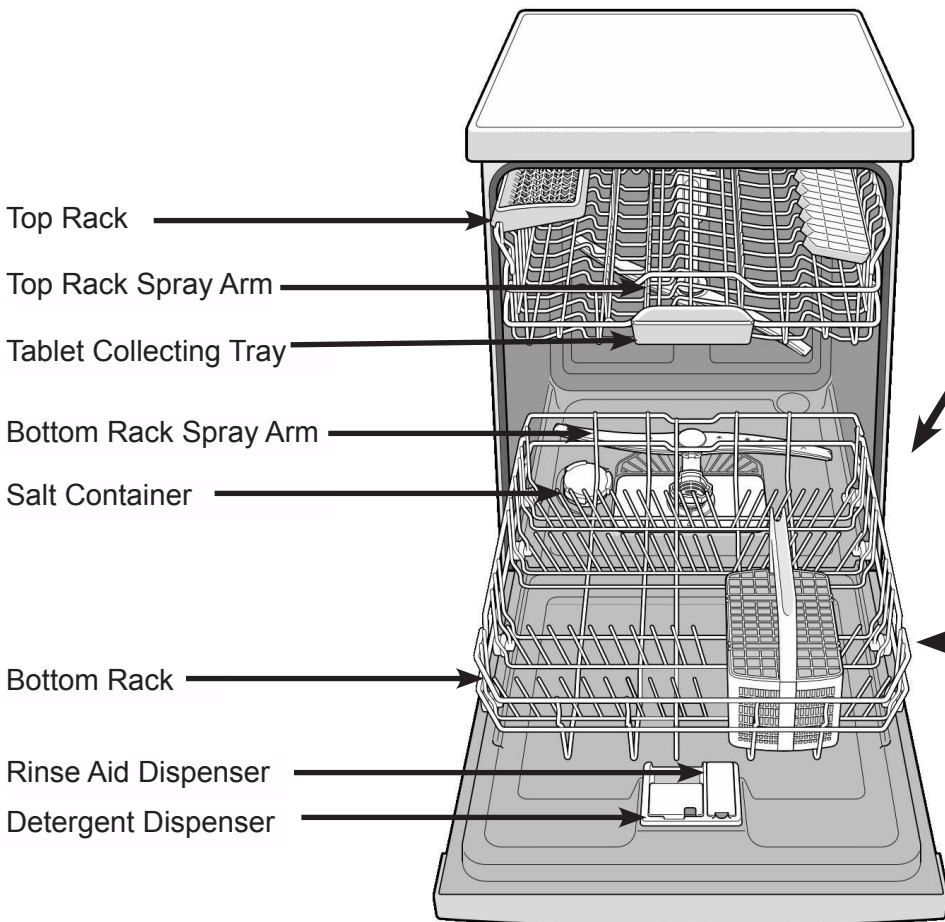
Extra Tall Item Sprinkler (select models)



WITH CUTLERY RACK



Filter System



WITH SILVERWARE BASKET

Dishwasher setup

Water softening system

The dishwasher requires soft water to ensure proper washing results. Your appliance is equipped with an internal water softening system. However, if you have a household water softening system, you will not need to use this softening system.

The required amount of salt depends on the degree of hardness of your tap water (See table for more information).

For the water softening system to function properly, it will need to use dishwasher water softener salt. The amount of salt dispensed can be set from "H:00" to "H:07". Salt is not required at H:00 (this is the default factory setting).

- Open the door (for hidden controls only).
- Turn the unit on using the **ON/OFF** button.
- Hold down the "A" button and press **START** button until the display indicates "H:00".
- Release both buttons.
- Press "B" to select the desired setting.

tap water hardness ppm CaCO ³ /l	set value at dishwasher	use salt
0 - 110	H:00	no
120 - 140	H:01	yes
150 - 180	H:02	yes
190 - 210	H:03	yes
220 - 290	H:04	yes
300 - 370	H:05	yes
380 - 540	H:06	yes
550 - 890	H:07	yes


Default setting from factory is H:00


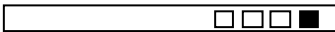



To change the setting,

- Press "C" button to select desired setting.
- Save the selected language by pressing the **START** button.
- Close the door (for hidden controls only).

NOTE: For information on how to use the water hardness test strip, provided in the detergent sample kit, please see below.

Using a water hardness test strip

	Kurz eintauchen (1 sec), leicht abschütteln und nach 1 min ablesen. 4 grün/green/vert 1 rot/red/rouge 2 rot/red/rouge 3 rot/red/rouge 4 rot/red/rouge	Dip briefly (1 sec), shake off excess water and compare after 1 min.	Plongez brièvement (1 sec), égouttez l'excès d'eau et comparez après 1 min. <3°dH/ <3.75°e/ <5.4°f >4°dH/ >5°e/ >7.2°f >8,4°dH/ >10,5°e/>15,1°f >14°dH/ >17,5°e/>25,2°f >21°dH/>26,25°e/>37,8°f	AQUADUR® Teststäbchen zur Bestimmung der Wasserhärte Test stick for determination of water hardness Bandelette pour déterminer la dureté de l'eau	LOT 612
---	--	--	--	---	---------

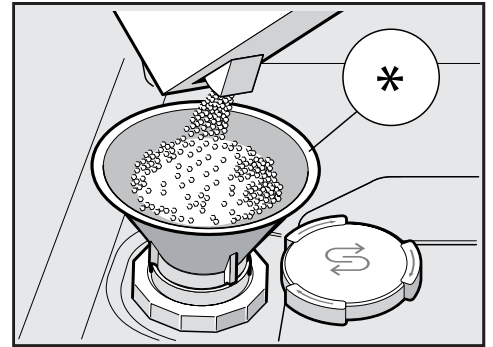
Dip the test strip briefly into tap water for a second. Shake off excess water and compare after approx. 1 minute.	Establishing the water hardness	Setting of Water	Fill with Salt
	After 1 minute the red discoloration of the test areas will show you the correct setting.	Alignment of Softening Unit	Fill salt into the salt container
	0	0	no
	1	0	no
	2	2	yes
	3	4	yes
	4	6	yes

Salt

Using salt

Refill the salt container (using the funnel supplied to pour) before switching on the unit to ensure that salt overflow is immediately washed away. This prevents corrosion.

- Open the screw-type cap of the salt container.
- Fill the tank with water (only required when switching on the unit for the first time).
- Add salt (dishwasher water softening salt) until the water is displaced and runs out.
- Fill with salt as soon as the salt refill indicator “S” or LED is lit.



* model dependent

WARNING

Never fill the salt dispenser with detergent. You will destroy the water softening system. To prevent corrosion, refill with salt and immediately begin any cycle.

NOTE: Refill salt in the appliance only when the salt refill indicator is lit.

Do not use salt tablets or any salt other than dishwasher water softening salt. For more information about ordering salt please contact Customer Service.

Detergent

Use only detergent specifically designed for dishwashers. For best results, use fresh dishwashing detergent. The dishwasher is also equipped with a tablet collecting tray, designed to fully dissolve detergent tabs.

NOTICE

To avoid dishwasher damage, do not use hand dishwashing products in your dishwasher.

This dishwasher uses less water so you need to use less detergent. With soft water, 1 tablespoon (15ml) of detergent will clean most loads. The detergent dispenser cup has lines that measure detergent to 1 tablespoon (15ml) and 1.75 tablespoons (25ml). 3 tablespoons (45ml) of detergent will completely fill the detergent dispenser cup.

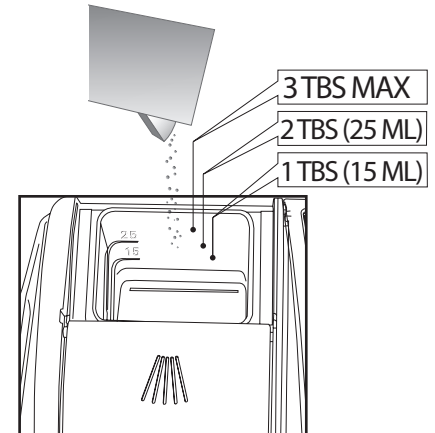
NOTE: If you do not know the hardness of your water supply, use 15ml of detergent. Increase the amount of detergent, if necessary, to the least amount required to get your dishware and kitchenware clean.

To Close:

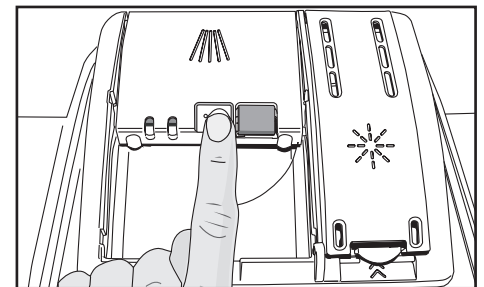
Place finger as shown above, slide forward, then press down FIRMLY until you hear a CLICK.

To Open:

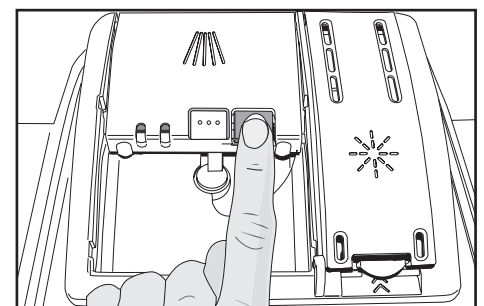
Push button as shown in the figure



Add Detergent



To close the cover



To open the cover

Table 1 - Recommended Detergent Amount


Wash Cycle	Unit	Water Type		
		Hard	Medium	Soft
Power Scrub	ml	45	45	25-45
	Tbsp	3	3	1.75 to 3
Auto Wash	ml	25-45	25	15-25
	Tbsp	1.75 to 3	1.75	1 to 1.75
Regular Wash	ml	25-45	25	15-25
	Tbsp	1.75 to 3	1.75	1 to 1.75
Delicate	ml	25	15-25	15
	Tbsp	1.75	1 to 1.75	1
Quick/ Glass Care	ml	25	15-25	15
	Tbsp	1.75	1 to 1.75	1

Rinse Agent

To achieve proper drying, always use a liquid rinse agent, even if your detergent contains a rinse agent or drying additive.

Rinse Agent Dispenser

Open the rinse agent dispenser by lifting the tab with your thumb.

NOTE: The dishwasher indicates low rinse agent either by showing the symbol  in the countdown display, or illuminating the refill rinse agent light (model dependent).

Add liquid rinse agent to the dispenser as shown until the rinse agent reservoir is full. Wipe up any excess rinse agent that puddles when the dispenser reservoir is full.

Setting amount of rinse-aid

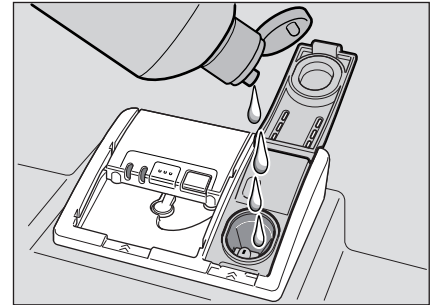
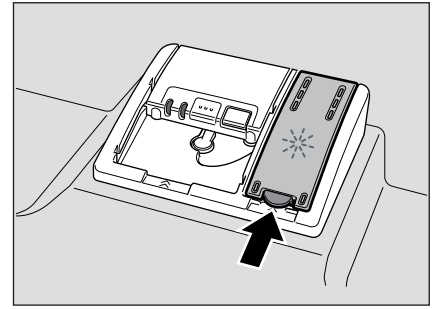
The amount of rinse-aid dispensed can be set from “r:00” to “r:06” .

- Open the door (for hidden controls only).
- Turn unit on by pressing the **ON/OFF** button.
- Hold down button “A” (see page 4) and press START until the display indicates “H:00”
- Press “A” button until the display indicates “r:05”.
- Release both buttons.
- Press “C” to select the desired setting.
 - “r:00” means the Rinse Agent dispenser is off.
 - “r:01” means the Rinse Agent dispenser is at the lowest setting.
 - “r:02” means the Rinse Agent dispenser is low setting.
 - “r:03” means the Rinse Agent dispenser is medium setting.
 - “r:04” means the Rinse Agent dispenser is medium high setting.
 - “r:05” means the Rinse Agent dispenser is high setting.
 - “r:06” means the Rinse Agent dispenser is at the highest setting
- Save the selected language by pressing the **START** button.
- Close the door (for hidden controls only).

Switching off rinse-aid refill indicator

- Set the rinse aid option to **r:00**

NOTE: Do not change the amount of rinse-aid unless there are streaks (select lower setting) or water stains (select higher setting) visible on the utensils.



Dishware Materials

NOTE: Before using your dishwasher for the first time, check the information in this section. Some items are not dishwasher safe and should be hand-washed; others require special loading. Contact the item's manufacturer if you are unsure about the item's dishwasher suitability.

Recommended

Aluminum: Colored anodized aluminum may fade over time. Minerals in your water may cause the aluminum to darken or spot. This can usually be removed by using a soap-filled steel wool pad.

China, Crystal, Stoneware: Some hand-painted pieces may discolor, fade, or spot. Hand-wash these pieces. Position fragile glassware so that it will not topple over or contact other pieces during the wash cycle.

Glass: Milk glass may yellow.

Non-Stick Coatings: Apply a light coating of vegetable oil to non-stick surfaces after drying.

Plastics: Make sure the piece is dishwasher safe.

Stainless Steel, Sterling Silver, and Silver Plate: Place these pieces so that they do not contact dissimilar metals.

Not Recommended

Acrylic: crazing (small cracks throughout the acrylic) may occur.

Adhesive-Joined Pieces: Adhesives that join materials such as plastic, wood, bone, steel copper, tin, etc. may loosen.

Bone-Handled Utensils: Handles may separate.

Iron: Iron will rust. Hand-wash and dry immediately.

Non-Dishware Items: Your dishwasher is intended for use in cleaning ONLY standard household dishware and kitchenware.

Pewter, Brass, Bronze: Pewter will tarnish. Hand-wash and dry immediately.

Tin: Tin will rust. Hand-wash and dry immediately.

Wood: Wooden bowls, wooden utensils, and wood-handled utensils can crack, warp, and lose their finish.

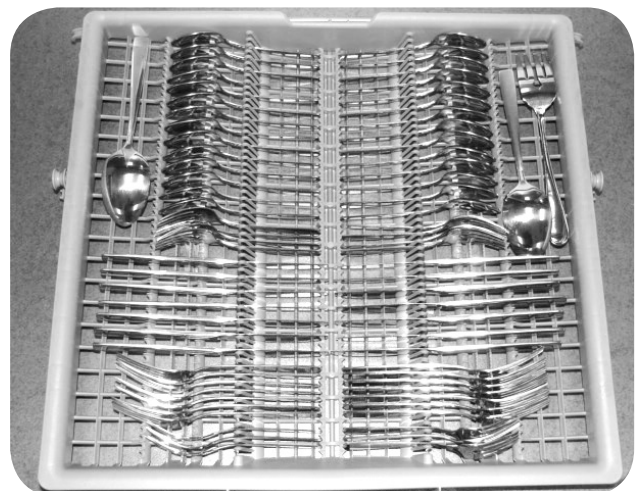
UPPER RACK - 14 PLACE SETTING



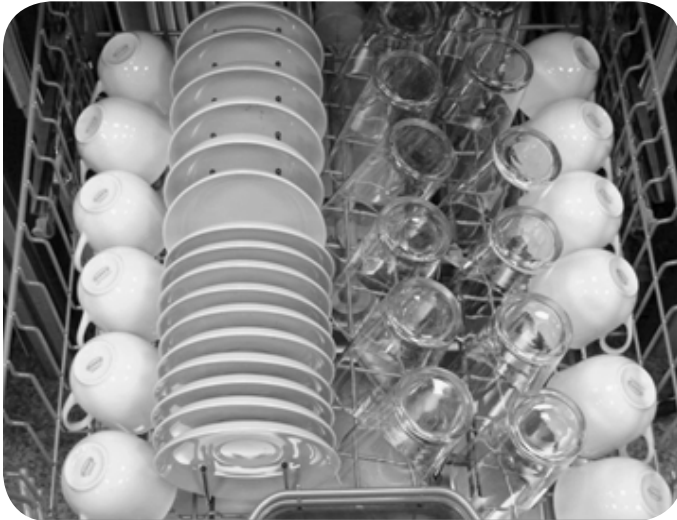
LOWER RACK - 14 PLACE SETTING



CUTLERY RACK - 14 PLACE SETTING



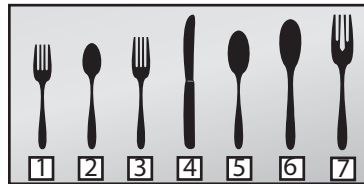
UPPER RACK - 12 PLACE SETTING



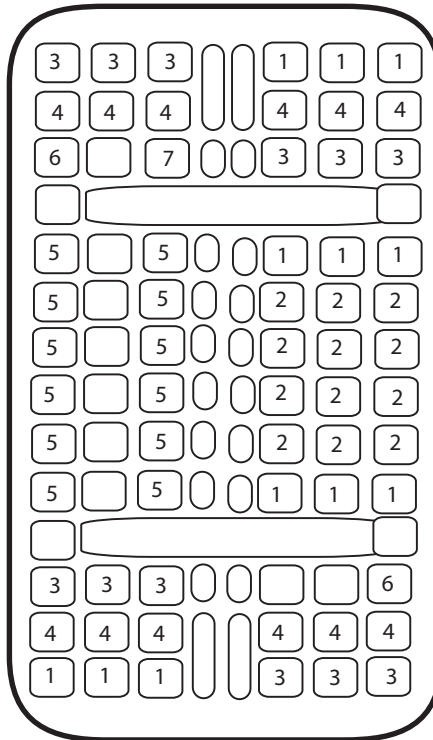
LOWER RACK - 12 PLACE SETTING



SILVERWARE BASKET - 12 PLACE SETTING



- 1 - Salad Fork
- 2 - Tea Spoon
- 3 - Dinner Fork
- 4 - Knife
- 5 - Table Spoon
- 6 - Serving Spoon
- 7 - Serving Fork



Loading the Dishwasher

Do not pre-wash items having loosely-attached soiling. Remove large food particles, bones, seeds, toothpicks, and excessive grease. Items having burned-on, baked-on or starchy soils may require pre-treatment.

Load only dishwasher-safe items into the dishwasher. Load dishes in the dishwasher racks so that the insides of bowls, pots, and pans are face downwards. Avoid nesting and contact points between dishes. Separate items of dissimilar metals.

UPPER RACK - 10 PLACE SETTING



LOWER RACK - 10 PLACE SETTING



CUTLERY RACK - 10 PLACE SETTING



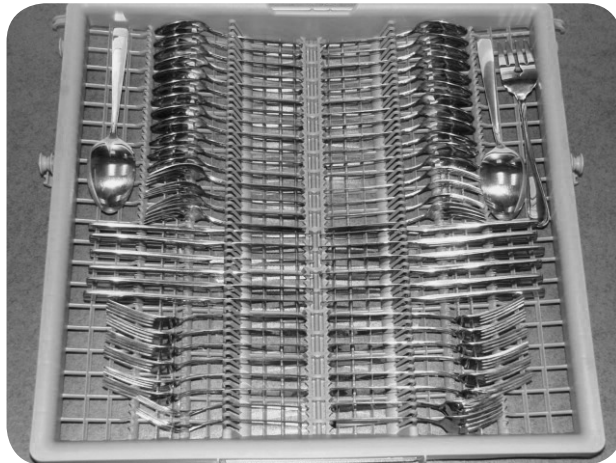
UPPER RACK - 12 PLACE SETTING



UPPER RACK - 12 PLACE SETTING



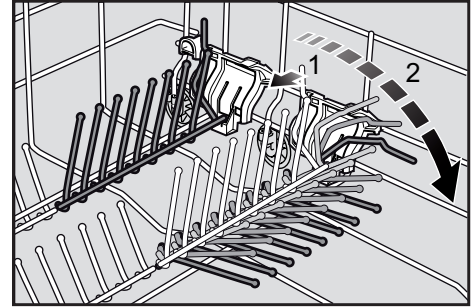
CUTLERY RACK - 12 PLACE SETTING



Rack Accessories

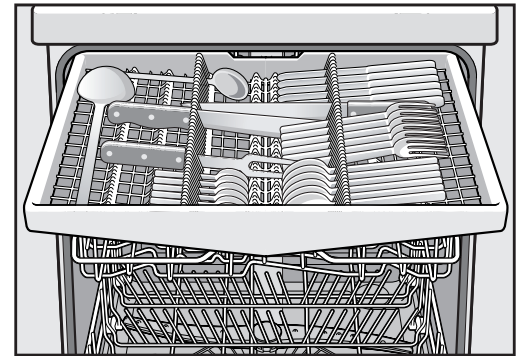
Flip Tines *

Flip Tines fold down to make loading the racks easier in some instances. Grasp the tines, release from notch, and fold the tines downward. When the top rack is loaded, push it into the dishwasher.



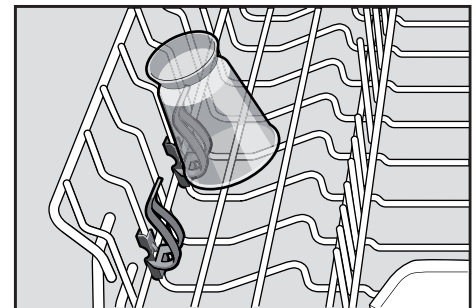
Cutlery drawer *

Arrange the cutlery in the cutlery rack as illustrated. Separately arranged utensils are easier to remove after washing. The rack is removable.



Plastic Item Clips *

Light-weight plastic accessories, e.g. cups, lids, etc. can be held securely by the small accessories holders.

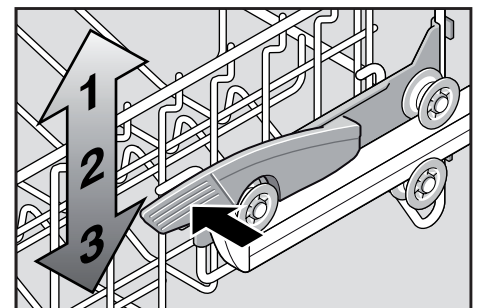


Adjusting the height of the rack

The height of the upper rack can be adjusted in 3 stages to create more space either in the upper or lower rack.

- Pull out the top rack.
- To lower the rack, push the lever inwards then upwards.
- To raise the rack, hold the basket on the sides of the upper edge and lift it up.

Before re-inserting the rack again, ensure that it is at the same height on both sides. Otherwise, the appliance door cannot be closed and the upper spray arm will not be connected to the water circuit.



* model dependent

Wash Cycle Information

Power Scrub Plus

Cleans items having baked-on or hard dried-on food soils. These items may require soaking or hand scouring.

Auto Wash

Takes the guesswork out of cycle selection. The sensors in the dishwasher automatically adjust cycle length, temperature and water changes based on the soil load. This cycle is appropriate for mixed loads.

Delicate Wash

For delicate or heirloom dishwasher and silverware or other special items. Always make sure that the items are dishwasher safe. Refer to the Materials section of this manual for further information. Hand washing may be the best treatment of such items.

Regular Wash

Thoroughly cleans large loads having loosely attached normal soiling.

Quick Wash

For lightly soiled items with easy to remove food soils.

Glass Care

A cycle for lightly soiled dishes which is ideal for temperature sensitive dishes or cutlery. In this cycle the temperature is reduced to help prevent dishes from becoming damaged. It is especially helpful to reduce a cloudy or etched appearance on glasses.

Note: Some glasses are more prone to etching due to the glass manufacturing process

	Power Scrub Auto Plus	Auto Wash	Delicate Wash Auto Delicate	Regular Wash	Quick Wash	Glass Care
cycle time [min]	110 - 135	105 - 129	80 - 85	95 - 119	30	70
water consumption [l]	18.1 - 23.7	12.6 - 19.8	8.3 - 13.9	5.8 - 16.9	10.3	12.9
[gal]	4.8 - 6.3	3.3 - 5.2	2.2 - 3.7	1.5 - 4.5	2.7	3.4
wash temperature [°C]	66 - 71	55 - 66	45 - 50	50 - 55	45	50
wash temperature [°F]	150 - 160	130 - 150	113 - 122	122 - 131	113	122
rinse temperature [°C]	69	69	63	52 - 69	50	60
rinse temperature [°F]	156	156	145	126 - 156	122	140
With Half Load Option						
cycle time [min]	115	95 - 105	75 - 80	90 - 99		65
water consumption [l]	17.5	8.9 - 14.5	8.3 - 11.9	10.4 - 13.5		11.7
[gal]	4.6	2.4 - 3.8	2.2 - 3.1	2.7 - 3.6		3.1
With Sanitize Option						
cycle time [min]	125 - 145	120 - 140		115 - 130		
water consumption [l]	18.1 - 23.7	12.6 - 19.8		5.8 - 16.9		
[gal]	4.8 - 6.3	3.3 - 5.2		1.5 - 4.5		
With Extra Wash Option						
cycle time [min]	145	120 - 140	95 - 105	115 - 135		85
water consumption [l]	23.7	12.6 - 19.8	8.3 - 13.9	5.8 - 16.9		12.9
[gal]	6.3	3.3 - 5.2	2.2 - 3.7	1.5 - 4.5		3.4
With EcoAction Option						
cycle time [min]	105 - 120	100 - 115	75 - 80	100 - 110		65
water consumption [l]	18.1 - 23.7	12.6 - 19.8	8.3 - 13.9	5.8 - 16.9		10.9
[gal]	4.8 - 6.3	3.3 - 5.2	2.2 - 3.7	1.5 - 4.5		2.9

Additional Options

* model dependant

Half Load *

If you have only a few items to wash (e.g. glasses, cups, plates), you can switch to “half load”. This will save water, energy and time. It is recommended to put a little less detergent in the detergent dispenser than for a full load.

Extra Wash *

Cycle option can be selected to increase wash performance with more water used in extra sequences and at higher temperatures.

Sanitize option *

All models are designed to sanitize the loaded dishes. You must press the Sanitize Option button to active the Sanitation features. The technical Sanitation measures may also improve the drying results

Eco Action *

Lowers temperature and slightly increase cycle length to maintain performance while lowering energy usage.

Additional Features

EcoSense Wash Management System*

An advanced sensor system determines the soil level in the wash water and automatically deletes fresh water fills if they're not needed, saving you time and money, while cutting energy usage.

Sanitized

A dishwasher cycle that has the Sanitized symbol has been tested to meet very strict requirements of wash time and water temperature to ensure dishware and kitchenware sanitization.

Time remaining Indicator

When the program is selected, the remaining running time of the program is indicated on the digital display. The running time is determined during the program by the water temperature, the number of utensils as well as the degree of soiling and may vary (depending on the selected program).

InfoLight*

An LED illuminates the floor to indicate unit is running. Do not open the dishwasher door until the LED is no longer visible on the floor.

If the appliance is installed at eye-level, the LED is not visible.

- Turn unit on by pressing the ON/OFF button.
- Hold down button “**A**” and press START until the display indicates “H:00”. Release both buttons
- The LED for “**A**” flashes and display indicates “**H:04**”.
- Press “**A**” until the display shows “**1:01**”
- Press “**C**” to switch between “**1:01**” and “**1:00**” and press START to save.

Delay start

You can delay the start of the program in 1-hour steps up to 24 hours.

- Open the door (for hidden controls only). Turn unit on using the ON/OFF button.
- Press “+” button until the timer programming display jumps to 01 .
- Press + or – button until the displayed time corresponds with your requirements.
- Press START button. Delay start is activated.

To cancel delay start:

- Press the + or – button until “00” is indicated on the digital display.

You can change your program selection at any time until the program starts.

- Close the door (for hidden controls only).

Cycle Completion Signal

The cycle completion is also indicated by a tone. This function can be changed as follows:

- Open the door (for hidden controls only). Turn unit on using the ON/OFF button.
- Hold down “A” button and press START button until the display shows H:00.
- Release both buttons.
- Press “A” until the display shows “b:02”.
- Press “C” to increase or decrease the tone.
- **b:00** = Off and **b:03** = loudest
- Press **START** to save the setting.

Intensive drying

The final rinse uses a higher temperature which improves the drying result.

The running time may increase slightly. (Caution if utensils are delicate!)

- Open the door. (for hidden controls only). Turn unit on using the ON/OFF button. Hold down “A” button and press START the digital display shows “H:00”.
- Release both buttons.
- Press button “A” until the display indicates “d:00”

To change the setting,

- Press button “C” (see page 4) to turn intensive drying ON = d:01 or OFF = d:00
- Press START button. The set value is saved.
- Close the door (for hidden controls only).

Operating the Unit

Switching on the appliance

- For hidden controls, open the door.
- Turn unit on by pressing the ON/OFF switch. The display of the last selected program flashes.
- The expected program duration flashes on the digital display.
- Press the START button.
- Close the door. The program starts running.

Interrupting the cycle

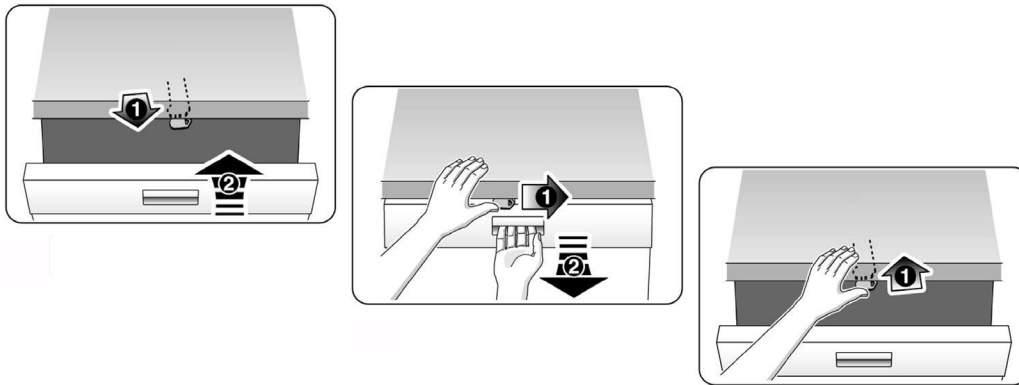
- Open the door (for hidden controls only).
- Press the ON/OFF button. The LEDs go out. The program is saved. If the door was opened on an appliance which has a warm water connection or is heated, first leave the door ajar for several minutes and then close. Otherwise, expansion (pressure) may cause the appliance door to spring open or water to run out of the appliance.
- To continue the program, switch on the ON/OFF switch again.
- Close the door.

Terminating the program

When the display indicates “0:00” it means the cycle has ended. The end of cycle is also indicated by a cycle completion signal in select models.

- Turn unit on using the ON/OFF button.
- Hold down button “A” button and press START until the display indicates “0:01”
- Close the door. The program sequence lasts approx. 1 min.
- The display will indicate 0:00
- Close the door (for hidden controls only).

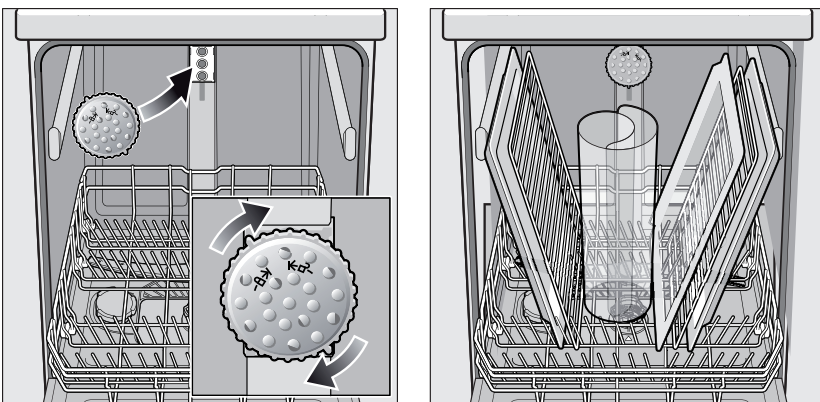
Child-proof lock * (select models)



The Child Safety Lock is designed to prevent children from opening the dishwasher.

- To lock the door, push the slider below the door grip to the right.
- To unlock the door, push the slider to the left.

Extra Tall Item Sprinkler *



If an item is too tall to be placed into the bottom rack even with the top rack in the raised position, remove the empty top rack by pulling it out of the dishwasher until it stops rolling. Pull the front of the rack upward and outward until the rollers are completely free of the roller guides. Set the top rack aside. Push the roller guides back into the dishwasher.

Insert the Extra Tall Item Sprinkler into the top rack spray outlet and turn the sprinkler clockwise to lock it into position as shown above. Place your extra tall item(s) in the bottom rack as shown above.

Maintenance and Care

A regular inspection and maintenance of your machine will help to prevent faults. This saves time and prevents problems.

Overall condition of the machine

Check spray arm for grease and limescale deposits.

If you find such deposits:

- Fill detergent dispenser with detergent.
- Start the appliance without utensils in the program with the highest rinsing temperature.

Clean the appliance with detergents/appliance cleaners which are particularly suitable for use with dishwashers.

- Regularly clean door seal with a damp cloth.

Never use a steam cleaner to clean your dishwasher. The manufacturer is not liable for any consequential damage.

Regularly wipe the front of the appliance and fascia with a damp cloth; water and a little washing up liquid are adequate.

Do not use sponges with a rough surface or abrasive detergents, as these could scratch the surfaces.

Stainless steel appliances: To prevent corrosion, avoid using sponge cloths or wash them out thoroughly several times before using for the first time.

Filters

The filters keep large foreign objects in the rinsing water away from the pump. These foreign objects may occasionally block the filters.

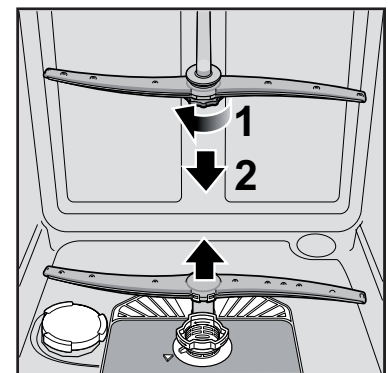
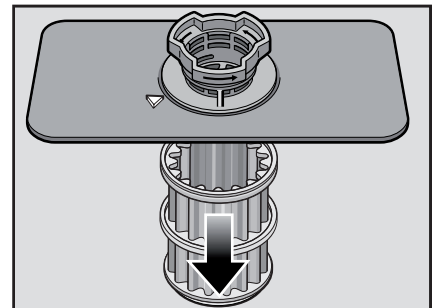
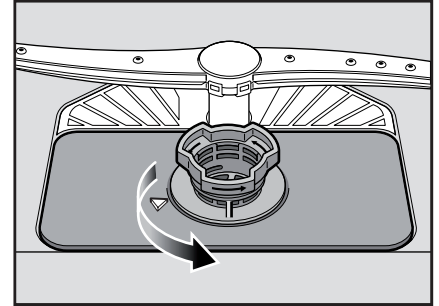
The filter system consists of a coarse filter, a flat fine filter and a microfilter.

- After each washing cycle check the filters for residue.
- Unscrew filter cylinder as illustrated and take out filter system.
- Remove any residue and clean filters under running water.
- Re-install filter system in reverse sequence and ensure that the arrow marks are opposite each other after closing the filter system.

Spray arms

Limescale and contaminants in the rinsing water may block nozzles and bearings on the spray arms.

- Check outlet nozzles on the spray arms for blockages.
- Unscrew the upper spray arm.
- Remove the lower spray arm.

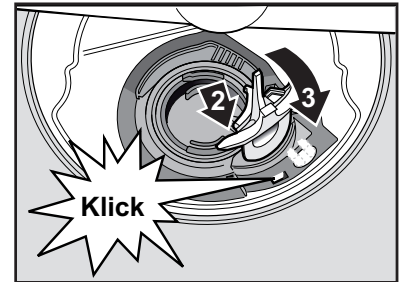
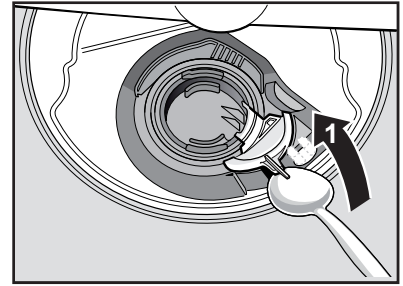


Waste water pump

Large food remnants in the rinsing water not retained by the filters may block the waste water pump. The rinsing water does not get pumped out and covers the filter.

In this case:

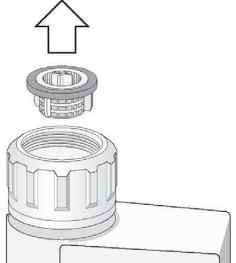
- Disconnect the appliance from the power supply.
- Remove the filters.
- Scoop out water, use a sponge if required.
- Using a spoon, prise off pump cover(as illustrated) until it clicks, then grip the cover by the lug and first pull it upwards until it resists and then pull it out forwards.
- Check inner compartment and remove any foreign objects.
- Place cover in the original position, press down and engage.
- Install filters



SELF HELP

Dishwashers may occasionally exhibit problems that are unrelated to a malfunction of the dishwasher itself. The following information may help you with a dishwasher problem without involving a repair professional.

Problem	Cause	Action
Dishwasher does not start	<ol style="list-style-type: none"> 1. Door may not be properly latched. 2. Unit may not be turned on. 3. Unit not reset or previous cycle not completed. 4. Delay start engaged. 5. Interruption of electrical power supply to dishwasher or blown fuse. 6. Child lock activated (select models). 7. The door may have been closed without first selecting a cycle. 8. Water supply may not be turned on. 	<ol style="list-style-type: none"> 1. Shut the door completely. 2. Press the main power switch to turn unit on. 3. To reset, refer to "Canceling or changing the cycle" section in this manual. 4. To reset, refer to "Delay Start" section in this manual. 5. Check circuit breaker. 6. Deactivate the child lock. Refer to "Child Lock" section in this manual if applicable. 7. Select a cycle and close the door. 8. Check and turn on water supply.
Dishwasher beeping (end of cycle signal)	Default factory settings alert the customer that the cycle has completed by beeping. This feature can be deactivated if so desired.	To adjust the volume or deactivate, refer to "Cycle Completion Signal" section in this manual.
Display does not illuminate or console lights are not on	<ol style="list-style-type: none"> 1. A fuse may have been blown or circuit breaker tripped. 2. Door not closed or latched. <p>Note: For models with controls on the top portion of the door, the display only illuminates when the door is opened and controls are visible.</p>	<ol style="list-style-type: none"> 1. Check the fuse or circuit breaker box and replace the fuse or reset the breaker if necessary. 2. Ensure that door is properly latched and completely closed.
Dishwasher seems to run a long time	<ol style="list-style-type: none"> 1. Incoming water is not warm enough. 2. Cycle time can vary due to soil and water conditions. 3. Rinse agent dispenser is empty. 4. Dishwasher connected to cold water supply. <p>Note: Refer to "Cycle Chart Data" section in this manual for typical cycle length.</p>	<ol style="list-style-type: none"> 1. Before starting a cycle, run hot water faucet at the sink nearest to the dishwasher. 2. Sensors in the dishwasher automatically increase the cycle time to ensure a good wash when heavy soil is detected. 3. Add rinse agent. 4. Verify dishwasher is connected to hot water supply plumbing.
Dishes aren't getting clean enough	<ol style="list-style-type: none"> 1. Spray arm movement is obstructed. 2. Spray arm nozzles clogged. 3. Improper use of detergents. 4. Filters could be clogged. 5. Dishes are nested or loaded too close together. 6. Selected wash cycle is not suitable for food soil conditions. 	<ol style="list-style-type: none"> 1. Ensure that spray arm movement is not blocked by hand rotating spray arms. 2. Remove the spray arms and clean according to "Check/Clean the Spray Arm Nozzles" in Care and Maintenance section of this manual. 3. Increase or decrease detergent depending on the water hardness. Refer to Table under "Adding Detergent and Rinse Agent". 4. Clean the filter. Refer to "Check/Clean the Filter System" under Care and Maintenance section of this manual. 5. Rearrange load such that water spray can reach all items in the dishwasher. See also "Preparing and Loading" section of this manual. 6. Refer to "Wash Cycle" section in Operating the Dishwasher section of this manual.
Dishes are not getting dry enough	<ol style="list-style-type: none"> 1. Rinse agent dispenser is empty. (Rinse agent indicator is activated). 2. Improper loading of dishes. 3. Selected cycle does not include drying. <p>Note: Plastic or Teflon do not typically dry as completely as other items due to their inherent properties.</p>	<ol style="list-style-type: none"> 1. Add rinse agent. The use of rinse agent improves drying. 2. Rearrange load to ensure items are not nested. Refer also to the "Preparing and Loading" section of this manual. 3. Rinse and Hold setting does not include drying cycle. <p>Note: Select models offer an extra heating options to improve drying performance. Refer to "Wash Cycle options" under the Operating the Dishwasher section of this manual.</p>
Odor	<ol style="list-style-type: none"> 1. Food debris is present at the bottom of the dishwasher. 2. Food particles are present near the door seal. 3. Dishes left too long in unit before running a cycle. 4. Residual water is present at the bottom of the dishwasher. 5. Drain hose is obstructed. 	<ol style="list-style-type: none"> 1. Remove the filters and clean according to the "Check/Clean the Filter System" section of this manual. 2. Refer to "Clean the Door Gasket and Door Seal" in the Care and Maintenance section of this manual. 3. Run a Rinse/Hold cycle if you do not intend to immediately wash the dishes. 4. Ensure the unit has completely drained from the last cycle. Refer to the "Canceling or changing the cycle" section of this manual. 5. Remove any obstructions from the drain hose by calling qualified personnel. <p>Note: If odor still persists, run the Normal/Regular cycle until it flushes and interrupt the cycle and place an 8 oz. cup of distilled white vinegar solution on the top rack and then finish the cycle.</p>

Problem	Cause	Action
Dishwasher not filling with water	<ol style="list-style-type: none"> 1. Restriction in the water supply system. 2. Previous wash cycle was not completed. 3. Delay-start is active. 	<ol style="list-style-type: none"> 1. Ensure that the water supply valve (typically located under kitchen sink) is open and check that the water supply line has no kinks and clogs. 2. Refer to the "Canceling or changing the cycle" section of this manual. 3. Cancel the delay-start or wait until delay-start time completes (times out). Refer to the "Delay Start" section of this manual.
Water Leaks	<ol style="list-style-type: none"> 1. Suds 2. Door seal could be pulled away from track. 3. Condensation vent is blocked. 4. Improper installation. 	<ol style="list-style-type: none"> 1. Wrong type of detergent results in suds and leaks. Use only dishwasher detergents. If suds still persist, then add one tablespoon of vegetable oil at the bottom of the dishwasher and run the desired cycle. 2. Ensure that door seal is in the track. 3. Ensure that condensation vent is not blocked. Refer to "Loading Extra Tall Items" in the Preparing and Loading the Dishwasher section of this manual. 4. Have proper installation verified by qualified personnel (water supply, drain system, leveling, plumbing).
Tub stains	<ol style="list-style-type: none"> 1. Stains on the dishwasher interior are due to hardness of water. 2. Silverware in contact with tub. 	<ol style="list-style-type: none"> 1. Concentrated Lemon juice can reduce the build up of hard water stains. Run a normal cycle until it flushes and interrupt the cycle and then place an 8 oz. cup of the concentrated lemon solution on the top rack and finish the cycle. This can be done periodically to avoid build up. 2. Ensure that the silverware does not make contact with the tub while running a cycle.
Streaks on glass-ware or residue on the dishes	Incorrect rinse agent setting.	Depending on the hardness of water, adjust the rinse agent dispenser. Refer to "Adding Detergent and Rinse Agent" section in this manual for adjustment.
Fascia panel discolored or marked	Abrasive cleaner used.	Use mild detergents with soft damp cloth.
Noise during wash cycle	The dishes may not be arranged properly.	Water circulation sound is normal, but if you suspect items are banging into each other or into the spray arms, refer to the "Preparing and Loading" section of this manual for optimal arrangement.
Detergent dispenser cover will not shut	<ol style="list-style-type: none"> 1. Improper operation of detergent cover. 2. Previous cycle has not been finished, reset, or cycle was interrupted. 	<ol style="list-style-type: none"> 1. Refer to "Adding Detergent and Rinse Aid" section of this manual for instructions on opening and closing the dispenser. 2. Refer to the "Canceling or changing the cycle" section of this manual.
Unable to select desired cycle	Previous cycle has not finished or another cycle has already started.	Refer to the "Canceling or changing the cycle" section of this manual.
Error Codes	If fault code (E01 to E30) is indicated on the digital display 3, first disconnect the appliance from the power supply. You can rectify certain faults yourself (see following fault description), for all other faults please contact customer service and state the indicated fault E:XX.	
Water is left in the appliance at the end of the programme	<ol style="list-style-type: none"> 1. (E24) Waste water hose is blocked or kinked. 2. (E25) Waste water pump blocked, cover on the waste water pump is not locked in position 3. Filters blocked. 4. The programme has not yet ended. 	<ol style="list-style-type: none"> 1. See Care and Maintenance. 2. Wait until programme ends (digital display indicates 0:00) or implement the "Reset" function.
"Check water supply" display lights up	<ol style="list-style-type: none"> 1. Tap turned off. 2. Water supply interrupted. 3. Supply hose kinked. 4. Filter in the water supply blocked 	<ol style="list-style-type: none"> 1. Switch off the appliance and pull out the main plug. 2. Turn off the tap. 3. Clean filter in the supply hose. 4. Reconnect power supply. 5. Turn on the tap. 6. Switch on the appliance. 

Customer Service

Your dishwasher requires no special care other than that described in the Care and Maintenance section of the Use and Care Manual. If you are having a problem with your dishwasher, before calling for service please refer to the Self Help section in the Use and Care Manual. If service is necessary, contact your dealer or installer or an authorized service center. Do not attempt to repair the appliance yourself. Any work performed by unauthorized personnel may void the warranty.

If you are having a problem with your dishwasher and are not pleased with the service you have received, please take the following steps (in the order listed below) until the problem is corrected to your satisfaction:

1. Contact your installer or the Authorized Service Contractor in your area.
2. E-mail us from the customer service section of our website, www.boschappliances.com.
3. Write us at the address below:
BSH Home Appliances, Corp.
5551 McFadden Avenue
Huntington Beach, CA 92649
4. Call Customer Service at 1-800-944-2904.
Please be sure to include (if you are writing), or have available (if you are calling), the following information:
 - Model number
 - Serial number
 - Date of original purchase
 - Date the problem originated
 - Explanation of the problem

Warranty Information

Statement of Limited Product Warranty

What this Warranty Covers & Who it Applies to: The limited warranty provided by BSH Home Appliances (“Bosch”) in this Statement of Limited Product Warranty applies only to Bosch dishwashers (“Product”) sold to you, the first using purchaser, provided that the Product was purchased: (1) for your normal, household (non-commercial) use, and has in fact at all times only been used for normal household purposes; (2) new at retail (not a display, “as is”, or previously returned model), and not for resale, or commercial use; and (3) within the United States or Canada, and has at all times remained within the country of original purchase. The warranties stated herein apply only to the first purchaser of the Product and are not transferable.

- Please make sure to return your registration card; while not necessary to effectuate warranty coverage, it is the best way for Bosch to notify you in the unlikely event of a safety notice or product recall.

How Long the Warranty Lasts: Bosch warrants that the Product is free from defects in materials and workmanship for a period of three hundred sixty five (365) days (i.e., 1 year) from the date of purchase. The foregoing timeline begins to run upon the date of purchase, and shall not be stalled, tolled, extended, or suspended, for any reason whatsoever. Labor and shipping costs are included in this basic coverage.

Extended Limited Warranty: Bosch also provides these additional limited warranties:

- **2 Year Limited Warranty:** Bosch will repair or replace any component that proves to be defective in materials or workmanship (excludes labor charges).
- **5 Year Limited Warranty on Electronics:** Bosch will repair or replace any Bosch microprocessor or printed circuit board if it proves to be defective in materials or workmanship (excludes labor charges).
- **5 Year Limited Warranty on Dish Racks:** Bosch will replace the upper or lower dish rack (excluding rack components), if the rack proves defective in materials or workmanship (excludes labor charges).
- **Lifetime Warranty against Stainless Steel Rust Through:** Bosch will replace your dishwasher with the same model or a current model that is substantially equivalent or better in functionality, if the inner liner should rust through (excludes labor charges). Bosch will replace the stainless steel door if the door should rust through (excludes labor charges).

The foregoing timeline begins to run upon the date of purchase, and shall not be stalled, tolled, extended, or suspended, for any reason whatsoever.

Repair/Replace as Your Exclusive Remedy: During this warranty period, Bosch or one of its authorized service providers will repair your Product without charge to you (subject to certain limitations stated herein) if your Product proves to have been manufactured with a defect in materials or workmanship. If reasonable attempts to repair the Product have been made without success, then Bosch will replace your Product (upgraded models may be available to you, in Bosch’s sole discretion, for an additional charge). All removed parts and components shall become the property of Bosch at its sole option. All replaced and/or repaired parts shall assume the identity of the original part for purposes of this warranty and this warranty shall not be extended with respect to such parts. Bosch’s sole liability and responsibility hereunder is to repair manufacturer-defective Product only, using a Bosch-authorized service provider during normal business hours. For safety and property damage concerns, Bosch highly recommends that you do not attempt to repair the Product yourself, or use an un-authorized servicer; Bosch will have no responsibility or liability for repairs or work performed by a non-authorized servicer. If you choose to have someone other than an authorized service provider work on your Product, **THIS WARRANTY WILL AUTOMATICALLY BECOME NULL AND VOID.** Authorized service providers are those persons or companies that have been specially trained on Bosch products, and who possess, in Bosch’s opinion, a superior reputation for customer service and technical ability (note that they are independent entities and are *not* agents, partners, affiliates or representatives of Bosch). Notwithstanding the foregoing, Bosch will not incur any liability, or have responsibility, for the Product if it is located in a remote area (more than 100 miles from an authorized service

provider) or is reasonably inaccessible, hazardous, threatening, or treacherous locale, surroundings, or environment; in any such event, if you request, Bosch would still pay for labor and parts and ship the parts to the nearest authorized service provider, but you would still be fully liable and responsible for any travel time or other special charges by the service company, assuming they agree to make the service call.

Out of Warranty Product: Bosch is under no obligation, at law or otherwise, to provide you with any concessions, including repairs, pro-rates, or Product replacement, once this warranty has expired.

Warranty Exclusions: The warranty coverage described herein excludes all defects or damage that are not the direct fault of Bosch, including without limitation, one or more of the following: (1) use of the Product in anything other than its normal, customary and intended manner (including without limitation, any form of commercial use, use or storage of an indoor product outdoors, use of the Product in conjunction with air or water-going vessels); (2) any party’s willful misconduct, negligence, misuse, abuse, accidents, neglect, improper operation, failure to maintain, improper or negligent installation, tampering, failure to follow operating instructions, mishandling, unauthorized service (including self-performed “fixing” or exploration of the appliance’s internal workings); (3) adjustment, alteration or modification of any kind; (4) a failure to comply with any applicable state, local, city, or county electrical, plumbing and/or building codes, regulations, or laws, including failure to install the product in strict conformity with local fire and building codes and regulations; (5) ordinary wear and tear, spills of food, liquid, grease accumulations, or other substances that accumulate on, in, or around the Product; and (6) any external, elemental and/or environmental forces and factors, including without limitation, rain, wind, sand, floods, fires, mud slides, freezing temperatures, excessive moisture or extended exposure to humidity, lightning, power surges, structural failures surrounding the appliance, and acts of God. In no event shall Bosch have any liability or responsibility whatsoever for damage to surrounding property, including cabinetry, floors, ceilings, and other structures or objects around the Product. Also excluded from this warranty are scratches, nicks, minor dents, and cosmetic damages on external surfaces and exposed parts; Products on which the serial numbers have been altered, defaced, or removed; service visits to teach you how to use the Product, or visits where there is nothing wrong with the Product; correction of installation problems (you are solely responsible for any structure and setting for the Product, including all electrical, plumbing or other connecting facilities, for proper foundation/flooring, and for any alterations including without limitation cabinetry, walls, floors, shelving, etc.); and resetting of breakers or fuses.

TO THE EXTENT ALLOWED BY LAW, THIS WARRANTY SETS OUT YOUR EXCLUSIVE REMEDIES WITH RESPECT TO PRODUCT, WHETHER THE CLAIM ARISES IN CONTRACT OR TORT (INCLUDING STRICT LIABILITY, OR NEGLIGENCE) OR OTHERWISE. THIS WARRANTY IS IN LIEU OF ALL OTHER WARRANTIES, WHETHER EXPRESS OR IMPLIED. ANY WARRANTY IMPLIED BY LAW, WHETHER FOR MERCHANTABILITY OR FITNESS FOR A PARTICULAR PURPOSE, OR OTHERWISE, SHALL BE EFFECTIVE ONLY FOR THE PERIOD THAT THIS EXPRESS LIMITED WARRANTY IS EFFECTIVE. IN NO EVENT WILL THE MANUFACTURER BE LIABLE FOR CONSEQUENTIAL, SPECIAL, INCIDENTAL, INDIRECT, “BUSINESS LOSS”, AND/OR PUNITIVE DAMAGES, LOSSES, OR EXPENSES, INCLUDING WITHOUT LIMITATION TIME AWAY FROM WORK, HOTELS AND/OR RESTAURANT MEALS, REMODELLING EXPENSES IN EXCESS OF DIRECT DAMAGES WHICH ARE DEFINITELY CAUSED EXCLUSIVELY BY BOSCH, OR OTHERWISE. SOME STATES DO NOT ALLOW THE EXCLUSION OR LIMITATION OF INCIDENTAL OR CONSEQUENTIAL DAMAGES, AND SOME STATES DO NOT ALLOW LIMITATIONS ON HOW LONG AN IMPLIED WARRANTY LASTS, SO THE ABOVE LIMITATIONS MAY NOT APPLY TO YOU. THIS WARRANTY GIVES YOU SPECIFIC LEGAL RIGHTS, AND YOU MAY ALSO HAVE OTHER RIGHTS WHICH VARY FROM STATE TO STATE. No attempt to alter, modify or amend this warranty shall be effective unless authorized in writing by an officer of BSH.

How to Obtain Warranty Service: TO OBTAIN WARRANTY SERVICE FOR YOUR PRODUCT, YOU SHOULD CONTACT THE NEAREST BOSCH AUTHORIZED SERVICE CENTER, OR CALL 800-944-2904, or write Bosch at: BSH Home Appliances - 5551 McFadden Avenue, Huntington Beach, CA 92649 /

Félicitations et merci de Bosch !

Merci d'avoir choisi un lave-vaisselle Bosch. Vous rejoignez les nombreux consommateurs qui exigent un rendement silencieux et supérieur d'un lave-vaisselle.

Ce guide a été écrit en vue de la sécurité et du côté pratique, et l'information contenue ici est très importante. Nous recommandons de lire ce guide avant d'utiliser le lave-vaisselle la première fois.

Pour en connaître davantage sur le lave-vaisselle et les accessoires disponibles ainsi que sur les autres appareils Bosch de haute qualité, visiter le site www.bosch-appliances.com.

Pour toute question ou tout commentaire, communiquer par téléphone au 1-80-944-2904 ou par écrit :

BSH Home Appliances, Corp.
5551 McFadden Avenue
Huntington Beach, CA 92649

Instructions de sécurité importantes.....	25
Caractéristiques et options du lave vaissell.....	26
Composants du lave-vaisselle.....	27
Caractéristiques et options.....	28
Sel.....	29
Detergent.....	29
D'agent de rinçage.....	30
MATÉRIAUX.....	31
Chargement du lave-vaisselle.....	32-33
Déchargement du lave-vaisselle.....	34
Cycle de Lavage.....	35
Options additionnelles.....	36
Features additionnelles.....	36-38
Entretien.....	39-40
Aide.....	41
Service à la clientèle.....	42
Énoncé de la garantie limitée.....	43

Instructions de sécurité importantes

AVIS

Ne jamais utiliser de produits nettoyants à vapeur pour nettoyer le lave-vaisselle. Le fabricant n'est pas responsable des dommages ni des conséquences.

Ne jamais utiliser de produits chimiques pour nettoyer le lave-vaisselle. Certains produits nettoyants contenant du chlore peuvent endommager l'appareil et causer un risque pour la santé.

Il est fortement recommandé à l'utilisateur de se familiariser avec la marche à suivre d'arrêt pour l'alimentation en eau ainsi que celle de l'alimentation électrique. Voir les instructions d'installation ou en parler avec l'installateur pour plus de détails.

AVERTISSEMENT

Un usage inadéquat du lave-vaisselle peut causer des blessures sérieuses ou la mort. Ne pas utiliser l'appareil à des fins autres que celles indiquées dans ce guide ou à d'autres fins que ce qui est expliqué dans les pages suivantes.

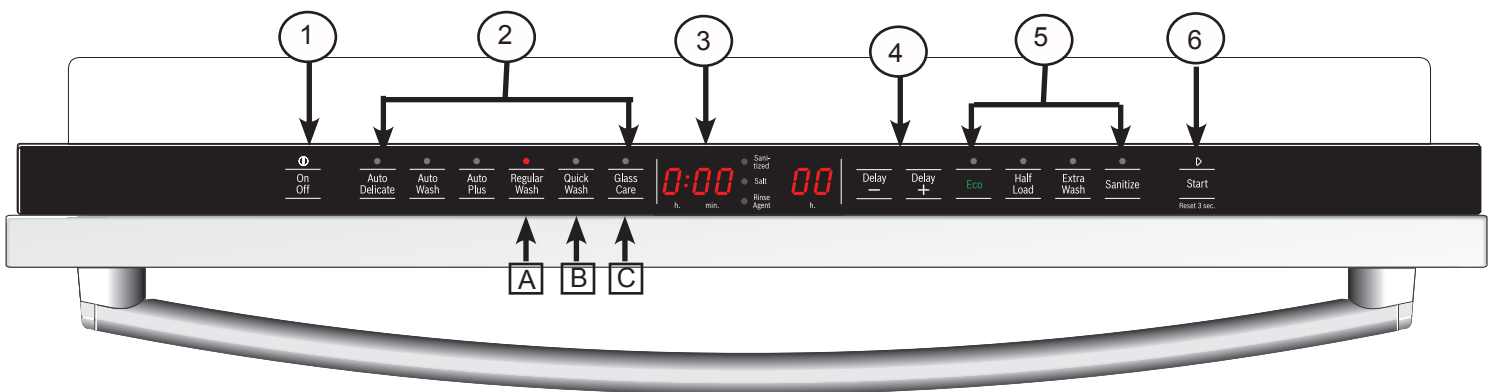
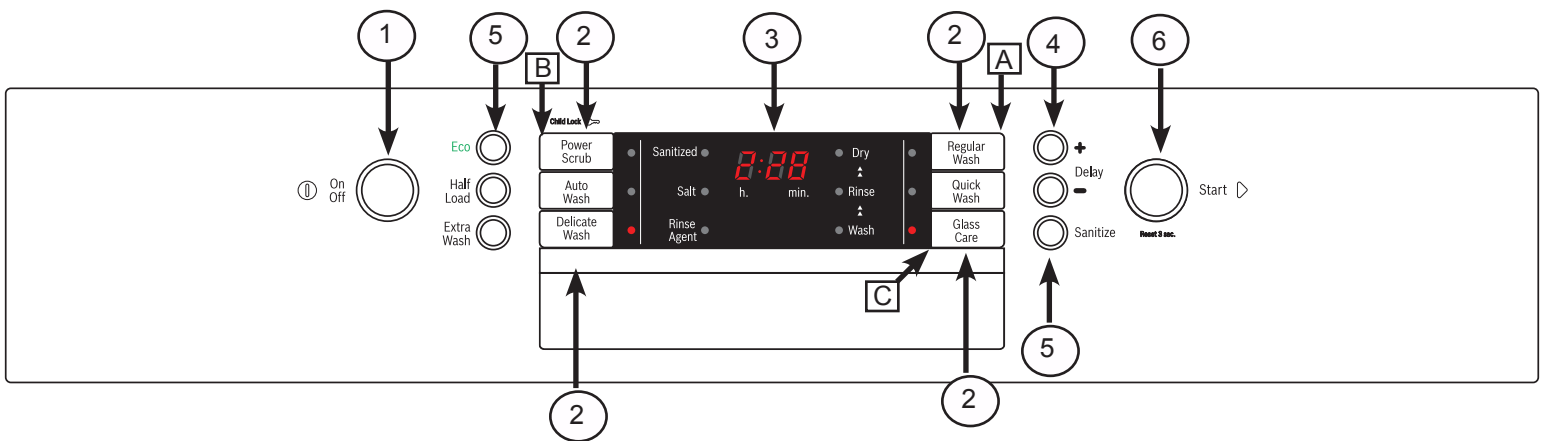
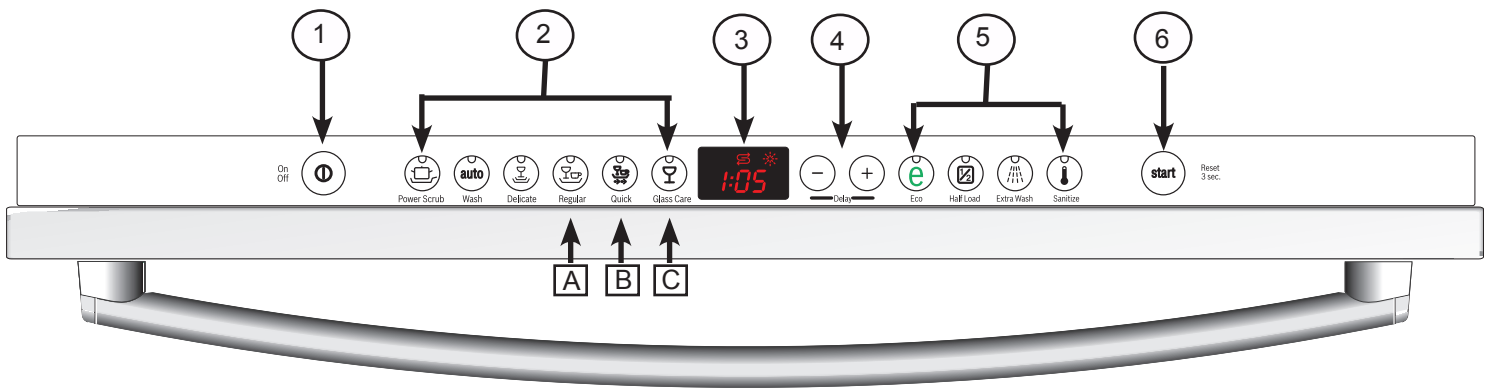
Il peut en résulter des dommages au produit et/ou des blessures en utilisant les services d'un technicien non qualifié ou des pièces de rechange qui ne sont pas d'origine. Toute réparation doit être effectuée par un technicien qualifié qui utilise seulement des pièces de rechange d'origine.

Il peut en résulter un choc électrique ou un incendie, si l'alimentation électrique au lave-vaisselle décrit dans ce guide est installée inadéquatement ou si le lave-vaisselle n'est pas mis à la terre correctement. Ne pas utiliser l'appareil décrit dans ce guide en cas de doute quant à l'installation de l'alimentation électrique ou à la mise à la terre.

Avertissement : pour réduire le risque d'incendie, de choc électrique, de blessures, observer ce qui suit :

- Cet appareil doit être mis à la terre sur un système de câblage permanent en métal ou un conducteur de mise à la terre d'équipement doit être acheminé avec les conducteurs de circuits et branché sur la borne de mise à la terre d'équipement ou le fil du lave-vaisselle. Voir les instructions d'installation comprises avec le lave-vaisselle pour plus de détails sur les exigences électriques.
- Utiliser le lave-vaisselle seulement pour l'usage auquel il est destiné soit, laver la vaisselle et les ustensiles de cuisine.
- Le lave-vaisselle est doté des instructions d'installation et d'un guide d'utilisation et d'entretien. Lire et comprendre toutes les instructions avant d'utiliser l'appareil.
- Utiliser seulement les détergents et agents de rinçage recommandés pour les lave-vaisselle et conserver hors de la portée des enfants.
- Au moment de charger la vaisselle :
 - Placer les ustensiles affûtés afin qu'ils n'endommagent pas le joint de porte.
 - Placer les couteaux et autres ustensiles affûtés avec le MANCHE VERS LE HAUT pour réduire les risques de blessures.
- Ne pas laver les articles en plastique à moins qu'ils ne soient recommandés pour lave-vaisselle. Autrement, voir les recommandations du fabricant.
- Ne pas faire fonctionner le lave-vaisselle si les panneaux ne sont pas en place.
- Ne pas jouer ni outrepasser les commandes et les verrouillages.
- Ne pas abuser, s'asseoir, se tenir debout sur la porte ou les paniers du lave-vaisselle.
- Pour réduire le risque de blessures, ne pas laisser les enfants jouer dans ou avec l'appareil.
- Lorsque les enfants sont suffisamment âgés pour utiliser l'appareil, il incombe aux parents ou aux tuteurs légaux d'enseigner les consignes de sécurité.
- Dans certaines conditions, du gaz hydrogène peut se former dans un système d'eau chaude qui n'a pas été utilisé pendant deux semaines ou plus. L'hydrogène est un gaz explosif. Avant d'utiliser le lave-vaisselle qui n'a pas été utilisé pendant deux semaines ou plus, ouvrir tous les robinets d'eau chaude et laisser couler l'eau quelques minutes. Ceci permet à l'hydrogène de s'échapper. Puisque l'hydrogène est un gaz explosif, ne pas fumer ni utiliser une flamme nue à ce moment.
- Enlever la porte au moment de jeter un lave-vaisselle.
- Pour éviter tout dommage au plancher ou de la moisissure, ne pas laisser l'eau stagner autour ou sous l'appareil.
- Protéger le lave-vaisselle des éléments, du gel, pour éviter tout dommage possible. Les dommages causés par le gel ne sont pas couverts par la garantie.

Caractéristiques et options du lave vaisselle



1 - Touche marche-arrêt

2 - Cycles de lavage

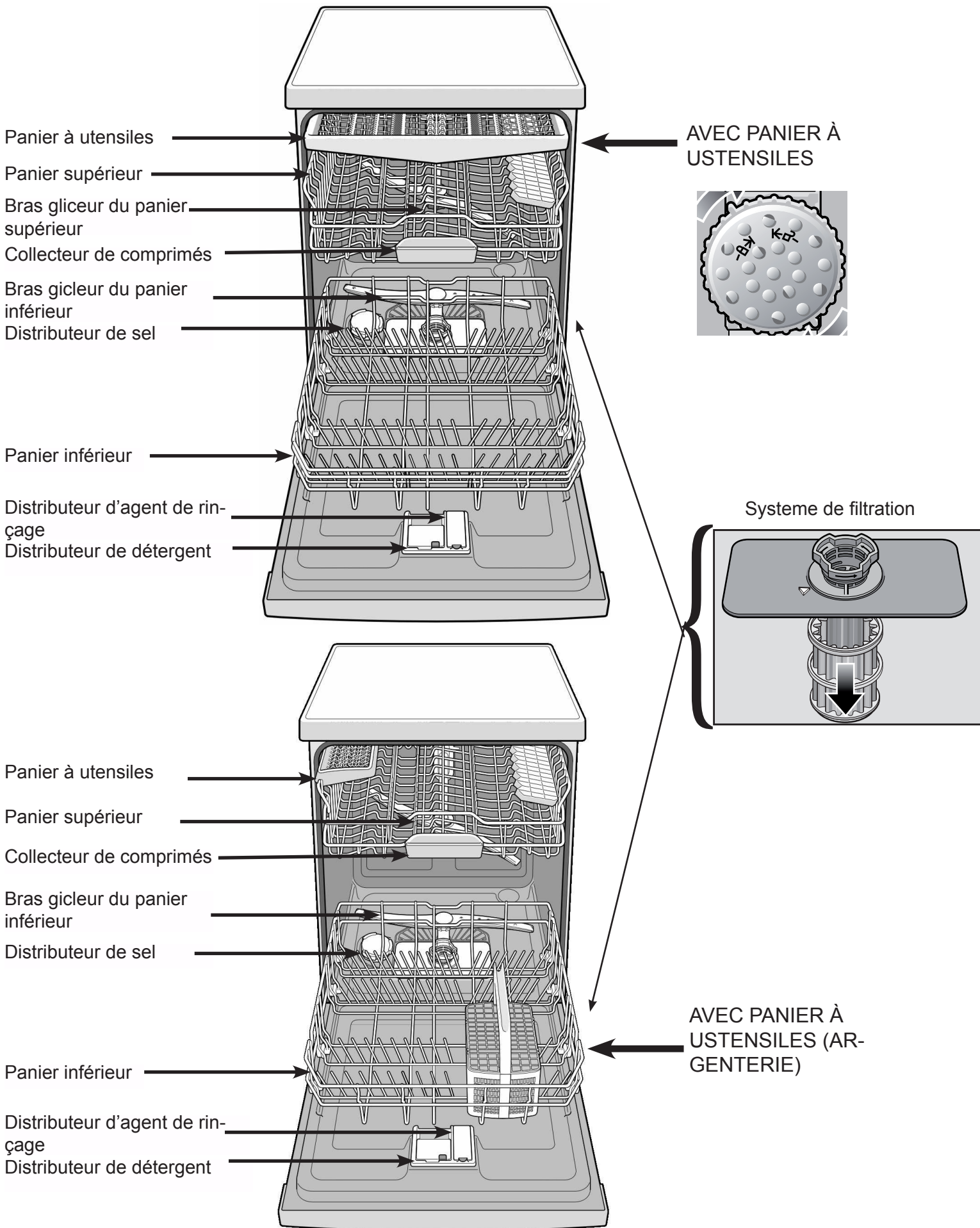
3 - Affichage numérique

4 - Marche différée

5 - Options de cycle additionnel

6 - Touche marche

Composants du lave-vaisselle



Caractéristiques et options

Pour modifier :

- Mettre l'appareil en circuit avec la touche marche-arrêt.
- Maintenir la touche "A" et presser la touche START jusqu'à ce que l'affichage indique "H:00".
- Relâcher les touches.
- Presser la touche "A" jusqu'à ce que l'affichage indique "L:00".
- Presser la touche B or C jusqu'à ce que la langue désirée s'affiche.
- Presser la touche START. La valeur est sauvegardée..

Système d'adoucisseur d'eau

Le lave-vaisselle requiert une eau douce afin d'assurer un lavage approprié. L'eau du robinet supérieure à 7dh (de la valeur établie) doit être adoucie. L'eau est adoucie avec du sel (sel régénéré) dans le système d'adoucisseur du lave-vaisselle.

La quantité de sel requise dépend du degré de dureté de l'eau (voir le tableau).

La quantité de sel distribuée peut être réglée de "H:00" a " H:07". Le sel n'est pas requis si la valeur est à H:00.

- Ouvrir la porte.
- Mettre l'appareil en circuit avec la touche marche-arrêt .
- Maintenir la touche "A" et presser la touche **START** jusqu'à ce que l'affichage indique "H:00".
- Relâcher les touches.
- Presser la touche **B** jusqu'à ce que la réglage désirée s'affiche.

tap water hardness ppm CaCO ³ /l	set value at dishwasher	use dishwasher salt
0 - 110	H:00	non
120 - 140	H:01	oui
150 - 180	H:02	oui
190 - 210	H:03	oui
220 - 290	H:04	oui
300 - 370	H:05	oui
380 - 540	H:06	oui
550 - 890	H:07	oui

Setting value from factory H:00

Pour changer le réglage,

- Presser la touche programme + ou - .
- Presser la touche START. La valeur réglée est sauvegardée.
- Fermer la porte

AVERTISSEMENT

Ne jamais remplir le distributeur de sel avec du détergent. Ceci détruira le système d'adoucisseur d'eau.

Pour empêcher la corrosion, toujours remplir de sel immédiatement avant la mise en circuit de l'appareil.

Using a water hardness test strip

	Kurz eintauchen (1 sec), leicht abschütteln und nach 1 min ablesen. 4 grün/green/vert 1 rot/red/rouge 2 rot/red/rouge 3 rot/red/rouge 4 rot/red/rouge	Dip briefly (1 sec), shake off excess water and compare after 1 min. □ □ □ □ □ □ □ □ □ ■ □ □ ■ ■ ■ □ ■ ■ ■ ■ ■ ■ ■ ■ ■	Plongez brièvement (1 sec), égouttez l'excès d'eau et comparez après 1 min. <3°dH/ <3.75°e/ <5.4°f >4°dH/ >5°e/ >7.2°f >8.4°dH/ >10.5°e/ >15.1°f >14°dH/ >17.5°e/ >25.2°f >21°dH/ >26.25°e/ >37.8°f	Teststäbchen zur Bestimmung der Wasserhärte Test stick for determination of water hardness Bandelette pour déterminer la dureté de l'eau	LOT 612
--	--	---	--	--	---------

Dip the test strip briefly into tap water for a second. Shake off excess water and compare after approx. 1 minute.	Establishing the water hardness	Setting of Water	Fill with Salt
	After 1 minute the red discoloration of the test areas will show you the correct setting.	Alignment of Softening Unit	Fill salt into the salt container

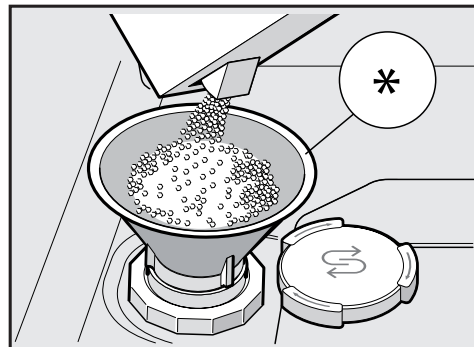
□ □ □ □ □	0	0	no
□ □ □ □ ■	1	0	no
□ □ ■ ■ ■	2	2	yes
□ ■ ■ ■ ■	3	4	yes
■ ■ ■ ■ ■	4	6	yes

Sel

Utilisation du sel

Toujours remplir de sel immédiatement avant de mettre l'appareil en circuit. Ceci permet de dissoudre le surplus de solution de sel et de ne pas corroder le réservoir de rinçage.

- Remplir le réservoir avec de l'eau (seulement requis au moment de la première mise en circuit de l'appareil).
- Ajouter du sel (pas de sel de table). L'eau est déplacée et s'écoule.
- Dès que l'indicateur de remplissage de sel s'allume sur le devant, remplir.



Détergent

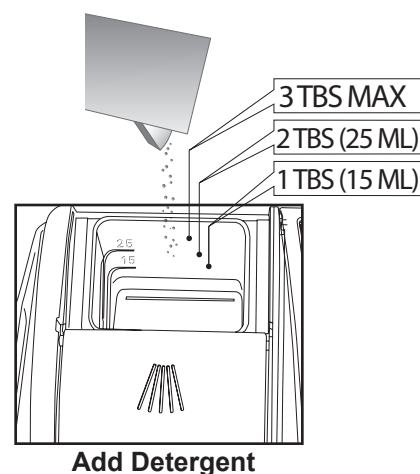
Utiliser seulement du détergent conçu pour lave-vaisselle. Pour de meilleurs résultats, utiliser du détergent en poudre.

NOTICE

Pour éviter tout dommage au lave-vaisselle, ne pas utiliser de détergent à vaisselle à la main.

Le lave-vaisselle utilise moins d'eau, alors il faut moins de détergent. Avec de l'eau douce, 1 cuillère à table (15 ml) de détergent nettoie la plupart des charges. Le distributeur de détergent est doté de lignes pour mesurer le détergent de 1 c. à table (15 ml) et 1,75 c. à table (25 ml). 3 c. à table (45 ml) de détergent remplissent complètement le distributeur.

NOTE: Pour éviter tout dommage au lave-vaisselle, ne pas trop utiliser de détergent si l'alimentation en eau est douce. Trop de détergent avec de l'eau douce cause des égratignures sur les verres.



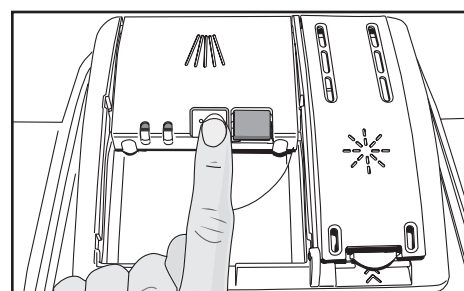
Pour fermer:

Placer le doigt comme à la figure, faire glisser vers l'avant, puis presser jusqu'à ce qu'il y ait un CLIC

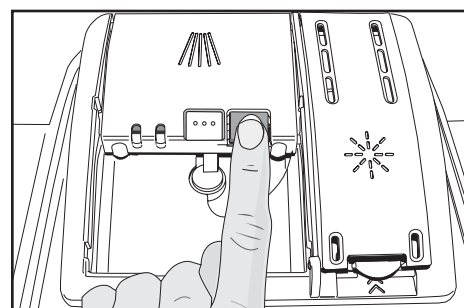
Pour ouvrir:

Pousser le bouton.

REMARQUE: si l'on ne connaît pas la dureté de l'alimentation en eau, utiliser 15 ml de détergent. Augmenter la quantité au besoin jusqu'à la quantité minimale pour nettoyer la vaisselle et les ustensiles.



Pour fermer



Pour ouvrir le couvercle


Wash Cycle	Unit	Water Type		
		Hard	Medium	Soft
Power Scrub	ml	45	45	25-45
	Tbsp	3	3	1.75 to 3
Auto Wash	ml	25-45	25	15-25
	Tbsp	1.75 to 3	1.75	1 to 1.75
Regular Wash	ml	25-45	25	15-25
	Tbsp	1.75 to 3	1.75	1 to 1.75
Delicate	ml	25	15-25	15
	Tbsp	1.75	1 to 1.75	1
Quick/Glass Care	ml	25	15-25	15
	Tbsp	1.75	1 to 1.75	1

D'agent de rinçage

Pour obtenir un séchage approprié, utiliser un agent de rinçage liquide, même si le détergent contient un agent de rinçage ou un additif de séchage.

Distributeur d'agent de rinçage

Ouvrir le distributeur d'agent de rinçage en soulevant la languette avec le pouce.

NOTE: REMARQUE : le lave-vaisselle indique si l'agent de rinçage est bas en montant le symbole  à l'affichage à rebours ou le voyant s'allume (selon le modèle).

Ajouter l'agent de rinçage dans le distributeur comme montré, jusqu'à ce que le réservoir soit plein. Essuyer tout déversement survenant lorsque le réservoir est plein.

Réglage de la quantité d'agent de rinçage

La quantité d'agent de rinçage distribuée peut être réglée de "r:00" à "r:06"

- Ouvrir la porte.
- Mettre l'appareil en circuit en pressant la touche marche-arrêt.
- Maintenir la touche "A" et presser la touche START jusqu'à ce que l'affichage indique "r:00".
- Relâcher les touches.
- Presser la touche C jusqu'à ce que la langue désirée s'affiche
- Presser la touche START. La valeur est sauvegardée.
- Fermer la porte.

Relâcher les deux touches.

Presser + ou – pour choisir le réglage désiré.

«r:00» distributeur d'agent de rinçage hors circuit.

«r:01» distributeur d'agent de rinçage au plus bas réglage.

«r:02» distributeur d'agent de rinçage au réglage bas.

«r:03» distributeur d'agent de rinçage au réglage moyen.

«r:04» distributeur d'agent de rinçage au réglage moyen élevé

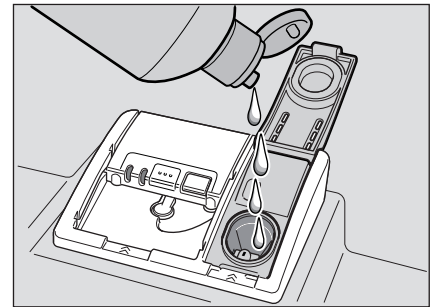
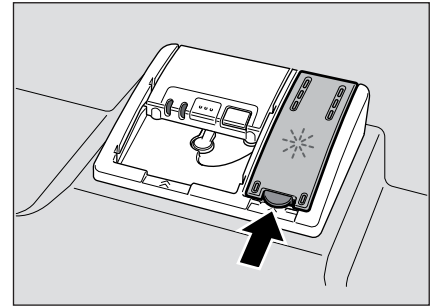
«r:05» distributeur d'agent de rinçage au réglage élevé.

«r:06» distributeur d'agent de rinçage au plus haut réglage.

Fermer l'indicateur de remplissage d'agent de rinçage

Procéder tel qu'il est décrit à Réglage de la quantité d'agent de rinçage et régler la valeur à r : 00. L'indicateur est maintenant hors circuit.

REMARQUE : ne pas changer la quantité d'agent de rinçage à moins qu'il n'y ait des rayures (choisir le réglage bas) ou des taches (choisir le réglage élevé) sur les ustensiles.



MATÉRIAUX

REMARQUE: avant d'utiliser le lave-vaisselle la première fois, vérifier l'information ci-dessous. Certains articles ne conviennent pas au lave-vaisselle et devraient être lavés à la main. Communiquer avec le fabricant de l'article en cas d'incertitude quant à savoir si un article va au lave-vaisselle ou non.

Recommandés

Aluminium: l'aluminium anodisé coloré peut s'estomper avec le temps. Les minéraux dans l'eau peuvent causer des taches ou noircir l'aluminium. Ceci peut habituellement être enlevé à l'aide d'un tampon en laine d'acier savonneux.

Porcelaine, cristal, faïence: certains articles peints à la main peuvent se décolorer, pâlir ou tacher. Laver à la main. Positionner la verrerie de façon à ce qu'elle ne s'entrechoque pas avec les autres pièces pendant le lavage.

Verre: les verres de lait peuvent jaunir.

Enduits non adhésifs: appliquer une légère couche d'huile végétale légère sur les surfaces antiadhésives après le séchage.

Plastique: s'assurer que les articles peuvent aller au lave-vaisselle.

Acier inoxydable, argent fin, argent plaqué: pour éviter la corrosion, placer les articles fabriqués de différents métaux de façon à ce qu'ils n'entrent pas en contact les uns avec les autres.

Non recommandé

Acrylique: des craquelures peuvent survenir.

Pièces collées: les adhésifs qui relient les joints comme du plastique, bois, os, cuivre, étain, etc. peuvent se défaire.

Ustensiles avec manches en os: les manches peuvent se détacher.

Fer: Laver à la main et assécher immédiatement.

Articles n'allant pas au lave-vaisselle: le lave-vaisselle est destiné à des fins de nettoyage de vaisselle et accessoires de cuisine standard SEULE MENT .

Étain, laiton, bronze: l'étain ternit. Laver à la main et assécher immédiatement.

Fer blanc: rouillera. Laver à la main et assécher immédiatement.

Bois: les bols, ustensiles et manches en bois peuvent craqueler, se voiler et perdre leur fini.

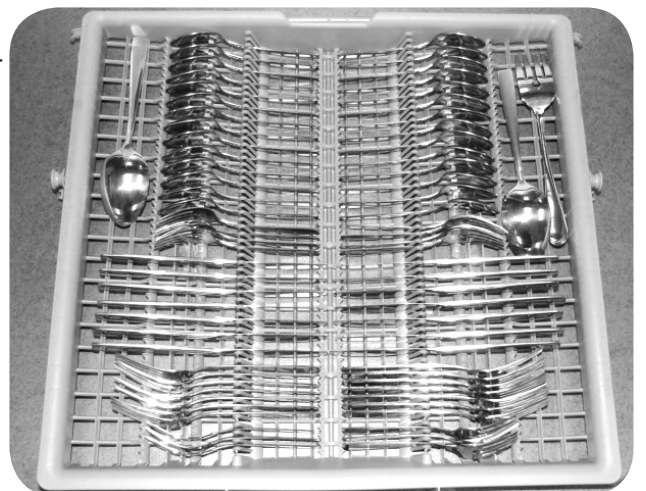
PANIER SUPÉRIEUR - 14 COUVERTS



PANIER INFÉRIEUR - 14 COUVERTS



PANIER À USTENSILES - 14 COUVERTS



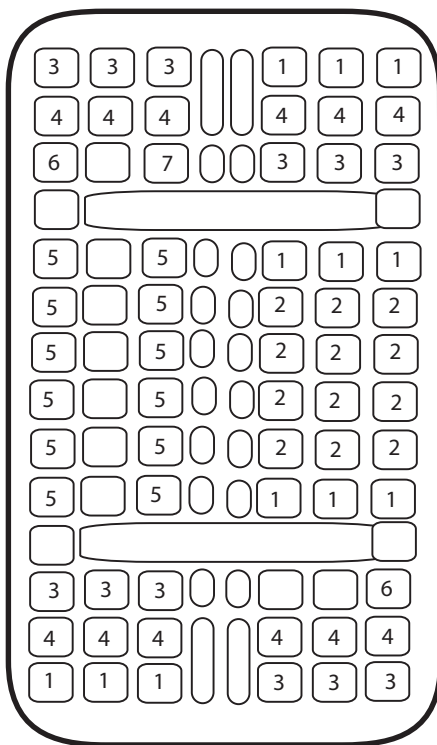
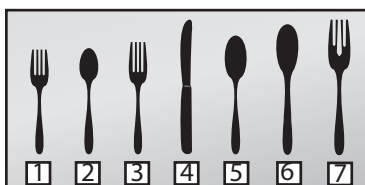
PANIER SUPÉRIEUR - COUVERTS



PANIER INFÉRIEUR - 12 COUVERTS



PANIER À USTENSILES - 12 COUVERTS



Chargement du lave-vaisselle

Ne pas prélever les articles ayant des résidus peu incrustés. Enlever les grosses particules comme os, graines, cure-dents, graisse excessive. Les articles ayant des résidus incrustés peuvent nécessiter un prétrempage.

Charger seulement des articles allant au lave-vaisselle. Charger la vaisselle dans la panier afin que les bols, pots, casseroles soient face vers le bas. Éviter d'empiler la vaisselle, éviter qu'elle soit en contact les unes avec les autres. Séparer les articles de métaux différents.

PANIER SUPÉRIEUR - 10 COUVERTS



PANIER INFÉRIEUR - 10 COUVERTS



PANIER À USTENSILES - 10 COUVERTS



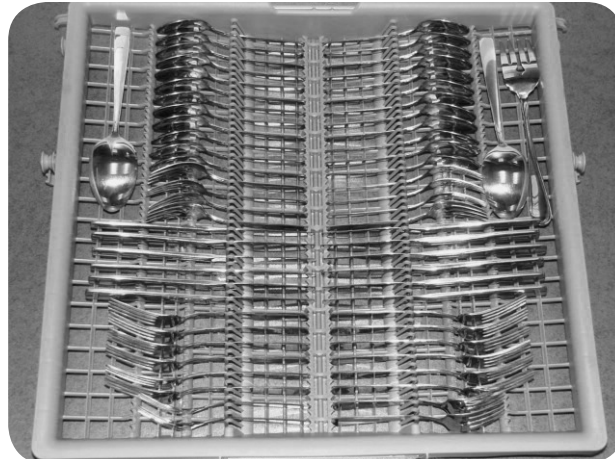
PANIER SUPÉRIEUR - 12 COUVERTS



PANIER INFÉRIEUR - 12 COUVERTS



PANIER À USTENSILES - 12 COUVERTS



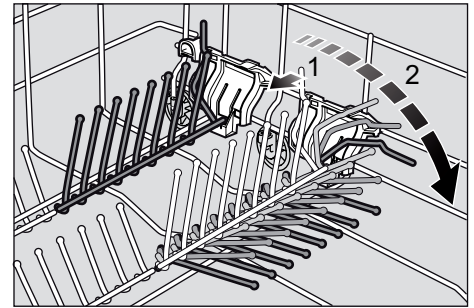
Déchargement du lave-vaisselle

Pour éviter que l'eau ne s'égoutte du panier supérieur sur les articles du panier inférieur, il est recommandé de vider d'abord le panier inférieur.

*Selon les modèles

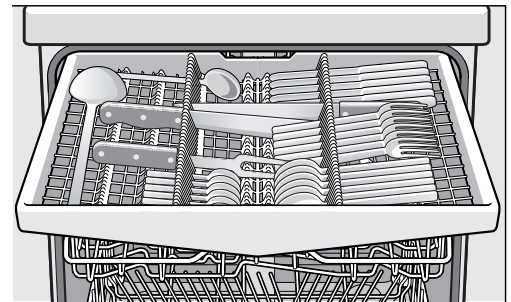
Flip Tines *

Flip Tines fold down to make loading the racks easier in some instances. Grasp the tines, release from notch, and fold the tines downward. When the top rack is loaded, push it into the dishwasher.



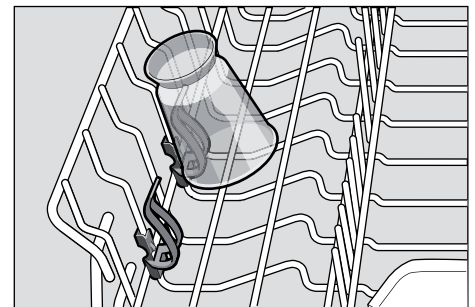
Tiroir à ustensiles *

Placer les ustensiles dans le tiroir, tel qu'il est illustré ; les séparer afin qu'ils soient plus faciles à vider. Le tiroir est amovible.



Pinces à panier *

Les articles en plastique léger, ex. : tasses, couvercles, etc. peuvent être maintenus en place à l'aide de cet accessoire.

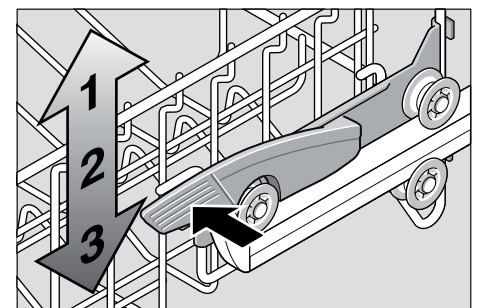


Réglage de la hauteur du panier

La hauteur du panier à ustensiles supérieur peut être réglée à 3 niveaux pour créer plus d'espace dans le panier supérieur ou inférieur.

- Tirer le panier supérieur.
- Pour abaisser le panier, pousser les leviers vers l'intérieur et le haut.
- Pour lever le panier, maintenir le panier par les côtés du bord supérieur et soulever.

Avant de réinsérer le panier, s'assurer qu'il est à la même hauteur des deux côtés. Autrement, la porte ne peut être fermée et le bras gicleur supérieur ne se branchera pas sur l'alimentation en eau.



Cycle de lavage

Lavage récurage puissant

Nettoie les articles ayant des résidus tenaces ou séchés. Ces articles peuvent nécessiter un récurage à la main ou un prétrempage.

Lavage auto

Fini les devinettes ! Les capteurs du lave-vaisselle règlent automatiquement la durée du cycle, les changements de température et d'eau en fonction de la saleté de la charge. Ce cycle convient à une charge mixte.

Lavage délicat

Pour les articles délicats, l'argenterie ou autres articles spéciaux. Toujours s'assurer que ces articles conviennent pour le lave-vaisselle. Consulter la rubrique matériaux pour plus de détails. Il peut être préférable de laver ces articles à la main

Régulier

Pour nettoyer les charges dotées de résidus peu incrustés.

Lavage rapide

Pour laver les charges peu sales.

Verrerie

Un cycle spécial à température réduite pour empêcher les rayures sur les verres.

Remarque: certains verres s'égratignent plus facilement à cause du processus de fabrication

	Power Scrub Auto Plus	Auto Wash	Delicate Wash Auto Delicate	Regular Wash	Quick Wash	Glass Care
cycle time [min]	110 - 135	105 - 129	80 - 85	95 - 119	30	70
water consumption [l]	18.1 - 23.7	12.6 - 19.8	8.3 - 13.9	5.8 - 16.9	10.3	12.9
[gal]	4.8 - 6.3	3.3 - 5.2	2.2 - 3.7	1.5 - 4.5	2.7	3.4
wash temperature [°C]	66 - 71	55 - 66	45 - 50	50 - 55	45	50
wash temperature [°F]	150 - 160	130 - 150	113 - 122	122 - 131	113	122
rinse temperature [°C]	69	69	63	52 - 69	50	60
rinse temperature [°F]	156	156	145	126 - 156	122	140
With Half Load Option						
cycle time [min]	115	95 - 105	75 - 80	90 - 99		65
water consumption [l]	17.5	8.9 - 14.5	8.3 - 11.9	10.4 - 13.5		11.7
[gal]	4.6	2.4 - 3.8	2.2 - 3.1	2.7 - 3.6		3.1
With Sanitize Option						
cycle time [min]	125 - 145	120 - 140		115 - 130		
water consumption [l]	18.1 - 23.7	12.6 - 19.8		5.8 - 16.9		
[gal]	4.8 - 6.3	3.3 - 5.2		1.5 - 4.5		
With Extra Wash Option						
cycle time [min]	145	120 - 140	95 - 105	115 - 135		85
water consumption [l]	23.7	12.6 - 19.8	8.3 - 13.9	5.8 - 16.9		12.9
[gal]	6.3	3.3 - 5.2	2.2 - 3.7	1.5 - 4.5		3.4
With EcoAction Option						
cycle time [min]	105 - 120	100 - 115	75 - 80	100 - 110		65
water consumption [l]	18.1 - 23.7	12.6 - 19.8	8.3 - 13.9	5.8 - 16.9		10.9
[gal]	4.8 - 6.3	3.3 - 5.2	2.2 - 3.7	1.5 - 4.5		2.9

Options additionnelles

* Selon le modèle

Demi-charge *

Si l'on a seulement quelques articles à laver (ex. : verres, tasses, assiettes), régler à demi-charge. Ceci permet une économie d'eau, de temps et d'énergie. Il est recommandé d'utiliser moins de détergent.

Extra Wash *

Cycle option can be selected to increase wash performance with more water used in extra sequences and at higher temperatures.

Hygiénique *

Un cycle de lavage ayant le symbole hygiénique a été testé afin de répondre aux normes strictes de durée de lavage et de température de l'eau afin d'assurer de la vaisselle et des ustensiles sanitaires.

Système de gestion de lavage EcoSense*

Un système de capteur perfectionné qui détermine le niveau de saleté de l'eau de lavage et supprime automatiquement le remplissage d'eau fraîche, au besoin. Cela permet d'économiser temps et argent ainsi que la consommation d'énergie.

Features additionnelles

Capteur d'eau

Ce capteur est un dispositif de mesure optique qui mesure la turbidité de l'eau de rinçage. Si ce capteur est activé, l'eau de rinçage propre peut être transférée au rinçage suivant et la consommation d'eau peut être réduite de 3 à 6 litres. Si la turbidité est plus élevée, l'eau est drainée et est remplacée par de l'eau fraîche. Les programmes automatiques, la température et la durée peuvent être ajustées selon la quantité de saleté.

Mise en circuit de l'appareil

- Ouvrir la porte.
- Mettre l'appareil en circuit en pressant la touche marche-arrêt.
- L'affichage du dernier programme choisi clignote.
- La durée d programme prévu clignote à l'affichage numérique.
- Presser la touche START.
- Fermer la porte. Le programme commence.

Indicateur de durée résiduelle

Lorsque le programme est sélectionné, la durée résiduelle figure à l'affichage numérique. Cette durée est déterminée pendant le programme par la température de l'eau, le nombre d'articles ainsi que la quantité de saleté. Elle peut varier selon le programme choisi.

Fenêtre d'affichage

En plus des renseignements sur le programme, une information additionnelle peut figurer à cet affichage, ex. : système de protection des verres actif. Si l'on ne désire plus ces informations, procéder comme suit:

- Ouvrir la porte.
- Presser la touche marche-arrêt.
- Maintenir la touche "A" de programme et presser START jusqu'à ce que H : 00 figure à l'affichage.
- Relâcher les 2 touches.
- Presser A jusqu'à ce que la valeur "C:01" figure à l'affichage numérique.
- Presser START. La valeur est sauvegardée.

Fermer la porte.

Marche différée

L'on peut retarder la mise en marche de 1 h à 24 h.

- Ouvrir la porte, mettre l'appareil en circuit.
- Presser la touche "A" jusqu'à ce que l'affichage de programmation passe à 01.
- Presser la touche A jusqu'à ce que la durée désirée s'affiche.
- Presser la touche START, la programmation minutée est activée.

Pour supprimer la programmation:

- Presser la touche + ou – jusqu'à ce que "00" à l'affichage.

L'on peut changer la sélection de programme en tout temps jusqu'à ce que le programme commence.

Fermer la porte.

Signal de fin de cycle

La fin de cycle est aussi indiquée par une tonalité, qui peut être modifiée comme suit :

- Ouvrir la porte, mettre l'appareil en circuit.
- Maintenir la touche "A" et presser START jusqu'à ce que l'affichage indique H:00
- Relâcher les deux touches.
- Presser + or - jusqu'à ce que b:02 figure.

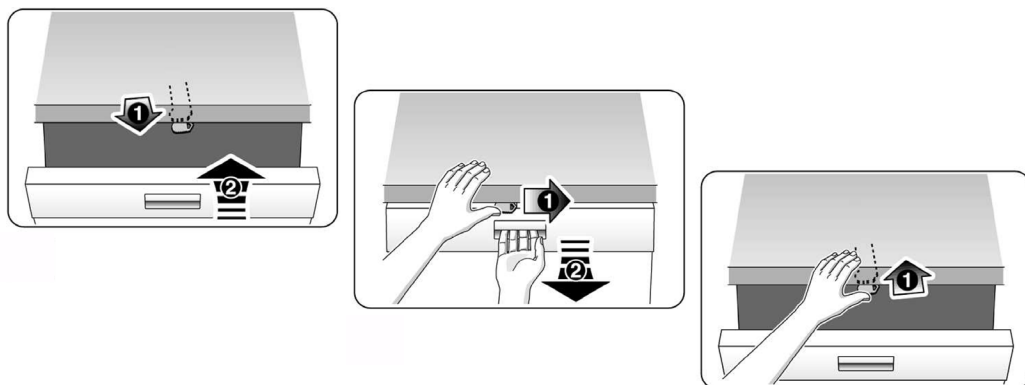
Interruption de cycle

- Ouvrir la porte.
- Presser la touche marche-arrêt. Le DEL s'éteint. Le programme est sauvegardé. Si la porte est ouverte pendant que l'appareil est branché sur une connexion en eau chaude ou s'il chauffe, laisser la porte entrouverte quelques minutes, puis la fermer. Autrement, la pression peut faire ouvrir la porte et l'eau peut éclabousser hors du lave-vaisselle.
- Pour poursuivre, presser la touche marche-arrêt.
- Fermer la porte

Mettre fin au programme

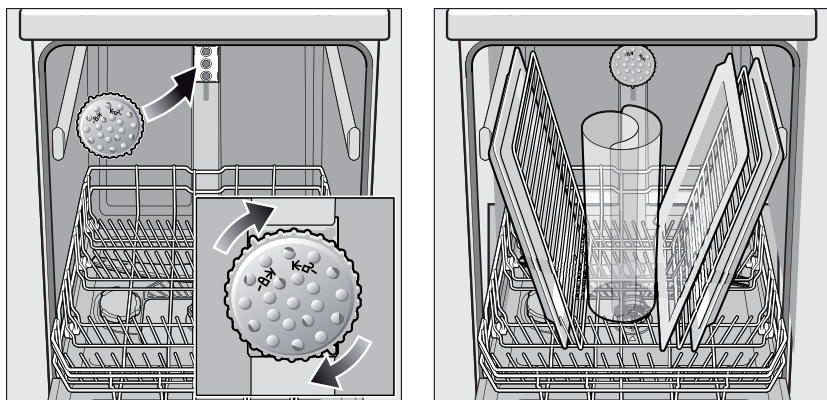
- Ouvrir la porte.
- Presser la touche START pendant environ 3 secondes jusqu'à ce que 0 : 01 figure.
- Fermer la porte. La séquence du programme dure environ 1 minute.
- L'affichage indique 0 : 00.
- Ouvrir la porte.
- Presser la touche marche-arrêt.
- Fermer la porte.

Verrouillage enfant *



L'enfant de verrouillage est conçu pour empêcher les enfants de l'ouverture du lave-vaisselle. Pour verrouiller la porte, poussez le curseur au-dessous de la poignée de porte à droite. Pour déverrouiller la porte, poussez le curseur vers la gauche.

Tête de gicleur pour plaque à cuisson *



Si un article est trop grand pour être placé dans le panier inférieur même si le panier supérieur est élevé, enlever ce dernier vide en le tirant hors du lave-vaisselle jusqu'à ce qu'il s'arrête. Tirer le panier vers le haut et jusqu'à ce que les roulettes se libèrent des guides. Mettre le panier de côté. Pousser les guides au fond du lave-vaisselle.

Insérer le gicleur pour grands articles dans la prise du gicleur du panier supérieur et le tourner dans le sens horaire pour le verrouiller en place. Placer les articles dans le panier inférieur, tel qu'il est illustré.

REMARQUE : laisser l'évent du côté droit de la cuve libre en plaçant les articles tels planches à découper et plaque à biscuits du côté gauche, au centre et à l'arrière.

Entretien

Une vérification et un entretien régulier de l'appareil permet d'éviter les problèmes et économise du temps et de l'argent.

Conditions générales

Vérifier s'il y a de la graisse ou des résidus sur le bras gicleur. S'il y a des résidus :

- Ajouter du détergent dans le compartiment à détergent.
- Faire fonctionner l'appareil sans charge à la température de rinçage la plus élevée.

Nettoyer l'appareil avec un détergent conçu pour les lave-vaisselle.

- Nettoyer régulièrement le joint de la porte avec un chiffon humide

Ne jamais utiliser un nettoyeur à vapeur avec le lave-vaisselle. Le fabricant n'est pas responsable des dommages encourus.

Essuyer régulièrement le devant de l'appareil avec un chiffon humide (une solution d'eau et de détergent est adéquate).

Ne pas utiliser d'éponge à surface rugueuse ni de détergent abrasif car ils peuvent endommager les surfaces.

Appareil en acier inoxydable : pour éviter la corrosion, ne pas utiliser de chiffon éponge, ni laver plusieurs fois avant d'utiliser l'appareil la première fois.

Filtres

Les filtres permettent de garder les objets étrangers de l'eau de rinçage loin de la pompe. Ils peuvent parfois obstruer les filtres.

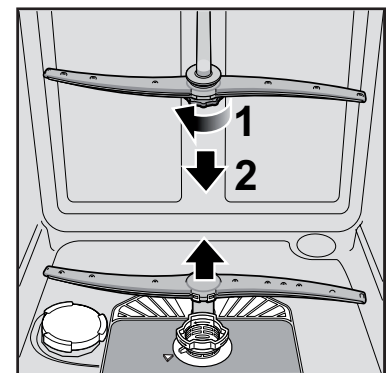
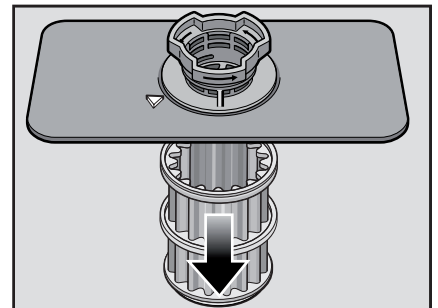
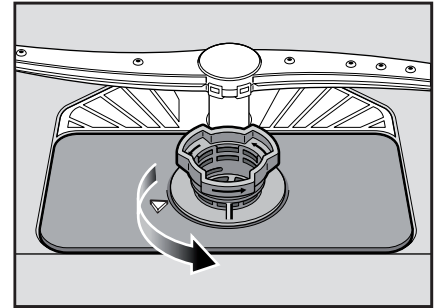
Le système de filtre comprend une crépine, un filtre plat fin et un micro-filtre.

- Après chaque lavage, vérifier les filtres.
- Dévisser le filtre cylindrique tel qu'il est illustré et le sortir.
- Enlever tout résidu et le passer à l'eau courante.
- Réinstaller le système de filtre et s'assurer que les flèches sont à l'opposées l'une de l'autre une fois le système de filtre fermé

Bras gicleurs

Du calcaire ou des contaminants dans l'eau de rinçage peuvent obstruer les embouts et les roulements des bras gicleurs.

- Vérifier si les embouts des bras gicleurs sont obstrués.
- Dévisser le bras gicleur supérieur.
- Enlever le bras gicleur inférieur

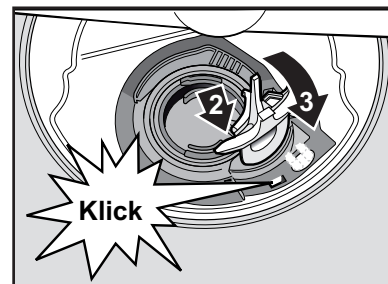
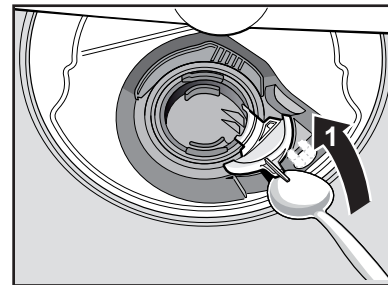


Pompe d'eau usée

- Les résidus d'aliments de l'eau de rinçage non captés par les filtres peuvent obstruer la pompe à eau usée. L'eau de rinçage ne peut être pompée et recouvre le filtre.

Dans ce cas :

- Débrancher l'appareil de l'alimentation électrique.
- Enlever les filtres.
- Vider l'eau à l'aide d'une éponge, au besoin.
- Avec une cuillère, enlever le couvercle de la pompe, tel qu'il est illustré, ensuite prendre le couvercle par la languette et tirer vers le haut jusqu'à résistance, puis le sortir.
- Vérifier l'intérieur du compartiment et enlever tout objet étranger.
- Remettre le couvercle à sa position d'origine.
- Installer le filtre.



Aide

Le lave-vaisselle peut parfois présenter des problèmes non reliés à un mauvais fonctionnement de l'appareil. L'information suivante peut aider à résoudre le problème sans avoir à faire un appel de service.

Problème	Cause	Action à prendre
Le lave-vaisselle ne se met pas en marche	<ol style="list-style-type: none"> 1. La porte est mal enclenchée 2. L'appareil n'est pas en circuit 3. L'appareil ne se remet pas ou le cycle précédent n'est pas complété 4. Mise en marche différée activée 5. Interruption d'alimentation électrique ou fusible grillé 6. Verrouillage enfant activé (certains modèles) 7. La porte a peut-être été fermée sans avoir sélectionné un cycle 8. L'alimentation en eau n'est pas ouverte. 	<ol style="list-style-type: none"> 1. Fermer complètement la porte. 2. Presser l'interrupteur principal pour mettre ne circuit 3. Pour la remise, voir «annuler ou changer un cycle» 4. Pour la remise, voir «marche différée» 5. Vérifier le coupe-circuit 6. Désactiver le verrouillage enfant. Voir «verrouillage enfant» 7. Choisir un cycle et fermer la porte 8. Vérifier et ouvrir l'alimentation en eau
Le lave-vaisselle fait une tonalité (signal de fin de cycle)	Réglage par défaut en usine avisant que le cycle est complété. Cette fonction peut être désactivée.	Pour régler le volume ou désactiver, voir «signal de fin de cycle»
L'affichage ne s'allume pas ni les voyants du panneau	<ol style="list-style-type: none"> 1. Fusible grillé ou coupe-circuit déclenché 2. Porte mal fermée ou enclenchée <p>Remarque : pour les modèles avec contrôles sur le dessus de la porte, l'affichage ne s'allume que lorsque la porte est ouverte et les contrôles visibles.</p>	<ol style="list-style-type: none"> 1. Vérifier le fusible (le remplacer au besoin) et le coupe-circuit (le réenclencher au besoin). 2. S'assurer que la porte est bien enclenchée
Le lave-vaisselle semble fonctionner longtemps	<ol style="list-style-type: none"> 1. L'eau de remplissage n'est pas assez chaude 2. La durée du cycle peut varier selon la saleté et la température de l'eau 3. Le distributeur d'agent de rinçage est vide 4. L'appareil est branché sur l'alimentation en eau froide. <p>Remarque : voir «données au tableau de cycles» concernant la durée d'un cycle</p>	<ol style="list-style-type: none"> 1. Avant de commencer un cycle, faire couler l'eau chaude à l'évier près du lave-vaisselle. 2. Les capteurs du lave-vaisselle augmentent automatiquement la durée du cycle afin d'en assurer un bon lavage selon la quantité de saleté 3. Ajouter de l'agent de rinçage 4. S'assurer que l'appareil est branché sur l'alimentation en eau chaude.
La vaisselle n'est pas suffisamment propre	<ol style="list-style-type: none"> 1. Le mouvement du bras gicleur est obstrué 2. Les embouts de bras gicleurs sont obstrués 3. Mauvais détergent utilisé 4. Les filtres peuvent être obstrués 5. La vaisselle est empilée ou articles trop près des uns des autres 6. Le cycle choisi ne convient pas à l'état de la charge 	<ol style="list-style-type: none"> 1. S'assurer que le mouvement du bras n'est pas obstrué en le tournant à la main 2. Enlever le bras gicleur et le nettoyer ; voir «vérifier et nettoyer les embouts de bras gicleurs» à la rubrique entretien 3. Augmenter ou diminuer le détergent selon la dureté de l'eau. Voir «ajout de détergent et d'agent de rinçage» 4. Nettoyer le filtre. Voir «vérifier et nettoyer le système de filtre» 5. Réarranger la charge afin que les jets d'eau atteignent tous les articles, voir aussi «préparation et chargement» 6. Voir «cycles de lavage» à la rubrique fonctionnement
La vaisselle n'est pas assez sèche	<ol style="list-style-type: none"> 1. Le distributeur d'agent de rinçage est vide (voyant activé) 2. Mauvais chargement de la vaisselle 3. Le cycle choisi ne comprend pas le séchage <p>Remarque : le plastique et le téflon ne sèchent pas autant que les autres articles à cause de leurs propriétés inhérentes.</p>	<ol style="list-style-type: none"> 1. Ajouter de l'agent de rinçage pour améliorer le séchage 2. Réarranger la charge. Voir «préparation et chargement» 3. Le cycle de rinçage et attente n'inclut pas le séchage <p>Remarque : certains modèles offrent des options de chaleur additionnelle pour améliorer le séchage. Voir «options de cycles de lavage» à la rubrique fonctionnement</p>

Problem	Cause	Action
Le lave-vaisselle ne se remplit pas d'eau	<ol style="list-style-type: none"> 1. Système d'alimentation en eau obstrué 2. Cycle de lavage précédent non terminé 3. Marche différée activée 	<ol style="list-style-type: none"> 1. S'assurer que la soupape d'alimentation en eau (habituellement située sous l'évier de la cuisine) est ouvert et qu'il n'y a pas d'obstruction 2. Voir «annuler ou changer un cycle» 3. Annuler la marche différée ou attendre que la durée différée soit complétée. Voir «marche différée»
Fuites d'eau	<ol style="list-style-type: none"> 1. Savon 2. Joint de porte hors de sa rainure 3. Événement de condensation obstrué 4. Mauvaise installation 	<ol style="list-style-type: none"> 1. Mauvais type de détergent causant de la mousse et des fuites. Utiliser seulement ceux conçus pour les lave-vaisselle. Si la mousse persiste, ajouter une c. à table d'huile végétale au fond du lave-vaisselle et actionner le cycle désiré. 2. S'assurer que le joint est bien en place. 3. S'assurer que l'événement n'est pas obstrué. Voir «charger de grands articles» à la rubrique préparation et chargement 4. Faire vérifier l'installation par un technicien qualifié (alimentation en eau, système de drainage, niveau, plomberie)
Taches dans la cuve	<ol style="list-style-type: none"> 1. Les taches à l'intérieur du lave-vaisselle sont causées par une eau dure 2. Argenterie en contact avec la cuve 	<ol style="list-style-type: none"> 1. Du jus de citron concentré peut réduire l'accumulation des taches causées par l'eau calcaire. Effectuer un cycle normal jusqu'au drainage, interrompre le cycle, mettre une tasse de 8 onces de solution de jus de citron concentré dans le panier supérieur et terminer le cycle. Ceci peut être fait périodiquement. 2. Ensure that the silverware does not make contact with the tub while running a cycle.
Rayures sur les verres ou résidus sur la vaisselle	Mauvais réglage de l'agent de rinçage	Selon la dureté de l'eau, régler le distributeur d'agent de rinçage. Voir «ajout de détergent et d'agent de rinçage» pour un réglage manuel
Panneau avant décoloré ou avec marques	Utilisation d'un nettoyant abrasif	Utiliser un détergent doux avec un chiffon doux
Bruit pendant le lavage	La vaisselle est mal placée	Les bruits de circulation d'eau sont normaux, mais si un article semble frapper un autre ou le bras gicleur, voir «préparation et chargement» pour l'emplacement de la vaisselle
Couvercle du distributeur de détergent ne s'ouvrant pas	<ol style="list-style-type: none"> 1. Mauvais fonctionnement du couvercle 2. Cycle précédent non terminé, remis ou interrompu 	<ol style="list-style-type: none"> 1. Voir «ajout de détergent et d'agent de rinçage» concernant l'ouverture et la fermeture du couvercle 2. Voir «annuler ou changer un cycle»
Impossible de choisir le cycle désiré	Cycle précédent non terminé	Voir «annuler ou changer un cycle»

Service à la clientèle

Le lave-vaisselle Bosch ne requiert aucun autre entretien que celui décrit à la rubrique entretien. Si le lave-vaisselle présente un problème, avant d'effectuer un appel de service, consulter la rubrique aide. Si un service est nécessaire, communiquer avec le marchand ou l'installateur ou un centre de service autorisé. Ne pas tenter de réparer l'appareil. Tout service effectué par une personne non qualifiée peut annuler la garantie

Si l'on éprouve des problèmes avec le lave-vaisselle Bosch, et que le service n'est pas satisfaisant, suivre les étapes ci-dessous (dans l'ordre donné) jusqu'à ce que le problème soit corrigé de façon satisfaisante:

1. Communiquer avec l'installateur ou un centre de service autorisé Bosch dans la région.
2. Communiquer avec le service à la clientèle du site www.boschappliances.com
3. Écrire à l'adresse ci-dessous

BSH Home Appliances Corporation
5551 McFadden Avenue
Huntington Beach, CA 92649

1. Téléphoner au 1-800-944-2904

S'assurer d'inclure l'information du modèle indiquée ci-dessous ainsi qu'une explication du problème et de la date du début.

Les numéros de modèle et de série sont situés sur la plaque signalétique, coin droit de la porte du lave-vaisselle, figure 31..

De plus, si par écrit, indiquer un numéro de téléphone de jour.

Faire une copie de la facture et la conserver dans ce guide. Le consommateur est responsable de la preuve d'achat pour obtenir un service sous garantie.

Information du modèle :

- Numéro de modèle
- Numéro de série
- Date d'achat
- Date d'installation



CAUTION

Le retrait de tout couvercle ou le fait de tirer le lave-vaisselle hors de son espace peut exposer des connexions d'eau chaude, d'alimentation électrique ainsi que des bords tranchants.

Énoncé de la garantie limitée des lave-vaisselle Bosch

Couverture de la garantie : la garantie limitée fournie par BSH Home Appliances («Bosch») dans cet énoncé de garantie limitée s'applique seulement aux lave-vaisselle Bosch («produit») vendu au premier acheteur, en autant que le produit ait été acheté : 1) pour une utilisation normale résidentielle (non commerciale), et qu'en fait en tout temps a été utilisé pour un usage domestique normal ; 2) nouveau au détail (non en montre, tel quel ou un retour), qu'il n'est pas destiné à la revente ni à un usage commercial et 3) aux États-Unis ou au Canada et qu'il est demeuré en tout temps dans le pays où l'appareil a été acheté. Les garanties données ici s'appliquent seulement au premier acheteur du produit et ne sont pas transférables.

- S'assurer de retourner la carte d'enregistrement ; quoiqu'elle n'est pas nécessaire pour la couverture de garantie, cela permet à Bosch de communiquer avec l'utilisateur dans l'éventualité où il y aurait un problème de sécurité ou un rappel de produit.

Durée de la garantie : Bosch garantit que le produit ne présente aucun défaut de matériaux ou de fabrication pour une période de trois-cent-soixante-cinq (365) jours (1 an) à compter de la date d'achat. La durée commence à la date d'achat et ne sera pas allongée, prolongée, interrompue pour quelle que raison que ce soit. Les frais de main-d'œuvre et d'expédition sont compris dans la couverture de base.

Garantie limitée prolongée : Bosch offre également ces garanties limitées additionnelles.

- Garantie limitée de 2 ans : Bosch réparera ou remplacera tout composant ayant un défaut de matériaux ou de fabrication (excluant les frais de main-d'œuvre).
- Garantie limitée de 5 ans sur les pièces électroniques : Bosch réparera ou remplacera tout microprocesseur ou panneau de circuits imprimés Bosch présentant un défaut de matériaux ou de fabrication (excluant les frais de main-d'œuvre).
- Garantie limitée de 5 ans sur les paniers : Bosch remplacera le panier supérieur ou inférieur (excluant les composants du panier), si le panier présente un défaut de matériaux ou de fabrication (excluant les frais de main-d'œuvre).
- Garantie à vie contre la perforation de l'acier inoxydable causée par la rouille : Bosch remplacera le lave-vaisselle par le même modèle ou un modèle semblable, équivalent ou mieux, si la doublure intérieure présente une perforation par la rouille (excluant les frais de main-d'œuvre). Bosch remplacera la porte en acier inoxydable si elle présente des perforations par la rouille (excluant les frais de main-d'œuvre).

La durée commence à la date d'achat et ne sera pas allongée, prolongée, interrompue pour quelle que raison que ce soit. Les frais de main-d'œuvre et d'expédition sont compris dans la couverture de base.

Réparation ou remplacement comme solution exclusive : pendant la période de garantie, Bosch ou un de ses centres de service autorisés réparera le produit sans frais (sujet à certaines limitations indiquées dans le présent document), si le produit présente un défaut de fabrication ou de matériaux. Si des tentatives raisonnables pour réparer le produit sont vaines, alors Bosch remplacera le produit (un modèle supérieur peut être disponible, à la seule discrétion de Bosch, moyennant des frais additionnels). Toutes les pièces ou les composants enlevés demeurent la seule propriété de Bosch. Toute pièce et tout composant réparés doit être identique à la pièce d'origine à des fins de cette garantie et la garantie ne sera pas prolongée en regard de telles pièces. La seule responsabilité de Bosch est de faire réparer le produit défectueux par un centre de service autorisé pendant les heures d'affaires normales. Pour la sécurité et éviter des dommages à la propriété, Bosch recommande fortement de ne pas réparer le produit soi-même, par une personne non qualifiée ; Bosch ne sera pas tenu responsable des réparations ou du travail effectué par une personne non autorisée. Si le consommateur désire faire réparer par une personne autre qu'une personne autorisée, CETTE GARANTIE EST AUTOMATIQUEMENT NULLE ET NON AVENUE. Les centres de service autorisés sont les personnes ou les compagnies qui ont été spécialement formées sur les produits Bosch et qui possèdent, selon l'opinion de Bosch, une réputation supérieure pour le service à la clientèle et la capacité technique (il est à noter qu'elles sont des entités indépendantes et non des agents, partenaires, affiliations ou représentants de Bosch). Nonobstant ce qui suit, Bosch ne sera pas

tenu responsable d'aucune façon si le produit est situé dans une région éloignée (supérieure à 100 miles d'un centre de service autorisé) ou n'est pas accessible de façon raisonnable, dans un environnement hasardeux, dangereux ; dans une telle éventualité, à la demande du consommateur, Bosch pourrait payer les frais de main-d'œuvre et de pièces et expédier les pièces à un centre de service autorisé le plus près, mais le consommateur serait entièrement responsable pour toute durée de déplacement et autres frais spéciaux encourus par le centre de service, en autant qu'il accepte l'appel de service.

Produit hors garantie : Bosch n'a aucune obligation, par loi ou autre, d'offrir toute concession, incluant réparation, prorata ou remplacement de produit une fois la garantie expirée.

Exclusions à la garantie : la garantie décrite dans le présent document exclut tout défaut ou dommage non directement relié à Bosch, incluant sans limitation, un ou plusieurs de ce qui suit : 1) utilisation du produit autre qu'un usage normal, habituel et de la façon destinée (incluant sans limitation toute forme d'utilisation commerciale, d'utilisation ou de rangement d'un produit pour l'intérieur à l'extérieur, utilisation du produit de concert avec un transporteur aérien ou marin) ; 2) mauvaise conduite, négligence, mauvaise utilisation, abus, accidents, fonctionnement inadéquat, mauvais entretien, installation inadéquate ou négligente, altération, manquement d'observer les instructions de fonctionnement, mauvaise manipulation, service non autorisé (incluant réparation par le consommateur ou exploration du fonctionnement interne du produit) ; 3) ajustement, modification ou altération de toute sorte ; 4) manquement à la conformité des normes applicables fédérales, provinciales, municipales ou électrique du pays, codes de plomberie et/ou de construction, réglementation ou lois, incluant le manquement d'installer le produit en stricte conformité avec les codes et réglementations de construction et d'incendie locaux ; 5) usure ordinaire, déversements d'aliments, liquide, accumulation de graisse ou autres substances accumulées dans, sur ou autour du produit ; et 6) toute force ou tout facteur externe, élémentaire et/ou environnemental, incluant sans limitation, pluie, vent, sable, inondation, incendie, coulée de boue, gel, humidité excessive et exposition prolongée à l'humidité, foudre, surtension, problème de structure autour de l'appareil et actes de Dieu. En aucun cas, Bosch ne sera tenu responsable des dommages survenus à la propriété, incluant les armoires, planchers, plafonds et autres objets ou structures autour du produit. Également exclus de la garantie, égratignures, encoches, enfoncement et dommages esthétiques sur les surfaces externes ou les pièces exposées ; produit sur lequel le numéro de série a été modifié, altéré, effacé, enlevé ; appel de service pour enseigner le fonctionnement du produit ou les visites où il n'y a aucun problème avec le produit ; correction de problèmes d'installation (le consommateur est seul responsable pour toute structure et tout réglage du produit, incluant l'électricité, la plomberie et autres connexions nécessaires, pour un plancher/fondation appropriée, et pour toute modification incluant, sans limitation, armoire, mur, plancher, tablette, etc.) et la remise de coupe-circuit ou remplacement de fusible.

SELON LA PORTÉE PERMISE PAR LA LOI, CETTE GARANTIE DONNE DES SOLUTIONS EXCLUSIVE RELATIVEMENT AU PRODUIT, QUE LA RÉCLAMATION SURVIENNE PAR CONTRAT OU TORT (INCLUANT RESPONSABILITÉ STRICTE OU NÉGLIGENCE) OU AUTRE. CETTE GARANTIE EST EN LIEU DE TOUTE AUTRE GARANTIE, EXPRESSE OU IMPLICITE, TOUTE GARANTIE PAR LOI, À DES FINS DE COMMERCIALISATION OU À DES FINS PARTICULIÈRES, OU AUTRE, SERA EN VIGUEUR SEULEMENT POUR LA PÉRIODE EFFECTIVE DE LA GARANTIE LIMITÉE EXPRESSE. EN AUCUN CAS, LE FABRICANT NE PEUT ÊTRE TENU RESPONSABLE DES DOMMAGES ACCESSOIRES, SPÉCIAUX, INDIRECTS, PERTES D'AFFAIRES, ET/OU DOMMAGES PUNITIFS, PERTES, FRAIS INCLUANT SANS LIMITATION LE MANQUEMENT AU TRAVAIL, REPAS À L'HÔTEL ET/OU AU RESTAURANT, FRAIS DE REMODELAGE SURVENUS À CAUSE DE DOMMAGES DIRECTS DÉFINITIVEMENT CAUSÉS EXCLUSIVEMENT PAR BOSCH OU AUTRE. CERTAINS ÉTATS NE PERMETTENT PAS L'EXCLUSION OU LA LIMITATION DES DOMMAGES ACCESSOIRES OU INDIRECTS ET NE PERMETTENT PAS LA LIMITATION SUR LA DURÉE D'UNE GARANTIE IMPLICITE, PAR CONSÉQUENT LES LIMITATIONS SUSMENTIONNÉES PEUVENT NE PAS S'APPLIQUER. CETTE GARANTIE DONNE DES DROITS SPÉCIFIQUES ET IL PEUT Y EN AVOIR D'AUTRES QUI VARIENT D'UN ÉTAT À L'AUTRE. Aucune tentative de modifier, changer ou amender cette garantie ne peut être effective sans le consentement écrit autorisé par un officier de BSH.

Pour un service sous garantie : POUR OBTENIR UN SERVICE SOUS GARANTIE, COMMUNIQUER AVEC UN CENTRE DE SERVICE AUTORISÉ BOSCH DANS LA RÉGION OU TÉLÉPHONER AU 800-944-2904 ou écrire à Bosch au : BSH Home Appliances, 5551 McFadden Avenue, Huntington Beach, CA 92649

¡Felicidades y Gracias de parte de Bosch!

Gracias por haber escogido una lavadora de platos Bosch. Usted se ha unido a muchos clientes quienes exigen un rendimiento silencioso y excepcional de su lavadora de platos.

Este manual ha sido escrito tomando en cuenta su seguridad y comodidad y la información incluida es muy importante. Le aconsejamos que lea este manual antes de utilizar su lavadora de platos por primera vez.

Para averiguar aún más detalles acerca de su lavadora de platos y los accesorios disponibles, además de muchos otros aparatos domésticos de la alta calidad Bosch, visite nuestro sitio Web a www.bosch-appliances.com.

Por favor comuníquese con nosotros en caso que tenga preguntas o comentarios. Nos puede llamar al número telefónico 1-800-944-2904, o nos puede escribir a

BSH Home Appliances, Corp.
5551 McFadden Avenue
Huntington Beach, CA 92649

Instrucciones de Seguridad Importante	46
Componentes de la lavadora de platos	48
Características de la lavadora de platos	47-48
Sal	50
Detergente.....	50
Agente de enjuague	51
Materiales de vajillas	52
Cargar la lavadora de platos	53-54
Secado de la vajilla.....	56
Opciones adicionales	57-59
Cuidado y mantenimiento.....	60
Autoayuda	61-62
Servicio al cliente.....	63
Declaratoria de garantías	64

AVISO

Nunca use productos de limpieza con vapor para limpiar su lavadora de platos. El fabricante no será responsable de posibles daños o consecuencias.

Nunca use químicos agresivos para limpiar su lavadora de platos. ¡Algunos productos de limpieza que contienen cloruro pueden dañar su lavadora de platos y constituyen un riesgo para la salud!

Recomendamos altamente que el usuario final se familiarice con el procedimiento para apagar el suministro del agua entrante y con el procedimiento para apagar la fuente de alimentación eléctrica. Consulte las Instrucciones de Instalación o hable con su instalador para obtener más información.

ADVERTENCIA

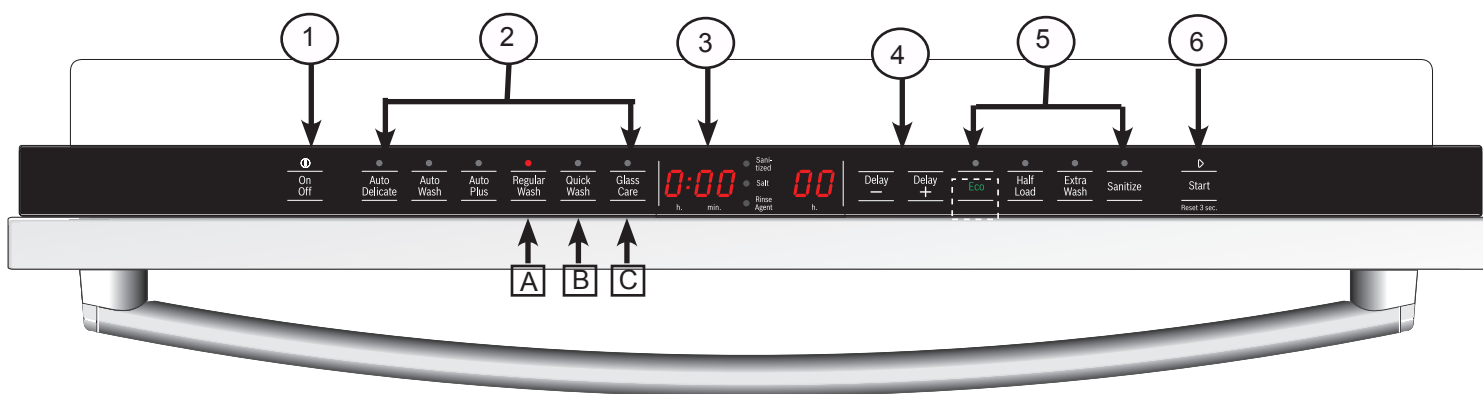
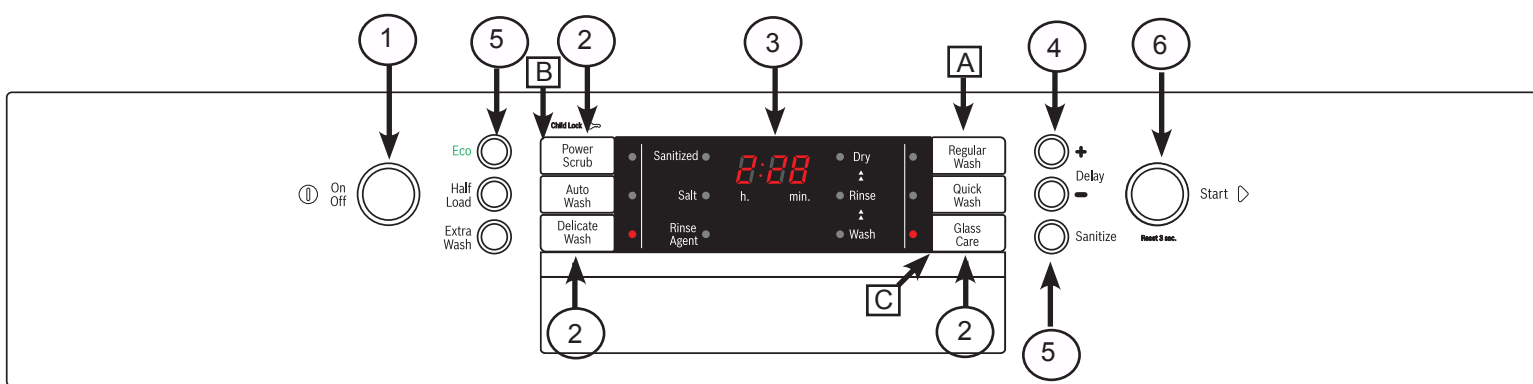
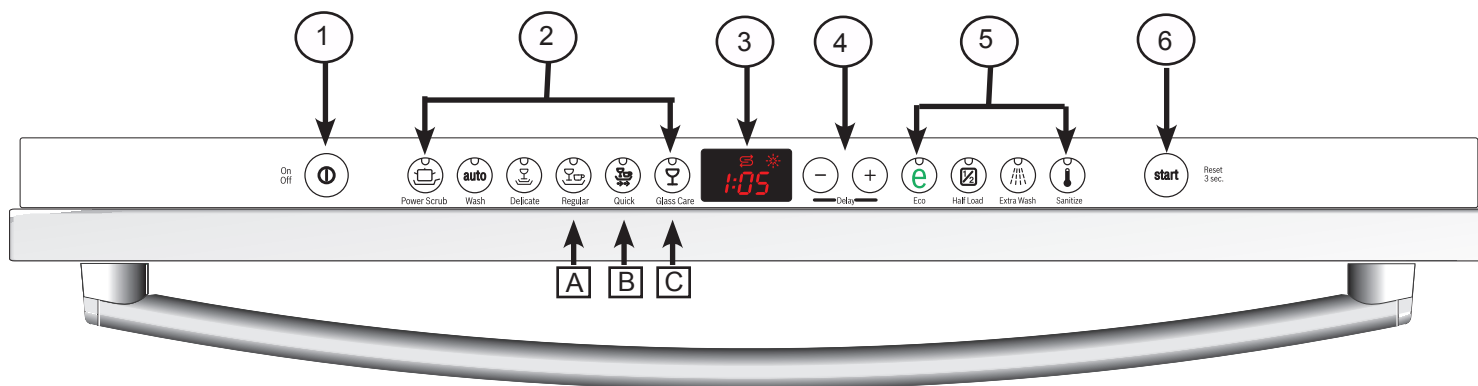
El mal uso de la lavadora de platos puede causar lesiones serias o la muerte. No use la lavadora de platos cubierta por este manual de otra forma o para algún otro propósito que no sea explicado en las siguientes páginas.

El empleo de técnicos de servicio no calificados o el uso de refacciones no originales puede dañar el producto severamente y/o causar lesiones. Todas las reparaciones deben ser realizadas por un técnico de servicio calificado utilizando solamente refacciones originales de fábrica.

Cuando se instala incorrectamente la alimentación eléctrica para su lavadora de platos cubierta en este manual o cuando la lavadora de platos ha sido conectada mal a tierra, existe el riesgo de sufrir una descarga eléctrica. No use la lavadora de platos cubierta en este manual, si usted no está seguro que la alimentación eléctrica ha sido instalada correctamente o que la lavadora de platos ha sido aterrizada correctamente.

Advertencia: Para reducir el riesgo de sufrir una descarga eléctrica, un fuego o lesiones serias, observe lo siguiente:

- Este aparato debe estar puesto a tierra por medio de un sistema permanente de cableado metálico o de un dispositivo conductor de puesta a tierra instalado con los conductores de circuito y conectado a la borna de la puesta a tierra del equipo o de la lavadora de platos. Consulte las **Instrucciones de Instalación** que acompañan a esta lavadora de platos para averiguar más información acerca de los requisitos eléctricos.
- Utilice esta lavadora de platos únicamente para realizar la función intencionada que es la de lavar la vajilla y los utensilios de cocina en su hogar.
- Esta lavadora de platos incluye **Instrucciones de Instalación** así como este **Manual de Uso y Cuidado**. Lea y comprenda todas las instrucciones antes de utilizar la lavadora de platos.
- Utilice únicamente detergentes o agentes de enjuague recomendados para uso en la lavadora de platos y manténgalos fuera del alcance de niños.
- A medida que cargue los artículos para lavar:
 - Acomode los artículos filosos de modo que no dañen el sello de la puerta.
 - Cargue los cuchillos y otros utensilios filosos **CON EL MANGO HACIA ARRIBA** para reducir el riesgo de cortarse.
- No lave artículos de plástico a menos de que indiquen “a prueba de lavadora de platos” [dishwasher safe]. En cuanto a los productos de plástico que no lleven tal aviso, consulte al fabricante para averiguar sus recomendaciones.
- No opere su lavadora de platos a menos de que todos los paneles del gabinete estén instalados correctamente.
- No intente alterar, modificar o sobrecontrolar los controles o los interruptores de seguridad eléctricos.
- No abuse ni se siente o se pare en la puerta o en las rejillas para trastes de la lavadora de platos.
- Con el fin de reducir el riesgo de heridas, no permita que niños jueguen adentro o encima de la lavadora de platos.
- Cuando los niños llegan a una edad suficiente para operar el aparato, es la responsabilidad legal de los padres o de los tutores legales asegurar que personas calificadas los instruyan sobre prácticas seguras.
- Bajo ciertas condiciones, el gas hidrógeno podría acumularse en un sistema de agua caliente que no se ha usado durante por lo menos dos semanas. El gas hidrógeno es explosivo. Antes de usar una lavadora de platos conectado a un sistema de agua caliente que no ha sido operada por dos o más semanas, abra todas las llaves de agua caliente y permita que corra el agua por algunos minutos. De este modo se dispersa el gas hidrógeno que se acumuló. Ya que el gas podría explotar, no fume ni prenda una llama durante este proceso.
- Quite la puerta del compartimiento de lavado (la tina) antes de poner la lavadora de platos fuera de servicio o cuando la deseche.
- Para no dañar el piso y evitar la posible formación de moho, no permita áreas húmedas alrededor o abajo de la lavadora de platos.
- Proteja su lavadora de platos de los elementos. Protéjala de la congelación para evitar posibles daños a la válvula de llenado. La garantía no cubre daños causados por la congelación.



1 - Botón On/Off (Prender/Apagar)

2 - Ciclos de lavado

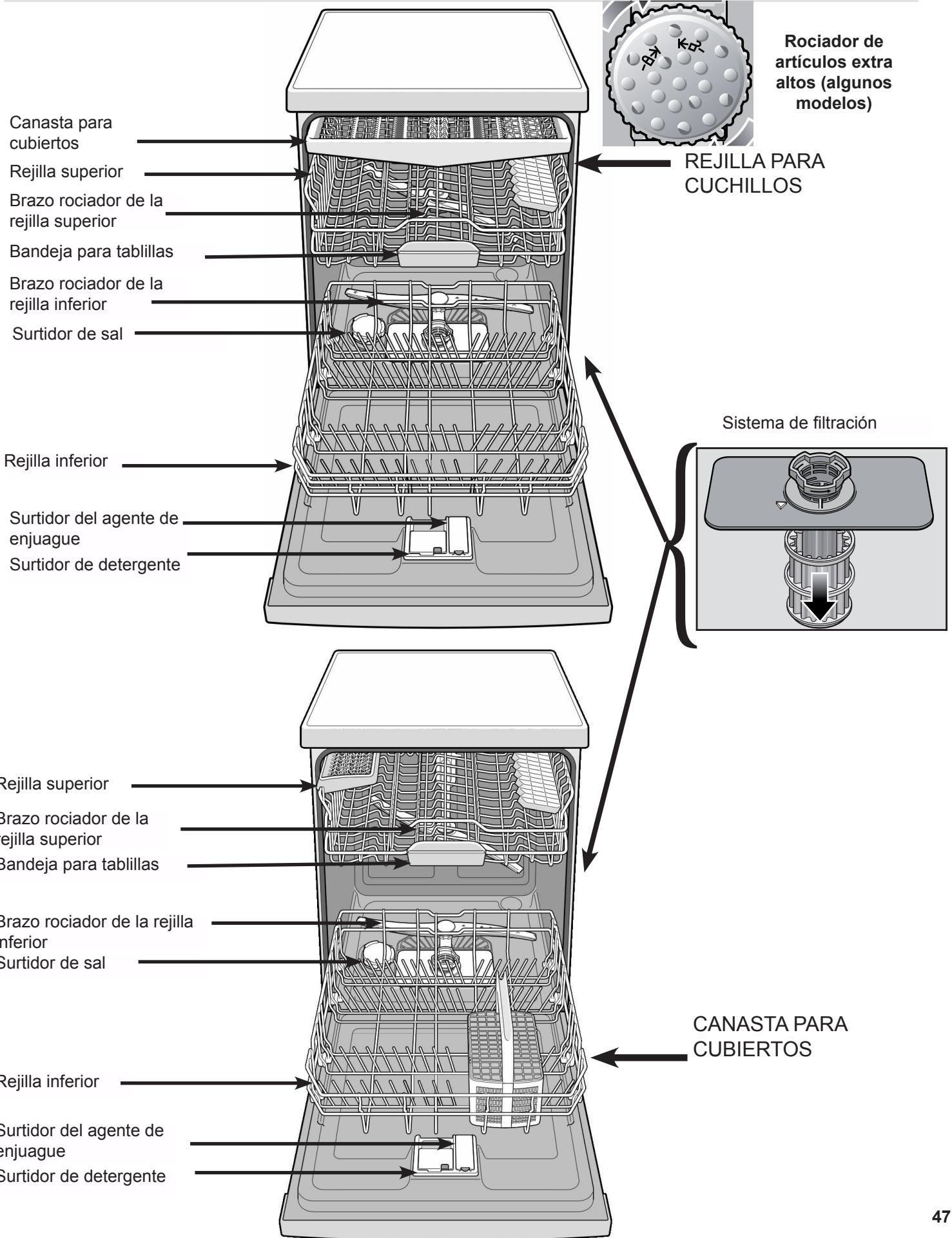
3 - Visualizador digital

4 - Retardar la puesta en marcha

5 - Opciones de ciclos adicionales

6 - Botón de arranque

COMPONENTES DE LA LAVADORA DE PLATOS



Características de la lavadora de platos

Para cambiar el idioma:

- Prenda la unidad con el botón ON/OFF (Prender/Apagar).
- Mantenga oprimido el botón "A" y oprima el botón START hasta que el visualizador indique "H:00".
- Suelte ambos botones.
- Mantenga oprimido el botón "A" hasta que el visualizador indique "L:00".
- Oprima el botón de programa + or - hasta que pueda ver el idioma deseado.
- Oprima el botón START . Se guardó el valor nuevo.

Sistema para ablandar el agua

La lavadora de platos requiere de agua blanda para asegurar resultados apropiados del lavado. Su aparato viene con un sistema interno para ablandar el agua. Sin embargo, si usted tiene un sistema ablandador de agua propio instalado en su casa, no necesitará este sistema ablandador.

La cantidad de sal que se requiere depende del grado de dureza de su agua de grifo (Vea la tabla).

Se puede cambiar la cantidad de sal empleada de "H:00" a "H:07". No se requiere sal con el valor predeterminado de H:00.

- Abra la puerta.
- Prenda la unidad con el botón ON/OFF (Prender/Apagar) .
- Mantenga oprimido el botón "A" y oprima el botón START hasta que el visualizador indique "H:00".
- Suelte ambos botones.

tap water hardness ppm CaCO ³ /l	set value at dishwasher	use regeneration salt
0 - 110	H:00	no
120 - 140	H:01	si
150 - 180	H:02	si
190 - 210	H:03	si
220 - 290	H:04	si
300 - 370	H:05	si
380 - 540	H:06	si
550 - 890	H:07	si

Setting value from factory H:00

Para cambiar la configuración,


- Oprima el botón + or -
- Oprima el botón START. El valor predeterminado ha sido guardado.
- Cierre la puerta

ADVERTENCIA

Nunca llene el surtidor de sal con detergente. De lo contrario usted destruirá el sistema ablandador de agua.

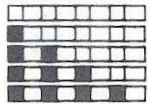
Siempre rellene con sal inmediatamente antes de prender el aparato para evitar la corrosión.

Using a water hardness test strip



Kurz eintauchen (1 sec), leicht abschütteln und nach 1 min ablesen.
4 grün/green/vert
1 rot/red/rouge
2 rot/red/rouge
3 rot/red/rouge
4 rot/red/rouge

Dip briefly (1 sec), shake off excess water and compare after 1 min.



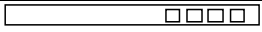
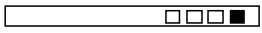
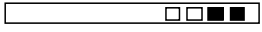
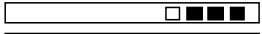

Plongez brièvement (1 sec), égouttez l'excès d'eau et comparez après 1 min.

<3°dH/ <3.75°e/ <5.4°F
>4°dH/ >5°e/ >7.2°F
>8.4°dH/ >10.5°e/ >15.1°F
>14°dH/ >17.5°e/ >25.2°F
>21°dH/ >26.25°e/ >37.8°F

AQUADUR®
Teststäbchen zur Bestimmung der Wasserhärte
Test stick for determination of water hardness
Bandelette pour déterminer la dureté de l'eau

LOT 1612

Dip the test strip briefly into tap water for a second. Shake off excess water and compare after approx. 1 minute.	Establishing the water hardness	Setting of Water	Fill with Salt
	After 1 minute the red discoloration of the test areas will show you the correct setting.	Alignment of Softening Unit	Fill salt into the salt container

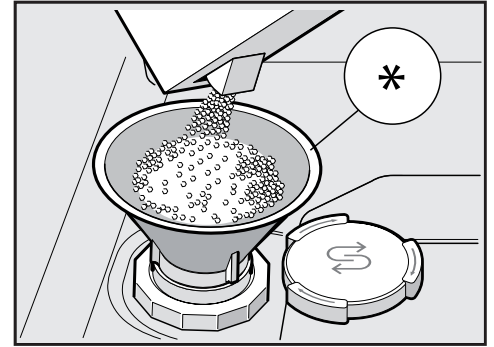
	0	0	no
	1	0	no
	2	2	yes
	3	4	yes
	4	6	yes

Sal

Usar sal

Siempre vuelva a llenar el tanque de sal inmediatamente antes de prender el aparato para asegurar que se lave cualquier exceso de sal. Esto evita la corrosión.

- Llene el tanque con agua (se requiere solamente cuando se prende el aparato por primera vez).
- Añada sal (sal de regeneración) hasta que el agua salga desplazada.
- Llene con sal en cuando se ilumina el indicador de relleno de sal.



Detergente

Use únicamente detergentes diseñados específicamente para lavadora de platos. Para obtener mejores resultados, use detergentes frescos en polvo para uso en lavadora de platos.

AVISO

Para evitar daños a la lavadora de platos, no use productos para lavar la vajilla a mano.

La lavadora de platos utiliza menos agua, así que debe usar menos detergente. Con agua blanda, 15 ml (1 cucharada) de detergente limpiará la mayoría de las cargas. La copa para detergente en el surtidor tiene rayas que miden la cantidad de detergente cada 15 y 25 ml (1 y 1.75 cucharadas). Con 3 cucharadas (45 ml) de detergente llena la copa totalmente.

NOTA: Si usted no sabe si el agua es blanda o dura, empiece con 15 ml de detergente. Aumente la cantidad de detergente, si es necesario, hasta la cantidad mínima que se necesita para realizar la limpieza de su vajilla y los utensilios de cocina.

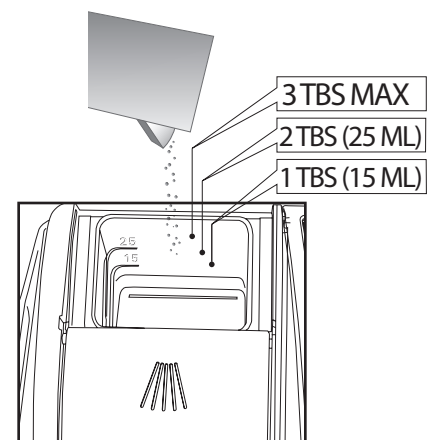
Para cerrar:

Ponga el dedo como se muestra arriba, deslice hacia adelante, luego oprima FIRMEMENTE hasta que escucha un CLIC.

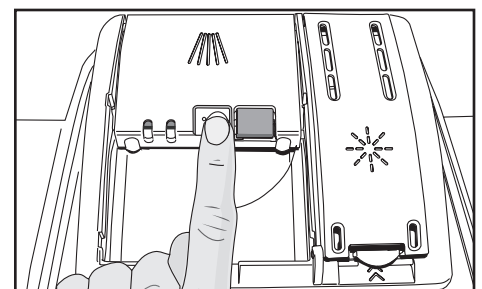
Para abrir:



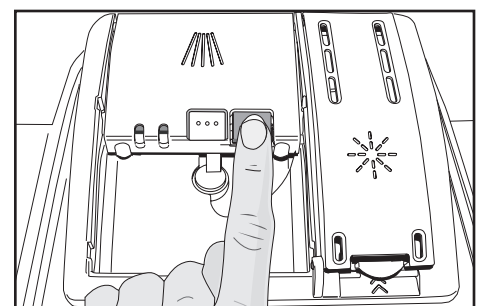
Oprima el botón como se muestra en la ilustración.



Detergente



Para cerrar




Para abrir

Agente de Enjuague

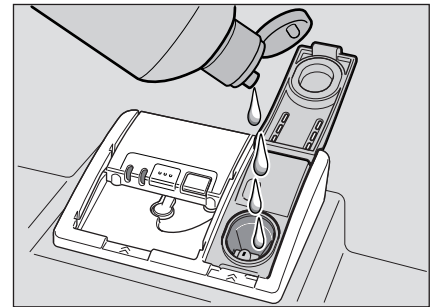
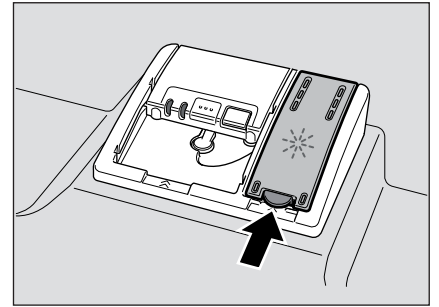
Para lograr un secado apropiado, siempre use agente de enjuague líquido, aún si su detergente también contiene algún agente de enjuague o aditivo para secado.

Surtidor del agente de enjuague

Abra el surtidor del agente de enjuague levantando la pestaña con su pulgar.

NOTA: La lavadora de platos indica la falta del agente de enjuague mostrando el símbolo  en el visualizador de cuenta regresiva, o prentiendo la luz de relleno del agente de enjuague (depende del modelo).

Añada agente de enjuague al surtidor como se muestra hasta llenar el depósito. Limpie el exceso del agente de enjuague que se acumula cuando se llena el depósito del surtidor.



Fijar la cantidad del agente de enjuague

Se puede fijar la cantidad del agente de enjuague de “r:00” a “r:06”

- Abra la puerta.
- Prenda el aparato pulsando el botón ON/OFF.
- Mantenga oprimido el botón “eco” y pulse el botón START hasta que el visualizador indique “r:00”.
- Suelte ambos botones.
- Pulse + o – para seleccionar el ajuste deseado.
 - “r:00” significa que el surtidor del agente de enjuague está apagado.
 - “r:01” significa que el surtidor del agente de enjuague está en la posición más baja.
 - “r:02” significa que el surtidor del agente de enjuague está en la posición baja.
 - “r:03” significa que el surtidor del agente de enjuague está en la posición mediana.
 - “r:04” significa que el surtidor del agente de enjuague está en la posición mediana alta.
 - “r:05” significa que el surtidor del agente de enjuague está en la posición alta.
 - “r:06” significa que el surtidor del agente de enjuague está en la posición más alta.
- Guarde el idioma seleccionado pulsando el botón START
- Cierre la puerta

Apagar el indicador de relleno del agente de enjuague

- Cambiar la opción del agente de enjuague a r:00

NOTA: No cambie la cantidad del agente de enjuague a menos que sus utensilios salgan con rayas visibles (seleccione la posición baja) o con manchas de agua (seleccione la posición alta).

Materiales de Vajillas

NOTA: Antes de usar su lavavajillas por primera vez, revise la información en esta sección. Algunos artículos que usted desea limpiar no están a prueba de lavavajillas y deben ser lavados a mano; otros requieren de un acomodo especial. Póngase en contacto con el fabricante del artículo si usted tiene dudas acerca de que el uso del lavavajillas sea apropiado.

Recomendado

Aluminio: El aluminio anodizado de color puede oscurecerse con el tiempo. Los minerales en su agua pueden causar que el aluminio se oscurezca o que se manche. Generalmente se pueden quitar estas manchas usando esponjillas de fibra metálica rellenas de jabón.

Porcelana, Cristal, Cerámica: Algunas piezas pintadas a mano pueden perder el color, oscurecerse o mancharse. Lave estas piezas a mano. Posicione piezas frágiles de vidrio de tal modo que no se puedan voltear y que no tengan contacto con otras piezas durante el ciclo de lavado.

Vidrio: El vidrio opalino puede ponerse amarillo.

Capas antiadherentes: Aplique una ligera capa de aceite vegetal a las superficies antiadherentes después del secado.

Plásticos: Asegúrese que la pieza está apta para ser usada en un lavavajillas.

Acero Inoxidable, Plata de Ley, y Plateado: Coloque las piezas hechas de metales diferentes de tal modo que no tengan contacto una con la otra pieza.

No Recomendado

Acrílico: Puede ocurrir el craquelado (grietas pequeñas en el acrílico).

Piezas unidas por adhesivos: Se pueden aflojar los adhesivos que unen materiales como plástico, madera, hueso, acero, cobre, estaño, etc.

Utensilios con mango de hueso: Se pueden separar los mangos.

Hierro: El hierro se oxida. Lave las piezas de hierro a mano y séquelas de inmediato.

Piezas no diseñadas para lavavajillas: Su lavavajillas está diseñada para limpiar SÓLO trastes y artículos de cocina caseros.

Pewter, Latón, Bronce: El pewter se manchará. Lave las piezas de pewter a mano y séquelas de inmediato.

Estaño: El estaño se oxidará. Lave las piezas de hierro a mano y séquelas de inmediato.

Madera: Los tazones de madera, utensilios de madera y piezas con mango de madera pueden agrietarse, doblarse y perder su acabado

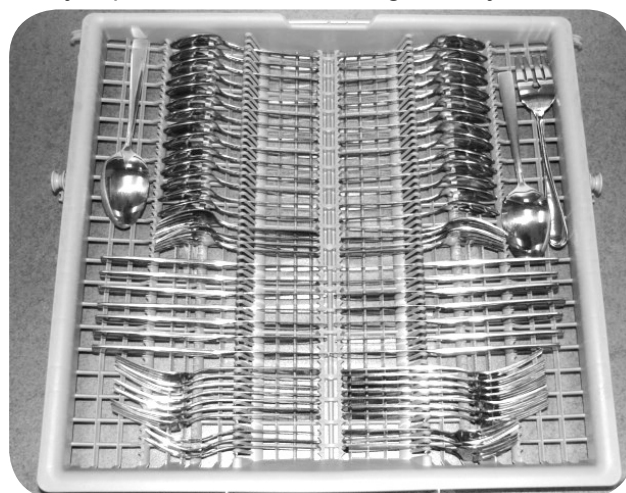
Rejilla superior - 14 Juego de vajilla



Rejilla inferior - 14 Juego de vajilla



Rejilla para cuchillos - 14 Juego de vajilla



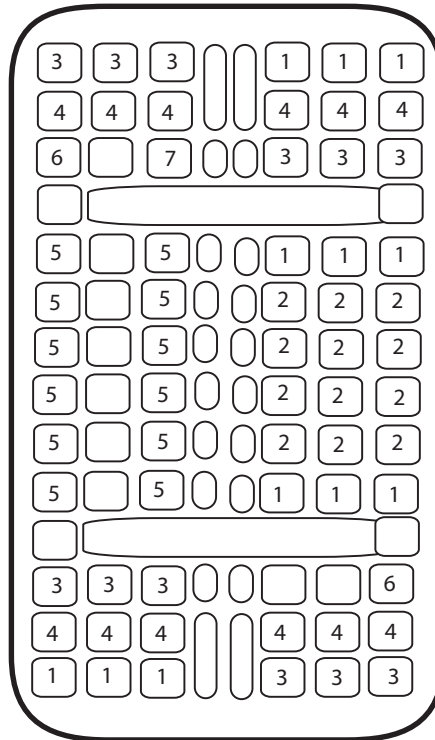
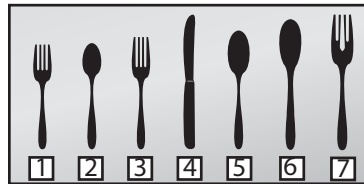
Rejilla superior - 12 Juego de vajilla



Rejilla inferior - 12 Juego de vajilla



Canasta para cubiertos - 12 Juego de vajilla



Cargar la lavadora de platos

No haga ningún lavado preliminar de los artículos con suciedad pegada ligeramente. Elimine las partículas grandes de alimentos, los huesos, semillas, palillos para los dientes y la grasa excesiva. Tal vez es necesario pretratar (remojar o frotar a mano) las piezas con suciedades pegadas, quemadas o endurecidas..

Cargue únicamente artículos a prueba del lavavajillas [dishwasher-safe] en su lavavajillas. Cargue su vajilla en las rejillas del lavavajillas de tal forma que los interiores de platos, ollas y sartenes encaren los brazos rociadores. Evite amontonar las piezas y los puntos de contacto entre éstas. Separe los artículos hechos de metales diferentes.

Rejilla superior - 10 Juego de vajilla



Rejilla inferior - 10 Juego de vajilla



Rejilla para cuchillos - 10 Juego de vajilla



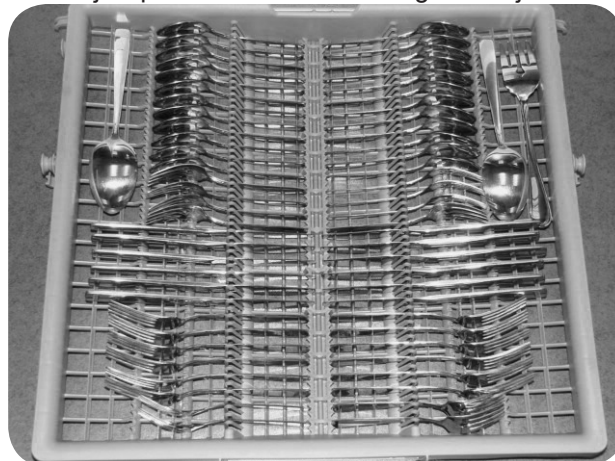
Rejilla superior - 12 Juego de vajilla



Rejilla inferior - 12 Juego de vajilla



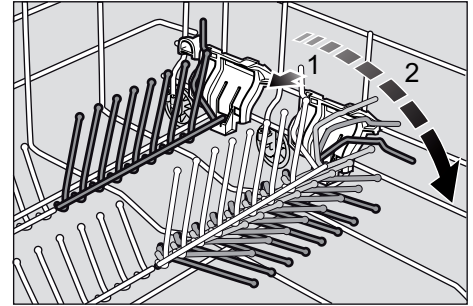
Rejilla para cuchillos - 12 Juego de vajilla



* model dependant

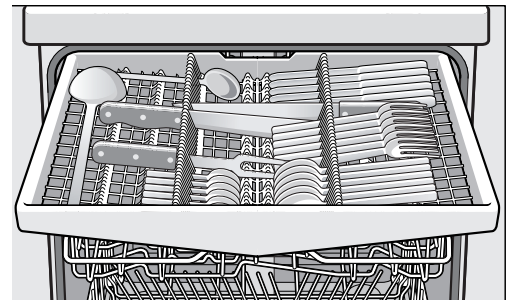
Púas plegables *

Flip Tines fold down to make loading the racks easier in some instances. Grasp the tines, release from notch, and fold the tines downward. When the top rack is loaded, push it into the dishwasher.



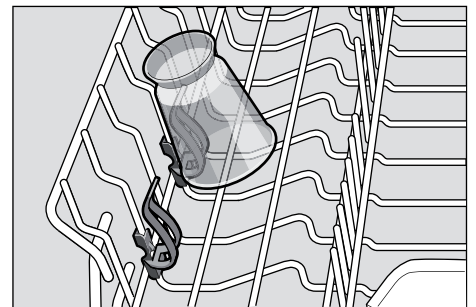
Cajón para cubiertos*

Acomode los cubiertos en el cajón como se muestra. Utensilios separados son más fáciles de quitar después del lavado. Se puede quitar el cajón.



Ganchos para rejilla *

Accesorios ligeros de plástico (p.ej. vasos, tapaderas, etc.) son más fáciles de fijar con estos pequeños ganchos.

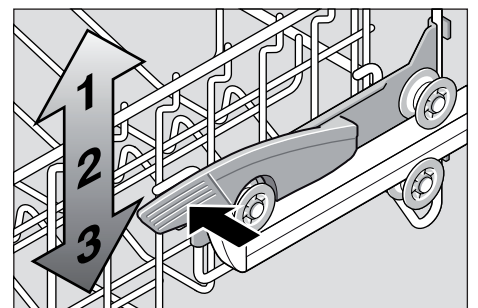


Ajustar la altura de la rejilla

Se puede ajustar la altura de la canasta superior en 3 etapas para crear más espacio ya sea en la rejilla superior o la rejilla inferior.

- Saque la rejilla superior.
- Para bajar la rejilla, empuje la palanca hacia adentro y luego hacia arriba.
- Para subir la rejilla, sostenga la rejilla en ambos lados del borde superior y levántela.

Antes de volver a meter la rejilla, asegúrese que tenga la misma altura en ambos lados. De lo contrario no se podrá cerrar la puerta del aparato y el brazo rociador superior no quedará conectado al circuito de agua



Secado de la vajilla

Power Scrub Plus

Limpia vajillas con restos alimenticios endurecidos por el horno o muy pegados. Puede ser necesario remojar o restregar estos trastes a mano.

Lavado automático

Se debe utilizar este ciclo para dejar de adivinar cuál ciclo de lavado es el correcto. Los sensores en la lavadora de platos ajustan automáticamente la duración del ciclo y los cambios de temperatura y agua en base a la carga de suciedades. Este ciclo es apropiado para cargas mixtas.

Lavado delicado

Para lavar la vajilla, cristalería o los cubiertos delicados o de gran valor, u otros artículos especiales. Asegúrese siempre que los artículos estén a prueba de lavadora de platos. Consulte la sección de Materiales en este manual para más información. Puede que el mejor tratamiento sea lavar estos artículos a mano.

Regular

El ciclo regular limpia a fondo cargas grandes con suciedad ordinaria pegada ligeramente.

Lavado rápido

Para vajillas ligeramente sucias con restos alimenticios que son fáciles de remover.

Cuidado de cristalería

Un ciclo especial con temperaturas reducidas que ayuda a prevenir el enturbamiento del vidrio.

Nota: Algunos vidrios tienden más a enturbarse debido al proceso de fabricación del vidrio

	Power Scrub Auto Plus	Auto Wash	Delicate Wash Auto Delicate	Regular Wash	Quick Wash	Glass Care
cycle time [min]	110 - 135	105 - 129	80 - 85	95 - 119	30	70
water consumption [l]	18.1 - 23.7	12.6 - 19.8	8.3 - 13.9	5.8 - 16.9	10.3	12.9
[gal]	4.8 - 6.3	3.3 - 5.2	2.2 - 3.7	1.5 - 4.5	2.7	3.4
wash temperature [°C]	66 - 71	55 - 66	45 - 50	50 - 55	45	50
wash temperature [°F]	150 - 160	130 - 150	113 - 122	122 - 131	113	122
rinse temperature [°C]	69	69	63	52 - 69	50	60
rinse temperature [°F]	156	156	145	126 - 156	122	140
With Half Load Option						
cycle time [min]	115	95 - 105	75 - 80	90 - 99		65
water consumption [l]	17.5	8.9 - 14.5	8.3 - 11.9	10.4 - 13.5		11.7
[gal]	4.6	2.4 - 3.8	2.2 - 3.1	2.7 - 3.6		3.1
With Sanitize Option						
cycle time [min]	125 - 145	120 - 140		115 - 130		
water consumption [l]	18.1 - 23.7	12.6 - 19.8		5.8 - 16.9		
[gal]	4.8 - 6.3	3.3 - 5.2		1.5 - 4.5		
With Extra Wash Option						
cycle time [min]	145	120 - 140	95 - 105	115 - 135		85
water consumption [l]	23.7	12.6 - 19.8	8.3 - 13.9	5.8 - 16.9		12.9
[gal]	6.3	3.3 - 5.2	2.2 - 3.7	1.5 - 4.5		3.4
With EcoAction Option						
cycle time [min]	105 - 120	100 - 115	75 - 80	100 - 110		65
water consumption [l]	18.1 - 23.7	12.6 - 19.8	8.3 - 13.9	5.8 - 16.9		10.9
[gal]	4.8 - 6.3	3.3 - 5.2	2.2 - 3.7	1.5 - 4.5		2.9

Opciones adicionales

* dependiendo del modelo

Media carga *

Si usted cuenta solamente con algunas piezas a lavar (p.ej. vasos, tazas, platos), puede cambiar al modo “half load” (media carga). Con esto ahorrará agua, energía y tiempo. Se recomienda usar un poco menos de detergente en el surtidor de detergente que para una carga completa.

Secado extra *

Cycle option can be selected to increase wash performance with more water used in extra sequences and at higher temperatures.

Desinfectado *

Un ciclo de la lavadora de platos que tiene el símbolo de Desinfectado [Sanitized] ha sido certificado por haber cumplido con los requisitos muy rigurosos del tiempo de lavado y de la temperatura del agua para desinfectar la vajilla y los utensilios de cocina.

Adicionales Features

Sensor de agua

El sensor de agua es un medidor óptico (barrera de luz) que mide la turbidez del agua de enjuague. Cuando el sensor de agua está activo, se puede transferir agua “limpia” de enjuague al siguiente baño de enjuague y se puede reducir el consumo de agua por 3–6 litros. Si la turbidez es mayor, el agua es evacuada y reemplazada con agua fresca. En los programas automáticos se puede además ajustar la temperatura y el tiempo de funcionamiento de acuerdo al grado de ensuciamiento.

Prender el aparato

- Abra la puerta.
- Prenda la unidad pulsando el botón ON/OFF (Prender/Apagar). El visualizador parpadea indicando el último programa seleccionado.
- El visualizador digital parpadea indicando la duración estimada del programa.
- Oprima el botón START.
- Cierre la puerta. El programa comienza a funcionar.

Indicador del tiempo restante

Cuando se selecciona el programa, el visualizador digital indica el tiempo restante del programa. El tiempo restante es determinado durante el programa por medio de la temperatura del agua, el número de utensilios así como el grado de ensuciamiento y puede variar (dependiendo del programa seleccionado).

Retardar la puesta en marcha

Usted puede retardar la puesta en marcha del programa en incrementos de 1 hora hasta por 24 horas.

- Abra la puerta. Prenda el aparato.
- Oprima el botón “eco” hasta que el visualizador de programación del temporizador salte a 01 .
- Oprima el botón + o – hasta que el tiempo indicado coincida con sus requerimientos.
- Oprima el botón START, la programación del temporizador está activada.

Para eliminar la programación del temporizador:

- Oprima el botón + o – hasta que el visualizador digital indica 7 .
- Usted puede cambiar su selección de programa en cualquier momento hasta que el programa comience a funcionar.
- Cierre la puerta

Señal de terminación del ciclo

- 0:00 indica que el programa ha terminado.
- La terminación del ciclo se indica también mediante un tono. Se puede cambiar esta función de la siguiente manera:
- Abra la puerta. Prenda el aparato.
- Mantenga oprimido el botón de programa “eco” y pulse el botón START hasta que el visualizador indique H:00.
- Suelte ambos botones.
- El indicador LED para el botón “eco” parpadea y el visualizador digital indica el valor de fábrica H:04.
- Oprima el botón de programa A hasta que el visualizador indique b:02.

Interrumpir el ciclo

- Abra la puerta.
- Pulse el botón ON/OFF (Prender/Apagar). Se apagan los LEDs. Se guarda el programa.
- Si se abrió la puerta en un aparato con una conexión de agua caliente o si se calienta ésta, usted debe dejar la puerta abierta por varios minutos y luego cerrarla. De lo contrario, la expansión (presión) puede causar que la puerta del aparato se abra repentinamente o que el agua se salga de la lavadora de platos.
- Para continuar con el programa, vuelva a pulsar el botón ON/OFF (Prender/Apagar).
- Cierre la puerta.

Terminar el programa

- Abra la puerta.
- Oprima el botón START durante aprox. 3 seg. hasta que el visualizador indique 0:01.
- Cierre la puerta. La secuencia del programa dura aprox. 1 min.
- El visualizador indicará 0:00
- Abra la puerta.
- Pulse el botón ON/OFF (Prender/Apagar).
- Cierre la puerta.

Secado intensivo

El enjuague final emplea una temperatura más alta para mejorar el resultado del secado.

El tiempo de funcionamiento puede incrementarse ligeramente.

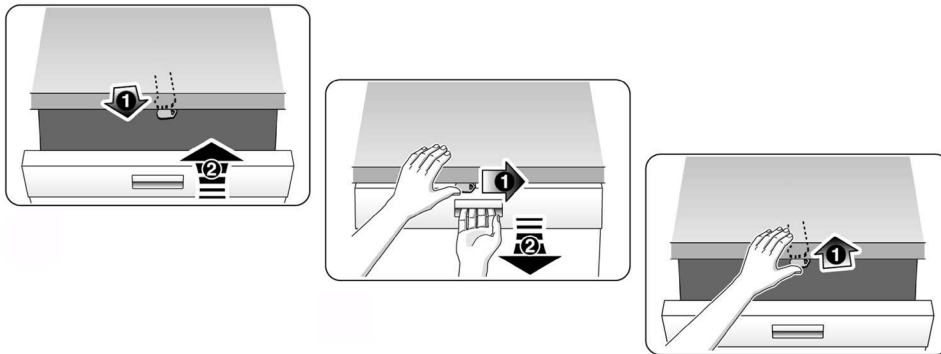
(¡Cuidado si se trata de utensilios delicados!)

- Abra la puerta.
- Pulse el botón ON/OFF (Prender/Apagar).
- Mantenga oprimido el botón de programa A y pulse el botón START hasta que el visualizador indique H:00
- Suelte ambos botones.
- El indicador LED para el botón A parpadea y el visualizador digital indica el valor de fábrica H:04.
- Oprima el botón de programa A hasta que se indique el valor de fábrica d:00.

Para cambiar la configuración:

- Oprima el botón C para prender o apagar el secado intensivo.
- Oprima el botón START. El valor predeterminado está guardado.
- Cierre la puerta.

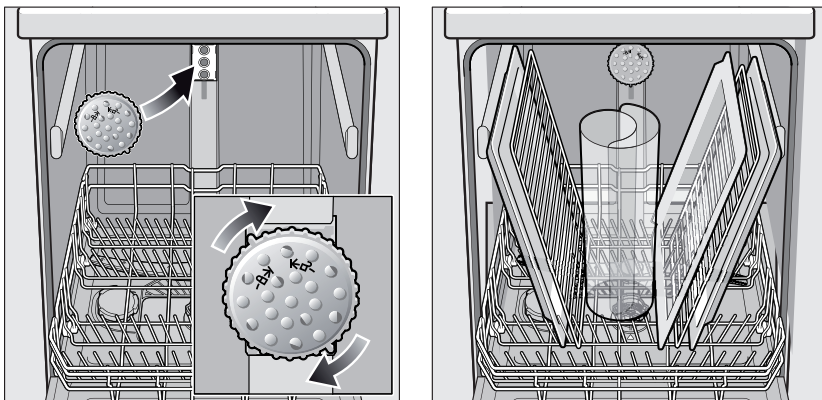
Bloqueo para protección de niños *



Pour verrouiller la porte, poussez le curseur au-dessous de la poignée de porte à droite.

Pour déverrouiller la porte, poussez le curseur vers la gauche

Cabeza rociadora para bandejas de hornear *



Cuando un artículo está muy alto para quedar en la rejilla inferior aún con la rejilla superior en la posición elevada, saque la rejilla superior vacía jalándola hacia afuera de la lavadora de platos hasta que se detenga. Jale hacia arriba y hacia afuera la orilla delantera de la rejilla hasta que los rodillos queden completamente libres de los rieles guías. Guarde la rejilla al lado. Empuje los rieles guías de nuevo hacia adentro de la lavadora de platos.

Encaje el Rociador para Artículos Extra Altos [Extra Tall Item Sprinkler] en la salida de agua para la rejilla superior y déle vuelta al sentido del reloj hasta asentararlo en su posición como se muestra arriba. Acomode los artículos extra altos en la rejilla inferior como se muestra arriba.

Mantenimiento y cuidado

Una inspección y mantenimiento regular de su aparato ayudará a prevenir fallas. Esto ahorra tiempo y evita problemas.

Condición general de la máquina

Revise los brazos rociadores si tienen grasa y depósitos calcáreos.

Si usted encuentra tales depósitos:

- Llene el surtidor de detergente con detergente.
- Prenda el aparato sin utensilios en el programa con la mayor temperatura de enjuague.

Limpie el aparato con detergentes/limpiadores para aparatos domésticos aptos especialmente para el uso en lavadoras de platos.

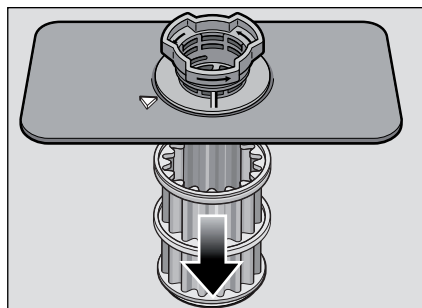
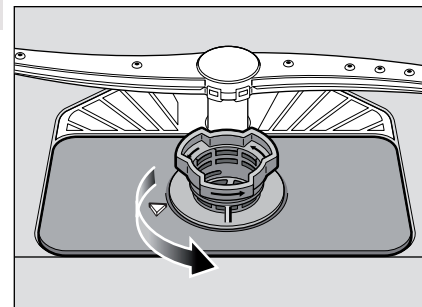
- Limpie el sello de la puerta regularmente con un paño húmedo.

Nunca use un sistema de limpieza con vapor para limpiar su lavadora de platos. El fabricante no se hace responsable de daños consecuenciales.

Limpie el frente del aparato y el tablero regularmente con un paño húmedo; puede usar un poco de agua y líquido.

No use esponjas con una superficie áspera o detergentes abrasivos ya que éstos pueden rayar la superficie.

Aparatos de acero inoxidable: Para evitar la corrosión evite el uso de paños con pelusa o lávelos cuidadosamente varias veces antes de usarlos por primera vez.

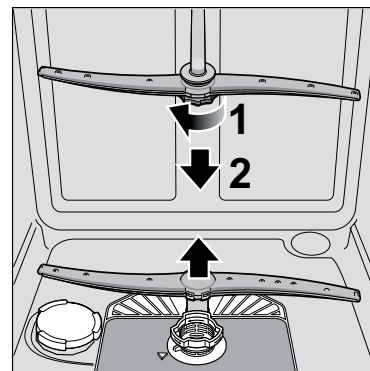


Filtros

Los filtros mantienen objetos ajenos grandes en el agua de enjuague lejos de la bomba. Estos objetos ajenos pueden ocasionalmente tapan los filtros.

El sistema de filtración consiste en un filtro de malla ancha, un filtro fino plano y un microfiltro.

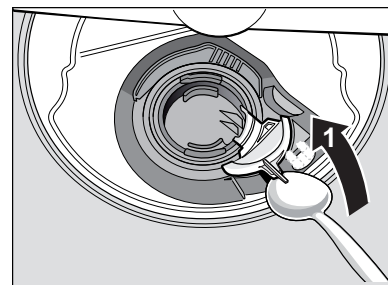
- Después de cada ciclo de lavado debe revisar los filtros para ver si tienen residuos.
- Desenrosque el cilindro del filtro como se muestra y saque el sistema de filtración.
- Quite los residuos y lave los filtros bajo agua de grifo
- Vuelva a instalar el sistema de filtración en el orden inverso y asegúrese que las marcas de las flechas queden en lados opuestos después de cerrar el sistema de filtración.



Brazos rociadores

La acumulación de depósitos calcáreos y de contaminantes en el agua de enjuague puede tapan las boquillas y los rodamientos en los brazos rociadores.

- Revise si las boquillas en los brazos rociadores están tapadas.
- Desenrosque el brazo rociador superior.
- Quite el brazo rociador inferior.

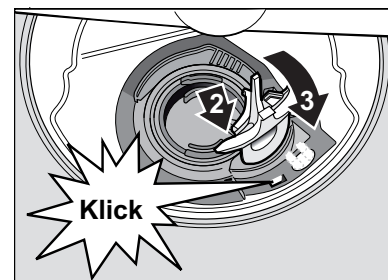


Bomba de aguas residuales

Restos alimenticios grandes en el agua de enjuague que no son retenidos por los filtros pueden tapan la bomba para aguas residuales. El agua de enjuague no es vaciado y cubre los filtros.

En este caso:

- Desconecte el aparato de la fuente de alimentación.
- Quite los filtros.
- Saque el agua con una taza o use una esponja si se requiere.
- Utilizando una cuchara, levante la cubierta de la bomba (como se muestra) hasta que escucha un clic, luego tome la cubierta por la pestaña y júlela primero hacia arriba hasta que se detenga y luego júlela hacia adelante.
- Revise el compartimiento interior y quite todos los objetos ajenos.
- Coloque la cubierta en su posición original, empújela y ciérrela.
- Instale los filtros.



AUTOAYUDA

A veces las lavadoras de platos exhiben problemas que no tienen nada que ver con un mal funcionamiento de la máquina en sí. La información a continuación le podría ayudar a resolver algún problema sin tener que acudir a un técnico de reparaciones.

Problema	Causa	Acción
La lavadora de platos no se pone en marcha	<ol style="list-style-type: none"> 1. Tal vez no cerró bien la puerta de la lavadora de platos. 2. Tal vez no está prendida la unidad. 3. La unidad no fue reseteada o el ciclo anterior no ha terminado. 4. Se activó el retardo de marcha. 5. Falla en el suministro eléctrico a la lavadora de platos o un fusible quemado. 6. Se activó el bloqueo para protección de niños (algunos modelos). 7. Tal vez se cerró la puerta sin primero seleccionar un ciclo. 8. Tal vez no está prendido el suministro de agua. 	<ol style="list-style-type: none"> 1. Cierre la puerta completamente. 2. Oprima el interruptor principal para prender la unidad. 3. Para resetear, consulte la sección "Cancelar o cambiar el ciclo" de este manual. 4. Para resetear, consulte la sección "Retardar la Puesta en Marcha" de este manual. 5. Revise el cortacircuitos. 6. Desactive el bloqueo para niños. Consulte la sección "Bloqueo para protección de niños" de este manual si aplica. 7. Seleccione un ciclo y cierre la puerta. 8. Revise el suministro de agua y ábralo.
La lavadora emite pitidos (señal de terminación del ciclo)	Los ajustes de fábrica avisan al cliente que el ciclo ha terminado emitiendo pitidos. Se puede desactivar esta opción si quiere.	Para ajustar el volumen o desactivarlo, consulte la sección "Señal de terminación del ciclo" de este manual.
No se prende el visualizador o las luces indicadoras no se encienden	<ol style="list-style-type: none"> 1. Pudo haberse fundido un fusible o un cortacircuitos pudo haber interrumpido la corriente. 2. Puerta no está cerrada. <p>Nota: Para modelos con controles en la parte superior de la puerta, se ilumina el visualizador sólo cuando la puerta está abierta y los controles están visibles.</p>	<ol style="list-style-type: none"> 1. Revise la caja de fusibles/cortacircuitos y cambie el fusible o restablezca el interruptor si es necesario. 2. Asegúrese que la puerta esté correcta y completamente cerrada.
La lavadora de platos necesita demasiado tiempo para terminar	<ol style="list-style-type: none"> 1. El agua alimentada está muy fría. 2. El tiempo del ciclo puede variar debido a la suciedad y las condiciones del agua. 3. El surtidor del agente de enjuague está vacío. 4. La lavadora de platos está conectada a la línea de agua fría. <p>Nota: Consulte la sección "Tabla con Datos de Ciclos" de este manual para la longitud típica del ciclo.</p>	<ol style="list-style-type: none"> 1. Antes de iniciar un ciclo, abra la llave de agua caliente en la pila o lavabo más cerca de la lavadora de platos. 2. Los sensores en la lavadora de platos automáticamente aumentan el tiempo del ciclo para asegurar un lavado bueno al detectar gran suciedad. 3. Añada agente de enjuague. 4. Verifique que la lavadora de platos está conectada a la tubería de agua caliente.
Las vajillas no salen suficientemente limpias	<ol style="list-style-type: none"> 1. El movimiento del brazo rociador está obstruido. 2. Las boquillas del brazo rociador están tapadas. 3. Mal uso de detergentes. 4. Tal vez los filtros están tapados. 5. Las vajillas están acomodadas mal con poco espacio entre las piezas. 6. El ciclo de lavado seleccionado no sirve para las condiciones de suciedad en la vajilla. 	<ol style="list-style-type: none"> 1. Asegúrese que el movimiento del brazo rociador no esté bloqueado girando el brazo con la mano. 2. Quite los brazos rociadores y límpielos conforme a "Revisar/Limpiar las Boquillas del Brazo Rociador" en la sección Cuidado y Mantenimiento de este manual. 3. Aumente o disminuya el detergente dependiendo de la dureza del agua. Consulte la Tabla bajo "Añadir Detergente y Agente de Enjuague". 4. Limpie el filtro. Consulte "Revisar/Limpiar el Sistema de Filtración" en la sección Cuidado y Mantenimiento de este manual. 5. Vuelva a acomodar la carga de tal modo que el agua pueda alcanzar todos los artículos en la lavadora de platos. Vea también la sección "Cómo Cargar la Lavadora de Platos" de este manual. 6. Consulte "Ciclos de Lavado" en la sección de Cómo Operar la Lavadora de Platos de este manual.
La vajilla no se seca suficientemente	<ol style="list-style-type: none"> 1. El surtidor de agente de enjuague podría estar vacío. (El indicador del agente de enjuague está activado). 2. Mal acomodo de la vajilla en la lavadora. 3. El ciclo seleccionado no incluye el secado. <p>Nota: Piezas de plástico o de teflón generalmente no se secan completamente como otros artículos debido a su propiedades inherentes.</p>	<ol style="list-style-type: none"> 1. Añada agente de enjuague. El uso de agente de enjuague mejora el secado. 2. Vuelva a acomodar los trastes para que no queden muy juntos. Vea también la sección "Cómo Cargar la Lavadora de Platos" de este manual. 3. La opción Enjuagar y Retener no incluye un ciclo de secado. <p>Nota: Algunos modelos ofrecen una opción de calentar adicional para mejorar el secado. Consulte "Opciones de los ciclos de lavado" en la sección de Cómo Operar la Lavadora de Platos de este manual.</p>
Mal olor	<ol style="list-style-type: none"> 1. Hay restos alimenticios en el piso de la lavadora de platos. 2. Hay restos alimenticios cerca del sello de la puerta. 3. Se dejaron los trastes demasiado tiempo en la lavadora antes de iniciar un ciclo. 4. Hay agua residual en el piso de la lavadora de platos. 5. La manguera de drenaje está tapada. 	<ol style="list-style-type: none"> 1. Quite los filtros y limpie de acuerdo a la sección "Revisar/Limpiar el Sistema de Filtración" de este manual. 2. Consulte "Limpiar el Empaque y Sello de la Puerta" en la sección de Cuidado y Mantenimiento de este manual. 3. Inicie un ciclo de Enjuagar/Retener si usted no piensa lavar los trastes inmediatamente. 4. Asegúrese que toda el agua se haya drenado del último ciclo. Consulte la sección "Cancelar o cambiar el ciclo" de este manual. 5. Contrate a personal calificado para quitar cualquier obstrucción de la manguera de drenaje. <p>Nota: Si aún persiste el mal olor, inicie un ciclo Normal/Regular hasta que llegue al enjuague e interrumpa el ciclo y coloque una taza con una solución destilada de vinagre blanco sobre la rejilla superior y termine el ciclo.</p>

Problema	Causa	Acción
La lavadora de platos no se llena con agua	<ol style="list-style-type: none"> 1. El sistema de suministro de agua está restringido. 2. El ciclo de lavado anterior no ha terminado. 3. El retardo de la puesta en marcha está activo. 	<ol style="list-style-type: none"> 1. Asegúrese que la llave de agua (generalmente ubicada abajo de la pila de cocina) esté abierta y revise que la manguera de agua no esté doblada o tapada. 2. Consulte la sección "Cancelar o cambiar el ciclo" de este manual. 3. Cancele el retardo de la puesta en marcha o espere hasta que termine el tiempo del retardo. Consulte la sección "Retardar la Puesta en Marcha" de este manual.
Fugas de agua	<ol style="list-style-type: none"> 1. Espuma (agua jabonosa). 2. Tal vez se jaló el sello de la puerta de su guía. 3. La abertura de condensación está tapada. 4. Mala instalación. 	<ol style="list-style-type: none"> 1. El tipo de detergente equivocado causa espuma y fugas. Use sólo detergentes para lavadoras de platos. Si aún se presenta espuma, añada una cucharada de aceite vegetal en el piso de la lavadora de platos y ponga a trabajar el ciclo deseado. 2. Asegúrese que el sello de la puerta esté en su guía. 3. Asegúrese que la abertura de condensación no esté tapada. Consulte "Cómo cargar artículos extra altos" en la sección "Cómo Cargar la Lavadora de Platos" de este manual. 4. Contrate a personal calificado para verificar la instalación (suministro de agua, sistema de drenaje, nivelación, tuberías).
Manchas en la tina	<ol style="list-style-type: none"> 1. Las manchas en el interior de la lavadora de platos se deben a la dureza del agua 2. Los cubiertos tienen contacto con la tina. 	<ol style="list-style-type: none"> 1. Jugo concentrado de limón puede reducir la formación de las manchas de agua dura. Inicie un ciclo normal hasta llegar al enjuague e interrumpa el ciclo y luego coloque una taza con la solución concentrada del jugo de limón en la rejilla superior y termine el ciclo. Esto se puede hacer periódicamente para evitar la formación de manchas. 2. Asegúrese que los cubiertos no tengan contacto con la tina durante un ciclo.
Hay rayas en los artículos de cristal o residuos en los trastes	Ajuste incorrecto del agente de enjuague	Ajuste el surtidor del agente de enjuague dependiendo de la dureza del agua. Consulte la sección "Añadir Detergente y Agente de Enjuague" de este manual.
El panel del tablero está decolorado o marcado	Se utilizó un detergente abrasivo.	Use detergentes suaves con un paño húmedo.
Ruido durante el ciclo de lavado	Tal vez los trastes están mal acomodados.	Oír el agua circular es normal, pero si usted sospecha que los trastes están pegándose o que están pegando a los brazos rociadores, consulte la sección "Cómo Cargar la Lavadora de Platos" de este manual.
No se cierra la tapa del surtidor de detergente	<ol style="list-style-type: none"> 3. Mal funcionamiento de la tapa de detergente. 4. El ciclo anterior no ha sido terminado, reseteado o el ciclo fue interrumpido. 	<ol style="list-style-type: none"> 5. Consulte la sección "Añadir Detergente y Agente de Enjuague" de este manual para las instrucciones de cómo abrir y cerrar el surtidor. 6. Consulte la sección "Cancelar o cambiar el ciclo" de este manual.
No se puede seleccionar el ciclo deseado	El ciclo anterior no ha terminado.	Consulte la sección "Cancelar o cambiar el ciclo" de este manual.

Servicio al Cliente

Su lavadora de platos Bosch no requiere de ningún otro cuidado especial del que se describe en la sección de Cuidado y Mantenimiento. Si usted tiene algún problema con su lavadora de platos, antes de solicitar servicio técnico, por favor consulte la sección de Autoayuda. Si se necesita servicio, póngase en contacto con su distribuidor o instalador o con un centro de servicio autorizado. No trate de reparar el aparato usted mismo. Todo trabajo realizado por personas no autorizadas puede invalidar la garantía.

Si usted tiene algún problema con su lavadora de platos Bosch y no está contento con el servicio que ha recibido, tome los siguientes pasos por favor (en el orden listado abajo) hasta corregir el problema a su entera satisfacción:

1. Contacte a su instalador o al contratista de servicio autorizado por Bosch en su área.
2. Mándenos un correo electrónico desde la sección de servicio al cliente en nuestra página Web, www.boschappliances.com.
3. Escríbanos a la siguiente dirección:
BSH Home Appliances, Corporation
5551 McFadden Avenue
Huntington Beach, CA 92649
4. Llame al 1-800-944-2904.

Por favor incluya la información de su modelo listado abajo así como una explicación del problema y la fecha cuando se originó.

Usted podrá encontrar la información sobre el número de modelo y el número de serie en la placa (etiqueta) que se encuentra en la orilla derecha de la puerta de la lavadora de platos tal como se muestra en la Ilustración 31.

Además, si nos escribe, favor de incluir un número telefónico donde lo podamos localizar durante el día.

Por favor saque una copia de su factura y guárdela junto con este manual. El cliente debe mostrar un comprobante de compra para obtener el servicio de garantía.

Información de su modelo:

- Número de modelo
- Número de serie
- Fecha de compra
- Fecha de instalación

CUIDADO

Quitar alguna tapa o jalar la lavadora de platos fuera del gabinete puede exponer conexiones de agua caliente, de corriente eléctrica o bordes o puntas filosas.

Declaratoria de Garantía Limitada del Producto

Lavadora de Platos Bosch

Lo que esta garantía cubre y para quiénes aplica: Las garantías ofrecidas por BSH Home Appliances (“Bosch”) en esta Declaratoria de Garantía Limitada aplican sólo a las lavadoras de platos Bosch (“Producto”) que usted compró, el primer usuario comprador, siempre y cuando el Producto fue adquirido (1) para su uso casero normal (no comercial) y que en realidad ha sido utilizado siempre para propósitos domésticos normales; (2) nuevo en la tienda (no un equipo de exhibición, “tal como es”, o un modelo previamente devuelto) y no para la reventa o uso comercial; y (3) en los Estados Unidos o Canadá y que siempre ha permanecido en el país de la compra original. Las garantías declaradas aquí aplican sólo al primer usuario comprador del Producto y no se pueden transferir.

- Asegúrese por favor de devolver su tarjeta de registro; aunque no es necesario para efectuar la cobertura de la garantía, es la mejor manera para Bosch de notificarle a usted en el caso poco probable de un aviso de seguridad o una devolución del producto.

Duración de la garantía: Bosch garantiza que el Producto está libre de defectos en materiales y mano de obra por un período de trescientos sesenta y cinco (365) días (i.e. 1 año) a partir de la fecha de compra. El tiempo mencionado arriba comienza a ejecutarse a partir de la fecha de compra y no se puede detener, estar sujeto a derechos, extender o suspender por ningún motivo. En esta cobertura básica se incluyen los costos de la mano de obra y del envío.

Garantía limitada extendida: Bosch otorga además estas garantías limitadas adicionales:

- **Garantía Limitada de 2 años:** Bosch reparará o reemplazará cualquier componente que resulte defectuoso en materiales o fabricación (excluye la mano de obra).
- **Garantía Limitada de 5 años sobre partes electrónicas:** Bosch reparará o reemplazará cualquier microprocesador Bosch o tarjeta de circuito impreso si resulta defectuoso en materiales o fabricación (excluye la mano de obra).
- **Garantía Limitada de 5 años sobre las rejillas:** Bosch reemplazará la rejilla superior o inferior (excluye componentes de las rejillas), si la rejilla resulta defectuosa en materiales o fabricación (excluye la mano de obra).
- **Garantía de por vida contra la oxidación del acero inoxidable:** Bosch reemplazará su lavadora de platos con el mismo modelo o con un modelo más nuevo que es sustancialmente igual o mejor en funcionalidad, si la camisa interior llega a oxidarse (excluye la mano de obra). Bosch reemplazará la puerta de acero inoxidable en caso de oxidarse (excluye la mano de obra).

El tiempo mencionado arriba comienza a ejecutarse a partir de la fecha de compra y no se puede detener, estar sujeto a derechos, extender o suspender por ningún motivo.

Reparación/Reemplazo como su único remedio: Durante el período de garantía, Bosch o uno de sus centros de servicio autorizados va a reparar su Producto sin costo alguno para usted (sujeto a ciertas limitaciones mencionadas aquí), si su Producto resulta defectuoso en materiales y fabricación. Si se hicieron intentos razonables para reparar el Producto sin éxito, entonces Bosch va a reemplazar su Producto (modelos más actuales pueden estar disponibles para usted, a discreción exclusiva de Bosch, con un cargo adicional). Todas las partes y componentes remitidos se convertirán en propiedad de Bosch a su discreción. Todas las partes reemplazadas y/o reparadas asumirán la identidad de la parte original para los propósitos de esta garantía y esta garantía no se puede extender con respecto a tales partes. La única responsabilidad de Bosch bajo esta garantía es reparar el Producto defectuoso de fábrica usando un proveedor de servicio autorizado por Bosch durante horarios normales de trabajo. Por cuestión de seguridad y daños al producto, Bosch recomienda altamente que usted mismo no intente reparar el Producto o usar un centro de servicio no autorizado; Bosch no será responsable de reparaciones o trabajos realizados por un centro de servicio no autorizado. Si usted elige a alguien diferente que un proveedor de servicio autorizado para trabajar con su Producto, **ESTA GARANTÍA PERDERÁ AUTOMÁTICAMENTE SU VALIDEZ.** Proveedores de servicio autorizados son aquellas personas o empresas que han sido entrenados especialmente en productos de Bosch y quienes tienen, en opinión de Bosch, una excelente reputación para dar servicio al cliente y ofrecer servicios técnicos de gran calidad (Se trata de entidades independientes y no de agentes, socios, afiliados o representantes de Bosch). No obstante lo anterior, Bosch no será responsable para el Producto si está ubicado en un área remota (más de 100 millas (160 kilómetros) de un proveedor de servicio autorizado) o si está en un entorno o ambiente inaccesible, peligroso, amenazador o traicionero; en cualquier caso, si usted

lo solicita, Bosch aún así pagará la mano de obra y las partes y enviará las partes al proveedor de servicio autorizado más cercano, pero usted tendrá toda la responsabilidad de viajar y enfrentar los gastos especiales generados por la empresa de servicio, suponiendo que ésta acepta la visita para dar el servicio.

Producto fuera de garantía: Bosch no está obligado por la ley o de otra forma, de proporcionarle a usted alguna concesión, incluyendo reparaciones, prorratas, o el reemplazo del Producto, una vez que esta garantía haya llegado a su vencimiento.

Exclusiones de la garantía: La cobertura de la garantía que se describe aquí excluye todos los defectos o daños que no son la responsabilidad directa de Bosch, incluyendo sin limitación, uno o más de los siguientes puntos: (1) el uso del Producto en un modo diferente de su uso normal, usual e intencionado (incluyendo sin limitación cualquier forma de uso comercial, el uso o almacenamiento de un producto para interiores en el exterior, el uso del Producto junto con naves marítimas o aéreas); (2) el mal comportamiento intencional de cualquier parte, negligencia, mal uso, abuso, accidentes, descuido, operación incorrecta, falta de mantenimiento, instalación incorrecta o negligente, manipulación, falta de observar las instrucciones de operación, mal manejo, servicio no autorizado (incluyendo “arreglos” hechos por usted mismo o explorar el funcionamiento interno del aparato); (3) ajustes o alteraciones o modificaciones de cualquier tipo, (4) la falta de cumplir con los códigos, regulaciones o leyes eléctricas y/o de construcción estatales, locales y municipales que pueden aplicar, incluyendo la falta de instalar el producto conforme a los códigos y las regulaciones locales de fuego y construcción; (5) el desgaste normal, derrames de alimentos o líquidos, acumulaciones de grasa u otras substancias acumuladas sobre, en o alrededor del Producto y (6) fuerzas y factores externos, elementales y ambientales, incluyendo sin limitación, lluvia, viento, arena, inundaciones, fuegos, deslizamiento de lodo, temperaturas bajo cero, exceso de humedad o exposición extendida a humedad, relámpagos, sobretensiones, fallas estructurales alrededor del aparato y casos fortuitos. Por ningún motivo Bosch será responsable de daños a la propiedad cercana al aparato, incluyendo gabinetes, pisos, techos y otras estructuras u objetos que rodean el Producto. También se excluyen de esta garantía raspaduras, hendiduras, abolladuras ligeras y daños cosméticos en superficies externas y partes expuestas; Productos donde se alteró, se desfiguró o se quitó el número de serie; visitas de servicio para enseñarle como usar el Producto, o visitas donde no hay nada malo con el Producto; la corrección de problemas de la instalación (usted es el único responsable de cualquier estructura y entorno para el producto, incluyendo todas las instalaciones eléctricas, hidráulicas u otras conexiones, para una cimentación/pisos adecuados y para alteraciones incluyendo sin limitación gabinetes, paredes, pisos, estantes, etc.); y para poner o reemplazar cortacircuitos o fusibles.

AL GRADO PERMITIDO POR LA LEY, ESTA GARANTÍA ESTABLECE SUS REMEDIOS EXCLUSIVOS CON RESPECTO AL PRODUCTO, SIN IMPORTAR SI LA RECLAMACIÓN SURGE EN CONTRATO O AGRAVIO (INCLUYENDO LA RESPONSABILIDAD ESTRICTA, O NEGLIGENCIA). ESTA GARANTÍA SUSTITUYE TODAS LAS OTRAS GARANTÍAS EXPRESAS O IMPLÍCITAS. CUALQUIER GARANTÍA IMPLICADA POR LA LEY, YA SEA DE COMERCIABILIDAD O APTITUD PARA ALGÚN PROPÓSITO PARTICULAR, SERÁ EFECTIVA SOLAMENTE POR EL PERÍODO EFECTIVO EXPRESADO EN ESTA GARANTÍA. BAJO NINGÚN MOTIVO EL FABRICANTE SERÁ RESPONSABLE DE DAÑOS CONSECUENCIALES, ESPECIALES, INCIDENTALES, INDIRECTOS, LA “PÉRDIDA DE NEGOCIO” Y/O DAÑOS PUNITIVOS, PÉRDIDAS, O GASTOS, INCLUYENDO SIN LIMITACIÓN EL TIEMPO AUSENTE DEL TRABAJO, HOTELES Y/O COMIDAS EN RESTAURANTES, GASTOS DE REMODELACIÓN EN EXCESO DE LOS DAÑOS DIRECTOS QUE DEFINITIVAMENTE FUERON CAUSADOS EXCLUSIVAMENTE POR BOSCH, O DE OTRA FORMA. ALGUNOS ESTADOS NO PERMITEN LA EXCLUSIÓN O LIMITACIÓN DE DAÑOS INCIDENTALES O CONSECUENCIALES, Y ALGUNOS ESTADOS TAMPOCO PERMITEN LIMITAR LA DURACIÓN DEL PERÍODO DE TIEMPO DE UNA GARANTÍA IMPLICADA, DE MODO QUE LAS LIMITACIONES MENCIONADAS ARRIBA TAL VEZ NO APLICAN PARA USTED. ESTA GARANTÍA LE OTORGA DERECHOS ESPECÍFICOS, Y USTED PUEDE TENER TAMBIÉN OTROS DERECHOS QUE VARIAN DE ESTADO A ESTADO. Ningún intento de alterar, modificar o enmendar esta garantía será efectivo a menos que haya sido autorizado por escrito por un ejecutivo de BSH.

Cómo obtener el servicio de garantía: PARA OBTENER SERVICIO DE GARANTÍA PARA SU PRODUCTO, PONGASE EN CONTACTO CON SU CENTRO DE SERVICIO AUTORIZADO DE BOSCH MÁS CERCANO, O LLAME AL 800-944-2904, o escriba a Bosch a: BSH Home Appliances - 5551 McFadden Avenue, Huntington Beach, CA 92649 /

BSH reserves the right to change specifications or design without notice. Some models are certified for use in Canada. BSH is not responsible for products which are transported from the United States for use in Canada. Check with your local Canadian distributor or dealer.

BSH se réserve le droit de modifier les données techniques ou le design sans préavis. Certains modèles sont certifiés pour une utilisation au Canada. BSH n'est pas responsable pour les produits transportés des États-Unis pour une utilisation au Canada. Vérifier auprès d'un marchand ou distributeur canadien.

BSH se reserva el derecho de modificar las especificaciones o el diseño sin previo aviso. Algunos modelos están certificados para ser usados en Canadá. BSH no es responsable de productos que son transportados desde los Estados Unidos para ser utilizados en Canadá. Consulte a su distribuidor local en Canadá.

BSH Home Appliances, Corporation,
5551 McFadden Avenue,
Huntington Beach, CA 92649.
1-800-944-2904