



Life is better with Bosch

Fall/Winter 2008 home appliances full product line



BOSCH
Invented for life





From the beginning, Bosch has been committed to making your life better through innovating new technologies, upholding the highest standards of quality craftsmanship, and employing sustainable business practices and the highest respect for the environment. Principles that guide Bosch in its every endeavor.

In our efforts to do everything possible to protect our planet's fragile environment, we have developed dishwashers that use less water. Laundry systems that exceed ENERGY STAR® requirements by 102%. And all the while offering state-of-the-art features and unrivalled functionality that make your life better and more convenient.

Today, Bosch operates in almost 50 countries on every continent through subsidiaries and associated companies. All around the world, the Bosch name stands for innovation, quality and product diversity. Our dedication to these causes is obvious in our products, which have been recognized by a leading consumer publication, and backed by The *Good Housekeeping* Seal. We've also been awarded the Excellence in ENERGY STAR® Promotion Award for 2007 and 2008. Just further evidence that Bosch is committed to quality, innovation and customer satisfaction, and that our premium appliances are the ideal choice for your family.

A tradition of **commitment.**

Dishwashers	Page 02	Integra™ and Evolution Ranges & OTR	Page 56
Integra® Dishwashers	Page 16	Refrigeration	Page 72
Evolution™ Dishwashers	Page 18	Integra Refrigeration	Page 80
Ascenta™ Dishwashers	Page 22	Evolution Refrigeration	Page 86
Cooking	Page 24	Laundry	Page 88
Ovens, Warming Drawers & Microwaves	Page 26	Nexxt® Laundry System	Page 90
Benvenuto® Built-In Coffee Machines	Page 36	Axxis® Laundry Systems	Page 106
Cooktops	Page 38	Small Appliances	Page 112
Ventilation	Page 50	Dimensions and Installation	Page 114



Can a dishwasher make
your house a **better** place to live?



Absolutely, if it's a Bosch. Bosch dishwashers are the only ones to offer the unique combination of nearly silent operation, powerful features that leave dishes sparkling, intelligent functions that work around your lifestyle and an efficient operation that saves both water and electricity. All wrapped in a contemporary design that's as beautiful as it is functional. **Invented for life.**

Silence is Golden

Bosch dishwashers are the quietest manufactured in the U.S., with a silence rating as low as 42 dBA.



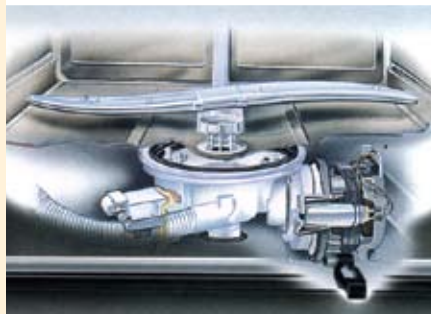
The new sound of **silence.**

Bosch dishwashers are the quietest. When in action, it's the noise factor, or rather the lack of it, that'll draw your attention. Our dishwashers are the strong, silent type. They outperform your expectations and the competition—constantly earning top rankings from leading consumer publications and test labs worldwide. With a suspended two-pump motor system, vibrations and noise are drastically reduced. And with heavy-duty bitumen coated metal and cotton-fiber sheet insulation, the noise is basically buried. Bosch's dishwashers are as discreet as they are powerful.



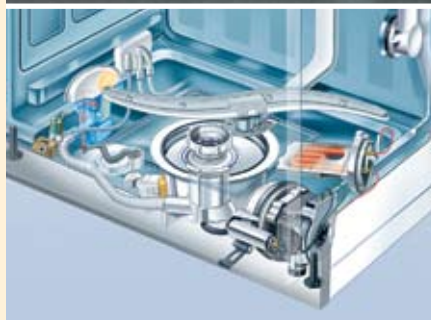
Two-Pump Motor System

By using two small pumps to individually wash and drain instead of a single large one, vibration and noise are dramatically reduced. Smaller parts and a more contained motion contribute an important part to our sound-reduction system, leaving you amazed that the dishwasher is even on.



Suspension Motor

The more isolated a motor is, the less its vibrations can be transferred. So we've suspended our two-pump motor to help absorb and minimize any vibration and noise to the housing, as it is absorbed by rubber hammocks, letting you enjoy your time in the kitchen whether the dishwasher is running or not.



Solid Molded Base

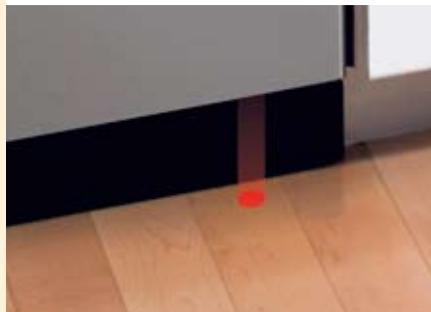
Preventing noise and leaks are what makes a good dishwasher a great one. That's why we're the only U.S. manufacturer to give our dishwashers a solid molded base. The single-piece base effectively contains sound, and prevents leaks by automatically shutting down if water is detected in the base.



Insulation*

Noise is also buried beneath the three layers of insulation inside our near-silent dishwashers. Metal, cotton fiber and heavy-duty bitumen sheets capture and dampen sound to create a decibel level no louder than raindrops.

**Insulation package varies by model.*



INFOLIGHT™

Our top models are so quiet, you may not even know they're on. That's why we designed a light that beams onto the floor when it's running.

Cleaning **efficiency** meets energy efficiency.

Cleaning with a conscience. That's what Bosch dishwashers do. They are the most efficient line of dishwashers assembled in the United States thanks to features like the advanced **ECOSENSE**[®] Wash Management System that measures soil level and adapts water consumption and heat as needed. Also, the cavities of our dishwashers are made of stainless steel, which, besides looking very sleek, makes drying more efficient. Your dishes benefit from it, and so does the environment. Select models even feature a Half Load wash option to further reduce energy and water waste. And Bosch is the only manufacturer whose entire line of dishwashers exceeds the current ENERGY STAR[®] requirements.



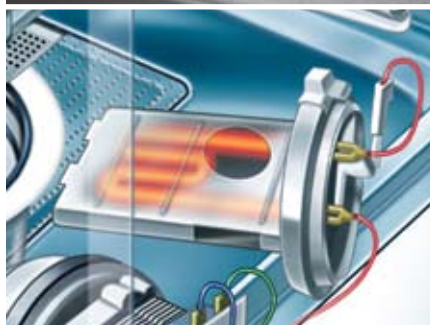
ECOSENSE

An advanced sensor system determines the soil level in the wash water and automatically deletes fresh water fills if they're not needed, saving you time and money while cutting energy usage by up to 20%.



ECOACTION™ Option

This cutting-edge cycle option adjusts water temperature and cycle length for optimal efficiency, allowing you to reduce energy usage by up to 25% with just the push of a button.



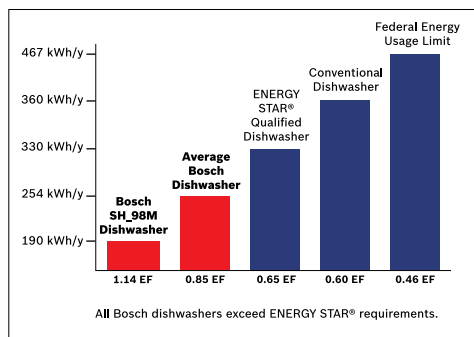
Flow Through Water Heater

In conventional dishwashers, water falls randomly onto an exposed heating element. And since not all the water touches the heating element, this results in slower and less energy-efficient heating. Bosch dishwashers, on the other hand, channel 100% of the water through tighter coils in a confined heating chamber, which heats the water quickly and efficiently up to a sanitizing temperature.

Condensation Drying

Built with a solid stainless steel tub, Bosch dishwashers utilize condensation drying to save you money on your energy bills. Condensation drying works by heating the dishes with hot water from the final rinse. Moisture condenses on the cool stainless steel tub and is drained, so your clean dishes dry without an energy-wasting active drying element.

SH_98M - Most Efficient Dishwasher in the Nation.





**ENERGY STAR® Qualified
and NSF Certified**

Proving once again that Bosch is committed to efficiency, all of our dishwashers are ENERGY STAR® qualified. Our top models (SH_98) are also the most efficient dishwashers manufactured in the U.S., at 190 kWh/yr. And our dishwashers have NSF Certified cycles.



Model shown: Evolution™ 800 Series (SHE68M05UC)



Model shown: Integra® 18 Dishwasher (SRV53C03UC with custom panel)

Safety always comes first.

You expect a lot from your kitchen appliances. State-of-the-art performance. Contemporary design. But performance and design mean nothing without safety. That's why Bosch appliances are engineered with a host of exclusive features from child locks to leak protection devices to ensure the safety of yourself and your family. When you choose Bosch, you can rely on years of worry-free operation, and that's something that delivers valuable peace of mind.



AQUASTOP® Leak Protection

Bosch is the only U.S. manufacturer to offer a high-tech leak protection system in their dishwashers. **AQUASTOP** is a precisely engineered tub and sensor system detects leaks in the solid molded base of the dishwasher, shuts down operation and automatically pumps out water before contact with floors. This eliminates the risk of costly water damage.



CHILDLOCK

Bosch offers two types of child locks for your children's safety and your peace of mind. The latch lock, once activated, prevents children from opening the dishwasher door. The control lock prevents changes to the wash program while the dishwasher is in operation.



PERFECTDOOR®

Falling dishwasher doors are a thing of the past. Bosch specially engineered **PERFECTDOOR** to stay in a fixed position when it is open more than 10 degrees. This increases safety by eliminating the possibility of the door dropping open or springing closed suddenly.



No Exposed Heating Element

Because our Flow Through Water Heater is not located in the tub and has no exposed heating element, it prevents plastic items on the bottom rack from melting. It has the added benefit of protecting you from accidental burns during unloading.



Bosch Integra® Evolution™ and Ascenta™ Dishwashers are backed by The Good Housekeeping Seal — a two-year limited warranty.

Performance, as in superior.

A dishwasher needs to get your dishes clean. Really clean. Bosch dishwashers are engineered to perform at the highest levels, to spotlessly remove even the toughest soiling. Think baked-on spinach. At the same time, smart technologies ensure that Bosch power is directed in a way that smartly manages energy and water consumption, while protecting delicate items, preserving their brilliant shine wash after wash, year after year.

ECOSENSE® Wash Management System, standard on all models, uses an advanced sensor system to assess the level of soil in the wash water. It then determines whether more fresh water fills are necessary, deleting the cycle when appropriate. This saves time and money while cutting energy usage by up to 20%. Variable spray pressure uses a stronger cycle with more pressure or a weaker cycle with less pressure, each achieving better wash results.

Select Bosch dishwashers feature a load sensing system that adjusts water temperature and cycle time to achieve perfect results while minimizing water and energy usage.



Auto Super Wash

Simply select the Auto Super Wash program, and the dishwasher analyzes the soil level of your dishes and adjusts the wash temperature to between 130 and 150 degrees. Analyzing the clarity of the wash water, the sensor system also determines whether or not a second fresh water cycle is needed, ensuring your dishes get clean while avoiding unnecessary refills to conserve water.

Auto Delicate Wash

This automated wash setting is for use with your fragile china, allowing you to get it perfectly clean without the hassle of hand washing, or the worry of damaging it in the dishwasher. This setting is delicate on your dishes, keeping them in perfect condition, and ready for your next special occasion.

PARTYWASH®

Our fastest one yet, this cycle allows you to wash a lightly soiled load in just 30 minutes. It's perfect for times when you need to keep your party going.

Extreme Wash

Our toughest cycle, the Extreme Wash was designed to wash away even hard-to-remove food. It adjusts the amount of water and increases the wash and rinse temperature to thoroughly clean and sanitize your dishes.

Automation. It could not be simpler.

At Bosch, our commitment is to enhance your quality of life by making your household chores as simple and hands-off as they can be. So it is only appropriate that we would be leading the way in making dishwashers fully automatic. One touch is all it takes for our top-of-the-line models to automatically sense the level of soiling, the size of your load and the cleaning progress made throughout the wash process. They analyze the results, then continuously adjust water temperature, duration of the wash cycle and even the amount of water needed.

Variable Spray Pressure

This feature adjusts water pressure based on the cycle you select. Lower, gentler pressure is used for Auto Delicate or Glass Care cycles, while high pressure is used for modes such as Auto Super Wash, Auto Plus and Extreme Wash.

Optional Delay Start

With a nineteen or twenty four-hour timer, Bosch dishwashers work on your schedule. Program them to start once guests leave or after you've drifted off to sleep. Wait until you're out of the house, or run it in off-peak evening hours for even greater savings on your energy bill.



OPTIDRY®

Multiple sensors automatically detect the presence of a rinse agent and measure its level in the dispenser, automatically adjusting the final temperature and wash cycle for spotless drying results with each wash.



Convenience is of the essence.

Everything has been thought of when it comes to Bosch dishwashers. Like having an adjustable top rack that allows you to safely put tall stemware in without having to lay them flat. With our **TALLTUB**, we've created more interior room, maximizing use of space, so dinner plates can be placed in both top and bottom racks. And should you want to make your dishwasher invisible, you can outfit it with a custom panel that matches the neighboring cabinets. Integrated controls on the upper door rim also allow you to seamlessly blend your dishwasher with your cabinetry, to give you an uninterrupted kitchen design.

ADA Compliant Dishwasher

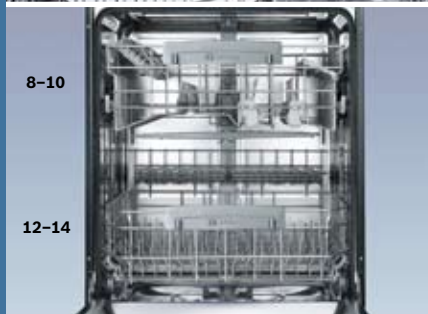
Bosch offers an ADA-compliant model that can be installed one of two ways. In a lowered position with a standard toe-kick, it is ADA-compliant. For conventional applications, it can be raised to accommodate a 6" toe-kick for European style kitchen installations (this installation is not ADA compliant, however). The dishwasher's fully integrated design lets you use custom panels or a stainless steel accessory door (SGZ2055UC) to complete your kitchen's custom look. And of course, each model offers the top-rated silence and efficiency that our dishwashers are famous for.

18" Dishwasher

The 18" Integra Dishwasher opens up an entire new world of possibilities. This design lets you enjoy state-of-the-art Bosch dishwashing technology virtually anywhere: small urban kitchens, mini bars, or even as an extra unit in your full-sized kitchen. And every 18" Integra® complies with ADA (American Disabilities Act) European countertop height guidelines.

Platinum Premium Racks

High-quality racks are coated with platinum nylon to protect your delicate dishware. And for optimal space efficiency you can customize your layout with eight rows of flip down tines in the lower rack and an XLFlexible two-piece silverware basket.



8-10

12-14

Extra Capacity

More capacity means more convenience. So Bosch dishwashers have extra-large interior space, allowing you to fit up to 14 place settings.

RACKMATIC®

To accommodate large or oddly shaped dishes, **RACKMATIC** allows you to raise or lower the platinum premium or platinum mid upper rack at the touch of a lever (even when full), giving you up to 14" of space on the bottom or 10" on top.

Extra Tall Item Sprinkler

Hand washing large items becomes a thing of the past thanks to this handy innovation. Simply remove the top rack and place your serving platters, baking trays, hood filters and refrigerator shelves that are up to 22" high in the bottom rack. Start the machine, and the sprinkler evenly distributes water across every large item, for sparkling-clean results every time.

Stainless Steel TALLTUB

The specially engineered Bosch **TALLTUB** is not only space efficient, but energy efficient. Allowing up to an incredible 22" of usable space when you remove the top rack, its high-quality stainless steel construction retains heat better than plastic tubs, which helps dry dishes faster and more efficiently.



Optional Half Load Wash

Use this option when washing small, lightly soiled loads that fill half or less of the dishwasher's capacity on both the top and bottom racks. It dramatically reduces energy and water consumption, and can be used with the Power Scrub Plus, Regular and Auto Wash cycles.



Dishwashers

Integra®



800 Series



Model Number SHX98M



Model Number SHX68M

Silence Rating	42–45 dBA
Efficiency	190–234 kWh/yr
Safety	AQUASTOP®
Racks	Platinum Premium
Wash Cycles	6–9

Evolution™



800 Series



Model Number SHE98M



Model Number SHE68M

Silence Rating	42–45 dBA
Efficiency	190–234 kWh/yr
Safety	AQUASTOP
Racks	Platinum Premium
Wash Cycles	6–9

Integra® Colors



Stainless Steel



Black



White



Titanium



Fully Integrated

500 Series



Model Number SHX55M



Model Number SHX45M

300 Series



Model Number SHX43M



Model Number SHX33M

48-51 dBA

259 kWh/yr

AQUASTOP

Platinum Mid

4-5

54-57 dBA

259 kWh/yr

AQUASTOP

Platinum Standard

3-4

500 Series



Model Number SHE55M



Model Number SHE45M

300 Series



Model Number SHE43M



Model Number SHE33M

48-51 dBA

259 kWh/yr

AQUASTOP

Platinum Mid

4-5

54-57 dBA

259 kWh/yr

AQUASTOP

Platinum Standard

3-4

Evolution™ Colors



Stainless Steel



Black



White



Integra®

Specifications



Model Number

800 Series
SHX98M03UC
SHV98M03UC (Fully Integrated)

800 Series
SHX68M03UC
SHV68M03UC (Fully Integrated)

500 Series
SHX55M03UC

Core Features

	SS w/Display/SS/FI	SS w/Display/SS/B/W/FI	SS/B/W
Color Options			
Stainless Steel TALLTUB	•	•	•
Two-Pump Motor System	•	•	•
Suspension Motor	•	•	•
Triple Filtration System	•	•	•
Flow Through Water Heater	•	•	•
Five Level Wash	•	•	•
Condensation Drying	•	•	•
Nylon Coated Racks	•	•	•
NSF Certified Cycles	•	•	•
Electronic Controls	•	•	•
ENERGY STAR® qualified	•	•	•
ADA Compliant/EuroTub			

Silence

dBa	42 dBA	45 dBA	48 dBA
-----	--------	--------	--------

Energy

kWh/yr	190 kWh/yr	234 kWh/yr	259 kWh/yr
--------	------------	------------	------------

Safety

Leak Protection System	AQUASTOP®	AQUASTOP	AQUASTOP
PERFECTDOOR®	•	•	•

Wash Cycles

	9	6	5
Power Scrub Plus			•
Regular Wash	•	•	•
AUTOWASH™ (130°–150°)	•	•	•
Delicate Wash			•
QUICKWASH/PARTYWASH	30 min	30 min	30 min
Rinse & Hold	•	•	
Auto Super Wash	•	•	
Auto Plus		•	
Auto Delicate Wash	•	•	
Extreme Wash	•		
Glass Care	•		
Enviro Wash	•		

Options

	2	3	3
Half Load		•	•
ECOACTION™		•	•
Sanitize	•		
Delay Start	1–24 hr	1–19 hr	1–19 hr
POWERBOOST			

Wash Sensor

ECOSENSE®	•	•	•
Turbidity	•	•	•
Load Size	•		

Upper Rack

	Platinum Premium	Platinum Premium	Platinum Mid
Adjustability			
Place Setting Capacity	RACKMATIC® 14	RACKMATIC 14	RACKMATIC 14
Flip Tines	4 Half Flip-Down Rows	4 Half Flip-Down Rows	2 Half Flip-Down Rows
Cup Shelf	2	2	2
Fine Cutlery and Silver Tray	•	•	

Lower Rack

	Platinum Premium	Platinum Premium	Platinum Mid
Flip Tines	8 Half Flip-Down Rows	8 Half Flip-Down Rows	4 Half Flip-Down Rows
Silverware Basket and Cover	Flexible	Flexible	Flexible
Mezzanine Rack	•		

Display

LED			
Multi-Function LED		•	•
Multi-Function Text LCD Display (Top)	•	•	•
Remaining Time	•	•	•
Program Sequence Indicator	•	•	•
INFOLIGHT™	• (SHX98M09UC excluded)	• (SHX68M09UC excluded)	•
Sanitized Indicator Light	•	•	•
Rinse Aid Indicator Light	•	•	•

Other

Extra Tall Item Sprinkler	•	•	
Detergent and Rinse Aid Dispenser	•	•	•
End of Cycle Sound	•	•	•
OPTIDRY®	•	•	•
CLEARTOUCH®	•	•	
Sturdy Door	•	•	
Variable Spray Pressure	•	•	

Color Key: The "x" in the model number indicates the color variant. Please use this color key:

9 = Stainless Steel w/ Display (SS w/Display) 6 = Black (B) 3 = Fully Integrated (FI)
5 = Stainless Steel (SS) 2 = White (W) 1 = Titanium (TI)



500 Series
SHV45M03UC
(Fully Integrated)

300 Series
SHX43M0xUC

300 Series
SHX33M0xUC

Special Application
SRV53C03UC (18")
(Fully Integrated)

Special Application
SGV45E03UC
(Fully Integrated)

SS/B/W/Fl/Titanium	SS/B/W	SS/B/W	SS*/Fl	SS*/Fl
.
.
.
.
.
.
.
.
51 dBA	54 dBA	57 dBA	48 dBA	46 dBA
259 kWh/yr	259 kWh/yr	259 kWh/yr	315 kWh/yr	290 kWh/yr
AQUASTOP	AQUASTOP	AQUASTOP	AQUASTOP	AQUASTOP
.
4	4	3	5	4
.
.
30 min	30 min	.	35 min	30 min
.
2	1	0	1	2
.
1-19 hr	1-19 hr	.	1-19 hr	1-19 hr
.
.
Platinum Mid RACKMATIC 14	Platinum Standard Manual 14	Platinum Standard Manual 14	Premium RACKMATIC 9	Premium RACKMATIC 10
2 Half Flip-Down Rows	1 Half Flip-Down Row	1 Half Flip-Down Row	2 Half Flip-Down Rows	6 Half Flip-Down Rows
2	2	2	2	2
.
Platinum Mid 4 Half Flip-Down Rows Flexible	Platinum Standard Standard	Platinum Standard Standard	Premium 4 Half Flip-Down Rows Flexible	Premium 4 Half Flip-Down Rows Flexible
.
.
.
.
.
.
.
.
.
.

Dishwasher Warranty: 1 year parts and labor, 2 years parts, 5 years on all electronic components (parts only), 5 years on racks (parts only), lifetime warranty against rust-through on tub. Certain limitations apply. See manufacturer's limited warranty for details.

*Optional Stainless Steel accessory panel available. See Accessories on p.16.

Evolution™

Specifications



Model Number

800 Series
SHE98M0xUC

800 Series
SHE68M0xUC

800 Series
SHE58C0xUC

Core Features

Color Options	SS	SS/B/W	SS/B/W
Stainless Steel TALLTUB	•	•	•
Two-Pump Motor System	•	•	•
Suspension Motor	•	•	•
Triple Filtration System	•	•	•
Flow Through Water Heater	•	•	•
Five Level Wash	•	•	•
Condensation Drying	•	•	•
Nylon Coated Racks	•	•	•
NSF Certified Cycles	•	•	•
Electronic Controls	•	•	•
ENERGY STAR® qualified	•	•	•

Silence

dBA	42 dBA	45 dBA	48 dBA
-----	--------	--------	--------

Energy

kWh/yr	190 kWh/yr	234 kWh/yr	290 kWh/yr
--------	------------	------------	------------

Safety

Overflow Protection System	AQUASTOP®	AQUASTOP	AQUASTOP
CHILDLOCK	Latch	Latch	Latch
PERFECTDOOR® with AUTOCLOSE™	•	•	•

Wash Cycles

Power Scrub Plus			
Regular Wash	•	•	•
AUTOWASH™ (130°–150°)	•	•	•
Delicate Wash	•	•	•
QUICKWASH/PARTYWASH	30 min	30 min	30 min
Rinse & Hold	•	•	•
Auto Super Wash	•	•	•
Auto Plus	•	•	•
Auto Delicate Wash	•	•	•
Extreme Wash	•	•	•
Glass Care	•	•	•
Enviro Wash	•	•	•

Options

Half Load	2	3	2
ECOACTION™	•	•	•
Sanitize	•	•	•
Delay Start	1–24 hr	1–19 hr	1–19 hr

Wash Sensor

ECOSENSE®	•	•	•
Turbidity	•	•	•
Load Size	•	•	•

Upper Rack

Adjustability	Platinum Premium	Platinum Premium	Platinum Premium
	RACKMATIC®	RACKMATIC	RACKMATIC
Place Setting Capacity	14	14	14
Flip Tines	4 Half Flip-Down Rows	4 Half Flip-Down Rows	4 Half Flip-Down Rows
Cup Shelf	2	2	2
Fine Cutlery and Silver Tray	•	•	•

Lower Rack

Flip Tines	Platinum Premium	Platinum Premium	Platinum Premium
	8 Half Flip-Down Rows	8 Half Flip-Down Rows	8 Half Flip-Down Rows
Silverware Basket and Cover	Flexible	Flexible	Flexible
Mezzanine Rack	•	•	•

Display

LED			
Multi-Function LED	•	•	•
Multi-Function Text LCD Display (Front)	•	•	•
Remaining Time	•	•	•
Program Sequence Indicator	•	•	•
INFOLIGHT™			
Sanitized Indicator Light	•	•	•
Rinse Aid Indicator Light	•	•	•

Other

Extra Tall Item Sprinkler	•	•	•
Detergent and Rinse Aid Dispenser	•	•	•
End of Cycle Sound	•	•	•
OPTIDRY®	•	•	•
CLEARTOUCH®	•	•	•
Sturdy Door	•	•	•
Variable Spray Pressure	•	•	•

Color Key: The “x” in the model number indicates the color variant. Please use this color key:

5 = Stainless Steel (SS)

6 = Black (B)

2 = White (W)



500 Series
SHE55M0xUC



500 Series
SHE55C0xUC



500 Series
SHE45M0xUC



300 Series
SHE43M0xUC



300 Series
SHE33M0xUC

SS/B/W

•
•
•
•
•
•
•
•

48 dBA

259 kWh/yr

AQUASTOP
Control

5
•
•

30 min

3
•

1-19 hr

•
•

Platinum Mid
RACKMATIC
14
2 Half Flip-Down Rows
2

Platinum Mid
4 Half Flip-Down Rows
Flexible

•
•
•
•
•

SS/B/W

•
•
•
•
•
•
•
•

48 dBA

307 kWh/yr

AQUASTOP

5
•
•

30 min

2
•

1-24 hr

•
•

Platinum Mid
RACKMATIC
14
2 Half Flip-Down Rows
2

Platinum Mid
4 Half Flip-Down Rows

•
•
•
•
•

SS/B/W

•
•
•
•
•
•
•
•

51 dBA

259 kWh/yr

AQUASTOP
Control

4
•
•

30 min

2
•

1-19 hr

•
•

Platinum Mid
RACKMATIC
14
2 Half Flip-Down Rows
2

Platinum Mid
4 Half Flip-Down Rows
Flexible

•
•
•
•
•

SS/B/W

•
•
•
•
•
•
•
•

54 dBA

259 kWh/yr

AQUASTOP
Control

4
•
•

30 min

1

1-19 hr

•
•

Platinum Standard
Manual
14
1 Half Flip-Down Row
2

Platinum Standard
Standard

•
•
•
•
•

SS w/Black Control/B/W

•
•
•
•
•
•
•
•

57 dBA

259 kWh/yr

AQUASTOP
Control

3
•
•

30 min

0

1-19 hr

•
•

Platinum Standard
Manual
14
1 Half Flip-Down Row
2

Platinum Standard
Standard

•
•
•
•
•

Dishwasher Warranty: 1 year parts and labor, 2 years parts, 5 years on all electronic components (parts only), 5 years on racks (parts only), lifetime warranty against rust-through on tub. Certain limitations apply. See manufacturer's limited warranty for details.



Model shown: Ascenta™ (SHE5AM05UC)

The new Ascenta™

The new Ascenta dishwasher offers outstanding Bosch quietness, efficiency and a rich feature set as a superior alternative to all-plastic tub dishwashers. Our exclusive stainless-steel wash tub with a polypropylene base is more durable and is color fast and food proof, so it will not stain. We also incorporated proven safety technology with the Overflow Protection System, convenient features like **EASYLOAD™** racks and a new high-performance Triple Filtration System. Make Ascenta your first Bosch dishwasher.



Overflow Protection System

This 24/7 Overflow Protection System senses leaks even if the dishwasher is turned off. In case water levels get too high the dishwasher pumps the water out of the tub and closes the water inlet.



Triple Filtration

The new triple filtration system uses a three-step process to remove even the finest dirt particles from the washing cycle for sparkling clean dishes and glasses every time. The new innovative design increases filtration effectiveness. And all three filter elements are self-cleaning for worry-free operation.



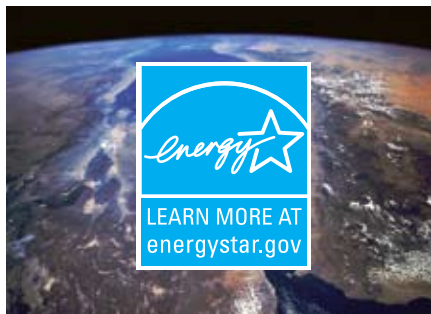
EASYLOAD Racks

Our **EASYLOAD** racks are designed with varying space between the tines to accommodate virtually any type of dish as well as hold a large number of glasses. Space is efficiently organized making proper loading easy and intuitive. Some models are equipped with foldable flip-tines, a manually adjustable top rack and two cup shelves for maximum loading flexibility.



Ultra-quiet Drain Pump

A new drain pump design reduces noise while draining. Plus, a new dispenser location and optimized hydraulics combined with our famous suspension motor and two-pump motor system make the Bosch Ascenta the quietest dishwasher in its class with a sound output between 50 and 57 dBA.



Efficiency

Bosch ENERGY STAR® qualified dishwashers offer class-leading efficiency thanks to cutting-edge technology. Ascenta's energy rating is 300 kWh/y, well below ENERGY STAR® requirements. They also feature **ECOSENSE®**, which optimizes temperature and water level to save up to 20% on energy usage.

Ascenta™ Specifications

DLX
SERIES



Model Number

Ascenta - Evolution
SHE4AM0xUC

Ascenta - Evolution
SHE4AM1xUC

Ascenta - Evolution
SHE5AL0xUC

Ascenta - Evolution
SHE5AM0xUC

Core Features

Color Options	SS/B/W	SS/B/W	SS/B/W	SS/B/W
Stainless Steel TALLTUB with PP*	•	•	•	•
Two-Pump Motor System	•	•	•	•
Suspension Motor	•	•	•	•
Triple Filtration System	•	•	•	•
Flow Through Water Heater	•	•	•	•
Five Level Wash	•	•	•	•
Condensation Drying	•	•	•	•
Nylon Coated Racks	•	•	•	•
NSF Certified Cycles	•	•	•	•
Electronic Controls	•	•	•	•
ENERGY STAR® Qualified	•	•	•	•

Silence Rating

dBa	57 dBA	53 dBA	53 dBA	53 dBA
-----	--------	--------	--------	--------

Energy

kWh/yr	300 kWh/yr	300 kWh/yr	300 kWh/yr	300 kWh/yr
--------	------------	------------	------------	------------

Safety

Overflow Leak Protection	•	•	•	•
CHILDLOCK	Control	Control	Control	Control

Wash Cycles

	4	4	5	5
Power Scrub Plus	•	•	•	•
Regular Wash	•	•	•	•
AUTOWASH™	•	•	•	•
Delicate/Econo Wash	•	•	•	•
QUICKWASH	•	•	•	•
Rinse & Hold	•	•	•	•
ECOWASH	•	•	•	•

Options

Half Load	1	2	2	2
Delay Start	3-6-9 hr	3-6-9 hr	3-6-9 hr	1 - 24 hr

Wash Sensor

ECOSENSE®	•	•	•	•
------------------	---	---	---	---

Upper Rack

Adjustability	Standard EASYLOAD™	Standard EASYLOAD Manual	Standard EASYLOAD	Mid EASYLOAD Manual
Place Settings Capacity	12	12	12	12
Flip Tines	1 Half Flip-Down Row	1 Half Flip-Down Row	1 Half Flip-Down Row	2 Full Flip-Down Rows
Cup Shelves			1	2

Lower Rack

Flip Tines	Standard EASYLOAD	Standard EASYLOAD	Standard EASYLOAD	Mid EASYLOAD
Silverware Basket and Cover	Standard	Standard	Standard	2 Full Flip-Down Rows Flexible

Display

LED	•	•	•	•
Multi-Function LED	•	•	•	•
Remaining Time	•	•	•	•
Sanitized Indicator Light	•	•	•	•
Rinse Aid Indicator Light	•	•	•	•

Other

Detergent and Rinse Aid Dispenser	•	•	•	•
OPTIDRY®	•	•	•	•



Model Number SHE4AM0



Model Number SHE4AM1



Model Number SHE5AL0



Model Number SHE5AM0

DLX
SERIES



Ascenta - Integra
SHX3AM0xUC



Ascenta - Integra
SHX5AL0xUC



Ascenta - Integra
SHX6AP0xUC

SS/B/W

•
•
•
•
•
•
•
•
•

53 dBA

300 kWh/yr

•

3

•
•
•
•

0

•

Standard **EASYLOAD**

12
1 Half Flip-Down Row

Standard **EASYLOAD**

Standard

•

•

•

SS/B/W

•
•
•
•
•
•
•
•
•

53 dBA

300 kWh/yr

•

5

•
•
•
•
•

2
3-6-9 hr

•

Standard **EASYLOAD**

12
1 Half Flip-Down Row
1

Standard **EASYLOAD**

Standard

•

•

•

SS/B/W

•
•
•
•
•
•
•
•
•

50 dBA

300 kWh/yr

•

6

•
•
•
•
•

2
3-6-9 hr

•

Mid **EASYLOAD**

Manual
12
1 Flip-Down Row
2

Mid **EASYLOAD**

Flexible

•

•

•



Model Number SHX3AM0



Model Number SHX5AL0



Model Number SHX6AP0

*Polypropylene base
SS - Stainless Steel, B - Black, W - White

Bosch Ascenta dishwashers have the same warranty as all Bosch dishwashers. Dishwasher Warranty: 1 year parts and labor, 2 years parts, 5 years on all electronic components (parts only), 5 years on racks (parts only), lifetime warranty against rust-through on tub. Certain limitations apply. See manufacturer's limited warranty for details.





Cooking **solutions** that fit the way you live.



You lead a busy life, and we understand that the way you cook may change from moment to moment. One night you might whip up something simple for the kids after a long day at work. Other days, you'll prepare a romantic dinner for just the two of you. You may even entertain friends on the weekend with a multi-course gourmet feast. No matter how you like to cook, Bosch makes preparing your favorite meals easier and more enjoyable with advanced kitchen appliances that offer state-of-the-art technology, ingenious features and handsome contemporary designs. **Invented for life.**



Models shown: Double Oven 800 Series (HBL8650) and Warming Drawer (HWD3050)

No other oven **measures** up.

Bosch introduces built-in ovens worth getting excited about. With the greatest capacity on the market and new safety and efficiency-oriented features, they deliver an impressive package that fulfills your expectations for premium home appliances. When we say its ultra-fast preheat prepares the oven to be cooking-ready in under 7 minutes, it really will be. Our ovens effortlessly uphold the Bosch tradition of quality and reliability, since we only use the highest-quality materials.



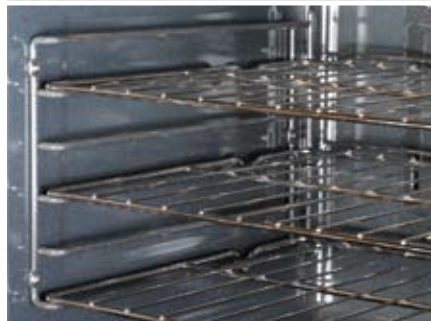
#1 In Capacity

At 4.7 cubic feet, our oven is the largest on the market. Plus, with 6-way rack adjustability, you can cook for the whole family simultaneously. An expansive viewing window and bright halogen lighting system make monitoring the progress of your meal easier than ever.



Telescopic Rack

This full-extension rack glides easily on ball bearings and extends over the open oven door for complete access to your food, allowing you to baste large cuts of meat and poultry safely without reaching into the oven. The telescopic rack comes standard on select models and is also available as a separate accessory.



High-Quality Rack Supports

Bosch's heavy-duty rack supports can hold even the heaviest dishes while allowing racks to glide more smoothly than traditional ribbed oven cavities. They make it easy to change racks or mount telescopic racks, and bring a modern, sleek look to the kitchen.

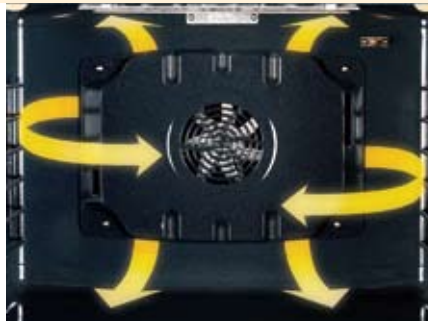


Recessed Heating Element

A recessed top heating element and a fully concealed bottom heating element allow for greater interior capacity, unprecedented safety when removing dishes, and extremely easy cleaning.

Convenience meets **quality.**

Only when quality, performance and efficiency come together is an oven truly a Bosch. And our unwillingness to compromise on any of these principles is obvious, as you can see from their sleek, high-quality glass touch controls, available Genuine European Convection for superior cooking performance, and beautiful flush-to-cabinet design for a built-in look. Plus, every Bosch oven is 100% quality tested before shipping. It's this kind of attention to detail and impeccable craftsmanship that make Bosch ovens the perfect cook's accessory, promising years of outstanding performance.



Genuine European Convection w/ACS

This feature offers a powerful 2000-watt third heating element that surrounds the convection fan, circulating preheated air throughout the oven. By optimizing heat circulation within the oven cavity, our Advanced Circulation System (ACS) allows food to be cooked more evenly in up to 30% less time.



CLEARTOUCH® Glass Control

Bosch ovens offer high-quality smooth glass touch controls that are as easy to use as they are beautiful. And operating our ovens is simple, with up to 16 heating modes, so the perfect program is available at your fingertips, no matter what dish you want to cook.



Fastest Preheat

When speed is of the essence, Bosch ovens can help. With the fastest preheat on the market, our ovens can be ready to cook in about seven minutes. This, combined with the convection mode, allows you to substantially reduce overall cooking time. Also, fast preheat is available for up to seven cooking modes.



ECOCLEAN™ Self-Clean Cycle

Our built-in ovens' 2-hour self-clean cycle, the industry's best, delivers improved energy efficiency by running for the shortest period of time possible and makes the kitchen a safer place. Plus, it allows you to use your time in the kitchen for cooking, rather than cleaning.



Model shown: 300 Series Single Oven (HBL3350)



Model shown: 800 Series Combination Oven (HBL8750)

Ultimate cooking combinations.

At last, microwaves that won't be destined to hide inside a cabinet, and warming drawers that don't appear as if they were an afterthought to the rest of the kitchen. Bosch built-in microwaves and warming drawers are the ultimate marriage of stylish form and cooking function. For easy installation, microwaves and warming drawers are available in a variety of configurations, and can fit into a single cutout. And for even more convenience, both are offered as a convection model. So you can easily outfit your kitchen to help you perform cooking or warming tasks with ultimate ease and sophistication.



Multiple Recipes

Our microwaves offer multiple recipe settings to make cooking easier for you, allowing you to spend more time with your family than preparing dinner.



Convection Microwave

Bosch convection microwaves offer you faster and more even cooking results than traditional microwaves, and also offer the advantage of having a second convection oven available. So there are no limits to what you can do in the kitchen.



Warming Drawer

For the ultimate in convenience and functionality, Bosch offers a stylish warming drawer with four temperature settings for prewarming dishes, heating rolls or keeping food hot for late arrivals. This sophisticated addition to the kitchen features a hidden touch control panel inside the drawer for a beautiful, seamless appearance.



Designs that Coordinate

Bosch warming drawers are designed to match perfectly with Bosch ovens to complete your kitchen. Plus, they offer a touch control and timer with color-matching display, enormous capacity and lower sidewalls for easy access to food, for superior performance and convenience.

Oven Specifications



Model Number	800 Series HBL8750UC	800 Series HBL8650UC	800 Series HBL8450UC	500 Series HBL57x0UC	500 Series HBL56x0UC	500 Series HBL54x0UC
Type	30" Combination	30" Double	30" Single	30" Combination	30" Double	30" Single
Color Options	SS	SS	SS	SS/B/W	SS/B/W	SS/B/W
Microwave Configuration**	Convection			Traditional		
Appearance						
Flush-to-Cabinet Design	•	•	•	•	•	•
Touch Control	•	•	•			
Ergonomic Retractable Dials				•	•	•
Ergonomic Dials						
Amber Colored Full Text Display	•	•	•	•	•	•
Amber Colored Display						
Performance						
Genuine European Convection	•	Upper / Lower	•	•	Upper	•
Speed Convection	•	Upper / Lower	•	•	Upper	•
Convection Bake, Broil, Roast	•	Upper / Lower	•	•	Upper	•
Bake, Broil, Roast	•	Upper / Lower	•	•	Upper / Lower	•
Pizza, Pie	•	Upper / Lower	•	•	Upper	•
Recipes	•	Upper / Lower	•	•	Upper	•
Fast Preheat	•	Upper / Lower	•	•	Upper	•
Meat Probe	•	Upper	•	•	Upper	•
ECOCLEAN™ Self-Clean Mode	2-hr Cycle	2-hr Cycle	2-hr Cycle	2-hr Cycle	2-hr Cycle	2-hr Cycle
Sabbath Mode	•	•	•	•	•	•
Panel Lock	•	•	•			
Convenience						
Ball Bearing Telescopic Racks	1	1	1			
Standard Racks	2	5	2	3	5	3
Porcelain Self Clean Rack Supports	•	•	•	•	•	•
Porcelain Broil Pan	•	•	•	•	•	•
Cavity Lighting	3 Halogen	3 Halogen per Cavity	3 Halogen	2	2 per Cavity	2
Concealed Bake Element	•	•	•	•	•	•
Recessed 10 Pass Broil Element	•	•	•	•	•	•
Overall Oven Capacity*	4.7 cu.ft.	4.7 cu.ft.	4.7 cu.ft.	4.7 cu.ft.	4.7 cu.ft.	4.7 cu.ft.
Technical						
Convection Element Wattage	2,000 W	2,000 W	2,000 W	2,000 W	2,000 W	2,000 W
Broil Element Wattage	3,600 W	3,600 W	3,600 W	3,600 W	3,600 W	3,600 W
Bake Element Wattage	2,000 W	2,000 W	2,000 W	2,000 W	2,000 W	2,000 W
Dual-Rated 120/208-240 V, 4-Wire, 60 Hz	•	•	•	•	•	•
Amps	50 A	40 A	30 A	50 A	40 A	30 A
Approximate Shipping Weight	267 lb	302 lb	174 lb	267 lb	302 lb	174 lb

Color Key:

The "x" in the model number indicates the color variant. Please use this color key:

5 = Stainless Steel (SS)

6 = Black (B)

2 = White (W)

Accessories	Model Number
30" Ball Bearing Telescopic Rack	HEZ1070
27" Ball Bearing Telescopic Rack	HEZ1077



Stainless Steel

(HBL5650UC model shown)



Black

(HBL5660UC model shown)



White

(HBL5620UC model shown)

*According to AHAM standards. **Please refer to the Microwave section for specifications.



500 Series
HBN56x0UC

500 Series
HBN54x0UC

300 Series
HBL35x0UC

300 Series
HBL34x0UC

300 Series
HBL33x0UC

300 Series
HBN35x0UC

300 Series
HBN34x0UC

27" Double
SS

27" Single
SS

30" Double
SS/B

30" Single
SS/B

30" Single
SS/B

27" Double
SS

27" Single
SS

•

•

•

•

•

•

•

•

•

•

•

•

•

•

•

•

•

•

•

•

•

Upper

Upper

Upper

Upper / Lower

Upper

Upper

Upper

Upper

2-hr Cycle

•

•

•

•

•

•

•

•

•

Upper

Upper / Lower

Upper

Upper

2-hr Cycle

•

•

•

•

2-hr Cycle

•

•

•

•

2-hr Cycle

Upper

Upper / Lower

Upper

Upper

2-hr Cycle

•

•

•

•

2-hr Cycle

5

•

•

2 per Cavity

•

4.2 cu.ft.

3

•

•

2

•

4.2 cu.ft.

5

•

1 per Cavity

•

4.7 cu.ft.

3

•

•

1

•

4.7 cu.ft.

2

•

•

1

•

4.7 cu.ft.

5

•

1 per Cavity

•

4.2 cu.ft.

3

•

•

1

•

4.2 cu.ft.

2,000 W

3,600 W

2,000 W

•

40 A

253 lb

2,000 W

3,600 W

2,000 W

•

30 A

132 lb

3,600 W

2,000 W

•

40 A

302 lb

3,600 W

2,000 W

•

30 A

174 lb

3,600 W

2,000 W

•

30 A

174 lb

3,600 W

2,000 W

•

40 A

253 lb

3,600 W

2,000 W

•

30 A

132 lb



Warranty Information: BSH warrants that its Ovens are free from defects in materials and workmanship for a period of twelve (12) months from the Date of Installation. During the warranty period, BSH or its authorized service center will repair or replace, at its sole option, any Oven that proves to have been defective under conditions of normal use without charge. All removed parts and components shall become the property of BSH, at BSH's option. All replaced and/or repaired parts shall assume the identity of the original part for purposes of this warranty and this warranty shall not be extended with respect to such parts.

Warming Drawer Specifications



Model Number	HWC800500	HWD30x0UC	HWD27x0UC
Color Options	SS	SS/B/W	SS
Width	30"	30"	27"
Warming Drawer Configuration	Convection	Traditional	Traditional
Appearance			
Flush-to-Cabinet Design	•	•	•
Touch Control	•	•	•
Amber Colored Display	•	•	•
Accepts Custom Wooden Panel	•	•	•
Performance			
Power Levels	Low/Med/High	Low/Med/High	Low/Med/High
Glass Ceramic Heating Plate	•		
Convection Heating	•		
Proof	•	•	•
Sabbath Mode		•	•
450 Watt Element Concealed Below Drawer		•	•
Convenience			
Ball Bearing Drawer Guides	•	•	•
Lower Side Walls for Easy Access	•	•	•
Moisture Selector "Moist or Dry"	•	•	•
Timer (5 min – 5 hr)	•	•	•
Technical			
Warming Drawer Wattage	1,000 W	450 W	450 W
Overall Warming Drawer Capacity	2.0 cu.ft.	2.6 cu.ft.	2.3 cu.ft.
Amps	20 A	15 A	15 A
Power Supply	120 V, 60 Hz	120 V, 60 Hz	120 V, 60 Hz

Color Key:

The "x" in the model number indicates the color variant. Please use this color key:

- 5 = Stainless Steel (SS)
- 6 = Black (B)
- 2 = White (W)



Stainless Steel
(HWD3050UC model shown)



Black
(HWD3060UC model shown)



White
(HWD3020UC model shown)



Warranty Information: BSH warrants that its Warming Drawer is free from defects in materials and workmanship for a period of twelve (12) months from the Date of Installation. During the warranty period, BSH or its authorized service center will repair or replace, at its sole option, any Warming Drawer that proves to have been defective under conditions of normal use without charge. All removed parts and components shall become the property of BSH, at BSH's option. All replaced and/or repaired parts shall assume the identity of the original part for purposes of this warranty and this warranty shall not be extended with respect to such parts.

Microwave Specifications



Model Number	HMB80x0	HMB50x0
Color Options	SS/B/W	SS/B/W
Microwave Configuration	Convection	Traditional
Appearance		
Touch Control	•	•
Amber Colored Scroll Text Display	•	•
Matching Built-In Trim Kit 27"	HMT8750	HMT5750
Matching Built-In Trim Kit 30"	HMT80x0	HMT50x0
Performance		
Microwave Power	1,000 W	1,200 W
Power Levels	10	10
Microwave Technology	Inverter	Inverter
Convection Cooking	•	•
Convection Wattage	1,400 W	
Sensor Cook	9 Recipes	18 Recipes
Auto Convection Cook	Cake/Pie	
Quick Defrost	•	•
Smart Sensor Reheat	•	•
Auto Reheat Beverages	•	•
Sensor Popcorn	•	•
Keep Warm	•	•
Convenience		
Turntable	Recessed Ceramic 15"	Recessed Glass 16 1/2"
Clock	•	•
Kitchen Timer	•	•
Delay Start	•	•
Quick Min	•	•
More/Less	•	•
Pause/Stop	•	•
Technical		
Overall Microwave Capacity	1.5 cu.ft.	2.1 cu.ft.
Amps	20 A	20 A
Power Supply	120 V, 60 Hz	120 V, 60 Hz

35 Microwave Specs

Over-The-Range Microwaves



Model Number	HMV930x
Appearance	
Color Options	SS/B/W/TI
Touch Control	•
Display Color	Green
Width	30"
Microwave Performance	
Microwave Power	1,000 W
Power Levels	10
Sensor Cook	•
Sensor Popcorn	•
Sensor Potato	•
Sensor Pizza	•
Sensor Vegetables	•
Sensor Reheat	•
Auto Defrost	•
Quick Defrost	•
Time Defrost	•
Ventilation Performance	
CFM Rate	300 CFM
Fan Speed	High/Low
Charcoal Filter	•
Dishwasher Safe Grease Filter	•
Convenience	
Turntable	12" Glass Recessed
Clock	•
Kitchen Timer	•
More / Less	•
Cooktop Light	2 x 40 W
Technical	
Overall Microwave Capacity	1.8 cu.ft.
Amps	15 A
Power Supply	120 V, 60 Hz



Stainless Steel
(HMB5050 model shown)



Black
(HMB5060 model shown)



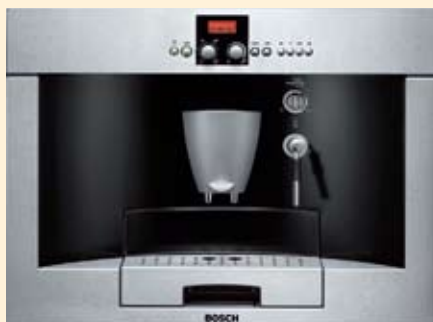
White
(HMB5020 model shown)



Model shown: Built-in Benvenuto® Coffee Machine (TKN68E75UC)

Turn the kitchen into an **espresso** bar.

The Bosch Benvenuto® is the beginning of an entirely new home-coffee experience, one usually reserved for Italian cafés or coffeehouses. With just the push of a button, you select the coarseness of your grind and the size of your coffee, from a small espresso to an extra-large coffee. Then the Benvenuto's revolutionary **AROMASWIRL**® system goes into action, extracting all of the flavor from each bean for the richest-tasting coffee you've ever experienced. And all of this performance comes in a completely integrated unit with handsome steel and black accents.



Built-in Benvenuto Coffee Machine

Model

TKN68E75UC

Dimensions

18 1/16" x 23 3/8" x 20 3/16"

AROMASWIRL

The patented **AROMASWIRL** system completely engulfs coffee grounds with water in a pressurized chamber, for the most authentic-tasting coffee you've ever experienced from a home machine.

One Touch

The Bosch Benvenuto is so simple, anyone can use it. You can start the entire brewing process with just the push of a button.

Height-Adjustable Coffee Dispenser

Benvenuto's dispenser can be adjusted to accommodate virtually any cup size, from a small espresso cup to a tall latte glass.

Choose Your Perfect Grind

The Benvenuto works equally well with whole bean or ground coffee. You have complete control over the amount of coffee used for each cup, as well as the coarseness of the grind. So you always get your coffee exactly the way you like it.



Bosch's Benvenuto Built-in Coffee Machines are backed by The Good Housekeeping Seal — a two-year limited warranty.

Induction Cooktops

Safety meets **sophistication.**

Induction cooktops are a revolutionary way of cooking that uses the power of electro-magnetic waves to safely heat food quickly and efficiently. Amazingly, the cooktop remains lukewarm to the touch during the heating process because the electro-magnetic waves turn the bottom of the pot into the active heating surface, rather than the cooktop. This helps them to be much safer than gas or electric cooktops. Plus they deliver unrivalled efficiency by using 30% less energy, and heat food over two times faster than conventional ceramic cooktops.



CHILDLOCK

Bosch induction cooktops take safety up a notch. The **CHILDLOCK** function prevents the cooktop from being accidentally switched on and locks the temperature settings if the cooktop is in use.



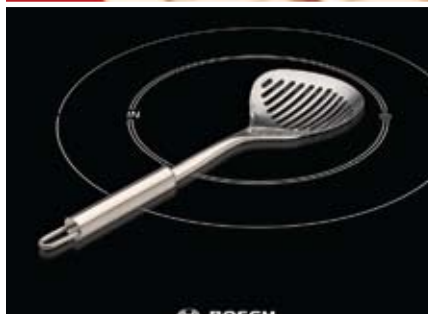
Anti-Overflow System

Sensors in the glass can detect large spills or excessive overflow, automatically shut off the cooktop, and sound an alarm to alert you of the situation.



Automatic Shut-Off System

Safety comes first. So Bosch induction cooktops are designed to automatically switch off when the unit exceeds a maximum temperature limit.



Safe Start

This safety feature accurately distinguishes between pots or pans and smaller items like utensils that may accidentally be left on the cooktop, and ensures that each cooking element will only heat up if a pot is detected on the cooking surface.



As **efficient** as it is powerful.

Induction cooktops are changing the way you cook thanks to state-of-the-art features like **POTSENSE™** and **SPEEDBOOST™**. Ingenious convenience-oriented features such as a keep warm function and countdown timer give you unheard of versatility and the ability to multi-task in the kitchen. All together, they create an unprecedented package of features and performance that will exceed your expectations and delight your family.



POTSENSE

Bosch induction cooktops can detect if a pot is placed on a cooking element and automatically adjust the cooking field to the size of the pot bottom. This means no unneeded heat will escape to the sides of the pot, making your kitchen cooler, more energy-efficient, and safer.



SPEEDBOOST

For time savings as well as energy savings, Bosch induction cooktops equipped with **SPEEDBOOST** function can heat two quarts of water up to 194 degrees Fahrenheit in just over three and a half minutes. That's twice as fast as a conventional ceramic cooktop.



Keep Warm Function

When this function is selected, it enables you to reduce the cooking power to as little as 3% of normal—much greater temperature control than conventional cooktops offer you. This brings the heat to a perfect level to keep meals warm, or simmer soups.



Easy to Clean

Since heat is not radiated from the cooktop, food never becomes baked on. Plus, sensors in the glass surface halt cooking in the event of a large spill, and the smooth top easily wipes clean with just a damp cloth.



COUNTDOWN Timer

The days of working over a hot stove are long gone, thanks to this ingenious function that allows you to pre-set a cooking time for each individual heating element. Now you can multi-task in the kitchen, and the cooktop will automatically shut off the individual cooking elements when their programmed time has expired.



Model Number

800 Series
NIT8653UC

800 Series
NIT8053UC

Appearance

Color Options	36" Black w/SS Trim	30" Black w/SS Trim
Control Type	Touch	Touch

Heating Elements

6" Single Element (1,400 W / 1,800 W*)	RR	RF
7" Single Element (1,800 W / 2,500 W*)	LF, LR	LF, LR
8" Single Element (2,200 W / 3,300 W*)	RF	
12" Single Element (2,400 W / 3,400 W*)		C
8"/12" Element (1,800 W / 2,500 W / 3,600 W*)	C	

Features

SPEEDBOOST™	•	•
COUNTDOWN Timer	•	•
2-Level Heat Indicator	•	•
PRECISIONSIM™	•	•
Keep Warm Function	All Elements	All Elements
CHILDLOCK	•	•
Cookware Sensing	•	•
Safe Start	•	•
Automatic Shut-Off System	•	•

Technical

Dual Rated 208/240 V, 3-Wire, 60 Hz	•	•
Amps	45 A	30 A

SS – Stainless Steel

*Refers to wattage with **MAXXBOOST**.



Model shown: Gas Cooktop (NGM8654UC)

Versatile power.

To create a variety of dishes, you need a cooktop that has a variety of features. And that's exactly what you get with Bosch gas cooktops. High BTU output burners deliver a range of flame settings, while a separate, low-output burner provides gentle simmering. The large, substantial dials are easy to adjust to get the perfect flame. And multiple-size burners accommodate all cooking styles. We even gave the burners a sealed, recessed design to contain spills and make cleanup easy. Now our 30" gas cooktops are available with 5 burners. Enjoy full cooking versatility even in kitchens where space is limited.



Quality

When we put our name on a product, we put our reputation on it as well. Built to Bosch's exacting standards, 100% quality tested and constructed with the highest-grade materials, you can assure your customers that their cooktop will function beautifully and trouble-free for many years to come.

Design

High performance and high style are important factors for today's customers. So Bosch built both with an attention to detail and quality that is sure to impress. Controls were moved from the side to front and center for easier access and adjustment as well as improved burner spacing. Blade-style metal knobs impart a high quality feel while adding a touch of style.

POWERSIM® and OPTISIM® Burners

POWERSIM—this feature, available on our largest burner, uses a diffuser cap to output a large flame of up to 17,000 BTU for quick heating, and can gently simmer like a small burner.

OPTISIM—this Bosch burner low simmers at 450 BTU to delicately simmer even the most sensitive sauces or melt chocolate by evenly spreading the flame across the bottom of the pot to help prevent scorching.

Continuous grates

These are the same types of grates found in professional kitchens, letting your customers slide pots like a professional chef, and making it easier to move pots off of an active burner or rearrange them without fear of tipping or spilling. They also give the cooktop a high-grade, quality appearance that really makes an impression.

Electric Cooktops

Design and performance in **perfect** harmony.

From the simple elegance of the ceramic-glass cooking surface to the exciting performance features, Bosch electric cooktops are the very image of understated sophistication for the kitchen. Bosch cooktops offer a range of exclusive performance and convenience features that give you more control and more functionality with superior safety, to make every meal easier and more fun to prepare. Whether you choose the sophisticated touch-control models or the familiarity of our conventional rotary-dial units, you're certain to find a model that suits your design aesthetic and cooking style.



POWERSTART™

This feature temporarily increases and holds the temperature at the most powerful setting. Then it gradually declines to your pre-set level. This reduces cooking time, preserves the nutritional value of the food, and offers the convenience of one-button operation.



PRECISIONSIM™

PRECISIONSIM gives you 10 increments of heat adjustment below 25% of the element's rated power level, so you can precisely set the heat for ideal simmer results without fear of burning or scorching. It's perfect for making delicate sauces or melting chocolate.



COUNTDOWN Timer

We've designed independent, built-in timers for each element. Conveniently displaying the set time in the control panel for easy reference, they can automatically shut off each element for easy-timed cooking of multiple dishes. You can even use them as general-purpose kitchen timers, for use while you are multi-tasking in the kitchen.



Bosch Electric Cooktops are backed by The Good Housekeeping Seal — a two-year limited warranty.



Touch Control

This touch-sensitive control panel uses the most advanced technology on the market. It has a digital readout of the chosen power setting and a residual heat indicator to prevent accidental injury. A 17-step heat setting gives you unprecedented temperature control, while a built-in timer provides an extra measure of convenience.



Model shown: Electric Cooktop (NET7452UC)

Gas Cooktop Specifications

Unique 5-burner 30" cooktop



800 Series
NGM8654UC



800 Series
NGM8054UC

Model Number

Appearance

Color Options
Continuous Grate Design
Ergonomically Designed Dials
Deep Recessed Spill Areas

36"

SS

•

•

30"

SS

•

•

Burners

Right Front Burner	12,000 BTU	5,500 BTU
Right Rear Burner	5,500 BTU	10,000 BTU
Left Front Burner	12,000 BTU	10,000 BTU
Left Rear Burner	12,000 BTU	5,500 BTU
Center Burner	17,000 BTU	16,000 BTU
Center Front Burner		
Center Rear Burner		
Sealed Burners	•	•

TRIPLEFLAME Burner

SMARTFLAME

Automatic Re-ignition

OPTISIM

POWERSIM

Included Accessories

LP Conversion Kit
Wok Ring

•

•

Optional Accessories

LP Kit – NEZ1054

•

•

Technical

Energy Source	Nat. Gas	Nat. Gas
Liquid Propane Convertible	•	•
Amps	15 A	15 A
Approx. Shipping Weight	51 lb	42 lb
120 V, 3-Wire Power Cord	•	•

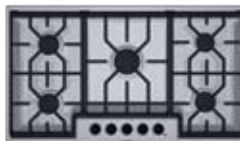
Color Key:

The "x" in the model number indicates the color variant. Please use this color key:

5 = Stainless Steel (SS)

6 = Black (B)

2 = White (W)



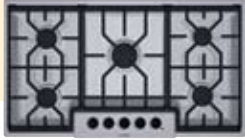
Stainless Steel
(NGM5654UC model shown)



Black
(NGM5664UC model shown)



White
(NGM5624UC model shown)



500 Series
NGM56x4UC

36"
SS/B/W

•
•

12,000 BTU
5,500 BTU
12,000 BTU
12,000 BTU
16,000 BTU

•

•

•

•

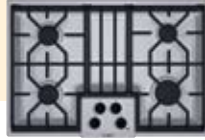
•

Nat. Gas

•

15 A
49 lb

•



500 Series
NGM50xUC

30"
SS

•
•

5,500 BTU
10,000 BTU
10,000 BTU
5,500 BTU
16,000 BTU

•

•

•

•

•

Nat. Gas

•

15 A
42 lb

•



300 Series
PGL985UC

36"
SS

•
•

7,000 BTU
7,000 BTU
10,000 BTU
5,500 BTU
15,500 BTU

•

•

•

•

•

Nat. Gas

•

15 A
38 lb

•



300 Series
PCK755UC

30"
SS

•
•

10,500 BTU
12,500 BTU

3,500 BTU
6,000 BTU

•

•

•

•

Nat. Gas

•

15 A
33 1/2 lb

•

Electric Cooktop Specifications



Touch Controls



Model Number	600 Series NET9652UC	500 Series NET7552UC	400 Series NET7452UC
Appearance	36"	30"	30"
Color Options	SS	SS	SS
Control Type	Touch	Touch	Touch
Heating Elements			
6" Single Element (1,200 W)	RR	RF	RF
7" Single Element (1,800 W)			LR
7" Bridge Element (1,800 W)	LF	LF	
7" Bridge Element (1,800 W / 400 W)	LR	LR	
5"/7" Dual Element (700 W / 1,700 W)	RF		LF
6"/9" Dual Element (1,100 W / 2,500 W)		RR	RR
6"/8"/12" Triple Element (1,050 W / 1,950 W / 2,700 W)	C		
Features			
POWERSTART ®	•	•	•
COUNTDOWN Timer	•	•	
2-Level Heat Indicator	•	•	•
PRECISIONSIM ™	•	•	•
Technical			
Dual Rated 208/240 V, 3-Wire, 60 Hz	•	•	•
Amps	40 A	30 A	30 A

Knob Controls



Model Number	500 Series NEM9552UC	500 Series NEM7552UC	400 Series NEM94x2UC	400 Series NEM74x2UC
Appearance	36"	30"	36"	30"
Color Options	SS	SS	B/W	B/W
Control Type	Knob	Knob	Knob	Knob
Heating Elements				
6" Single Element (1,200 W)	RF	RF	RR	RF
7" Single Element (1,800 W)			LR	LR
7" Bridge Element (1,800 W)	LF	LF		
7" Bridge Element (1,800 W / 400 W)	LR	LR		
5"/7" Dual Element (700 W / 1,700 W)	RR		RF, LF	LF
6"/9" Dual Element (1,100 W / 2,500 W)	C	RR	C	RR
Technical				
Dual Rated 208/240 V, 3-Wire, 60 Hz	•	•	•	•
Amps	40 A	30 A	40 A	30 A

Color Key:

The "x" in the model number indicates the color variant. Please use this color key:

- 5 = Stainless Steel (SS)
- 6 = Black (B)
- 2 = White (W)



BOSCH



Model shown: Slim Silhouette Wall Mount Canopy Hood (DKE94)

Any shape or form.

With attractive styles ranging from traditional to contemporary, Bosch ventilation products are easy on all your senses. Especially your eyes. Powerful dual-inlet blowers operate at a whisper-quiet volume and quickly clear the air after a fragrant meal. And having Bosch ventilation improves your home's air quality while our array of beautiful designs complement your kitchen's look.



Island

Flaunting crisp lines and glass accents, our island hood offers an aesthetically pleasing, sophisticated design that matches the rest of your kitchen.



Custom Insert

Our new flush-fitting custom insert hoods were designed with minimalist styling that makes them barely visible. And their powerfully quiet fans make them barely audible.



Wall Mount

Whether you prefer under cabinet or chimney style ventilation, we offer a complete line of stylish wall hoods with varying CFM levels so you can choose the one that is right for you.



Downdraft now with recirculation kit

The perfect solution for very high ceilings, island installation or simply lack of space, our downdraft rises from behind your cooktop. The full 14" rise allows for efficient capture of steam and smoke. And like all our ventilation products, it is extraordinarily quiet. Available recirculation kit allows venting through the toe-kick of the cabinet.

Powerful attraction.

There's no need to step outside for a breath of fresh air. With Bosch's line of efficient, high-performance ventilation products, you can clear the air quickly, quietly and beautifully. With models offering up to 600 CFM of ventilating capability, they quickly remove steam, odors, grease and smoke generated by cooking. The impressively quiet blowers let you adjust the ventilation power for the specific job at hand. And once you see how well they complement your Bosch cooktop or range, you'll discover that our ventilation products have an attraction all their own.



Styling

Ventilation is indispensable in any kitchen. And wall hoods can be either an eyesore or a visual enhancement. When designing our wall hoods, we chose the latter. So whether you choose traditional, slim silhouette, pyramid or glass canopy-style, its form will beautify its function.



Performance

Steam, smoke, grease odors—nothing resists our efficient ventilation systems. With four-speed fans, dual blowers and a wide CFM range, you can adjust the fan to the desired amount of exhaust power. And all this power almost goes unnoticed because our hoods are also quiet. Extremely quiet.



Lighting Options

You have ambitions of being a chef extraordinaire, and you're the star in your kitchen. Good news! Now you can cook in the limelight with your choice of halogen hood lights, or, if you prefer, traditional incandescent lights. Both provide bright, clean light over the entire cooking surface to illuminate all your creations.



Versatility

Bosch hoods range from 280 to 600 CFM, so you can select the power to meet your ventilation needs. Our hoods also come in a variety of colors, styles and sizes 30", 36" or 40".



Model shown: Wall Mount Glass Canopy Hood (DKE96)

Ventilation Specifications

Wall Mount Canopy Hoods



Model Number

800 Series
DKE9605PUC (30")
DKE9665PUC (36")

500 Series
DKE9405MUC (30")
DKE9465MUC (36")

300 Series
DKE9305AUC (30")
DKE9365AUC (36")

Appearance

Color Options	SS	SS	SS
Style	Glass Canopy	Slim Silhouette Canopy	Pyramid Canopy
Controls Concealed Under Hood			Slide Switch
Front Center Controls	Electronic Push Button	Electronic Push Button	
Digital Display	7 Segment Display	7 Segment Display	
Available Widths	30",36"	30",36"	30",36"
Wall Mount	•	•	•
Welded and Polished Seams	•	•	•
Lighting	2 Halogen	2 Halogen	2 Incandescent

Technical

Maximum CFM	600 CFM	600 CFM	400 CFM
Speed Settings	4	4	3
Decibel Rating	54 dB	53 dB	58 dB
Dishwasher-Safe Filter	1	3	2
Adjustable Duct Height	•	•	•
Duct Size	6"	6"	6"
Vertical Discharge	•	•	•
Electrical Requirements	15 A, 120 VAC, 60 Hz	15 A, 120 VAC, 60 Hz	15 A, 120 VAC, 60 Hz
Amps	4.8 A	4.8 A	2.8 A
Approximate Shipping Weight – 30	77 lb	44 lb	40 lb
Approximate Shipping Weight – 36	70 lb	57 lb	40 lb

Accessories

DRZ94UC Recirculation Option	•	•	
------------------------------	---	---	--

Specialty Hoods



Model Number

DIE165RUC

DHL755BUC

Appearance

Color Options	40" SS	29" For Applications Up To 36" Metallic
Style	SS w/ Glass Island Hood	Custom Insert Hood
Controls	Push Button, 7 Segment Displays	Slide Switch
Glass Canopy	•	
Lighting	4 Halogen	2 Halogen

Technical

10 Rise Retractable Intake		
Speed Settings	4	4
600 CFM Internal Blower		
600 CFM Remote Blower		
600 CFM In-Line Blower		
Maximum CFM	600 CFM	400 CFM
Duct Size	6"	6"
Vertical Discharge	•	•
5-Layer Stainless Steel Filter		
Dishwasher-Safe Filter	1	2
Full-Face Filter		
Screw Drive System		
Electrical Requirements	15 A, 120 VAC, 60 Hz	15 A, 120 VAC, 60 Hz
Amps	5 A	4.5 A
Approximate Shipping Weight	116 lb	22 lb

SS – Stainless Steel

Under Cabinet Hoods



Model Number

800 Series
DPH30352UC (30")
DPH36352UC (36")

500 Series
DUH30252UC (30")
DUH36252UC (36")

300 Series
DUH301x2UC (30")
DUH361x2UC (36")

Appearance

Color Options	SS	SS	SS/B
Style	Commercial	Traditional	Traditional
Available Widths	30",36"	30",36"	30",36"
Controls	2-Speed Rocker	4-Speed Rotary	3-Speed Rotary
Lighting	2 Incandescent	2 Halogen	2 Incandescent

Technical

Blower Included	450 CFM	400 CFM	280 CFM
Ducting Direction	Vertical / Horizontal	Vertical / Horizontal	Vertical / Horizontal
Duct Size	8" Round	7" Round / 3 1/4" x 10"	7" Round / 3 1/4" x 10"
Recirculation	Optional	Convertible	Convertible
Mesh Filters	2	2	2
Electrical Requirements	15 A, 120 VAC, 60 Hz	15 A, 120 VAC, 60 Hz	15 A, 120 VAC, 60 Hz
Amps	4.4 A	4.4 A	4.4 A

Traditional Ventilation Accessories

Width	36"	30"
Charcoal Filter Kit, DUH	DHZ3602UC	DHZ3002UC
Replacement Charcoal Filters, DPH	DHZ3052UC	DHZ3052UC
Recirculation Kit, DPH	DRZ3652UC	DRZ3052UC

Color Key:

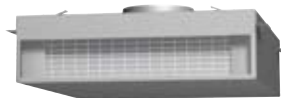
The "x" in the model number indicates the color variant. Please use this color key:

- 5 = Stainless Steel (SS)
- 6 = Black (B)



DHD3014UC (30")
DHD3614UC (36")

30"/36"
SS
Downdraft
Side Switch



DHDRM36UC

Hidden in Cabinet Base
White
Recirculation for Downdraft
None

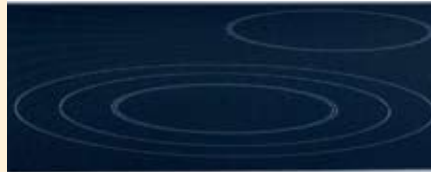
•	
3	
DHG601DUC	Use with Internal Blower
DHG6023UC*	
DHG6015DUC*	
600 CFM	
6"	6"
•	
•	
2	
2	
•	
15 A, 120 VAC, 60 Hz	15 A, 120 VAC, 60 Hz
10 A	10 A
50/52 lb	50/52 lb



Model shown: Integra™ Electric Range (HEI7132)

Beautiful design. Great results.

Integra electric ranges deliver power and functionality that help them perform as good as they look. Triple-element burners offer exceptional versatility for different-sized pots, and **ULTRASPEED** ribbon technology heats up as fast as gas. The Genuine European Convection w/ACS cooks faster and more evenly. And an extra-large 1.3 cubic foot warming drawer keeps food warm until it's ready to be served. Plus the ranges are designed to slide beautifully into your existing cabinetry for a flush, integrated appearance.



#1 In Capacity

At 4.6 cubic feet, our oven is the largest on the market. Plus, with 6-way rack adjustability, you can cook for the whole family simultaneously. An expansive viewing window and bright lighting system make monitoring the progress of your meal easier than ever.

CLEARTOUCH® Glass Panel

This touch panel features high quality materials and elegant design, while giving complete access to all of the range's many features. Easy to use and even easier to clean, the control indicators will never fade because they are sealed under the glass surface, guaranteeing a beautiful appearance for years to come.

Triple Element Burners

The burners are available in 5"/7"/9" and 6"/9"/12" configurations, and are designed to efficiently accommodate a wide variety of cookware without wasting energy unnecessarily.

Touch & Turn®

Operating your oven with our exclusive Touch & Turn control system is a breeze. Performance is now at your fingertips. You can access an array of cooking modes in fewer steps, and even self-clean your oven with a single intuitive control knob. No more guesswork. Just great results every time.

Genuine European Convection w/ACS

This feature offers a powerful 1100-watt third heating element that surrounds the convection fan, circulating preheated air throughout the oven. By optimizing heat circulation within the oven cavity, our Advanced Circulation System (ACS) allows food to be cooked more evenly in up to 30% less time.



Bosch Integra Ranges are backed by The Good Housekeeping Seal — a two-year limited warranty.

Integra™ Dual-Fuel Ranges

Make dinner your **favorite** part of the day.

For performance and convenience that make cooking a pleasure, consider the Integra dual-fuel slide-in range. Its gas-on-glass design features burners mounted on a ceramic-glass cooktop, making cleanup easy. A 16,000 BTU **POWERSIM**® burner delivers a faster time-to-boil as well as precise control for excellent simmering. There's also a Genuine European Convection w/ACS oven that cooks up to 25% faster and features the largest oven capacity available, giving you the ability to prepare even the largest meals with ease.



#1 In Capacity

At 4.6 cubic feet, our oven is the largest on the market. Plus, with 6-way rack adjustability, you can cook for the whole family simultaneously. An expansive viewing window and bright lighting system make monitoring the progress of your meal easier than ever.



POWERSIM Burner

The **POWERSIM** burner is the ultimate in power and finesse. It can generate a blazing 16,000 BTU for fast boiling or quick searing. At the other extreme, the built-in diffuser distributes heat evenly to let you simmer delicate sauces or melt chocolate without scorching.



Gas On Glass

This ingenious design mounts gas burners on color-matched ceramic glass, creating a sleek, handsome cooktop that's patterned to conceal smudges while being significantly easier to clean.



Pro-Style Cooktop

Cooking enthusiasts will appreciate the convenience of our continuous cast-iron grates, which facilitate pot movement on the cooktop. They'll also value the performance of our sealed burner system, which can bring pots quickly to a boil at its highest output, as well as gently simmer sauces with its precision low-output setting. And because the system is fully sealed against drips and spills, it's easier to clean as well.



Genuine European Convection w/ACS

This feature offers a powerful 1100-watt third heating element that surrounds the convection fan, circulating preheated air throughout the oven. By optimizing heat circulation within the oven cavity, our Advanced Circulation System (ACS) allows food to be cooked more evenly in up to 30% less time.



59 Ranges

Model shown: Integra™ Dual-Fuel Range (HDI7152)

Telescopic Rack

With our convenient, full-extension telescopic rack, you can easily view, check and baste your dishes without having to reach into the oven. Our rack glides smoothly and easily, extending fully over the open oven door—even when holding up to 35 pounds. Plus it fits any of our six rack positions and is removable for easy cleanup.

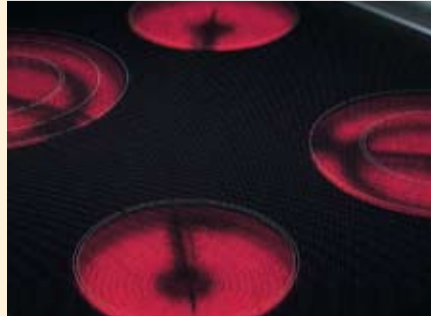


Model shown: Evolution™ Electric Range (HES7282 Pro)

Evolution™ Electric Ranges

The electric range, **evolved.**

The Evolution Electric Free-Standing Range will truly take your cooking to a higher plane of existence. It features a glass-ceramic cooktop with **ULTRASPEED** ribbon elements for heat-up that's as responsive as gas, and Touch & Turn® control technology that gives you convenient access to every function with just a single control knob. Add the performance of Genuine European Convection and a concealed bake element, and it's clear that every meal you prepare with this range is certain to be a hit.



Touch & Turn

Operating your oven with our exclusive Touch & Turn control system is a breeze. Performance is now at your fingertips. You can quickly access an array of cooking modes in fewer steps, and even self-clean your oven with a single intuitive control knob. No more guesswork. Just great results every time.

Endless Cooking Possibilities

With up to nine preset cooking modes, the options are as vast as they are easy to operate. Our precisely programmed oven functions let you choose from bake, broil, convection bake, convection broil, convection roast, dehydrate or keep warm to complement your diverse cooking needs. All models even include a Sabbath mode.

Cooktop Elements

The electric cooktop features our state-of-the-art **ULTRASPEED** ribbon elements. Instantly responding to the controls, these elements boast a 3 to 5-second "heat-up" time. There are multiple-sized elements, including a triple, all of which are adjustable to accommodate a variety of cookware styles.

Concealed Bake Element

The oven cavity floor hides an 8-pass bake element, offering maximized heat distribution for more even cooking. Since the element is not exposed, you get more usable space for that extra sheet of chocolate chip cookies. Flexibility doesn't stop here since the hidden bake element also makes for the easiest way to clean the inside of your oven.

Genuine European Convection w/ACS

This feature offers a powerful 1100-watt third heating element that surrounds the convection fan, circulating preheated air throughout the oven. By optimizing heat circulation within the oven cavity, our Advanced Circulation System (ACS) allows food to be cooked more evenly in up to 30% less time.



Bosch's Free Standing Dual-Fuel Range is ranked #1 by a leading consumer magazine for the 4th time in a row.

Performance beyond your expectations.

If you're looking for a range to unleash your cooking instincts, look no further than the Evolution Gas Free-Standing Range. Pro-style cooking grates let you slide your pots as easily as if you were in a restaurant kitchen. Powerful **POWERSIM**® burners deliver up to 16,000 BTU for fast time-to-boil and excellent searing, while optimized burner spacing keeps every pot optimally positioned for maximum convenience. Prepare yourself for an amazing culinary experience.



Pro-Style Cooktop

Cooking enthusiasts will truly appreciate the convenience of our pro-style, continuous cast-iron grates. This surface area is the largest in its class. Underneath the low-profile grates, a one-piece, stainless steel (on select models only) upswept cooktop with a sealed burner system makes for a tight look and easy-to-clean surface.



Optimized Burner Spacing

We've revolutionized cooktop design with our unique burner spacing, which offers enhanced versatility as well as the largest cooking surface in its class. In addition to the **POWERSIM**® burner, our cooktop has a true-simmer rear burner that is offset to the right—ultimately providing more space for larger pots, while leaving plenty of room for your creativity and cooking prowess.



Temperature Probe

Our built-in automatic meat temperature probe will allow you to cook more accurately and enjoy perfect meals all the time. When foods reach the preset internal temperature, the oven beeps and turns itself off—giving you optimal temperature control. And by not overcooking, your food also maintains its nutritional value. Food tastes better, and you eat healthier.



Widest Oven in its Class

At 25 inches, our oven is the widest in its class. Incredibly accommodating not only can you cook with a variety of cookware sizes simultaneously, it lets you cook an entire meal—including a large bird with all the trimmings. And with our well-lit oven, checking on your meal is a pleasurable eye opener.



Full-Meal Cooking

Thanks to our large capacity and Genuine European Convection, you can cook a feast in your oven. Furthermore, the convection technology prevents fusion of flavors. So, your cherry pie won't taste like garlic potatoes, and your pork roast will taste like... pork roast. You're only limited by your imagination.



Bosch's Free Standing Dual-Fuel Range is ranked #1 by a leading consumer magazine for the 4th time in a row.



Large Warming Drawer

With three electronically controlled temperature settings ranging from 140°-220°F, our stainless steel warming drawer gives you a choice of options for ideal warming temperatures. While it smoothly glides on steel ball bearings, the drawer fully extends for easy access to its 1.3 cubic feet of usable space.





Model shown: Over-the-Range Microwave (HMV9305)

The **best** of all worlds.

That's exactly what you get with Bosch's over-the-range microwaves. You enjoy the excellent cooking performance and functionality of a Bosch microwave, the convenience of an over-counter design that frees valuable counter space, and the added bonus of an integrated ventilation unit with up to 300 CFM to keep steam, smoke and food odors at bay. All in a handsome design that perfectly complements Bosch convection ranges.



Multi-Sensor Cooking Modes

Standard in our over-the-range microwaves, our sensor cooking modes add a new level of cooking performance. A sensor measures the amount of humidity in the oven. The microwave then automatically adjusts cooking time, based on the type of food.



Integrated Ventilation

The perfect addition to a free-standing convection range or cooktop, our over-the-range microwaves have built-in ventilation systems with up to 300 CFM that feature a charcoal filter, a two-speed fan and a dishwasher-safe grease filter.

Integra™ Range Specifications



Model Number

700 Series
HEI7282(U or C) PRO
Electric

700 Series
HEI71x2(U or C)
Electric

Oven

	SS Pro	SS/TI
Color Options	•	•
Touch & Turn® Oven Control	•	•
Bake	•	•
Broil	•	•
Automatic Convection Bake	•	•
Convection Broil	•	•
Convection Roast	•	•
Convection Conversion	•	•
Dehydrate	•	•
Keep Warm Oven Mode	•	•
Sabbath Mode	•	•
Proof	•	•
Temperature Probe	•	•
Genuine European Convection (With Third Heating Element)	•	•
Advanced Circulation System (ACS)	•	•
Cavity Volume (Largest in Slide-in Range Category*)	4.6 cu.ft.	4.6 cu.ft.
True Hidden Bake Element	•	•
40 W Incandescent Lights	2	2
Convection Assisted Self-Cleaning Oven	•	•
Larger Surface Area Oven Racks	2	2
Space Saving Half Rack	•	•
Full Extension Telescopic Racks	1	1
Wide View Oven Window	•	•
CLEARTOUCH® Oven Controls	•	•
Full Stainless Steel Oven Door	•	•
Standard Broiler Pan	•	•
Rear Finishing Strip (Included)	•	•
Broil Wattage	3,600 W	3,600 W
Bake Wattage	2,000 W	2,000 W
Third Element Wattage	1,100 W	1,100 W

Lower Drawer

Storage Drawer (Full Extension)	•	•
Warming Drawer (Full Extension)	•	•
WD Sabbath Mode	•	•

Cooktop - Electric

12"/9"/6" Triple Element (2,700 W)	RF	RF
5"/7"/9" Triple Element (2,500 W)		
5"/8" Dual Element (1,900 W)	LR	LR
6" Single Element (1,500 W)	LF	LF
6" Single Element (1,200 W)	RR	RR
7" Single Element (1,800 W)		
Bridge Element (800 W)		
True White Cooktop (Titanium only)	•	•
Stainless Steel Cooktop Frame	•	•
Nickel Finish Knobs	•	•
Full Stainless Steel Control Panel	•	•

Cooktop - Gas

Pro-style Continuous Matte Grates
Gas-on-Glass Cooktop Design
POWERSIM® Burner
OPTISIM® Burner
Right Front Burner
Right Rear Burner
Left Front Burner
Left Rear Burner
Sealed Burners

Technical

Dual Rated 208/240 V, 4-wire, 60 Hz	•	•
Amps	40 A	40 A
Approvals	US/Canada	US/Canada
Natural/LP Gas Convertible	•	•

Accessories

Accessories	Model Number
Backsplash (Wall Installation)	HEZ1060

Color Key:

The "x" in the model number indicates the color variant. Please use this color key:

8 = Stainless Steel Pro (SS Pro)
5 = Stainless Steel (SS)
3 = Titanium (TI)

*All measurements are according to AHAM Standards.



Stainless Steel Pro
(HEI7282U model shown)



Stainless Steel
(HEI7152U model shown)



Titanium
(HEI7132U model shown)



700 Series
HEI70x2(U or C)
Electric

700 Series
HDI7282(U or C) PRO
Dual-Fuel

700 Series
HDI71x2(U or C)
Dual-Fuel

700 Series
HDI70x2(U or C)
Dual-Fuel

SS/TI

SS Pro

SS/TI

SS/TI

•
•
•
•
•
•
•
•
•

•
•
•
•
•
•
•
•
•

•
•
•
•
•
•
•
•
•

•
•
•
•
•
•
•
•
•

4.6 cu.ft.

4.6 cu.ft.

4.6 cu.ft.

4.6 cu.ft.

2
•
2
1

2
•
2
1

2
•
2
1

2
•
2
1

•
•
•
•

•
•
•
•

•
•
•
•

•
•
•
•

3,600 W
2,000 W
1,100 W

3,600 W
2,000 W
1,100 W

3,600 W
2,000 W
1,100 W

3,600 W
2,000 W
1,100 W

•

•

•

•

RF

RR
LF, LR

•
•

•
•

•
•

•
•

•

•

•

1

1

1

1

1

1

1,300–16,000 BTU
800–5,500 BTU
1,300–12,500 BTU
1,300–12,500 BTU

1,300–16,000 BTU
800–5,500 BTU
1,300–12,500 BTU
1,300–12,500 BTU

1,300–16,000 BTU
800–5,500 BTU
1,300–12,500 BTU
1,300–12,500 BTU

•

•

•

•

40 A
US/Canada

30 A
US/Canada

30 A
US/Canada

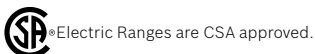
30 A
US/Canada

•

•

•

•



Warranty Information: BSH warrants that its Ranges are free from defects in materials and workmanship for a period of twelve (12) months from the Date of Installation. During the warranty period, BSH or its authorized service center will repair or replace, at its sole option, any Range that proves to have been defective under conditions of normal use without charge. All removed parts and components shall become the property of BSH, at BSH's option. All replaced and/or repaired parts shall assume the identity of the original part for purposes of this warranty and this warranty shall not be extended with respect to such parts.

Evolution™ Electric Range Specifications



700 Series
HES7282U PRO

Model Number

Oven

Color Options	SS Pro
Touch & Turn® Oven Control	•
Bake	•
Broil	•
Automatic Convection Bake	•
Convection Broil	•
Convection Roast	•
Convection Conversion	•
Dehydrate	•
Sabbath Mode	•
Proof	•
Keep Warm Oven Mode	•
Temperature Probe	•
Genuine European Convection (With Third Heating Element)	•
Advanced Circulation System (ACS)	•
Full Extension Telescopic Rack	1
Standard Rack w/More Surface Area	2
Space Saving Half Rack	
Wide View Oven Window	•
Cavity Volume	4.6 cu.ft.
40 W Incandescent Lights	2
Convection Assisted Self-Cleaning Oven	•
Full Stainless Steel Backguard	•
Full Stainless Steel Oven Door	•
CLEARTOUCH® Oven Controls	•
True Hidden Bake Element	•
Rack Positions	6
Broiler Pan	•
Broil Wattage	3,600 W
Bake Wattage	2,000 W
Third Element Wattage	1,100 W

Lower Drawer

Warming Drawer (Full Extension)	•
WD/Sabbath Mode	•

Cooktop

9"/12" Dual Element (2,700 W)	RF
5"/7"/9" Triple Element (2,500 W)	LR
5"/9" Dual 2500 Watt Element	
5"/8" Dual Element (1,900 W)	
8" Single Element (2,000 W)	
6" Single Element (1,500 W)	
6" Single Element (1,200 W)	RR, LF
7" Single Element (1,800 W)	
Bridge Element (800 W)	
Twist Control	
Manual Pot Sizing	
Warming Zones	
Stainless Steel-Framed Main Top	•
Easy-to-Use Front Controls	•
Nickel Finish Knobs	•
Full Stainless Control Panel	•

Technical

Dual Rated 208/240 V, 4-wire, 60 Hz	•
Amps	40 A

Color Key:

The "x" in the model number indicates the color variant. Please use this color key:

8 = Stainless Steel Pro (SS Pro)

5 = Stainless Steel (SS)

3 = Titanium (TI)



Stainless Steel Pro
(HES7282 model shown)



Stainless Steel
(HES7052 model shown)



Titanium
(HES7132 model shown)



700 Series
HES7252U



700 Series
HES71x2U



700 Series
HES7052(U or C)

SS

.
.
.
.
.
.
.
.
.
.

.

.

1

2

.

4.6 cu.ft.

2

.

.

.

.

6

.

3,600 W

2,000 W

1,100 W

.

.

LF

RR

LR

RF

.

.

All Elements

.

.

.

.

40 A

SS/TI

.
.
.
.
.
.
.
.
.
.

.

.

1

2

.

4.6 cu.ft.

2

.

.

.

.

6

.

3,600 W

2,000 W

1,100 W

.

.

RF

LR

RR, LF

.

.

.

.

.

.

40 A

SS

.
.
.
.
.
.
.
.
.
.

.

.

2

1

.

4.6 cu.ft.

2

.

.

.

.

6

.

3,600 W

2,000 W

1,100 W

.

.

RF

RR

LF, LR

.

.

.

.

.

40 A

CSA® Electric Ranges are CSA approved.

Warranty Information: BSH warrants that its Ranges are free from defects in materials and workmanship for a period of twelve (12) months from the Date of Installation. During the warranty period, BSH or its authorized service center will repair or replace, at its sole option, any Range that proves to have been defective under conditions of normal use without charge. All removed parts and components shall become the property of BSH, at BSH's option. All replaced and/or repaired parts shall assume the identity of the original part for purposes of this warranty and this warranty shall not be extended with respect to such parts.

Evolution™ Gas Range Specifications



Model Number

700 Series
HGS7282UC PRO

700 Series
HGS71x2UC

700 Series
HGS7052UC

Oven	SS Pro	SS/TI	SS
Color Options	SS Pro	SS/TI	SS
Touch & Turn® Oven Control	•	•	•
Bake	•	•	•
Broil	•	•	•
Automatic Convection Bake	•	•	•
Convection Broil	•	•	•
Convection Roast	•	•	•
Convection Conversion	•	•	•
Dehydrate	•	•	•
Proof	•	•	•
Keep Warm Oven Mode	•	•	•
Sabbath Mode	•	•	•
Temperature Probe	•	•	•
Genuine European Convection (With Third Heating Element)	•	•	•
Advanced Circulation System (ACS)	•	•	•
Full-Extension Telescopic Rack	1	1	•
Standard Rack w/More Surface Area	2	2	2
Space Saving Half Rack	•	•	1
Wide View Oven Window	•	•	•
Cavity Volume	5.1 cu.ft.	5.1 cu.ft.	5.1 cu.ft.
40 W Incandescent Lights	2	2	2
Convection Assisted Self-Cleaning Oven	•	•	•
Full Stainless Steel Backguard	•	•	•
Full Stainless Steel Oven Door	•	•	•
CLEARTOUCH® Oven Controls	•	•	•
Rack Positions	6	6	6
Broiler Pan	•	•	•
Broil Burner BTU	12,500 BTU	12,500 BTU	12,500 BTU
Bake Burner BTU	17,000 BTU	17,000 BTU	17,000 BTU
Third Element Wattage	400	400	400
Lower Drawer			
Warming Drawer (Full Extension)	•	•	•
WD/Sabbath Mode	•	•	•
Cooktop			
Pro-style Continuous Matte Grates	•	•	•
Low-Profile/Flush-to-Countertop	•	•	•
POWERSIM Burner	RF	RF	RF
OPTISIM® Burner	RR	RR	•
Matte Burner Caps	•	•	•
Right Front Burner	1,300–16,000 BTU	1,300–16,000 BTU	1,300–16,000 BTU
Right Rear Burner	800–5,500 BTU	800–5,500 BTU	800–5,500 BTU
Left Front Burner	1,200–9,100 BTU	1,200–9,100 BTU	1,200–9,100 BTU
Left Rear Burner	1,400–12,500 BTU	1,400–12,500 BTU	1,400–12,500 BTU
Optimized Burner Spacing	•	•	•
Sealed Burners	•	•	•
Stainless Maintop	•	•	•
Nickel Finish Knobs	•	•	•
Full Stainless Control Panel	•	•	•
Technical			
120 V, 3-wire, 60 Hz	•	•	•
Powercord	•	•	•
Amps	15 A	•	15 A
Natural/LP Gas Convertible	•	•	•

Color Key:

The “x” in the model number indicates the color variant. Please use this color key:

- 8 = Stainless Steel Pro (SS Pro)
- 5 = Stainless Steel (SS)
- 3 = Titanium (TI)



Stainless Steel Pro
(HGS7282 model shown)



Stainless Steel
(HGS7052 model shown)



Titanium
(HGS7132 model shown)

Evolution™ Dual-Fuel Range Specifications



700 Series
HDS7282U PRO



700 Series
HDS71x2U



700 Series
HDS7052(U or C)

Model Number

Oven

Color Options	SS Pro	SS/TI	SS
Touch & Turn® Oven Control	•	•	•
Bake	•	•	•
Broil	•	•	•
Automatic Convection Bake	•	•	•
Convection Broil	•	•	•
Convection Roast	•	•	•
Convection Conversion	•	•	•
Dehydrate	•	•	•
Proof	•	•	•
Keep Warm Oven Mode	•	•	•
Sabbath Mode	•	•	•
Temperature Probe	•	•	•
Genuine European Convection (With Third Heating Element)	•	•	•
Advanced Circulation System (ACS)	•	•	•
Full-Extension Telescopic Rack	1	1	•
Standard Rack w/More Surface Area	2	2	2
Space Saving Half Rack	•	•	1
Wide View Oven Window	•	•	•
Cavity Volume	4.6 cu.ft.	4.6 cu.ft.	4.6 cu.ft.
40 W Incandescent Lights	2	2	2
Convection Assisted Self-Cleaning Oven	•	•	•
Full Stainless Steel Backguard	•	•	•
Full Stainless Steel Oven Door	•	•	•
CLEARTOUCH® Oven Controls	•	•	•
True Hidden Bake Element	•	•	•
Rack Positions	6	6	6
Broiler Pan	•	•	•
Broil Wattage	3,600 W	3,600 W	3,600 W
Bake Wattage	2,000 W	2,000 W	2,000 W
Third Element Wattage	1,100 W	1,100 W	1,100 W

Lower Drawer

Warming Drawer (Full Extension)	•	•	•
WD/Sabbath Mode	•	•	•

Cooktop

Pro-style Continuous Matte Grates	•	•	•
Low-Profile/Flush-to-Countertop	•	•	•
POWERSIM Burner	RF	RF	RF
OPTISIM® Burner	RR	RR	•
Matte Burner Caps	•	•	•
Right Front Burner	1,300–16,000 BTU	1,300–16,000 BTU	1,300–16,000 BTU
Right Rear Burner	800–5,500 BTU	800–5,500 BTU	800–5,500 BTU
Left Front Burner	1,200–9,100 BTU	1,200–9,100 BTU	1,200–9,100 BTU
Left Rear Burner	1,400–12,500 BTU	1,400–12,500 BTU	1,400–12,500 BTU
Optimized Burner Spacing	•	•	•
Sealed Burners	•	•	•
Stainless Maintop	•	•	•
Nickel Finish Knobs	•	•	•
Full Stainless Control Panel	•	•	•

Technical

Dual Rated 208/240 V, 4-wire, 60 Hz	•	•	•
Amps	30 A	30 A	30 A
Natural/LP Gas Convertible	•	•	•



Stainless Steel Pro
(HDS7282 model shown)



Stainless Steel
(HDS7052 model shown)



Titanium
(HDS7132 model shown)

Electric Ranges are CSA approved.

Warranty Information: BSH warrants that its Ranges are free from defects in materials and workmanship for a period of twelve (12) months from the Date of Installation. During the warranty period, BSH or its authorized service center will repair or replace, at its sole option, any Range that proves to have been defective under conditions of normal use without charge. All removed parts and components shall become the property of BSH, at BSH's option. All replaced and/or repaired parts shall assume the identity of the original part for purposes of this warranty and this warranty shall not be extended with respect to such parts.



Life made **cooler.**



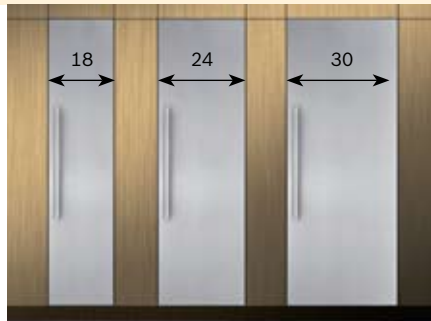
Whether preparing a holiday feast for the entire family or sneaking a late-night scoop of ice cream for yourself, your family deserves the freshest food. And because we understand that families are as different as snowflakes, we offer innovative cooling solutions that can suit virtually any need. Like our revolutionary Integra® Refrigeration, which gives you ultimate flexibility in the kitchen. And Bosch Evolution™ refrigerators, with cutting-edge features that bring together convenience and performance in an ultra-cool package. Either way, Bosch refrigerators help you ensure your family gets the best, always. **Invented for life.**



Models shown: Integra® 30 Freezer (B30IF70SLS) left, Integra 24" Refrigerator (B24IR70SRS) Middle, Integra 24" Wine Cooler (B24IW50SLS) Right

Flexible **performance.**

Bosch Integra Refrigeration introduces a new concept in cooling—customization. Fully integrated, built-in refrigerators, freezers, French door and 2-door bottom-freezers and wine storage in various sizes offer the ultimate in storage capacity and flexibility. This enables you to create a perfectly customized system to fit both your kitchen and your family's needs. Advanced technologies like the **MARKETFRESH®** food preservation system help keep your food at the peak of freshness. And like all Bosch appliances, they are designed to keep energy consumption to a minimum.



Flexibility

With Bosch Integra Refrigeration, you can customize your kitchen to meet your family's needs. Large families have the option to choose higher capacity units, while small families can choose a 24" refrigerator and 18" freezer for a more traditional configuration.

MARKETFRESH Food Preservation System

This integrated system helps keep all of your food at the peak of freshness. Each unit is comprised of its own compressor and evaporator, which eliminates the possibility of odor transfer between two units. Also, an additional cooling channel in the refrigerator door keeps items in the door bins just as cold as the items on the shelves. Finally, we added an adjustable, temperature-controlled drawer in which you can store perishable items to keep them fresh longer.

Energy Efficient

Every Bosch Integra refrigerator and freezer is ENERGY STAR® qualified. With efficient features, such as an alarm indicating the door is ajar, Vacation Mode and Economy Mode, Bosch can significantly reduce your energy bills.

Cool and **convenient.**

We've engineered our Integra® Refrigeration with countless features to make life easier and your kitchen more efficient. Smart design details like Bosch's **ANTISTICK™** ice system and the ingenious **OPTIFLEX™** hinge make everyday use a pleasure. In addition, the Integra boasts the legendary quiet operation you find in all Bosch appliances, keeping background noise to a minimum.



Quiet

Bosch engineering does it again—quiet operation with maximum performance. Bosch Integra Refrigeration performs powerfully, and runs nearly silent so you can cook, eat and entertain in the kitchen.



OPTIFLEX Hinge

Designed to open out and away from the cabinetry, this ingenious hinge construction allows doors to be mounted flush and open to 115 degrees without touching or nicking surrounding cabinets. You also have full access to interior drawers at just a 90° door opening. Plus, the **OPTIFLEX** hinge can support up to 220 lbs. of door weight, which gives you the flexibility to apply custom paneling.



ANTISTICK Ice System

Dispensing ice and water is effortless with Integra. Its innovative **ANTISTICK** ice system periodically rotates ice to prevent clumping, so you can quickly and easily access all the available ice in your freezer.



Convenient Water Dispensing System

Bosch Integra refrigerators feature a fold-out pitcher flap that accepts even large pitchers. And when you're entertaining, the **ACTIVECHILL™** water replenishment system helps make sure there's always plenty of filtered, ice-cold water on hand for you and your guests.



77 Refrigeration

Model shown: Integra® 3-Door Bottom-Freezer (B36IT70SNS)

Integra® Refrigeration



(30") B30IR70NSP (Custom Panel)
(24") B24IR70NSP (Custom Panel)

Integra Refrigerator

One of the most ingenious new designs on the market, Bosch Integra refrigerators bring an unprecedented level of customization to your kitchen. They feature our exclusive **MARKETFRESH®** food preservation system to help keep your food at the peak of freshness. Because each unit is comprised of its own compressor and evaporator, it also eliminates the possibility of odor, moisture or air transfer between units.



(18") B18IF70NSP (Custom Panel)
(18") B18ID80N(R,L)P with dispenser (Custom Panel)

(30") B30IF70NSP (Custom Panel)
(24") B24IF70NSP (Custom Panel)
(24") B24ID80N(R,L)P with dispenser (Custom Panel)

Integra Freezer

Offered in 18, 24 and 30- inch sizes, Bosch Integra freezers help create a perfectly customized solution to fit your kitchen and your family's needs. The 18 and 24-inch models also feature convenient water dispensing system with a fold-out pitcher flap and the **ACTIVECHILL™** water replenishment system.



(36") B36IT71NNP 3-Door (Custom Panel)



(36") B36IB70NSP 2-Door (Custom Panel)

Integra Bottom-Freezer

The convenient French door and 2-door bottom freezers feature the **OPTIFLEX™** hinge which allows for doors to be mounted flush and open to 115 degrees and the **MAXBRIGHT®** halogen lighting system. Also, with a separate evaporator and compressor for both the refrigerator and freezer compartments, our **MARKETFRESH®** Food Preservation System helps keep your food fresher for longer.



(24") B24IW50NSP (Custom Panel)
(18") B18IW50NSP (Custom Panel)

Integra Wine Cooler

With a dual-temperature wine store system the Bosch Integra wine coolers store your wine collection at the ideal constant temperature and humidity. Isolated motors minimize vibration and allow the unit to run nearly silent so you can cook, each or entertain in any room.

Important: To install Integra Refrigeration properly, visit www.boschappliances.com for important information about required accessory kits for specific installations.

Integra® Refrigeration



Model Number

Refrigerator	Freezer	Bottom-Freezer	Wine Cooler
B24IR70xxx/B30IR70xxx	B18IF70xxx/B18ID80xxx B24IF70xxx/B24ID80xxx B30IF70xxx	B36IT70xxx/B36IB70xxx	B18IW50xxx/B24IW50xxx

Outlook

Color Options	SS/CP	SS/CP	SS/CP	SS/CP
Widths Available	24", 30"	18", 24", 30"	36" (3-Door or 2-Door)	18", 24"
Door Swing	Reversible	Order Right or Left w/Dispenser, Reversible w/o Dispenser	2-Door Reversible	Order Right or Left w/Dispenser, Reversible w/o Dispenser

Capacity

30" Refrigerator Unit	17.1 cu.ft.			
24" Refrigerator Unit	13.1 cu.ft.			
30" Freezer Unit		15.6 cu.ft.		
24" Freezer Unit		12.0 cu.ft.		
18" Freezer Unit		8.4 cu.ft.		
36" Refrigerator/Freezer Unit			19.7 cu.ft. (Fridge 13.9, Freezer 5.8)	
24" Wine Unit				98 Bottles/7 per shelf
18" Wine Unit				70 Bottles/5 per shelf

Freezer Compartment

Shelves		2		
Drawers		2 Full Extension	2 Full Extension	
Door Bins		5/2		

Fresh Food Compartment

Shelves	3		3	14
Drawers	2 Full Extension		3 Full Extension	
Door Bins	4		6 (3-door), 3 (2-door)	
Shelf Divider			2 (2-door)	

Wine Compartment

Shelves				Removable, Roller Shelves
Display Shelf				.

General Features

MAXBRIGHT® Lighting System	2 Upper Spot Lights, 2 Halogen Side Column Lights	2 Upper Spot Lights	2 Upper Spot Lights, 2 Halogen Side Column Lights, 2 Drawer Lights	1 Halogen Light, 1 LED Presenter Light
Temperature Controlled Drawer	1			
AIRFRESH™ Filter	.		.	.
Cool Door	.		.	
SUPERCOOL™	.		.	
SUPERFREEZE™		.	.	
Economy Mode	.	.	.	
Vacation Mode
Sabbath Mode
Electronic Controls
Water Filter
Water Change Indicator
Internal Filtered Ice Maker
ANTISTICK™		Dispenser Units		
Dispenser on/off		Dispenser Units		
External Cubed/Crushed Ice and Water Dispenser		Dispenser Units		
Glass Door				UV Protection
DUALTEMP™			.	2 Fully Adjustable Zones
Temperature Settings	35 to 46°F	-9 to 7°F	35 to 46°F/-9 to 7°F	37 to 64°F
ACTIVECHILL Water Replenishment		Dispenser Units		

Special Features

Fully Integrated
OPTIFLEX™ Hinge
Compressor	.	.	2	.
Evaporator	.	.	2	2
ENERGY STAR® Qualified
Pitcher Holder Flap		Dispenser Units		

Technical Data

Voltage/Frequency	120 V/60 Hz	120 V/60 Hz	120 V/60 Hz	120 V/60 Hz
Energy Consumption	278 kWh, 285 kWh	332 kWh, 446 kWh, 482 kWh	435 kWh, 478 kWh	365 kWh, 380 kWh
Wattage*	180 W, 180 W	367 W, 444 W, 504 W	588 W, 588 W	92 W, 102 W

SS – Stainless Steel, CP – Custom Panel

*15 amp circuit recommended.



Warranty Information: BSH warrants that its Refrigerators are free from defects in materials and workmanship for a period of twelve (12) months from the Date of Installation. During the warranty period, BSH or its authorized service center will repair or replace, at its sole option, any Refrigerator that proves to have been defective under conditions of normal use without charge. All removed parts and components shall become the property of BSH, at BSH's option. All replaced and/or repaired parts shall assume the identity of the original part for purposes of this warranty and this warranty shall not be extended with respect to such parts. In the second through fifth years from the date of purchase, when this refrigerator is operated and maintained according to instructions attached to or furnished with the product, Bosch will pay for factory specified replacement parts and repair labor costs to correct defects in materials or workmanship in the sealed refrigeration system. These parts are: compressor, evaporator, condenser, dryer, and connecting tubing. Service must be performed by a Bosch designated service company.

Specifications and Quick Reference Guide

Step 1: Columns/Bottom Freezers			Step 2: Panels		Step 3: Handles	
Type	Width	Door Swing Type	Custom Panel	Integrated Stainless Steel Panel**	Bosch Handle*	
Refrigerators						
B24IR70NSP	24"	Reversible	Panel Ready	BOSS24DRR1(right) or BOSS24DRL1(left)	BOHANDL100	
B30IR70NSP	30"	Reversible	Panel Ready	BOSS30DRR1(right) or BOSS30DRL1(left)		
Freezers						
B18IF70NSP	18"	Reversible	Panel Ready	BOSS18DRR1(right) or BOSS18DRL1(left)		
B24IF70NSP	24"	Reversible	Panel Ready	BOSS24DRR1(right) or BOSS24DRL1(left)		
B30IF70NSP	30"	Reversible	Panel Ready	BOSS30DRR1(right) or BOSS30DRL1(left)		
Freezers with Dispenser						
B18ID80NLP	18"	Left	Panel Ready	BOSS18DDL1		
B18ID80NRP	18"	Right	Panel Ready	BOSS18DDR1		
B24ID80NLP	24"	Left	Panel Ready	BOSS24DDL1		
B24ID80NRP	24"	Right	Panel Ready	BOSS24DDR1		
Wine Coolers						
B18IW50NSP	18"	Reversible	Panel Ready	BOSS18DWR1(right) or BOSS18DWL1(left)		
B24IW50NSP	24"	Reversible	Panel Ready	BOSS24DWR1(right) or BOSS24DWL1(left)		
Bottom-Freezers / French Door Bottom-Freezers						
B36IB70NSP	36"	Reversible	Panel Ready	BOSS362DR1(right) or BOSS362DL1(left)		
B36IT70NNP	36"	No swing change	Panel Ready	BOSS363D10		

Use BOSEALKIT1 when installing two or more units side-by-side.

Use BOHEATKIT1 when installing a unit less than 6" apart from a cooking unit.



Model shown: Evolution™ Refrigerator (B20CS80SNW)

Performance you can use.

Bosch Evolution refrigerators deliver the impressive performance that our home appliances are known for throughout the world. Technologies like the temperature controlled drawer and **SUPERCOOL™** keep food fresher longer, while advanced engineering makes our refrigerators quieter, more efficient and economical. Add in premium features, and it's easy to see why Evolution refrigerators are the perfect addition to any contemporary kitchen.



SUPERCOOL

To help prevent food spoilage of already-cooled items when placing newly purchased goods next to them and to quickly cool new items, this feature minimizes temperature fluctuations by temporarily bringing the refrigerator to its coolest temperature setting with just the touch of a button.



SUPERFREEZE™

This feature works similarly to **SUPERCOOL**, helping to prevent food spoilage by keeping already-frozen items cold when placing newly purchased goods next to them, and cooling new items as quickly as possible. It does this by minimizing temperature fluctuations with the touch of a button—temporarily dropping the freezer unit to its lowest temperature setting.



Temperature Controlled Drawer (TCD)

This drawer allows you to maintain a user-adjustable temperature independent of the refrigerator's interior temperature. With three different settings, depending on the type of food being stored, even highly perishable items can stay fresher longer and maintain optimum flavor.



Multi-Flow Shower Cooling System

By directing airflow through the interior compartment, this feature helps to eliminate warm and cold spots for more even and uniform cooling.



Bosch Evolution Refrigerators are backed by The *Good Housekeeping Seal* — a two-year limited warranty.

Convenience you can appreciate.

Bosch appliances are all about making the home a more pleasant place to live, and Evolution™ refrigerators are certainly no exception. We've designed them with multiple convenience features, like adjustable shelves to maximize interior storage, an external ice and water dispenser, and even an alarm to signal you when the door is left open. With a Bosch Evolution refrigerator in the house, life is a lot cooler.



Door Alarm

To prevent energy waste and accidental food spoilage, this handy alarm gently notifies you when you've left the door open for over a minute.



Adjustable Tempered Glass Shelves

These shelves adjust up and down for maximum storage flexibility, and slide out for easy retrieval of food items stored in the back. Their spillproof design makes cleanup easy, while tough tempered glass resists cracking and chipping.



Exterior Ice and Water Dispenser

This convenient dispenser serves fresh, filtered water and both crushed and cubed ice on demand. Its large opening accommodates many cup and glass sizes easily.



Large Drawer Storage

Three large see-through drawers allow you to easily store, locate and retrieve food items. One-piece drawer construction allows for easy cleaning.



Dispenser Lock

This feature allows you to lock the dispenser controls, preventing small children from operating them or making adjustments without adult supervision.



Evolution™ Refrigeration Specifications



Stainless Steel
(B20CS81SNS model shown)

Evolution Refrigerators

Bosch refrigerators are a stylish and technologically sophisticated food storage solution for today's modern kitchens. Their sleek European design features hidden hinges for a built-in look, brushed aluminum handles (800 Series only) and color-matched sides. Advanced technology like the Multi-flow Shower Cooling System ensures that food stays at the peak of freshness longer, while the practical external temperature control allows you to adjust the temperature while the door is closed to save energy.

Model Number

Outlook

Color Options

Capacity

Freezer

Fridge

Total

Freezer Compartment

Shelves

Drawers

Door Bins

Ice Maker

Refrigeration Compartment

Shelves

Egg Tray

Wine Shelf (Silver Metallic Coated)

Gallon Bin

Non-Gallon Bin

Dairy Bin

Drawers

TCD (Temp. Controlled Drawer)

General Features

Multi-flow Shower Cooling System

Electronic Temperature Control

Dispenser

SUPERCOOL™

SUPERFREEZE™

Dispenser Water and Crushed/Cubed Ice

Water Filter Reset

Ice Maker Lock

Dispenser Control Lock

Door Open Alarm

Handle

Special Features

Hidden Hinge

Color Matched Sides

Easy Moving Handles on Top Rear and Bottom

Adjustable Rollers (2 ea. in front)

Technical Data

Voltage/Frequency

Energy Consumption

Amps

Color Key:

The "x" in the model number indicates the color variant.

Please use this color key:

S = Stainless Steel (SS)

I = Stainless Steel Look (SSL)

B = Black (B)

W = White (W)



Stainless Steel
(B20CS51SNS model shown)



Stainless Look
(B20CS51SNI model shown)



**Black w/Stainless
Look Handle**
(B20CS81SNB model shown)



Black w/Black Handle
(B20CS51SNB model shown)



**White w/Stainless
Look Handle**
(B20CS81SNW model shown)



White w/White Handle
(B20CS51SNW model shown)



Evolution 800 Series
B20CS81SNx

SS/B/W

7.48 cu.ft.
12.53 cu.ft.
20.01 cu.ft.

3 Adjustable, Slide-Out, Glass
2
4 (3 Tilt-Out)

3 Adjustable, Slide-Out, Spill-Proof Glass

•

•

1

3

1

3

•

•
Exterior Dispenser
Big Opening, Soft Touch

•

•

•

•

•

Stainless Look Handle On All Color Options

•

•

•

•

115 V/60 Hz
518 kWh/yr
15 A



Evolution 500 Series
B20CS51SNx

SS/SSL/B/W

7.48 cu.ft.
12.71 cu.ft.
20.19 cu.ft.

3 Adjustable, Slide-Out, Glass
2
4 (3 Tilt-Out)

3 Adjustable, Slide-Out, Spill-Proof Glass

•

•

1

3

1

3

•

•
Exterior Dispenser
Big Opening, Soft Touch

•

•

•

•

•

Matching Handle On All Color Options

•

•

•

•

115 V/60 Hz
518 kWh/yr
15 A



LEARN MORE AT
energystar.gov

Warranty Information: BSH warrants that its Refrigerators are free from defects in materials and workmanship for a period of twelve (12) months from the Date of Installation. During the warranty period, BSH or its authorized service center will repair or replace, at its sole option, any Refrigerator that proves to have been defective under conditions of normal use without charge. All removed parts and components shall become the property of BSH, at BSH's option. All replaced and/or repaired parts shall assume the identity of the original part for purposes of this warranty and this warranty shall not be extended with respect to such parts. In the second through fifth years from the date of purchase, when this refrigerator is operated and maintained according to instructions attached to or furnished with the product, Bosch will pay for factory specified replacement parts and repair labor costs to correct defects in materials or workmanship in the sealed refrigeration system. These parts are: compressor, evaporator, condenser, dryer and connecting tubing. Service must be performed by a Bosch designated service company.



A **better** way to do laundry.



Bosch washers and dryers have been steadily advancing and improving since we introduced our first front-loading models in Europe over 50 years ago. Today, our machines are so advanced that they are the most energy efficient line of full-sized washers in the U.S. and exceed ENERGY STAR® requirements by 102%. All this while still offering superior cleaning results and quieter operation and the industry exclusive **AQUASTOP™** leak protection system ensures safe operation even when you are away from home. Major water damage is a thing of the past. This powerful combination of efficiency, quietness, value and engineering is what makes Bosch washers and dryers the best you'll ever own. **Invented for life.**



Models shown: Nexxt® 800 Series Washer (WFC8401) and Dryer (WTMC8321)

Caring for the environment and your clothes.

Bosch washers are the most efficient in the country. In fact, 750 billion gallons of water would be saved if everyone buying a new washer in 2008 purchased a Bosch washer rather than a conventional washer. Thanks to features like **ECOSENSOR®** and **ECOACTION™**, our laundry pair delivers unrivalled efficiency. Plus, every one of our washers already exceeds ENERGY STAR® 2011 requirements, because we are committed to helping preserve our planet's resources, one home at a time.



ECOACTION

For ultimate efficiency, Bosch washers and dryers each offer **ECOACTION**. This option adjusts cycle temperature and cycle length with the touch of a button. Energy consumption is reduced by up to 10% in the dryers and up to an impressive 20% in the washers.



ECOSENSOR

Bosch dryers offer this innovative monitoring system that delivers precise drying results, unrivalled efficiency and gentle care for your clothes. As your clothes dry, it reduces heat, so your laundry dries efficiently and without any unnecessary energy usage.



ENERGY STAR® Qualified

Bosch clothes washers are ultra efficient. In fact, they exceed ENERGY STAR® requirements by up to 102%.



Water Efficiency

A complex network of sensors constantly monitors the wash cycle to produce the best wash results using the least amount of water.

*Based on current 2008 Department of Energy data and information.

Quiet and safe performance.

Safety is important to you and your family. That's why Bosch developed the industry exclusive **AQUASTOP®** Leak Protection System. Major leaks are finally a thing of the past. And combined with our special sound-minimizing technology, Bosch brings you the safest and quietest* laundry pair in the US. So quiet in fact, that they easily adapt to the evolving trend toward laundry machines in bedrooms and bedroom-adjacent closet space. Save yourself the constant trips to the garage, utility room or basement.



AQUASTOP®

Bosch is the only U.S. manufacturer to offer a two-step leak protection system in their clothes washers. First, a double-walled hose contains the water if the inner hose breaks and a shut-off valve stops the water supply. Second, if the leak occurs in the bottom of the washer a sensor system shuts down operation and automatically pumps out water. **AQUASTOP®** eliminates the risk of major water damage.



Nearly Silent Wash System

By combining a high-quality brushless motor system, a low-friction belt drive and specially engineered housing for additional sound insulation, Bosch washers are the quietest in the industry.



ANTIVIBRATION System™

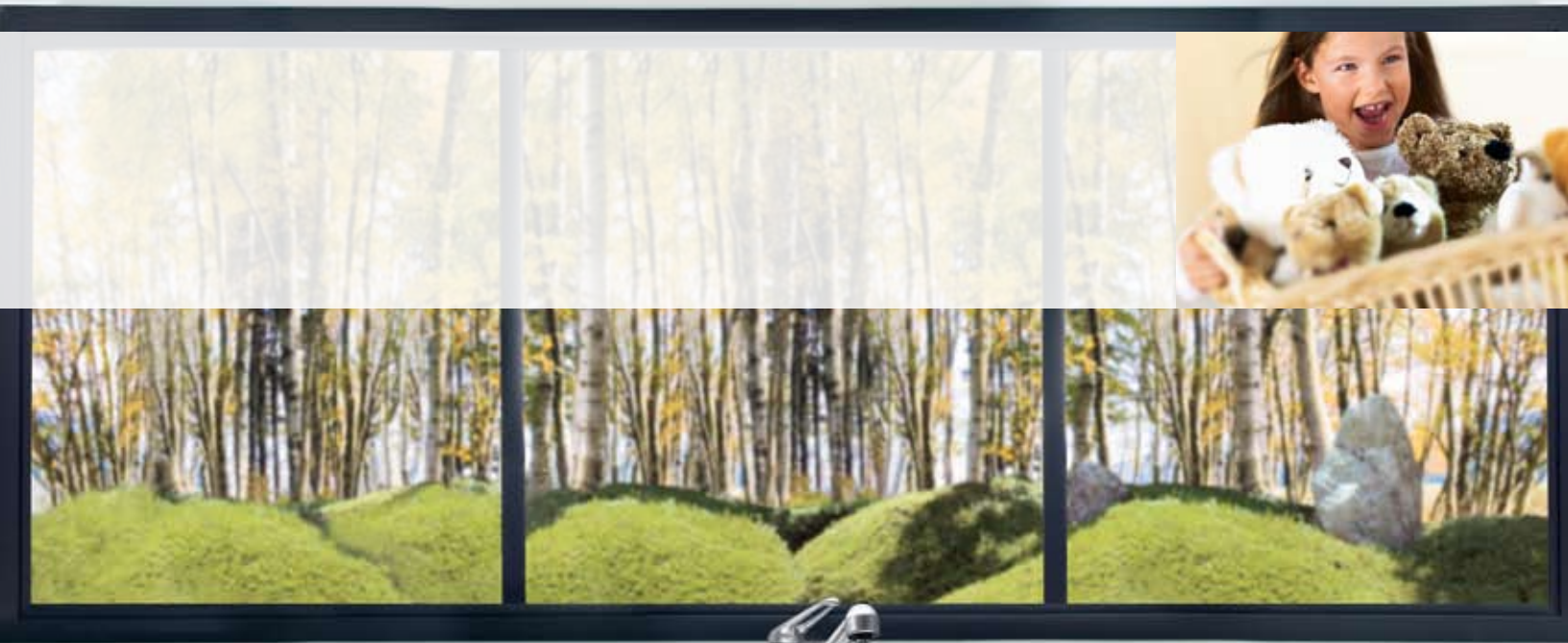
An advanced dampening-system drastically reduces vibration and noise from unbalanced loads during the spin cycle. This is especially important in homes where the laundry system is installed on the second story. No vibrations will be transmitted to the floor and ceiling below, ensuring safe and quiet operation.

*Full sized front-loading category.



BOSCH

BOSCH



Models shown: Nexxt® 500 Plus Series Washer (WFMC5305) and Dryer (WTMC5325)

Gentle care your clothes deserve.

Bosch washers and dryers offer gentle care for your laundry because we understand that caring for your family's clothes is one way you care for your family. So we have combined features that deliver superior performance as well as gentleness such as **SENSOTRONIC® PLUS**, specially designed paddles and drying methods that protect the integrity of fabrics, without compromising cleanliness. In our new dryers the versatile **MISTCARE™** feature pampers your clothes with a spa-like gentleness. Refresh, relax and touch-up. In the washers specially designed Archie paddles actively cascade water from above onto your clothes and the advanced SENSOTRONIC Plus constantly adjusts temperature and water for an optimal and individual treatment of every load.



MISTCARE

Wrinkle relax, touch up, or refresh clothes with an ultra-fine mist in less than 20 minutes. Relax wrinkles to reduce or eliminate the need for ironing and dry-cleaning. Select "Touch Up" to soften garments that have remained in the dryer long after the cycle ended - for that just-out-of-the-dryer freshness. Refresh previously worn clothes to remove odors such as smoke or perfume.



SENSOTRONIC PLUS

Tender loving care starts with technology. So we offer **SENSOTRONIC PLUS**, a network of sensors that analyze your wash, determining load size, temperature and more, then adjusts levels automatically to care gently for everything from wool to silk.



ARCHIE® Paddles

As your wash gently tumbles, Bosch's patented **ARCHIE** paddles cascade water from high above, rinsing away suds and giving your laundry a complete, gentle clean, without the use of a harmful agitator. Plus, an ingenious inclined drum helps to ensure that not a single shirt goes untuned.



Gentle Drying

Bosch dryers blow a high volume of air at lower temperatures rather than overheating clothes like most dryers do. So your clothes are dried perfectly, keeping them beautiful for years to come, while using less energy than traditional dryers.

Exceptional convenience, superior **performance.**

We work hard to make doing laundry the best it can be. With washers and dryers designed for superior performance and convenience that truly make a difference in day-to-day life. We have developed new wash and dry cycles, like our Jeans cycle and Comforter cycle that make doing laundry easier than ever. And since we are never content to compromise, our laundry machines are equipped with performance-oriented features such as extra-fast cycles and sanitization cycles which prove our machines are as serious about performance as they are about convenience.



Stain Removal Option

Remove 14 different everyday stains with just a touch of a button. Different stains require different temperatures to treat them, so the Stain Removal Option incrementally increases water temperature to target each stain at the optimal level. Select with any cycle and easily remove grass, red wine or tough grease stains without pre-soaking.



XXTRASANITARY® Cycle

Using a thermostat-controlled, intelligent sensor for improved precision, this innovative cycle heats up the water to 170°F and maintains this temperature for exactly 3 minutes. After killing 99.9% of most common household bacteria, the water temperature is reduced to a gentler 150°F to prevent fabric breakdown. Clothes are thoroughly cleaned and sanitized with no damage to the fibers.



KIDSCARE™ Cycle

The littlest people in the house usually account for the toughest stains. This cycle heats the wash water up to 150°F to remove even the most stubborn stains with ease.



Quick Wash Cycles

Our quick wash cycles help you clean clothes fast when you're running short on time.



Jeans Cycle

Bosch has engineered a special wash program designed especially to care for denim. It features specific temperature and spin profiles to prevent fading, which prolongs the life of the fabric.



Bosch **Nexxt** Washers and Dryers are backed by The *Good Housekeeping Seal* —a two-year limited warranty.



Models shown: Nexxt® 500 Plus Series Washer (WFM5321) and Dryer (WTMC5321)

Nexxt® Washer Specifications

Nexxt 800 Series Washer (Available in Silver/White Duo-Tone)

With **AQUASTOP™**



Efficiency	Quiet and Safe Performance	Gentle Care
<ul style="list-style-type: none"> • ECOACTION™ Saves Up to 20% in Energy Usage Per Cycle • ENERGY STAR® Qualified – Exceeds 2011 Federal Standards • Extremely Efficient – 102% Above ENERGY STAR® Requirements 	<ul style="list-style-type: none"> • SENSOTRONIC® II PLUS Analyzes Your Washer for Appropriate Level and Temperature of Water • Up to 1,200 RPM Spin = Ultimate Water Extraction, Less Drying Time & Energy Usage 	<ul style="list-style-type: none"> • 52 dBA Rating • ANTIVIBRATION SYSTEM™ Reduces vibration and noise from unbalanced loads • AQUASTOP® Leak protection System
		<ul style="list-style-type: none"> • Snag-Free Stainless Steel Inclined Drum • Up to 5 Rinse Cycles • 15 Individually Tailored Washing Programs • XXTRASANITARY® Cycle Kills 99% of Common Household Bacteria • Quick Wash Cycle • Refresh Cycle • 3 ARCHIE® Paddles Lift & Rotate Clothes While Cascading Water to Ensure a Complete & Even Clean • Jeans Program • Comforter Program

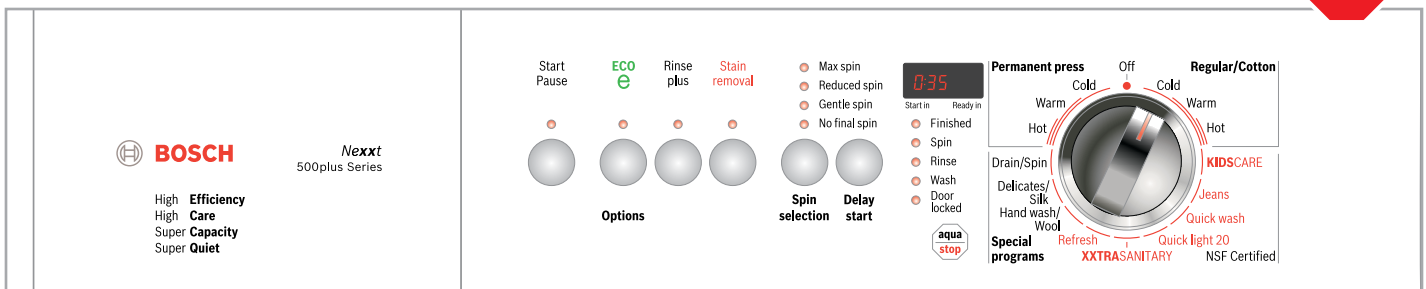
Nexxt 800 Series Washer (Available in Silver/White Duo-Tone and White)



Efficiency	Quiet Performance	Gentle Care
<ul style="list-style-type: none"> • ECOACTION™ Saves Up to 20% in Energy Usage Per Cycle • ENERGY STAR® Qualified – Exceeds 2011 Federal Standards • Extremely Efficient – 102% Above ENERGY STAR® Requirements 	<ul style="list-style-type: none"> • 52 dBA Rating 	<ul style="list-style-type: none"> • Snag-Free Stainless Steel Inclined Drum • Up to 5 Rinse Cycles • 15 Individually Tailored Washing Programs • XXTRASANITARY® Cycle Kills 99% of Common Household Bacteria • AQUAGUARD™ Waterproofing Cycle • Refresh Cycle • 3 ARCHIE® Paddles Lift & Rotate Clothes While Cascading Water to Ensure a Complete & Even Clean • Jeans Program • Comforter Program

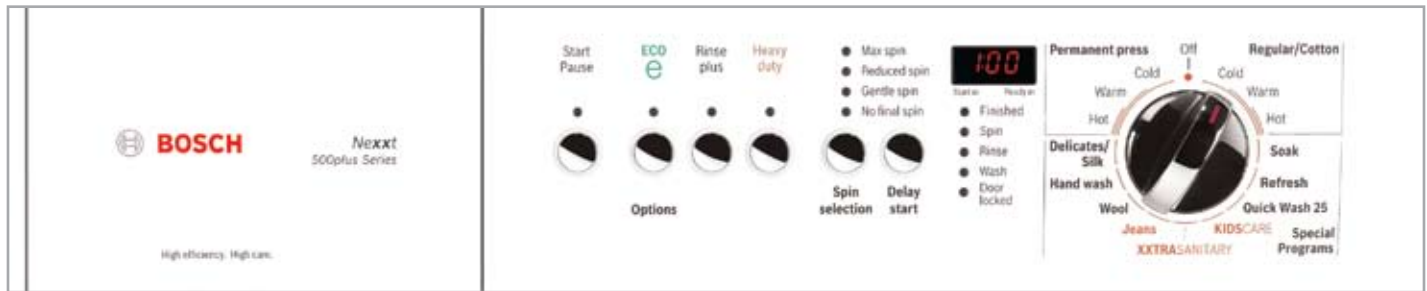
Nexxt 500 Plus Series Washer (Available in Champagne/White Duo-Tone, White and Silver)

With **AQUASTOP™**



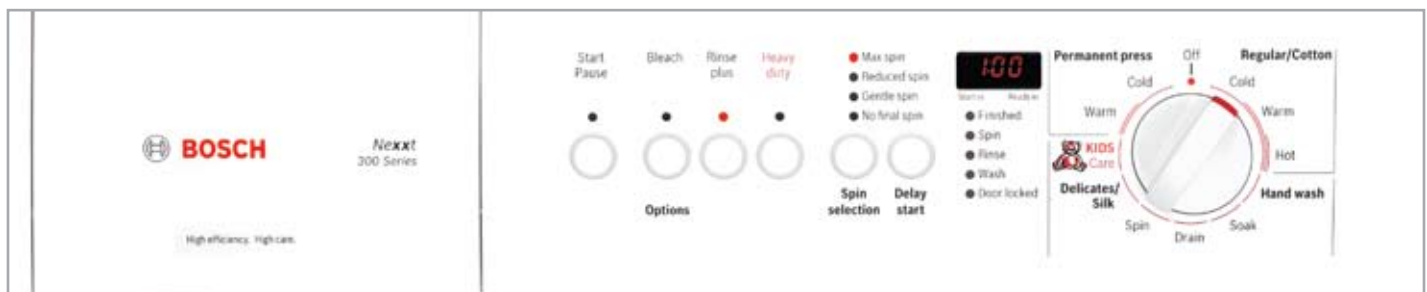
Efficiency	Quiet and Safe Performance	Gentle Care
<ul style="list-style-type: none"> • ECOACTION Saves Up to 20% in Energy Usage Per Cycle • ENERGY STAR® Qualified – Exceeds 2011 Federal Standards • Extremely Efficient – 98% Above ENERGY STAR® Requirements 	<ul style="list-style-type: none"> • 52 dBA Rating • ANTIVIBRATION SYSTEM™ Reduces vibration and noise from unbalanced loads • AQUASTOP® Leak protection System 	<ul style="list-style-type: none"> • Snag-Free Stainless Steel Inclined Drum • Up to 5 Rinse Cycles • 15 Individually Tailored Washing Programs • Quick Wash 20 Cycle • Refresh Cycle • XXTRASANITARY Cycle Kills 99% of Common Household Bacteria • 3 ARCHIE Paddles Lift & Rotate Clothes While Cascading Water to Ensure a Complete & Even Clean • Jeans program

Nexxt 500 Plus Series Washer (Available in Champagne/White Duo-Tone and white)



Efficiency	Quiet Performance	Gentle Care
<ul style="list-style-type: none"> • ECOACTION Saves Up to 20% in Energy Usage Per Cycle • ENERGY STAR® Qualified – Exceeds 2011 Federal Standards • Extremely Efficient – 98% Above ENERGY STAR® Requirements • SENSOTRONIC PLUS Analyzes Your Washer for Appropriate Level and Temperature of Water • Up to 1,100 RPM Spin = Ultimate Water Extraction, Less Drying Time & Energy Usage 	<ul style="list-style-type: none"> • 52 dBA Rating 	<ul style="list-style-type: none"> • Snag-Free Stainless Steel Inclined Drum • Up to 5 Rinse Cycles • 15 Individually Tailored Washing Programs • Quick Wash 25 Cycle • Refresh Cycle • XXTRASANITARY Cycle Kills 99% of Common Household Bacteria • 3 ARCHIE Paddles Lift & Rotate Clothes While Cascading Water to Ensure a Complete & Even Clean • Jeans program

Nexxt® 300 Series Washer (Available in White, Red/White Duo-Tone and Blue/White Duo-Tone)



Efficiency	Quiet Performance	Gentle Care
<ul style="list-style-type: none"> • ENERGY STAR® Qualified – Exceeds 2011 Federal Standards • Extremely Efficient – 93% Above ENERGY STAR® Requirements • SENSOTRONIC PLUS Analyzes Your Washer for Appropriate Level and Temperature of Water • Up to 1,000 RPM Spin = Ultimate Water Extraction, Less Drying Time & Energy Usage 	<ul style="list-style-type: none"> • 56 dBA Rating • ANTIVIBRATION SYSTEM™ Reduces vibration and noise from unbalanced loads 	<ul style="list-style-type: none"> • Snag-Free Stainless Steel Inclined Drum • Up to 5 Rinse Cycles • 11 Individually Tailored Washing Programs • 3 ARCHIE® Paddles Lift & Rotate Clothes while Cascading Water to Ensure a Complete & Even Clean • KIDSCARE™ Cycle for Tough Stains

Nexxt® Washer Specifications



800 Series
WFCM844xUC

Model Number

Core Features

Color Options	SW
Drum Capacity (IEC)	4.2
Spin Speed	1,200 rpm

Silence Rating

dBA (IEC)	52
-----------	----

Water and Energy Efficiency

Energy Use	150 KWh/y
Annual Water Usage (Gallons)	5,787
Energy Star® Qualified	•

Cycles

Regular/Cotton - Cold, Warm, Hot	•
Perma Press - Cold, Warm, Hot	•
Delicates/Silk	•
Hand Wash	•
Wool	•
Jeans	•
xxtrasanitary™	•
AQUA GUARD	•
KIDSCARE ™	•
Spin	•
Soak	•
Drain	•
Refresh	•
Comforter	•
Quick Wash	•
Quick Wash 25	•
Quick Wash Light 20	•

Optional Settings

ECO ACTION™	•
Rinse Plus	•
Stain Removal	•
Bleach	•
Spin Speed	•
Reduced Ironing	•
Time Delay	24 hrs.
Quick Wash Option	•

Advanced Features

New AQUASTOP ® Leak Protection	•
ANTIVIBRATION ™ System	•
Internal Water Heater for Guaranteed Temperatures	•
ARCHIE ® Paddles	•
Stainless Steel Inclined Drum	•
SENSO TRONIC® Plus (Dynamic Load, Digital Temperature, Suds, and Unbalance Sensor)	•
SENSO TRONIC II Plus (Digital Temperature Sensor, Continuous)	•

Technical Data

Supply Voltage	120 V
Frequency	60 Hz
Amperage	15 A
Heating	1,000 W
UL Listed	•

Color Key:

The "x" in the model number indicates the color variant. Please use this color key:

800 Series	500 Plus and 300 Series
1 = Silver/White Duo-Tone (SW)	C = Champagne/White Duo-Tone (CW)
0 = White (W)	1 = White (W)
	S = Silver (S)
	R = Red/White Duo-Tone (RW)
	B = Blue/White Duo-Tone (BW)



Nexxt 800 Series with 15" Pedestals (WTZ1500P)



Nexxt 500 Plus Series with 15" Pedestals (WTZ1500C)



Nexxt 500 Plus Series with 8" Pedestals (WTZ1295)



Nexxt 500 Plus Series with 8" Pedestals (WTZ1295S)



Nexxt 300 Series with 15" Pedestals (WTZ1500R)



Nexxt 300 Series with 15" Pedestals (WTZ1500B)



800 Series
WFMC840xUC

500 Plus Series
WFMC544xUC

500 Plus Series
WFMC530xUC

300 Series
WFMC220xUC

W	S	W/CW	W/BW/RW
4.0	4.2	4.0	4.0
1,200 rpm	1,200 rpm	1,100 rpm	1,000 rpm
54	52	54	56
151 KWh/y 5,363	150 KWh/y 5,787	151 KWh/y 5,508	165 KWh/y 5,625
.	.	.	.
.	.	.	Cold, Warm
.	.	.	.
.	.	.	.
.	.	.	.
.	.	.	.
.	.	.	.
.	.	.	.
.	.	.	.
.	.	.	.
.	.	.	.
.	.	.	.
.	.	Heavy Duty	.
.	.	.	.
24 hrs.	19 hrs.	19 hrs.	19 hrs.
.	.	.	.
.	.	.	.
.	.	.	.
.	.	.	.
120 V	120 V	120 V	60 Hz
60 Hz	60 Hz	60 Hz	15 A
15 A	15 A	15 A	1,000 W
1,000 W	1,000 W	1,000 W	.
.	.	.	.



LEARN MORE AT
energystar.gov

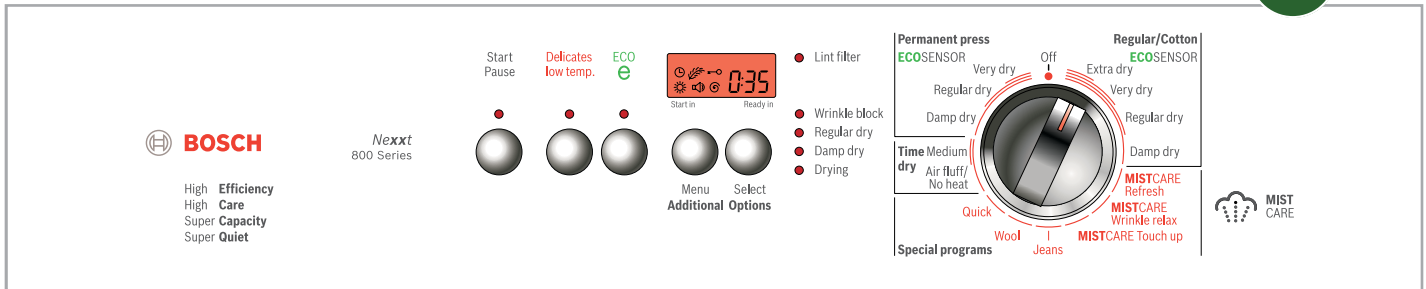
Accessories	Model Number
8" Pedestal White	WTZ1295
8" Pedestal Silver	WTZ1295S
8" Pedestal Silver/White Duo-Tone	WTZ1295P
15" Pedestal White	WTZ1500
15" Pedestal Silver	WTZ1500S
15" Pedestal Silver/White Duo-Tone	WTZ1500P
15" Pedestal Champagne/White Duo-Tone	WTZ1500C
15" Pedestal Red/White Duo-Tone	WTZ1500R
15" Pedestal Blue/White Duo-Tone	WTZ1500B

Washers and Dryers are UL approved. Nexxt Laundry Systems warranty information: BSH warrants that its laundry products are free from defects in materials and workmanship for a period of 1 year for labor, 2 years for parts, 2 years on stainless steel drum and all electronic components including motor (parts only). Certain limitations apply. See manufacturer's limited warranty for details. Warranty only applies to manufacturer's defective merchandise, and does not cover third-party damages to the product, including, without limitation, damages incurred in shipping, installation, servicing, or through consumer abuse or negligence. This warranty is the sole and exclusive remedy for any defective product. Manufacturer's only obligation is to repair defective product or parts thereof; manufacturer has no obligation to replace product that is capable of being repaired.

Nexxt® Dryer Specifications

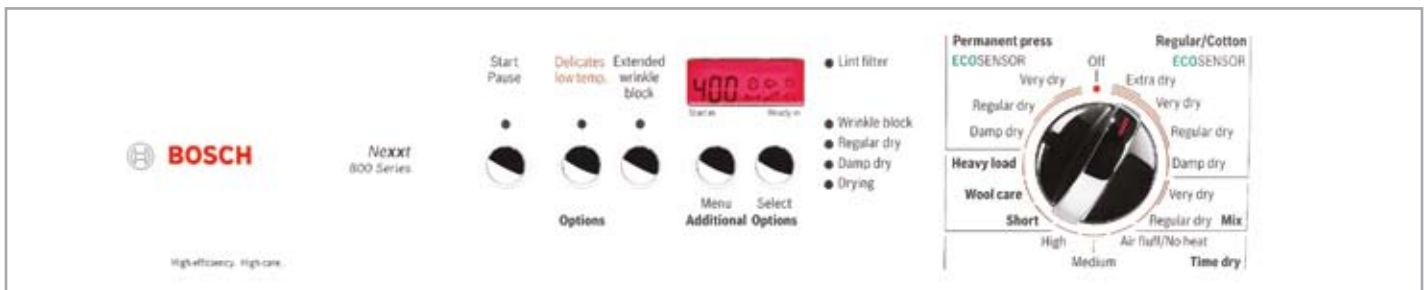
Nexxt 800 Series Dryer (Available in Silver/White Duo-Tone)

With MISTCARE™



Efficiency	Quiet Performance	Gentle Care
<ul style="list-style-type: none"> • ECOACTION™ Saves up to 10% in Energy Usage per Cycle • ECOSENSOR® Monitors the Drying Process to Make Sure the Proper Temperature is Maintained – Preventing Wasted Energy and Overdrying 	<ul style="list-style-type: none"> • 64 dBA Rating • Noise Dampening Technology 	<ul style="list-style-type: none"> • MISTCARE™ Relaxes wrinkles and refreshes clothes with an ultra-fine mist in less than 20 minutes • 15 Tailored Drying Programs • Up to 3-hours Extended WRINKLEBLOCK® • Snag-Free Stainless Steel Drum • Jeans
		<ul style="list-style-type: none"> • SYNCHROTECHNOLOGY® Coordinates Dryer Cycle Time with Washer Cycle Time – Preventing Wet Clothes From Waiting in Washer • 3 Asymmetric Paddles for 3-Dimensional Tumbling of Clothes for Faster, Gentler Drying • Quick Dry Cycles

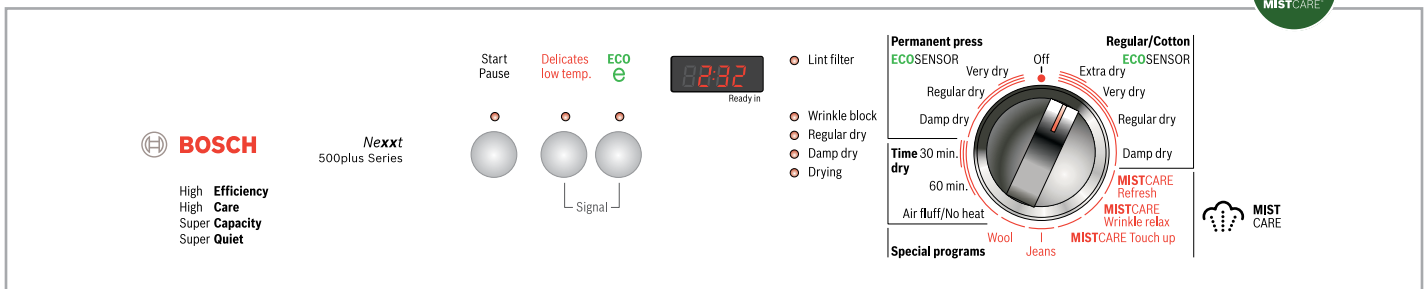
Nexxt 800 Series Dryer (Available in White)



Efficiency	Quiet Performance	Gentle Care
<ul style="list-style-type: none"> • ECOSENSOR® Monitors the Drying Process to Make Sure the Proper Temperature is Maintained – Preventing Wasted Energy and Overdrying 	<ul style="list-style-type: none"> • 64 dBA Rating • Noise Dampening Technology 	<ul style="list-style-type: none"> • 15 Tailored Drying Programs • Up to 3-hours Extended WRINKLEBLOCK® • Snag-Free Stainless Steel Drum • High Air Volume, Low Heat Drying Philosophy Protects Fibers from Heat Damage
		<ul style="list-style-type: none"> • SYNCHROTECHNOLOGY® Coordinates Dryer Cycle Time with Washer Cycle Time – Preventing Wet Clothes From Waiting in Washer • 3 Asymmetric Paddles for 3-Dimensional Tumbling of Clothes for Faster, Gentler Drying

Nexxt 500 Plus Series Dryer (Available in White and Silver)

With MISTCARE™



Efficiency	Quiet Performance	Gentle Care
<ul style="list-style-type: none"> • ECOACTION™ Saves up to 10% in Energy Usage per Cycle • ECOSENSOR® Monitors the Drying Process to Make Sure the Proper Temperature is Maintained – Preventing Wasted Energy and Overdrying 	<ul style="list-style-type: none"> • 67 dBA Rating • Noise Dampening Technology 	<ul style="list-style-type: none"> • MISTCARE™ Relaxes wrinkles and refreshes clothes with an ultra-fine mist in less than 20 minutes • 15 Tailored Drying Programs • Up to 3-hours Extended WRINKLEBLOCK® • Snag-Free Stainless Steel Drum • Jeans
		<ul style="list-style-type: none"> • SYNCHROTECHNOLOGY® Coordinates Dryer Cycle Time with Washer Cycle Time – Preventing Wet Clothes From Waiting in Washer • 3 Asymmetric Paddles for 3-Dimensional Tumbling of Clothes for Faster, Gentler Drying • Quick Dry Cycles

Nexxt 500 Plus Series Dryer (Available in Champagne/White Duo-Tone and White)



Efficiency	Quiet Performance	Gentle Care
<ul style="list-style-type: none"> • ECOSENSOR Monitors the Drying Process to Make Sure the Proper Temperature is Maintained – Preventing Wasted Energy and Overdrying 	<ul style="list-style-type: none"> • 67 dBA Rating • Noise Dampening Technology 	<ul style="list-style-type: none"> • 11 Tailored Drying Programs • 1-hour Extended WRINKLEBLOCK • Snag-Free Stainless Steel Drum • High Air Volume, Low Heat Drying Philosophy Protects Fibers from Heat Damage • SYNCHROTECHNOLOGY Coordinates Dryer Cycle Time with Washer Cycle Time – Preventing Wet Clothes From Waiting in Washer • 3 Asymmetric Paddles for 3-Dimensional Tumbling of Clothes for Faster, Gentler Drying

Nexxt® 500 Series Dryer (Available in White, Red/White Duo-Tone and Blue/White Duo-Tone)



Efficiency	Quiet Performance	Gentle Care
<ul style="list-style-type: none"> • ECOSENSOR® Monitors the Drying Process to Make Sure the Proper Temperature is Maintained – Preventing Wasted Energy and Overdrying 	<ul style="list-style-type: none"> • 67 dBA Rating • Noise Dampening Technology 	<ul style="list-style-type: none"> • 11 Tailored Drying Programs • 1-hour Extended WRINKLEBLOCK® • Snag-Free Stainless Steel Drum • High Air Volume, Low Heat Drying Philosophy Protects Fibers from Heat Damage • SYNCHROTECHNOLOGY® Coordinates Dryer Cycle Time with Washer Cycle Time – Preventing Wet Clothes From Waiting in Washer • 3 Asymmetric Paddles for 3-Dimensional Tumbling of Clothes for Faster, Gentler Drying

Nexxt® Dryer Specifications



800 Series
WTMC833xUS/CN (Elect.)
WTMC8530UC (Gas)

Model Number

Core Features

Color Options	SW
Drum Capacity (IEC)	6.7

Silence Rating

dBA (IEC)	64
-----------	----

Cycles

MISTCARE™ Refresh	•
MISTCARE™ Wrinkle Relax	•
MISTCARE™ Touch up	•
Timed Dry	•
Air Fluff/No heat	•
Regular	4
Perma Press	3
Mix – Very Dry, Regular Dry	•
Short Cycle	•
Heavy Load	•
Wool Care	•
Jeans	•

Optional Settings

ECOACTION™	•
Delicates/Low Temperature	•
Extended WRINKLEBLOCK™	•
Child Lock-Out Function	•
Damp Dry Signal	•

Advanced Features

Display	LCD
Sequence Indicator	•
End-of-Cycle Signal	•
Time Remaining Display	•
WRINKLEBLOCK™	3 hrs
Lint Filter Indicator	•
Clock	•
ECOSENSOR™	•
SYNCHROTECHNOLOGY® Operation Logic	•
Stainless Steel Drum	•
3 Asymmetric Paddles	•
DUOTRONIC® with Moisture & Temp Sensors	•
Humidity Control Drying Process	•
Baffle System	•

Technical Data

Supply Voltage	208/240V or 120 V (Gas)
Frequency	60 Hz
Amperage	30A/15 A (Gas)
UL Listed	•

Color Key:

The “x” in the model number indicates the color variant. Please use this color key:

800 Series	500 Plus and 500 Series
1 = Silver/White Duo-Tone (SW)	C = Champagne/White Duo-Tone (CW)
0 = White (W)	1 = White (W)
	S = Silver (S)
	R = Red/White Duo-Tone (RW)
	B = Blue/White Duo-Tone (BW)



Nexxt 800 Series with 15" Pedestals (WTZ1500P)



Nexxt 500 Plus Series with 15" Pedestals (WTZ1500C)



Nexxt 500 Plus Series with 8" Pedestals (WTZ1295)



Nexxt 500 Plus Series with 8" Pedestals (WTZ1295S)



Nexxt 300 Series with 15" Pedestals (WTZ1500R)



Nexxt 300 Series with 15" Pedestals (WTZ1500B)



Models shown: Axxis® Washer (WAS20160UC) and Axxis Dryer (WTE86300US)

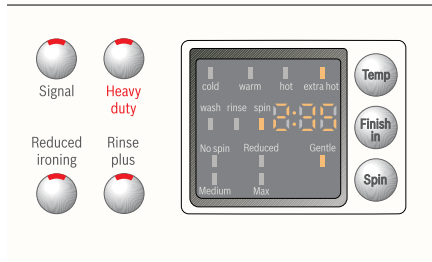
Get **more** done with less.

With the largest capacity in its class, the Axxis washer easily fits up to 14 pairs of jeans in one load, yet is packaged in a space-saving, 24-inch design that you can stack with the Axxis dryer for the ultimate in convenience. Axxis stackable laundry pairs have an exceptionally small footprint, saving valuable floor space while enjoying excellent cleaning results that are second to none. Axxis also features frugal energy and water consumption. And since the Axxis condensation dryer requires no external ducting, it reduces the installation cost while giving you greater flexibility in placement.



Structured Drum

The Axxis washer features a raindrop drum pattern that resists snags for powerful cleaning that protects your clothes. Depending on the cycle, the washer adjusts the direction of the drum rotation, using the steeper edges for heavy-duty jobs or the shallow edges so delicate fabrics are cared for most gently.



Touch Control

Axxis washers are extremely easy to use thanks to their convenient touch control. Easily activate each cycle with just the touch of a button, then use the easy-to-read display to view your selection and monitor your progress.



Condensation Dryer – No Ducting Required

The Axxis Condensation Clothes Dryer condenses the moisture in the hot air to water and releases it through the water drain. No ducting and no blower is necessary to help expel hot air. This makes installation easy, fast and very cost effective. Its stackable design also allows this dryer to be installed virtually anywhere.



Pull-Out Tray

Bosch's Axxis dryers raise the bar on convenience. Available in the stacking kit, the pull-out tray gives you an easy place to situate a laundry basket and use it as a folding table for your warm, freshly dried clothes.

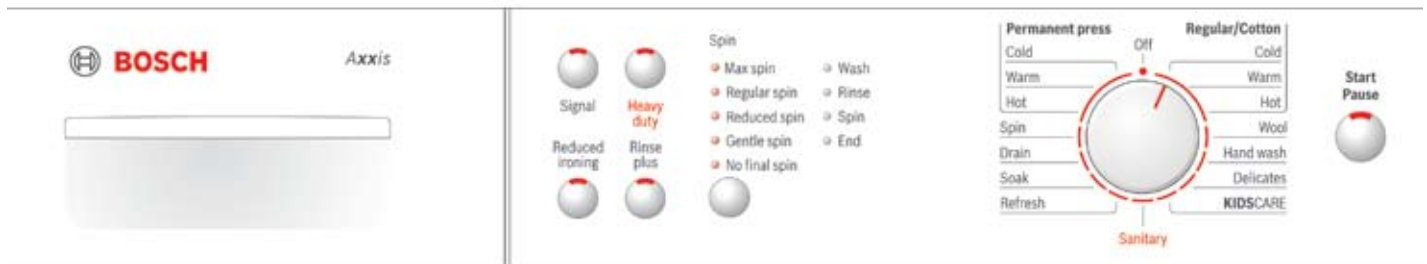
Axxis® Washer Specifications

Axxis Plus Washer (WAS24460UC)



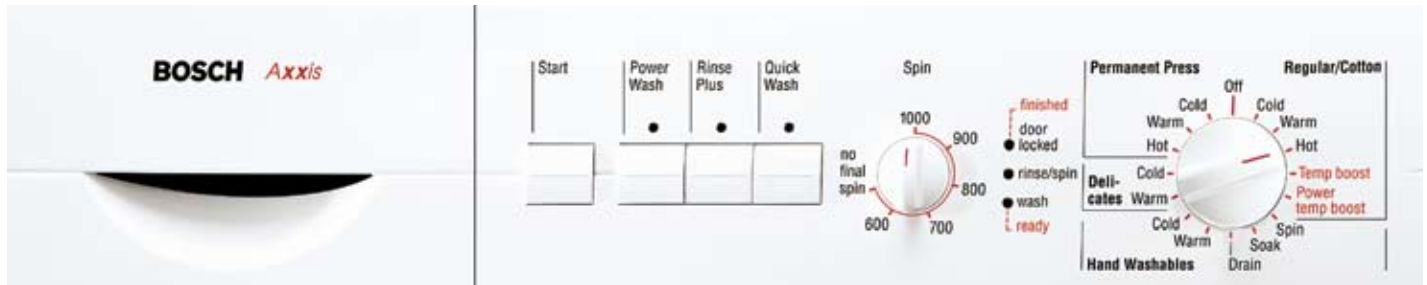
Efficiency	Quiet Performance	Gentle Care
<ul style="list-style-type: none"> Horizontal Axxis Wash System SENSOTRONIC® II Plus Analyzes Your Washer for Appropriate Level and Temperature of Water High-Efficiency Tumble Action Wash System 	<ul style="list-style-type: none"> ENERGY STAR® Qualified Up to 1,200 RPM Spin = Ultimate Water Extraction, Less Drying Time & Energy Usage 76% above ENERGY STAR® Requirements 	<ul style="list-style-type: none"> 56 dBA Silence Rating 15 Individually Tailored Washing Programs Unique Structured Drum Refresh Cycle Sports Wear Cycle Dark Colors Cycle 5 Wash/Rinse Temperatures SANITARY™ Cycle Reduced Ironing Option

Axxis Washer (WAS20160UC)



Efficiency	Quiet Performance	Gentle Care
<ul style="list-style-type: none"> Horizontal Axxis Wash System SENSOTRONIC® Plus Analyzes Your Washer for Appropriate Level and Temperature of Water High-Efficiency Tumble Action Wash System 	<ul style="list-style-type: none"> ENERGY STAR® Qualified Up to 1,000 RPM Spin = Ultimate Water Extraction, Less Drying Time & Energy Usage 70% above ENERGY STAR® Requirements 	<ul style="list-style-type: none"> 56 dBA Silence Rating 15 Individually Tailored Washing Programs Unique Structured Drum Refresh Cycle 5 Wash/Rinse Temperatures SANITARY™ Cycle Reduced Ironing Option

Axxis Washer (WFL2090UC)



Efficiency	Quiet Performance	Gentle Care
<ul style="list-style-type: none"> Horizontal Axxis Wash System SENSOTRONIC® Plus Analyzes Your Washer for Appropriate Level and Temperature of Water High-Efficiency Tumble Action Wash System 	<ul style="list-style-type: none"> ENERGY STAR® Qualified Up to 1,000 RPM Spin = Ultimate Water Extraction, Less Drying Time & Energy Usage 61% above ENERGY STAR® Requirements 	<ul style="list-style-type: none"> 56 dBA Silence Rating 15 Individually Tailored Washing Programs 5 Wash/Rinse Temperatures



Model Number	Axxis® Plus Washer WAS24460UC	Axxis Washer WAS20160UC	Axxis Washer WFL2090UC
Core Features			
Color Options	W	W	W
Drum Capacity (IEC)	3.4 cu.ft.	3.4 cu.ft.	2.1 cu.ft.
Spin Speed	Up to 1,200 rpm	Up to 1,000 rpm	Up to 1,000 rpm
Water & Energy Efficiency			
Energy Usage	130 kWh/yr	125 kWh/yr	121 kWh/yr
Annual Water Usage	3,904 gal	3,908 gal	4,755 gal
ENERGY STAR® Qualified	•	•	•
Silence Rating			
dBA	56 dBA	56 dBA	54 dBA
Design Elements			
Cabinet	White	White	White
Drum	Stainless Steel, Structured Drum	Stainless Steel, Structured Drum	Stainless Steel
Top	Mekalit	Mekalit	Mekalit
Wash Cycles			
Cotton	•		
Regular/Cotton		Cold, Warm, Hot	Cold, Warm, Hot, Temp Boost, Power Temp Boost
Perm Press	•	Cold, Warm, Hot	Cold, Warm, Hot
Delicates	•	•	Cold, Warm, Hot
Hand wash	•	•	Cold, Warm
Wool	•	•	
Soak	•	•	•
Drain	•	•	•
Spin	•	•	•
SANITARY™	•	•	
Refresh	•	•	
KIDSCARE™	•	•	
Quick Wash	•		•
Sports Wear	•		
Dark Colors	•		
Silk/Satin	•		
Wash Options			
Power Wash			•
Heavy Duty	•	•	
Rinse Plus	•	•	•
Child Lock-Out Function	•		
Reduced Ironing	•	•	
Delay Start	•		
Spin Speed Settings	5	5	5
Temperature Settings	5	5	5
Advanced Features			
Display	LED		
Internal Water Heater	•	•	•
High Efficiency Tumble Action Wash System	•	•	•
Stainless Steel Structured Drum	•	•	
Detergent Efficiency System with 3 Dispenser Chamber	•	•	•
SENSOTRONIC® Plus		•	•
SENSOTRONIC II Plus	•		
Time Remaining Display	•		
Adjustable End of Cycle Signal	•		
Leveling Legs/Height Adjustment Range	Yes, 15/32"	Yes, 15/32"	Yes, 19/32"
Control Types	Electronic/Touch Control	Electronic/Touch Control	Electronic
Status Indicators	•	•	•
Accessories (Purchased Separately)			
Vertical Stacking Kit with Pull-Out Tray	WTZ11300UC	WTZ11300UC	WTZ11300UC
Vertical Stacking Kit without Pull-Out Tray (4 brackets and screws)	WTZ11310UC	WTZ11310UC	WTZ11310UC
11" Pedestal with Pull-Out Drawer and Laundry Basket	WMZ20460	WMZ20460	
Technical Data			
Supply Voltage	208-240 V	208-240 V	110-120 V
Frequency	60 Hz	60 Hz	60 Hz
Amperage	10 A	10 A	15 A
Heating Wattage	1,350 W	1,350 W	1,800 W
UL Listed	•	•	•
Stackable	•	•	•
Cord Included	•	•	•

W – White



Axxis® Dryer Specifications

Axxis Dryer (condensation)



Efficiency	Quiet Performance	Gentle Care
<ul style="list-style-type: none"> • Condensation Drying System • Electronic Moisture Sensor Monitors the Drying Process to Make Sure the Proper Temperature is Maintained – Preventing Wasted Energy and Overdrying 	<ul style="list-style-type: none"> • 67 dBA Silence Rating 	<ul style="list-style-type: none"> • Snag-Free Structured Stainless Steel Drum • Reverse Tumble Action • Low Heat Option • Easy Ironing Option • Antcrease Feature

Axxis Dryer



Efficiency	Quiet Performance	Gentle Care
<ul style="list-style-type: none"> • Electronic Moisture Sensor Monitors the Drying Process to Make Sure the Proper Temperature is Maintained – Preventing Wasted Energy and Overdrying 	<ul style="list-style-type: none"> • 67 dBA Silence Rating 	<ul style="list-style-type: none"> • Snag-Free Structured Stainless Steel Drum • Reverse Tumble Action • Low Heat Option



Axxis® Dryer (condensation)
WTE86300US

Axxis Dryer
WTV76100US/CN

Model Number

Core Features

Color Options	W	W
Drum Capacity	3.9 cu.ft.	3.9 cu.ft.

Silence Rating

dBA	67 dBA	67 dBA
-----	--------	--------

Cycles

Timed Drying (40 min)	•	•
Wool	•	•
Touch Up	•	•
Short Program	•	•
DUOTRONIC® Auto Dry Cycles – Regular/Cotton	4	4
DUOTRONIC Auto Dry Cycles – Permanent Press	3	3

Optional Settings

Delicates/Low Heat	•	•
Easy Ironing	•	•
Adjustable End-of-Cycle Signal	•	•
Time Remaining Display	•	•
Anticrease Feature (For 35 min After Cycle)	•	•
WRINKLEBLOCK®	Up to 2 hrs	Up to 1 hr
Lint Filter LED Indicator	•	•

Advanced Features

Dry Sensor Control	Fully Electronic Moisture Sensor	Fully Electronic Moisture Sensor
Gentle Heat System	Temperature Sensor	Temperature Sensor
Stainless Steel Drum	•	•
Structured Drum	•	•
Touch Control	•	•
Status Indicators	•	•
Interior Light	•	•

Accessories (Purchased Separately)

Vertical Stacking Kit with Pull-Out Tray	WTZ11300UC	WTZ11300UC
Vertical Stacking Kit without Pull-Out Tray (4 brackets and screws)	WTZ11310UC	WTZ11310UC
11 Pedestal with Pull-Out Drawer and Laundry Basket	WMZ20460	WMZ20460

Technical Data

End Time Delay	•	•
Display	LED	LED
Supply Voltage	208-240 V	208-240 V
Frequency	60 Hz	60 Hz
Amperage	13 A	13 A
UL Listed	•	•
CFM	96 CFM	110 CFM

W – White

Enjoy a variety of premium beverages



Ensures a perfect cup every time
intelligent drink identification via bar code

Fresh brewed coffee, espresso, cappuccino, latte, hot chocolate or tea right away

Flow-through water heater technology with virtually no pre-heat time

Suitable for most cups, (travel) mugs, & glasses
2-step height adjustable & removable cup stand

Easy to grip, transport and fill
Removable XL water tank (67 ounces)

Smart storage solutions
Integrated storage compartment for Service T DISC and power cord

Easy to use
Fully automatic one button operation with integrated LED-user interface

Variable drink strength
Fully automatic brw cycle can be interrupted at any time to adjust drink strength

Easy to clean
Automatic cleaning and de-scaling program

Low energy consumption
Automatically reverts to stand-by mode after every brew cycle

The Perfect Cup Every Time



100% Arabica



Coffee Crema



Cappuccino and Latte



Tea



Espresso



Hot Chocolate

Better Brewing By Design. **TASSIMO** is a brewing system unlike any other. Remarkable in its ability to offer an exceptional combination of quality, convenience, consistency, and versatility—with a little help from today's smart technology. Only TASSIMO offers you a choice of coffee, real milk cappuccinos and lattes, crema, tea and hot chocolate. Each perfectly brewed, fresh by the cup, at the touch of a button. The secret to brewing each cup perfectly is the patented TASSIMO DISC (TDISC) technology. A unique bar code on each TDISC tells the TASSIMO machine how to prepare your chosen beverage using this optimal brew time, temperature, and amount of water. Because the brewing takes place inside the TDISC, you can prepare different drinks, one after another, with no flavor transfer from cup to cup.

TASSIMO offers you more than 40 beverage varieties from 12 distinctive brands



Perfectly brewed Starbucks® coffee, now at the touch of a button.



Coffee Machines



Benvenuto® Gourmet Coffee Machines

With just the push of a button, the fully automatic Benvenuto grinds the beans while the revolutionary **AROMASWIRL®** system extracts the maximum flavor for espresso or coffee you've only tasted from professional baristas in Italian cafés.



Barino® Espresso Pump Machine

Enjoying a sumptuous espresso each morning has never been easier than with the compact, stylish Barino Espresso Pump Machine. This deluxe personal espresso maker features a powerful pump and pressurized coffee filter baskets to take your home espresso experience to a whole new level.



Coffee Grinders

Nothing can match the flavor and aroma of fresh-ground coffee in the morning, and the Stainless Steel blades effortlessly grind your favorite beans to any coarseness you desire. It's also perfect for chopping nuts, milling seeds or grinding fresh spices without losing flavor.

Kitchen Machines



Compact Kitchen Machine

With a quiet motor that delivers 400 Watts of power, our 4-series Compact Kitchen Machine is the perfect prep solution for the busy kitchen. It features a 4-quart mixing bowl, a break-resistant blender and a multitude of accessories to address virtually every preparation need you could imagine.



Universal Plus Kitchen Machine

Our newest generation of kitchen machines offers added power, improved safety features, and updated styling. The 800 Watt motor provides four speeds plus impulse, and all of the machine's components and accessories are dishwasher safe for easy cleaning. Get better cooking results with less effort than ever before.



MIXXO™ Cordless Immersion Blender

With its exclusive lithium ion battery, the lightweight Bosch MIXXO immersion blender is a convenient and easy-to-use addition to your kitchen. Perfect for use at home or on-the-go, its 10,500-rpm motor is powerful enough to crush ice, while the handy LED indicator lets you know how much charge is remaining.

Vacuums



Premium Vacuum

Finally, a vacuum designed for the way people vacuum. Bosch engineers worked for three years, designing and testing each element of the Premium Series vacuums, to not only improve cleaning effectiveness, but also making vacuuming easier, faster and more comfortable. From its cutting-edge filtration to its fingertip controls, the Premium Series is the pinnacle of modern-day vacuum engineering.



Formula® Vacuum

This vacuum filters the air so thoroughly, the air is cleaner when it leaves than when it enters. And it features a variable-speed motor to tackle everything from hardwoods to curtains effortlessly. So not only does it help keep your home spotless, it makes the air fresher and healthier in the process.



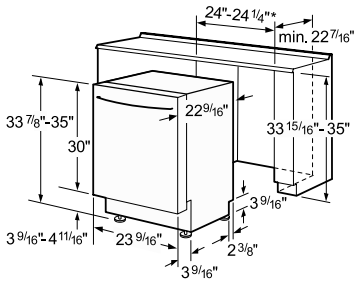
Compact Plus Health Guard Vacuum

This multi-speed vacuum with neatly integrated tools can clean a wide variety of surfaces, from silk curtains to hardwood floors. Its compact, lightweight and sturdy design allows for easy storage and maneuverability. The large, self-sealing dust bag means fewer bag changes for you, and an exceptional HEPA active filtration system leaves your home cleaner and healthier.

Dishwashers

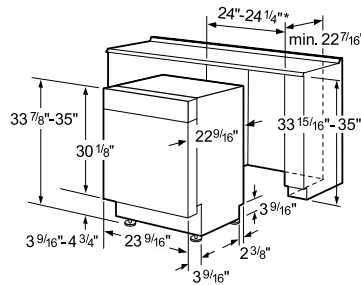
Dimensions and Installation

SHX Models



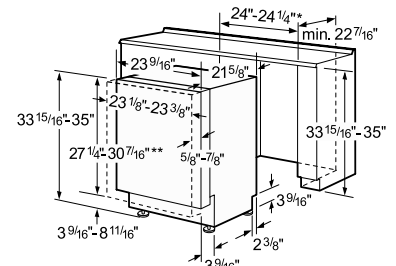
*23 5/8" without decor strips

SHE Models



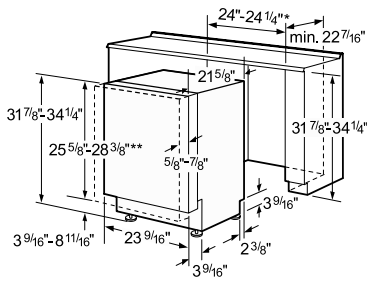
*23 5/8" without decor strips

SHV Models



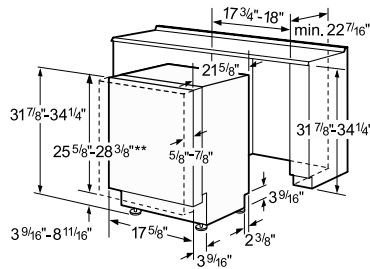
*23 5/8" without decor strips
**Measured from the bottom edge of the worktop
Recommended panel thickness 3/4"
Panel weight 9-18 lb

SGV Models



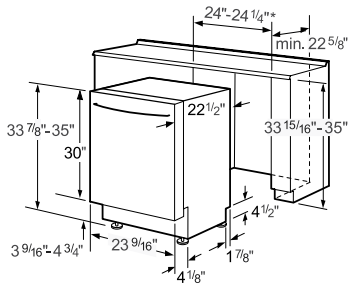
*24" without decor strips
**measured from the bottom edge of the countertop panel thickness recommended 3/4"

SRV Models



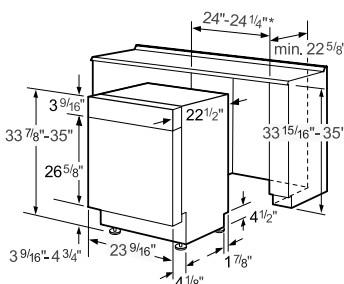
**measured from the bottom edge of the countertop panel thickness recommended 3/4"

Ascenta SHX Models



*23 5/8" without decor strips

Ascenta SHE Models



*23 5/8" without decor strips

IMPORTANT

SHX/SHE and Ascenta™ models do not accept custom panels.

SHV/SRV models are not supplied with handles.

SGV models do not require SGZ3022 Accessory Hinge.

SRV models require SGZ3022 Accessory Hinge for custom panel installation at U.S. countertop height.

Dimensions are for planning only. For details, see installation manual, or visit www.boschappliances.com. Specifications to change without notice.

Upper Clearance: Leave 1/8" to 1/4" of space between the countertop and the dishwasher

Cabinet Opening Dimensions

SHX/SHE/SHV – 24" TallTub Dishwashers:

Width: 24" to 24-1/4" (23-5/8" with décor strips removed)
Height: 33-15/16" to 35"
Depth: 22-7/16"

SRV – 18" EuroTub Dishwashers:

Width: 17-3/4" to 18"
Height: 31-7/8" to 34-1/4"
Depth: 22-7/16"

SGV – 24" EuroTub Dishwashers:

Width: 24" to 24-1/4"
Height: 31-7/8" to 34-1/4"
Depth: 22-7/16"

Ascenta Dishwashers:

Width: 24" to 24-1/4" (23-5/8" with décor strips removed)
Height: 33-15/16" to 35"
Depth: 22-5/8"

Custom Panel Dimensions

SHV – 24" TallTub Dishwashers:

Panel Width: 23-1/8" to 23-3/8"
Panel Height: 27-1/4" to 30-7/16"
Panel Thickness: 5/8" to 7/8"
Panel Weight: 9 to 18 lbs

SRV – 18" EuroTub Dishwashers:

Recommended Width: 17-5/8"
Recommended Door Height: 25-5/8" to 28-3/8"
Panel Thickness: 5/8" to 7/8"
Panel Weight: Min. 5.5 lbs to Max. 16.5 lbs

SGV – 24" EuroTub Dishwashers:

Recommended Width: 23-9/16"
Recommended Door Height: 25-5/8" to 28-3/8"
Panel Thickness: 5/8" to 7/8"
Panel Weight: Min. 9 lbs to Max. 18 lbs

Accessories



SGZ1000UC

Extra-Large Knife Rack

By loading long-handled items horizontally, you prevent chipping and scratching, while keeping knives in a safer position, out of unwanted reach.



SGZ2004UC

Glass Rack Insert

The extra space of the glass rack insert allows you to load additional stemware or drinking glasses, saving the upper rack for a more efficient configuration of dishes. (Can only be used in the platinum premium and platinum mid lower racks.)



SGZ3003

Anti-Tarnish Silverware Cassette

This specially designed cassette provides the best wash results and protection for your fine silverware.



SRZ2045UC

Stainless Steel Door

This high-quality stainless steel door provides an attractive and contemporary finish for the Integra® 18" model SRV53C03UC (SRZ2045UC) and 24" model SGV45E03UC (SGZ2055UC).

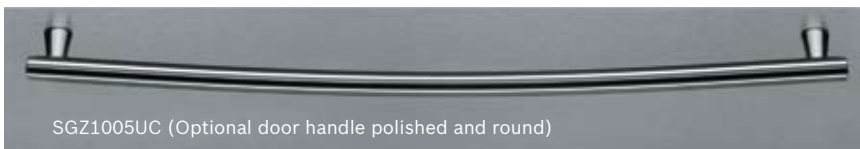


SMZ5000

Dishwasher Accessory Kit

This all-in-one bundle includes the extra tall item sprinkler, vase/bottle holder, 3 plastic item clips and a small item basket.

Integra/Evolution	SGZ1051
Ascenta	SMZ5000



SGZ1005UC (Optional door handle polished and round)



SGZ1006UC (Optional door handle flat and matte)

Accessories

Model Number

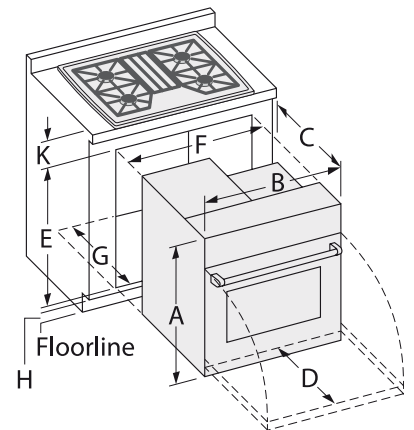
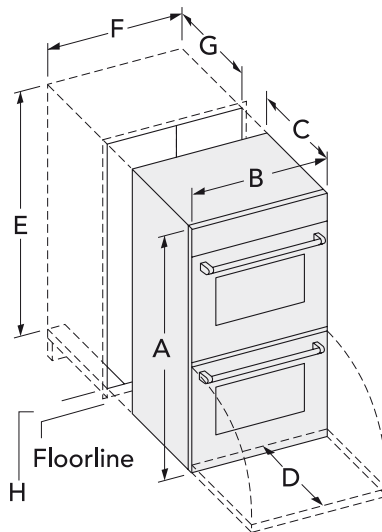
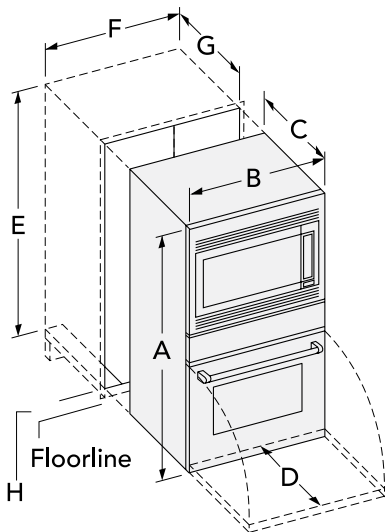
Extra-Large Knife Rack	SGZ1000UC
Stainless Steel Door with Stainless Steel Handle (SHV series only)	SGZ1005UC
Handle Matches Discontinued HBL/N 600 Series Ovens	
Stainless Steel Door with Stainless Steel Handle (SHV series only)	SGZ1006UC
Handle Matches HBL/N 500 & 800 Series Ovens	
Stainless Steel Handle (SHV series only)	SGZ1007UC
Matches HBL/N 500 & 800 Series Ovens	
Dishwasher Accessory Kit (Integra and Evolution only)	SGZ1051
Dishwasher Supply and Drainage Hose Extension	SGZ1010UC
Glass Rack Insert for Bottom Racks (max. height 13.5)	SGZ2004UC
Can be used in Premium and Mid Lower Racks only	
Stainless Steel Door Accessory (SRV series only)	SRZ2045UC
With Accessory Hinge Kit	
Stainless Steel Door Accessory (SGV series only)	SGZ2055UC
Anti-Tarnish Silverware Cassette	SGZ3003
Accessory Hinge Kit (SRV series only)	SGZ3022
For US Counter Height Installation	
Dishwasher Power Cord with Connectors	SGZPC001UC
Dishwasher Accessory Kit (Ascenta only)	SMZ5000

Ovens

Dimensions and Installation

HBL/HBN Models

Installation	30" Combination	30" Double	30" Single	27" Double	27" Single
A	50"	51 3/4"	29 1/16"	51 3/4"	29 1/16"
B	29 3/4"	29 3/4"	29 3/4"	26 3/4"	26 3/4"
C	23 7/8"	23 7/8"	23 7/8"	23 7/8"	23 7/8"
D	22"	22"	22"	22"	22"
Door Handle Projection	3"	3"	3"	3"	3"
E	49 1/2"	51 1/8"	28 1/4"	51 1/8"	28 1/4"
F	28 1/2"	28 1/2"	28 1/2"	25 1/2"	25 1/2"
G	24"	24"	24"	24"	24"
H	4 3/4" minimum	4 3/4" minimum	4 3/4" minimum	4 3/4" minimum	4 3/4" minimum
K	n/a	n/a	3"	n/a	3"

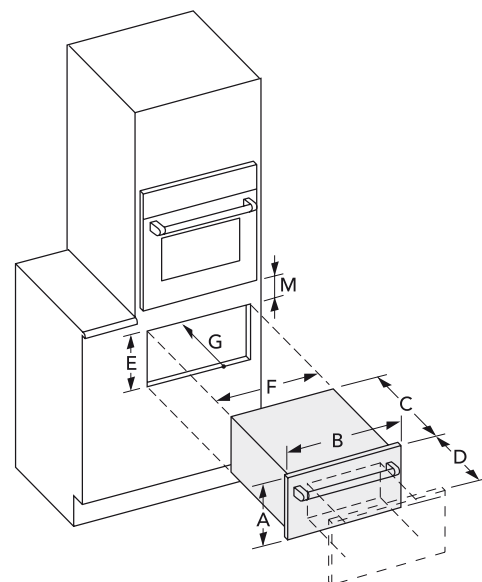


Warming Drawers

Dimensions and Installation

HWC/HWD Models

Installation	HWC	HWD 30"	HWD 27"
A	11 1/4"	11 1/4"	11 1/4"
B	29 3/4"	29 3/4"	26 3/4"
C	22 1/2"	22 1/4"	22 1/4"
D	22"	20 1/2"	20 1/2"
E	10"	10 7/8"	10 7/8"
F	28 1/2"	28 3/8"	25 3/8"
G	24"	24"	24"
M	1" minimum	1/2" minimum	1/2" minimum

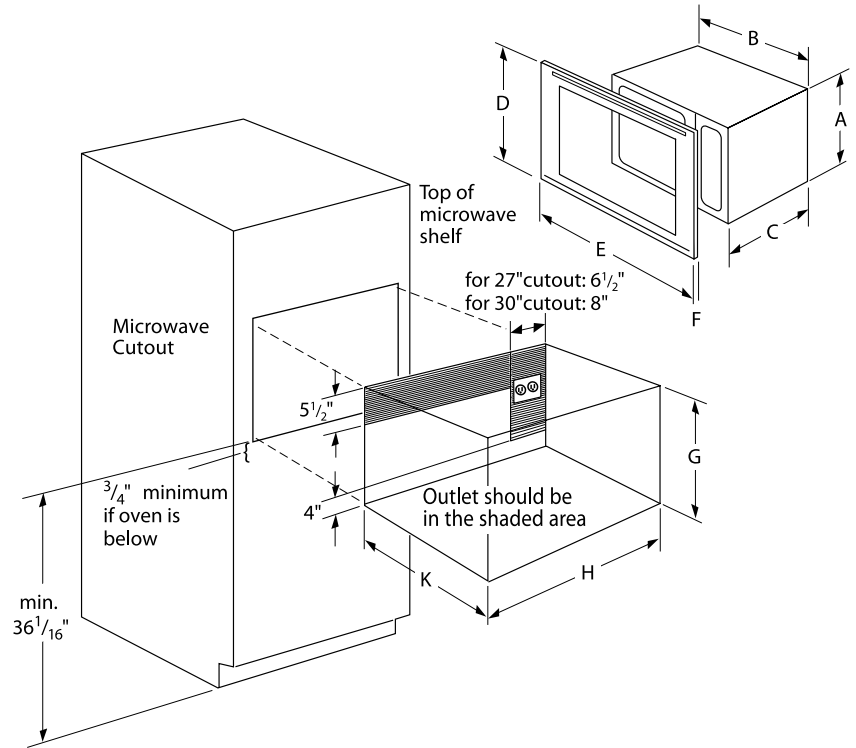


Microwaves

Dimensions and Installation

HMB Models

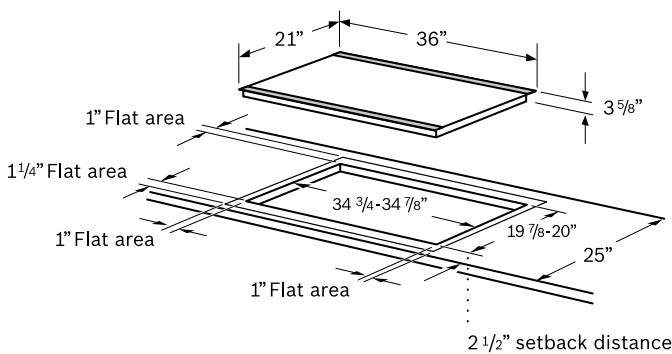
Installation	HMB80x0	HMB50x0
A	14 13/16"	14"
B	23 7/8"	23 7/8"
C	19 5/16"	19 7/16"
D	20 1/2"	20 1/2"
E for 27" Trim Kit	26 3/4"	26 3/4"
E for 30" Trim Kit	29 3/4"	29 3/4"
F	1 1/2"	1 1/2"
G	19 7/8"	19 7/8"
H for 27" Trim Kit	25 7/16"	25 7/16"
H for 30" Trim Kit	28 7/16"	28 7/16"
K	21"	21"



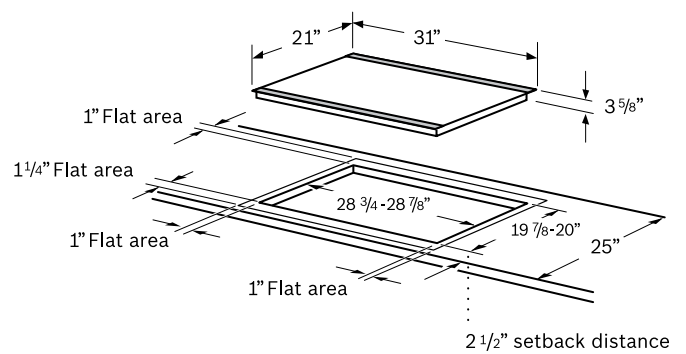
Induction Cooktops

Dimensions and Installation

NIT Models - 36"



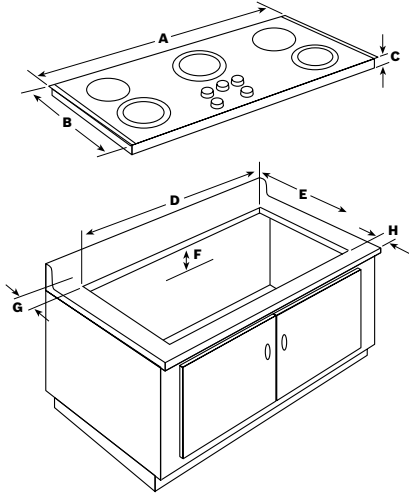
NIT Models - 30"



Gas and Electric Cooktops

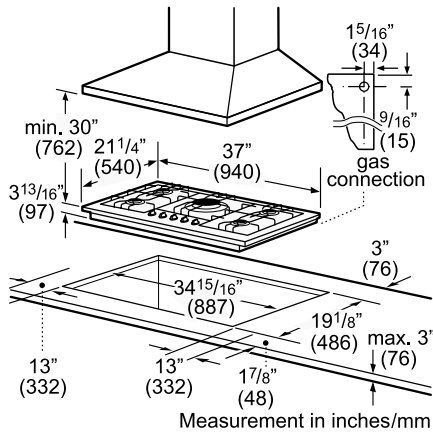
Dimensions and Installation

NET/NEM Models - Electric



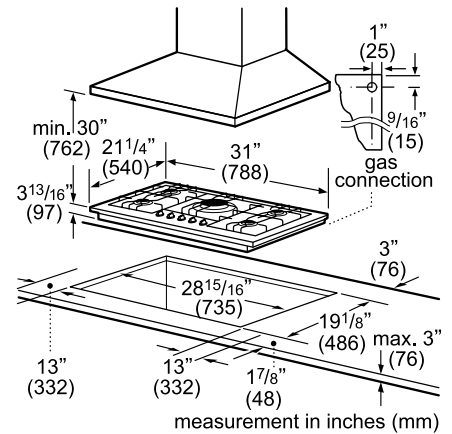
Installation	36"	30"
A	36 3/4"	30 3/4"
B	21"	21"
C	3 1/2"	3 1/2"
D	34 3/4" - 34 7/8"	28 3/4" - 28 7/8"
E	19 7/8" - 20"	19 7/8" - 20"
F	3 1/2"	3 1/2"
G	2"	2"
H	2 1/2"	2 1/2"

NGM Models - Gas 36"



Measurement in inches/mm

NGM Models - Gas 30"

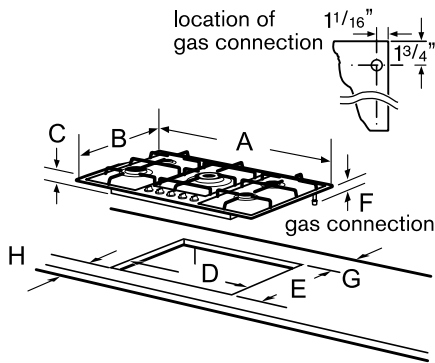


measurement in inches (mm)

Ventilation

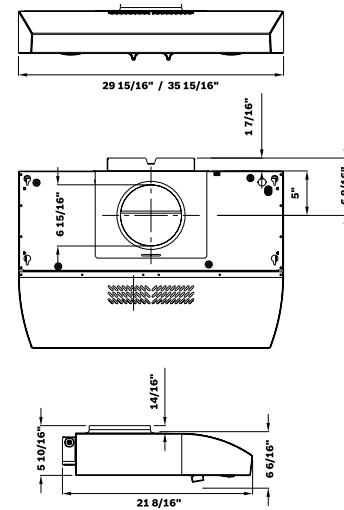
Dimensions and Installation

PGL/PCK Models - Gas

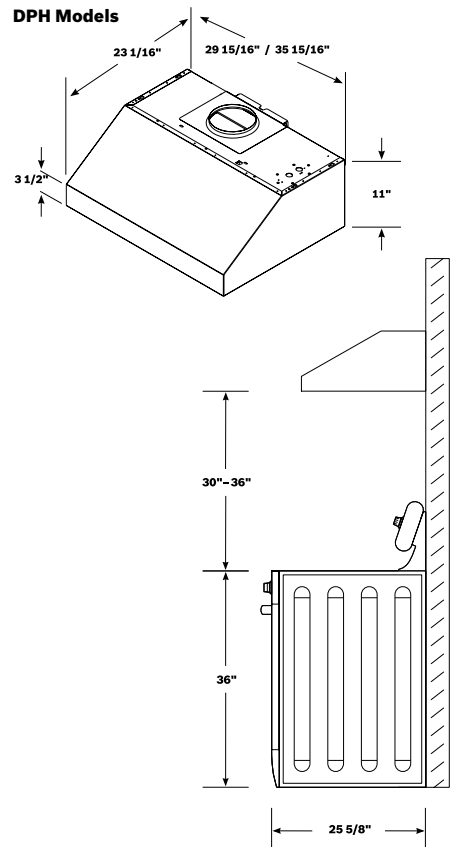


Installation	PGL 36"	PCK 30"
A	36"	30"
B	20 1/2"	20 1/2"
C	2 3/8"	2 1/4"
D	33 1/2"	22"
E	19 3/8"	19 3/8"
F	2 3/8"	2 1/4"
G	2"	2"
H	1 1/2"	1 1/2"
Overall Width	36"	30"

DUH Models



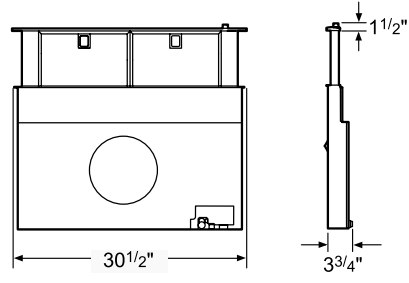
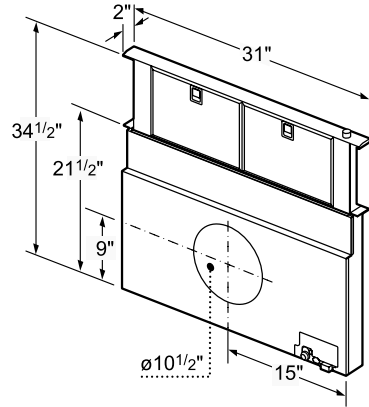
DPH Models



Ventilation

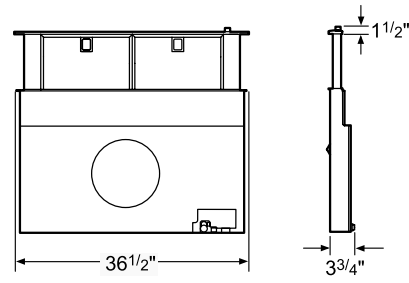
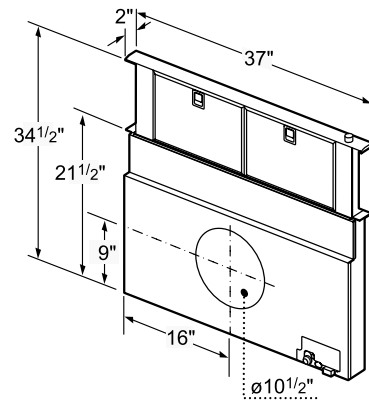
Dimensions and Installation

DHD Models - 36"



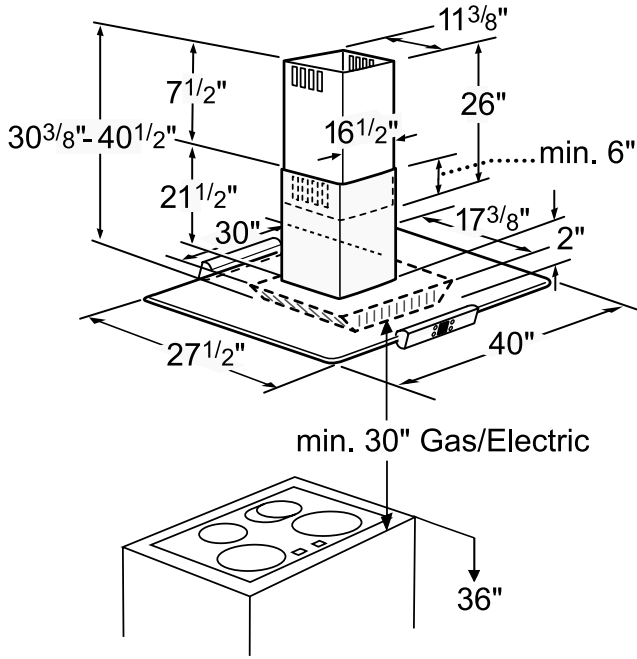
Measurements in inches

DHD Models - 30"

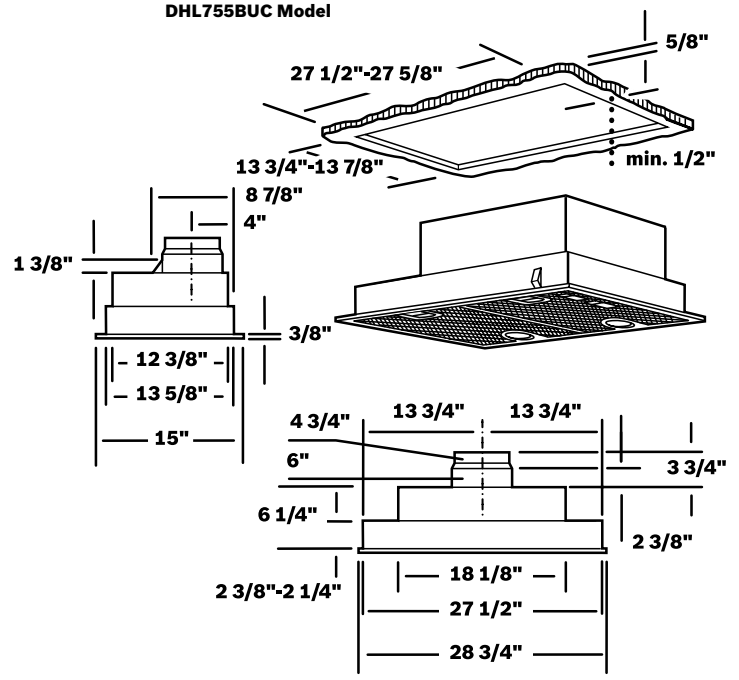


Measurements in inches

DIE165RUC Model



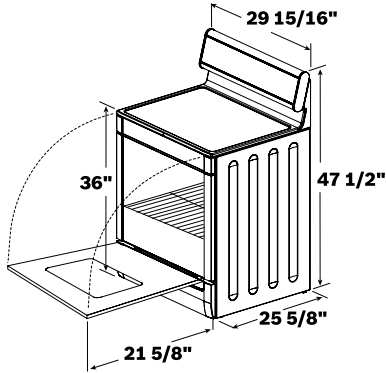
DHL755BUC Model



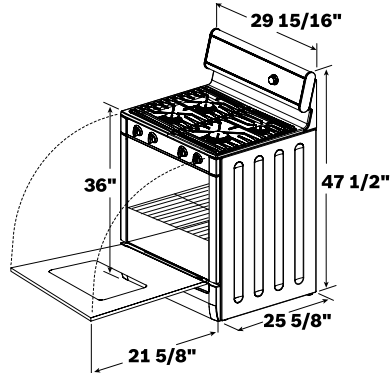
Ranges

Dimensions and Installation

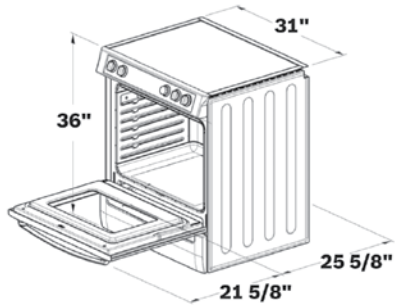
HES Models - Evolution™ Electric



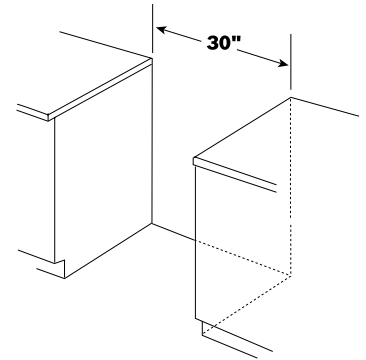
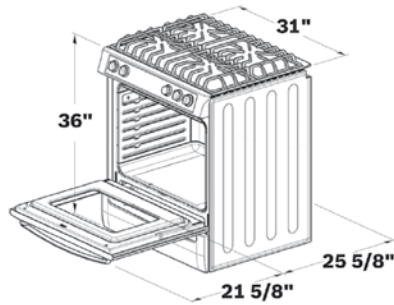
HGS/HDS Models - Evolution Gas & Dual-Fuel



HEI Models - Integra™ Electric



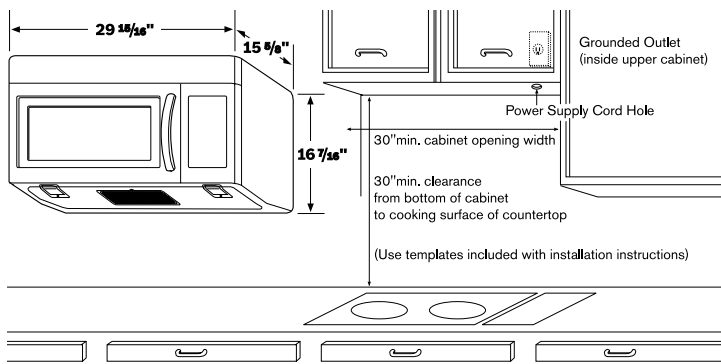
HDI Models - Integra Dual-Fuel



Over-the-Range Microwaves

Dimensions and Installation

HMV Models

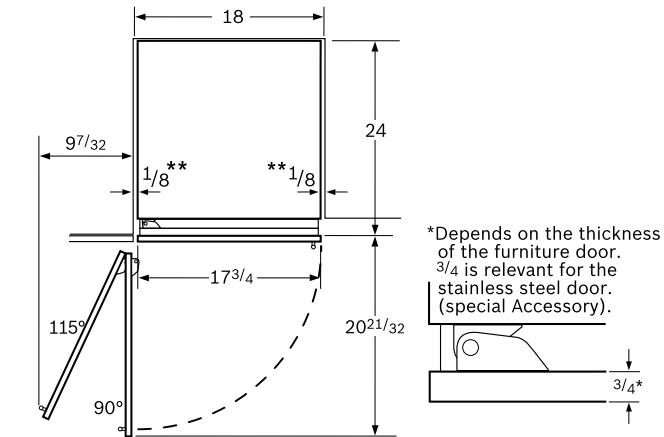


Installation	HMV
Overall Width	29 15/16"
Overall Height	16 7/16"
Overall Depth	15 5/8"

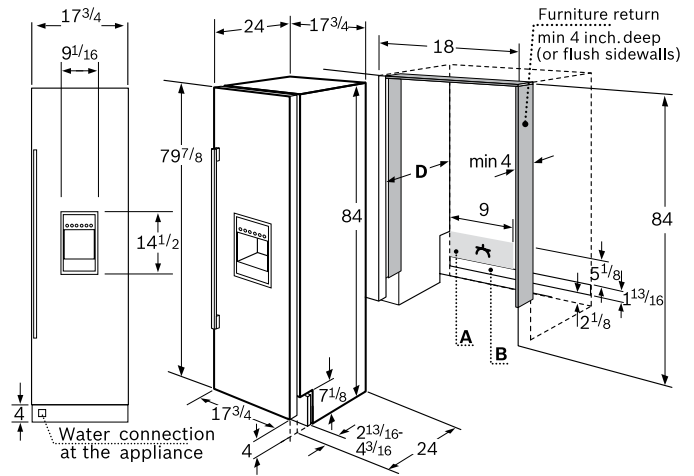
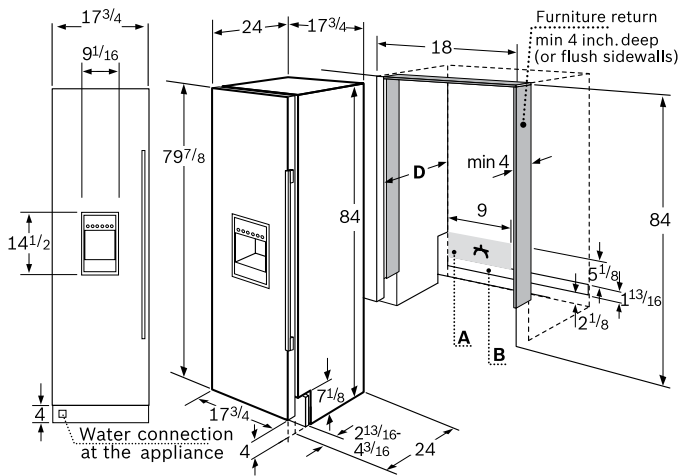
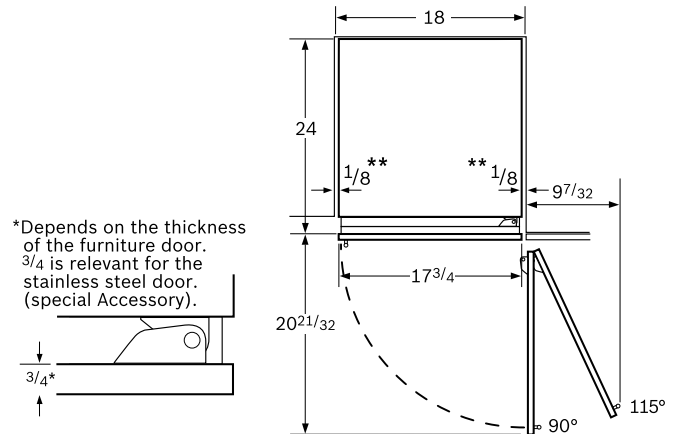
Integra® Refrigeration – Freezers with Dispensers

Dimensions and Installation

**B18ID80NLP/B18ID80SLS Models –
18" Freezer with Dispenser (Left door swing)**



**B18ID80NRP/B18ID80SRS Models –
18" Freezer with Dispenser (Right door swing)**



Note: The cutout for the dispenser unit must be horizontally and vertically aligned (centered).

Note: The cutout for the dispenser unit must be horizontally and vertically aligned (centered).

A: Area for installation of power connection.

B: Area for running the water line. It is recommended that the water-box is placed adjacent to the installation cavity, so that it can be accessed for service without uninstalling the appliance. If this is not possible, place the recessed water-box adjacent to the water supply socket elevated at the heights as referenced in areas A and B.

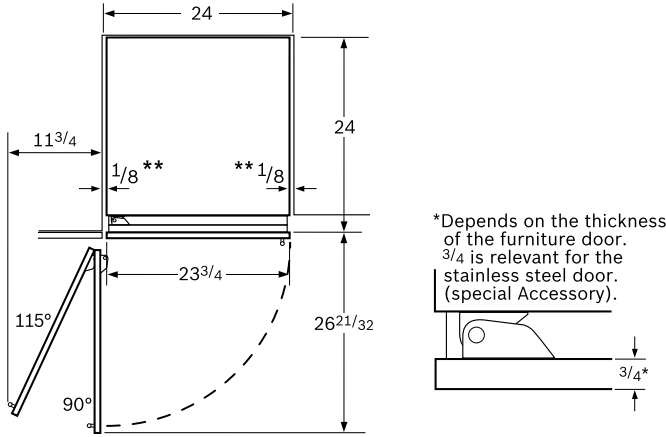
D: Niche depth depends on kitchen design. For a flush installation, the depth needs to be at least 24 inches plus the thickness of the door panel.

Panel dimensions based on a standard 1/8 inch reveal and 4 inch toe kick. Custom panel dimensions may vary depending on kitchen reveals and toe kick.

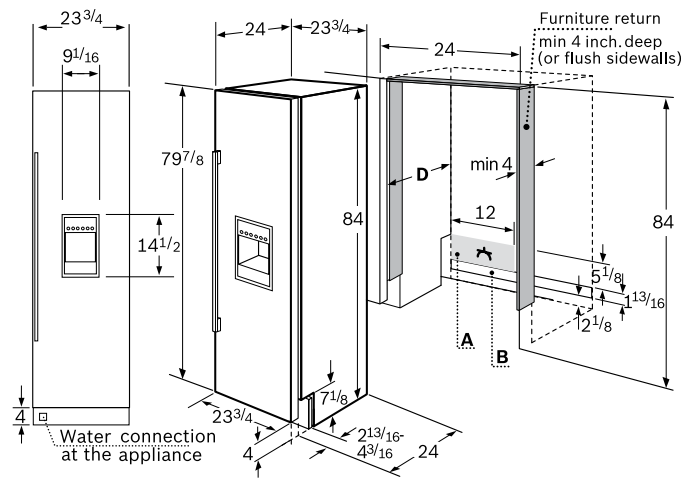
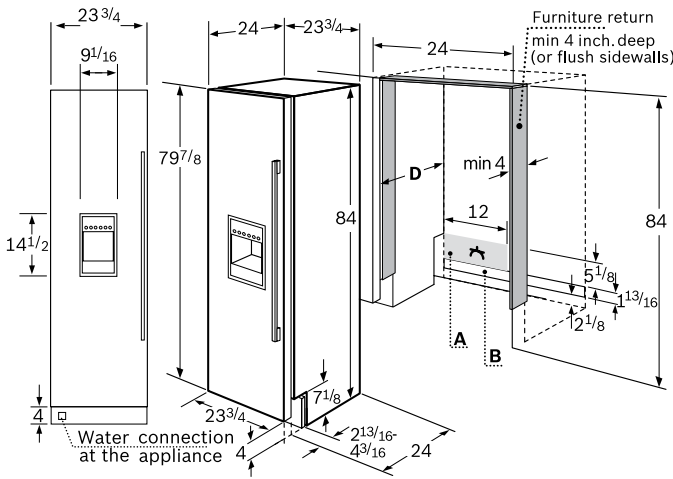
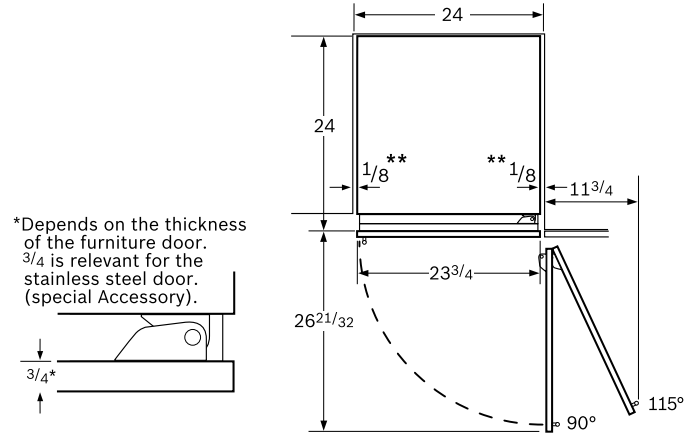
Stainless Steel models contain a panel-ready base unit, ready-to-install Stainless Steel door(s) with a right or left door swing and handle(s).

**Required space for finger guard.
Measurements in inches.

**B24ID80NLP/B24ID80SLS Models -
24" Freezer with Dispenser (Left door swing)**



**B24ID80NRP/B24ID80SRS Models -
24" Freezer with Dispenser (Right door swing)**



Note: The cutout for the dispenser unit must be horizontally and vertically aligned (centered).

Note: The cutout for the dispenser unit must be horizontally and vertically aligned (centered).

A: Area for installation of power connection.

B: Area for running the water line. It is recommended that the water-box is placed adjacent to the installation cavity, so that it can be accessed for service without uninstalling the appliance. If this is not possible, place the recessed water-box adjacent to the water supply socket elevated at the heights as referenced in areas A and B.

D: Niche depth depends on kitchen design. For a flush installation, the depth needs to be at least 24 inches plus the thickness of the door panel.

Panel dimensions based on a standard 1/8 inch reveal and 4 inch toe kick. Custom panel dimensions may vary depending on kitchen reveals and toe kick.

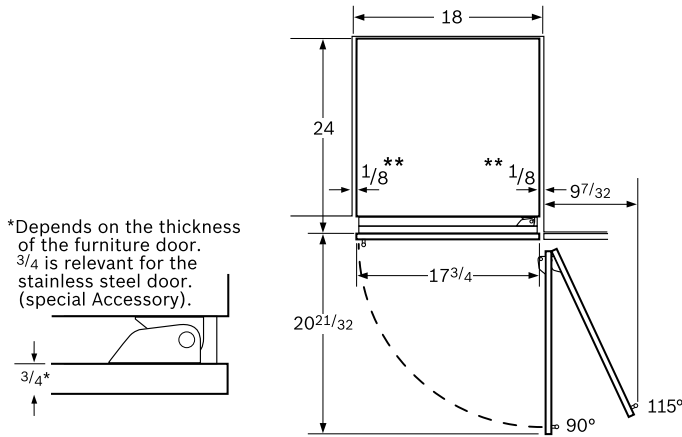
Stainless Steel models contain a panel-ready base unit, ready-to-install Stainless Steel door(s) with a right or left door swing and handle(s).

**Required space for finger guard.
Measurements in inches.

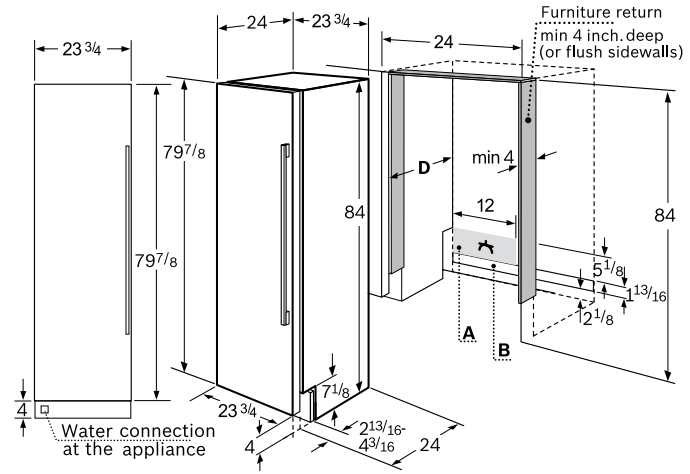
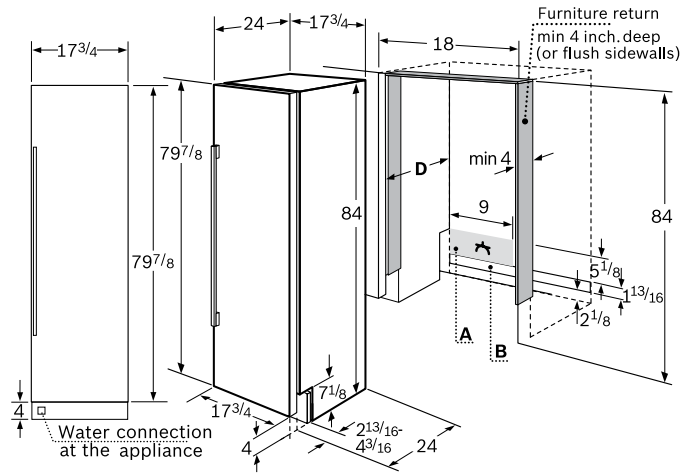
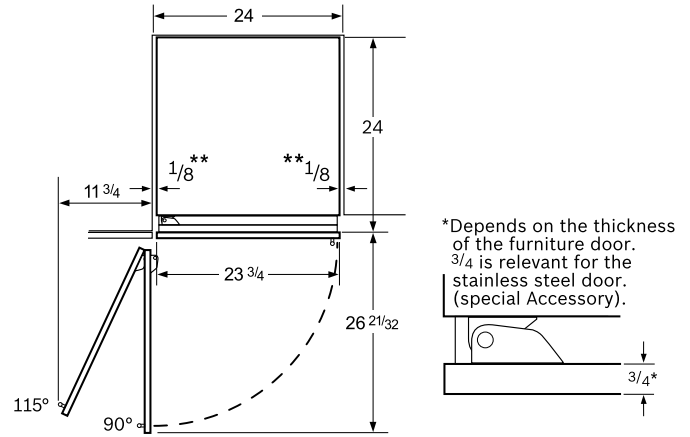
Integra® Refrigeration – Freezers

Dimensions and Installation

B18IF70NSP/B18IF70SRS/B18IF70SLS Models – 18" Freezer (Right or Left door swing)



B24IF70NSP/B24IF70SRS/B24IF70SLS Models – 24" Freezer (Right or Left door swing)



A: Area for installation of power connection.

B: Area for running the water line. It is recommended that the water-box is placed adjacent to the installation cavity, so that it can be accessed for service without uninstalling the appliance. If this is not possible, place the recessed water-box adjacent to the water supply socket elevated at the heights as referenced in areas A and B.

D: Niche depth depends on kitchen design. For a flush installation, the depth needs to be at least 24 inches plus the thickness of the door panel.

Panel dimensions based on a standard $\frac{1}{8}$ inch reveal and 4 inch toe kick. Custom panel dimensions may vary depending on kitchen reveals and toe kick.

Stainless Steel models contain a panel-ready base unit, ready-to-install Stainless Steel door(s) with a right or left door swing and handle(s).

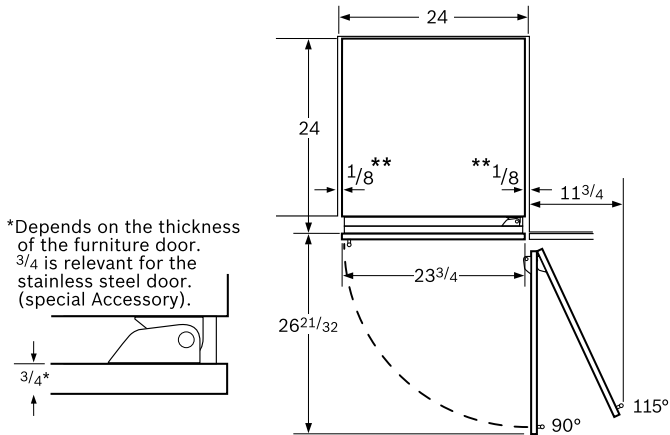
**Required space for finger guard.

Measurements in inches.

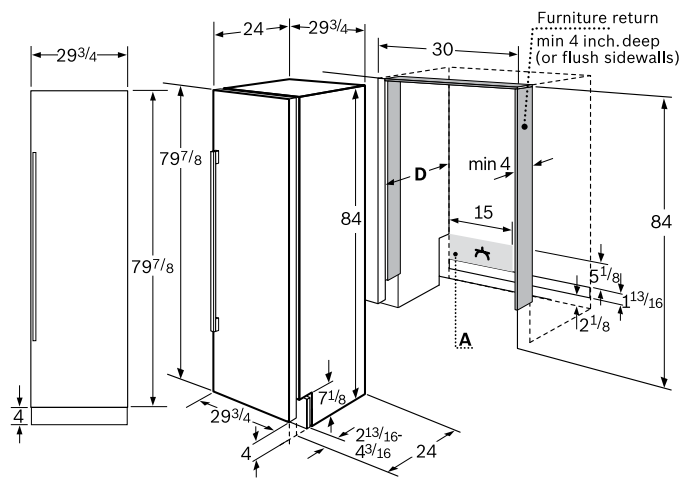
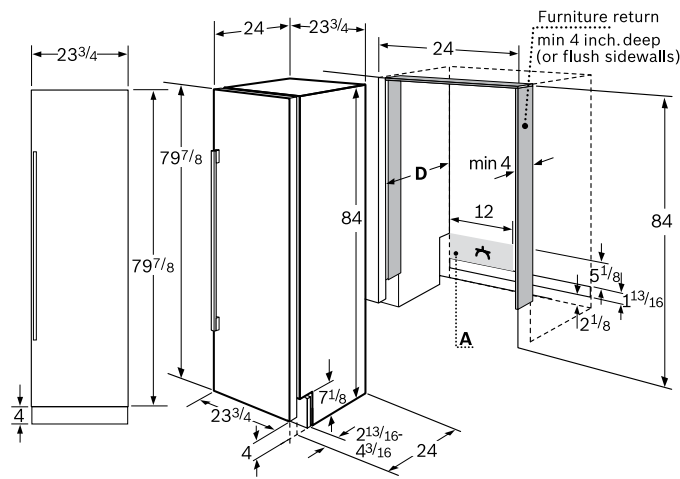
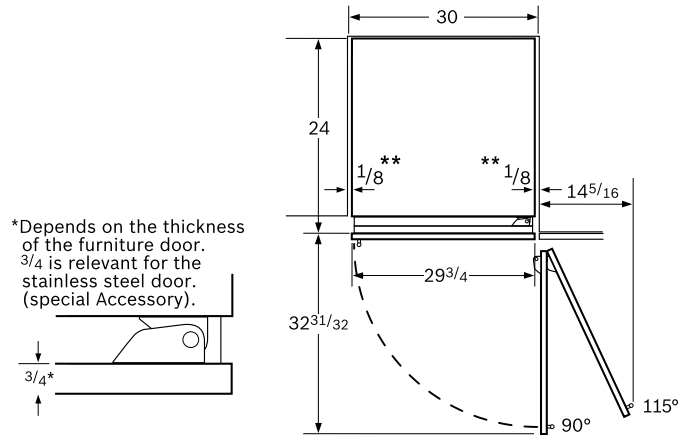
Integra® Refrigeration – Refrigerators and Wine Coolers

Dimensions and Installation

B24IR70NSP/B24IR70SR5/B24IR70SLS Models – 24" Refrigerator (Right or Left door swing)



B30IR70NSP/B30IR70SR5/B30IR70SLS Models – 30" Refrigerator (Right or Left door swing)



A: Area for installation of power connection.

D: Niche depth depends on kitchen design. For a flush installation, the depth needs to be at least 24 inches plus the thickness of the door panel.

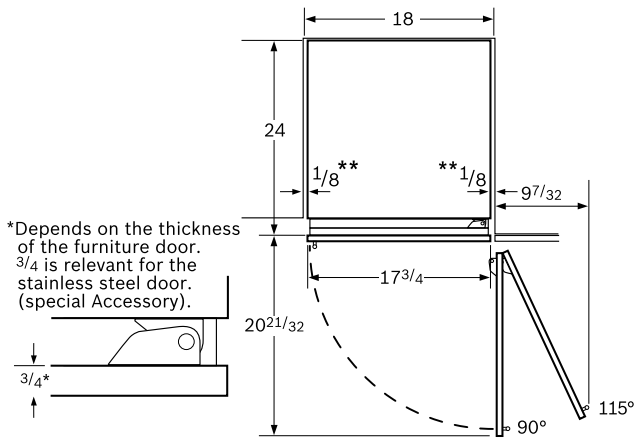
Panel dimensions based on a standard 1/8 inch reveal and 4 inch toe kick. Custom panel dimensions may vary depending on kitchen reveals and toe kick.

Stainless Steel models contain a panel-ready base unit, ready-to-install Stainless Steel door(s) with a right or left door swing and handle(s).

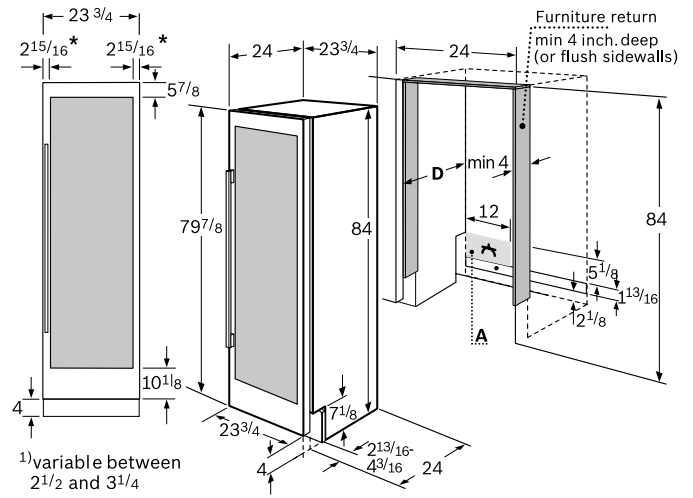
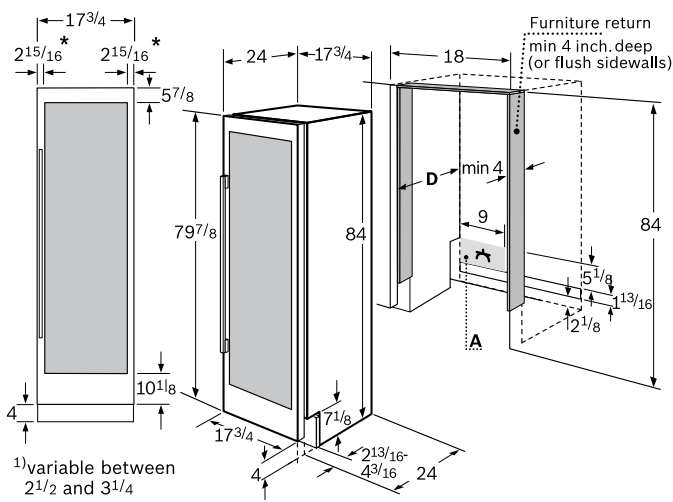
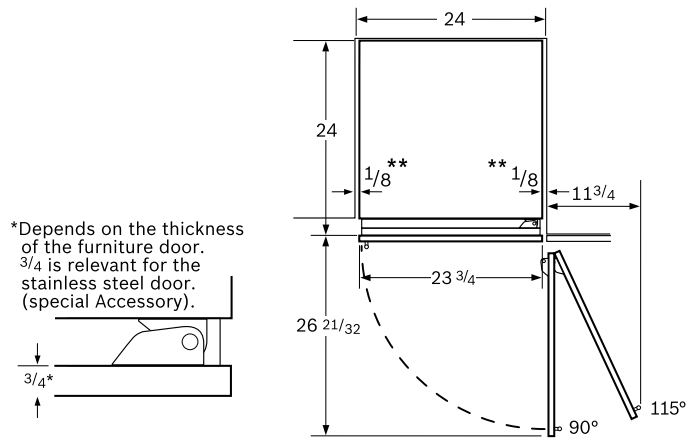
**Required space for finger guard.

Measurements in inches.

**B18IW50NSP/B18IW50SRS/B18IW50SLs Models -
18" Wine Cooler (Right or Left door swing)**



**B24IW50NSP/B24IW50SRS/B24IW50SLs Models -
24" Wine Cooler (Right or Left door swing)**



Note: The width of the two lateral flanges of the frame-like door panel for wine coolers can vary between 2 1/2 and 3 1/4. However 2 15/16 is recommended.

Note: The width of the two lateral flanges of the frame-like door panel for wine coolers can vary between 2 1/2 and 3 1/4. However 2 15/16 is recommended.

A: Area for installation of power connection.

D: Niche depth depends on kitchen design. For a flush installation, the depth needs to be at least 24 inches plus the thickness of the door panel.

Panel dimensions based on a standard 1/8 inch reveal and 4 inch toe kick. Custom panel dimensions may vary depending on kitchen reveals and toe kick.

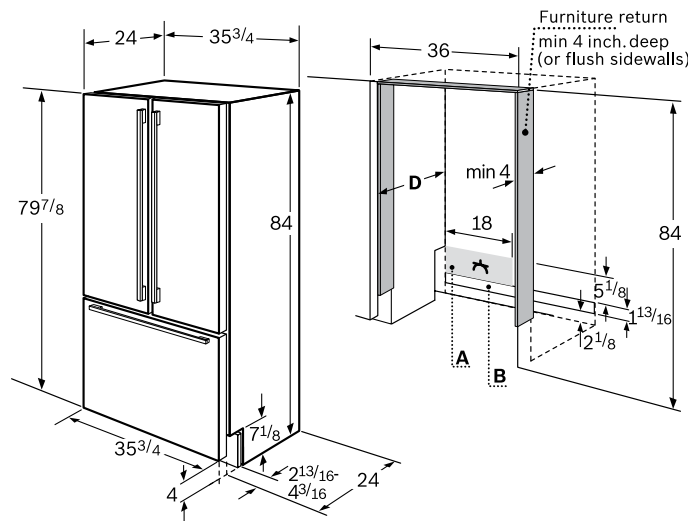
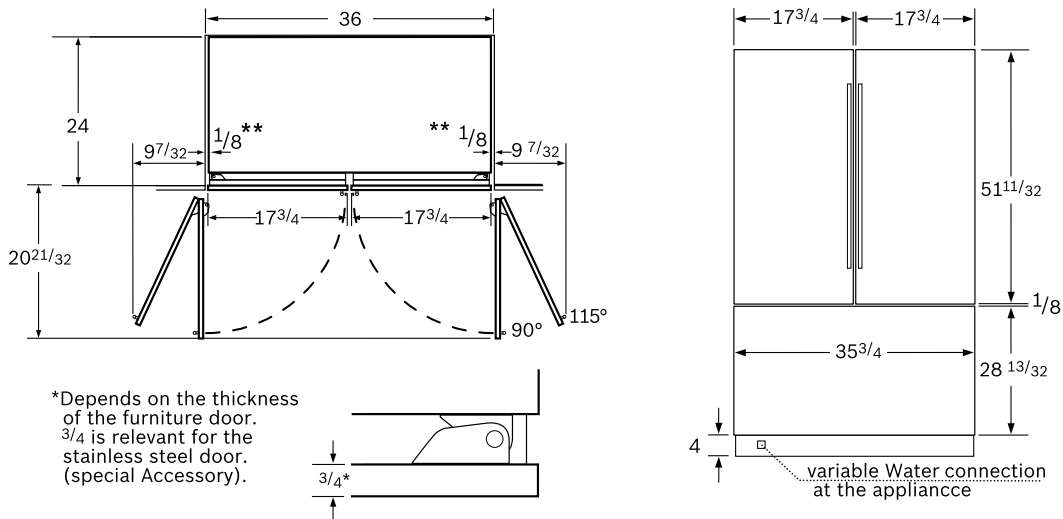
Stainless Steel models contain a panel-ready base unit, ready-to-install Stainless Steel door(s) with a right or left door swing and handle(s).

**Required space for finger guard.
Measurements in inches.

Integra® Refrigeration – Bottom-Freezers

Dimensions and Installation

B36I70NNP/B36I70SNS Models – 36" 3-Door Bottom-Freezer



A: Area for installation of power connection.

B: Area for running the water line. It is recommended that the water-box is placed adjacent to the installation cavity, so that it can be accessed for service without uninstalling the appliance. If this is not possible, place the recessed water-box adjacent to the water supply socket elevated at the heights as referenced in areas A and B.

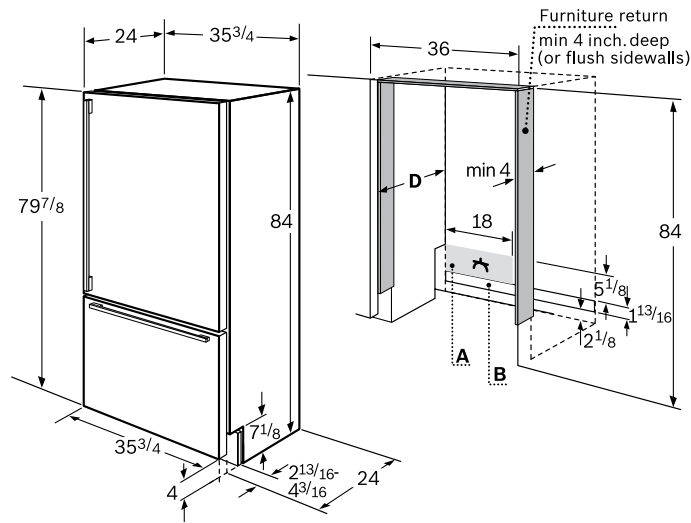
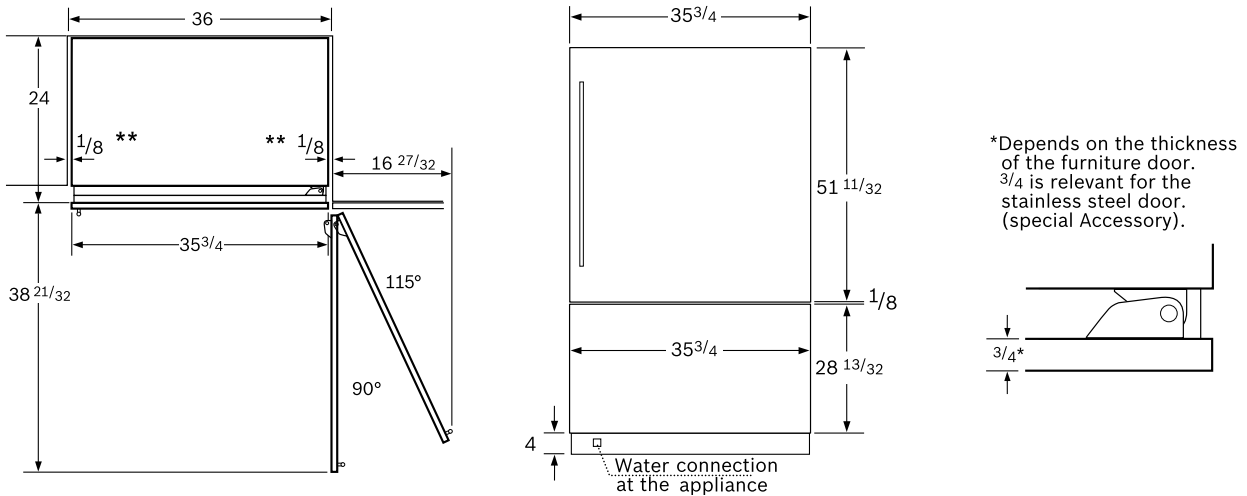
D: Niche depth depends on kitchen design. For a flush installation, the depth needs to be at least 24 inches plus the thickness of the door panel.

Panel dimensions based on a standard 1/8 inch reveal and 4 inch toe kick. Custom panel dimensions may vary depending on kitchen reveals and toe kick.

Stainless Steel models contain a panel-ready base unit, ready-to-install Stainless Steel door(s) with a right or left door swing and handle(s).

**Required space for finger guard.
Measurements in inches.

**B36IB70NSP/B36IB70SRS/B36IB70SLS Models -
36" 2-Door Bottom-Freezer**



A: Area for installation of power connection.

B: Area for running the water line. It is recommended that the water-box is placed adjacent to the installation cavity, so that it can be accessed for service without uninstalling the appliance. If this is not possible, place the recessed water-box adjacent to the water supply socket elevated at the heights as referenced in areas A and B.

D: Niche depth depends on kitchen design. For a flush installation, the depth needs to be at least 24 inches plus the thickness of the door panel.

Panel dimensions based on a standard 1/8 inch reveal and 4 inch toe kick. Custom panel dimensions may vary depending on kitchen reveals and toe kick.

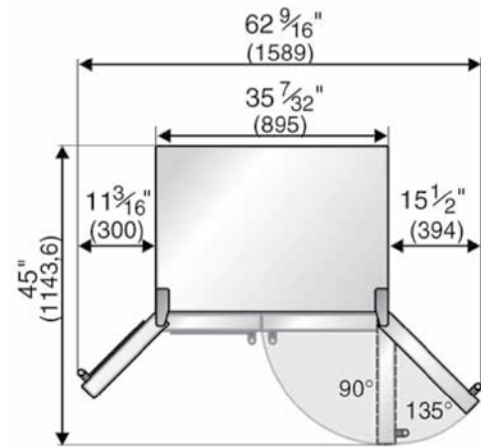
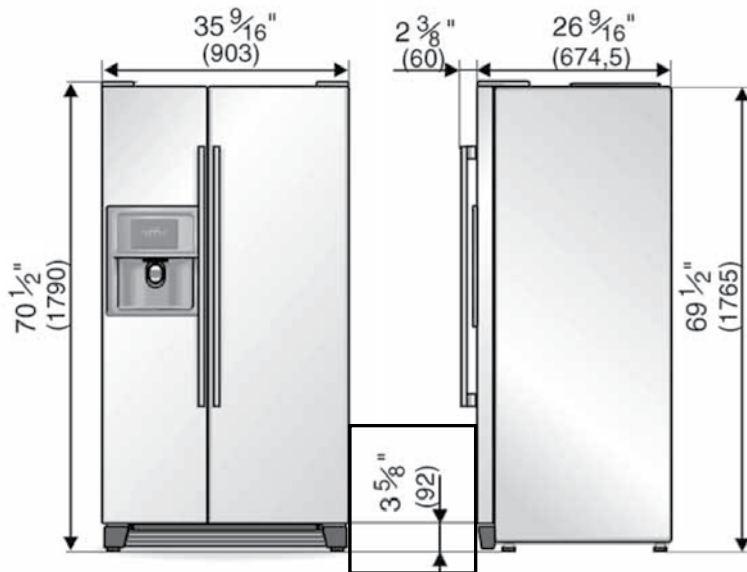
Stainless Steel models contain a panel-ready base unit, ready-to-install Stainless Steel door(s) with a right or left door swing and handle(s).

**Required space for finger guard.
Measurements in inches.

Evolution® Refrigeration

Dimensions and Installation

B20CS81SNx/B20CS51SNx Models



Dimensions Cabinets

	B20CS81SNx	B20CS51SNx
Height	70 1/2	70 1/2
Width	35 9/16	35 9/16
Depth	23 13/16	23 13/16

Dimensions with Doors

Height	70 1/2	70 1/2
Width	35 9/16	35 9/16
Depth	26 9/16	26 9/16

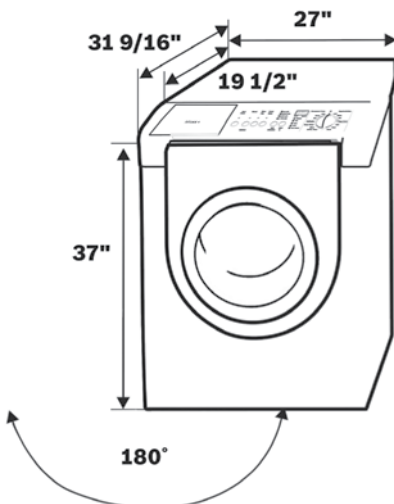
Dimensions with Doors and Handles

Height	70 1/2	70 1/2
Width	35 9/16	35 9/16
Depth	28 15/16	28 15/16

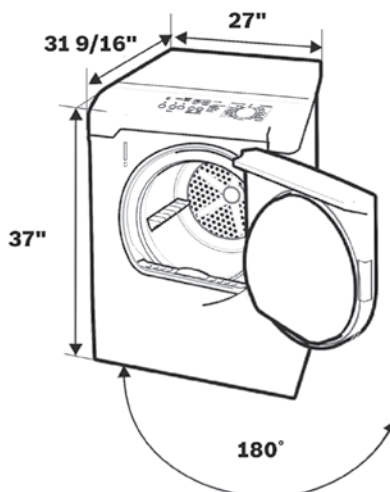
Laundry

Dimensions and Installation

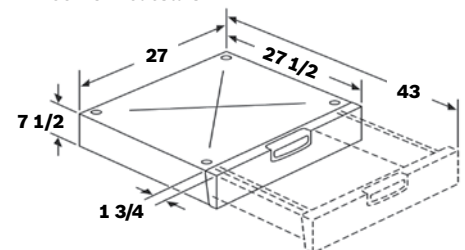
WFMC - Nexxt® Washers



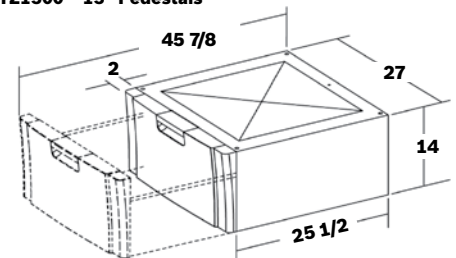
WTMC - Nexxt Dryers



WTZ1295 - 8" Pedestals



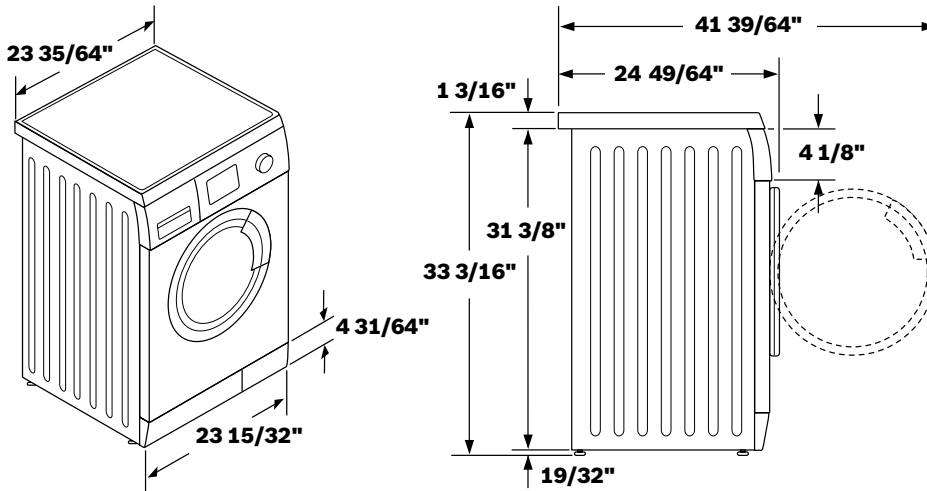
WTZ1500 - 15" Pedestals



Laundry

Dimensions and Installation

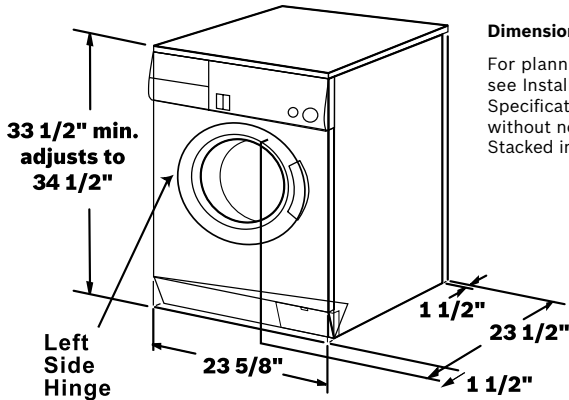
WAS - Axxis® Washers



Dimensions for WAS24460UC and WAS20160UC

For planning only. For details, see Installation Manual. Specifications subject to change without notice. UL listed. Stacked installation height approx. $67 \frac{4}{16}$ ".

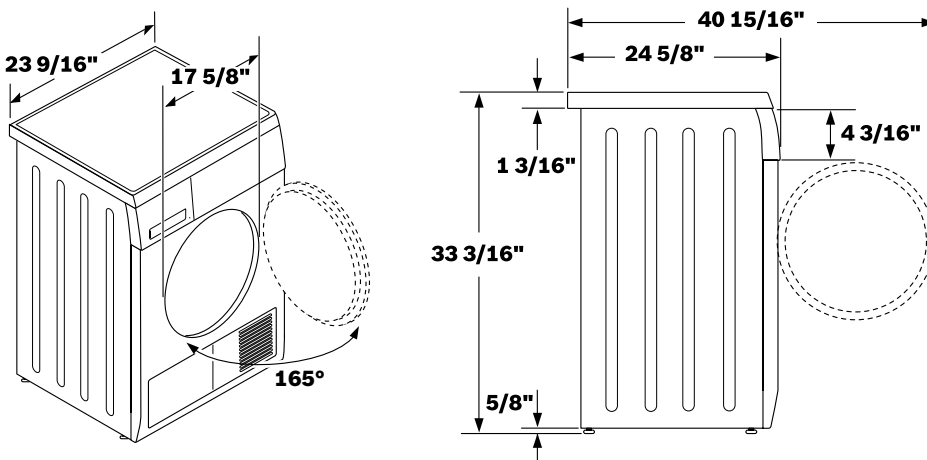
WFL - Axxis Washers



Dimensions for WFL2090UC

For planning only. For details, see Installation Manual. Specifications subject to change without notice. UL listed. Stacked installation height approx. $67 \frac{4}{16}$ ".

WTE/WTV - Axxis Dryers



Dimensions for WTE86300US (condensation dryer - no ducting required) and WTV76100US

For planning only. For details, see Installation Manual. Specifications subject to change without notice. UL and CUL listed. Stacked installation height approx. $67 \frac{4}{16}$ " (with WTZ11300UC or WTZ11310UC stacking kits: approx. $68 \frac{13}{16}$ "). Depth including door is $25 \frac{13}{16}$ ".

Bosch home appliances

5551 McFadden Avenue
Huntington Beach, CA 92649
1.800.944.2904
www.boschappliances.com

Bosch home appliances Canada

5800 Explorer Drive, Suite 310
Mississauga, Ontario, L4W 5K9
1.775.833.3600
www.bosch-appliances.ca

©2008 BSH Home Appliances Corporation. ©2008 BSH Home Appliances Ltd. All rights reserved. Bosch is a registered trademark of Robert Bosch GmbH.

All information presented herein is based on data available at the time of printing and is subject to change without notice.

For immediate installation dimensions by fax, use your handset and call 1.775.833.3600. Use Code #8317 for a directory of Bosch products.

Dealer Locator: 1.800.866.2022

SAP#2800001611

BSH#6308-0196 Litho Date: 11/08 MG

