



# Professional Custom Series Built-In Gas 30"/36"W. Sealed Burner Rangetop

## Standard Features & Accessories

### All models include

- Exclusive VSH™ Pro Sealed Burner System (VariSimmer™ to High)—combination of patented burner and top design provide ease of cleaning plus superior performance at simmer and high
- Exclusive VariSimmer setting for all burners
- Exclusive tooled and porcelainized cooking surface contains spills for easy cleaning
- Brass sealed burners with

porcelain/cast iron caps and automatic ignition/re-ignition

- Durable knobs with childproof, push-to-turn safety feature

### 30"W. 4B model includes

- Three 15,000 BTU burners
- One TruPower Plus™ 18,500 BTU burner
- Center grate allows movement of cooking vessels across entire top surface

### 36"W. 6B model includes

- Five 15,000 BTU burners
- One TruPower Plus™ 18,500 BTU burner

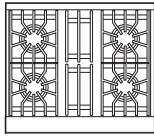
### 36"W. 4G model includes

- Four 15,000 BTU burners
- 12"W. thermostatically controlled steel griddle/simmer plate

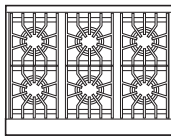
### 36"W. 4Q model includes

- Four 15,000 BTU burners
- 12"W. grill with flavor generator plates and automatic ignition/re-ignition

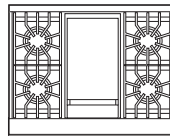
## Model Options



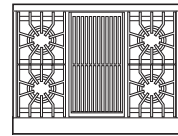
**VGRT530-4B\***  
30"W. Four-Burner Rangetop



**VGRT536-6B\***  
36"W. Six-Burner Rangetop



**VGRT536-4G\***  
36"W. Four-Burner/Griddle Rangetop



**VGRT536-4Q\***  
36"W. Four-Burner/Grill Rangetop

### FINISH DETAILS FOR ALL MODELS

- Stainless Steel (SS) and White (WH).
  - Stainless units have black porcelain grates, black porcelain burner caps, black porcelain grate support and stainless knobs.
- White (WH)
  - White finishes have black porcelain grates, black porcelain burner caps, white porcelain grate support and white knobs.
- Brass Accent Option (BR)—nameplate and knob bezels. Brass components have a durable protective coating for maintenance-free normal use

\*Shown throughout with island trim. See **Installation Notes & Accessories** for details.

### ORDERING INSTRUCTIONS

First specify model number, and then color code (VGRT530-4BSS). If ordering brass accent option, specify code at end (VGRT530-4BSSBR). If ordering optional LP conversion, specify code at end (VGRT530-4BSSBRLP).





# Professional Custom Series Built-In Gas 30"/36"W. Sealed Burner Rangetop

## Dimensions & Specifications

### PRODUCT DIMENSIONS



**VGRT530-4B**  
30"W. Four-Burner  
Rangetop

**VGRT536-6B**  
36"W. Six-Burner  
Rangetop

**VGRT536-4G**  
36"W. Four-Burner/  
Griddle Rangetop

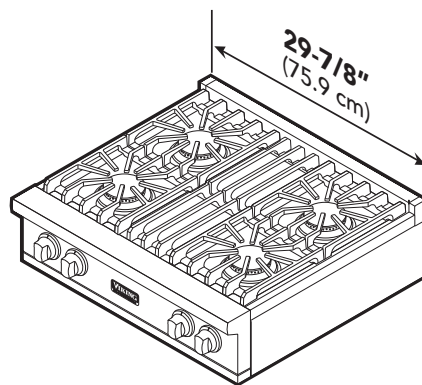
**VGRT536-4Q**  
36"W. Four-Burner/  
Grill Rangetop

★ Please see Installation Notes & Accessories for important installation information, including island trim, backguard, and high-shelf.

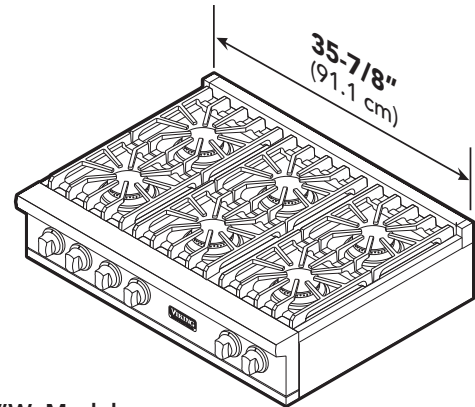


ALL MODELS

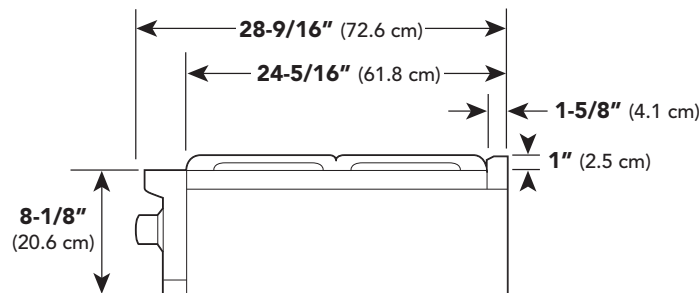
Star-K Kosher Certification for use on the Jewish Sabbath or Jewish holidays



30"W. Models



36"W. Models



	<b>VGRT530</b>	<b>VGRT536</b>
Overall width	29-7/8" (75.9 cm)	35-7/8" (91.1 cm)
Overall height (from bottom)		
To top of grate	9-1/4" (23.5 cm)	9-1/4" (23.5 cm)
To top of island trim	9-1/8" (23.2 cm)	9-1/8" (23.2 cm)
Additions to base height		
To top of backguard	Add 8" (20.3 cm)	Add 8" (20.3 cm)
To top of high shelf	Add 23-1/2" (72.9 cm)	Add 23-1/2" (72.9 cm)
Overall depth (from rear)		
To end of side panel	24-5/16" (61.8 cm)	24-5/16" (61.8 cm)
To end of landing ledge	28-1/16" (71.3 cm)	28-1/16" (71.3 cm)
To end of knobs	28-9/16" (72.6 cm)	28-9/16" (72.6 cm)

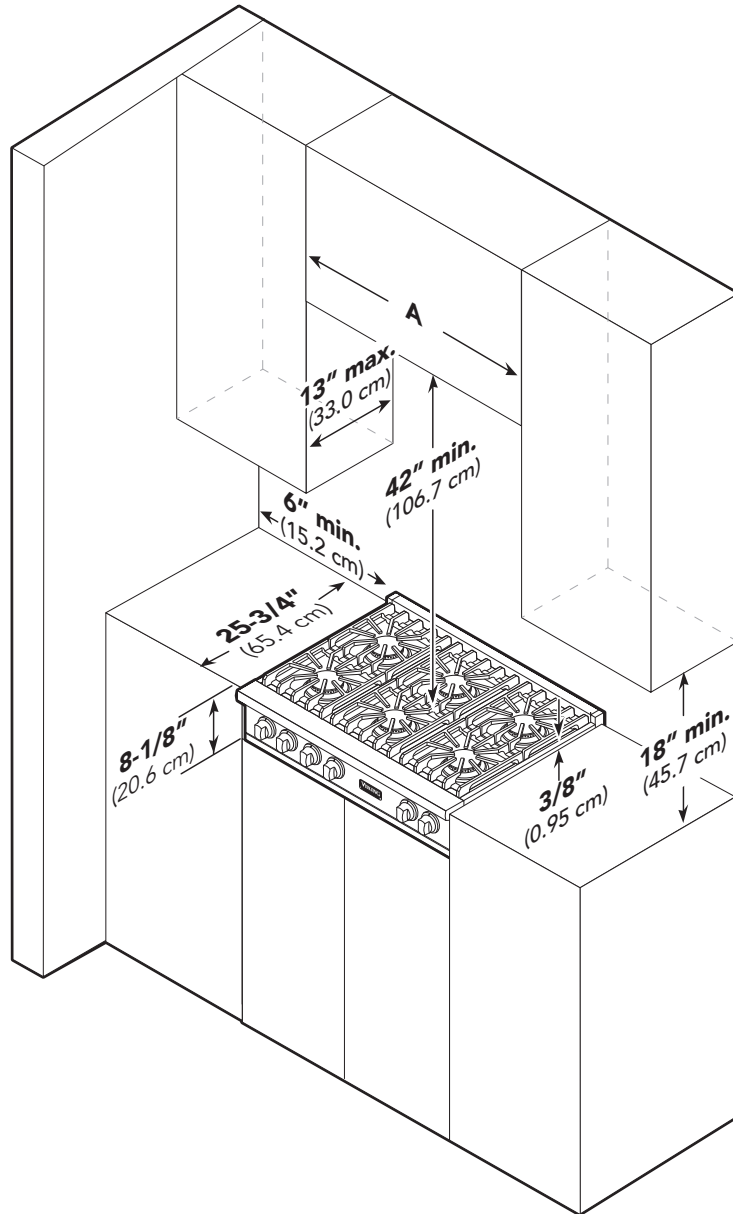




Professional Custom Series Built-In Gas 30"/36"W. Sealed Burner Rangetop

Dimensions & Specifications

CLEARANCE DIMENSIONS



A	
30"W.	29-7/8" (75.9 cm)
36"W.	35-7/8" (91.1 cm)

Minimum clearances from adjacent combustible construction

- Cooking surface and below, i.e., 36" (91.4 cm) and below
  - o Sides—0"
  - o Rear—0" with backguard or highshelf; 0" with island trim and non-combustible rear wall; 6" (15.2 cm) with island trim and combustible rear wall.

- Above cooking surface, i.e. above 36" (91.4 cm)
  - o Sides—6" (15.2 cm)
  - o Within 6" (15.2 cm) side clearance, wall cabinets no deeper than 13" (33.0 cm) must be minimum 18" (45.7 cm) above cooking surface.
  - o Wall cabinets directly above product must be minimum 42" (106.7 cm) above cooking surface.





# Professional Custom Series Built-In Gas 30"/36"W. Sealed Burner Rangetop

## UTILITY REQUIREMENTS



### GAS

- o Shipped natural or propane gas; field convertible with conversion kit.
- o Accepts standard residential 1/2" (1.3 cm) ID gas service line
- o Gas manifold pressure
  - o Natural gas 5.0" W.C.P.
  - o LP/Propane 10.0" W.C.P.



### ELECTRICAL

- Four-foot (121.9 cm) cord included with rangetop
- Three-wire with ground/three-prong plug
- 120 V/60 Hz
- Max. amp usage—
  - o 4B—0.5
  - o 6B—0.5
  - o 4G—0.5
  - o 4Q—0.5



### PLUMBING

Not applicable

## Installation Requirements

### ACCESS REQUIREMENTS

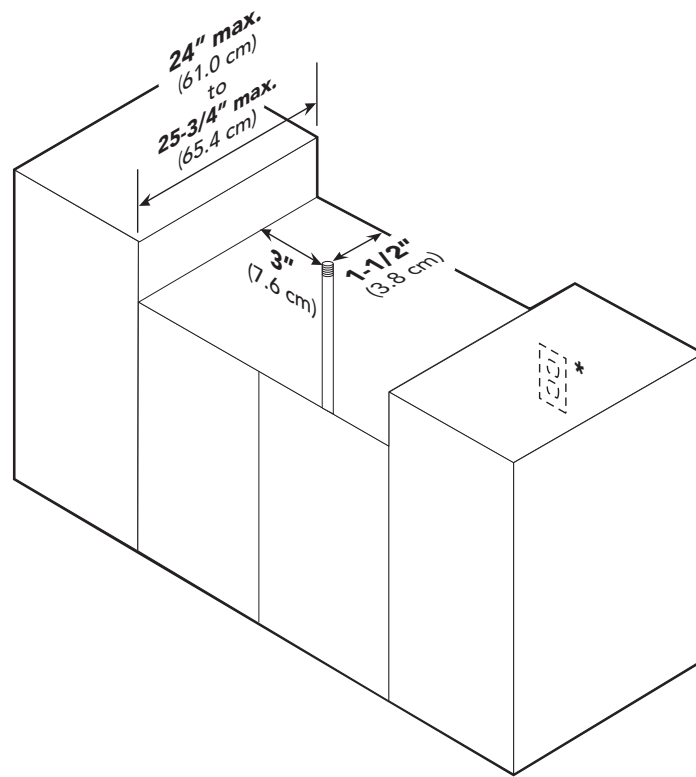


**VGRT530-4B**  
30"W. Four-Burner Rangetop

**VGRT536-6B**  
36"W. Six-Burner Rangetop

**VGRT536-4G**  
36"W. Four-Burner/Griddle Rangetop

**VGRT536-4Q**  
36"W. Four-Burner/Grill Rangetop



*\*Note: 120 VAC/50Hz within 48" (121.9 cm) of right rear of rangetop*

	<b>VGRT530-4B</b>	<b>VGRT536-6B</b>	<b>VGRT536-4G</b>	<b>VGRT536-4Q</b>
Cutout width	30" (76.2 cm)	36" (91.4 cm)	36" (91.4 cm)	36" (91.4 cm)
Cutout height	<b>7-5/8" (19.4 cm)</b>			
Cutout depth	<b>24" (61.0 cm) min. to 25-3/4" (65.4 cm) max.</b>			
Surface burner rating				
TruPower Plus™ burner (front right)	18,500 BTU Nat. (5.4 kW)/ 16,600 BTU LP (4.9 kW)	18,500 BTU Nat. (5.4 kW)/ 16,600 BTU LP (4.9 kW)		
Other Burners	15,000 BTU Nat. (4.4 kW)/ 13,500 BTU LP (4.0 kW)	15,000 BTU Nat. (4.4 kW)/ 13,500 BTU LP (4.0 kW)		
Griddle				15,000 BTU Nat. (4.4 kW)/ 12,500 BTU LP (3.7 kW)
Grill			18,000 BTU Nat. (5.3 kW)/ 16,000 BTU LP (4.7 kW)	





# COOKING

## Professional Custom Series Built-In Gas 30"/36"W. Sealed Burner Rangetop



### ✪ Installation Notes & Accessories

A backguard, high-shelf, or island trim must be used for all installations.

#### Island Trim

- Stainless Steel (SS)
- Coordinates with all finishes
- For island/peninsula installation
- Included and shipped standard

Model	Description	Approx. ship wt. lbs. (kg)
P30TII	30"W. island trim	10 (4.5)
P36TII	36"W. island trim	11 (5.0)

#### 8"H. Backguard

- Stainless Steel (SS)
- Coordinates with all finishes

Model	Description	Approx. ship wt. lbs. (kg)
P30BG8	30"W. backguard	14 (6.3)
P36BG8	36"W. backguard	17 (7.7)

#### High-shelf

- Stainless Steel (SS)
- Coordinates with all finishes
- Shelf comes attached to a 24"H. backguard

Model	Description	Approx. ship wt. lbs. (kg)
B30HS24	30"W. high-shelf	45 (20.3)
B36HS24	36"W. high-shelf	50 (22.5)

#### Countertop Side Trim

- Stainless Steel (SS)
- Coordinates with all finishes
- Installs on side of unit; overlaps countertop
- One pair of trim

Model	Description	Approx. ship wt. lbs. (kg)
P24CST	24"D. side trim	2 (0.9)

#### Countertop Rear Trim

- Stainless Steel (SS)

Model	Description	Approx. ship wt. lbs. (kg)
P30CRT	30"W. countertop rear trim	2 (0.9)
P36CRT	36"W. countertop rear trim	2 (0.9)

#### LP/Propane Conversion Kit

- Allows for field conversion of range from natural gas to LP

Model	Description	Approx. ship wt. lbs. (kg)
LPKPDF	Natural to LP/propane conversion kit	2 (0.9)

#### Compliance Information



### WARRANTY INFORMATION\*

- One-year full warranty—complete product
- Ten-year limited warranty—surface burners, griddle burners and grill burners
- Ninety-day limited warranty—cosmetic parts such as glass, painted, and decorative items

\* For complete warranty see *Use & Care Guide*. Warranty valid on Viking products shipped within the United States and Canada.



