

DRT304S, DRT366S



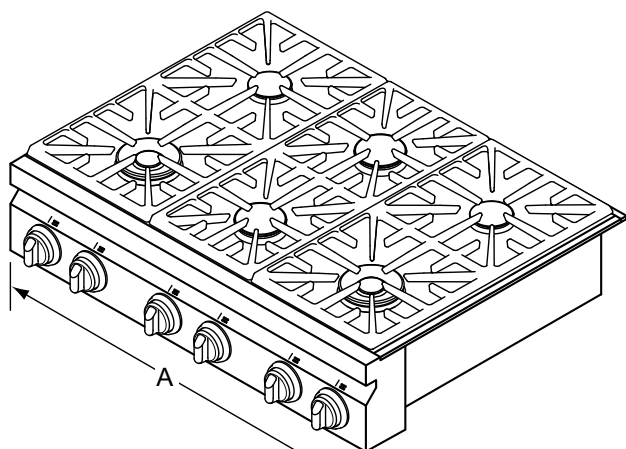
30" and 36" Wide, Distinctive Series Slide-in Gas Cooktops

PLANNING GUIDE

WARNING

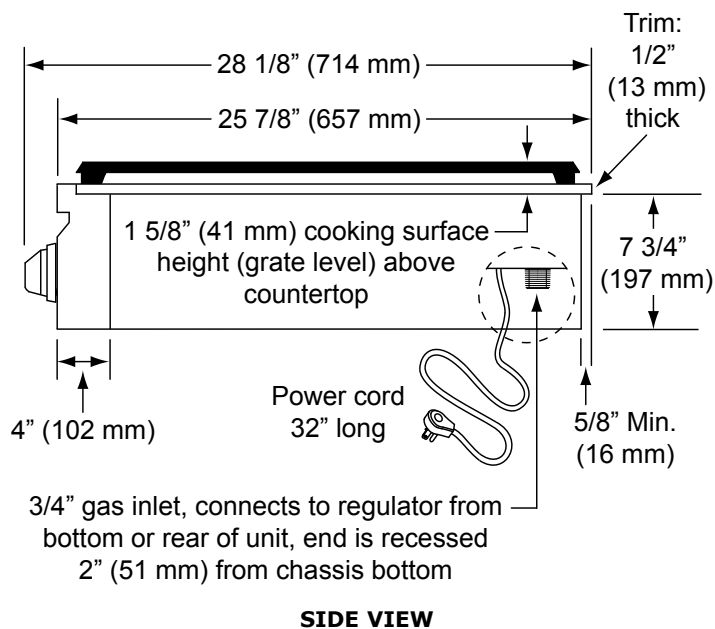
- ◇ Observe all governing codes and ordinances during planning and installation. Contact your local building department for further information.
- ◇ This appliance must be installed in accordance with the accompanying installation instructions.

Product Dimensions



Product tolerances:
±1/16" (±1.6 mm)
unless otherwise noted

COOKTOP WIDTH (A)	
DRT304S	29 7/8" (759 mm)
DRT366S	35 7/8" (911 mm)



Electrical and Gas Supply Requirements

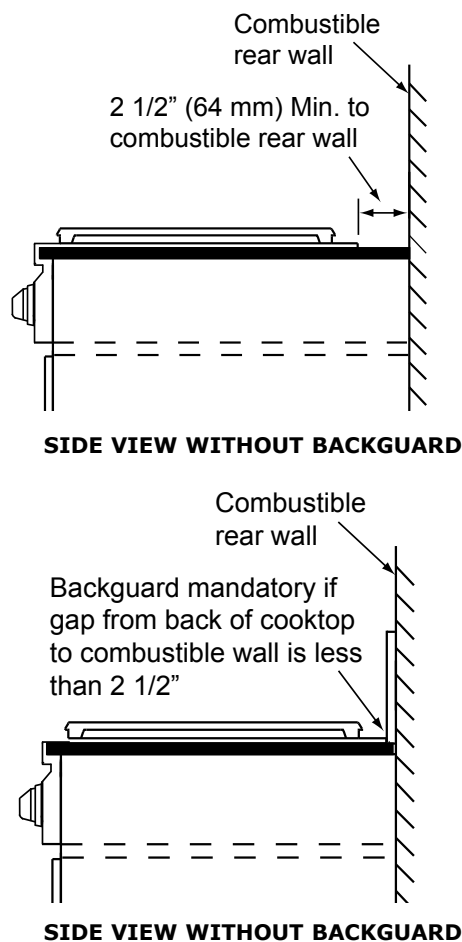
ELECTRIC CIRCUIT REQUIREMENTS	
Circuit Required	Total Connected Load
120 Vac 60Hz, 15 Amp. (3 wire)	0.25 Amp @ 120 Vac, 60 Hz

GAS SUPPLY PRESSURE REQUIREMENTS*		
Gas Type	Manifold Pressure	Minimum Gas Supply Pressure
Natural Gas	5" Water Column	6" Water Column
Propane (LP)	10" Water Column	11" Water Column

* Maximum gas supply pressure for all models is 1/2 p.s.i.

Cabinet and Countertop Layout

Installation of a non-combustible material* (up to the hood) or a backsplash is always recommended, and mandatory if the distance to the back wall from the cooktop is less than 2 1/2" (Figure 2). When installing a backguard, use only Dacor model numbers AEB3009, AEB3012 (DRT304S), AEB3609 or AEB3612 (DRT366S).



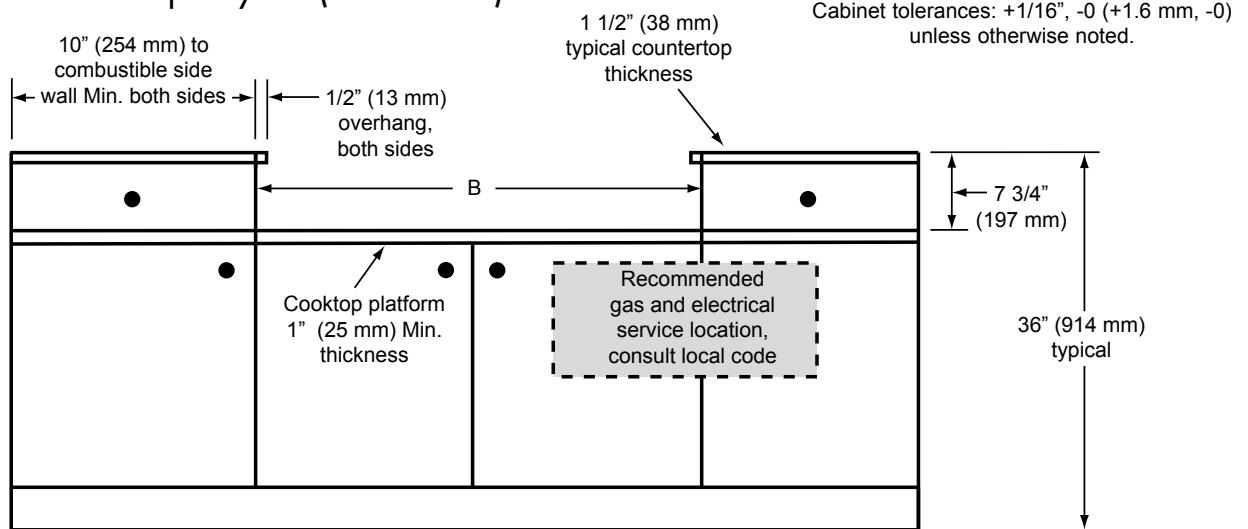
DRT304S, DRT366S



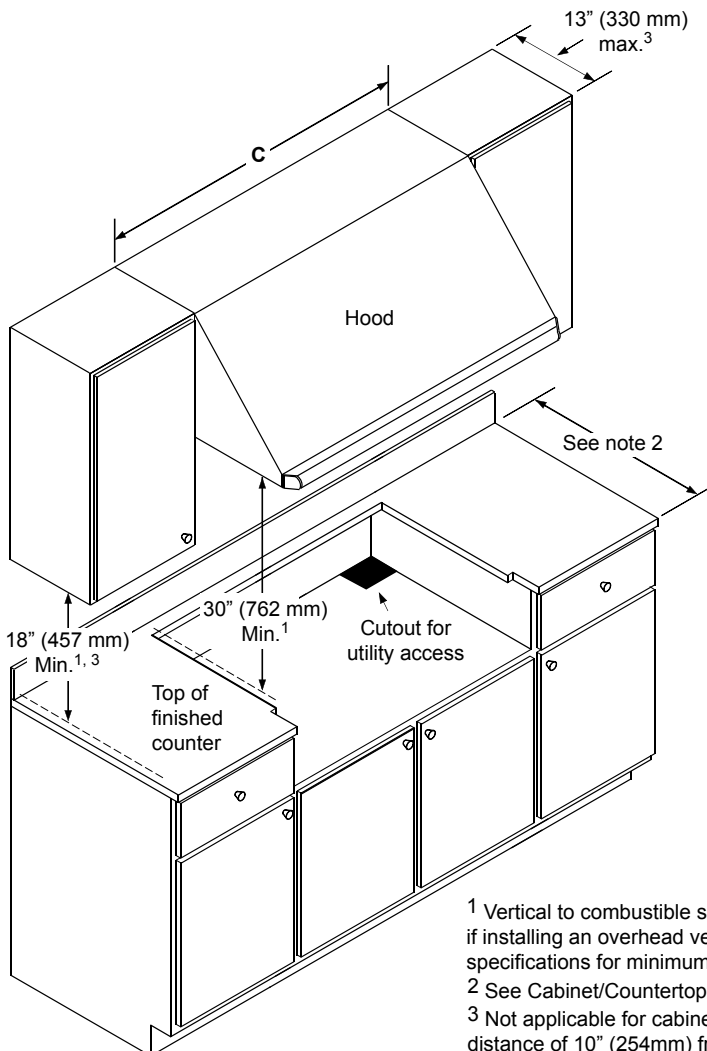
30" and 36" Wide, Distinctive Series Slide-in Gas Cooktops

PLANNING GUIDE

Cabinet and Countertop Layout (Continued)



CABINET/COUNTERTOP DIMENSIONS - FRONT VIEW



Model No.	B	C
DRT304S	30" (762 mm)	30" (762 mm)* 36" (914 mm)**
DRT366S	36" (914 mm)	36" (914mm)* 42" (1067 mm)**
* Minimum ** Recommended		

NOTE: Models DRT304S and DRT366S are not approved for installation with a raised vent.

**CABINET/COUNTERTOP DIMENSIONS -
ISO VIEW**

- 1 Vertical to combustible surface from cooktop grate level; if installing an overhead vent hood, also check the hood specifications for minimum required clearances.
- 2 See Cabinet/Countertop Dimensions - Top View
- 3 Not applicable for cabinets more than a horizontal distance of 10" (254mm) from the edge of the cooktop.

**Continued. on following
page...**

DRT304S, DRT366S



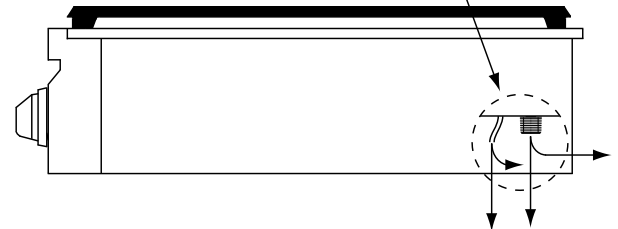
30" and 36" Wide, Distinctive Series Slide-in Gas Cooktops

PLANNING GUIDE

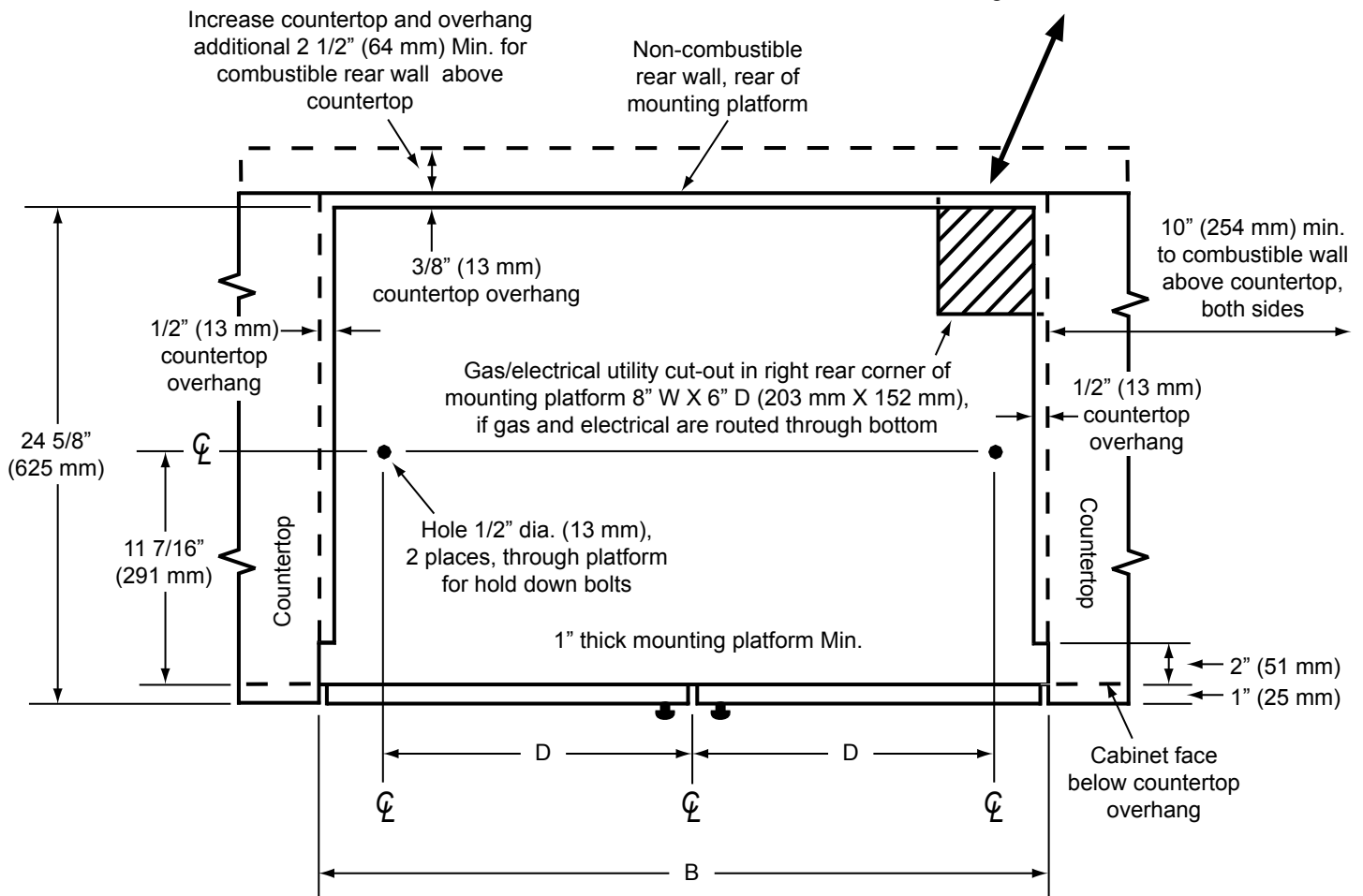
Cabinet and Countertop Layout (Continued)

Cutout tolerances: +1/16", -0, (+1.6mm, -0) unless otherwise stated

Gas and electrical connections at right rear section of chassis



Gas connection and power cord may be routed through bottom or back of chassis



CABINET/COUNTERTOP CUTOUT DIMENSIONS - TOP VIEW

Model No.	B - Cutout Width	D - Hole Offset
DRT304S	30" (762 mm)	13 3/8" (340 mm)
DRT366S	36" (914 mm)	16 5/8" (422 mm)