

### READ AND SAVE THESE INSTRUCTIONS

TESTED IN ACCORDANCE WITH THE LATEST EDITION OF ANSI/UL 858 AND CAN/CSA-C22.2 NO. 64 STANDARD FOR HOUSEHOLD ELECTRIC COOKING AND LIQUID HEATING APPLIANCES.

### CONVENTIONS USED IN THESE INSTRUCTIONS



**WARNINGS:**

Must be followed carefully to avoid personal injury or damage.



**NOTES:**

Contain helpful hints and tips to facilitate the installation.

**IMPORTANT**

1. Before beginning installation, please thoroughly read and become familiar with these instructions.
2. Installation and service must be completed by a qualified installer or service agency.
3. Installer: Please leave these Installation Instructions with the owner.
4. Owner: Please keep these instructions for local electrical inspector's use and for future reference.
5. Read the accompanying Use & Care Manual prior to operating this appliance.

**TABLE OF CONTENTS**

STEP 1	Package contents verification	Page 2
STEP 2	Installation planning	Page 2-4
STEP 3	Installing the support platform in the cabinet	Page 5
STEP 4	Electrical power supply requirements	Page 5
STEP 5	Removing the oven door(s)	Page 5-6
STEP 6	Turning of the power supply	Page 6
STEP 7	Electrical connection	Page 6
STEP 8	Mounting the oven	Page 7
STEP 9	Installing the exhaust deflector	Page 7
STEP 10	Re-installing the oven door(s)	Page 7
STEP 11	Installation check list	Page 7
STEP 12	Verifying oven operation	Page 8

# IMPORTANT SAFETY INSTRUCTIONS

## WARNINGS:

1. Read all instructions before using the appliance.
  2. This appliance must be grounded. Connect only to a properly grounded outlet. See “Grounding Instructions”.
  3. Install or locate this appliance only in accordance with these installation instructions.
  4. Use this appliance only for its intended use as described in this manual. Do not use corrosive chemicals or vapors in this appliance. This type of oven is specifically designed to heat and cook dry food. It is not designed for industrial or laboratory use.
  5. As with any appliance, close supervision is necessary when used by children.
  6. Do not install this appliance if it has a damaged electrical supply conduit, if it is not working properly, or if it has been damaged or dropped.
  7. This appliance should be serviced only by qualified service personnel. Contact the nearest DACOR Authorized Servicer at (800) 772-7778, or at [www.dacor.com](http://www.dacor.com) for examination, repair or adjustment.
  8. Do not cover or block any openings on the appliance.
  9. Do not store or install this appliance outdoors. Do not use this product near water – for example, near a kitchen sink, in a wet basement or near a swimming pool, etc.
- Some products, such as whole eggs, and sealed containers such as closed glass jars may explode and should not be heated in this oven.

- To reduce the risk of fire in the oven cavity: Do not overcook food. Carefully attend the appliance if paper, plastic or other combustible materials are placed inside the oven.
- If materials inside the oven should ignite, keep the oven door closed and shut off the power at the fuse or the circuit breaker panel.

## WARNING:

If the electrical service provided does not meet the product specifications, do not proceed with the installation. Call a licensed electrician to correct.

## WARNINGS:

1. Do not attempt to disengage the hinge catches with the door removed from the oven. The hinge springs could release, causing personal injury.
2. Do not lift or carry oven door by the door handle.

## WARNING:

DO NOT use handle as a gripping point.

## WARNING:

Failure to disconnect power during installation or service may result in electrical shock or fire hazard.

## WARNINGS:

1. This appliance must be connected to a grounded, metallic, permanent wiring system. Alternatively, a grounding conductor should be connected to the grounding terminal or lead on the appliance. Failure to do so may result in an electrical shock hazard.
2. Do not use an extension cord with this appliance. Such use may result in fire, electrical shock, or other personal injury.

3. Do not install a fuse in the neutral or ground circuit. A fuse in the neutral or ground circuit may result in an electrical shock hazard.

## WARNING:

Do not connect the green appliance wire to the neutral (white) junction box wire unless local building codes permit.

## WARNINGS:

1. Do not ground the appliance to a gas supply pipe or hot water pipe.
2. Do not turn on power to the appliance until the oven is permanently grounded.
3. Grounded cold water pipe must have metal continuity to electrical ground and must not be interrupted by insulating materials. Any insulating materials must be jumped with a length of No. 4 copper wire securely clamped to bare metal at both ends.

## WARNINGS:

1. Failure to install the mounting screws may result in movement or tipping of the oven during use and personal injury.
2. Do not block the oven air exhaust located at the bottom of the oven. Blocking the intake may cause cabinet damage and poor baking performance.

## WARNINGS:

1. Failure to fully rotate the hinge catches towards the oven will cause the door to fall off receptacles when closing the door. This may result in personal injury or damage.
2. Failure to fully rotate the hinge catches will cause them to bend when the door is closed. This will make closing the door impossible.

## Verifying the Package Contents

Verify that all required components have been provided. If any item is missing or damaged, please contact your dealer immediately. Do not install a damaged or incomplete appliance.

- Mounting Screws (six 1 1/4", six 3/4")
- Use & Care Manual
- Quick Start Guide
- Oven Racks (2 w/Single, 5 w/Double)
- GlideRack™
- Broiler Grill and Pan (one)
- Meat Probe (one)
- Rack Glides (1 w/Single, 1 w/Double)
- Stainless Steel Cleaner (Stainless Models Only)
- Light Pry Stick
- EASE Form
- Exhaust Deflector
- Exhaust Plate Mounting Screws (three 1/2")

## Installation Planning

A qualified installer must complete the installation of this built-in appliance. Proper installation is the customer's responsibility.

Carefully check the location where the oven is to be installed. The oven should be placed for convenient access. Make certain that electrical power can be provided in the selected location.

Plan the installation so that all minimum clearances are met or exceeded. Dimensions shown provide minimum clearances, unless otherwise noted. Be certain that proper clearance is provided for the oven door when it is in the open position.

The specified minimum cabinet depth and width must be provided. The cabinet depth and width must completely enclose the recessed portion of the oven.

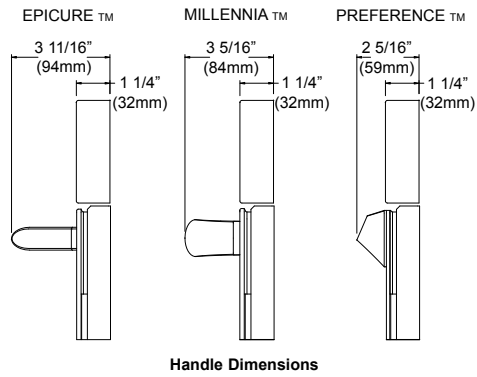
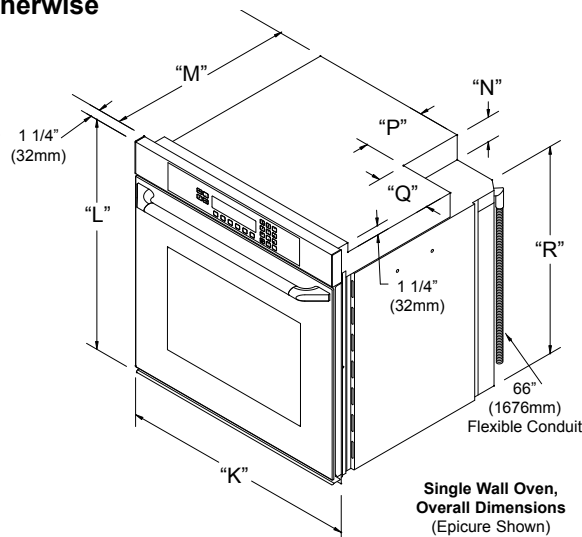
Cabinet cutout dimensions must be used as indicated. All contact surfaces between the appliance and the cabinet must be solid and level. The oven support platform must be flush with the bottom edge of the cabinet cutout.

Make certain that you have everything necessary to ensure a proper installation before proceeding.

### NOTE:

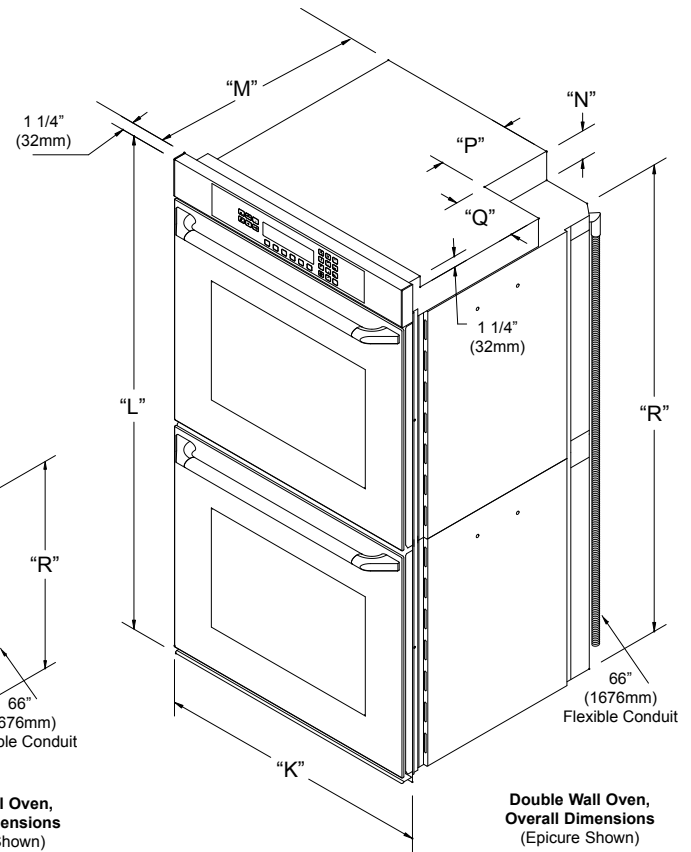
**All dimensional tolerances are + 1/8", - 0" unless otherwise stated.**

## Overall Dimensions (EO, PO, MOV, MOH)



Model Number	Overall Width "K"	Overall Height "L"	Chassis Depth "M"	Recess Height "N"	Recess Depth "P"	Recess Width "Q"	Chassis Height "R"
EO127	27" (686mm)	27 15/16" (710mm)	23 3/8" (594mm)	2 5/16" (75mm)	7 3/8" (187mm)	6 3/8" (162mm)	26 3/16" (589mm)
PO127							
MOV127							
MOH127							
EO130	30" (762mm)	51 3/32" (1298mm)	23 3/8" (594mm)	2 5/16" (75mm)	7 3/8" (187mm)	6 3/8" (162mm)	49 5/16" (1253mm)
PO130							
MOV130							
MOH130							
EO227	27" (686mm)	51 3/32" (1298mm)	23 3/8" (594mm)	2 5/16" (75mm)	7 3/8" (187mm)	6 3/8" (162mm)	49 5/16" (1253mm)
PO227							
MOV227							
MOH227							
EO230	30" (762mm)	51 3/32" (1298mm)	23 3/8" (594mm)	2 5/16" (75mm)	7 3/8" (187mm)	6 3/8" (162mm)	49 5/16" (1253mm)
PO230							
MOV230							
MOH230							

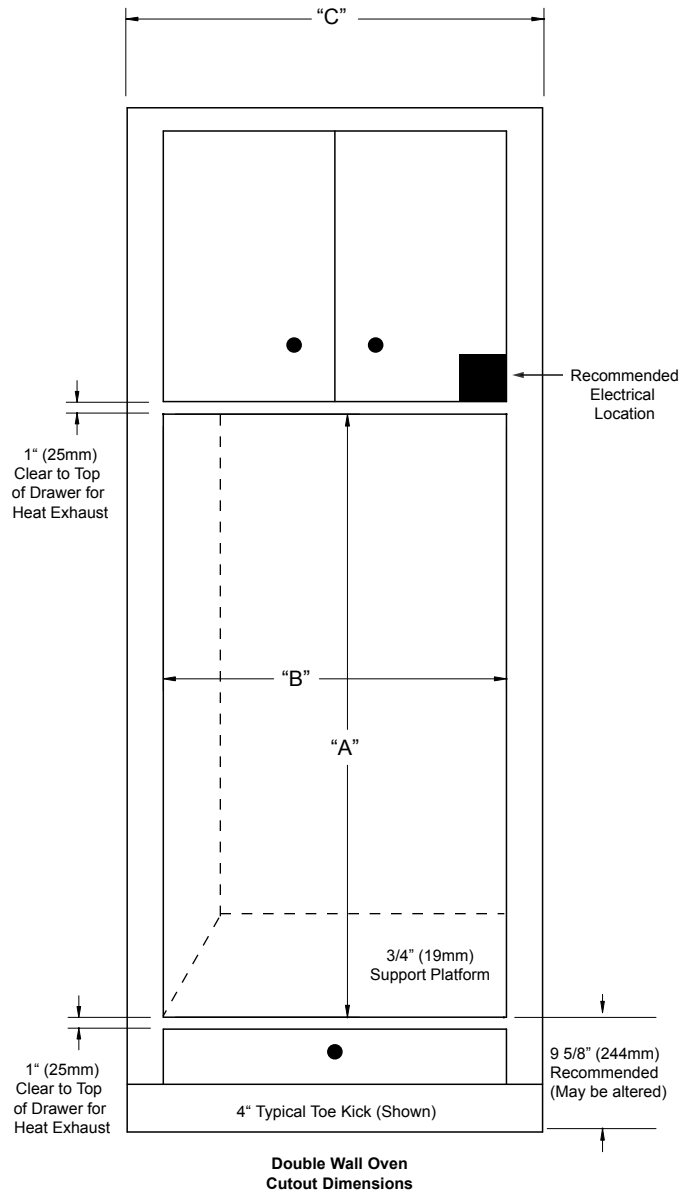
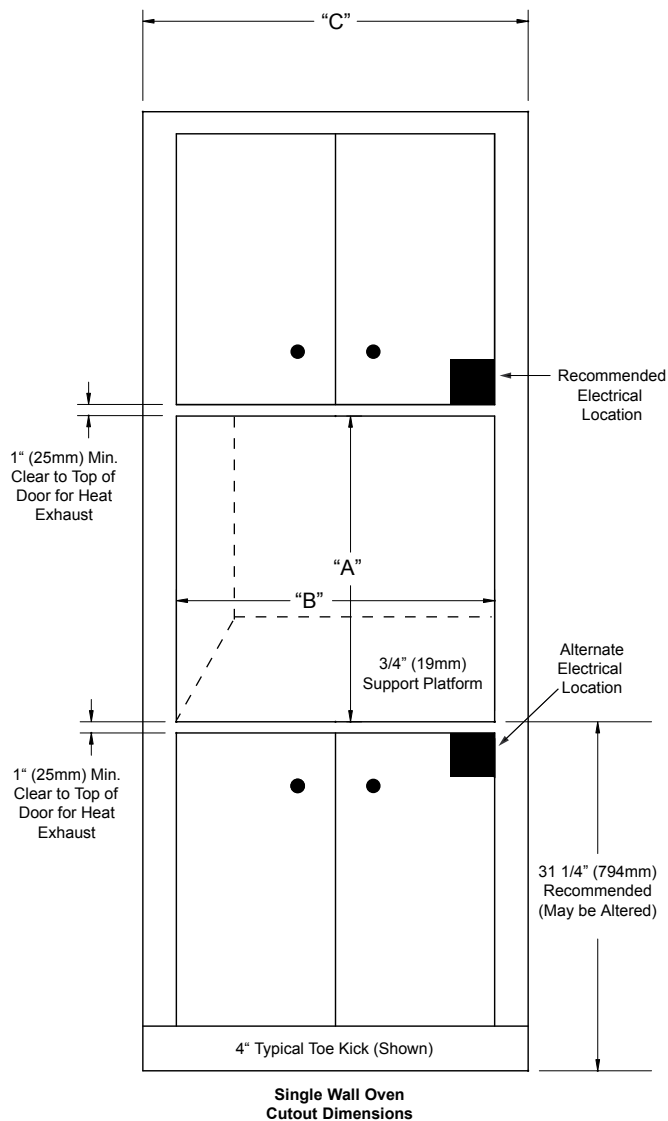
Table 1: Wall Oven Overall Dimensions



## Cabinet Preparation

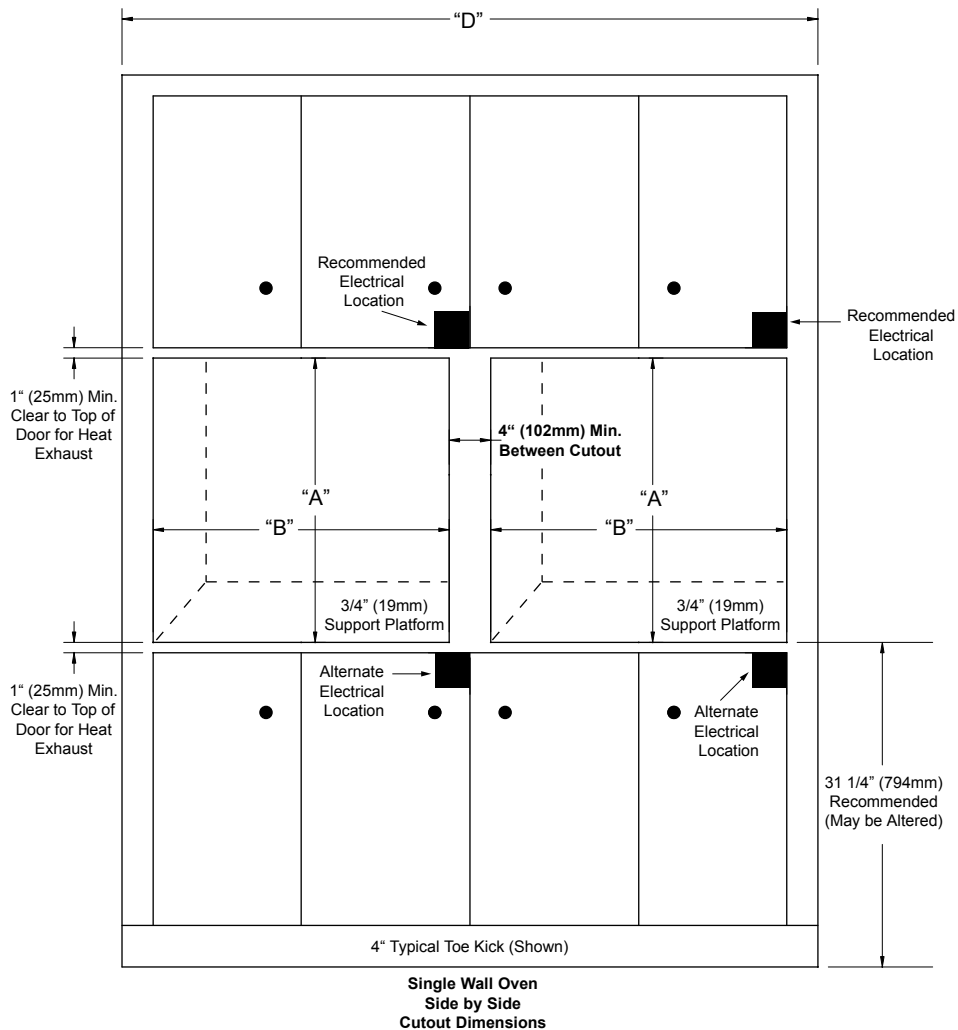
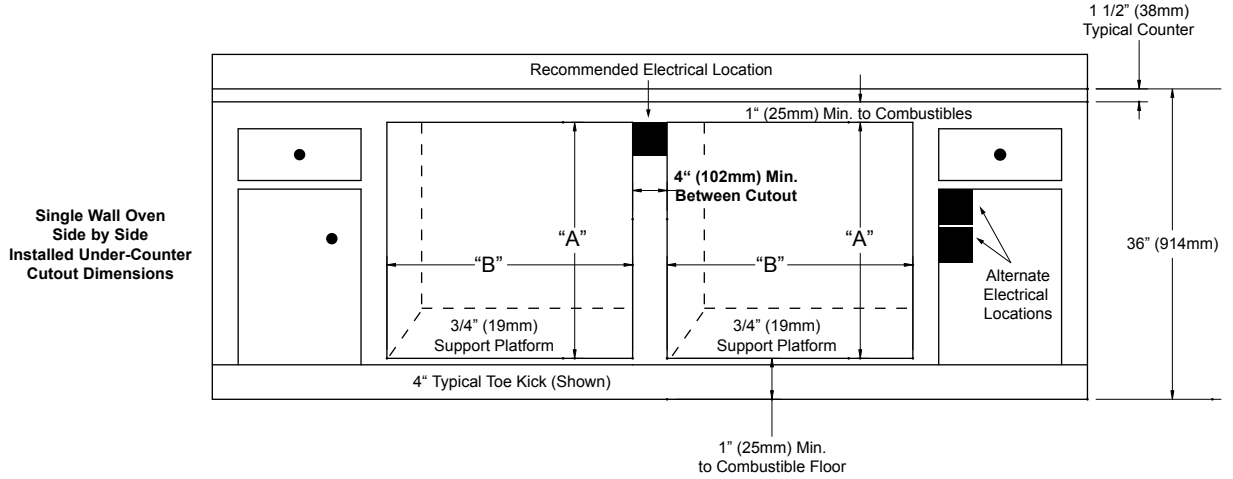
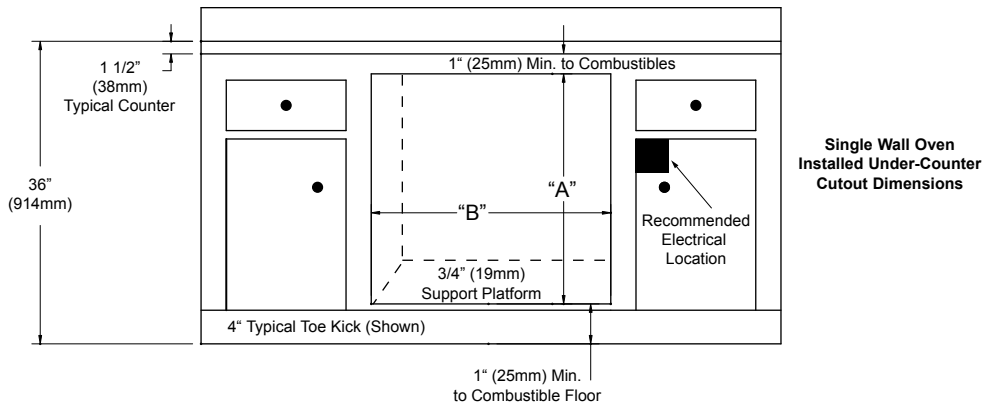
Model Number	Cutout Height "A"	Cutout Width "B"	Min. Cabinet Width "C"	Min. Cabinet Width "D"
EO127	27 3/8" (695mm)	25 1/2" (648mm)	27" (686mm)	56 1/2" (1435mm)
PO127				
MOV127				
MOH127				
EO130				
PO130	28 1/2" (724mm)	30" (762mm)	62 1/2" (1588mm)	
MOV130				
MOH130				
EO227				
PO227	50 9/16" (1284mm)	25 1/2" (648mm)	27" (686mm)	N/A
MOV227				
MOH227				
EO230				
PO230				
MOV230				
MOH230				

Table 2: Cutout Dimensions



### NOTES:

1. **24" (610mm) Minimum Interior Cabinet Depth.**
2. **3/4" (19mm) Support Platform (Flush with Cutout).**
3. **For combination installations, please refer to the Dacor Planning Guide (available online at [www.dacor.com](http://www.dacor.com)).**



## Installing the Support Platform in the Cabinet

Provide a platform within the cabinet upon which the oven will be supported. The platform must be installed level and straight. The top edge of the platform must be flush with the cutout at the front of the cabinet. There are no provisions to level the oven after it has been installed. 3/4" (19mm) thick plywood is recommended.

### NOTE:

**An oven that is not level may provide poor or inconsistent baking results.**

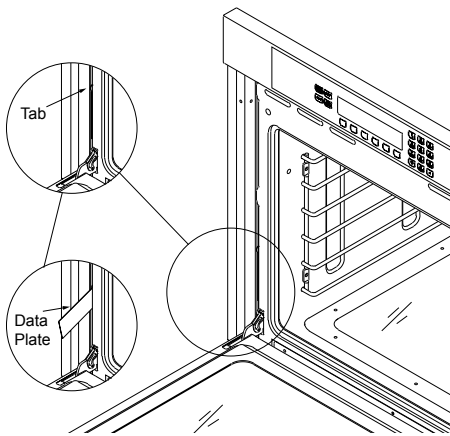
## Electrical Power Supply Requirements

It is the owner's responsibility to ensure that a qualified electrician performs the electrical connection of this appliance. The electrical installation, including minimum supply wire size, must comply with the National Electric Code ANSI/NFPA 70 (latest revision) and local codes and ordinances.

\*A copy of this standard may be obtained from:  
National Fire Protection Association  
1 Batterymarch Park  
Quincy, Massachusetts 02269-9101

The correct voltage, frequency, and amperage must be supplied to the appliance from a separate, grounded, single phase circuit that is protected by a properly sized circuit breaker or time-delay fuse. If a time-delay fuse is utilized, fuse both sides of the line (L1 and L2).

The required voltage, frequency and amperage ratings are listed on the product data plate and in Table 6. The product data plate is located inside the oven door, recessed in the slot between the left trim post and the left side of the (top) oven chamber. Press the tab on the top of the plate to rotate it out for reading.



Data Plate Location

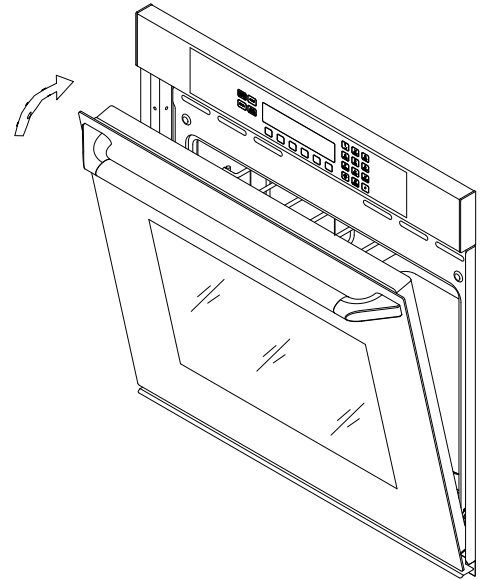
Models	Dedicated Circuit Required	Total Connected Load
Single, 27"	240VAC, 4-wire, 60Hz, 30A	4.7kW (20A)
Single, 30"		
Double, 27"	240VAC, 4-wire, 60Hz, 40A	8.6kW (37A)
Double, 30"		

Table 6: Electrical Requirements

### NOTES:

- Preheat times and cavity temperature recovery times will be increased slightly if operating on less than a 240VAC circuit.**
- Dedicated circuit required.**
- This appliance is provided with electrical connection leads in a flexible metal conduit. These leads may be a smaller gage than the standard household wiring of the dedicated supply circuit, but they are suitable for connection to these circuits under the jurisdiction of the National Electric Code, and/or the local inspection authority.**

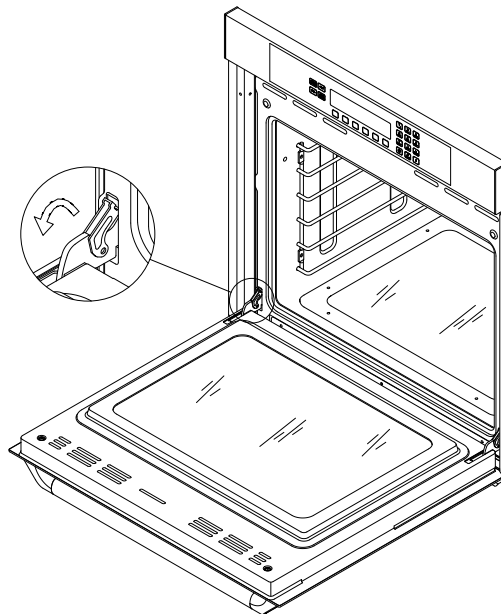
Step 3: Raise the door to a 60° angle. Hold the door with one hand on each side. Lift the door up and out.



Door Removal: Step 3

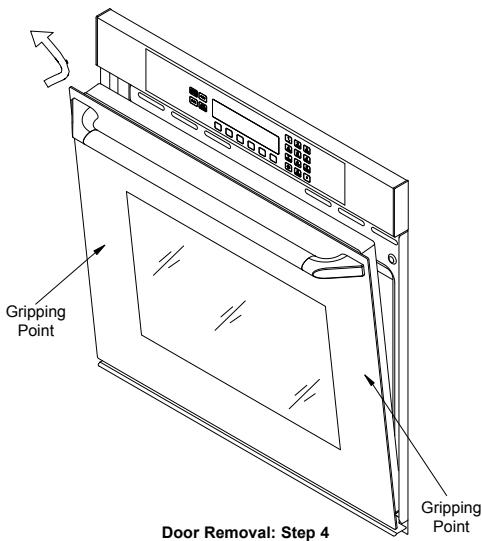
## Removing the Oven Door(s)

Step 1: -Open the oven door completely.  
Step 2: Pull the hinge locks forward on both hinges, until they stop.



Door Removal: Step 1 and 2

Step 4: Lift and pull door off of oven. Use gripping points as shown below.



Door Removal: Step 4

### Turning Off the Power Supply

Before attempting to connect the appliance to power, turn off the electrical power supply. Also, always turn off electrical power to the appliance prior to servicing it.

### Grounding Instructions

The appliance must be connected to the power supply with copper wire only. The use of aluminum wire may result in unsatisfactory connections. Flexible armored or non-metallic, sheathed copper cable (with grounding wire) should be used to connect the appliance to the junction box. A UL-listed connector must be used to directly connect the cable to the junction box.

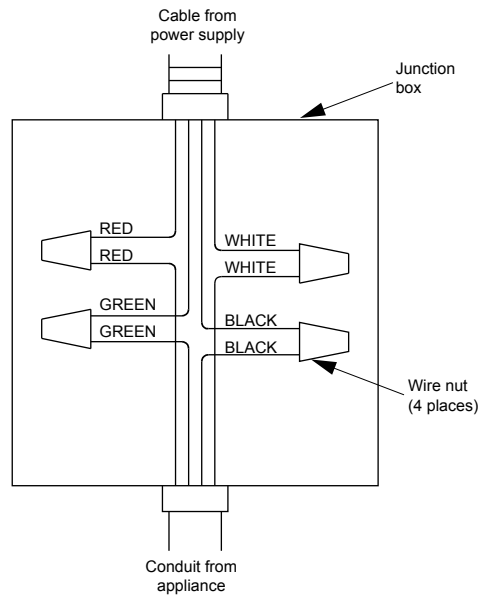
Be certain to locate the junction box such that the electrical supply may be easily disconnected in the event that service becomes necessary. Also, provide extra slack in the cable to allow the oven to slide forward for servicing.

**This appliance must be electrically grounded.**

With the oven positioned directly in front of the cabinet cutout, feed the appliance conduit to the electrical junction box. Then, depending upon local codes, utilize one of the following techniques to connect the appliance to the electrical power supply:

### A. Connecting to a Four-Wire Electrical System

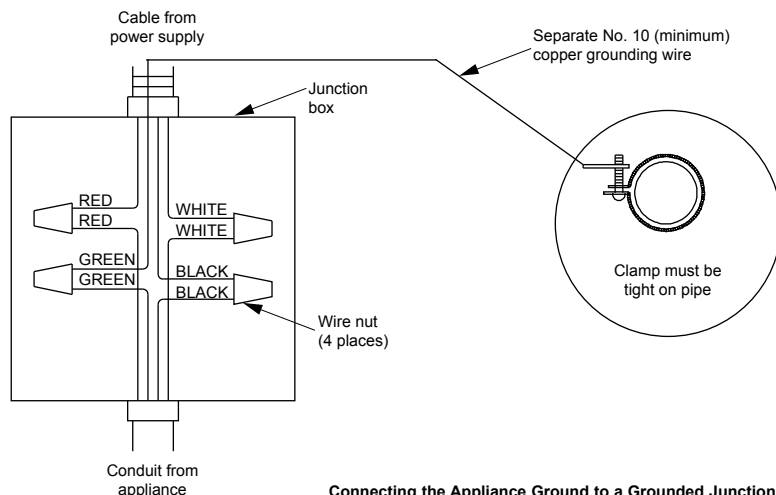
1. Separate the green and white appliance wires.
2. Connect the white appliance wire to the neutral (white) supply wire in the junction box.
3. Connect the black appliance wire to the black (L1) power supply wire in the junction box.
4. Connect the red appliance wire to the red (L2) power supply wire in the junction box.
5. Connect the green appliance wire to the green house grounding wire in the junction box.



Connecting the Appliance to a Four-Wire Power Supply

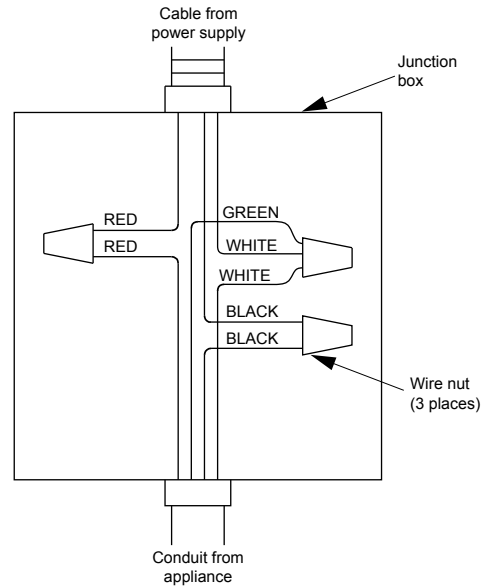
### B. Connecting the Green Appliance Wire to the Neutral (White) Supply Wire – Where Local Codes Permit

1. Connect the green and white appliance wires to the neutral (white) supply wire in the junction box.



Connecting the Appliance Ground to a Grounded Junction Box Wire or Cold Water Pipe

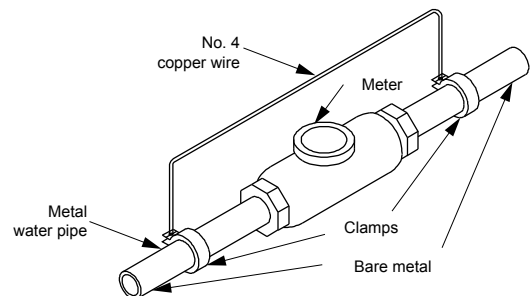
2. Connect the black appliance wire to the black (L1) power supply wire in the junction box.
3. Connect the red appliance wire to the red (L2) power supply wire in the junction box.



Connecting the Appliance Ground to Neutral Supply

### C. Connecting the Green Appliance Wire to a Grounded Junction Box Wire or Grounded Cold Water Pipe – Where Local Codes Permit

1. Separate the green and white appliance wires.
2. Connect the black appliance wire to the black (L1) power supply wire in the junction box.
3. Connect the red appliance wire to the red (L2) power supply wire in the junction box.
4. Connect the green appliance wire to a grounded wire in the junction box or to a grounded cold water pipe.
5. If connecting to a grounded cold water pipe, a separate copper grounding wire (No. 10 minimum) must be connected to a grounded cold water pipe by means of a clamp and then to an external grounding connector screw.



## Mounting the Oven

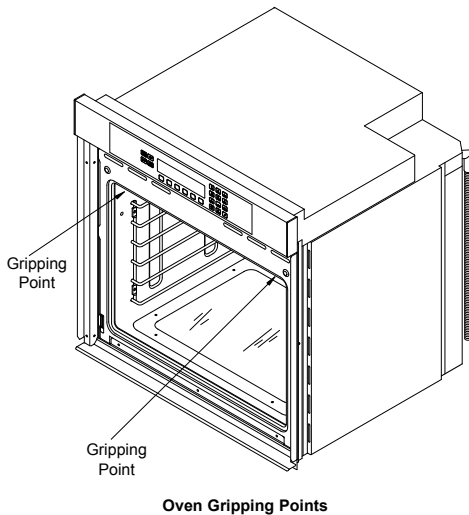
Lift the wall oven up to the cabinet cutout, using the upper edge of the cavity opening as gripping points. Use extreme caution when lifting the appliance as it is heavy. Be certain to take all necessary safety precautions.

Resting the oven on the cabinet-mounting platform, slide the oven into the recessed area (approx. 9"). Support oven at all times. After handle removal, continue to slide oven until the back of the trimposts are flush with cabinets and the oven is centered within the cutout. Ensure that the electrical conduit slides through the opening in the cabinet platform or coils above the oven chassis as the oven is slid into place. The cable must be placed coiled above the oven chassis. Do not trap the appliance conduit between the oven case back and the rear wall.

Locate the mounting holes found in the front and sides of the trimposts. Using a 1/16" drill, drill four (single models only) or six (double models only) pilot holes for the #6 x 3/4" screws provided in the instruction envelope. Install the screws through the front or side of the trimpost and into the cabinet to secure the oven. Do not over-tighten the screws.

### NOTES:

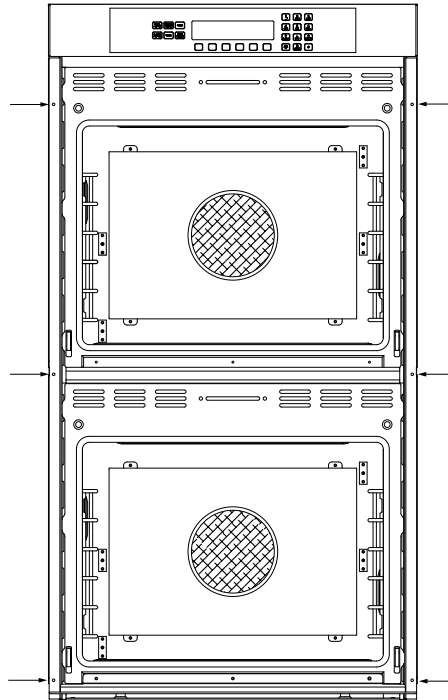
1. For installation into the cabinet, use the gripping points as shown below.
2. Support the oven at all times, until the oven is secured into cabinet.



Secure oven with screws provided. Mounting holes are located on the front and side of trimposts.

### NOTE:

**Single Models have 4 mounting holes, 2 locations each. Double Models have 6 mounting holes, 2 locations each.**



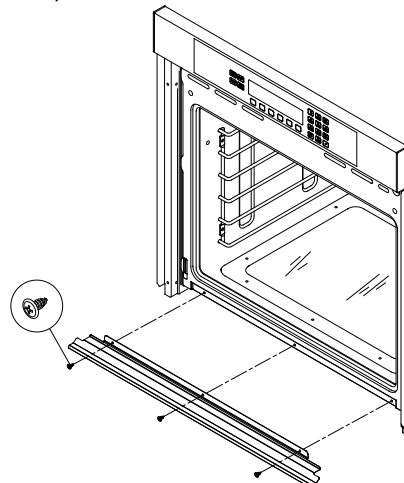
Installing the Cabinet Mounting Screws

## Installing the Exhaust Deflector

### NOTE:

**Install the exhaust deflector before installing the oven door(s).**

Attach the exhaust deflector to front of the oven. It attaches to the oven just below the oven chamber in the door jam. On a double oven, the exhaust deflector is mounted below the bottom oven chamber. Line up the mounting holes on the exhaust deflector with the screw holes on the front of the oven. Install it using the three (3) screws provided.



Installing the Exhaust Deflector

## Reinstalling the Oven Doors

Grasp the oven door on opposite sides and lift it until the door hinges are aligned with the openings in the oven frame. Holding the door at about a 60° angle from the horizontal, slide the hinges into the openings until the bottom hinge arms drop fully into the hinge receptacles.

Lower the door to the fully opened position, and then rotate the two hinge locks toward the oven. Open and close the door completely to ensure that it is properly installed.

For stainless steel surfaces, peel off the protective layer of plastic.

Remove any protective plastic from the front of the oven and any packaging from inside the oven.

## Installation Check List

- Oven is leveled. Shims may be used for leveling of unit.
- Oven is secured into cabinet (see page 7).
- Exhaust deflector has been installed onto oven (see page 7).
- Doors have been re-installed onto oven (see page 7).
- Verify all packaging materials or paper has been removed.
- Verify that power supplied to oven is correct (see page 6).
- Breaker has been turned on.
- Verify wall oven is operating properly (see page 8).



## Verifying Oven Operation

Slide the oven racks onto the support racks in the oven chamber(s) as instructed in the Operating Your Oven section of the Use and Care Manual. Place the broiler pan and tray on a rack within the oven, if desired.

Turn on the power supply to the oven. Set the clock as instructed in the Clock section of the Use and Care Manual.

Set the oven to bake mode as instructed in the quick start section of the use and care manual. Wait for the oven to heat to the “jump-in” temperature.



### NOTES:

**If the oven does not operate properly, follow these troubleshooting steps:**

- 1. Verify that power is being supplied to the oven.**
- 2. Check the electrical connections to ensure that the installation has been completed correctly.**
- 3. Repeat the above test.**
- 4. If the appliance still does not work, contact an authorized DACOR service company. If you are unable to locate a DACOR Servicer, please contact DACOR at (800) 793-0093, or visit us on the web at [www.dacor.com](http://www.dacor.com). Do not attempt to repair the appliance yourself. DACOR is not responsible for service required to correct a faulty installation.**

**NOTES:**

**NOTES:**

**Specifications contained within are subject to change without notice.  
No liability is assumed by DACOR for changes in specifications.**

Web Site:  
Phone:

[www.dacor.com](http://www.dacor.com)  
(800) 793-0093

