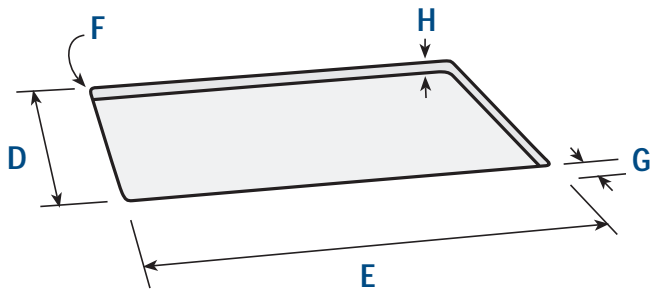
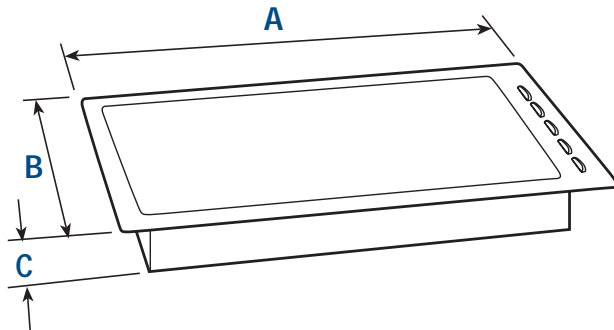
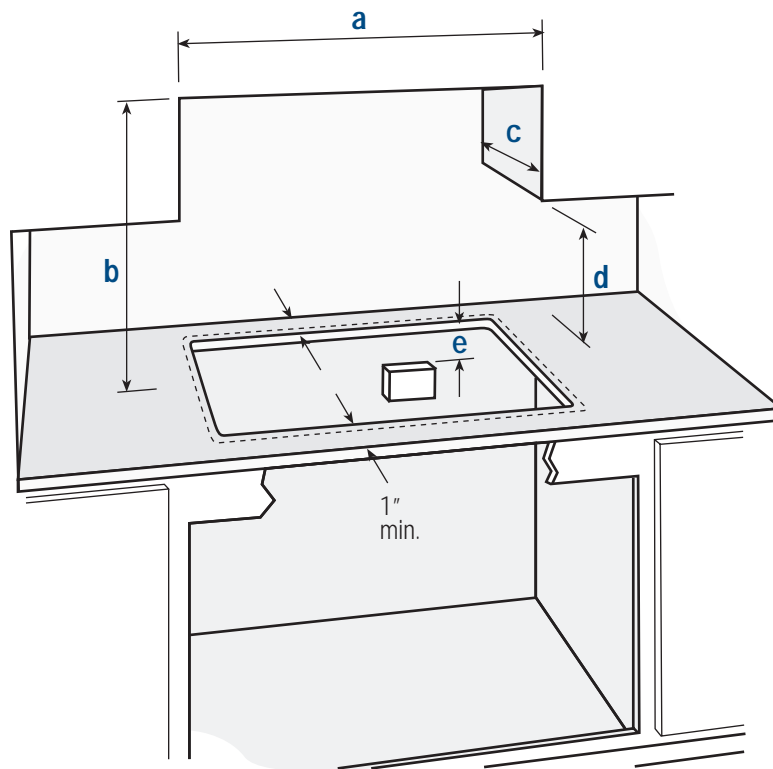


PRODUCT AND CUTOUT DIMENSIONS



CE901/CE901M

- A** 36" (914mm)
- B** 21¹/₂" (546mm)
- C** 3¹/₈" (80mm)
- D** 19¹/₂" (494mm) [18¹/₈" - 20⁵/₈"]
- E** 34¹/₄" (870mm) [33⁷/₈" - 35¹/₄"]
- F** R³/₈" (10mm)
- G** 1" (25mm) min. to front of counter
- H** ⁵/₈ - 1³/₄" (15 - 43mm) countertop thickness
(to use clamping brackets)



PREPARING THE CUTOUT

Ensure the countertop is square and level and ensure no structural members interfere with space requirements.

- a** 36" min between overhead cupboards
- b** 30" minimum clearance between the top of the cooking surface and the bottom of an unprotected wood or metal cabinet. Alternatively, **b** = 24" minimum when bottom of wood or metal cabinet is protected by not less than 1/4"-thick flame-retardant millboard covered with not less than No. 28 MSG sheet steel, 0.015-inch-thick stainless steel, 0.024-inch-thick aluminum, or 0.020-inch-thick copper.
- c** 13" max depth of unprotected cabinet.
- d** 18" min height from countertop to nearest overhead cabinet beside unit.
- e** 9" min below bench to junction box

To eliminate risk of burns or fire by reaching over heated surface units, cabinet storage space located above the surface units should be avoided. If cabinet storage is to be provided, the risk can be reduced by installing a range hood that projects horizontally a minimum of 5" beyond the bottom of the cabinets.

Allow a 2 inch clearance between the bottom of the cooktop and any combustible surface, including the upper edge of a drawer installed below the cooktop.

The cooktop can be installed above a Fisher & Paykel DishDrawer® or OS301 single wall oven if a 3/8" (10mm) gap is provided between the bottom of the cooktop and the top of the DishDrawer® or oven.

Your cooktop is supplied with a 4' flexible metal conduit.

DO NOT SHORTEN THE CONDUIT

The junction box should be installed where it can be accessed after installation. Ensure there is adequate slack in the conduit to allow for servicing.