

User guide

Freestanding range

Guide d'utilisation

Cuiseur indépendant

OR36SDBGX model

US CA

	<div style="text-align: center;">  <h2 style="margin: 0;">WARNING</h2> </div> <ul style="list-style-type: none"> • ALL RANGES CAN TIP • INJURY TO PERSON COULD RESULT • INSTALL ANTI-TIP DEVICE PACKED WITH RANGE • SEE INSTALLATION INSTRUCTIONS
---	--



WARNING!

NEVER use this appliance as a space heater to heat or warm the room. Doing so may result in carbon monoxide poisoning and overheating of the oven.

WARNING: IF THE INFORMATION IN THIS MANUAL IS NOT FOLLOWED EXACTLY, A FIRE OR EXPLOSION MAY RESULT CAUSING PROPERTY DAMAGE, PERSONAL INJURY, OR DEATH.

- ✓ Do not store or use gasoline or other flammable vapors and liquids in the vicinity of this or any other appliance.
- ✓ **WHAT TO DO IF YOU SMELL GAS:**
 - Do not try to light any appliance.
 - Do not touch any electrical switch; do not use any phone in your building.
 - Immediately call your gas supplier from a neighbor's phone. Follow the gas supplier's instructions.
 - If you cannot reach your gas supplier, call the fire department.
- ✓ Installation and service must be performed by a qualified installer, service agency, or the gas supplier.

This appliance is designed and manufactured solely for the cooking of domestic (household) food and is not suitable for any non-domestic application and therefore should not be used in a commercial environment.

The appliance guarantee will be void if the appliance is used within a non-domestic environment i.e. a semi-commercial, commercial or communal environment.

Dear Customer,

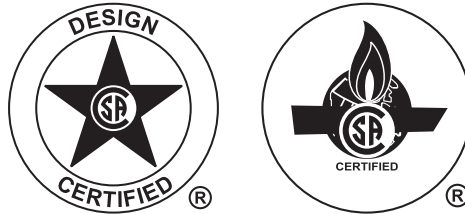
Thank you for having purchased and given your preference to our product.

The safety precautions and recommendations reported below are for your own safety and that of others. They will also provide a means by which to make full use of the features offered by your appliance.

Please preserve this booklet carefully. It may be useful in future, either to yourself or to others in the event that doubts should arise relating to its operation.

This appliance must be used only for the task it has explicitly been designed for, that is for cooking foodstuffs. Any other form of usage is to be considered as inappropriate and therefore dangerous.

The manufacturer declines all responsibility in the event of damage caused by improper, incorrect or illogical use of the appliance.



IMPORTANT - PLEASE READ AND FOLLOW

- ✓ Before beginning, please read these instructions completely and carefully.
- ✓ Do not remove permanently affixed labels, warnings, or plates from the product. This may void the warranty.
- ✓ Please observe all local and national codes and ordinances.
- ✓ Please ensure that this product is properly grounded.
- ✓ The electrical plug should always be accessible.
- ✓ **The installer should leave these instructions with the consumer who should retain for local inspector's use and for future reference.**

Installation must conform with local codes or in the absence of codes, the National Fuel Gas Code ANSI Z223.1 - latest edition. Electrical installation must be in accordance with the National Electrical Code, ANSI/NFPA 70 - latest edition and/or local codes. IN CANADA: Installation must be in accordance with the current CAN/CGA-B149.1 National Gas Installation Code or CAN/CGA-B149.2, Propane Installation Code and/or local codes. Electrical installation must be in accordance with the current CSA C22.1 Canadian Electrical Codes Part 1 and/or local codes.

INSTALLATION IN MANUFACTURED (MOBILE) HOME: The installation must conform with the Manufactured Home Construction and Safety Standard, Title 24 CFR, Part 3280 [formerly the Federal Standard for Mobile Home Construction and Safety, Title 24, HUD (Part 280)] or, when such standard is not applicable, the Standard for Manufactured Home Installations, ANSI/NCSBCS A225.1, or with local codes where applicable.

INSTALLATION IN RECREATIONAL PARK TRAILERS: The installation must conform with state or other codes or, in the absence of such codes, with the Standard for Recreational Park Trailers, ANSI A119.5.

Installation of any gas-fired equipment should be made by a licensed plumber. A manual gas shut-off valve must be installed in the gas supply line ahead of the appliance in the gas stream for safety and ease of service.

If an external electrical source is utilized, the appliance, when installed, must be electrically grounded in accordance with local codes or, in the absence of local codes, with the national Electrical Code, ANSI/NFPA 70.

**This range is supplied with a protective film on steel and aluminium parts.
This film must be removed before installing/using the appliance.**

THIS RANGE IS FOR RESIDENTIAL USE ONLY

USER INSTRUCTIONS

GENERAL INFORMATION



WARNING!!

1. This appliance shall not be used for space heating. This information is based on safety considerations.
2. All openings in the wall behind the appliance and in the floor under the appliance shall be sealed.
3. Keep appliance area clear and free from combustible materials, gasoline, and other flammable vapors.
4. Do not obstruct the flow of combustion and ventilation air.
5. Disconnect the electrical supply to the appliance before servicing.
6. When removing appliance for cleaning and/or service;
 - A. Shut off gas at main supply.
 - B. Disconnect AC power supply.
 - C. Disconnect gas line to the inlet pipe.
 - D. Carefully remove the range by pulling outward.
CAUTION: Range is heavy; use care in handling.
7. **Electrical Requirement**

Electrical installation should comply with national and local codes.
8. **Air Supply and Ventilation**

The installer must refer to local/national codes.
9. **Gas Manifold Pressure**

Natural gas - 4.0" W.C.P.
LP/Propane - 11.0" W.C.P.
10. The misuse of oven door (e.g. stepping, sitting, or leaning on them) can result in potential hazards and/or injuries.
11. When installing or removing the range for service, a rolling lift jack should be used. Do not push against any of the edges of the range in an attempt to slide it into or out of the installation. Pushing or pulling a range (rather than using a lift jack) also increases the possibility of bending the leg spindles or the internal coupling connectors.



WARNING!!

ELECTRICAL GROUNDING INSTRUCTIONS

The range must be electrically grounded in accordance with local codes or, in the absence of local codes, with the National Electrical Code, ANSI/NFPA No. 70-latest edition. Installation should be made by a licensed electrician.

FOR PERSONAL SAFETY, THIS APPLIANCE MUST BE PROPERLY GROUNDED.

If an external electrical source is utilized, the installation must be electrically grounded in accordance with local codes or, in the absence of local codes, with the national Electrical Code, ANSI/NFPA 70.

This appliance is equipped with a three-prong grounding plug for your protection against shock hazard and should be plugged directly into a properly grounded socket.

Do not under any circumstances cut or remove the third (ground) prong from the power plug.

REPLACEMENT PARTS


Only authorized replacement parts may be used in performing service on the range. Replacement parts are available from factory authorized parts distributors. Contact the nearest parts distributor in your area.

IMPORTANT PRECAUTIONS AND RECOMMENDATIONS

After having unpacked the appliance, check to ensure that it is not damaged.

In case of doubt, do not use it and consult your supplier or a professionally qualified technician.

Packing elements (i.e. plastic bags, polystyrene foam, nails, packing straps, etc.) should not be left around within easy reach of children, as these may cause serious injuries.

The packaging material is recyclable and is marked with the recycling symbol .

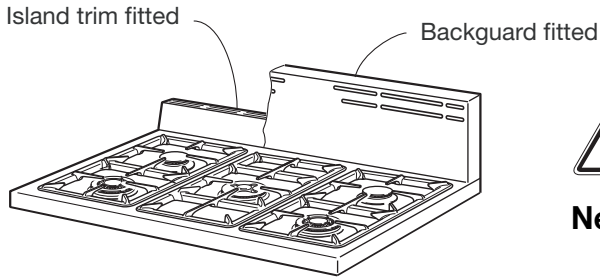
- ✓ Do not attempt to modify the technical characteristics of the appliance as this may become dangerous to use.
- ✓ Do not carry out cleaning or maintenance operations on the appliance without having previously disconnected it from the electric power supply.
- ✓ After use, ensure that the knobs are in **OFF** position.
- ✓ Do not allow children or other incapable people to use the appliance without supervision.
- ✓ During and after use of the range, certain parts will become very hot. Do not touch hot parts.
- ✓ Keep children away from the range when it is in use.
- ✓ This range is supplied with a protective film on steel and aluminium parts. This film must be removed before installing/using the appliance.
- ✓ **Fire risk!** Do not store flammable material in the oven, and in the storage compartment.
- ✓ Make sure that electrical cables connecting other appliances in the proximity of the range cannot come into contact with the hob or become entrapped in the oven door.
- ✓ Do not line the oven walls with aluminium foil. Do not place shelves, broiler pan, pans or other cooking utensils on the base of the oven chamber.
- ✓ The manufacturer declines all liability for injury to persons or damage to property caused by incorrect or improper use of the appliance.
- ✓ To avoid any possible hazard, the appliance must be installed by qualified personnel only. Any repairs by unqualified persons may result in electric shock or short circuit. In order to avoid possible injuries to your body or to the appliance, do not attempt any repairs by yourself. Such work should be carried out by qualified service personnel only.
- ✓ **Danger of burns!** The oven and cooking accessories may become very hot during operation. Make sure children are kept out of reach and warn them accordingly. To avoid burns use kitchen clothes and gloves when handling hot parts or utensils.
- ✓ Stand away from the range when opening oven door. Hot air or steam which escapes can cause burns to hands, face, and/or eyes.
- ✓ Never clean the range, oven and storage compartment with a high-pressure steam cleaning device, as it may provoke a short circuit.
- ✓ This appliance is intended for use in your household. Never use the appliance for any other purpose!
- ✓ If you should decide not to use this appliance any longer (or decide to substitute an older model), before disposing of it, it is recommended that it be made inoperative in an appropriate manner in accordance to health and environmental protection regulations, ensuring in particular that all potentially hazardous parts be made harmless, especially in relation to children who could play with old appliances. Remove the door and the storage compartment pivoting panel before disposal to prevent entrapment.

IMPORTANT PRECAUTIONS AND RECOMMENDATIONS FOR USE OF ELECTRICAL APPLIANCES

Use of any electrical appliance implies the necessity to follow a series of fundamental rules. In particular:

- ✓ Never touch the appliance with wet hands or feet;
- ✓ Do not operate the appliance barefooted;
- ✓ Do not allow children or disabled people to use the appliance without your supervision.

The manufacturer cannot be held responsible for any damages caused by improper, incorrect or unreasonable use of the appliance.



WARNING - VERY IMPORTANT NOTICE



Never obstruct the slots on the backguard / island trim.

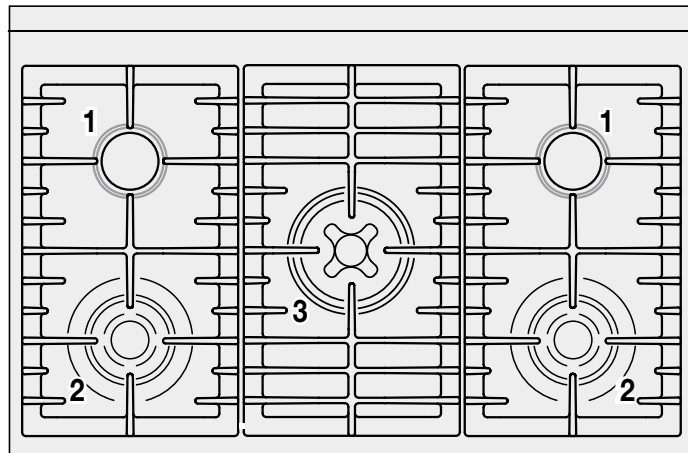


Fig. 1.1

COOKING HOB

- 1. Semi-rapid burner (SR) - 6000 BTU/hr
- 2. Triple-ring burner (TR) - 12000 BTU/hr-
- 3. Dual burner (D) - 16000 BTU/hr (Natural gas),
15000 BTU/hr (LP/Propane)-

Note:

- The electric gas-lighting device is incorporated into the knobs.
- The appliance has a safety valve system fitted, the flow of gas will be stopped if and when the flame should accidentally go out.

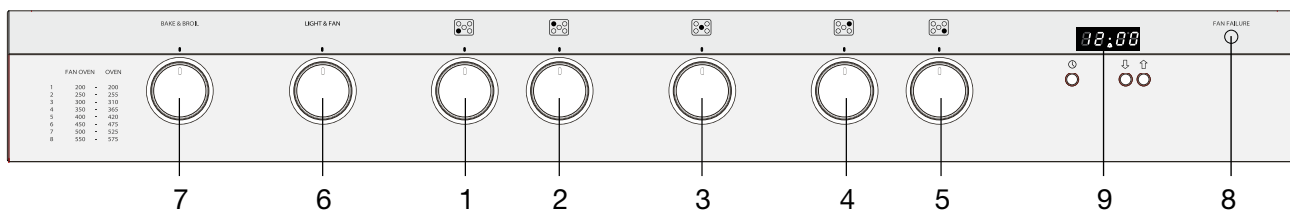
CAUTION:

If the burner is accidentally extinguished, turn the gas off at the control knob and wait at least 1 minute before attempting to relight.

CAUTION:




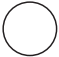



Gas appliances produce heat and humidity in the environment in which they are installed. Ensure that the cooking area is well ventilated following national/local codes.

Fig. 1.2

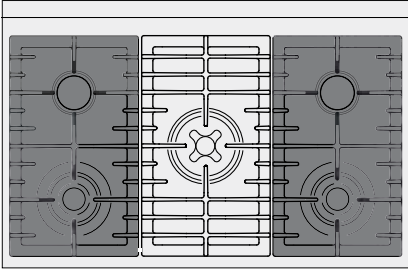


CONTROLS DESCRIPTION

- 1. Front left burner (2) control knob
- 2. Rear left burner (1) control knob
- 3. Central dual burner (3) control knob
- 4. Rear right burner (1) control knob
- 5. Front right burner (2) control knob
- 6. Oven light & fan control knob
- 7. Gas oven/gas broil control knob
- 8. Cooling fan failure warning light
- 9. Electronic clock/electronic alarm

 WARNING 		<h1>COOLING FAN WARNING LIGHT</h1>	
<h2>VERY IMPORTANT NOTICE</h2>			
 FAN FAILURE 	When the cooling fan failure warning light is OFF the cooling fan motor is correctly operating. The burners of the cooking hob and the gas oven can be used.	Operate the cooking hob burners and the oven as per instruction manual.	
 FAN FAILURE 	When the cooling fan failure warning light is lighted this indicates the malfunctioning of the cooling fan motor. The gas oven cannot be used. Only the burners of the cooking hob can be used.	Contact the After-Sales Service. 	

how to use the top burners



GAS BURNERS (Semi-rapid and triple ring)

Gas flow to the burners is adjusted by turning the knobs (illustrated in fig. 2.1) which control the valves.

Turning the knob so that the symbols printed on itself point to the symbol printed on the control panel achieves the following functions:

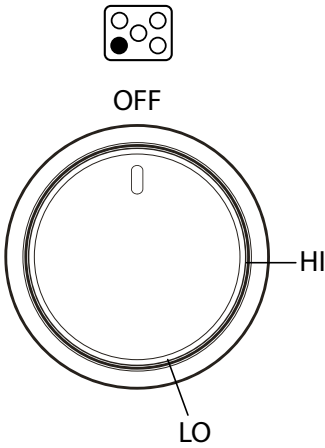


Fig. 2.1

Knob position	Function	SEMI-RAPID burner	TRIPLE RING burner
OFF	closed valve		
HI	maximum rate		
LO	minimum rate		

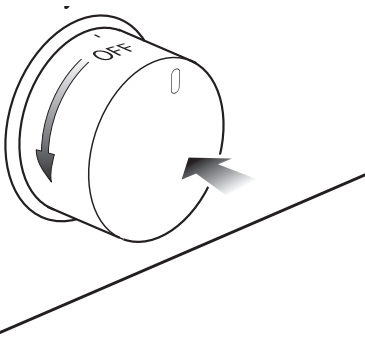


Fig. 2.2

The maximum aperture position permits rapid boiling of liquids, whereas the minimum aperture position allows simmer warming of food or maintaining boiling conditions of liquids.

To reduce the gas flow to minimum, rotate the knob further anti-clockwise to point the indicator towards the LO position.

Other intermediate operating adjustments can be achieved by positioning the indicator between the maximum and minimum aperture positions, and never between the maximum aperture and OFF positions.

N.B. When the range is not being used, set the gas knobs to their OFF positions and also close the gas shut-off valve placed on the main gas supply line.

LIGHTING GAS BURNERS FITTED WITH FLAME FAILURE SAFETY DEVICE (Semi-rapid and triple ring)

In order to light the burner, you must:

- 1 – Push and turn the knob in an anti-clockwise direction up to the HI position (maximum rate), push in and hold the knob until the flame has been lit.
The sparks produced by the lighter situated inside the relative burner will light the flame.
In the event that the local gas supply conditions makes it difficult to light the burner in HI position, try again with the knob in LO position.
If there is no mains electrical supply, bring a lighted match close to the burner.
- 2 – Wait for about ten seconds after the gas burner has been lit before letting go the knob (safety device activation delay).
- 3 – Adjust the gas valve to the desired position.

If the burner flame should go out for some reason, the safety valve will automatically stop the gas flow.

To re-light the burner, return the knob to the closed OFF position, **wait for at least 1 minute** and then repeat the lighting procedure.

If your local gas supply makes it difficult to light the burner with the knob set to maximum, set the knob to minimum and repeat the operation.

Caution!

The range becomes very hot during operation.
Keep children well out of reach.

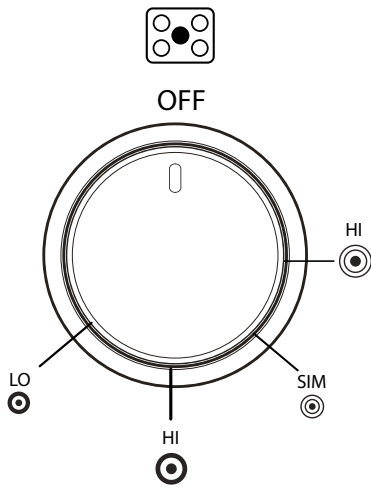
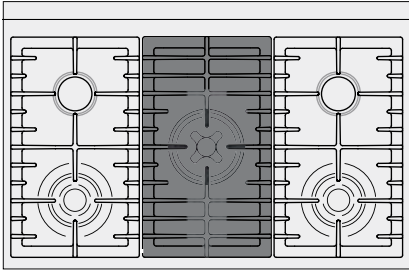


Fig. 2.3

GAS BURNERS (Dual)

The Dual Burner is a very flexible burner which allows different regulations and optimal cooking.

It is composed by one inner and two outer crowns; the flame of the inner crown can be regulated separately from the flames of the outer crowns.

The Dual Burner can be used:

- as a small burner (flame produced only by the inner crown) which can be adjusted from the maximum ^{HI} to the minimum ^{SIM} position. Intermediate operating adjustments can be achieved by positioning the indicator between the maximum and minimum opening positions, and never between the maximum opening and OFF position.
- as a high-power burner (all flames produced simultaneously by inner and outer crowns) which can be adjusted from the maximum ^{HI} to the minimum ^{LO} position.

Gas flow to the burners is adjusted by turning the knobs (illustrated in fig. 2.3) which control the valves.

Turning the knob so that the symbols printed on itself point to the symbol printed on the control panel achieves the following functions:

To change from using the inner crown only to using both the inner and outer crowns together, press the control knob down before turning it. You have to do the same when going from using both crowns to using just the inner crown.

Knob position	Function	DUAL burner
OFF	closed valve	
^{HI}	maximum rate of inner crown (only inner flame at the maximum)	
^{SIM}	minimum rate of inner crown (only inner flame at the minimum)	
^{HI}	maximum rate of inner + outer crowns (inside and outside flames in simultaneously at the maximum)	
^{LO}	minimum rate of inner + outer crowns (inside and outside flames in simultaneously at the minimum)	

LIGHTING GAS BURNERS FITTED WITH FLAME FAILURE SAFETY DEVICE (Dual Burner)

In order to light the burner, you must:

- 1 – Push and turn the knob in an anti-clockwise direction up to the ^{HI} position (maximum rate of inner crown); push in and hold the knob until the flame has been lit.
The sparks produced by the lighter situated inside the relative burner will light the flame.
In the event that the local gas supply conditions makes it difficult to light the burner in ^{HI} position, try again with the knob in ^{3M} position.
If there is no mains electrical supply connection, bring a lighted match close to the burner.
- 2 – Wait for about ten seconds after the gas burner has been lit before letting go the knob (safety device activation delay).
- 3 – Adjust the gas valve to the desired position.

If the burner flame should go out for some reason, the safety valve will automatically stop the gas flow.

To re-light the burner, return the knob to the closed position OFF, **wait for at least 1 minute** and then repeat the lighting procedure.

N.B. When the range is not being used, set the gas knobs to their OFF positions and also close the gas shut-off valve placed on the main gas supply line.

CAUTION!

The range becomes very hot during operation. Keep children well out of reach.

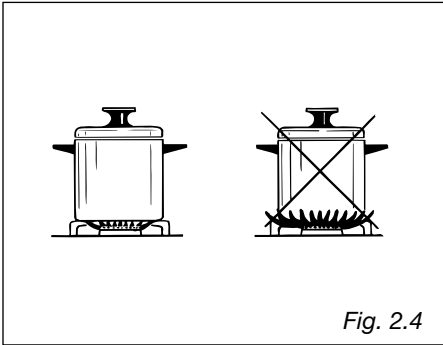


Fig. 2.4

CHOICE OF BURNER (fig. 2.4)

The symbols printed on the panel above the gas knobs indicate the correspondence between the knob and the burner.

The most suitable burner is to be chosen according to the diameter and volume capacity of the container to be warmed.

It is important that the diameter of the pots or pans suitably match the heating potential of the burners in order not to jeopardise the efficiency of the burners, bringing about a waste of gas fuel.

A small diameter pot or pan placed on a large burner does not necessarily mean that boiling conditions are reached quicker.

DIAMETERS OF PANS WHICH MAY BE USED ON THE HOB BURNERS

BURNER	MINIMUM	MAXIMUM
Semi-rapid	16 cm (6" 19/64)	24 cm (9" 7/16)
Triple-ring	26 cm (10" 3/16)	28 cm (11" 1/16)
Dual	26 cm (10" 3/16)	28 cm (11" 1/16)
Wok pans min 36 cm (14" 3/16) - max 40 cm (15" 3/4)		

Do not use pans with concave or convex bases (apart from wok pans used with the special pan-support fitted)

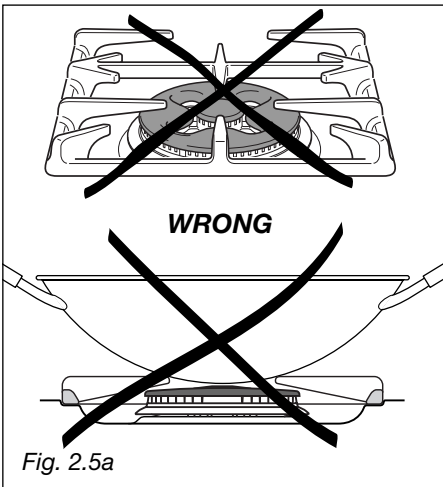


Fig. 2.5a

CORRECT USE OF DUAL BURNER (Fig.-2.5a - 2.5b)

The flat-bottomed pans are to be placed directly onto the pan-support.

When using a WOK you need to place the supplied stand in the burner to avoid any faulty operation of the dual burner (Figs.-2.5a - 2.5b).

IMPORTANT:

The special grille for wok pans (fig. 2.5b) **MUST BE PLACED ONLY** over the pan-rest for the dual burner.

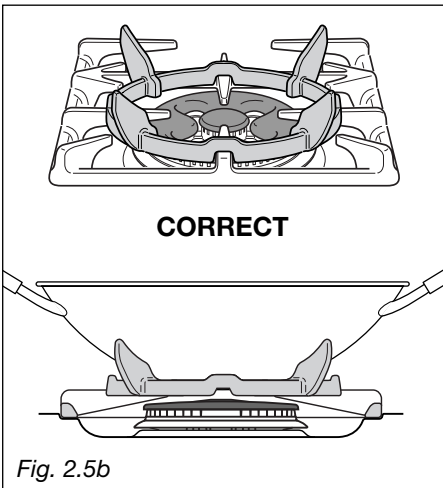
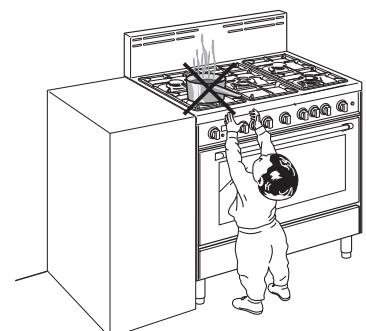


Fig. 2.5b



Make sure that the handles of cookware do not stick out over the edge of the range, to avoid them being knocked over by accident. This also makes it more difficult for children to reach the cooking vessels.



GENERAL FEATURES

The gas oven is provided with:

- a) Oven burner, mounted on the lower part of the oven (21000 BTU/hr).
- b) Broil burner, mounted on the upper part of the oven (15000 BTU/hr).
- c) Fan motor which can be used in combination with the oven burner or separately (without heating). **It is not possible to use the fan motor in combination with the broil burner: a safety device switches off the fan motor when the gas oven/broil control knob is turned on broil position.**
- d) Light that illuminates the oven to enable visually controlling the food that is cooking.

Attention: the range becomes very hot during operation.

Attention: the oven door becomes very hot during operation.

Keep children away.

WARNING:
The door is hot, use the handle.

OPERATING PRINCIPLES

Heating and cooking are obtained in the following ways:

- a. **by normal convection**
The heat is produced by the oven burner.
- c. **by forced convection**
The heat produced by the oven burner is distributed throughout the oven by the fan. The hot air envelops the food in the oven, provoking a complete and rapid cooking.
It is possible to cook several dishes simultaneously.
- d. **by radiation**
The heat is irradiated by the infra red broil burner.
- f. **by ventilation** (this is not a cooking function)
The food is defrosted by using the fan only without oven burner.

N.B. When the range is not being used, set the gas knobs to their OFF positions and also close the gas shut-off valve placed on the main gas supply line.

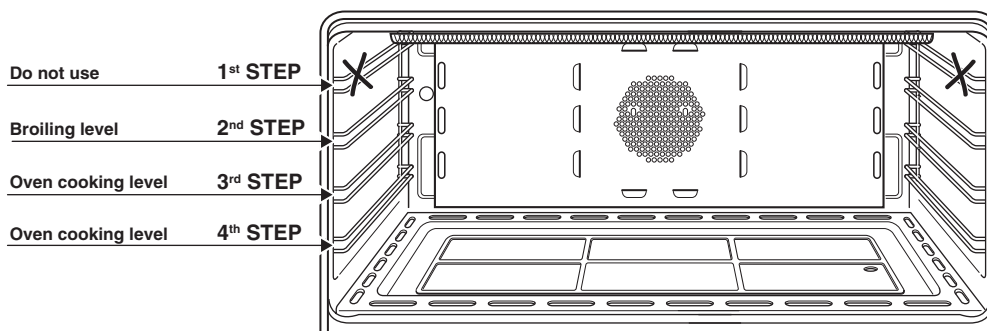
VERY IMPORTANT

The oven/broil shall be used always with the oven door closed.

USING THE OVEN FOR THE FIRST TIME

It is advised to follow these instructions:

- Furnish the interior of the oven by placing the wire racks as described at chapter "Cleaning and maintenance".
- Insert shelves and tray.
- Turn the oven on to the maximum temperature 8 to eliminate possible traces of grease from the oven burner. The same operation should be followed for broil burner.
- Switch off the electrical supply, let the oven cool down, then clean the interior of the oven with cloth soaked in water and detergent (neutral) then dry carefully.



BAKE & BROIL

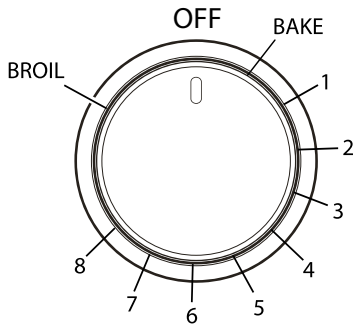


Fig. 3.1

OVEN BURNER

It carries out normal “oven cooking”.

The gas flow to the burner is regulated by a thermostat which allow to maintain the oven temperature constant.

The control of the temperature is assured by a thermostatic probe positioned inside the oven.

The probe must be always kept in its housing, in a clean condition, as an incorrect position or encrustment may cause an alteration in the control of the temperature.

OVEN THERMOSTAT

The numbers printed on the control knob (fig. 3.1) indicate the increasing oven temperature value (see temperature table near the control knob - fig. 3.1).

Left column of the temperature table refers to oven burner used in combination with the fan motor while right column refers to oven burner used in the normal convection mode (without fan motor).

To regulate the temperature, set the chosen number onto the control panel indicator.

The position BROIL serves only to turn on the broil burner.

FAN OVEN OVEN

1	200	-	200
2	250	-	255
3	300	-	310
4	350	-	365
5	400	-	420
6	450	-	475
7	500	-	525
8	550	-	575

OVEN LIGHT AND FAN MOTOR

The oven light and the fan motor are controlled by a switch knob on the control panel (fig. 3.2). To light up the oven lamp turn the knob anti-clockwise to LIGHT position.

To operate the fan motor turn the knob clockwise to LIGHT & FAN position.

In this setting also the oven lamp is lighted.

WARNING: The switch knob can be turned only clockwise from OFF to LIGHT & FAN position and anti-clockwise from OFF to LIGHT position.

The switch knob **DO NOT TURN** from LIGHT & FAN to LIGHT position. **DO NOT FORCE.**

IMPORTANT NOTE: The fan motor can be used in combination only with the oven burner. A safety device switches off the fan motor when the gas oven/broil control knob is turned on BROIL position.

LIGHT & FAN

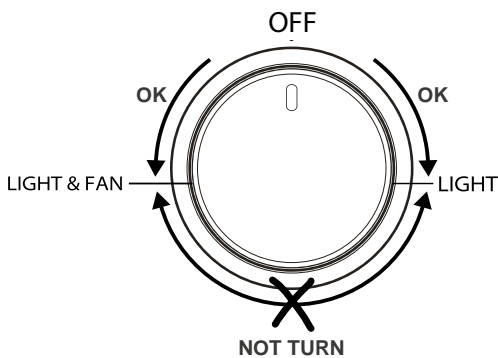


Fig. 3.2

IGNITION OF THE OVEN BURNER

IMPORTANT NOTE: during ignition of the oven burner the fan motor shall be switched off (light and fan control knob in OFF position - Fig. 3.2).

The thermostat allows the automatic control of the temperature.

The gas delivery to the oven burner is controlled by a two way thermostatic tap (oven and broil burners) with flame-failure device.

To light the oven burner operate as follows:

1) Open the oven door to its full extent.

WARNING: Risk of explosion! The oven door must be open during this operation.

2) Lightly press and turn the thermostat knob anti-clockwise to max position 8.

3) Press the knob right down to prime the electric ignition. Keep the knob pressed.

In case of power cut, press the knob and immediately approach a lighted match to the opening "A" (fig.-3.4).

Never continue this operation for more than 15 seconds. If the burner has still not ignited, wait for about 1 minute prior to repeating the ignition.

4) Wait about 10/15 seconds after the burner lighting before releasing the knob (time of priming of the valve).

5) Close the oven door slowly and adjust the burner according to the power required.

If the flame extinguishes for any reason, the safety valve will automatically shut off the gas supply to the burner.

To re-light the burner, first turn the oven control knob to position OFF, **wait for at least 1 minute and then repeat the lighting procedure.**

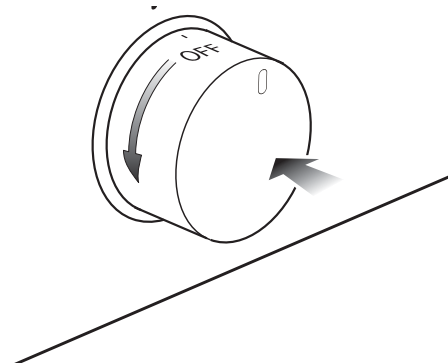


Fig. 3.3

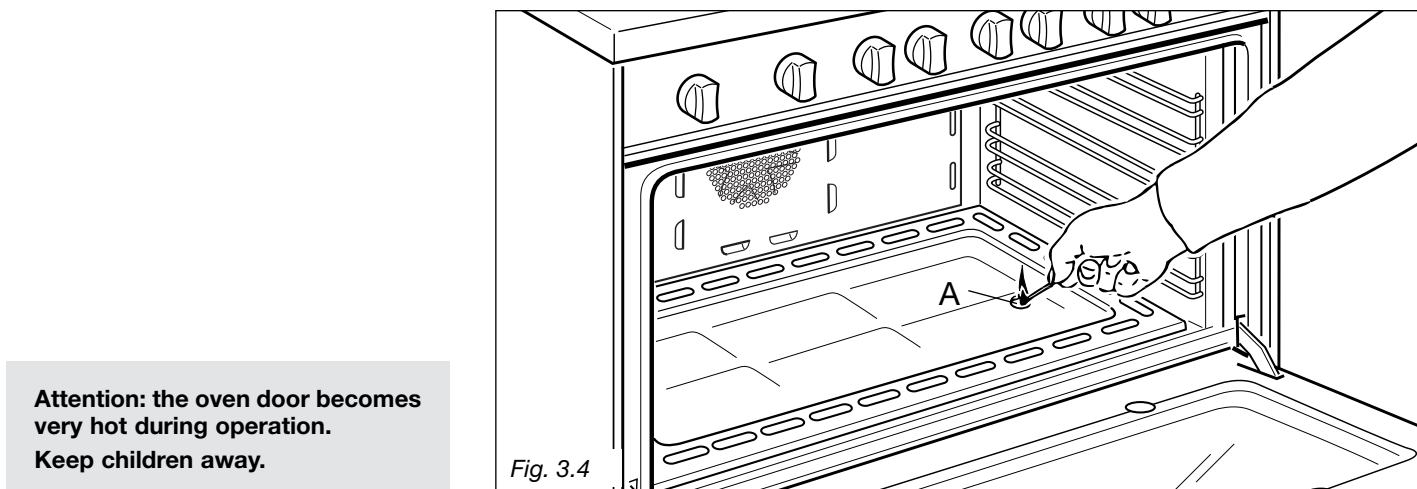


Fig. 3.4

Attention: the oven door becomes very hot during operation. Keep children away.

TRADITIONAL BAKING (OVEN BURNER WITHOUT FAN MOTOR)

Before introducing the food, preheat the oven to the desired temperature.

For a correct preheating operation, it is advisable to remove the tray from the oven and introduce it together with the food, when the oven has reached the desired temperature.

Check the cooking time and turn off the oven 5 minutes before the theoretical time to recuperate the stored heat.

Recommended for:

For foods which require the same cooking temperature both internally and externally, i.e. roasts, spare ribs, meringue, etc.

CONVECTION BAKING WITH VENTILATION (OVEN BURNER WITH FAN MOTOR)

After lighting the oven burner switch on the fan motor by turning the LIGHT & FAN control knob (fig. 3.2) on LIGHT & FAN position.

Before introducing the food, preheat the oven to the desired temperature.

For a correct preheating operation, it is advisable to remove the tray from the oven and introduce it together with the food, when the oven has reached the desired temperature.

Check the cooking time and turn off the oven 5 minutes before the theoretical time to recuperate the stored heat.

It is possible to cook various different foods at the same time. Fish, cakes and meat can be cooked together without the smells and flavours mixing.

The only precautions required are the following:

- The cooking temperatures must be as close as possible with a maximum difference of 70-80 °F (20-25 °C) between the different foods.
- Different dishes must be placed in the oven at different times according to the cooking time required for each one. This type of cooking obviously provides a considerable saving on time and energy.

Recommended for:

For foods of large volume and quantity which require the same internal and external degree of cooking; for ex: rolled roasts, turkey, legs, cakes, etc.

DEFROSTING FROZEN FOODS (ONLY FAN MOTOR)

With the oven burner control knob in OFF position turn the LIGHT & FAN control knob (fig.-3.2) on LIGHT & FAN position.

Only the fan and the oven lamp switch on. Defrosting takes place by the fan, without heating.

Recommended for:

To rapidly defrost frozen foods; 2.2 lbs (1 kg) requires about one hour.

The defrosting times vary according to the quantity and type of foods to be defrosted.

IGNITION OF THE BROIL BURNER

IMPORTANT NOTE: the fan motor cannot be used in combination with the broil burner. A safety device switches off the fan motor when the gas oven/broil control knob is turned on BROIL position.

The broil burner generates the infra-red rays for broiling.

To light the broil burner operate as follow:

1) Open the oven door to the full extent.

WARNING: Risk of explosion! The oven door must be open during this operation.

2) Lightly press and turn the thermostat knob clockwise to the BROIL position.

3) Press the knob right down to prime the electric ignition. Keep the knob pressed.

In case of power cut, press the knob and put a lighted match to the right and left side of the burner (fig. 3.6).

Never continue this operation for more than 15 seconds. If the burner has still not ignited, wait for about 1 minute prior to repeating the ignition.

4) Wait about 10/15 seconds after the burner lighting before releasing the knob (time of priming of the valve).

5) Close the oven door slowly.

If the flame extinguishes for any reason, the safety valve will automatically shut off the gas supply to the burner.

To re-light the burner, first turn the oven control knob to position OFF, **wait for at least 1 minute and then repeat the lighting procedure.**

Do always broil with oven door closed.

Attention: the oven door becomes very hot during operation. Keep children away.

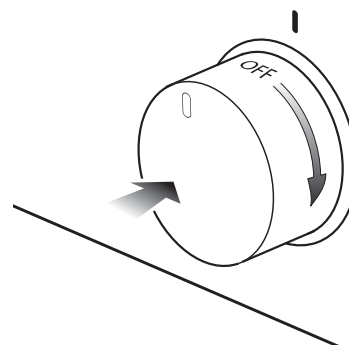


Fig. 3.5

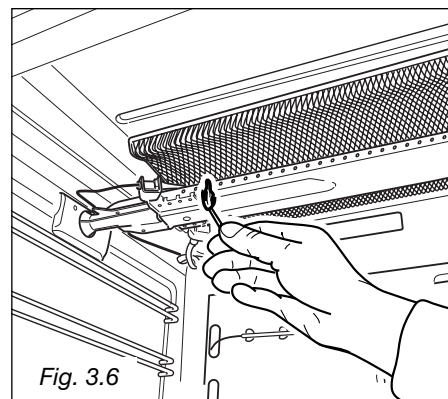


Fig. 3.6

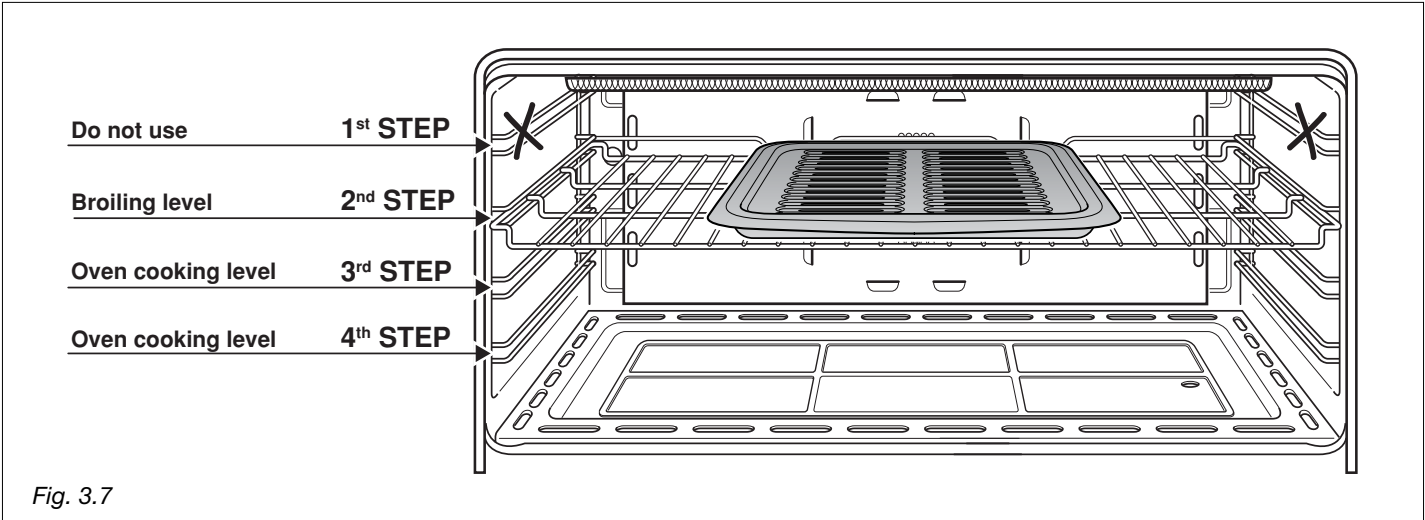


Fig. 3.7

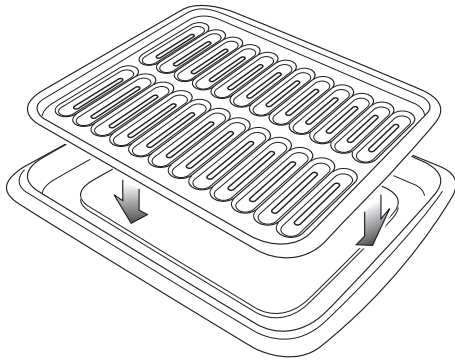


Fig. 3.8

BROILING

Very important: the broil burner must always be used with the oven door closed.

- Position the shelf on the second level from the top (fig. 3.7).
- Turn on the broil burner, as explained in the preceding paragraphs and let the broil burner preheat for about 5 minutes with the door closed.
- Place the food to be cooked above the broiling pan.
- Introduce the broiling pan in the oven (fig. 3.8). The broiling pan should be placed above the shelf and it should be centered with the broil burner (fig. 3.7).

Do not broil without using the broiling pan.

Important: Use always suitable protective gloves when inserting/removing the broiling pan, shelves, pans or other cooking utensils from the oven.

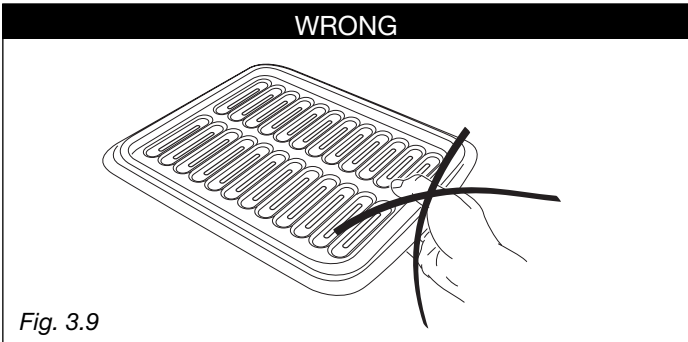


Fig. 3.9

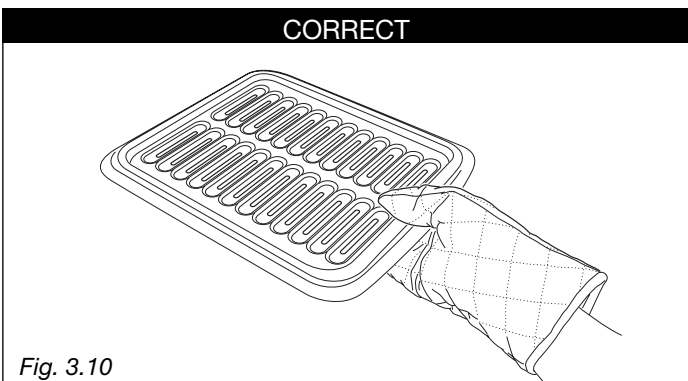


Fig. 3.10

ELECTRONIC CLOCK (fig. 4.1)

The electronic alarm is a device which groups the functions of 12 hours clock with illuminated display and 10 hours alarm.

Upon immediate connection of the cooker or after a blackout, **12•00** will flash on the display.

To set the hour it is necessary to push the ⌚ button and then, within 7 seconds, the ↓ or ↑ button until you have set the exact hour.

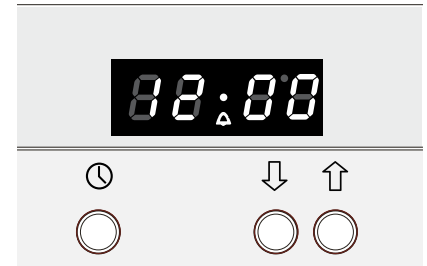


Fig. 4.1

SET TIME OF DAY

Push ⌚ button and then, within 7 seconds, the ↓ or ↑ button until you have set the exact hour. This function remains activated 7 seconds after the last pushing of ↓ or ↑ button.

Change the hours only: press the ⌚ button for 5 seconds until the hours display will flash.

Change the hours only by pushing the ↓ or ↑ button. The minutes and hidden seconds will not be affected.

ELECTRONIC ALARM

The alarm program consists only of a buzzer which may be set for a maximum period of 10 hours.

To set the time, push the ↓ or ↑ button until you obtain the desired time in the display.

From **0•10** to **99•50** you read the time in minutes and seconds (10 seconds step); then from **1•40** to **10•00** you read the time in hours and minutes (minutes step).

Having finished the setting, the ⏰ symbol will be lighted and the countdown will start immediately.

During countdown the timer has priority in the display. To show the time of day press ⌚ button. At the end of the time, the ⏰ symbol will be switched off and an intermittent buzzer, lasting 7 minutes, will sound; this can be stopped by pressing any button.

To stop the alarm countdown in any moment keep the ↓ button pressed until you read **0•00** on the display (symbol ⏰ switches off).

IMPORTANT WARNING: THIS IS ONLY AN ELECTRONIC ALARM. REMEMBER TO TURN OFF THE OVEN OR BROIL MANUALLY AT THE END OF COUNTDOWN.

SETTING THE FREQUENCY OF THE ALARM SOUND

The selection from 3 possibilities of sound can be made by pressing the ↓ button.

⚠ WARNING**Electrical Shock Hazard**

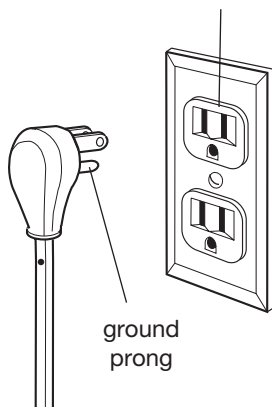
Plug into a grounded 3-prong outlet.

Do not remove ground prong.

Do not use an adapter.

Failure to follow these instructions can result in death, fire, or electrical shock.

3-prong polarized ground-type outlet

**WARNING
VERY IMPORTANT**

Before any operation of maintenance disconnect the appliance from the electrical mains supply.

Do not use steam jet cleaners because the humidity could infiltrate into the appliance making it dangerous.

GENERAL RECOMANDATION

- ✓ **Important:** Before any operation of cleaning and maintenance disconnect the appliance from the electrical supply.
- ✓ It is advisable to clean when the appliance is cold and especially for cleaning the enamelled parts.
- ✓ Avoid leaving alkaline or acidic substances (lemon juice, vinegar, etc.) on the surfaces.
- ✓ Avoid using cleaning products with a chlorine or acidic base.
The oven must always be cleaned after every use, using suitable products and keeping in mind that its operation for 30 minutes on the highest temperature eliminates most grime reducing it to ashes.

ENAMELLED PARTS

- ✓ All the enamelled parts must be cleaned with a sponge and soapy water only or other non-abrasive products.
Dry preferably with a chamois leather.

PAINTED PARTS AND SILK-SCREEN PRINTED SURFACES

- ✓ Clean using an appropriate product. Always dry thoroughly.

IMPORTANT: these parts must be cleaned very carefully to avoid scratching and abrasion. You are advised to use a soft cloth and neutral soap.

STAINLESS STEEL ELEMENTS

- ✓ Stainless steel parts must be rinsed with water and dried with a soft and clean cloth or with a chamois leather.
- ✓ For difficult dirt, use a specific non-abrasive product available commercially or a little hot vinegar.
- ✓ **Note: regular use could cause discolouring around the burners, because of the high flame temperature.**

INSIDE OF OVEN

- ✓ This must be cleaned regularly.
- ✓ With the oven warm, wipe the inside walls with a cloth soaked in very hot soapy water or another suitable product.

BURNERS AND GRIDS

- ✓ These parts can be removed and cleaned with appropriate products.
- ✓ After cleaning, the burners and their flame distributors must be well dried and correctly replaced.
- ✓ It is very important to check that the burner flame distributor and the cap has been correctly positioned - failure to do so can cause serious problems.
- ✓ Check that the probe next to each burner is always clean to ensure correct operation of the safety valves.
- ✓ In appliances with electric ignition keep the electrode clean so that the sparks always strike.
- ✓ **Note: To avoid damage to the electric ignition do not use it when the burners are not in place.**

REPLACING THE OVEN LIGHT

Before any maintenance is started involving electrical parts of the appliance, it must be disconnected from the power supply.

- ✓ Let the oven cavity and the broil burner cool down;
- ✓ Switch off the electrical supply;
- ✓ Remove the protective cover;
- ✓ Unscrew and replace the bulb with a new one suitable for high temperatures (300°C-570°F) having the following specifications: 120V 60 Hz, 15W, E14;
- ✓ Refit the protective cover.

NOTE: Oven bulb replacement is not covered by your guarantee.

CORRECT REPLACEMENT OF THE SEMI-RAPID BURNERS

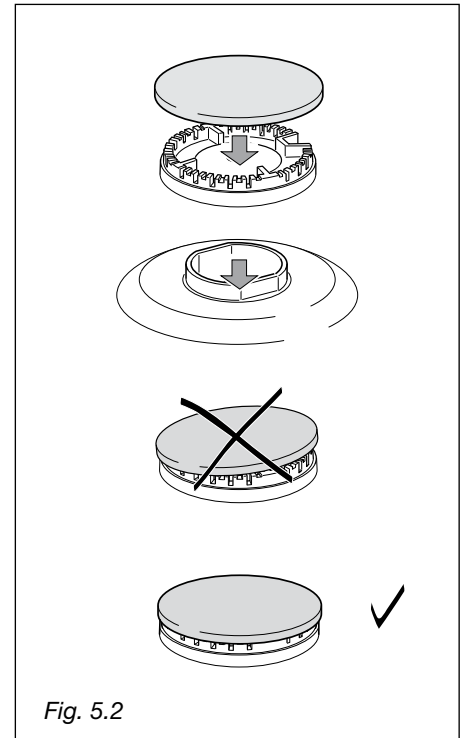
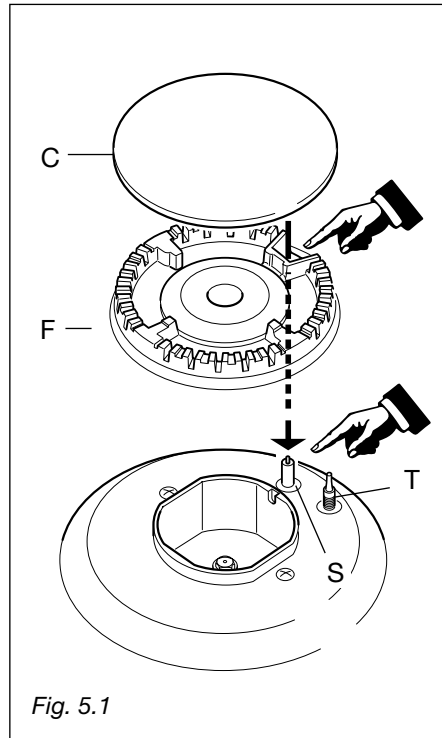
It is very important to check that the burner flame spreader "F" and the cap "C" have been correctly positioned (see figs. 5.1 and 5.2).

Failure to do so can cause serious problems.

In appliances with electric ignition, check that the electrode "S" (fig. 5.1) is always clean to ensure trouble-free sparking.

Check that the probe "T" (fig. 5.1) next to each burner is always clean to ensure correct operation of the safety valves.

Both the probe and ignition plug must be very carefully cleaned.

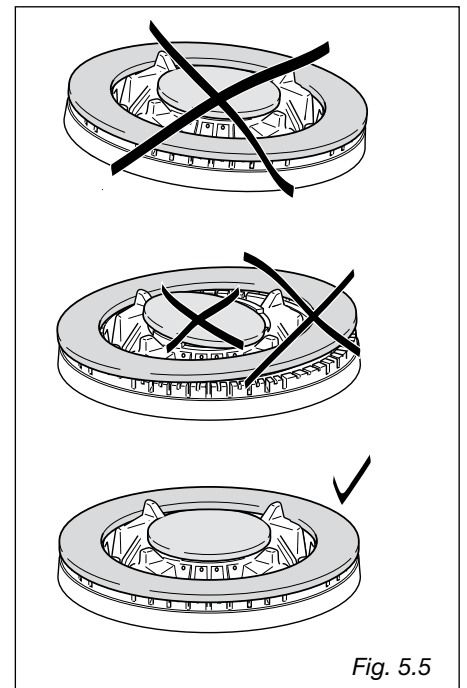
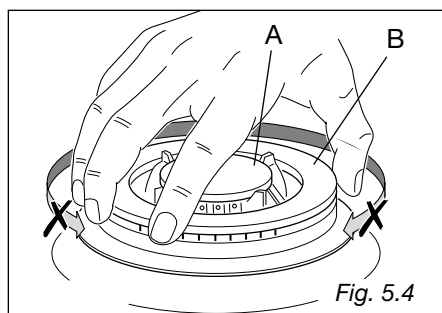
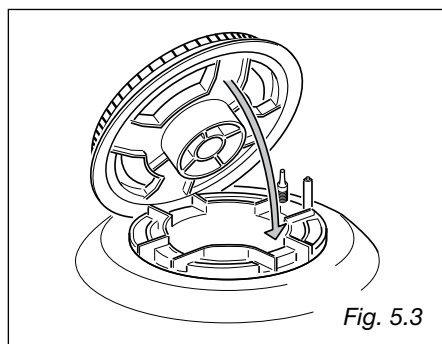


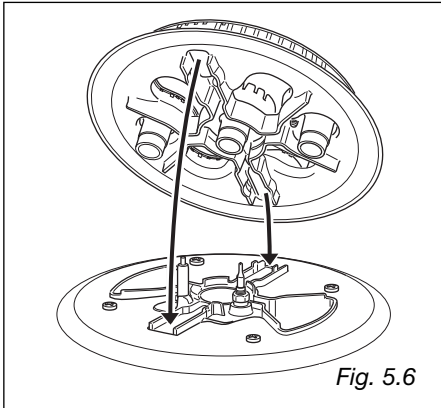
CORRECT POSITION OF TRIPLE RING BURNERS

The triple ring burner must be correctly positioned (see fig. 5.3); the burner rib must be fitted in their housing as shown by the arrow.

The burner correctly positioned must not rotate (fig. 5.4).

Then position the cap A and the ring B (fig. 5.4 - 5.5).





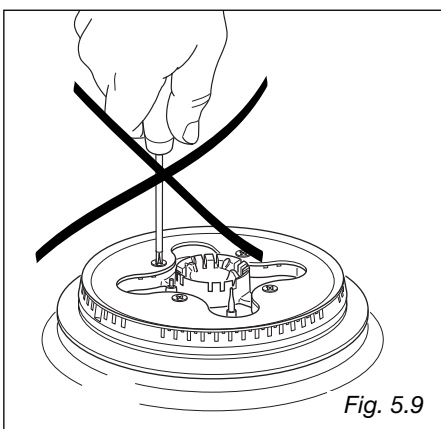
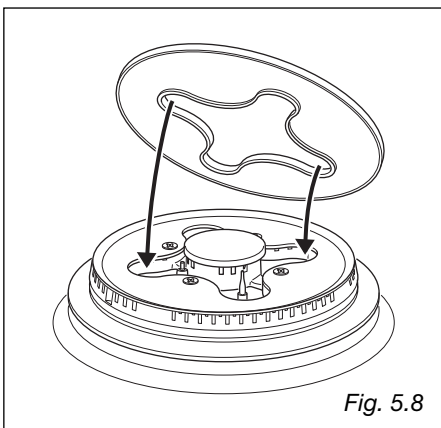
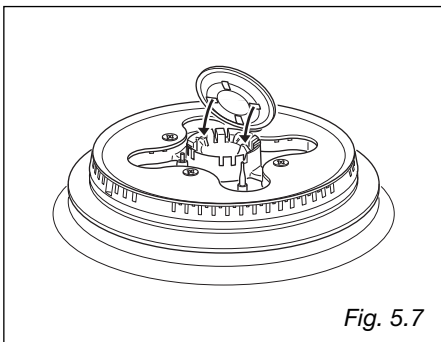
CORRECT POSITION OF DUAL BURNER

The DUAL burner must be correctly positioned (see fig. 5.6); the burner rib must be fitted as shown by the arrows.

Position the central small cap in its housing as shown by the arrows (fig. 5.7).

Position the big cap in its housing as shown by the arrows (fig. 5.8).

IMPORTANT: NEVER unscrew the burner screws (fig. 5.9).



GAS VALVES

In the event of operating faults in the gas valves, call the Service Department.

OVEN ACCESSORIES INSTALLATION AND REMOVAL

- Hang up the wire racks "G" on the oven walls (fig. 5.10).
- Slide in, on the guides, the shelves (fig. 5.11). Do not use the first step from the top. The rack must be fitted so that the safety catch, which stops it sliding out, faces the inside of the oven.
- Position the broiling pan above the oven shelf (see page 18).
- To dismantle, operate in reverse order.

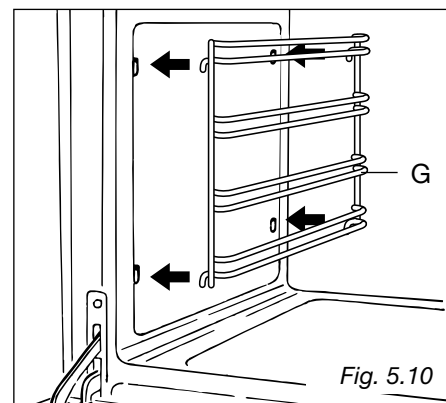


Fig. 5.10

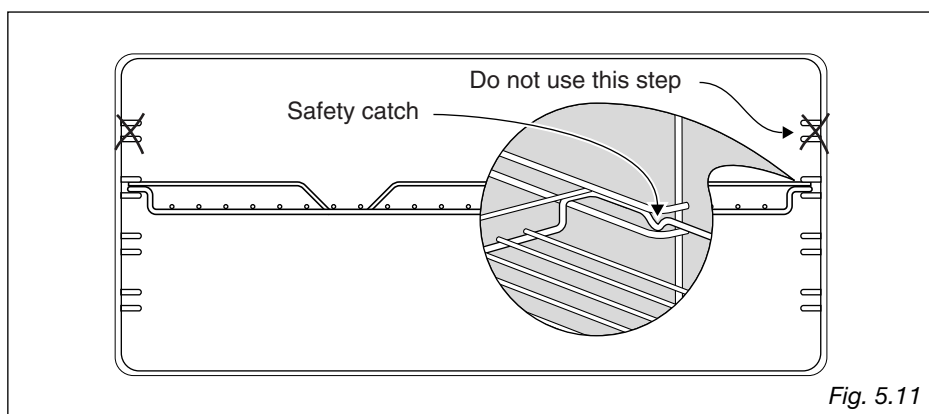


Fig. 5.11

OVEN DOOR

The internal glass panel can be easily removed for cleaning by unscrewing the retaining screws (Fig. 5.12)

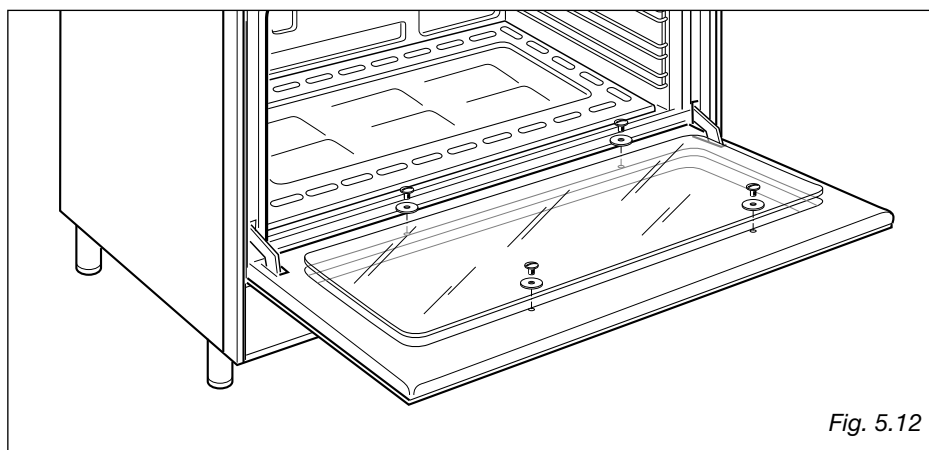


Fig. 5.12

STORAGE COMPARTMENT

The storage compartment is accessible through the pivoting panel (fig. 5.13).

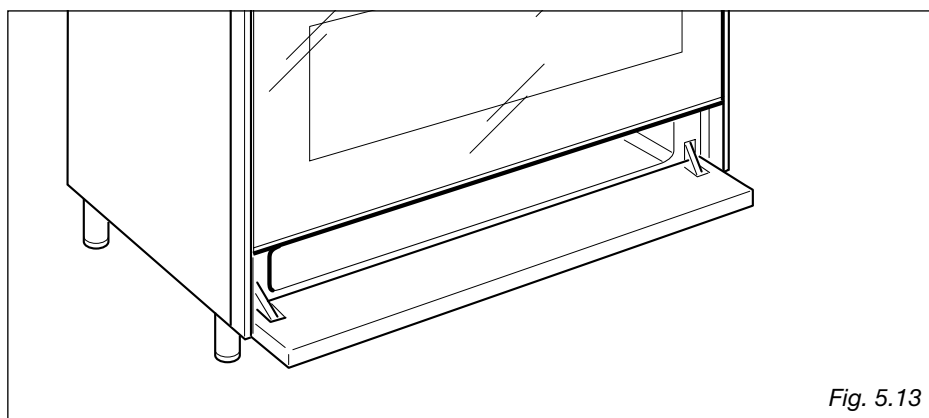
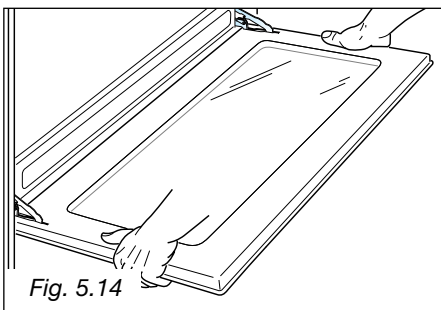
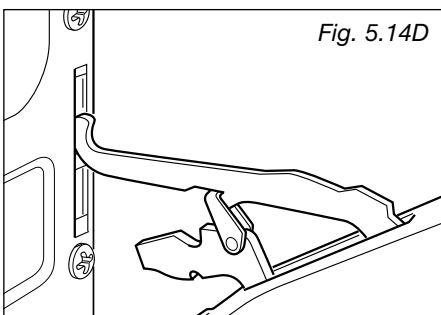
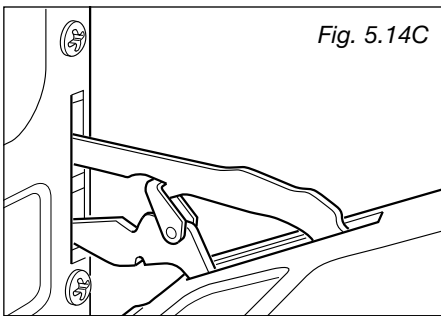
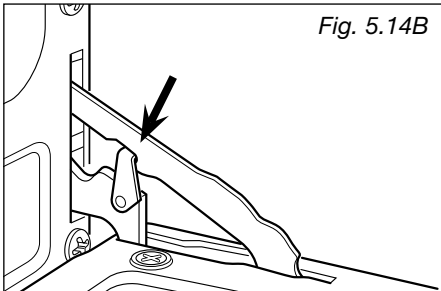
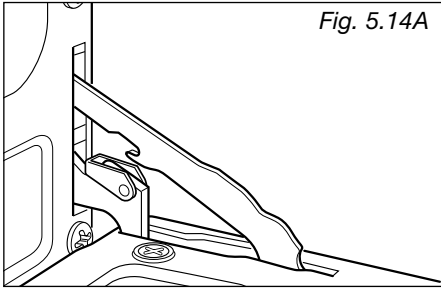


Fig. 5.13

WARNING!!
Do not store flammable material in the oven or in the storage compartment.



REMOVING THE OVEN DOOR

The oven door can easily be removed as follows:

- Open the door to the full extent (fig. 5.14A).
- Attach the retaining rings to the hooks on the left and right hinges (fig. 5.14B).
- Hold the door as shown in fig. 5.14.
- Gently close the door and withdraw the lower hinge pins from their location (fig. 5.14C).
- Withdraw the upper hinge pins from their location (fig. 5.14D).
- Rest the door on a soft surface.
- To replace the door, repeat the above steps in reverse order.

DO'S AND DO NOT'S

- Do always use the oven with the door closed.
- Do always broil with the door closed.
- Do read the user instructions carefully before using the range for first time.
- Do allow the oven to heat for about two hours, before using for the first time, in order to expel any smell from the new oven insulation, without the introduction of food.
- Do clean your oven regularly.
- Do remove spills as soon as they occur.
- Do always use oven gloves when removing food shelves and trays from the oven.
- Do not allow children near the range when in use.
- Do not allow fat or oils to build up in the oven base, or oven accessories.
- Do not place cooking utensils or plates directly onto the oven base.
- Do not place hot enamel parts in water. Leave them to cool first.
- Do not allow vinegar, coffee, milk, saltwater, lemon or tomato juice to remain in contact with enamel parts (i.e. inside the oven).
- Do not use abrasive cleaners or powders that will scratch the surface of the stainless steel and the enamel.
- Do not attempt to repair the internal workings of your range.
- Do remove the protective film before the first use.
- Fire risk! Do not store flammable material in the oven and in the storage compartment.
- Do not use the oven with the oven door open.
- Do not use the oven to warm or heat a room.

FOR YOUR SAFETY

Under no circumstances should any external covers be removed for servicing or maintenance except by suitably qualified personnel



AVERTISSEMENT

- TOUS LES TYPES DE CUISINIÈRE PEUVENT BASCULER
- CELA PEUT PROVOQUER DES BLESSURES
- INSTALLEZ LE DISPOSITIF ANTIBASCULEMENT FOURNI AVEC LA CUISINIÈRE
- CONSULTEZ LES INSTRUCTIONS D'INSTALLATION



AVERTISSEMENT

Ne vous servez **JAMAIS** de cet appareil comme d'un radiateur pour chauffer ou réchauffer une pièce. Cela peut entraîner une intoxication par le monoxyde de carbone et une surchauffe du four.

AVERTISSEMENT : SI L'INFORMATION CONTENUE DANS CE MANUEL N'EST PAS SUIVIE À LA LETTRE, UN INCENDIE OU UNE EXPLOSION PEUVENT SE PRODUIRE ET ENTRAÎNER DES DOMMAGES MATÉRIELS, DES BLESSURES OU MÊME LA MORT.

- ✓ Ne rangez pas et n'utilisez pas d'essence ou d'autres vapeurs et liquides inflammables à proximité de cet appareil ou de tout autre appareil électroménager.
- ✓ **QUOI FAIRE SI VOUS SENTEZ UNE ODEUR DE GAZ :**
 - N'essayez pas d'allumer un appareil quel qu'il soit.
 - Ne touchez à aucun interrupteur électrique. N'utilisez aucun téléphone de votre domicile.
 - Appelez immédiatement votre fournisseur de gaz depuis le téléphone d'un voisin.
Suivez les instructions de votre fournisseur de gaz.
 - Si vous ne pouvez joindre votre fournisseur de gaz, appelez les pompiers.
- ✓ L'installation, ainsi que toute réparation, doivent être effectuées par un installateur ou une entreprise de service qualifiés, ou par le fournisseur de gaz.

Cet appareil a été conçu et fabriqué uniquement pour la cuisson domestique des aliments et ne convient pas à l'usage non ménager. Cet appareil ne devrait donc pas être utilisé dans un environnement commercial.

La garantie de l'appareil sera annulée s'il est utilisé dans un environnement non domestique, c'est-à-dire un environnement semi-commercial, commercial ou communautaire.

Cher client,

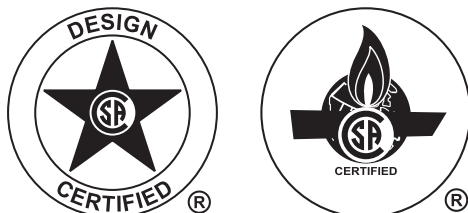
Nous vous remercions d'avoir acheté et préféré notre produit.

Les mesures de sécurité et les recommandations ci-dessous sont pour votre propre sécurité et pour celle des autres. Elles permettront également de profiter au maximum des fonctions offertes par votre appareil.

Veuillez ranger le présent livret avec soin. Il pourrait être utile dans le futur, soit pour vous ou pour les autres, dans le cas de doutes à propos du fonctionnement de l'appareil.

Cet appareil doit être utilisé uniquement pour la tâche pour laquelle il a été expressément conçu, soit la cuisson des aliments. Toute autre forme d'utilisation sera considérée incorrecte, et donc, dangereuse.

Le fabricant nie toute responsabilité dans le cas de dommages provoqués par l'utilisation inopportune, incorrecte ou illogique de l'appareil.



IMPORTANT - VEUILLEZ LIRE ET SUIVRE

- ✓ Avant de commencer, veuillez lire attentivement toutes les instructions.
- ✓ N'enlevez pas du produit les étiquettes, les avertissements ou les plaques apposés à demeure. Cela pourrait annuler la garantie.
- ✓ Veuillez respecter tous les codes et les règlements locaux et nationaux.
- ✓ Veuillez vous assurer que ce produit est bien mis à la terre.
- ✓ **L'installateur doit confier ces instructions au consommateur qui les conservera pour l'usage de l'inspecteur local et pour s'y reporter ultérieurement.**
- ✓ La prise de courant devrait être toujours accessible.

L'installation doit être conforme aux codes locaux, ou en l'absence de ces codes, à la dernière édition du National Fuel Gas Code ANSIZ223.1. L'installation électrique doit être conforme à la dernière édition du Code national de l'électricité, ANSI/NFPA70 et/ou aux codes locaux. AU CANADA : L'installation doit être conforme au CAN/CGA-B149.1, Code d'installation du gaz naturel ou au CAN/CGA-B149.2, Code d'installation du propane en vigueur et/ou aux codes locaux. L'installation électrique doit être conforme au Code canadien de l'électricité CSA C22.1, partie 1, en vigueur et/ou aux codes locaux.

INSTALLATION DANS UNE MAISON PRÉFABRIQUÉE (MOBILE) : L'installation doit être conforme au Manufactured Home Construction and Safety Standard, Titre 24 CFR, Partie 3280 (anciennement le Federal Standard for Mobile Home Construction and Safety, Titre 24, HUD/Partie 280) ou, lorsque cette norme n'est pas applicable, au Standard for Manufactured Home Installations, ANSI/NCSCBS A225.1, ou aux codes locaux, là où il y a lieu.

INSTALLATION DANS UNE CARAVANE DE PARC : L'installation doit être conforme aux codes de l'État ou aux autres codes ou, en l'absence de tels codes, au Standard for Recreational Park Trailers, ANSI A119.5.

L'installation de tout appareil au gaz doit être effectuée par un technicien qualifié. Par mesure de sécurité et pour faciliter le service, un robinet d'arrêt de gaz manuel doit être installé dans le tuyau d'alimentation en gaz, juste avant l'appareil.

Si vous utilisez une source d'alimentation électrique extérieure, cet appareil doit être, au moment de son installation, mis à la terre conformément aux codes locaux en vigueur ou, en l'absence de tels codes, conformément aux Code national de l'électricité, ANSI/NFPA 70.

**Cette cuisinière est livrée avec une pellicule protectrice recouvrant les pièces en acier et en aluminium.
Cette pellicule doit être enlevée avant l'installation ou l'utilisation de l'appareil.**

**CETTE CUISINIÈRE EST RÉSERVÉE À L'USAGE
RÉSIDENTIEL UNIQUEMENT.**

RENSEIGNEMENTS GÉNÉRAUX



AVERTISSEMENT!!

1. Cet appareil ne doit pas être utilisé pour chauffer une pièce. Ces renseignements sont basés sur des facteurs de sécurité.
2. Toute ouverture dans le mur derrière l'appareil et dans le sol au-dessous de l'appareil doit être obstruée.
3. Gardez l'appareil loin des matériaux combustibles, de l'essence ou de toute autre vapeur inflammable.
4. N'obstruez pas le flux de l'air de combustion et de l'air de ventilation.
5. Coupez l'alimentation électrique de l'appareil avant de procéder à l'entretien.
6. Lors du déplacement de l'appareil pour le nettoyage et/ou une réparation :
 - A. Fermez l'alimentation générale en gaz.
 - B. Coupez l'alimentation c.a.
 - C. Débranchez le tuyau d'alimentation en gaz du tuyau d'entrée.
 - D. Déplacez la cuisinière avec soin en la tirant en dehors de l'installation.
ATTENTION : La cuisinière est lourde. Faites attention lorsque vous la manipulez.
7. **Exigences électriques**
L'installation électrique doit être conforme aux codes nationaux et locaux.
8. **Alimentation d'air et ventilation**
L'installateur doit consulter les codes locaux et nationaux.
9. **Pression du collecteur d'alimentation en gaz**
Gaz naturel - 4,0 po CE
Gaz propane/GPL - 11,0 po CE
10. L'utilisation inappropriée de la porte du four (par exemple, marcher, s'asseoir ou s'appuyer dessus) peut présenter des dangers possibles et/ou entraîner des blessures.
11. Lors de l'installation ou du déplacement de la cuisinière pour une réparation, un timon rouleur devrait être utilisé. Ne poussez pas en appuyant sur les rebords de la cuisinière en tentant de la faire glisser dans ou en dehors de l'installation. Pousser ou tirer une cuisinière (plutôt que d'utiliser un timon rouleur) augmente également les risques de déformation des tiges ou des connecteurs de couplage internes.



AVERTISSEMENT!!

INSTRUCTIONS DE MISE À LA TERRE

La cuisinière doit être mise à la terre conformément aux codes locaux ou, en l'absence de ceux-ci, à la dernière édition du Code national de l'électricité, ANSI/NFPA n° 70 ou au Code canadien de l'électricité au Canada. L'installation doit être effectuée par un électricien qualifié.

POUR VOTRE SÉCURITÉ, CET APPAREIL DOIT ÊTRE CORRECTEMENT MIS À LA TERRE.

Si vous utilisez une source d'alimentation électrique extérieure, cet appareil doit être, au moment de son installation, mis à la terre conformément aux codes locaux en vigueur ou, en l'absence de ceux-ci, conformément au Code national de l'électricité, ANSI/NFPA 70.

Pour diminuer les risques de choc électrique, cet appareil est muni d'une fiche à trois broches (mise à la terre) et devrait être branché directement dans une prise correctement mise à la terre.

Ne coupez et ne retirez en aucun cas la troisième broche (mise à la terre) de la fiche du cordon d'alimentation.

PIÈCES DE RECHANGE


Seules les pièces de rechange autorisées peuvent être utilisées lors d'une réparation sur la cuisinière. Des pièces de rechange sont disponibles chez les concessionnaires de pièces d'origine. Veuillez communiquer avec le concessionnaire de pièces de votre région.

CONSIGNES ET RECOMMANDATIONS IMPORTANTES

Après avoir déballé l'appareil, assurez-vous qu'il n'est pas endommagé.

Si vous n'êtes pas certain, ne l'utilisez pas et consultez votre fournisseur ou un technicien professionnel qualifié.

Les éléments d'emballage (sacs de plastique, mousse de polystyrène, clous, feuillards de cerclage, etc.) doivent être gardés hors de la portée des enfants, car ils peuvent entraîner de graves blessures.

Le matériel d'emballage est recyclable et porte le symbole de recyclage .

- ✓ N'essayez pas de modifier les caractéristiques techniques de l'appareil, car cela pourrait le rendre dangereux à utiliser.
- ✓ N'effectuez aucun entretien ni aucune réparation sur l'appareil sans l'avoir d'abord déconnecté de l'alimentation électrique.
- ✓ Après l'utilisation, assurez-vous que les boutons sont à la position **OFF**.
- ✓ Ne permettez pas aux enfants ni à toute autre personne inapte d'utiliser l'appareil sans surveillance.
- ✓ Pendant et après l'utilisation de la cuisinière, certaines pièces deviendront très chaudes. Ne touchez pas aux pièces chaudes.
- ✓ Gardez les enfants éloignés de la cuisinière lorsqu'elle fonctionne.
- ✓ Cette cuisinière est livrée avec une pellicule protectrice recouvrant les pièces en acier et en aluminium. Cette pellicule doit être enlevée avant l'installation ou l'utilisation de l'appareil.
- ✓ **Risque d'incendie!** N'entrez jamais de matériaux inflammables dans le four, ni dans le compartiment de rangement.
- ✓ Assurez-vous que les câbles électriques qui raccordent les autres appareils situés à proximité de la cuisinière ne peuvent entrer en contact avec la surface de cuisson ou se coincer dans la porte du four.
- ✓ Ne recouvrez pas les parois du four avec du papier d'aluminium. Ne placez pas de grilles, de lèchefrite, de casseroles ou d'autres ustensiles de cuisson sur la base de la cavité du four.
- ✓ Le fabricant nie toute responsabilité quant aux blessures corporelles ou dommages matériels occasionnés par l'utilisation incorrecte ou inopportune de l'appareil.
- ✓ Pour éviter tout risque possible, l'appareil doit être installé uniquement par du personnel qualifié. Des réparations effectuées par des personnes non qualifiées peuvent provoquer un choc électrique ou un court-circuit. Pour éviter d'éventuelles blessures corporelles ou des dommages à l'appareil, n'essayez pas d'effectuer les réparations vous-même. Ce genre de travail devrait être effectué seulement par un technicien qualifié.
- ✓ **Risque de brûlures!** Le four et les accessoires de cuisson peuvent devenir très chauds lors de l'utilisation. Assurez-vous de garder le four hors de la portée des enfants et avertissez-les en conséquence. Pour éviter les brûlures, utilisez des vêtements et des gants de cuisine lorsque vous manipulez des pièces ou des ustensiles chauds.
- ✓ Éloignez-vous de la cuisinière lorsque vous ouvrez la porte du four. De l'air chaud ou de la vapeur s'échappant du four pourrait brûler vos mains, votre visage et/ou vos yeux.
- ✓ Ne nettoyez jamais la cuisinière, le four et le tiroir de maintien au chaud à l'aide d'un dispositif de nettoyage à vapeur haute pression. Cela pourrait provoquer un court-circuit.
- ✓ Cet appareil a été conçu pour une utilisation domestique. N'utilisez jamais cet appareil pour aucune autre fin!
- ✓ Si vous décidez de ne plus utiliser cet appareil (ou de remplacer un vieux modèle), il est recommandé, avant de se débarrasser du modèle non désiré, de le rendre inopérant de façon appropriée, conformément aux règlements sur la santé et la protection de l'environnement. Plus précisément, assurez-vous que toutes les pièces potentiellement dangereuses sont rendues inoffensives, au cas où des enfants joueraient avec l'appareil. Enlevez la porte avant de mettre l'appareil au rebut pour éviter tout risque d'enfermement.

CONSIGNES ET RECOMMANDATIONS IMPORTANTES POUR L'UTILISATION DES APPAREILS ÉLECTRIQUES

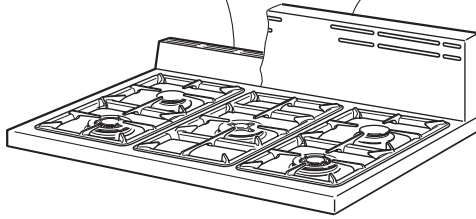
L'utilisation de tout appareil électrique suppose la nécessité de suivre une série de règles fondamentales. Plus précisément :

- ✓ Ne touchez jamais l'appareil avec les mains ou les pieds mouillés.
- ✓ Ne faites jamais fonctionner l'appareil lorsque vous êtes pieds nus.
- ✓ Ne permettez pas aux enfants ni à toute autre personne inapte d'utiliser l'appareil sans surveillance.

Le fabricant ne peut être tenu responsable des dommages provoqués par l'utilisation inopportune, incorrecte ou abusive de l'appareil.

Finition pour installation en îlot

Installation avec dossier



ATTENTION - REMARQUE TRÈS IMPORTANTE



N'obstruez jamais les fentes situées sur le dossieret/la garniture d'îlot.

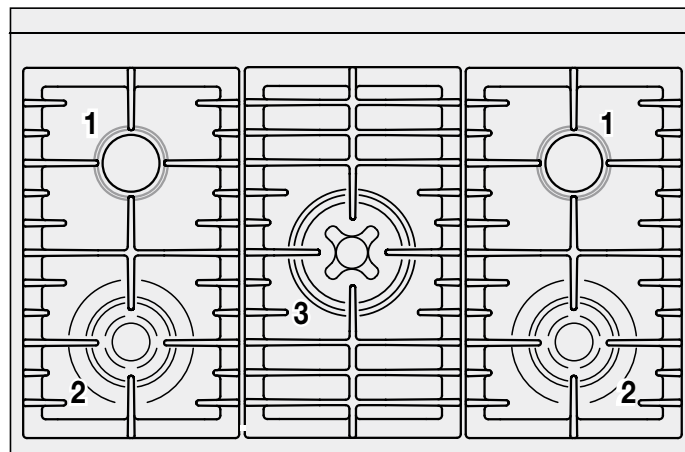


Fig. 1.1

SURFACE DE CUISSON

1. Brûleur semi-rapide (SR) - 6 000 BTU/h
2. Brûleur triple couronne (TR) - 12 000 BTU/h-
3. Brûleur double (D) - 16 000 BTU/h (Gaz naturel),
15 000 BTU/h (Propane/GPL)

Remarque :

- Le dispositif d'allumage électrique est incorporé dans les boutons.
- L'appareil est muni d'une soupape de sécurité. L'alimentation en gaz s'arrêtera automatiquement si les flammes s'éteignent accidentellement.

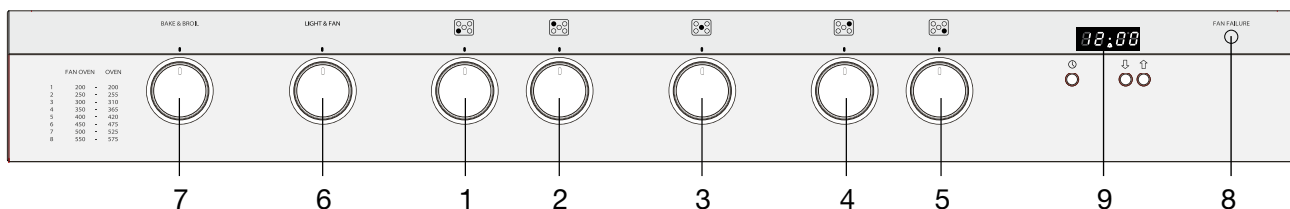
ATTENTION :

Si le brûleur s'éteint accidentellement, fermez l'arrivée de gaz à partir du bouton de commande et attendez au moins 1 minute avant d'essayer de le rallumer.

ATTENTION :







Les appareils à gaz dégagent de la chaleur et de l'humidité dans l'environnement dans lequel ils sont installés. Assurez-vous que la zone de cuisson est bien aérée conformément aux codes nationaux/locaux.

Fig. 1.2



DESCRIPTION DES COMMANDES

1. Bouton de commande du brûleur avant gauche (2)
2. Bouton de commande du brûleur arrière gauche (1)
3. Bouton de commande du brûleur central double (3)
4. Bouton de commande du brûleur arrière droit (1)
5. Bouton de commande du brûleur avant droit (2)
6. Bouton de commande du ventilateur et de la lampe du four gauche
7. Bouton de commande du four/gril au gaz gauche
8. Voyant avertisseur de défaillance du ventilateur de refroidissement
9. Horloge électronique/alarme électronique

 AVERTISSEMENT TRÈS IMPORTANT 		VOYANT AVERTISSEUR DU VENTILATEUR DE REFROIDISSEMENT
  FAN FAILURE DEFAULT DE VENTILATION	Si le voyant avertisseur de défaillance du ventilateur de refroidissement est éteint, le ventilateur de refroidissement fonctionne correctement. Vous pouvez utiliser les brûleurs de la surface de cuisson et le four à gaz.	Faites fonctionner les brûleurs de la surface de cuisson et les fours comme l'indique le manuel d'instructions.
 FAN FAILURE DEFAULT DE VENTILATION	Si le voyant avertisseur de défaillance du ventilateur de refroidissement est allumé, le moteur du ventilateur de refroidissement est défectueux. Vous ne pouvez pas utiliser le four à gaz. Vous pouvez utiliser les brûleurs de la surface de cuisson seulement.	Communiquez avec le Service après-vente. 

2 comment utiliser les brûleurs de la surface de cuisson

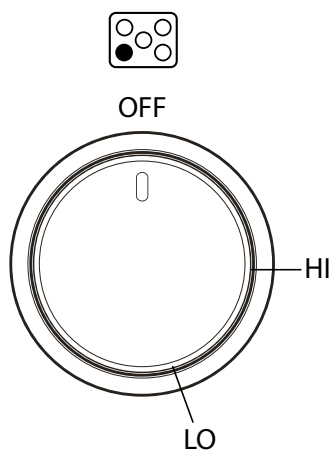
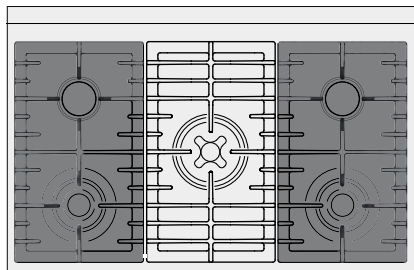


Fig. 2.1

BRÛLEURS À GAZ (Semi-rapide et triple couronne)

Vous pouvez ajuster l'alimentation en gaz des brûleurs en tournant les boutons (fig. 2.1) qui contrôlent les soupapes.

En tournant le bouton de façon à ce que les symboles qui y sont imprimés pointent vers ceux imprimés sur le tableau de commande, vous pouvez accomplir les fonctions suivantes:

Position du bouton	Fonction	Brûleur SEMI-RAPIDE	Brûleur TRIPLE COURONNE
OFF	soupape fermée		
HI	ouverture maximale		
LO	ouverture minimale		

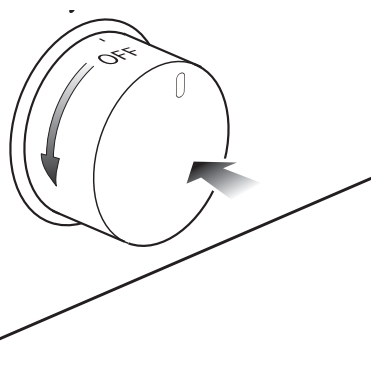


Fig. 2.2

La position d'ouverture maximale permet de porter rapidement des liquides à ébullition, tandis que la position d'ouverture minimale permet de laisser mijoter des aliments ou de maintenir l'ébullition des liquides.

Pour réduire l'alimentation en gaz au minimum, tournez le bouton davantage dans le sens antihoraire jusqu'à ce que l'indicateur pointe vers la position LO.

Vous pouvez procéder à d'autres ajustements intermédiaires en positionnant l'indicateur entre les positions d'ouverture maximale et minimale. Ne positionnez jamais l'indicateur entre la position d'ouverture maximale et la position OFF.

N.B. Lorsque vous n'utilisez pas la cuisinière, tournez les boutons d'alimentation en gaz à la position OFF et fermez le robinet d'arrêt de gaz situé sur le tuyau principal d'alimentation en gaz.

ALLUMAGE DES BRÛLEURS À GAZ MUNIS D'UN DISPOSITIF DE SÉCURITÉ EN CAS D'EXTINCTION DES FLAMMES

Pour allumer le brûleur, vous devez procéder de la façon suivante :

- 1 – Poussez et tournez le bouton dans le sens antihoraire jusqu'à la position HI (ouverture maximale). Enfoncez et tenez le bouton jusqu'à ce que les flammes s'allument (fig. 2.2).
Les étincelles produites par le diffuseur situé à l'intérieur du brûleur allumeront les flammes.
Dans le cas où les conditions d'alimentation en gaz locales rendent difficile l'allumage du brûleur avec le bouton à la position HI, essayez de nouveau en plaçant le bouton à la position LO.
S'il n'y a pas d'alimentation électrique principale, approchez du brûleur la flamme d'une allumette.
- 2 – Attendez une dizaine de secondes après avoir allumé le brûleur à gaz avant de relâcher le bouton (délai d'activation du dispositif de sécurité).
- 3 – Ajustez le robinet de gaz à la position désirée.

Si les flammes du brûleur s'éteignent pour quelque raison que ce soit, la soupape de sécurité arrêtera automatiquement l'alimentation en gaz.

Pour rallumer le brûleur, réglez le bouton à la position fermée OFF. **Attendez au moins 1 minute** et répétez la procédure d'allumage.

Si l'alimentation en gaz locale rend difficile l'allumage du brûleur lorsque le bouton est à la position d'ouverture maximale, tournez le bouton à la position d'ouverture minimale et répétez l'opération.

Attention!

**La cuisinière devient très chaude lorsqu'elle fonctionne.
Tenez les enfants bien à l'écart.**

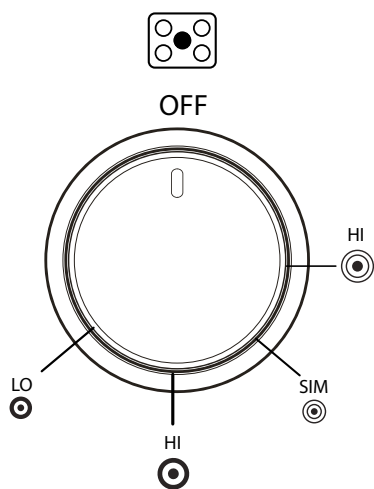
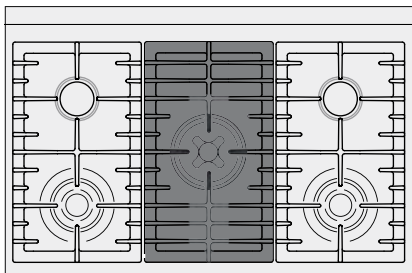


Fig. 2.3

BRÛLEURS À GAZ (Double)

Le brûleur double est un brûleur très flexible qui comporte différents réglages et permet une cuisson optimale.

Il est composé d'une couronne intérieure et de deux couronnes extérieures; les flammes de la couronne intérieure peuvent être réglées indépendamment des flammes des couronnes extérieures.

Le brûleur double peut être utilisé :

- comme petit brûleur (seule la couronne intérieure produit les flammes) pouvant être ajusté de la position maximale ^{HI} à la position minimale ^{SIM}. Vous pouvez procéder à d'autres ajustements intermédiaires en positionnant l'indicateur entre les positions d'ouvertures maximale et minimale. Ne positionnez jamais l'indicateur entre la position d'ouverture maximale et la position OFF.
- comme brûleur à puissance élevée (toutes les flammes sont produites simultanément par les couronnes intérieure et extérieures) pouvant être ajusté de la position maximale ^{HI} à la position minimale ^{LO}.

Vous pouvez ajuster l'alimentation en gaz du brûleur en tournant le bouton de commande (fig. 2.3) qui contrôle les soupapes.




En tournant le bouton de façon à ce que les symboles qui y sont imprimés pointent vers ceux imprimés sur le tableau de commande, vous pouvez accomplir les fonctions suivantes :

Pour passer de la façon "couronne intérieure" à la façon "couronnes intérieure et extérieures" (et vice versa), presser toujours le bouton de commande avant de le tourner.

Position du bouton	Fonction	Brûleur DOUBLE
OFF	soupape fermée	
^{HI}	ouverture maximale de la couronne intérieure (couronne de flammes intérieure au maximum uniquement)	
^{SIM}	ouverture minimale de la couronne intérieure (couronne de flammes intérieure au minimum uniquement)	
^{HI}	ouverture maximale des couronnes intérieure et extérieures (couronnes de flammes intérieure et extérieures toutes au maximum uniquement)	
^{LO}	ouverture minimale des couronnes intérieure et extérieures (couronnes de flammes intérieure et extérieures toutes au minimum uniquement)	

ALLUMAGE DES BRÛLEURS À GAZ MUNIS D'UN DISPOSITIF DE SÉCURITÉ EN CAS D'EXTINCTION DES FLAMMES (Brûleurs doubles)

Pour allumer le brûleur, vous devez procéder de la façon suivante :

- 1 – Poussez et tournez le bouton dans le sens antihoraire jusqu'à la position  (ouverture maximale de la couronne intérieure), enfoncez et tenez le bouton jusqu'à ce que les flammes s'allument.
Les étincelles produites par le diffuseur situé à l'intérieur du brûleur allumeront les flammes.
Dans le cas où les conditions d'alimentation en gaz locales rendent difficile l'allumage du brûleur avec le bouton à la position , essayez de nouveau en plaçant le bouton à la position .
S'il n'y a pas d'alimentation électrique principale, approchez du brûleur la flamme d'une allumette.
- 2 – Attendez une dizaine de secondes après avoir allumé le brûleur à gaz avant de relâcher le bouton (délai d'activation du dispositif de sécurité).
- 3 – Ajustez le robinet de gaz à la position désirée.

Si les flammes du brûleur s'éteignent pour quelque raison que ce soit, la soupape de sécurité arrêtera automatiquement l'alimentation en gaz.

Pour rallumer le brûleur, réglez le bouton à la position fermée OFF. **Attendez au moins 1 minute** et répétez la procédure d'allumage.

N.B. Lorsque vous n'utilisez pas la cuisinière, tournez les boutons d'alimentation en gaz à la position OFF et fermez le robinet d'arrêt de gaz situé sur le tuyau principal d'alimentation en gaz.

ATTENTION!

La cuisinière devient très chaude lorsqu'elle fonctionne. Tenez les enfants bien à l'écart.

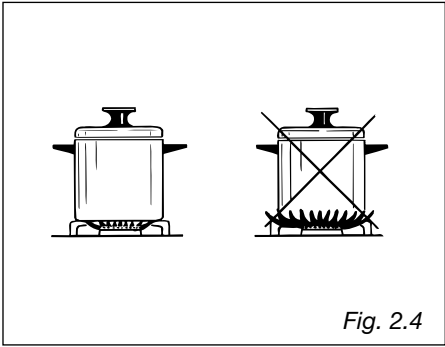


Fig. 2.4

CHOIX DU BRÛLEUR (fig. 2.5)

Les symboles imprimés sur le tableau situé au-dessus des boutons de commande indiquent la correspondance entre le bouton et le brûleur. Vous devez choisir le brûleur le plus approprié en fonction du diamètre et de la capacité de volume du récipient à chauffer. Il est important que le diamètre des casseroles convienne le mieux possible à la capacité de cuisson des brûleurs de façon à ne pas compromettre l'efficacité des brûleurs et ainsi entraîner un gaspillage de gaz. Le fait de placer une casserole de petit diamètre sur un grand brûleur ne permet pas nécessairement une ébullition plus rapide.

DIAMÈTRES DES CASSEROLES À UTILISER SUR LES BRÛLEURS DE LA SURFACE DE CUISSON

BRÛLEUR	MINIMUM	MAXIMUM
Rapide	24 cm (9-7/16 po)	26 cm (10-3/16 po)
Triple couronne	26 cm (10-3/16 po)	28 cm (11-1/16 po)
Double	26 cm (10-3/16 po)	28 cm (11-1/16 po)
Woks 36 cm (14-3/16 po) min - 40 cm (15-3/4 po) max		

N'utilisez pas d'ustensiles à fond concave ou convexe (à part pour les woks utilisés avec la grille spéciale).

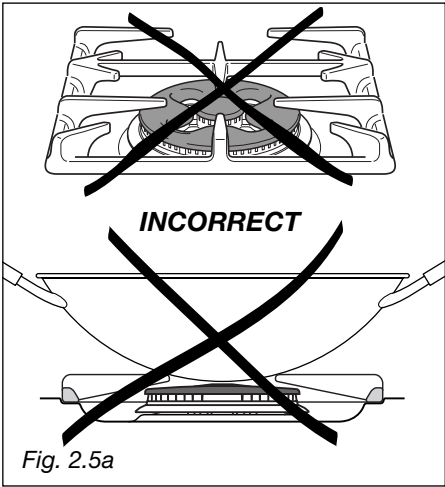


Fig. 2.5a

UTILISATION ADÉQUATE DES BRÛLEURS DOUBLES (fig. 2.6a, 2.6b)

Vous devez placer les ustensiles à fond plat directement sur le support de plat.

Lorsque vous utilisez un WOK, vous devez placer le support fourni dans le brûleur pour éviter d'endommager le brûleur double (fig. 2.6a, 2.6b).

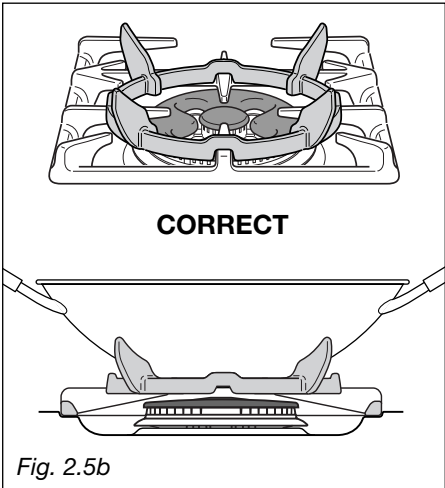



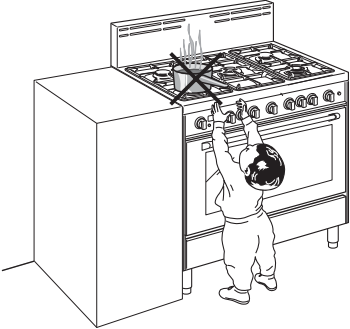
Fig. 2.5b

IMPORTANT :

La grille spéciale conçue pour les woks (fig. 2.6b) **DOIT ÊTRE PLACÉE SEULEMENT** sur le support de plat conçu pour le brûleur double.



Assurez-vous que la poignée des ustensiles ne dépasse pas du rebord de la cuisinière, pour éviter de les renverser par accident. Cette précaution rend aussi l'accès aux ustensiles de cuisson plus difficile pour les enfants.



CARACTÉRISTIQUES GÉNÉRALES

Sont fournis avec le four à gaz :

- a) Le brûleur du four, installé sur la partie inférieure du four (21 000 BTU/h).
- b) Le brûleur du gril, monté sur la partie supérieure du four (15 000 BTU/h)
- c) Le moteur de ventilateur, qui peut être combiné avec le brûleur du four ou non (sans chaleur). **Vous ne pouvez toutefois pas combiner le moteur de ventilateur et le brûleur du gril : un dispositif de sécurité met le moteur de ventilateur en position d'arrêt lorsque le bouton de commande du four/gril à gaz est à la position de cuisson au gril.**
- d) La lampe qui éclaire le four et permet un contrôle visuel de la cuisson des aliments.

PRINCIPES DE FONCTIONNEMENT

Le chauffage et la cuisson sont ainsi obtenus :

- a. **par convection naturelle**
La chaleur est produite par le brûleur du four.
- c. **par convection forcée**
La chaleur produite par le brûleur du four est diffusée uniformément dans le four grâce au ventilateur. L'air chaud enveloppe les aliments placés dans le four, entraînant une cuisson rapide et complète.
Il est possible de cuire plusieurs plats à la fois.
- d. **par rayonnement**
La chaleur est irradiée par le brûleur du gril infrarouge.
- f. **par ventilation** (il ne s'agit pas d'une fonction de cuisson)
Les aliments sont décongelés à l'aide du ventilateur uniquement, sans le brûleur du four.

Attention : La cuisinière devient très chaude lorsqu'elle fonctionne.

Attention : La porte du four devient très chaude lorsque le four fonctionne.

Tenez les enfants à l'écart.

AVERTISSEMENT :
La porte est chaude, utilisez la poignée.

N.B. Lorsque vous n'utilisez pas la cuisinière, placez les boutons d'alimentation en gaz à la position OFF et fermez le robinet d'arrêt de gaz situé sur le tuyau principal d'alimentation en gaz.

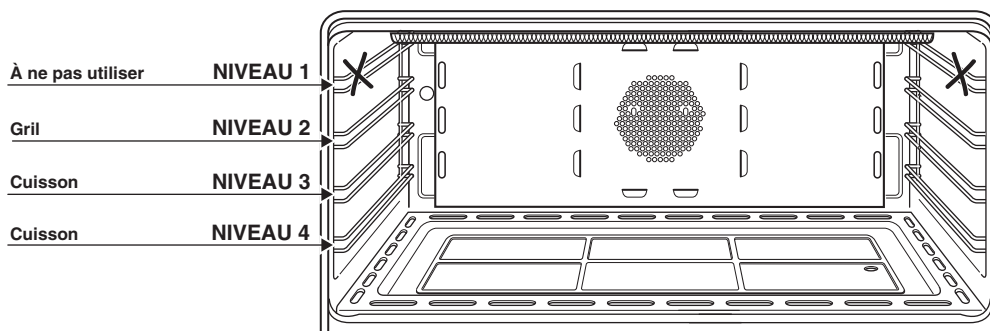
TRÈS IMPORTANT

Vous devez toujours fermer la porte du four lorsque vous utilisez le four/gril.

PREMIÈRE UTILISATION DU FOUR

Il est recommandé de suivre ces instructions :

- Équipez l'intérieur du four en plaçant les grilles en métal tel que décrit au chapitre « Nettoyage et entretien ».
- Placez les grilles et le plateau.
- Réglez le four à la température maximale (position 8) pour éliminer du brûleur du four toute trace possible de graisse. La même opération doit être effectuée pour le brûleur du gril.
- Coupez l'alimentation électrique, laissez refroidir le four, puis nettoyez l'intérieur du four avec un linge imbibé d'eau et de détergent (neutre), et séchez avec soin.



BAKE & BROIL

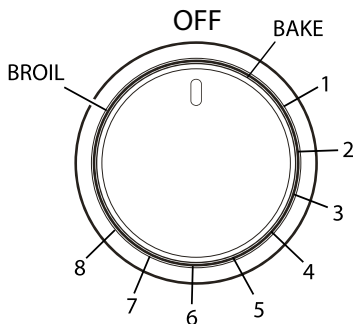


Fig. 3.1

FAN OVEN OVEN

1	200	-	200
2	250	-	255
3	300	-	310
4	350	-	365
5	400	-	420
6	450	-	475
7	500	-	525
8	550	-	575

BRÛLEUR DU FOUR

Il effectue de la « cuisson au four » normale.

L'alimentation en gaz du brûleur est réglée par un thermostat qui permet de maintenir la température du four constante.

Le contrôle de la température est assuré par une sonde thermostatique située à l'intérieur du four.

La sonde doit toujours être gardée propre, dans son logement, car une position incorrecte ou de l'incrustation pourraient provoquer une altération du contrôle de la température.

THERMOSTAT DU FOUR

Les nombres imprimés sur le bouton de commande (fig. 3.1) indiquent l'augmentation de la valeur de la température du four (reportez-vous au tableau de température près du bouton de commande - fig. 3.1).

La colonne de gauche du tableau de température se rapporte au brûleur du four combiné au moteur de ventilateur, tandis que la colonne de droite se rapporte au brûleur du four utilisé en mode de convection naturelle (sans moteur de ventilateur).

Pour contrôler la température, réglez le nombre choisi sur l'indicateur du tableau de commande.

La position BROIL sert uniquement pour allumer le brûleur du grill.

LAMPE DU FOUR ET MOTEUR DE VENTILATEUR

La lampe du four et le moteur de ventilateur sont contrôlés par un bouton d'interrupteur situé sur le tableau de commande (fig. 3.2). Pour allumer la lampe du four, tournez le bouton dans le sens antihoraire à la position LIGHT.

Pour mettre le moteur de ventilateur en marche, tournez le bouton dans le sens horaire à la position LIGHT & FAN.

À cette position, la lampe du four est aussi allumée.

AVERTISSEMENT : Vous pouvez tourner le bouton d'interrupteur seulement dans le sens horaire de la position OFF à la position LIGHT & FAN et dans le sens antihoraire de la position OFF à la position LIGHT.

Le bouton d'interrupteur NE TOURNE PAS de la position LIGHT & FAN à la position LIGHT. **NE LE FORCEZ PAS.**

REMARQUE IMPORTANTE : Le moteur de ventilateur ne peut être combiné qu'avec le brûleur du four. Un dispositif de sécurité met le moteur de ventilateur en position d'arrêt lorsque le bouton de commande du four/grill à gaz est à la position BROIL.

LIGHT & FAN

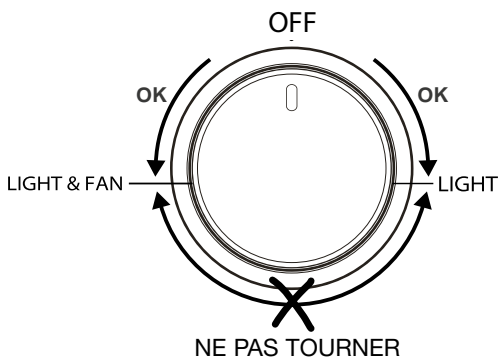


Fig. 3.2

ALLUMAGE DU BRÛLEUR DU FOUR

REMARQUE IMPORTANTE : Lors de l'allumage du brûleur du four, le moteur de ventilateur doit être à la position d'arrêt (bouton de commande de la lampe et du ventilateur à la position OFF - fig 3.2).

Le thermostat permet le contrôle automatique de la température.

L'alimentation en gaz du brûleur du four est contrôlée par un robinet thermostatique à double réglage (brûleur du four et brûleur du grill) muni d'un dispositif en cas d'extinction des flammes.

Pour allumer le brûleur du four, procédez come suit :

1) Ouvrez complètement la porte du four.

AVERTISSEMENT : Risque d'explosion! La porte du four doit demeurer ouverte pendant l'allumage.

2) Appuyez légèrement sur le bouton du thermostat et tournez-le dans le sens antihoraire (fig. 3.3), jusqu'à la position maximale 8.

3) Appuyez complètement sur le bouton pour amorcer l'allumage électrique. Maintenez le bouton enfoncé.

En cas de coupure de courant, appuyez sur le bouton et approchez immédiatement la flamme d'une allumette de l'ouverture « A » (fig. 3.4).

Ne poursuivez pas cette opération pendant plus de 15 secondes. Si le brûleur ne s'allume toujours pas, attendez environ 1 minute avant de répéter l'allumage.

4) Attendez environ de 10 à 15 secondes après l'allumage du brûleur avant de relâcher le bouton (temps de l'amorçage du robinet).

5) Fermez lentement la porte du four et réglez le brûleur en fonction de la puissance désirée.

Si les flammes s'éteignent pour une raison ou une autre, la soupape de sécurité arrêtera automatiquement l'alimentation en gaz du brûleur.

Pour rallumer le brûleur, tournez d'abord le bouton de commande du four à la position OFF. **Attendez au moins 1 minute et répétez la procédure d'allumage.**

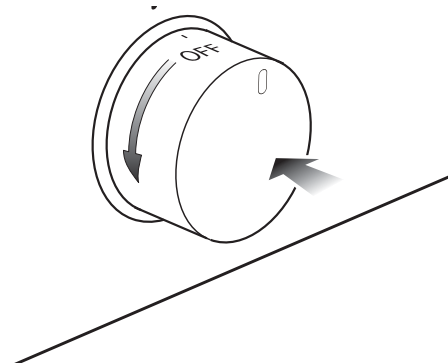


Fig. 3.3

Attention : La porte du four devient très chaude lorsque le four fonctionne.

Tenez les enfants à l'écart.

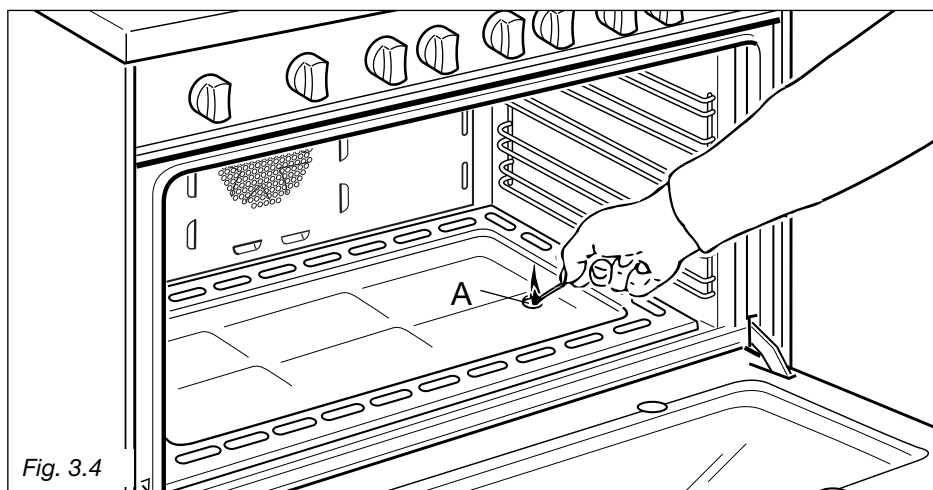


Fig. 3.4

CUISSON TRADITIONNELLE (BRÛLEUR DU FOUR SANS MOTEUR DE VENTILATEUR)

Avant de placer les aliments, préchauffez le four à la température souhaitée.

Pour une opération de préchauffage correcte, il est recommandé de retirer le plateau du four et de le placer en même temps que les aliments, lorsque le four aura atteint la température désirée.

Vérifiez le temps de cuisson et arrêtez le four 5 minutes avant la fin pour récupérer la chaleur de réserve.

Recommandée pour :

Des aliments nécessitant la même température de cuisson tant à l'intérieur qu'à l'extérieur, p. ex. des rôtis, des côtes levées, etc.

CUISSON À CONVECTION AVEC VENTILATION (BRÛLEUR DU FOUR AVEC MOTEUR DE VENTILATEUR)

Après avoir allumé le brûleur du four, allumez le moteur de ventilateur en tournant le bouton de commande de « lampe du four et moteur du ventilateur » (fig. 3.2a - 3.2b) à la position LIGHT & FAN.

Lorsqu'il est allumé, le moteur de ventilateur du petit four de droite se met en fonction environ 3 minutes après l'allumage du brûleur du four.

Avant de placer les aliments, préchauffez le four à la température souhaitée.

Pour une opération de préchauffage correcte, il est recommandé de retirer le plateau du four et de le placer en même temps que les aliments, lorsque le four aura atteint la température désirée.

Vérifiez le temps de cuisson et arrêtez le four 5 minutes avant la fin du décompte pour récupérer la chaleur de réserve.

Vous pouvez cuire différents aliments en même temps. Du poisson, des gâteaux, et de la viande peuvent être cuits ensemble sans que les odeurs ni les saveurs ne se mélangent.

Les seules précautions à suivre sont les suivantes :

- Les températures de cuisson des différents aliments doivent être aussi rapprochées que possible et différer au maximum de 70 à 80 °F (20 à 25 °C).
- Les plats doivent être placés dans le four à des moments différents en fonction du temps de cuisson requis pour chacun d'eux. Ce type de cuisson permet évidemment une économie considérable de temps et d'énergie.

Recommandée pour :

Des aliments de grand volume et en grande quantité qui nécessitent le même degré de cuisson à l'intérieur et à l'extérieur, p. ex. des rôtis roulés, de la dinde, des pilons, des gâteaux, etc.

DÉCONGÉLATION DES ALIMENTS (MOTEUR DE VENTILATEUR SEULEMENT)

Régles le bouton de commande du brûleur du four à la position OFF et tournez le bouton de commande de « lampe du four et moteur du ventilateur » (fig.3.2a - 3.2b) à la position LIGHT & FAN.

Seuls le ventilateur et la lampe du four se mettent en marche. La décongélation est effectuée par le ventilateur, sans chaleur.

Recommandée pour :

Décongeler rapidement des aliments; environ une heure pour 2,2 lb (1 kg).

Le temps de décongélation varie en fonction de la quantité et du type d'aliment à décongeler.

ALLUMAGE DU BRÛLEUR DU GRIL

REMARQUE IMPORTANTE : Le moteur de ventilateur ne peut pas être combiné avec le brûleur du grill. Un dispositif de sécurité met le moteur de ventilateur à la position d'arrêt lorsque le bouton de commande du four/gril à gaz est à la position BROIL.

Le brûleur du grill génère les rayons infrarouges pour la cuisson au grill.

Pour allumer le brûleur du grill, procédez comme suit :

1) Ouvrez complètement la porte du four.

AVERTISSEMENT : Risque d'explosion! La porte du four doit demeurer ouverte pendant l'allumage.

2) Appuyez légèrement sur le bouton du thermostat et tournez-le dans le sens horaire jusqu'à la position BROIL (fig. 3.5).

3) Appuyez complètement sur le bouton pour amorcer l'allumage électrique. Maintenez le bouton enfoncé.

En cas de panne d'électricité, appuyez sur le bouton et approchez immédiatement la flamme d'une allumette du côté droit ou gauche du brûleur (fig. 3.6).

Ne poursuivez pas cette opération pendant plus de 15 secondes. Si le brûleur ne s'allume toujours pas, attendez environ 1 minute avant de répéter l'allumage.

4) Attendez environ de 10 à 15 secondes après l'allumage du brûleur avant de relâcher le bouton (temps de l'amorçage du robinet).

5) Fermez lentement la porte du four.

Si les flammes s'éteignent pour une raison ou une autre, la soupape de sécurité arrêtera automatiquement l'alimentation en gaz du brûleur.

Pour rallumer le brûleur, tournez d'abord le bouton de commande du four à la position OFF. **Attendez au moins 1 minute et répétez la procédure d'allumage.**

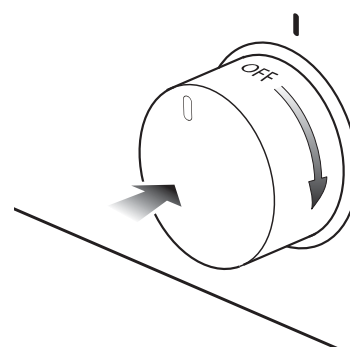


Fig. 3.5

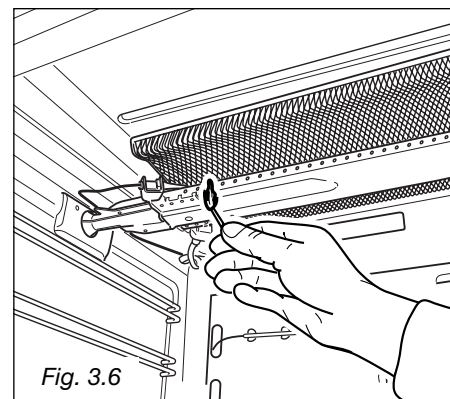


Fig. 3.6

Fermez toujours la porte du four lorsque vous utilisez la cuisson au grill. Attention : La porte du four devient très chaude lorsque le four fonctionne. Tenez les enfants à l'écart.

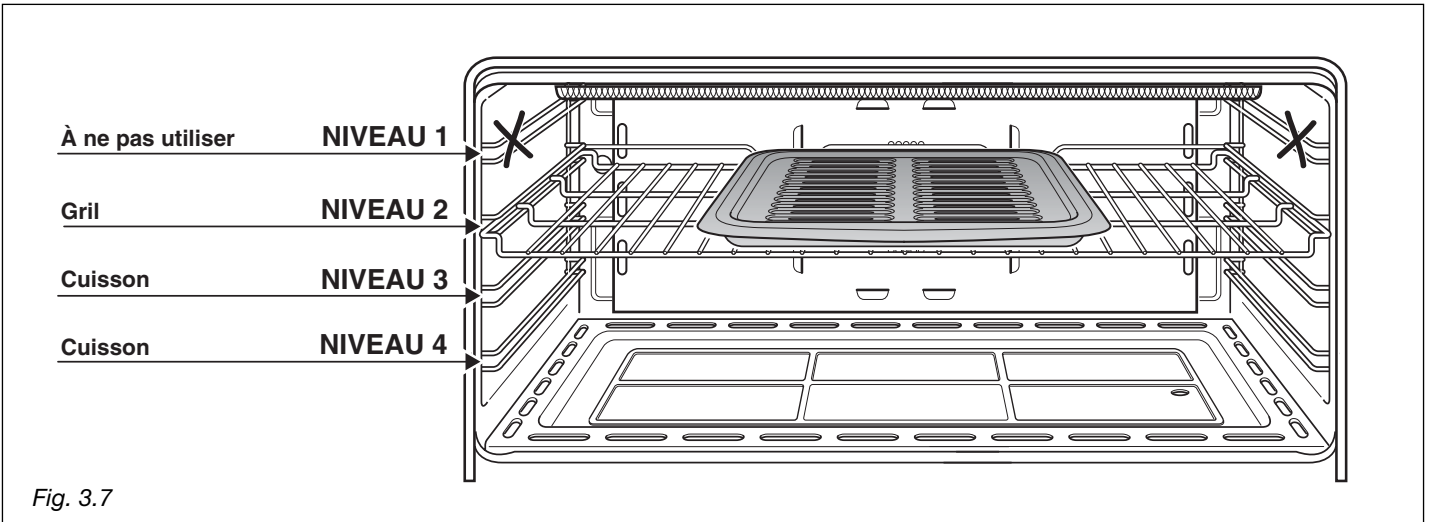


Fig. 3.7

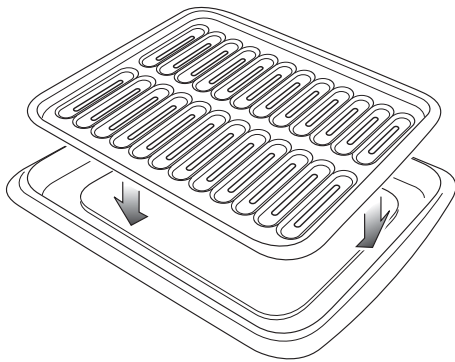


Fig. 3.8

CUISSON AU GRIL

Très important : Vous devez toujours fermer la porte du four lorsque vous utilisez le brûleur du grill.

- Placez la grille sur le deuxième support à partir du haut (fig. 3.7).
- Allumez le brûleur du grill, tel qu'expliqué dans les paragraphes précédents, et laissez-le préchauffer pendant environ 5 minutes en gardant la porte fermée.
- Placez les aliments à cuire sur la lèche-frite.
- Déposez la lèche-frite dans le four (fig. 3.8). La lèche-frite doit être placée sur la grille et centrée avec le brûleur du grill (fig. 3.7).

N'utilisez jamais la cuisson au grill sans utiliser de lèche-frite.

Important : Utilisez toujours des gants de cuisine lorsque vous déposez ou retirez du four la lèche-frite, les grilles, les casseroles ou tout autre ustensile de cuisson.

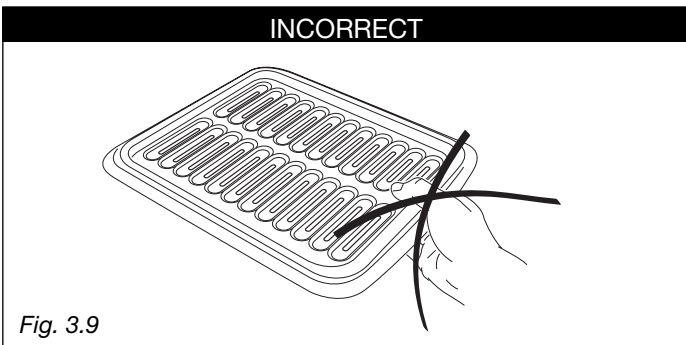


Fig. 3.9

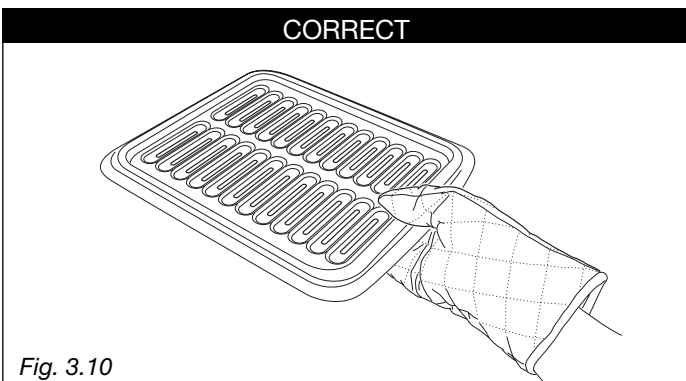





Fig. 3.10

HORLOGE ÉLECTRONIQUE (fig. 4.1)

L'alarme électronique est un dispositif qui regroupe les fonctions d'une horloge de 12 heures avec affichage lumineux et d'une alarme de 10 heures.

Immédiatement après le branchement du four ou après une panne d'électricité, **12•00** clignotera sur l'écran d'affichage.

Pour régler l'heure, appuyez sur le bouton  et, dans les 7 secondes suivantes, sur le bouton  ou  jusqu'à ce que l'heure soit correcte.

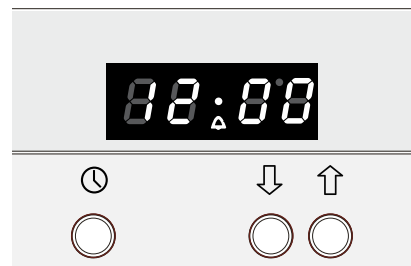









Fig. 4.1

RÉGLAGE DE L'HEURE



Appuyez sur le bouton  et, dans les 7 secondes suivantes, sur le bouton  ou  jusqu'à ce que l'heure soit correcte. Cette fonction reste active pendant 7 secondes après avoir appuyé sur  ou .

Pour changer seulement les heures : Appuyez sur le bouton  pendant 5 secondes, jusqu'à ce que l'affichage des heures clignote.


Changez uniquement les heures en appuyant sur le bouton  ou . Cela n'aura aucun effet sur les minutes et les secondes dissimulées.



ALARME ÉLECTRONIQUE


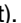
Le programme de l'alarme est constitué seulement d'une sonnerie que vous pouvez régler pour une période maximale de 10 heures.

Pour régler la durée, appuyez sur le bouton  ou  jusqu'à ce que la durée souhaitée soit affichée.

De **0•10 à 99•50**, la lecture de la durée se fait en minutes et en secondes (intervalles de 10 secondes); de **1•40 à 10•00**, la lecture de la durée se fait en heures et en minutes (intervalle de minutes).

Une fois le réglage complété, le symbole  s'illuminera et le décompte débutera immédiatement.

Pendant le décompte, la minuterie est affichée en priorité. Pour afficher l'heure, appuyez sur le bouton . À la fin du décompte, le symbole  s'éteindra et une sonnerie intermittente retentira pendant 7 minutes. Vous pouvez l'arrêter en appuyant sur un des boutons.. Vous pouvez éviter le signal en appuyant sur le bouton pendant les 15 dernières secondes de la minuterie.

Pour arrêter le décompte de l'alarme à tout moment, maintenez le bouton  enfoncé jusqu'à ce que l'écran d'affichage indique **0•00** (le symbole  s'éteint).

AVERTISSEMENT IMPORTANT : CECI N'EST QU'UNE ALARME ÉLECTRONIQUE. N'OUBLIEZ PAS D'ARRÊTER LE FOUR OU LE GRIL MANUELLEMENT À LA FIN DU DÉCOMPTE.

RÉGLAGE DE LA FRÉQUENCE DU SON DE L'ALARME

Vous pouvez choisir parmi 3 possibilités de son en appuyant sur le bouton .

AVERTISSEMENT**Risque de choc électrique**

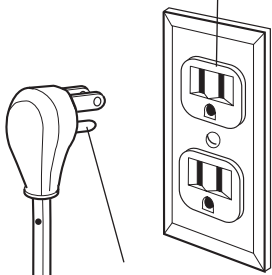
Branchez dans une prise à 3 alvéoles.

Ne retirez pas la broche de mise à la terre.

N'utilisez pas d'adaptateur.

Le non-respect de ces instructions peut entraîner la mort, provoquer un incendie ou un choc électrique.

Prise polarisée à 3 alvéoles et mise à la terre



Broche de mise à la terre

AVERTISSEMENT TRÈS IMPORTANT

Avant toute opération d'entretien, déconnectez l'appareil de l'alimentation électrique.

N'utilisez pas de nettoyeurs à jet de vapeur. L'humidité pourrait s'infiltrer à l'intérieur de l'appareil et le rendre dangereux.

RECOMMANDATION GÉNÉRALE

- ✓ Important : Avant toute opération de nettoyage et d'entretien, déconnectez l'appareil de l'alimentation électrique.
- ✓ Il est recommandé de nettoyer l'appareil lorsqu'il est froid, en particulier pour le nettoyage des pièces émaillées.
- ✓ Évitez de laisser des substances alcalines ou acides (jus de citron, vinaigre, etc.) sur les surfaces.
- ✓ Évitez d'utiliser des produits nettoyants à base de chlore ou d'acide. Le four doit toujours être nettoyé après chaque utilisation, à l'aide de produits appropriés. Rappelez-vous que faire fonctionner l'appareil pendant 30 minutes à la température maximale élimine la majeure partie de la saleté en la réduisant en cendres.

PIÈCES ÉMAILLÉES

- ✓ Toutes les pièces émaillées doivent être nettoyées avec une éponge imbibée d'eau savonneuse seulement, ou avec d'autres produits non abrasifs. Séchez de préférence avec un chamois.

PIÈCES PEINTES ET SURFACES IMPRIMÉES PAR SÉRIGRAPHIE

- ✓ Nettoyez en utilisant un produit approprié. Séchez bien.

IMPORTANT : Ces pièces doivent être nettoyées très soigneusement afin d'éviter les égratignures et l'abrasion. Il est recommandé d'utiliser un linge doux et un savon neutre.

ÉLÉMENTS EN ACIER INOXYDABLE

- ✓ Les pièces en acier inoxydable doivent être rincées avec de l'eau et séchées avec un linge propre et doux ou avec un chamois.
- ✓ Pour la saleté difficile à déloger, utilisez un produit non abrasif spécifique disponible dans le commerce ou un peu de vinaigre chaud.
- ✓ **Remarque** : Une utilisation régulière pourrait entraîner une décoloration autour des brûleurs en raison de la température élevée.

INTÉRIEUR DU FOUR

- ✓ Il doit être nettoyé régulièrement.
- ✓ Lorsque le four est tiède, essuyez les parois de la cavité du four avec un linge imbibé d'eau savonneuse très chaude ou un autre produit approprié.

BRÛLEURS ET GRILLES

- ✓ Ces pièces peuvent être retirées et nettoyées avec des produits appropriés.
- ✓ Après le nettoyage, les brûleurs et leur veilleuse doivent être bien séchés et replacés correctement.
- ✓ Il est très important de vérifier que la veilleuse du brûleur et le chapeau ont été remis en place correctement. Si vous ne respectez pas ces consignes, des problèmes graves pourraient survenir.
- ✓ Assurez-vous que la sonde placée à côté de chaque brûleur est toujours propre. Vous assurerez ainsi le bon fonctionnement des soupapes de sécurité.
- ✓ Dans le cas des appareils à allumage électrique, gardez l'électrode propre pour ne pas gêner la production des étincelles.
- ✓ **Remarque** : Pour éviter d'endommager le système d'allumage électrique, n'utilisez pas cette fonction lorsque les brûleurs ne sont pas en place.

REPLACEMENT DE LA LAMPE DU FOUR

Avant d'entreprendre toute opération d'entretien impliquant des pièces électriques, vous devez déconnecter l'appareil de l'alimentation électrique.

- ✓ Laissez refroidir la cavité du four et le brûleur du gril.
- ✓ Coupez l'alimentation électrique.
- ✓ Retirez le couvercle de protection.
- ✓ Dévissez et remplacez l'ampoule. La nouvelle ampoule doit être adaptée à de hautes températures (300 °C - 570 °F) et comporter les caractéristiques suivantes : 120 V, 60 Hz, 15 W, E14.
- ✓ Remplacez le couvercle de protection.

REMARQUE : Le remplacement de l'ampoule du four n'est pas couvert par votre garantie.

REPLACEMENT ADÉQUAT DES BRÛLEURS SEMI-RAPIDES

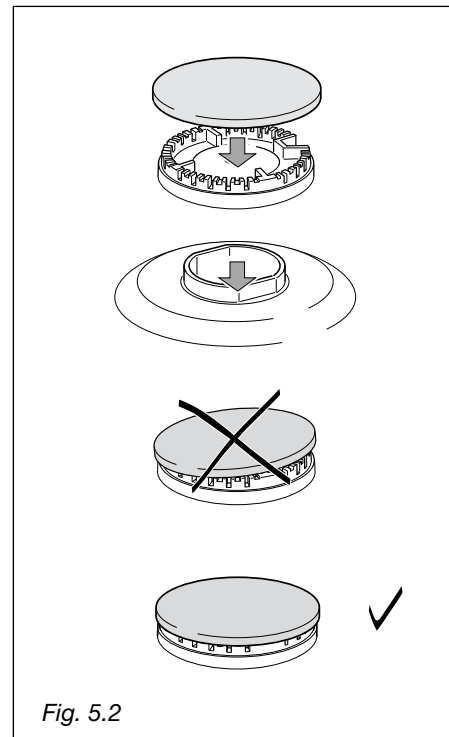
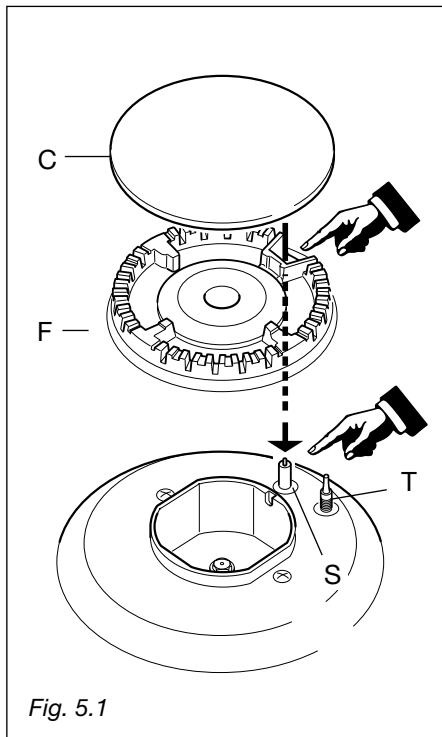
Il est très important de vérifier que le diffuseur de flammes « F » et le chapeau « C » ont été correctement positionnés (fig. 5.1 et 5.2).

Si vous ne respectez pas cette consigne, des problèmes graves pourraient survenir.

Dans le cas des appareils à allumage électrique, assurez-vous que l'électrode « S » (fig. 5.1) est toujours propre pour faciliter la production d'étincelles.

Assurez-vous que la sonde « T » (fig. 5.1) placée à côté de chaque brûleur est toujours propre pour assurer le bon fonctionnement des soupapes de sécurité.

La sonde et la bougie d'allumage doivent toujours être nettoyées soigneusement.

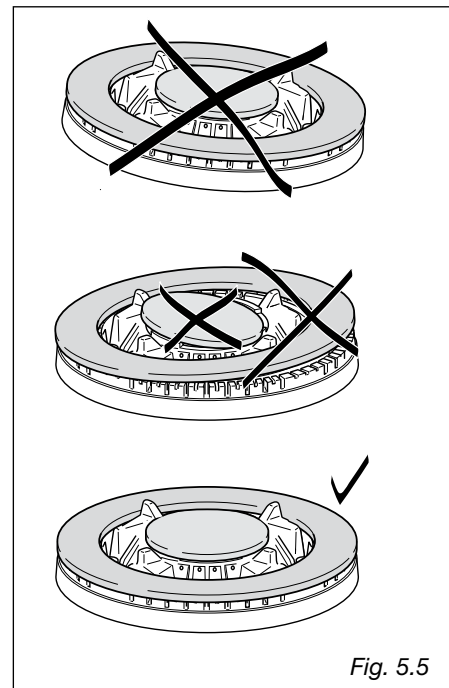
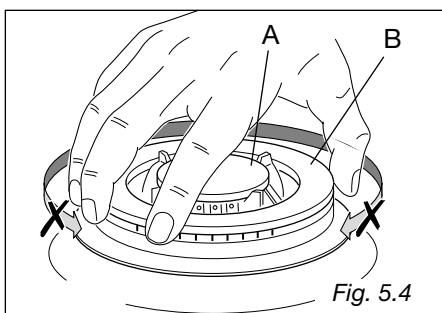
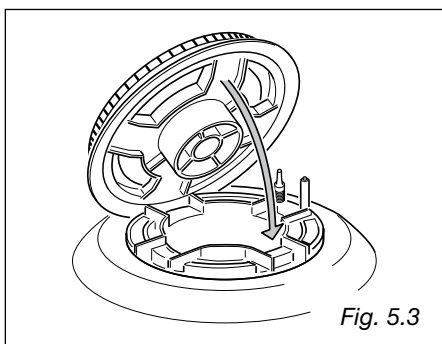


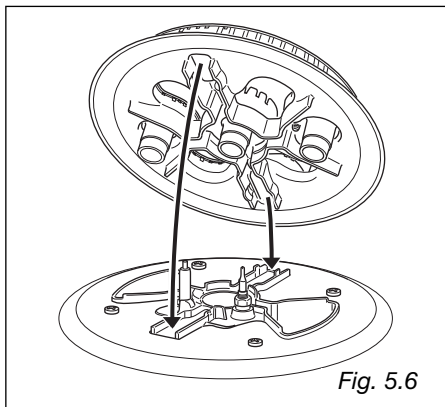
POSITION CORRECTE DES BRÛLEURS TRIPLE COURONNE

Le brûleur triple couronne doit être positionné correctement (fig. 5.3); la nervure du brûleur doit s'emboîter dans son emplacement comme l'indique la flèche.

Un brûleur correctement installé ne doit pas tourner (fig. 5.4).

Placez ensuite le chapeau A et la couronne B (fig. 5.4 - 5.5).





POSITION CORRECTE DU BRÛLEUR DOUBLE

Le brûleur DOUBLE doit être positionné correctement (fig. 5.6); la nervure du brûleur doit s'emboîter dans son emplacement comme l'indiquent les flèches.

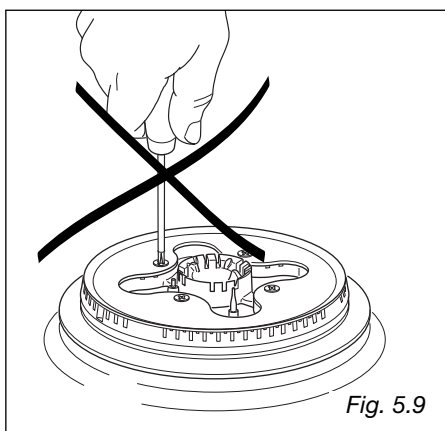
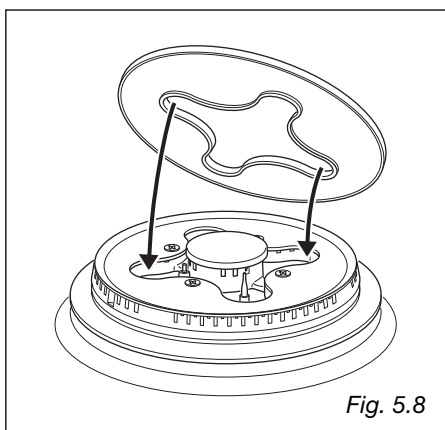
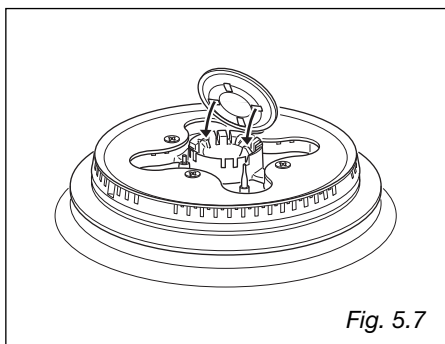
Placez le petit chapeau central dans son emplacement tel que l'indiquent les flèches (fig. 5.7).

Placez le gros chapeau dans son emplacement tel que l'indiquent les flèches (fig. 5.8).

IMPORTANT : Ne dévissez JAMAIS les vis du brûleur (fig. 5.9).

ROBINETS DE GAZ

En cas de fonctionnement défectueux des robinets de gaz, contactez le service de réparation.



INSTALLATION ET RETRAIT DES ACCESSOIRES DU FOUR

- Accrochez les grilles de métal « G » aux parois du four (fig. 5.10).
- Glissez les grilles sur les guides (fig. 5.11). N'utilisez pas le premier support à partir du haut.
La grille doit être placée de façon à ce que le dispositif de sécurité, qui empêche la grille de glisser, soit orienté vers l'intérieur du four.
- Placez la lèchefrite sur la grille du four (reportez-vous à la page 18).
- Pour démonter, accomplissez les étapes dans l'ordre inverse.

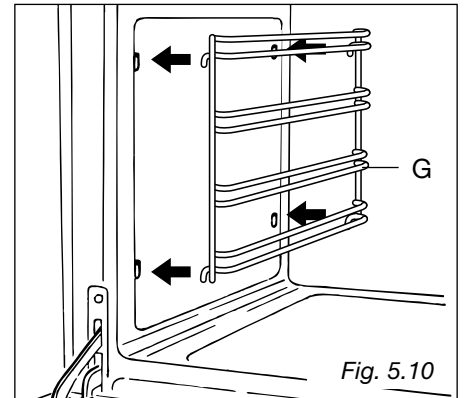


Fig. 5.10

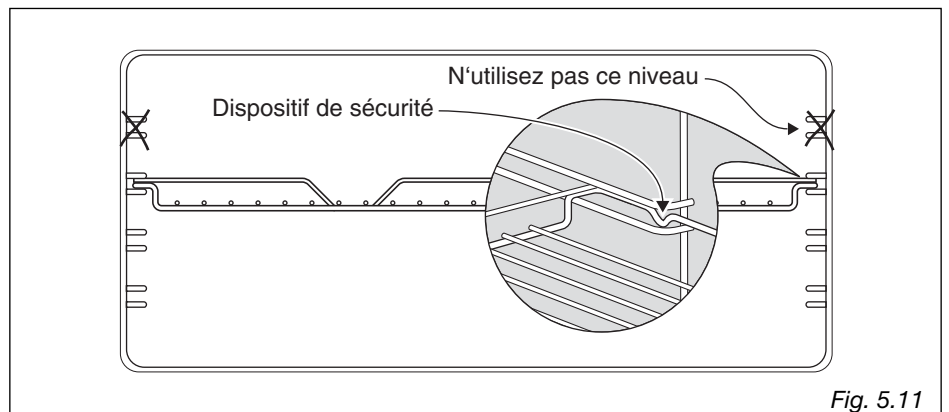


Fig. 5.11

PORTE DU FOUR

La vitre interne peut être retirée facilement pour le nettoyage en dévissant les vis qui la retiennent (fig. 5.12)

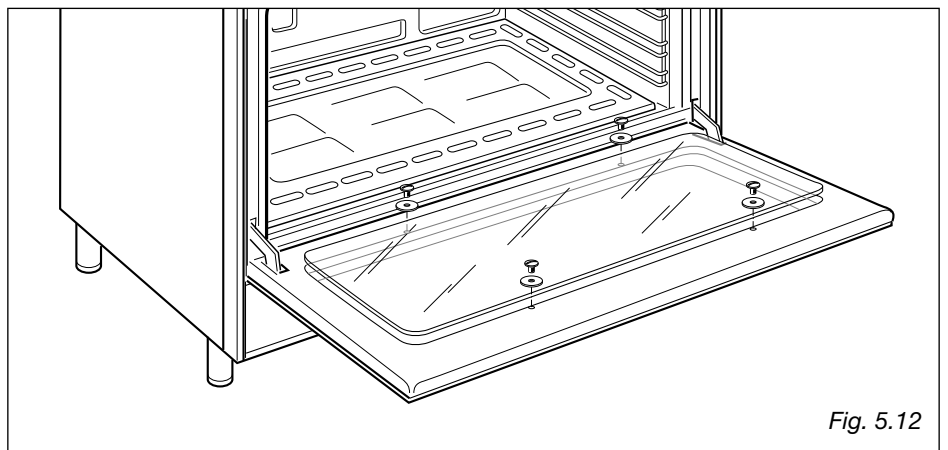


Fig. 5.12

COMPARTIMENT DE RANGEMENT

Vous pouvez accéder au compartiment de rangement par le panneau pivotant (fig. 5.13).

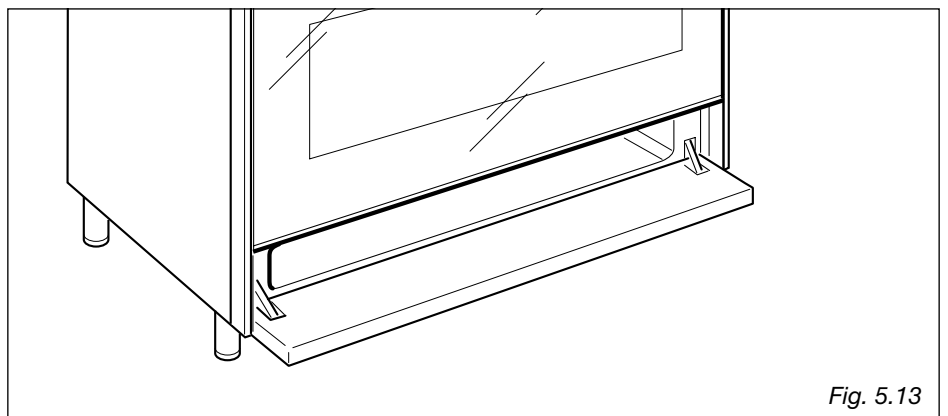


Fig. 5.13



AVERTISSEMENT!!

N'entreposez jamais de matériaux inflammables dans le four, ni dans le compartiment de rangement.

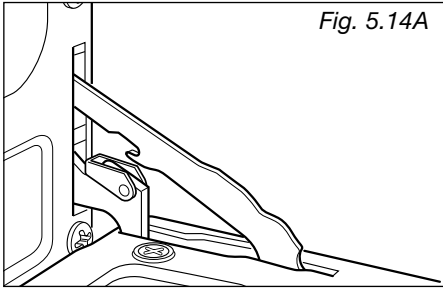


Fig. 5.14A

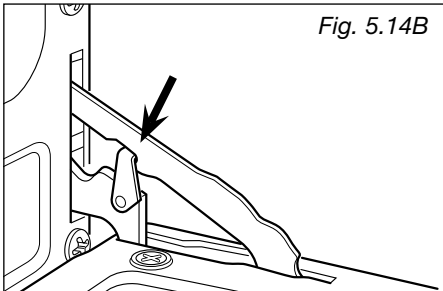


Fig. 5.14B

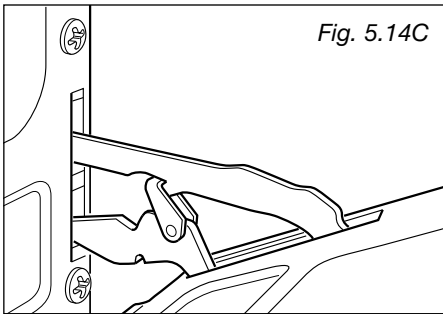


Fig. 5.14C

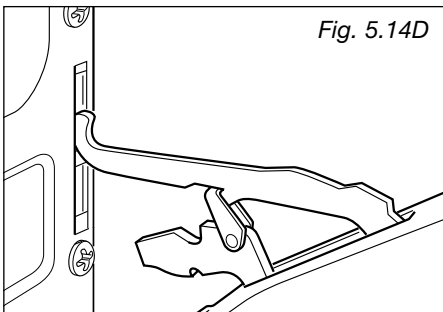


Fig. 5.14D

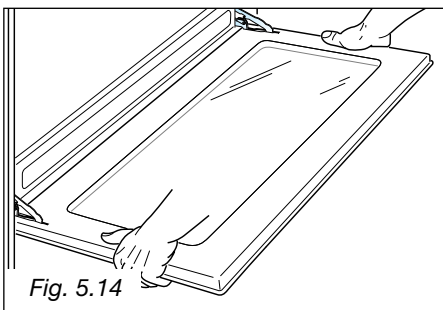


Fig. 5.14

DÉPOSE DE LA PORTE DU FOUR

Vous pouvez facilement enlever la porte du four en procédant comme suit :

- Ouvrez complètement la porte du four (fig. 5.14A).
- Attachez les freins d'axe aux crochets sur les charnières gauche et droite (fig. 5.14B).
- Tenez la porte tel qu'indiqué à la fig. 5.14.
- Refermez doucement la porte et retirez les tiges des charnières inférieures de leur emplacement (fig. 5.14C).
- Retirez les tiges des charnières supérieures de leur emplacement (fig. 5.14D).
- Déposez la porte sur une surface douce.
- Pour remettre la porte en place, répétez les étapes ci-dessus dans l'ordre inverse.

À FAIRE ET À NE PAS FAIRE

- Fermez toujours la porte du four lorsque vous utilisez le four.
- Fermez toujours la porte du four lorsque vous utilisez la cuisson au gril.
- Lisez attentivement le mode d'emploi avant d'utiliser la cuisinière pour la première fois.
- Laissez chauffer le four deux heures avant de l'utiliser pour la première fois. Vous évacuerez ainsi toute odeur provenant de l'isolant du four avant d'introduire des aliments.
- Nettoyez le four régulièrement.
- Essuyez immédiatement toute éclaboussure.
- Utilisez toujours des gants de cuisine lorsque vous retirez des aliments, des grilles et des plateaux du four.
- Tenez les enfants à l'écart de la cuisinière lorsque celle-ci fonctionne.
- Ne laissez pas de graisse ou d'huile s'accumuler sur la base de la cavité ou sur les accessoires du four.
- Ne placez pas d'ustensiles de cuisson ou d'assiettes directement sur la base de la cavité du four.
- Ne placez pas de pièces émaillées chaudes dans l'eau. Laissez-les d'abord refroidir.
- Ne laissez pas de vinaigre, café, lait, eau salée, jus de citron ou de tomate en contact avec les pièces émaillées (c.-à-d. à l'intérieur du four).
- N'utilisez pas de poudres ou de nettoyants abrasifs. Vous égratigneriez l'acier inoxydable et l'émail.
- N'essayez pas de réparer le mécanisme interne de votre cuisinière.
- Retirez la pellicule protectrice avant la première utilisation.
- Risque d'incendie! N'entreposez jamais de matériaux inflammables dans le four, ni dans le compartiment de rangement.
- N'utilisez pas le four avec la porte du four ouverte.
- N'utilisez pas le four pour chauffer une pièce.

POUR VOTRE SÉCURITÉ

Les recouvrements externes ne doivent en aucune circonstance être retirés pour entretien ou réparation, excepté par un technicien qualifié.

Copyright © Fisher & Paykel 2007. All rights reserved.

The product specifications in this booklet apply to the specific products and models described at the date of issue. Under our policy of continuous product improvement, these specifications may change at any time. You should therefore check with your Dealer to ensure this booklet correctly describes the product currently available.

Droits réservés © Fisher & Paykel 2007.

Les spécifications du produit contenues dans ce manuel s'appliquent aux modèles et produits spécifiques comme décrits à la date de publication. Dans le cadre de notre politique d'améliorations en permanence de nos produits, ces spécifications pourront être modifiées à tout moment. Nous vous recommandons de vérifier auprès de votre revendeur que ce manuel décrit le produit actuellement disponible.

www.usa.fisherpaykel.com

US CA

Freestanding range user guide

Published: 03/2007

Part No. 599398 A

Elba Part No. 1102995