



*Origins Series*

## Installation Guide



# 115R Refrigerator and 115WC Wine Captain®

---

[www.U-LineService.com](http://www.U-LineService.com)

Phone (414) 354-0300 • FAX (414) 354-7905  
Service & Parts Tech Lines Phone (800) 779-2547 • FAX (414) 354-5696  
[OnlineService@U-Line.com](mailto:OnlineService@U-Line.com)

©2006 U-Line Corporation  
07/2006

**Contents**

Exterior Cleaning ..... 4  
 Cut-Out Dimensions ..... 4  
 Product Dimensions ..... 5  
 Door Swing/Clearances Information ..... 5  
 Reversing the Door..... 6  
 Side-By-Side Installation Instructions ..... 8  
 Custom 1/4" Thick Door Panel Insert ..... 8  
 Checking Door Alignment ..... 11  
 Adjusting Door Alignment ..... 11  
 Electrical Specifications ..... 11  
 Leveling Information ..... 12  
 Installation Tip ..... 12  
 Installation of the 1115R/1115WC ..... 12  
 Glass Shelf Installation..... 12  
 Initial Start-Up ..... 13  
 Start-Up Troubleshooting ..... 13  
 Service Information ..... 13

**1 Follow Safety Precautions**

**IMPORTANT**

PLEASE READ all instructions completely before attempting to install or operate the unit.

- This unit requires connection to a grounded (three-prong), polarized receptacle that has been placed by a qualified electrician in accordance with applicable electrical codes.

**Safety Alert Definitions**

Safety items throughout this guide are labeled with a Danger, Warning or Caution based on the risk type:

**⚠ DANGER**

***Danger means that failure to follow this safety statement will result in severe personal injury or death.***

**⚠ WARNING**

**Warning means that failure to follow this safety statement could result in serious personal injury, or death.**

**⚠ CAUTION**

Caution means that failure to follow this safety statement may result in minor or moderate personal injury, property or equipment damage.

## General Precautions

Use this appliance for its intended purpose only and follow these general precautions along with those listed throughout this guide:

### WARNING

#### **SHOCK HAZARD — Electrical Grounding Required.**

- **Keep the unit unplugged throughout installation except during testing.**
- **Never remove the round grounding prong from the plug and never use a two-prong grounding adapter.**
- **Never use an extension cord to connect power to the unit.**
- **Always keep your working area dry.**

### CAUTION

- Use care when moving and handling the unit. Use gloves to prevent personal injury from sharp edges.
- Do not lift the unit by the door or door handle.
- Do not install the unit behind closed doors or in any way that would obstruct airflow to the front grille, which may cause the unit to malfunction.

## 2 Inspect and Plan

You have received a carton containing your 1115R Refrigerator or 1115WC Wine Captain® with a package inside containing a Use and Care Guide and a Product Registration Card. Complete and mail the Product Registration Card or register online at [www.U-LineService.com](http://www.U-LineService.com). Once your unit is installed, keep the Use and Care Guide and this Installation Guide in a safe place for future reference.

1115R units are available in Black vinyl clad cabinets with matching doors and in Stainless models with a stainless steel door and handle, and a black cabinet. All 1115R Black unit doors have a slightly contoured handle across the top and are reversible. The black doors have recessed front panels that will accept a custom 1/4 inch thick door panel. 1115R units have three full and one "half" tempered glass shelves. The 1115R Stainless units have been ordered either left or right hand, and the door is not reversible.

1115WC units are Black or Stainless and have a vinyl-clad cabinet and a framed, tinted glass door. The Black units have a slightly contoured handle across the top, which are reversible. Stainless models have a black cabinet and grille and a stainless steel framed door and handle. The Stainless units have been ordered either left or right hand, and the door is not reversible.

All 1115WC units come with five sliding wine racks that are maple trimmed that can be finished or stained.

Please carefully follow the directions that apply to your unit and your intended design.

### **Tools/Materials Required**

- Screwdrivers — slotted and Phillips head
- 1/4-inch thick door panel material and cutting tools (1115R Black units)(If installing a 1/4" Panel)

### **Inspection**

Unwrap and inspect the unit on a flat, level surface capable of supporting its entire weight.

## Exterior Cleaning

(As Required)

### Black Models:

- Black surfaces may be cleaned with a mild detergent and warm water solution. Do not use solvent-based or abrasive cleaners. Use a soft sponge and rinse with clean water. Wipe with a soft, clean towel to prevent water spotting.

### Stainless Models:

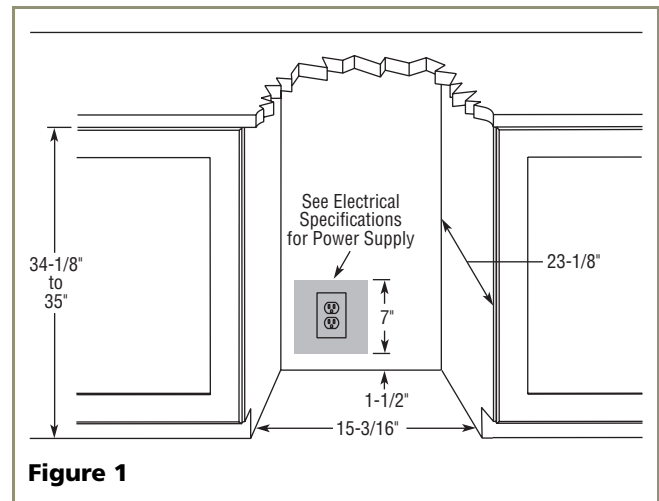
- Stainless door panels, handles and frames can discolor when exposed to chlorine gas, pool chemicals, salt water or cleaners with bleach.
- Clean any glass door fronts with a non-chlorine glass cleaner.
- Keep your Stainless unit looking new by cleaning with a good quality all-in-one stainless steel cleaner/polish on a monthly basis. For best results use Claire Stainless Steel Polish and Cleaner, which can be purchased from U-Line Corporation. (The part number is 173348.) Comparable products are acceptable. Frequent cleaning will remove surface contamination that could lead to rust. Some installations may require cleaning on a weekly basis.
- **Do not clean with steel wool pads.**
- **Do not use stainless steel cleaners/polishes on any glass surfaces.**
- **Do not use cleaners that are not specifically intended for stainless steel on stainless surfaces (this includes glass, tile and counter cleaners).**
- If any surface discolors or rusting appears, clean it quickly with Bon-Ami or Barkeepers Friend Cleanser and a non-abrasive cloth. Always clean in the direction of the grain. Always finish this process with Claire Stainless Steel Polish and Cleaner or comparable product to prevent further problems.
- **Use of abrasive pads such as Scotchbrite will cause the graining in the stainless to become blurred.**
- Rust that is allowed to linger can penetrate into the surface of the stainless steel and complete removal of the rust may not be possible.

## 3 Prepare Site

Your U-Line product has been designed for either free-standing or built-in installation. When built-in, your unit does not require additional air space for top, sides or rear. However, the front grille must NOT be obstructed and clearance is required for electrical connection in the rear.

**Note:** Unit can NOT be installed behind a closed cabinet door.

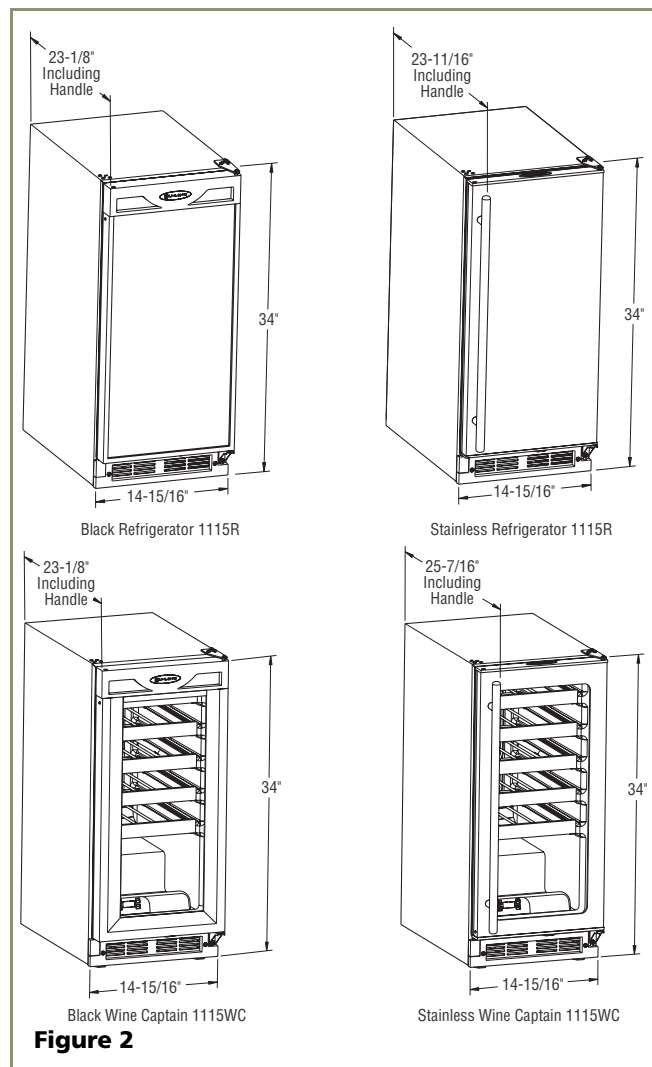
## Cut-Out Dimensions



**Figure 1**

Follow the cut-out drawing in **Figure 1**. The 15-3/16" width allows 1/4" for ease in installation and removal of the unit. 24" is the cabinet depth in most installations. The unit is 23-1/8" deep including the door and *not* the handle on Stainless models and 23-1/8" deep including the handle on Black models (see **Figure 2**).

### Product Dimensions

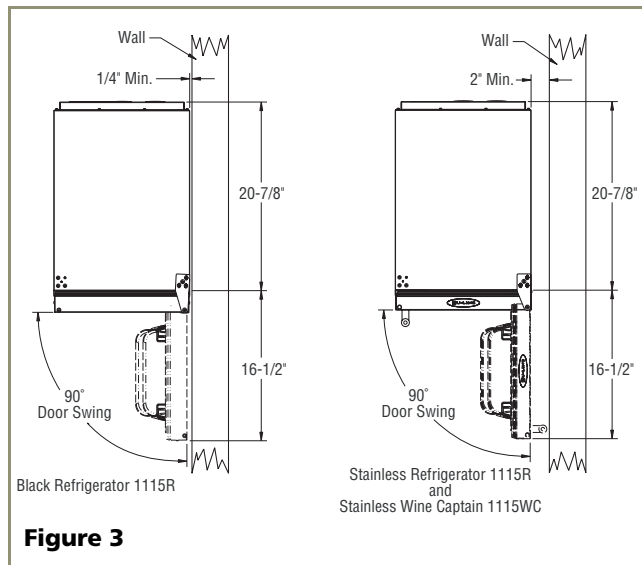


Please note that the unit has adjustable feet that can add one additional inch to height during leveling or to match adjacent cabinets (see **Figure 19** on **Page 12**).

### Door Swing/Clearances Information

Black 1115R units have a zero clearance for the door to open 90° (see **Figure 3**). U-line recommends a minimum clearance of 1/4" for black units and 2" for Stainless units to accommodate the handle if the unit is installed next to a wall or similar type of structure.

**Note: A 1115 BLACK Wine Captain® must be able to have door swing open a minimum of 135°. If placement of unit does not allow this, door MUST be reversed.**



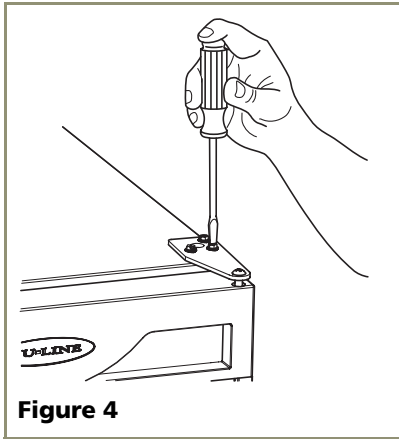
## Reversing the Door

(1115R & 1115WC Black Units Only).

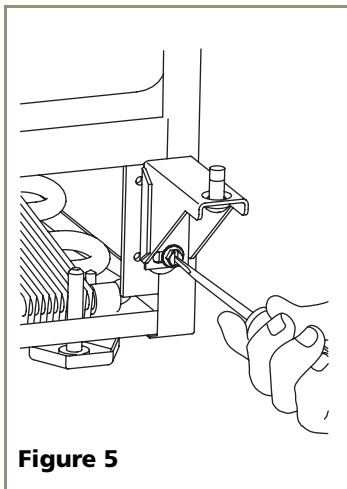
### Black Model 1115R

To reverse the door, perform the following:

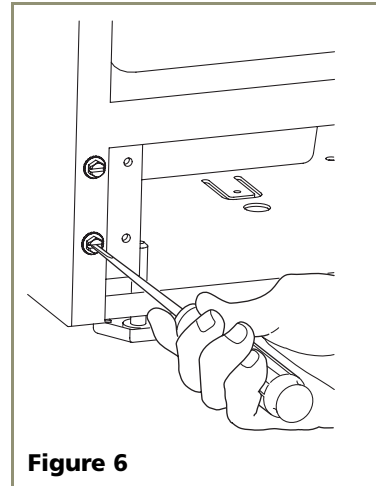
1. Remove the grille and grille cap (two screws).



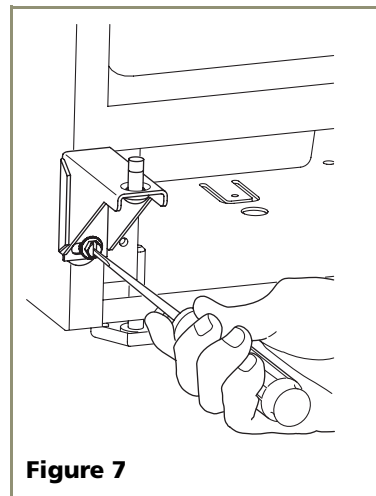
2. Remove top hinge from cabinet (three screws) (**Figure 4**). Hold door to keep it from falling.
3. Lift the door off the bottom hinge.



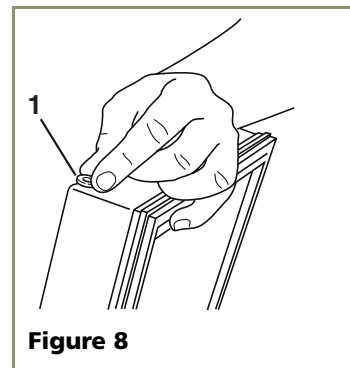
4. Remove bottom hinge from cabinet (two screws) (**Figure 5**).



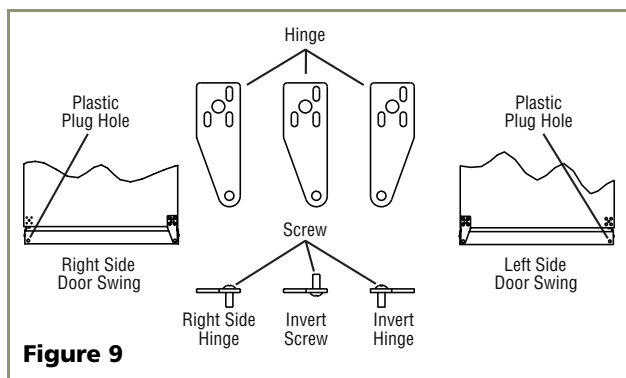
5. Remove screws on opposite side of cabinet (**Figure 6**). Note that there may be a nut behind one or both screws on either side.



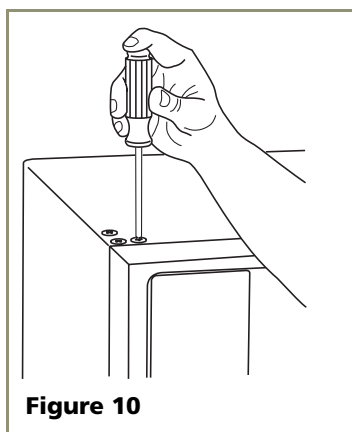
6. Install hinge on opposite side, bottom of cabinet (**Figure 7**). Replace nut on back side where installed. Align hinge outer edge with cabinet before tightening screws.



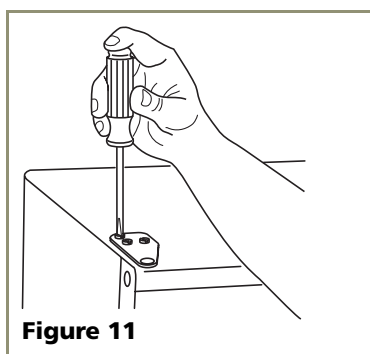
7. Relocate plastic spacer/bushing (**Figure 8**) on bottom of door to opposite side, and place door on bottom hinge pin. Clean out bushing hole in door bottom with a screwdriver if necessary.



8. Remove plastic hole plug (**Figure 9**) from door handle and relocate on opposite side.
9. Remove pivot screw from top hinge, invert screw and reinstall pivot screw in top hinge.



10. Remove three plastic screw plugs (**Figure 10**) from hinge holes, top of cabinet, opposite side. Be careful not to scratch cabinet.
11. Place door on lower hinge pin. Invert and install upper hinge on door.



12. Fasten upper hinge to unit (three screws) (**Figure 11**). Partially tighten screws.
13. Adjust door to assure proper seal. Tighten upper and lower hinge screws securely.
14. Replace three plastic plugs removed in Step 10 into holes on top of unit. Replace screws in holes in bottom of unit on opposite side.
15. Replace the grille and grille cap. Be sure to place grille cap on opposite side of unit from where it was originally.

## Other Site Requirements

### Power Supply

The unit requires a grounded and polarized 115 VAC, 60 Hz, 15A circuit (normal household current). See *Electrical Specifications* on **Page 10**.

### Environmental Requirements

Many U-Line models are designed to operate in harsh outdoor/marine environments. Special considerations include the following:

#### (1115R REFRIGERATOR requirements)

- The units are designed to operate between 50°F (10°C) and 110°F (40°C). High ambient temperatures (110°F [40°C] or higher) may reduce the unit's ability to reach low temperatures and may also reduce the ice production rate for those models with icemakers.
- If the ambient temperature is expected to drop below 45°F (7°C), drain all water from the unit to prevent freezing damage not covered by the warranty.
- For best performance, keep the unit out of direct sunlight and away from heat generating equipment.
- For best performance and life outdoors, place under a counter or provide shelter of some kind.
- In climates where high humidity and dew points are present, condensation may appear on outside surfaces. This is considered normal. The condensation will disappear when the humidity drops.

#### (1115WC WINE CAPTAIN® requirements)

- The units are designed to operate between 50°F (10°C) and 110°F (40°C). High ambient temperatures (110°F [40°C] or higher) may reduce the unit's ability to reach low temperatures.
- For best performance, keep the unit out of direct sunlight and away from heat generating equipment.
- In climates where high humidity and dew points are present, condensation may appear on outside surfaces. This is considered normal. The condensation will disappear when the humidity drops.
- U-Line does not recommend installation of glass front models (Wine Captain® wine storage models and Beverage Centers) as well as the Combo Drawer model (Refrigerator/Freezer/Ice Maker) outdoors, or in tropical climates where high humidity and dew point are present on a regular basis, unless air-conditioning (typical 72°F, 75%RH) will be used.

## Side-By-Side Installation Instructions

For a complete refreshment center, install two of the 1115 series units side by side: 1115R and 1115WC.

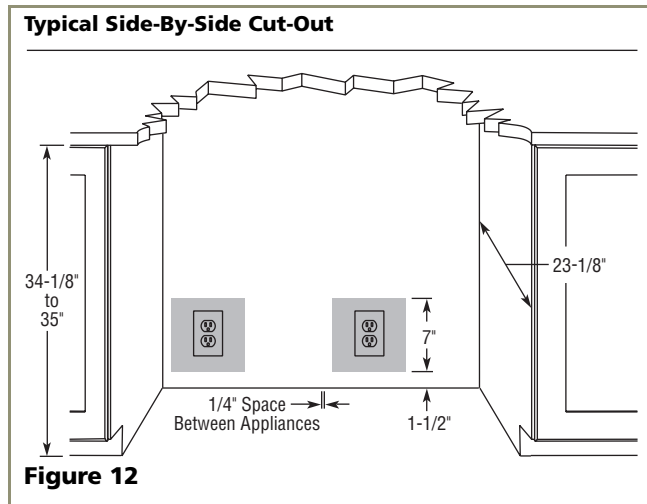
- Cut-out width for a side-by-side installation is the total of the widths listed under *Cut-Out Dimensions* in each unit's Installation Guide.

*For example:*

Placing a 1115R next to a 1115WC would require a cut-out width of:

$$15\text{-}3/16" + 15\text{-}3/16" = 30\text{-}3/8"$$

- No trim kit is required. However, 1/4-inch space needs to be maintained between the units to ensure unobstructed door swing.
- Units must operate from separate, properly grounded electrical receptacles placed according to each unit's *Electrical Specifications*.



**Figure 12**

## 4 Prepare/Install Door Panel or Prepare Racks

Three types of custom treatments may be involved in your installation:

- 1115R Refrigerators will accept a custom 1/4" thick insert to harmonize with or accent the surrounding decor.
- 1115WC are equipped with maple-trimmed wine racks that are coated at the factory with a clear vinyl sealer, which will adequately protect the wood in normal usage. A final finish coat was not applied so that the wood trim could be stained to match décor. The trim on the racks may be coated with a final finish or stained.

If none of these treatments are to be included in this installation, go on to **5 Adjust Door**.

### Custom 1/4" Thick Door Panel Insert

(1115R Refrigerator Units Only)

#### Door Panel Preparation

A custom door panel can be inserted into the doorframe. Custom door panels can be flat or raised, as long as the maximum panel thickness where inserted into the door reveal (channel) is 1/4"-thick. For raised panels, the depth of the reveal is 1/4" on all four sides.

#### IMPORTANT

Raised panels will reduce the door's 90° swing/zero clearance if the unit is installed next to a wall or similar type of structure.

Cut the panel insert to the following dimensions.

Custom 1/4" Dimensions for **1175 Black & White units:**

Width: 22-15/16"

Height: 26-15/16"

Custom 1/4" Dimensions for **1115 Black units:**

Width: 13-15/16"

Height: 26-15/16"

The door panel must not weigh more than 20 lbs.

#### Door Panel Installation

Install the insert as follows:

#### ⚠ CAUTION

Use care when handling the insert. Insert edges may be sharp.

1. Remove top hinge screw pin with Phillips head screwdriver. Remove door by tilting forward and lifting off bottom hinge pin.



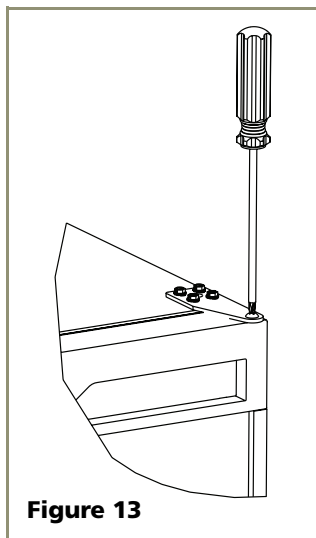


Figure 13

2. Pull door gasket out of groove (top edge of door only). Start in the middle and pull outward, moving toward the edge (see **Figure 14**). This may take some force.
3. Remove two outside screws holding door handle. Slightly separate door handle from door (see **Figure 15**).
4. Pull handle up and off.

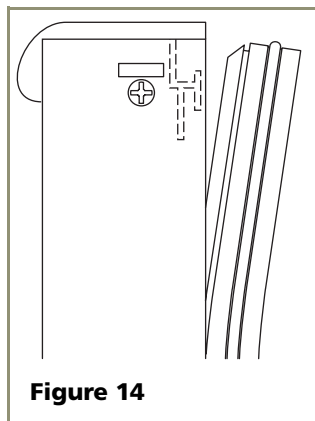


Figure 14

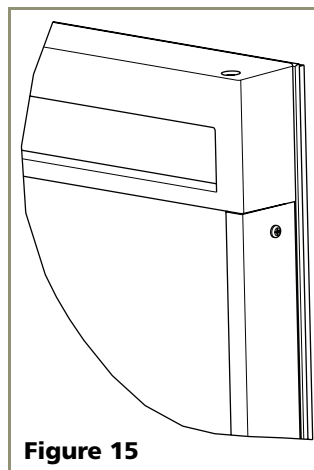


Figure 15

### IMPORTANT

Use care not to damage magnet, located on door bottom when installing door insert. Do not set door on bottom edge when pushing insert into place.

5. Slide custom door panel insert into 1/4-inch channel in door front.
6. Holding door gasket out of the way, replace handle on door, making sure it is seated properly on insert and that screw holes line up.
7. Install two small screws removed in **Step 3**.
8. Starting at the corners and working inward, push door gasket into place on door.
9. Place door on bottom hinge pin and install upper hinge screw.
10. Go on to **5 Adjust Door**.

### CAUTION

To prevent permanent damage to the inner liner of the Wine Captain, the wine rack wood trim **MUST** be removed from the unit for staining and/or finishing. Allow stain/finish to dry thoroughly (at least 24 hours per coat) in accordance with the stain/finish manufacturer's instructions prior to re-installing the wood trim inside the cabinet of the Wine Captain. Failure to do so may cause the inner liner of the unit to have a permanent odor, which is not covered by the warranty.

### Adding a Final Finish Coat to Wood Trim (1115 Wine Captain Units)

To remove a rack from the cabinet:

1. Grasp the end of the rack, and gently slide it out until it stops.
2. Remove any bottles stored on the rack.
3. Press the left rack release lever (see **Figure 15**) down, and at the same time, lift the corresponding right rack release lever up, and pull the rack out until it is free of the tracks and the cabinet.

### IMPORTANT

Do not remove the track side rails from the cabinet.

To insert a rack in the cabinet:

1. Align the left and right rack channels with the tracks in the cabinet, and ensuring an even track engagement on both sides, gently push the rack into the cabinet until it stops.
2. Before reloading the rack, ensure proper operation of the travel stops in the left and right track rails by pulling the rack out gently until it completely stops.

### Wood Trim Finishing

The U-Line Wine Captain® is equipped with wood-trimmed wine racks that are coated at the factory with a clear vinyl sealer, which will adequately protect the wood in normal usage. A final finish coat was not applied so that the wood trim could be stained to match décor. The trim on the racks may be coated with a final finish or stained.

### WARNING

**To prevent permanent damage to the inner liner of your unit, the wood trim MUST be removed from the unit for staining and/or finishing. Allow stain/finish to dry thoroughly (at least 24 hours per coat) in accordance with the product manufacturer's instructions prior to reinstallation. Failure to do so may cause the inner liner of the unit to have a permanent odor, which is not covered by the warranty.**

If staining the trim is desired, it must be done before the application of any type of final finish. Review the following staining/final finish and final finish-only guidelines when staining and/or sealing the wood to ensure proper adhesion and durability of the finish.

**Note: Glass in door is tinted. Stain may look darker when door is closed.**

**Staining and final finish application:**

1. Remove all screws, securing wood trim to interior components, and remove the trim from the cabinet interior.

---

**IMPORTANT**

DO NOT use oil-based stains on wood trim. Vapors from oil-based stains will permanently penetrate the liner and will not dissipate over time.

2. Apply Minwax® Water-Based Wood Stain to wood with a synthetic bristle brush or a foam applicator. Allow stain to penetrate approximately three minutes. Before the stain is dry, take a stain-dampened rag and remove any excess stain remaining. Wipe in the direction of the grain with medium pressure to achieve the desired stain color.
3. After two hours, repeat step 2. This will even out the color of the wood.
4. Allow stain to dry for a minimum of three hours before applying the final finish.
5. If desired, sand the wood with very fine sandpaper to smooth the surface after the staining process.
6. Remove all dust from the wood, and apply one coat of Minwax® Polycrylic® Protective Finish to the wood using a synthetic bristle brush. This finish should be applied in a thin coat following the direction of the grain. Apply the finish to the back and sides of the wood first, and allow it to dry for two hours. Apply the finish to the front side of the wood next, and allow it to dry for two hours. Sand with very fine 220 grit sandpaper. Apply two additional coats of the finish in the same manner, but do not sand the trim after the final third coat is applied.
7. Allow the final coat to dry for 24 hours before reinstalling the trim to the cabinet interior components.

**Final finish-only application:**

1. Remove all screws, securing wood trim to interior components, and remove the trim.
2. Lightly scuff sand the wood trim with 280 or finer grit sandpaper.
3. Remove sanding dust with a clean, dry cloth.
4. The factory-applied seal is compatible with virtually all finishes. A low-odor, water clean-up, quick-drying finish such as Minwax® Polycrylic® Protective Finish is recommended (Minwax® Polycrylic® is an ultra fast-drying, water-based finish). Apply a thin coat of a clear, protective finish, following the container label directions.
5. Lightly sand and reapply if desired.
6. Allow the final coat to dry for 24 hours

## 5 Adjust Door

### Checking Door Alignment

The unit's door is aligned at the factory before shipment. However, its alignment could have been disturbed during shipment or during door panel installation.

#### IMPORTANT

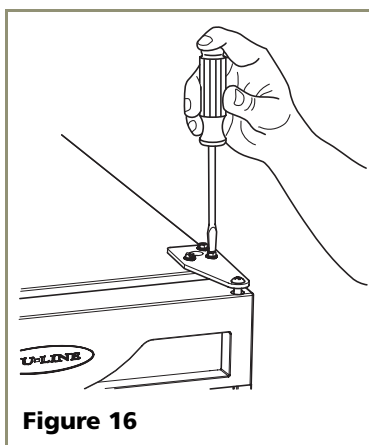
**Properly aligned, the door's gasket should be firmly in contact with the cabinet all the way around the door (no gaps). Carefully examine the door's gasket to assure that it is firmly in contact with the cabinet. Also make sure the door gasket is not pinched on the hinge side of the door.**

1. If the door is properly aligned, go on to **6 Prepare Power Supply**. If it is not, use the following procedure.

### Adjusting Door Alignment

#### 1115R and 1115WC Units

1. Loosen (do not remove) top and bottom hinge screws. See **Figure 16**.
2. Align door squarely with cabinet. Make sure gasket is firmly in contact with cabinet all the way around the door (no gaps).
3. Tighten bottom hinge screws.
4. Tighten top hinge screws. Go on to **6 Prepare Power Supply**.



## 6 Prepare Power Supply

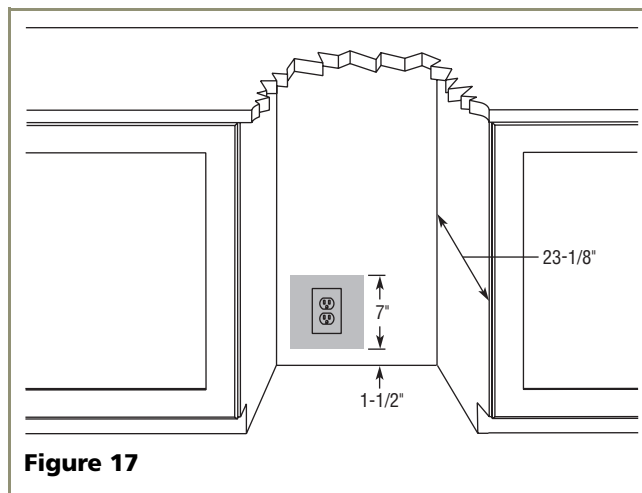
### Electrical Specifications

#### ⚠ CAUTION

Electrical installation must observe all state and local codes. This unit requires connection to a grounded (three-prong), polarized receptacle that has been placed by a qualified electrician.

The unit requires a grounded and polarized 115 VAC, 60 Hz, 15A power supply (normal household current). An individual, properly grounded branch circuit or circuit breaker is recommended. GFCI (ground fault circuit interrupter) is usually not required for fixed location appliances and is not recommended for your unit because a GFCI could be prone to nuisance tripping. However, be sure to consult your local codes.

See **Figure 17** for recommended receptacle location.



#### ⚠ WARNING

**SHOCK HAZARD — Electrical Grounding Required.**

- Never remove the round grounding prong from the plug and never use a two-prong grounding adapter.
- Never use an extension cord to connect power to the unit.

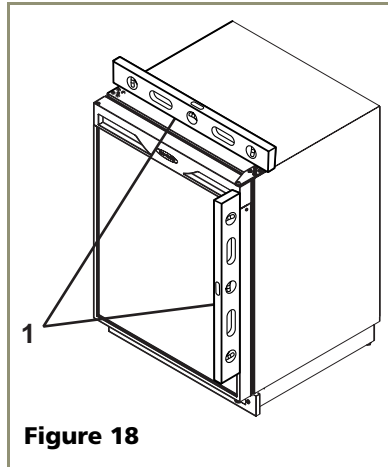
Go on to **7 Level the Unit**.

**7 Level the Unit**

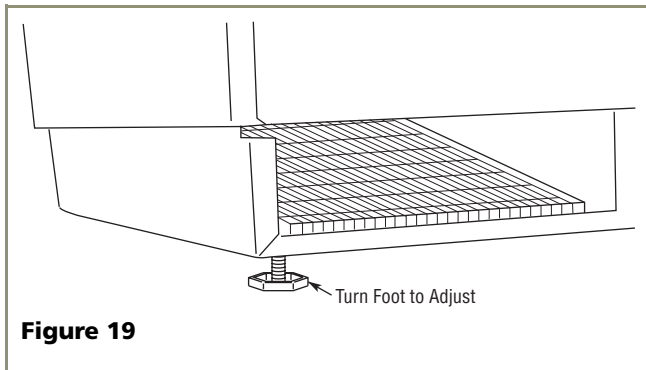
**Leveling Information**

Note: It is recommended that the unit is level.

1. Use a level to check the levelness of the unit from front to back and from side to side. Level should be placed along top edge and side edge as shown (see **Figure 18**).



2. If the unit is not level, adjust the feet on the corners of the unit as necessary (see **Figure 19**).



3. Check the levelness after each adjustment and repeat the previous steps until the unit is level. Go on to **8 Install the Unit**.

**Installation Tip**

If the room floor is higher than the floor in the cut-out opening, adjust the rear feet to achieve a total unit rear height of 1/8" less than the opening's rear height. Shorten the unit height in the front by adjusting the front feet. This allows the unit to be gently tipped into the opening. Readjust the front feet to level the unit after it is correctly positioned in the opening.

**8 Install the Unit**

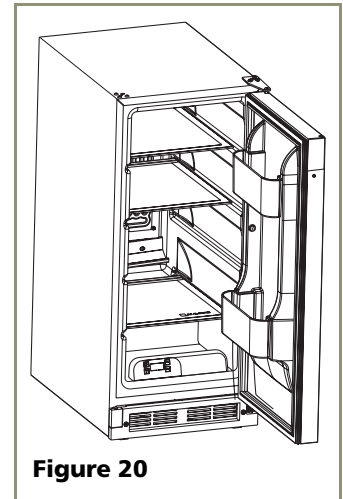
**Installation of the 1115R/1115WC**

1. Plug in the power cord.
2. Gently push the unit into position. Be careful not to entangle the electrical cord.
3. Re-check the leveling, from front to back and side to side. Make any necessary adjustments. The unit's top surface should be approximately 1/8" below the countertop.

**Glass Shelf Installation**

(1115R Refrigerator Only)

1. Carefully remove the glass shelves from the packaging.
2. Slide the shelves onto lower sets of ribs, making sure the decorative graphics are on the underside of the shelves. White edge strips go toward the rear and silver edge strips go toward the front. See **Figure 20**.



---

## *Origins Series*

---

### 9 Start-Up for the First Time

---

#### Initial Start-Up

The unit is shipped with the controller preset. No other adjustments should be necessary at this time. For information about Adjusting the Temperature Control, see the Use and Care Guide.

#### Start-Up Troubleshooting

##### **Q:** Problem

Unit does not appear to turn on when plugged in.

##### **A:** Solution

Make sure outlet has power (circuit breaker has not tripped).

---

#### **IMPORTANT**

See the Use and Care Guide's *Troubleshooting Guide* for more solutions.

#### Who to Call

#### Service Information

If the need for service arises, call the U-Line Customer Care Center directly @ **800-779-2547**. To ensure accurate assistance, please have your Model Number and Serial Number and an explanation of the problem. The Model and Serial Number plate is located inside unit at upper right hand corner.

If you need to locate a service company, you can go online at **www.U-LineService.com** and search for a service company by zip code.

**For more than four decades, U-Line has distinguished itself as the leader in built-in undercounter ice making, refrigeration and wine storage appliances.**

U-Line Corporation, located in Milwaukee, WI, is a family operated manufacturer of built-in undercounter icemakers, Combo® icemaker/refrigerators, Wine Captain® wine storage units, refrigerators, refrigerated drawers and refrigerator/freezers.