

Echelon Series

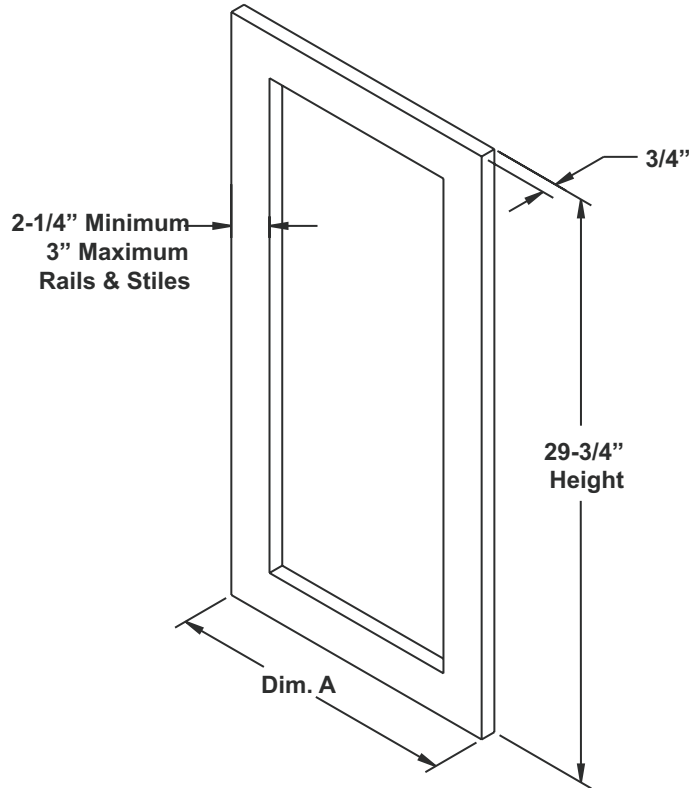
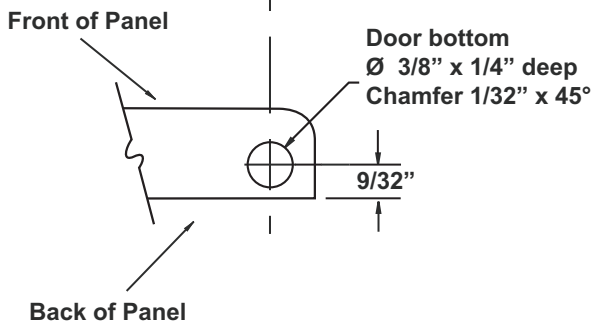
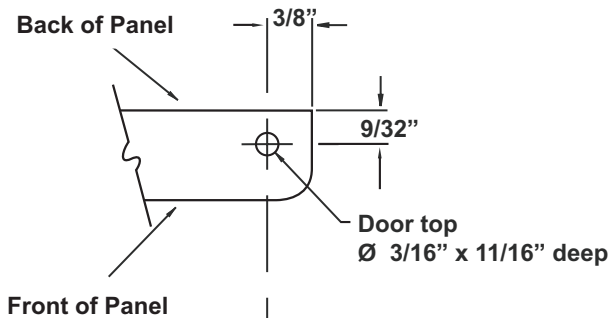
VERIFY YOUR SPECIFIC MODEL NO. WHEN USING THESE OVERLAY INSTRUCTIONS.

Glass Overlay Door Frame Preparation for Models 2275ZWCOL, 2175WCOL2, 2115WCOL2 & 2175BEVOL2

IMPORTANT!

The thickness of the wood overlay must be 3/4".

After making or having the wood frame made, carefully drill holes in the top and bottom of the frame per the templates on the top and bottom of this instruction, or use the following dimensions.



Dim.A: 23-3/4"
2275ZWCOL
2175WCOL2
2175BEVOL2

Dim.A: 14-3/4"
2115WCOL2

www.U-LineService.com

Phone (414) 354-0300 • FAX (414) 354-7905
 Service & Parts Tech Lines Phone (800) 779-2547 • FAX (414) 354-5696
 OnlineService@U-Line.com