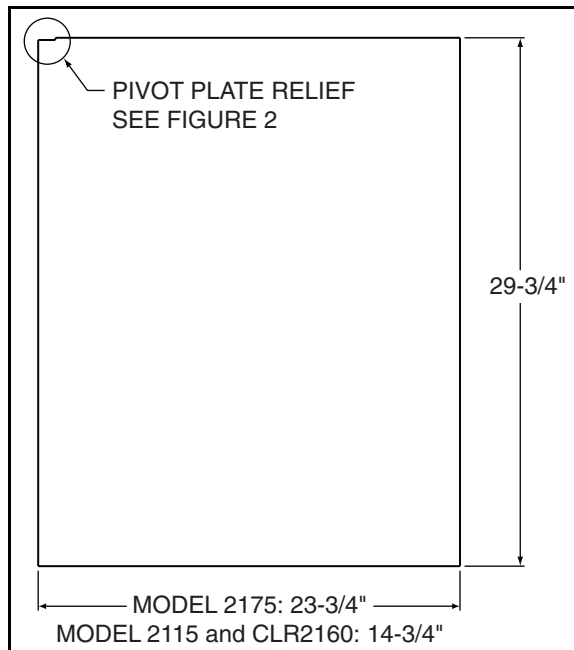


## Full Overlay Panel Preparation for Models 2175, 2115 and CLR2160

### IMPORTANT

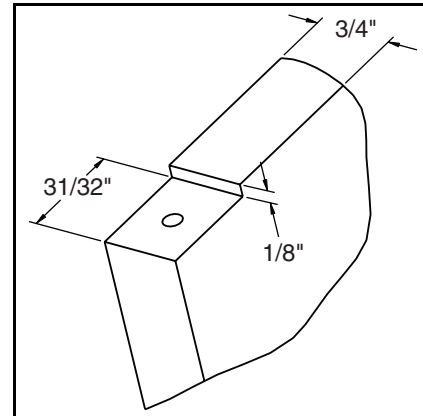
The full overlay door panel must not weigh more than 20 lbs. The thickness of the door panel must be 3/4".

1. Cut door panel to proper size (**Figure 1**). Be sure to note which model the door will be used on.

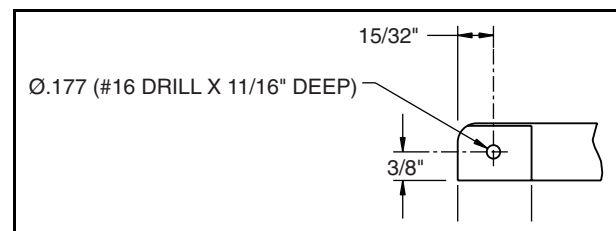


**Figure 1**  
**Rear View of Wood Panel for Right Hand Hinge Shown.**  
Use Mirror Image for Left Hand Hinges.

2. Create a relief (**Figure 2**) for pivot plate by cutting notch in top corner. Refer to the following figures for exact specifications.

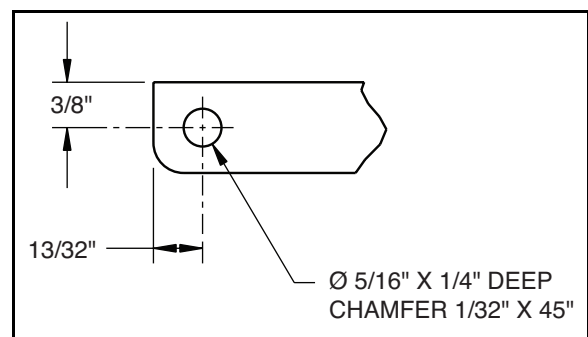


**Figure 2**  
**Relief Notch for Pivot Plate**



**Figure 3A**  
**Top View of Door**

3. Drill hole for upper door hinge (top of panel) (**Figure 3A**).  
0.177" diameter  
(#16 drill) x 11/16" deep
4. Drill hole for lower door hinge (**Figure 3B**).  
5/16" diameter x 1/4" deep



**Figure 3B**  
**Bottom View of Door**

**NOTE:** It is important to ensure that all drilled holes are drilled to the correct depth in order to avoid splits in the wood when hardware is installed.