

Use and Care Manual
Manual de uso y cuidado

3-34
35-70

Microwave oven

Model:
HMV 3051 U
HMV 3061 U
HMV 3021 U



Table of Contents

Safety	5
Important Safety Instructions	5
Microwave utensil guide	11
Getting started	12
Microwave overview	12
Oven specifications	12
Control Panel	13
Operation	14
Manual operation	14
Setting the clock	14
Setting the timer	14
Exhaust High / Low / Off	14
Surface Light / On / Off	14
Control Lock	14
Using EasySet	15
Heating with multiple cooking stages	15
Heating with high power level	15
Heating with lower power levels	16
Using the Pause key	16
Adding cook time (Plus 30 sec.)	16
Setting Defrost (by Weight)	16
Setting Defrost (by Time)	17
Special notes for defrosting by time	17
Defrosting tips	17
Defrosting suggestions for meat	18
Reheat	18
Reheat cooking suggestions	19
Suggested power levels for cooking	19
Suggestions for getting the best results	19
Convenience operation	21
Popcorn	21
Potato	21
Beverage	22
Convenience cooking suggestions	22
Cooking meat in your microwave	22
Cooking poultry in your microwave	23
Cooking eggs in your microwave	23
Cooking vegetables in your microwave	24
Cooking seafood in your microwave	24

Cleaning and Maintenance	25
Cleaning	25
Cleaning suggestions	25
Cleaning the exhaust filters	26
Maintenance	27
Surface light replacement	27
Oven light replacement	28
Charcoal filter replacement	30
Service	31
Troubleshooting	31
Customer service	32
STATEMENT OF LIMITED PRODUCT WARRANTY	32

Safety



Important Safety Instructions

READ AND SAVE THESE INSTRUCTIONS



WARNING: If the information in this manual is not followed exactly, fire or shock may result causing property damage or personal injury.

When using electrical appliances basic safety precautions should be followed, including the following:



WARNING: To reduce the risk of burns, electric shock, fire, injury to persons, or exposure to excessive microwave energy:

Read all instructions before using the appliance.

Read and follow the specific **PRECAUTIONS TO AVOID POSSIBLE EXPOSURE TO EXCESSIVE MICROWAVE ENERGY**

This appliance must be grounded. Connect only to properly grounded outlet (See **GROUNDING INSTRUCTIONS**).

Install or locate this appliance only in accordance with the provided installation instructions.

Some products such as whole eggs with or without shell, narrow neck bottles and sealed containers – for example, closed glass jars – may explode and should not be heated in this oven.

Use this appliance only for its intended use as described in this manual. Do not use corrosive chemicals, vapors, or non-food products in this appliance, they will damage the appliance and may result in radiation leaks. This type of oven is specifically designed to heat, or cook food. It is not designed for industrial or laboratory use.

As with any appliance, close supervision is necessary when used by children. (See **CHILD SAFETY**)

Do not operate this appliance if it has a damaged cord or plug, if it is not working properly, or if it has been damaged or dropped.

This appliance should be serviced only by qualified service personnel. Contact nearest authorized service facility for examination, repair, or adjustment.

Do not cover or block any vents or openings on the appliance.

Do not store this appliance outdoors. Do not use this product near water – for example, near a kitchen sink, in a wet basement, near a swimming pool, or similar locations.

Do not immerse cord or plug in water.

Keep cord away from heated surfaces.

Do not let cord hang over edge of table or counter.



Important Safety Instructions

READ AND SAVE THESE INSTRUCTIONS

Either:

- When cleaning surfaces of the door and oven that come together on closing the door, use only mild, non-abrasive soaps or detergents applied with a sponge or soft cloth

To reduce the risk of fire in the oven cavity:

- Do not overcook food. Carefully attend appliance when paper, plastic, or other combustible materials are placed inside the oven to facilitate cooking
- Remove wire twist-ties from paper or plastic bags before placing bag in oven
- If materials inside the oven ignite, keep oven door closed, turn oven off, and disconnect the power cord, or shut off power at the fuse or circuit breaker panel

PRECAUTIONS TO AVOID POSSIBLE EXPOSURE TO EXCESSIVE MICROWAVE ENERGY

Do not attempt to operate this oven with the door open since open-door operation can result in harmful exposure to microwave energy. It is important not to defeat or tamper with the safety interlocks.

Do not place any object between the oven front face and the door or allow soil or cleaner residue to accumulate on sealing surfaces.

Do not operate the oven if it is damaged. It is particularly important that the oven door close properly and that there is no damage to the:

- door (bent)
- hinges and latches (broken or loosened)
- door seals and sealing surfaces
- The oven should not be adjusted or repaired by anyone except properly qualified service personnel. Improper installation, service or maintenance can cause injury or property damage. Refer to this manual for guidance. Refer all servicing to a factory authorized service center.

Grounding Instructions

This appliance must be grounded. Grounding reduces risk of electric shock by providing an escape wire for the electric current if an electrical short occurs. This oven is equipped with a cord having a grounding wire with a grounding plug. The plug must be plugged into an outlet that is properly installed and grounded.

See **INSTALLATION INSTRUCTIONS**.

Consult a qualified electrician or servicer if grounding instructions are not completely understood, or if doubt exists as to whether the oven is properly grounded.

Do not use an extension cord. If the product power cord is too short, have a qualified electrician install a three-slot receptacle. This oven should be plugged into a separate 60 Hertz circuit with the electrical rating as shown in specifications table. When the oven is on a circuit with other equipment, an increase in cooking times may be required and fuses can be blown.

Microwave operates on standard household current, 110-120 V.



Important Safety Instructions

READ AND SAVE THESE INSTRUCTIONS

TV / Radio Interference

This appliance generates and uses ISM frequency energy. If not installed and used properly, in strict accordance with the manufacturer's instructions, it may cause interference to radio and television reception. It has been type tested and found to comply with limits for ISM equipment pursuant to Part 18 of FCC rules, which are designed to provide reasonable protection against such interference in a residential installation. However, there is no guarantee that interference will not occur in a particular installation. Turn the appliance on and off if it causes interference. Try the following to correct the interference:

- Clean door and sealing surface of the oven
- Reorient the receiving antenna of the radio or television
- Relocate the microwave oven with respect to the receiver
- Move the microwave oven away from the receiver
- Plug the microwave into a different outlet so that the microwave oven and the receiver are on different branch circuits

The manufacturer is not responsible for any radio or television interference caused by unauthorized modification to this microwave oven. It is the responsibility of the user to correct such interference.

Intended Use

This appliance is intended for normal family household use only. It is not approved for outdoor, mobile vehicle, marine, or commercial use. See the warranty. If you have any questions, contact the manufacturer.

Do not use the cavity for storage purposes. Do not leave paper products, cooking utensils, or food in the cavity when not in use.

Do not operate oven when room humidity is excessive.

This oven is suitable for use above both gas and electric cooking equipment 36" (914 mm) or less wide.

Child Safety

Do not allow children to use this appliance unless closely supervised by an adult. Children and pets should not be left alone or unattended in the area where the appliance is in use. They should never be allowed to play in its vicinity, whether or not the appliance is in use.

When children become old enough to use the appliance, it is the legal responsibility of the parents or legal guardians to ensure that they are instructed in safe practices by qualified persons

Do not allow anyone to climb, stand, lean, sit or hang on any part of an appliance. This can damage the appliance, potentially causing severe injury.

Cleaning Safety

Clean exhaust filters frequently – Do not allow grease to accumulate on the hood or filters. Fire could result.

Use care when cleaning the exhaust filters. Corrosive cleaning agents, such as lye-based oven cleaners may damage the filter (Refer to the **CLEANING** section in this manual).

Clean turntable roller rest and oven floor frequently to prevent excessive noise.



Important Safety Instructions

READ AND SAVE THESE INSTRUCTIONS

Cooking Safety



CAUTION: To avoid personal injury or property damage, observe the following:

Do not leave oven unattended while in use.

Do not store flammable materials next to or in the oven.

When flaming foods under the microwave, always turn the fan on.

Do not operate the oven while empty. This could damage the oven and result in a risk of fire.

Do not store or use corrosive chemicals, vapors, flammables or nonfood products in or near this appliance. It is specifically designed for use when heating or cooking food. The use of corrosive chemicals in heating or cleaning will damage the appliance and could result in injury.

Do not dry clothes, newspapers or other materials in the oven. Do not use newspapers or paper bags for cooking. Fire could result.

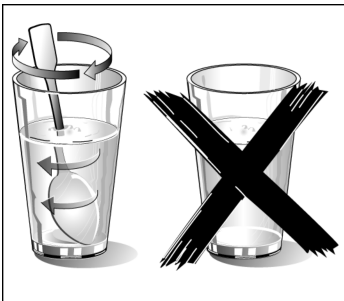
Do not use recycled paper products unless labeled safe for microwave use. They may contain impurities which may cause sparks and result in fires when used.

In Case of Fire

If materials inside the oven should ignite:

1. Keep door closed
2. Turn appliance off
3. Unplug the appliance or shut off at fuse or circuit breaker

Liquids



Liquids, such as water, coffee, or tea could be overheated. They can be heated beyond the boiling point without appearing to boil. For example, visible bubbling or boiling when the container is removed from the microwave oven is not always present. THIS COULD RESULT IN VERY HOT LIQUIDS SUDDENLY BOILING OVER WHEN THE CONTAINER IS DISTURBED OR A UTENSIL IS INSERTED INTO THE LIQUID.

To reduce the risk of injury to persons:

- Do not overheat the liquid
- Stir the liquid both before and halfway through heating
- Use extreme care when inserting a spoon or other utensil into the container.
- Do not use straight sided containers with narrow necks
- After heating, allow the container to stand in the microwave oven for a short time before removing

Eggs

Do not cook or reheat whole eggs, with or without shell. Steam buildup in whole eggs may cause them to explode, and possibly damage the oven or cause injury. Reheating sliced hard-boiled eggs and cooking **scrambled** eggs is safe.



Important Safety Instructions

READ AND SAVE THESE INSTRUCTIONS

Popcorn

Use only popcorn in packages designed and labeled for microwave use, or pop it in a microwave oven corn popper. Follow popcorn manufacturers' directions and use a brand suitable for the wattage of your oven. Do not continue to heat after popping has stopped. Popcorn will scorch or burn. Do not leave oven unattended.



CAUTION: When using pre-packaged microwave popcorn, check package weight before using the popcorn pad. Set the oven for the weight of the popcorn package. If these instructions are not followed, popcorn may not pop adequately or may ignite and cause fire.

Foods with nonporous skins

Potatoes, tomatoes, apples, whole squash and sausages are examples of foods with nonporous skins. These types of foods must be pierced before cooking to prevent them from exploding.

Baby formula / Baby food

Do not heat baby bottles or food in microwave oven. The glass jar or the surface of food may appear warm while the interior can burn the infant's mouth and esophagus.

Deep fat frying

Do not deep fat fry in oven. Oil can be heated beyond ideal temperatures very quickly in a microwave oven. Temperatures can climb high enough for the cooking oils to reach their respective flash points and burst into flames. The heated oil may bubble and spatter causing possible damage to the oven and perhaps result in burns. Additionally, microwave-safe utensils may not be able to withstand the temperature of the hot oil, and could result in the utensil shattering, if it contains a slight imperfection, scratch or chip.

Home Canning / Drying foods / Small quantities of foods

Do not use microwave oven for home canning or heating of any closed jar. Pressure will build up and the jar may explode. In addition, the oven cannot maintain the food at the proper canning temperature. Improperly canned food may spoil and be dangerous to consume.

Small quantities of food or foods with low moisture content can dry out, burn or catch on fire.

Do not dry meats, herbs, fruits or vegetables in your oven.

Proper cooking depends on time set and weight of food. If you use a smaller portion than recommended and cook at the time for the recommended portion, fire could result.

Cooking Utensils

See also **Microwave utensil guide**.

Cooking utensils and the glass tray get hot during microwaving. Always use potholders when removing items from the oven. Allow to cool the glass tray before handling.

Do not use metal utensils, or dishes with metallic trim in the oven.

When using aluminum foil in the oven, allow at least 1" (25,4 mm) of space between foil and interior oven walls or door.



Important Safety Instructions

READ AND SAVE THESE INSTRUCTIONS

The glass tray will get hot during cooking. cooking container and the glass tray can be hot even if the oven is cool.

Never use paper, plastic, or other combustible materials that are not intended for cooking.

When cooking with paper, plastic, or other combustible materials, follow manufacturer's recommendations on product use.

Do not use paper towels which contain nylon or synthetic fibers. Heated synthetics could melt and cause paper to ignite.

Do not heat sealed containers or plastic bags in oven. Food or liquid could expand quickly and cause container or bag to break. Pierce or open container or bag before cooking.

Browning dishes / Oven Cooking Bags

Microwave browning dishes or grills are designed for microwave cooking only. Preheating times vary depending on the size of the browning dish and food being cooked. Always follow instructions provided by the browning dish or grill manufacturer. Do not preheat browning dishes more than 6 minutes.

If an oven bag is used for microwave cooking, prepare according to package directions. Do not use wire twist-ties to close bags, instead use nylon ties, cotton string or a strip cut from the open end of the bag. Make six 1/2" (12,7 mm) slits by closure. Place oven cooking bag in a dish slightly larger than the food being cooked.

Glass Tray / Turntable Ring

Do not operate the oven without the turntable ring and the glass tray in place.

Do not operate the oven without the glass tray in place. Improper cooking or damage to the oven could result. Verify that the glass tray is properly positioned and turning when the oven is in use.

Note: The glass tray can turn in either direction.

Only use the glass tray designed for this oven. Do not substitute any other tray.

Allow the glass tray to cool before cleaning or placing in water.

Do not place food directly on the glass tray. Always place food in a microwave safe dish.

Always replace the turntable ring and the glass tray in their proper positions.

The turntable ring must always be used for cooking along with the glass tray.

Fan Motor Operation

After using the oven the fan motor can rotate to cool the electric components. This is perfectly normal, and you can take out the food from the oven while the fan operates.

Room Venting with Carbon Filter

The charcoal filter, which was enclosed with your microwave oven, binds the odorous substances.

Note: If no charcoal filter is installed, it is not possible to bind the odorous substances in the cooking vapours.



Important Safety Instructions

READ AND SAVE THESE INSTRUCTIONS

Exhaust Mode Operation

When the microwave is operated in exhaust mode simultaneously with a different burner, care must be taken to ensure that there is an adequate supply of fresh air which will be needed by the burner for combustion.



CAUTION: Avoid carbon monoxide poisoning – Provide adequate air intake so combustion gases are not drawn back into the room.

Thermometers

Do not use regular cooking thermometers in oven. Most cooking thermometers contain mercury and may cause electrical arc, malfunction, or damage to the oven.

Pacemakers

To avoid pacemaker malfunction, consult physician or pacemaker manufacturer about effects of microwave energy on pacemaker.

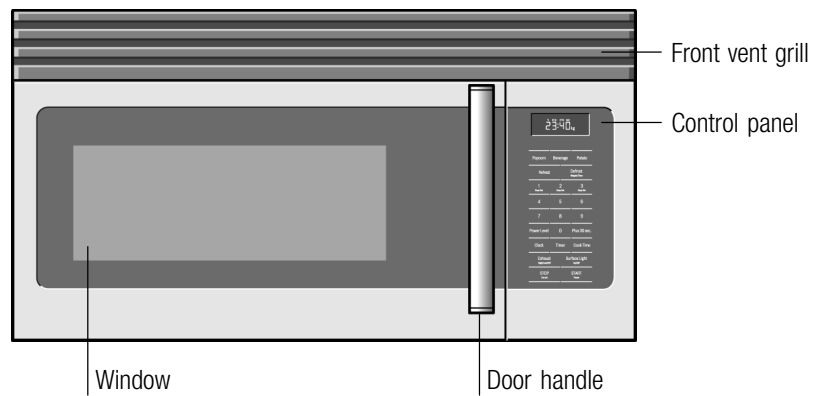
Microwave utensil guide

Use	Do not use
<p>Oven proof glass (specifically treated for high intensity heat):</p> <p>Utility dishes, loaf dishes, pie plates, cake plates, liquid measuring cups, casseroles and bowls without metallic trim.</p> <p>China:</p> <p>Bowls, cups, serving plates and platters without metallic trim.</p> <p>Plastic:</p> <p>Plastic wrap (as a cover) – lay the plastic wrap loosely over the dish and press it to the sides. Vent plastic wrap by turning back one edge slightly to allow excess steam to escape. The dish should be deep enough so that the plastic wrap will not touch the food. Use plastic dishes, cups, semi-rigid freezer containers and plastic bags for short cooking times. Use these with care because the plastic may soften from the heat of the food.</p> <p>Paper:</p> <p>Paper towels, waxed paper, paper napkins and paper plates with no metallic trim or design. Look for the manufacturer's label for any special instructions for use in the microwave oven.</p>	<p>Metal utensils:</p> <p>Metal shields the food from microwave energy and produces uneven cooking. Also, avoid metal skewers, thermometers or foil trays. Metal utensils can cause arcing, which can damage your microwave oven.</p> <p>Metal decoration:</p> <p>Bowls, cups, serving plates and platters without metallic trim.</p> <p>Aluminum foil:</p> <p>Avoid large sheets of aluminum foil because they hinder cooking and may cause harmful arcing. Use small pieces of foil to shield poultry legs and wings. Keep ALL aluminum foil at least 1 inch from the side walls of the oven cavity and door of the microwave.</p> <p>Wood:</p> <p>Wooden bowls and boards will dry out and may split or crack when you use them in the microwave oven. Baskets made of wood will react in the same way.</p> <p>Tightly covered utensils:</p> <p>Be sure to leave openings for steam to escape from covered cookware. Pierce plastic pouches of vegetables or other food items before cooking. Tightly closed pouches may explode.</p> <p>Brown paper:</p> <p>Avoid using brown paper bags. They absorb heat and can burn.</p> <p>Flawed or chipped cooking utensils:</p> <p>Any utensil that is cracked, flawed or chipped may break in the oven.</p> <p>Metal twist ties:</p> <p>Remove metal twist ties from plastic or paper bags. They become hot and could cause a fire.</p>

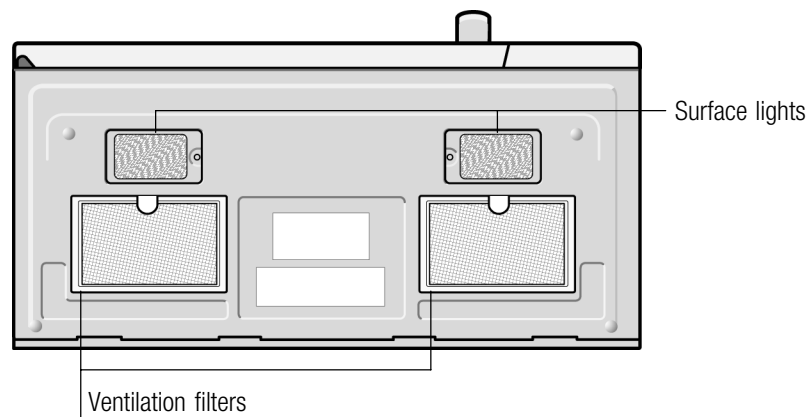
Getting started

Microwave overview

Front view



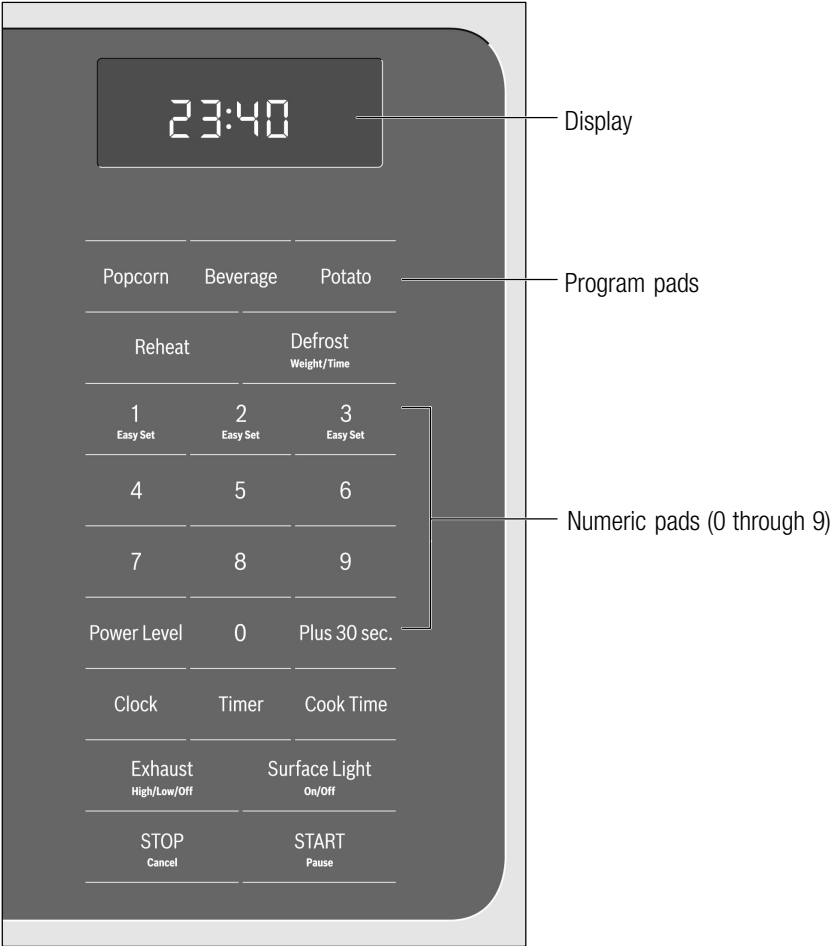
Bottom view



Oven specifications

Power Supply	120 V AC, 60 Hz
Input Power	1.550 W
Cooking Power	1.000 W
Frequency	2.450 MHz
Cavity Volume	1.6 cubic ft. (45 L)
Net Weight	55.2 lbs. (25 kg)

Control Panel



Operation

Manual operation

Setting the clock

Example: setting clock display for 9:00:

1. Touch **Clock** pad once or twice to select AM or PM.
2. Enter time using number pads.
3. Touch **Clock** pad again.

Setting the timer

Example: setting timer for 5 minutes:

1. Touch **Timer** pad once.
2. Enter desired time using number pads.
3. Touch **Timer** pad.

When the timer has reached the end of set time, **OFF** appears in the display and you will hear permanent beep alerts indicating the timer has run out.

To stop the beep, touch **Timer** pad or open door.

Exhaust High / Low / Off

The exhaust ventilation moves steam and other cooking vapors from the cooking surface of the range below the microwave oven.

To operate the exhaust vent, Touch the **Exhaust High/Low/Off** pad once for the highest speed setting. Touch the pad again to choose the Low speed setting and a 3rd time to turn the exhaust ventilation off.

Note: If the temperature gets too hot around the microwave oven, the fan in the exhaust vent hood will automatically turn on at the LOW setting to cool the oven. The fan will automatically turn off when the internal parts are cool. When this occurs, the vent cannot be turned off.

Surface Light / On / Off

Touch the **Surface Light/On/Off** pad once for a cooking surface light. Press the pad again to turn the light off.

Control Lock

You may lock the control panel to prevent the microwave from being accidentally started or used by children.

The control lock feature is very useful when cleaning the control panel. The lock will prevent accidental programming when wiping the control panel clean.

Example: to set the control lock ON:

Touch and hold the **Stop/Cancel** pad for more than 3 seconds. The Lock icon will appear in the display window along with 2 beeps.

Example: to change the control lock from ON to OFF:

Touch and hold the Stop/Cancel pad for more than 3 seconds. The Lock icon will disappear in the display window.

Using EasySet

Microwave heating or cooking may be quickly set at 100% power level for 1, 2 or 3 minutes. Use the number keys 1, 2 or 3 to choose the desired minutes of cook time (this option will only work using the 1, 2 or 3 numeric pads):

Example: to quickly heat for 2 minutes at 100% power:

Touch number pads 1, 2 or 3 for desired minutes of cook time.

Note: The EasySet function cannot be set when using the Defrost (by weight) feature.

Heating with multiple cooking stages

For best results, some microwave recipes call for different power levels or different lengths of time for cooking. Your microwave may be set to change from one stage to another automatically (2 stages maximum).

Example: to cook food for 3 minutes at 80% power and then 50% power for 6 minutes 30 seconds:

1. Press **Cook Time**.
2. Use the number pads to enter heating time for the 1st stage (cook time may be set up to 99 minutes and 99 seconds).
3. Press **Power Level** pad once.
4. Use the number keys to enter power level for the 1st stage. **PL8** appears in the display (80 % power).
5. Press **Cook Time** pad for 2nd stage.
6. Use the number pads to enter heating time for the 2nd stage (cook time may be set up to 99 minutes and 99 seconds).
7. Press **Power Level** pad for 2nd stage.
8. Use the number key to enter power level for the 2nd stage. **PL5** appears in the display (50 % power).
9. Press **START** pad.

When heating has finished you will hear 5 beeps and "Good" will display.

Touch **STOP** pad or open door.

Heating with high power level

Example: to heat for 5 minutes at 100% power:

1. Press **Cook Time** pad.
2. Use the number pads to enter desired heating time (cook time may be set up to 99 minutes and 99 seconds).
3. Touch **START** pad.

When heating has finished you will hear 5 beeps and "Good" will display.

Touch **STOP** pad or open door.

Heating with lower power levels

Using the highest power level to heat foods with does not always give the best results when some types of food need slower cooking, such as roasts, baked goods or custards. Your oven has nine other power levels you may choose.

Example: to heat for 4 minutes at 70% power:

1. Press **Cook Time**.
2. Use the number pads to enter desired heating time (cook time may be set up to 99 minutes and 99 seconds).
3. Press **Power Level** pad once for power level 10 (100% power).
4. Use the number key to change the power level to 7. **PL7** appears in the display (70 % power).
5. Press **START** pad.

When heating has finished you will hear 5 beeps and "Good" will display.

Touch **STOP** pad or open door.

Using the Pause key

If at anytime your microwave recipe would require that the food be turned or require you to stop the microwave during the cooking process you may do so after starting the microwave with the START/Pause pad.

Example: To pause the microwave during cooking:

1. Touch START/Pause pad once.
2. Touch START/Pause pad again to resume cooking.

Adding cook time (Plus 30 sec.)

This time-saving feature will let you quickly add 30 seconds to any cook time already set when cooking at a 100% power level. This feature may only be used while cooking and with cook time remaining. Each press of this pad will add 30 seconds to the cook time.

Example: to add 1 minute of cook time at the default power level of 100%:

Press Plus 30 sec. pad twice.

Setting Defrost (by Weight)

Example: to defrost 1lb. (454g) of food with the default power level and cook time determined automatically:

1. Press Defrost pad once. 0.0 will appear in the display.
2. Use the numeric pads to input weight of food to defrost in pounds (10 = 1lb.) You may enter any weight from 0.1 to 6.0lbs.
3. Press START pad.

When defrosting has finished you will hear 5 beeps and "Good" will display.

Touch **STOP** pad or open door.

Note: The weight amount must be a valid entry for this feature to start. A valid weight entry is 0.1 to 6.0 pounds.

Setting Defrost (by Time)

Example: to defrost food with the default 30% power level for 5 minutes:

1. Press Defrost pad twice. 0:00 will appear in the display.
2. Use the number pads to enter desired defrost time (defrost time may be set up to 99 minutes and 99 seconds).
3. Press START pad.

When heating has finished you will hear 5 beeps and "Good" will display.

Touch **STOP** pad or open door.

Note: Power levels cannot be changed for both defrost (by weight) or defrost (by time) because the defrost performance will be adversely affected.

Special notes for defrosting by time

- After pressing START/Pause key, the display will count down remaining defrost time. The oven will beep twice during the defrost cycle. At this time open the door and turn the food if needed and remove any portions that have already thawed. Touch the START/Pause key to resume the defrost cycle.
- When heating has finished you will hear 5 beeps.

Defrosting tips

- When using the defrost weight feature, the weight entered should always be pounds (valid entries are from 0.1 to 6.0 pounds).
- Use both defrost weight and defrost time features for raw food items only. Defrosting gives best results when food to be thawed is a minimum of 0°F (taken directly from a true freezer). If the food has been stored in a refrigerator-freezer that does not maintain a temperature of 5° F or below, always program a lower food weight or lower cook time to prevent cooking the food.
- If the frozen food is stored outside the freezer for up to 20 minutes, enter a reduced cook time or weight.
- The shape of the package will alter the defrosting time. Shallow rectangular food packets defrost more quickly than a deep frozen block of food.
- Separate pieces as they begin to defrost. Separated frozen pieces of food defrost better.
- Shield warm areas of food with small pieces of foil if they start to become warm.
- You may use small pieces of aluminum foil to shield food items like chicken wings, leg tips and fish tails, but do not allow the foil to touch the oven cavity walls when defrosting.

Defrosting suggestions for meat

For best results, please read these suggestions when defrosting meat.

Meat	Normal amount	Suggestions
Roast beef or pork	2.5 to 6 lbs. (40 to 96 oz.)	Start with the food placed fat side down. After each stage, turn the food over and shield any warm portions with narrow strips of aluminum foil. Let stand, covered for 15-30 minutes.
Steaks, chops or fish	0.5 to 3 lbs. (8 to 48 oz.)	After each stage, rearrange the food. If there are any warm or thawed portions of food, shield them with narrow flat pieces of aluminum foil. Remove any pieces of food that are nearly defrosted. Let stand, covered for about 5 to 10 minutes.
Ground meat	0.5 to 3 lbs. (8 to 48 oz.)	After each stage, remove any pieces of food that are nearly defrosted. Let stand, covered with foil for 5 to 10 minutes.
Whole chicken	2.5 to 6 lbs. (40 to 96 oz.)	Remove giblets before freezing poultry. Start defrosting with the breast side down. After the 1st stage, turn the chicken over and shield any warm portions with narrow strips of aluminum foil. After the 2nd stage, again shield any warm portions with narrow strips of aluminum foil. Let stand, covered, for 30 to 60 minutes in the refrigerator.
Chicken pieces	0.5 to 3 lbs. (8 to 48 oz.)	After each stage, rearrange or remove any pieces of food that are nearly defrosted. Let stand for 10-20 minutes.

Reheat

The reheat feature provides 3 quick preset settings based on serving size to reheat food for your cooking convenience.

Example: to reheat 24 ounces of food.

1. Press Reheat pad 3 times to reheat 24oz. of food.

24oz will appear in the display (see reheat category table).

2. Press START pad.

Reheat Category	Press	Display
8 oz. of food	once	8 oz
16 oz. of food	twice	16 oz
24 oz. of food	3 times	24 oz

Reheat cooking suggestions

Reheat	Directions	Amount
Dinner plate	Use only pre-cooked, refrigerated foods. Cover plate with vented plastic wrap or waxed paper, tucked under plate. If food is not as hot as you prefer after heating with Reheat , continue heating using manual time and power level settings. Contents: <ul style="list-style-type: none">• 3–4 oz. meat, poultry or fish (up to 6 oz. with bone)• ½ cup starch (potatoes, pasta, rice, etc.)• ½ cup of vegetables (about 3–4 oz.)	1 serving (1 plate)
Casserole	Cover plate with lid or vented plastic wrap. If food is not as hot as you prefer after heating with Reheat , continue heating using manual time and power level settings.	1 to 4 servings
Pasta	Stir foods once before serving. Contents: <ul style="list-style-type: none">• Casserole-refrigerated foods (for example beef stew or lasagna)• Pasta-Canned spaghetti and ravioli, refrigerated foods.	

Suggested power levels for cooking

The 10 power levels available with this microwave will help you to adjust to the power output best suited for the food type you are preparing. As with any food preparation in the microwave, it is best to follow the microwave instructions that are printed on food packaging.

The table below provides suggested power levels for various types of food that you can prepare in the microwave.

Suggestions for getting the best results

To help you achieve the best possible results from your microwave oven, read the following suggestions below:

- **Storage temperature**
Foods taken from the freezer or refrigerator take longer to cook than the same foods would at room temperature.
- **Size**
Small pieces of food cook faster than large ones. Pieces similar in size and shape will cook more evenly when cooked together. For more even results, reduce the power levels when cooking large pieces of food.
- **Natural moisture**
Very moist foods cook more evenly because microwave energy heats water molecules very efficiently.
- **Stirring**
Stir foods such as casseroles and vegetable from the outside to the center to distribute the heat more evenly. This will allow the food to cook faster. Constant stirring is not necessary.
- **Turn over items**
Turn over foods such as pork chops, roasts or whole cauliflower halfway through the cook time. This will help to expose all sides equally to microwave energy.
- **Food placement**
Place delicate areas of food items, such as asparagus tips, toward the center of the turntable tray.
- **Food arrangement**
Arrange unevenly shaped foods, such as chicken pieces or salmon, with the thicker or meatier parts toward the outside of the turntable tray.

- **Let the food stand**

After removing the food from the microwave, cover the food with foil or a casserole lid and let it stand to finish cooking. This will help the food finish in the center and avoids overcooking the out edges, The length of stand time depends on the density and surface area of the food items.

- **Wrapping in paper towels or waxed paper**

Sandwiches and many other food types containing pre-baked bread should be wrapped prior to placing in the microwave to help prevent the food items from drying out while heating.

Power level	Microwave output	Use to prepare when:
10 High	100%	Boiling water Cooking ground beef Making candy Cooking fresh fruits & vegetables Cooking fish & poultry Preheating browning dish Reheating beverages Cooking bacon slices
9	90%	Reheating meat slices quickly Saute onions, celery & green peppers
8	80%	All reheating Cooking scrambled eggs.
7	70%	Cooking breads & cereal products Cooking cheese dishes & veal Cakes, muffins, brownies & cupcakes Cooking whole poultry
6	60%	Cooking pasta
5	50%	Cooking meat Cooking custard Cooking spare ribs, rib roast & sirloin roast
4	40%	Cooking less tender cuts of meat Reheating frozen packaged foods
3	30%	Thawing meat, poultry & seafood Cooking small quantities of food Finish cooking casseroles, stew & some sauces
2	20%	Softening butter & cream cheese Heating small amounts of food
1	10%	Softening ice cream Raise yeast dough

Convenience operation

Popcorn



CAUTION: Do not leave microwave oven unattended while popping corn.

The popcorn feature lets you pop 3 different commercially packaged microwave popcorn sized bags. Use the table below to determine the setting to use.

Amount	Press popcorn pad
1.75 oz. (default setting)	once
3.0 oz.	twice
3.5 oz.	3 times

Example: to pop a 3.0 oz. bag of popcorn automatically:

1. Press Popcorn pad (1, 2 or 3 times – refer to table above to change for bag size)
2. Press START pad.

When heating has finished you will hear 5 beeps and "Good" will display.

Touch **STOP** pad or open door.

Potato

The potato feature cooks 1, 2 or 3 (cooking times based on 8 to 24 oz.) potatoes automatically. Use the table below to determine the setting to use.

Amount	Press potato pad
1 potato (default setting)	once
2 potatoes	twice
3 potatoes	3 times

Example: to cook 1 potato automatically:

1. Press Potato pad (1, 2 or 3 times – refer to table above to change quantity).
2. Press START pad.

When heating has finished you will hear 5 beeps and "Good" will display.

Touch **STOP** pad or open door.

Note:

- Before cooking, pierce potatoes with fork several times
- After cookings, let potatoes stand for 5 minutes

Beverage

The beverage feature heats 1, 2 or 3 cups of beverage. Use the table below to determine the setting to use.

Amount	Press beverage pad
1 cup (about 8 oz.)	once
2 cups (about 16 oz.)	twice
3 cups (about 24 oz.)	3 times

Example: to heat 1 cup of a beverage:

1. Press Beverage pad (1, 2 or 3 times –refer to table above to change number of servings).
2. Press START pad.

When heating has finished you will hear 5 beeps and "Good" will display.

Touch **STOP** pad or open door.

Convenience cooking suggestions

Convenience category	Amount	Suggestions
Popcorn	1.75,3.0, 3.5 oz. 1 pkg.	Cook a single "microwave-only" bag of popcorn at a time. Use caution when removing and opening the hot popcorn bag from the oven. Let microwave oven cool down at least 5 minutes before using again.
Potato	1,2,3 potatoes 8,16,24 oz.	Pierce each potato several times using a fork. Place on turntable in spoke-like fashion. After cooking, let stand for 3-5 minutes. Let oven cool for at least 5 minutes before using again. Use the start/+30sec pad to increase cook time for larger potatoes.
Beverage	1,2,3 cups (8 oz, 16 oz, 24 oz.)	Use a microwave-safe measuring cup or mug; do not cover. Place the beverage in the microwave. After heating, stir well. Let oven cool for at least 5 minutes before using again. Beverages heated with the beverage category may be very hot. Remove the container with care.

Cooking meat in your microwave

Be sure to place prepared meats on a microwave-safe roasting rack in a microwave-safe dish. Start cooking the meat fat side down and if necessary, use narrow strips of aluminum foil to shield any bone tips or thin meat areas. After cooking, check the temperature in several places before letting the meat stand the recommended time. Please note that the temperatures in the following charts are temperatures at removal time; the temperature will rise during the standing period.

Meat	Power level	Cook time	Directions
Roast beef boneless (up to 4 lbs.)	High (10) for first 5 minutes, then medium (5)	12-17 min./lb. for 160° F (Medium)	Place roast beef fat-side down on roasting rack. Cover with wax paper. Turn over half way through cooking. Let stand* 10-15 minutes.
		14-19 min./lb. for 170° F (Well Done)	
Roast pork boneless or bone-in (up to 4 lbs.)	High (10) for first 5 minutes, then medium (5)	15-20 min./lb. for 170° F (Well Done)	Place roast pork fat-side down on roasting rack. Cover with wax paper. Turn over half way through cooking. Let stand* 10-15 minutes.

* Expect a 10° F rise in the temperature during the standing period.

Meat	Doneness	Remove from oven	After standing (10-15 min.)
Beef	Medium	150° F	150° F
	Well done	160° F	160° F
Pork	Medium	150° F	150° F
	Well done	160° F	160° F
Poultry	Dark meat	170° F	170° F
	Light meat	160° F	160° F

Cooking poultry in your microwave

Be sure to place poultry on a microwave-safe roasting rack in a microwave-safe dish. Cover poultry with wax paper to prevent splattering. Use narrow strips of aluminum foil to shield any bone tips or thin meat areas, or areas that start to overcook. After cooking, check the temperature in several places before letting the meat stand the recommended time.

Meat	Power level	Cook time	Directions
Whole chicken (up to 4 lbs.)	medium high (7) 180° F dark meat 170° F dark meat	7-10 min. /lb	Place chicken breast-side down on roasting rack. Cover with wax paper. Turn over half way through cooking. Cook until juices run clear and meat near bone is no longer pink. Let stand for 5-10 min.
Chicken pieces (up to 4 lbs.)	medium high (7) 180° F dark meat 170° F dark meat	7-10 min. /lb.	Place chicken bone-side down on dish, with thickest portions toward the inside of dish. Cover with wax paper. Turn over half way through cooking. Cook until juices run clear and meat near bone is no longer pink. Let stand for 5-10 min.

Cooking eggs in your microwave

- Never cook eggs in the shell and never warm hard-cooked eggs in the shell; they can explode
- Always pierce whole eggs to keep them from bursting
- Cook eggs just until set; they will become tough if overcooked

Cooking vegetables in your microwave

- Vegetables should be washed just before cooking. Rarely is extra water needed. If dense vegetables such as potatoes, carrots and greens are being cooked, add about ¼ cup of water
- Small vegetables (sliced carrots, peas, lima beans, etc.) will cook faster than larger vegetables
- Whole vegetables, such as potatoes, acorn squash or corn on the cob, should be arranged in a circle on the turntable before cooking. They will cook more evenly if turned over halfway through cooking
- Always place vegetables like asparagus and broccoli with the stem ends pointing towards the edge of the dish and the tips toward the center
- When cooking cut vegetables, always cover the dish with a lid or vented microwavable plastic wrap
- Whole, unpeeled vegetables such as potatoes, squash, eggplant, etc., should have their skin pricked in several locations before cooking to prevent them from bursting
- For more even cooking, stir or rearrange whole vegetables halfway through the cook time
- Most of the time, the denser the food the longer the required standing time. For example, a baked potato should stand for 5 minutes before serving, while a dish of peas may be served immediately

Cooking seafood in your microwave

Place fish on a microwave-safe roasting rack in a microwave-safe dish. Be sure to always cook fish until it flakes easily with a fork. Use a tight cover to steam fish; a lighter cover of wax paper or paper towel provides less steaming. And be sure not to overcook fish; check it for doneness at a minimum cooking time before cooking longer.

Seafood	Power level	Cook time	Directions
Fish steaks Up to 1½ lbs.	medium high (7)	7-11 min. /lb	Arrange fish on roasting rack with meaty portions towards the outside of rack. Cover with wax paper. Turn over and rearrange halfway through cook time. Cook until fish flakes easily with fork. Let stand 3-5 mins.
Fish fillets Up to 1½ lbs.	medium high (7)	4-8 min. /lb.	Arrange fillets in a baking dish, turning any thin pieces under. Cover with wax paper. If over ½ inch thick, turn over and rearrange halfway through cook time. Cook until fish flakes easily with fork. Let stand 2-3 mins.
Shrimp Up to 1½ lbs.	medium high (7)	4-6½ min./lb.	Arrange shrimp in a baking dish without overlapping or layering. Cover with wax paper. Cook until firm and opaque, stirring 2 or 3 times. Let stand 5 mins.

Cleaning and Maintenance

Cleaning

Cleaning suggestions

For best performance and for safety reasons, keep the oven clean inside and outside. Take special care to keep the inner door panel and oven front frame free of food and grease build-up.

Never use rough scouring powder or pads on the microwave. Wipe the microwave oven inside and out with a soft cloth and a warm (not hot) mild detergent solution. Then rinse and wipe completely dry.

Wipe spatters immediately with a wet paper towel, especially after cooking greasy foods like chicken or bacon.

Clean your microwave oven weekly or more often, if needed.

Follow these instructions to clean and care for your microwave oven:

Keep the inside (cavity) of the oven clean. Food particles and spilled liquids can stick to the oven walls, causing the oven to work less efficiently.

Wipe up spills immediately. Use a damp, clean cloth and mild soap. **DO NOT** use harsh detergents or abrasive cleaners.

To help loosen baked-on food particles or liquids, heat 2 cups of water (add the juice of 1 lemon if you desire to keep the oven fresh smelling) in a 4 cup measuring glass at High power for 5 minutes or until boiling. Let stand in oven cavity for 1 or 2 minutes.

Remove the glass turntable tray from the oven when cleaning the oven cavity or tray. To prevent the glass turntable from breaking, handle with care and do not put it in water immediately after cooking. Wash the turntable tray in warm sudsy water or in the dishwasher.

Clean the outside surface of the microwave with soap and a clean damp cloth. Dry with a clean soft cloth. To prevent damage to the operating parts of the oven, do not let water seep into any vents or openings.

Wash the oven door window with very mild soap and water. Be sure to use a soft clean cloth to avoid scratching.

If steam accumulates inside or outside the oven door, wipe with a soft cloth. Steam can accumulate when operating the oven in high humidity and in no way indicates microwave leakage.

Never operate the oven without food in the oven cavity; this can damage the magnetron tube or glass tray. You may wish to leave a cup of water standing inside the oven when it is not in use to prevent damage if the oven is accidentally turned on.

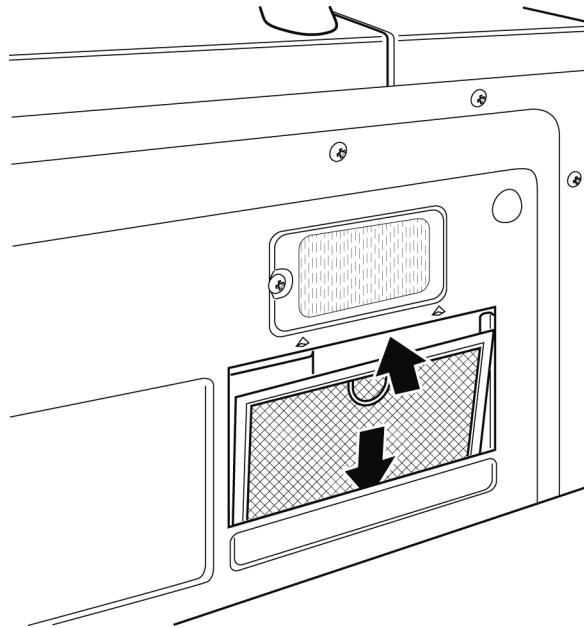
Cleaning the exhaust filters

The oven ventilation exhaust filters should be removed and cleaned often; generally at least once every month.



CAUTION: To avoid risk of personal injury or property damage, do not operate oven hood without filters properly in place.

1. To remove the exhaust ventilation filters, slide the filter to the rear. Then pull filter downward and push to the other side. The filter will drop out. Repeat for the 2nd filter.



2. Soak the ventilation filters in hot water using a mild detergent. Rinse well and shake to dry. Do not use ammonia or wash in a dishwasher. The aluminum on the filter will corrode and darken.
3. To reinstall the exhaust ventilation filter, slide it into the side slot, then push up and toward oven to lock. Reinstall the 2nd filter using the same procedure.

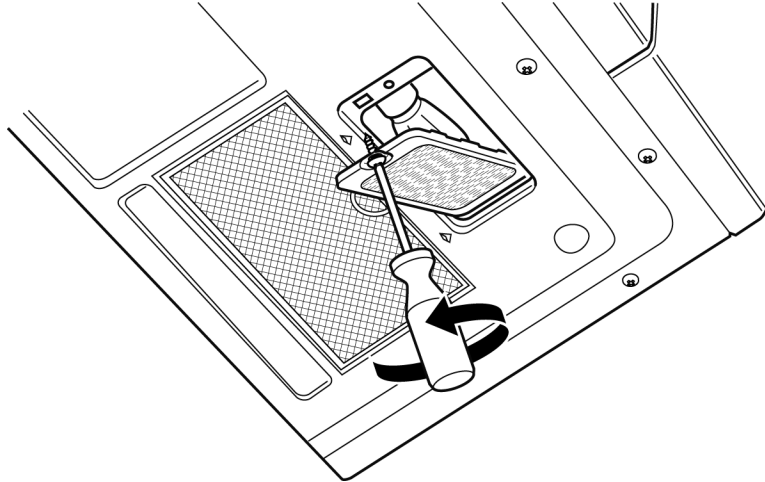
Maintenance

Surface light replacement

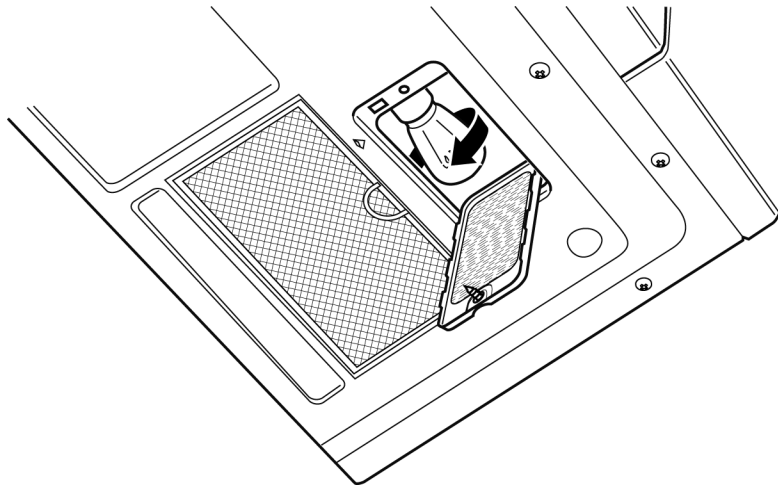


CAUTION: To avoid risk of personal injury or property damage, wear gloves when replacing the light bulbs.

1. Unplug the microwave oven or turn off power at the main circuit breaker.
2. Remove the bulb cover mounting screws at both light positions under the microwave.



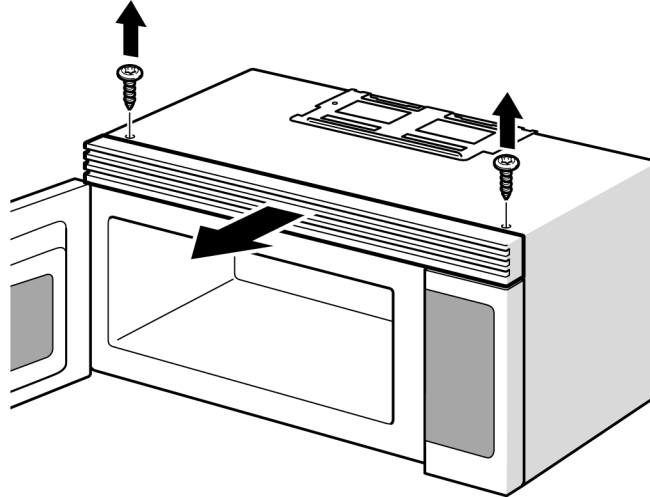
3. Replace bulb with 30 watt appliance bulb.



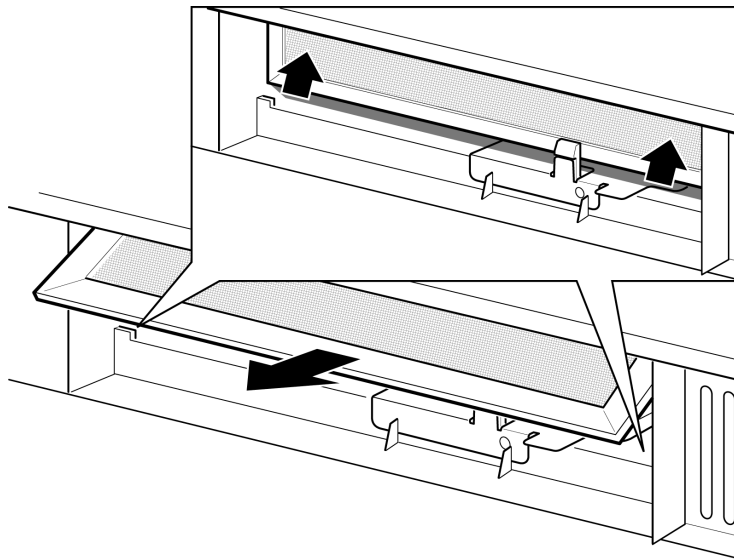
4. Replace bulb cover and mounting screw.
5. Plug the microwave back into the power supply or turn the power back on at the main circuit breaker.

Oven light replacement

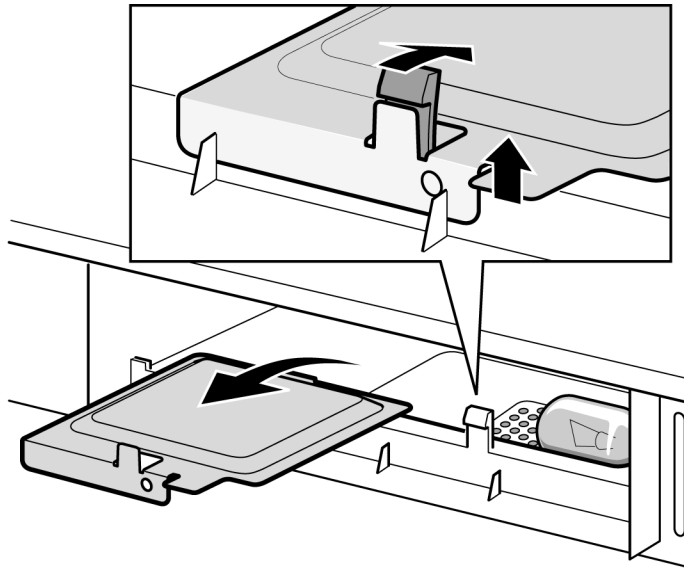
1. To replace light bulb, first disconnect power to the microwave oven at the circuit breaker panel or by unplugging.
2. Remove the vent grill mounting screws.
3. Pull the vent grill away from the unit.



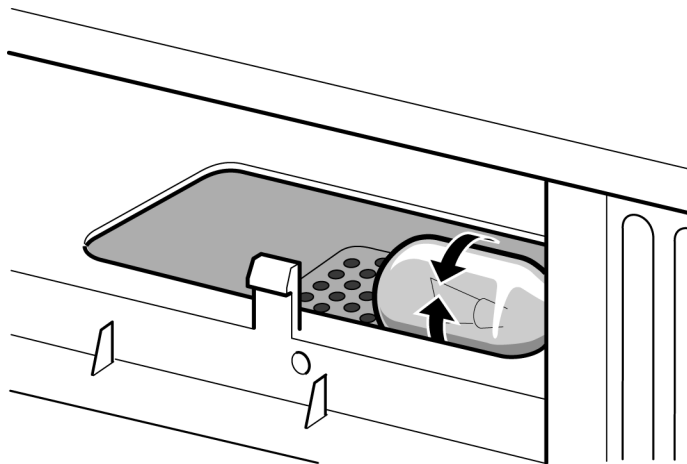
4. Remove the charcoal filter by pushing it inwards, then turn and pull it away from the unit.



5. Open light cover located behind filter mounting by carefully pulling up on the front edge.



6. Remove old light bulb and replace only with equivalent 30 watt bulb available from parts distributor. Bulbs are also available at most hardware stores or lighting centers.



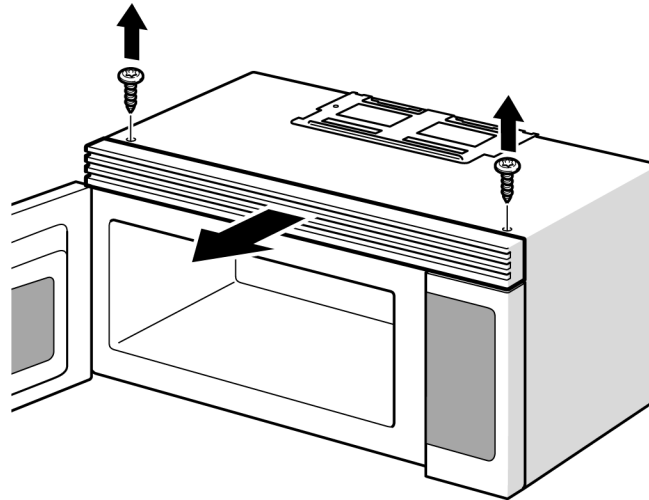
Note: DO NOT USE BULB LARGER THAN 30 WATTS.

7. Replace the microwave oven light cover by carefully pushing into place. Replace the charcoal filter. Push the vent grill back into place (engaging both the bottom and top tabs) and replace the vent grill mounting screws.

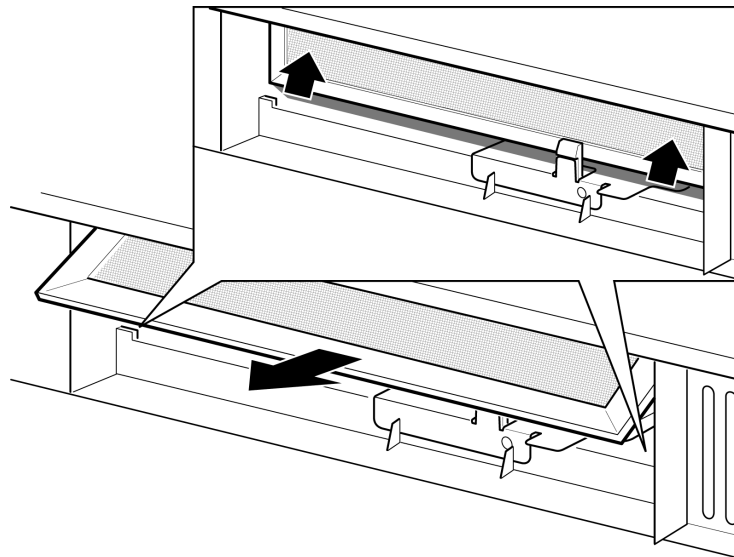
Charcoal filter replacement

The charcoal Filter, which was enclosed with your microwave oven, is used for nonvented, recirculated installation (Room Venting). The filter should be changed every 6 to 12 months depending on use.

1. Disconnect power to the microwave oven at the circuit breaker panel or by unplugging.
2. Remove the vent grill mounting screws.
3. Pull the vent grill away from the unit.



4. Change the charcoal filter.



5. Carefully push the vent grill back into place and replace the screws removed in Step 2

Note: If no charcoal filter is installed, it is not possible to bind the odorous substances in the cooking vapours.

Service

Troubleshooting

Before you call a repair person for your microwave, check the list below for possible easy solutions to some common problems.

Neither the microwave's display or oven operates

- Properly insert the plug into a grounded power outlet.
- If the outlet is controlled by a wall switch, make sure the wall switch is turned on.
- Remove the plug from the outlet, wait 10 seconds, then plug the microwave in again.
- Reset the household circuit breaker or replace any blown fuses.
- Plug a different appliance into the power outlet. If the other appliance will not operate, have a qualified electrician repair the outlet.
- Plug the microwave into a different power outlet.

The oven display works, but the oven will not operate

- Make sure the oven door is closed securely and completely.
- Check to see if packing material or other materials are stuck to the door seal.
- Check for damage to the oven door.
- Press the **STOP/cancel** pad twice and attempt to re-enter cooking instructions.

The power goes off before the cook time has elapsed

- If there has been a power interruption, remove the plug from the outlet; wait 10 seconds, then plug the microwave in again. If there was a power outage, the time indicator in the display will show **00:00**.
- Reset the clock and any cooking instructions.
- Reset the household circuit breaker or replace any blown fuses.
- Press the **STOP/cancel** pad twice and attempt to re-enter cooking instructions.
- Plug a different appliance into the power outlet. If the other appliance will not operate, have a qualified electrician repair the outlet.
- Plug the microwave into a different power outlet.

Food is cooking too slowly

- Make sure the oven is on a separate 20 amp circuit line. Operating another appliance on the same circuit can cause a voltage drop. If necessary, move the microwave to its own circuit.

You see sparks or arcing

- Remove any metallic utensils, cookware or metal ties from the oven cavity. If using aluminum foil, use only narrow strips and allow at least one inch between the foil and the interior oven walls.

The turntable makes noises or sticks

- Clean the turntable, roller ring and oven cavity bottom.
- Make sure the turntable and roller ring are positioned correctly.

Using your microwave causes TV or radio interference

- This is similar to the interference caused by other small appliances, such as hair dryers. Move your microwave further away from other appliances, like your TV or radio.

Note: If the oven is set to cook for more than 30 minutes at 100% power level, it will automatically adjust itself to a 80% power level after 30 minutes to avoid overcooking.

If you have a problem you cannot solve, please do not hesitate to call our service line:

Customer service

Contact our Customer Service department if your appliance needs repair. Our central Customer Service Center (see below) will also be happy to supply you with details on a center close to you.

Model(E) number and FD number

When you contact our customer service, please have the Model(E) number and the FD number for your appliance available.

You can find the identification plate with these numbers on the underside of the appliance and in the appliance booklet.

Questions? Please contact us. We look forward to hearing from you!

800-944-2904
www.boschappliances.com
5551 McFadden Ave.
Huntington Beach, CA 92649

STATEMENT OF LIMITED PRODUCT WARRANTY

What this Warranty Covers & Who it Applies to

The limited warranty provided by BSH Home Appliances Bosch in this Statement of Limited Product Warranty applies only to the Bosch OTR ("Product") sold to you, the first using purchaser, provided that the Product was purchased:

- For your normal, household (non-commercial) use, and has in fact at all times only been used for normal household purposes.
- New at retail (not a display, "as is", or previously returned model), and not for resale, or commercial use.
- Within the United States or Canada, and has at all times remained within the country of original purchase.

The warranties stated herein apply only to the first purchaser of the Product and are not transferable. Bosch reserves the right to request proof of purchase at the time any warranty claim is submitted to confirm that the Product falls within the scope of this limited product warranty.

Please make sure to return your registration card; while not necessary to effectuate warranty coverage, it is the best way for Bosch to notify you in the unlikely event of a safety notice or product recall.

How Long the Warranty Lasts

Bosch warrants that the Product is free from defects in materials and workmanship for a period of three hundred sixty-five (365) days from the date of purchase. The foregoing timeline begins to run upon the date of purchase, and shall not be stalled, tolled, extended, or suspended, for any reason whatsoever.

Repair/Replace as Your Exclusive Remedy

During this warranty period, Bosch or one of its authorized service providers will repair your Product without charge to you (subject to certain limitations stated herein) if your Product proves to have been manufactured with a defect in materials or workmanship. If reasonable attempts to repair the Product have been made without success, then Bosch will replace your Product (upgraded models may be available to you, in Bosch's sole discretion, for an additional charge). All removed parts and components shall become the property of Bosch at its sole option. All replaced and/or repaired parts shall assume the identity of the original part for purposes of this warranty and this warranty shall not be extended with respect to such parts. Bosch's sole liability and responsibility hereunder is to repair manufacturer-defective Product only, using a Bosch-authorized service provider during normal business hours. For safety and property damage concerns, Bosch highly recommends that you do not attempt to repair the Product yourself, or use an un-authorized servicer; Bosch will have no responsibility or liability for repairs or work performed by a non-authorized servicer. If you choose to have someone other than an authorized service provider work on your Product, THIS WARRANTY WILL AUTOMATICALLY BECOME NULL AND VOID.

Authorized service providers are those persons or companies that have been specially trained on Bosch products, and who possess, in Bosch's opinion, a superior reputation for customer service and technical ability (note that they are independent entities and are *not* agents, partners, affiliates or representatives of Bosch). Notwithstanding the foregoing, Bosch will not incur any liability, or have responsibility, for the Product if it is located in a remote area (more than 100 miles from an authorized service provider) or is reasonably inaccessible, hazardous, threatening, or treacherous locale, surroundings, or environment; in any such event, if you request, Bosch would still pay for labor and parts and ship the parts to the nearest authorized service provider, but you would still be fully liable and responsible for any travel time or other special charges by the service company, assuming they agree to make the service call.

Out of Warranty Product

Bosch is under no obligation, at law or otherwise, to provide you with any concessions, including repairs, pro-rates, or Product replacement, once this warranty has expired.

Warranty Exclusions

The warranty coverage described herein excludes all defects or damage that are not the direct fault of Bosch, including without limitation, one or more of the following:

- Use of the Product in anything other than its normal, customary and intended manner (including without limitation, any form of commercial use, use or storage of an indoor product outdoors, use of the Product in conjunction with air or water-going vessels).
- Any party's willful misconduct, negligence, misuse, abuse, accidents, neglect, improper operation, failure to maintain, improper or negligent installation, tampering, failure to follow operating instructions, mishandling, unauthorized service (including self-performed "fixing" or exploration of the appliance's internal workings).
- Adjustment, alteration or modification of any kind.
- A failure to comply with any applicable state, local, city, or county electrical, plumbing and/or building codes, regulations, or laws, including failure to install the product in strict conformity with local fire and building codes and regulations.

- Ordinary wear and tear, spills of food, liquid, grease accumulations, or other substances that accumulate on, in, or around the Product.
- Any external, elemental and/or environmental forces and factors, including without limitation, rain, wind, sand, floods, fires, mud slides, freezing temperatures, excessive moisture or extended exposure to humidity, lightning, power surges, structural failures surrounding the appliance, and acts of God.

In no event shall Bosch have any liability or responsibility whatsoever for damage to surrounding property, including cabinetry, floors, ceilings, and other structures or objects around the Product. Also excluded from this warranty are scratches, nicks, minor dents, and cosmetic damages on external surfaces and exposed parts; Products on which the serial numbers have been altered, defaced, or removed; service visits to teach you how to use the Product, or visits where there is nothing wrong with the Product; correction of installation problems (you are solely responsible for any structure and setting for the Product, including all electrical, plumbing or other connecting facilities, for proper foundation/flooring, and for any alterations including without limitation cabinetry, walls, floors, shelving, etc.); and resetting of breakers or fuses.

TO THE EXTENT ALLOWED BY LAW, THIS WARRANTY SETS OUT YOUR EXCLUSIVE REMEDIES WITH RESPECT TO PRODUCT, WHETHER THE CLAIM ARISES IN CONTRACT OR TORT (INCLUDING STRICT LIABILITY, OR NEGLIGENCE) OR OTHERWISE. THIS WARRANTY IS IN LIEU OF ALL OTHER WARRANTIES, WHETHER EXPRESS OR IMPLIED. ANY WARRANTY IMPLIED BY LAW, WHETHER FOR MERCHANTABILITY OR FITNESS FOR A PARTICULAR PURPOSE, OR OTHERWISE, SHALL BE EFFECTIVE ONLY FOR THE PERIOD THAT THIS EXPRESS LIMITED WARRANTY IS EFFECTIVE. IN NO EVENT WILL THE MANUFACTURER BE LIABLE FOR CONSEQUENTIAL, SPECIAL, INCIDENTAL, INDIRECT, "BUSINESS LOSS", AND/OR PUNITIVE DAMAGES, LOSSES, OR EXPENSES, INCLUDING WITHOUT LIMITATION TIME AWAY FROM WORK, HOTELS AND/OR RESTAURANT MEALS, REMODELLING EXPENSES IN EXCESS OF DIRECT DAMAGES WHICH ARE DEFINITELY CAUSED EXCLUSIVELY BY BOSCH, OR OTHERWISE. SOME STATES DO NOT ALLOW THE EXCLUSION OR LIMITATION OF INCIDENTAL OR CONSEQUENTIAL DAMAGES, AND SOME STATES DO NOT ALLOW LIMITATIONS ON HOW LONG AN IMPLIED WARRANTY LASTS, SO THE ABOVE LIMITATIONS MAY NOT APPLY TO YOU. THIS WARRANTY GIVES YOU SPECIFIC LEGAL RIGHTS, AND YOU MAY ALSO HAVE OTHER RIGHTS WHICH VARY FROM STATE TO STATE.

No attempt to alter, modify or amend this warranty shall be effective unless authorized in writing by an officer of BSH.

How to obtain warranty service

To obtain warranty service for your Product, you should contact the nearest Bosch authorized service center.

BSH Home Appliances – 5551 McFadden Ave., Huntington Beach, CA 92649

1-800-944-2904

Contenido

Seguridad	37
Instrucciones de seguridad importantes	37
Guía de utensilios para horno de microondas	44
Cómo comenzar	45
Descripción general del horno de microondas	45
Especificaciones del horno	45
Panel de control	46
Operación	47
Operación manual	47
Programación del reloj	47
Programación del temporizador	47
Escape alto/bajo/apagado	47
Luz de superficie/encendida/apagada	47
Bloquear control	48
Uso de EasySet (Programación fácil)	48
Calentar en varias etapas de cocción	48
Calentar con nivel de potencia alto	49
Calentar con niveles de potencia más bajos	49
Uso de la tecla Pause (Pausa)	49
Agregar tiempo de cocción (30 segundos más)	49
Descongelar (por peso)	50
Descongelar (por tiempo)	50
Notas especiales para descongelar por tiempo	50
Consejos para descongelar	50
Sugerencias para descongelar carne	51
Recalentar	52
Sugerencias para recalentar	52
Niveles de potencia sugeridos para cocinar	52
Sugerencias para obtener los mejores resultados	53
Funcionamiento práctico	55
Palomitas de maíz	55
Papa	55
Bebida	56
Sugerencias para la cocción práctica	57
Cocinar carne de res en su horno de microondas	57
Cocción de carne de ave en su horno de microondas	58
Cocción de huevos en su horno de microondas	58
Cocción de verduras en su horno de microondas	59
Cocción de frutos de mar en su horno de microondas	59

Limpieza y mantenimiento	60
Limpieza	60
Sugerencias para la limpieza	60
Limpieza de los filtros de escape	61
Mantenimiento	62
Cambio del foco de superficie	62
Cambio del foco del horno	63
Cambio del filtro de carbón	65
Servicio técnico	66
Resolución de problemas	66
Servicio al Cliente	67
DECLARACIÓN DE GARANTÍA LIMITADA DEL PRODUCTO	68

Seguridad



Instrucciones de seguridad importantes

LEA Y GUARDE ESTAS INSTRUCCIONES



AVISO: Si no sigue la información de este manual exactamente, se puede ocasionar un incendio o una descarga eléctrica que puede causar daños materiales o lesiones personales.

Al utilizar electrodomésticos, deben seguirse precauciones de seguridad básicas, que incluyen las siguientes:



AVISO: Para reducir el riesgo de quemaduras, descarga eléctrica, incendio, lesiones a personas o exposición a un exceso de energía de microondas:

Lea todas las instrucciones antes de usar el electrodoméstico.

Lea y siga las **PRECAUCIONES ESPECÍFICAS PARA EVITAR LA POSIBLE EXPOSICIÓN A UNA CANTIDAD EXCESIVA DE ENERGÍA DE MICROONDAS.**

Este electrodoméstico debe estar conectado a tierra. Conéctelo sólo a una toma de corriente conectada a tierra en forma adecuada.

(Consulte **INSTRUCCIONES DE CONEXIÓN A TIERRA**).

Instale o ubique este electrodoméstico únicamente de acuerdo con las instrucciones de instalación provistas.

Algunos productos, tales como huevos enteros con y sin cáscara, botellas de cuello estrecho y recipientes sellados (por ejemplo, tarros de vidrio cerrados) pueden explotar y no deben ser calentados en este horno.

Utilice este electrodoméstico sólo para su uso previsto, según se describe en este manual. No utilice productos químicos corrosivos, vapores ni productos no alimenticios en este electrodoméstico, ya que dañan el electrodoméstico y pueden causar fugas de radiación. Este tipo de horno está específicamente diseñado para calentar o cocinar alimentos. No está diseñado para uso industrial ni en laboratorios.

Como con cualquier electrodoméstico, se requiere una estricta supervisión cuando los niños utilicen este electrodoméstico.

(Consulte **SEGURIDAD DE LOS NIÑOS**).

No haga funcionar este electrodoméstico si tiene un cable o un enchufe dañados, si no funciona adecuadamente, ni si se ha dañado o se ha caído.

Este electrodoméstico debe recibir servicio técnico únicamente por parte de personal de servicio técnico calificado. Comuníquese con el centro de servicio técnico autorizado más cercano para solicitar que lo examinen, reparen o ajusten.

No cubra ni bloquee ninguna ventilación o abertura del electrodoméstico.

No deje este electrodoméstico a la intemperie. No use este producto cerca del agua, por ejemplo, cerca de un fregadero de cocina, en un sótano húmedo, cerca de una alberca ni en lugares similares.



Instrucciones de seguridad importantes

LEA Y GUARDE ESTAS INSTRUCCIONES

No sumerja el cable ni el enchufe en agua.

Mantenga el cable alejado de las superficies calientes.

No permita que el cable cuelgue del borde de la mesa ni de la superficie de trabajo.

Ya sea:

- Al limpiar las superficies de la puerta y del horno que se unen al cerrar la puerta, aplique únicamente jabones o detergentes suaves, no abrasivos, con una esponja o un paño suave.

Para reducir el riesgo de incendio en la cavidad del horno:

- No cocine los alimentos excesivamente. Preste especial atención al electrodoméstico cuando coloque adentro papel, plástico u otros materiales combustibles para facilitar la cocción.
- Retire los cierres de alambre de las bolsas de papel o plástico antes de colocarlas en el horno.
- Si los materiales que están dentro del horno se prenden fuego, mantenga cerrada la puerta del horno, apáguelo y desconecte el cable de alimentación o corte la alimentación eléctrica desde el panel de fusibles o el disyuntor.

PRECAUCIONES PARA EVITAR LA POSIBLE EXPOSICIÓN A UNA CANTIDAD EXCESIVA DE ENERGÍA DE MICROONDAS

No intente hacer funcionar este horno con la puerta abierta, ya que el funcionamiento con la puerta abierta puede tener como consecuencia una exposición nociva a la energía de microondas. Es importante no anular ni interferir con los enclavamientos de seguridad.

No coloque ningún objeto entre el frente del horno y la puerta ni permita que se acumulen suciedad ni restos de limpiador en las superficies sellantes.

No haga funcionar el horno si está dañado. Es de particular importancia que la puerta del horno cierre correctamente y que no haya daños en:

- la puerta (doblada)
- las bisagras y las trabas (rotas o flojas)
- los sellos y las superficies sellantes de la puerta
- Ninguna persona debe ajustar ni reparar el horno a menos que se trate de personal de servicio técnico adecuadamente calificado. La instalación, servicio técnico o mantenimiento incorrectos pueden causar lesiones o daños materiales. Consulte este manual para su orientación. Remita todas las reparaciones a un centro de servicio técnico autorizado por la fábrica.

Instrucciones para la conexión a tierra Este electrodoméstico debe estar conectado a tierra. La conexión a tierra reduce el riesgo de descarga eléctrica proporcionando un cable de escape para la corriente eléctrica si se produce un cortocircuito eléctrico. Este horno viene equipado con un cable con un hilo de conexión a tierra y un enchufe para conexión a tierra. El enchufe debe colocarse en una toma de corriente que esté correctamente instalada y conectada a tierra.

Consulte **INSTRUCCIONES DE INSTALACIÓN**.



Instrucciones de seguridad importantes

LEA Y GUARDE ESTAS INSTRUCCIONES

Consulte a un electricista o a un centro de servicio técnico calificado si no comprende la totalidad de las instrucciones de conexión a tierra o si tiene alguna duda respecto de si el horno está correctamente conectado a tierra.

No use un cable de extensión. Si el cable de alimentación del producto es demasiado corto, haga que un electricista calificado instale un receptáculo de tres ranuras. Este horno debe enchufarse en un circuito de 60 Hertz por separado con la capacidad eléctrica nominal como se muestra en la tabla de especificaciones. Cuando el horno está en un circuito con otro equipo, es posible que se requiera un aumento en los tiempos de cocción y que los fusibles se quemen.

El horno de microondas funciona con la corriente doméstica estándar; 110-120 V.

Interferencia con la TV/radio

Este electrodoméstico genera y usa energía con frecuencia ISM. Si no se lo instala y utiliza correctamente, en estricto cumplimiento con las instrucciones del fabricante, puede causar interferencia con la recepción de la radio y televisión. Su tipo ha sido probado, y se ha determinado que cumple con los límites para los equipos ISM, en virtud de la parte 18 de las normas de la Comisión Federal de Comunicaciones (Federal Communications Commission, FCC), destinadas a proporcionar una protección razonable contra dicha interferencia en una instalación residencial. Sin embargo, no se garantiza que no se producirán interferencias en una instalación en particular. Encienda el electrodoméstico y vuelva a apagarlo si causa interferencia. Intente alguna de las siguientes soluciones para corregir la interferencia:

- Limpie la puerta y la superficie sellante del horno.
- Cambie la orientación de la antena de recepción de radio o televisión.
- Cambie la ubicación del horno de microondas con respecto al receptor.
- Aleje el horno de microondas del receptor.
- Enchufe el horno de microondas en una toma de corriente diferente para que el horno de microondas y el receptor estén enchufados a circuitos derivados diferentes.

El fabricante no es responsable de ninguna interferencia de radio o televisión causada por modificaciones no autorizadas a este horno de microondas. Es responsabilidad del usuario corregir dicha interferencia.

Uso previsto

Este electrodoméstico ha sido diseñado para el uso doméstico normal de una familia únicamente. No está aprobado para uso en exteriores, vehículos móviles, embarcaciones ni para uso comercial. Consulte la garantía. Si tiene alguna pregunta, comuníquese con el fabricante.

No use la cavidad del horno para guardar cosas. No deje productos de papel, utensilios de cocina ni alimentos dentro de la cavidad del horno cuando no esté en uso.

No haga funcionar el horno cuando la humedad ambiente sea excesiva.

Este horno es apto para usar tanto sobre equipos de cocina a gas como eléctricos de 36" (914 mm) de ancho o menos.



Instrucciones de seguridad importantes

LEA Y GUARDE ESTAS INSTRUCCIONES

Seguridad de los niños

No permita que los niños utilicen este electrodoméstico, a menos que sean supervisados de cerca por un adulto. Los niños y las mascotas no deben quedar solos o sin vigilancia en el área donde se utilice el electrodoméstico. Nunca se les debe permitir jugar cerca del electrodoméstico, independientemente de que esté en funcionamiento o no.

Cuando los niños tienen la edad adecuada para utilizar el electrodoméstico, es responsabilidad legal de los padres o tutores legales asegurarse de que reciban las instrucciones sobre prácticas seguras por parte de personas calificadas.

No permita que nadie se suba, pare, incline, siente o cuelgue de ninguna parte de un electrodoméstico. Esto puede dañar el electrodoméstico y, posiblemente, causar lesiones graves.

Seguridad en la limpieza

Limpie los filtros del escape con frecuencia: no permita que se acumule grasa en la campana ni en los filtros. Se pueden producir incendios.

Sea cuidadoso al limpiar los filtros del escape. Los agentes de limpieza corrosivos, como limpiadores para hornos a base de lejía, pueden dañar el filtro (Consulte la sección **LIMPIEZA** de este manual).

Limpie con frecuencia el lugar donde apoyan los rodillos de la bandeja giratoria y el piso del horno para evitar el ruido excesivo.

Seguridad al cocinar



ATENCIÓN: Para evitar lesiones personales o daños materiales, siga estas indicaciones:

No deje el horno sin supervisión mientras esté en uso.

No almacene materiales inflamables cerca del horno ni dentro de él.

Al flamear alimentos debajo del horno de microondas, encienda siempre el ventilador.

No haga funcionar el horno mientras está vacío. Esto podría dañar el horno y provocar un incendio.

No almacene ni utilice productos químicos corrosivos, vapores, materiales inflamables ni productos no alimenticios dentro de este electrodoméstico ni cerca de él. Está específicamente diseñado para calentar o cocinar alimentos. El uso de productos químicos corrosivos al calentar o limpiar dañará el electrodoméstico y podría causar lesiones.

No seque ropa, periódicos ni otros materiales en el horno. No use periódicos ni bolsas de papel para cocinar. Se pueden producir incendios.

No use productos de papel reciclado a menos que su etiqueta indique que son aptos para usar en horno de microondas. Pueden contener impurezas que pueden generar chispas y provocar incendios.

En caso de incendio

Si los materiales dentro del horno se prenden fuego:

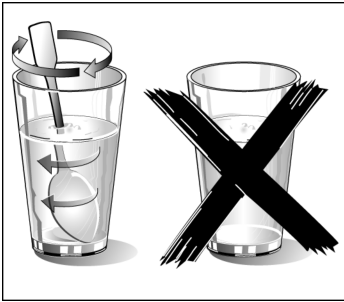
1. Mantenga la puerta cerrada.
2. Apague el electrodoméstico.
3. Desenchufe el electrodoméstico o corte la alimentación eléctrica desde el panel de fusibles o el disyuntor.



Instrucciones de seguridad importantes

LEA Y GUARDE ESTAS INSTRUCCIONES

Líquidos



Los líquidos, tales como el agua, el café o el té, pueden calentarse excesivamente. Pueden calentarse hasta pasar el punto de ebullición, sin que parezca que están hirviendo. Por ejemplo, no siempre se observan burbujas ni borbotones al retirar el recipiente del horno de microondas. **ESTO PUEDE HACER QUE ESTOS LÍQUIDOS MUY CALIENTES HIERVAN Y SE DESBORDEN REPENTINAMENTE AL MOVER EL RECIPIENTE O COLOCAR UN UTENSILIO DENTRO DEL LÍQUIDO.**

Para reducir el riesgo de lesiones a personas:

- No caliente el líquido excesivamente.
- Revuelva el líquido antes de calentarlo y a mitad del proceso.
- Sea muy cuidadoso al insertar una cuchara u otro utensilio en el recipiente.
- No use recipientes de lados rectos con cuellos estrechos.
- Después de calentarlo, deje reposar el recipiente en el horno de microondas durante un breve período antes de retirarlo.

Huevos

No cocine ni recaliente huevos enteros, con o sin cáscara. La acumulación de vapor en los huevos enteros puede hacer que exploten y, posiblemente, dañen el horno o provoquen una lesión. Puede recalentar huevos duros rebanados y cocinar huevos **revueltos**.

Palomitas de maíz

Use sólo palomitas de maíz en envases diseñados y etiquetados para uso en horno de microondas, o prepárelas en un recipiente para palomitas de maíz apto para horno de microondas. Siga las indicaciones de los fabricantes de palomitas de maíz y use una marca apta para el vataje de su horno. No siga calentando después de que las palomitas de maíz hayan terminado de reventar. Las palomitas de maíz se chamuscarán o quemarán. No deje el horno sin supervisión.



ATTENCION: Al usar palomitas de maíz preenvasadas para microondas, verifique el peso del envase antes de usar el botón para palomitas de maíz. Programe el horno para el peso indicado en el envase de palomitas de maíz. Si no sigue estas instrucciones, es probable que las palomitas de maíz no revienten correctamente, o pueden prenderse fuego y provocar un incendio.

Alimentos con piel no porosa

Algunos ejemplos de alimentos con piel no porosa son: papas, tomates, manzanas, calabazas enteras y salchichas. Debe pinchar estos tipos de alimentos antes de cocinarlos para evitar que exploten.

Fórmula para bebés/ Alimento para bebés

No caliente biberones ni alimentos para bebés en el horno de microondas. El recipiente de vidrio o la superficie de los alimentos pueden parecer tibios, mientras que el interior puede quemar la boca y el esófago del niño.



Instrucciones de seguridad importantes

LEA Y GUARDE ESTAS INSTRUCCIONES

Freír en aceite abundante

No fría en aceite abundante en el horno. En un horno de microondas, el aceite puede calentarse muy rápidamente y superar las temperaturas ideales. Las temperaturas pueden aumentar lo suficiente como para que los aceites para cocinar alcancen sus puntos de inflamación respectivos y se prendan fuego. El aceite caliente puede producir burbujas y salpicar, lo que puede causar posibles daños al horno, y quizás, quemaduras. Además, es probable que los utensilios aptos para microondas no soporten la temperatura del aceite caliente, ya que se pueden romper, incluso si tienen una mínima imperfección, rayón o están descascarados.

Enlatado casero/deshidratación de alimentos/pequeñas cantidades de alimentos

No use su horno de microondas para calentar enlatados caseros ni para calentar tarros cerrados. Esto hace que la presión se acumule y que explote el tarro. Además, el horno no puede mantener los alimentos a la temperatura adecuada del enlatado. Los alimentos mal enlatados se pueden echar a perder, y consumirlos puede ser peligroso.

Las pequeñas cantidades de alimentos o los alimentos con bajo contenido de humedad pueden secarse, quemarse o incendiarse.

No deshidrate carnes, hierbas, frutas ni verduras en su horno.

Una cocción correcta depende de la programación del tiempo y del peso de los alimentos. Se puede producir un incendio si usa una porción más pequeña que la recomendada y la cocina durante el tiempo de la porción recomendada.

Utensilios de cocina

Consulte también **la guía de utensilios para horno de microondas**.

Los utensilios de cocina y la charola de vidrio se calientan durante el funcionamiento del horno de microondas. Siempre use agarradores al retirar los elementos del horno. Deje que la charola de vidrio se enfríe antes de manipularla.

No use utensilios de metal ni recipientes con bordes de metal en el horno.

Al utilizar papel de aluminio en el horno, deje, al menos, 1" (25.4 mm) de espacio entre el papel de aluminio y las paredes interiores o la puerta del horno.

La charola de vidrio se calienta durante la cocción. El recipiente para cocinar y la charola de vidrio pueden estar calientes aun cuando el horno esté frío.

Nunca use papel, plástico ni otros materiales combustibles que no hayan sido diseñados para cocinar.

Al cocinar con papel, plástico u otros materiales combustibles, siga las recomendaciones del fabricante sobre el uso del producto.

No use toallas de papel que contengan nylon o fibras sintéticas. Las fibras sintéticas calientes pueden derretirse y hacer que el papel se prenda fuego.

No caliente recipientes sellados con calor ni bolsas de plástico en el horno. Los alimentos o el líquido podrían expandirse rápidamente y hacer que el recipiente o la bolsa se rompa. Perfore o abra el recipiente o la bolsa antes de cocinar.



Instrucciones de seguridad importantes

LEA Y GUARDE ESTAS INSTRUCCIONES

Recipientes para dorar/bolsas para cocinar en horno

Los recipientes o parrillas para dorar en microondas están diseñados para cocinar únicamente en horno de microondas. Los tiempos de precalentamiento varían según el tamaño del recipiente para dorar y los alimentos que se van a cocinar. Siempre siga las instrucciones proporcionadas por el fabricante del recipiente o de la parrilla para dorar. No precaliente los recipientes para dorar más de 6 minutos.

Si se usa una bolsa para cocinar en microondas, prepárela según las indicaciones del envase. No use cierres de alambre para cerrar las bolsas; en su lugar, use cierres de nylon, cordones de algodón o una tira cortada del extremo abierto de la bolsa. Haga seis cortes de 1/2" (12.7 mm) cerca del cierre. Coloque la bolsa para cocinar en horno en un recipiente un poco más grande que los alimentos que se van a cocinar.

Charola de vidrio/anillo de la bandeja giratoria

No haga funcionar el horno sin el anillo de la bandeja giratoria y la charola de vidrio en su lugar.

No opere el horno sin colocar la charola de vidrio en su lugar. De lo contrario, se pueden producir una cocción inadecuada o daños al horno. Verifique que la charola de vidrio esté bien colocada y que gire cuando el horno está en uso.

Advertencia: La charola de vidrio puede girar en cualquiera de las dos direcciones.

Use únicamente la charola de vidrio diseñada para este horno. No la reemplace por ninguna otra charola.

Deje que la charola de vidrio se enfríe antes de limpiarla o colocarla en agua.

No coloque los alimentos directamente en la charola de vidrio. Siempre coloque los alimentos en un recipiente apto para horno de microondas.

Siempre vuelva a colocar el anillo de la bandeja giratoria y la charola de vidrio en sus posiciones correctas.

Siempre debe usarse el anillo de la bandeja giratoria para cocinar junto con la charola de vidrio.

Funcionamiento del motor del ventilador

Luego de usar el horno, el motor del ventilador puede girar para enfriar los componentes eléctricos. Esto es perfectamente normal, y se pueden retirar los alimentos del horno mientras el ventilador está funcionando.

Ventilación de ambiente con filtro de carbón

El filtro de carbón, que se incluyó con su horno de microondas, absorbe las sustancias olorosas.

Advertencia: Si no hay un filtro de carbón instalado, no se absorberán las sustancias olorosas de los vapores de cocción.

Operación en modo de salida

Cuando se utiliza el horno de microondas en modo de aire de salida simultáneamente con una hornilla diferente, se debe asegurar que haya un suministro de aire fresco suficiente, que será necesario para la combustión en la hornilla.



ATTENCION: Evite la intoxicación por monóxido de carbono: proporcione una entrada de aire suficiente para que los gases de la combustión no vuelvan a ingresar a la habitación.



Instrucciones de seguridad importantes

LEA Y GUARDE ESTAS INSTRUCCIONES

Termómetros

No use termómetros de cocina comunes en el horno. La mayoría de los termómetros de cocina contienen mercurio y pueden causar arco eléctrico, mal funcionamiento o daños al horno.

Marcapasos

Para evitar el mal funcionamiento del marcapasos, consulte con el médico o el fabricante del marcapasos acerca de los efectos de la energía de microondas en el marcapasos.

Guía de utensilios para horno de microondas

Use	No use
<p>Vidrio apto para uso en hornos (tratado específicamente para soportar altas temperaturas):</p> <p>Recipientes para usos múltiples, recipientes para pan de carne, moldes para pie, moldes para pasteles, tazas para medir líquidos, cacerolas y bols sin bordes de metal.</p>	<p>Utensilios de metal:</p> <p>El metal protege los alimentos de la energía de microondas y produce una cocción irregular. Asimismo, evite usar brochetas de metal, termómetros o charolas de papel de aluminio. Los utensilios de metal pueden provocar arcos eléctricos, lo que puede dañar su horno de microondas.</p>
<p>Porcelana:</p> <p>Bols, tazas, bandejas y fuentes para servir sin bordes de metal.</p>	<p>Decoración de metal:</p> <p>Bols, tazas, platos y fuentes para servir sin bordes de metal.</p> <p>Papel de aluminio:</p> <p>Evite usar placas grandes de papel de aluminio, ya que dificultan la cocción y pueden provocar arcos eléctricos perjudiciales. Use trozos pequeños de papel de aluminio para cubrir las patas y las alas de las aves. Mantenga TODO el papel de aluminio a una distancia de, al menos, 1 pulgada de las paredes laterales de la cavidad del horno y la puerta del horno de microondas.</p>
<p>Plástico:</p> <p>Envoltura de plástico (como cubierta): coloque la envoltura de plástico holgadamente sobre el recipiente y presiónela hacia los lados. Ventile la envoltura de plástico girando ligeramente hacia atrás un borde para permitir que salga el vapor excedente. El recipiente debe tener la profundidad suficiente para que la envoltura de plástico no entre en contacto con los alimentos. Use platos, tazas, recipientes semirrígidos para el congelador de plástico y bolsas de plástico para tiempos de cocción cortos. Úselos con cuidado porque el plástico puede ablandarse debido al calor de los alimentos.</p>	<p>Madera:</p> <p>Los bols y las tablas de madera se secan y pueden quebrarse o agrietarse al usarlos en el horno de microondas. Las canastas de madera reaccionan de la misma manera.</p>
<p>Papel:</p> <p>Toallas de papel, papel encerado, servilletas de papel y platos de papel sin bordes ni diseños de metal. Busque en la etiqueta del fabricante cualquier instrucción especial para uso en el horno de microondas.</p>	<p>Utensilios con tapa hermética:</p> <p>Asegúrese de dejar aberturas para permitir que salga el vapor de los recipientes para cocinar con tapa. Perfore bolsas de plástico de verduras u otros alimentos antes de cocinarlos. Las bolsas cerradas herméticamente pueden explotar.</p> <p>Papel de estroza:</p> <p>Evite usar bolsas de papel de estroza. Absorben calor y pueden quemarse.</p> <p>Utensilios para cocinar defectuosos o descascarados:</p> <p>Cualquier utensilio agrietado, defectuoso o descascarado puede romperse en el horno.</p> <p>Cierres de alambre:</p> <p>Retire los cierres de alambre de las bolsas de plástico o de papel. Se calientan y pueden provocar un incendio.</p>

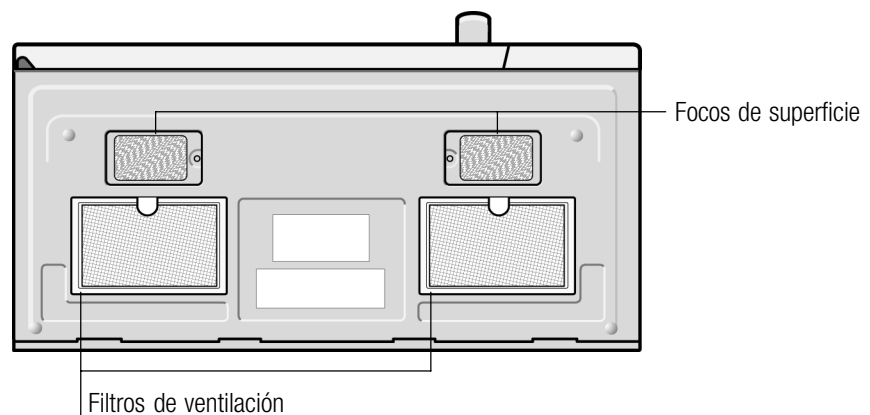
Cómo comenzar

Descripción general del horno de microondas

Vista frontal



Vista inferior



Especificaciones del horno

Alimentación eléctrica	120 V AC, 60 Hz
Potencia de entrada	1.550 W
Potencia de cocción	1.000 W
Frecuencia	2.450 MHz
Volumen de la cavidad	1.6 pies cúbicos (45 l)
Peso neto	55.2 lb (25 kg)

Panel de control



Operación

Operación manual

Programación del reloj

Ejemplo: programación de la pantalla de reloj para las 9:00:

1. Presione el botón **Clock** (Reloj) una o dos veces para seleccionar AM o PM.
2. Ingrese la hora con los botones numéricos.
3. Presione el botón **Clock** (Reloj) nuevamente.

Programación del temporizador

Ejemplo: programación del temporizador para 5 minutos:

1. Presione el botón **Timer** (Temporizador) una vez.
2. Ingrese el tiempo deseado con los botones numéricos.
3. Presione el botón **Timer** (Temporizador).

Cuando el temporizador haya llegado al final del tiempo programado, aparecerá **OFF** (Apagado) en la pantalla y se escucharán alertas de bip permanentes que indican que se ha detenido el temporizador.

Para detener el bip, presione el botón **Timer** (Temporizador) o abra la puerta.

Escape alto/bajo/apagado

La ventilación del escape mueve el vapor y otros vapores de cocción de la superficie de cocción de la estufa debajo del horno de microondas.

Para operar la ventilación del escape, presione el botón **Exhaust High/Low/Off** (Escape alto/bajo/apagado) una vez para programar la velocidad más alta. Presione el botón nuevamente para elegir la programación de velocidad baja y una tercera vez para apagar la ventilación del escape.

Advertencia: Si la temperatura sube demasiado cerca del horno de microondas, el ventilador de la campana de ventilación se encenderá automáticamente en la programación BAJA para enfriar el horno. Se apagará automáticamente cuando las piezas internas se enfríen. Cuando esto sucede, no se puede apagar la ventilación.

Luz de superficie/encendida/apagada

Presione el botón **Surface Light/On/Off** (Luz de superficie/encendida/apagada) una vez para encender la superficie de cocción. Presione el botón nuevamente para apagar la luz.

Bloquear control

Puede bloquear el panel de control para evitar que los niños enciendan accidentalmente el horno de microondas o lo utilicen.

La función Control lock (Bloquear control) es muy útil al limpiar el panel de control. El bloqueo evitará la programación accidental al limpiar el panel de control.

Ejemplo: para activar la función Control lock (Bloquear control):

Presione el botón **Stop/Cancel** (Detener/Cancelar) y manténgalo presionado durante más de 3 segundos. El ícono Lock (Bloquear) aparecerá en la pantalla y se emitirán 2 bips.

Ejemplo: para desactivar la función Control lock (Bloquear control):

Presione el botón Stop/Cancel (Detener/Cancelar) y manténgalo presionado durante más de 3 segundos. El ícono de Lock (Bloquear) desaparecerá en la ventana de presentación.

Uso de EasySet (Programación fácil)

Se puede programar el horno de microondas para calentar o cocinar rápidamente, al 100% del nivel de potencia, durante 1, 2 ó 3 minutos. Use las teclas numéricas 1, 2 ó 3 para elegir los minutos deseados del tiempo de cocción (esta opción funcionará únicamente con los botones numéricos 1, 2 ó 3):

Ejemplo: calentar rápidamente durante 2 minutos al 100% de potencia:

Presione los botones numéricos 1, 2 ó 3 para ingresar los minutos deseados de tiempo de cocción.

Advertencia: La función EasySet (Programación fácil) no puede programarse con la función Defrost (Descongelar) (por peso).

Calentar en varias etapas de cocción

Para obtener mejores resultados, algunas recetas para cocinar con horno de microondas necesitan diferentes niveles de potencia o diferentes tiempos para cocinar. Su horno de microondas puede programarse para pasar de una etapa a la otra automáticamente (2 etapas como máximo).

Ejemplo: cocinar alimentos durante 3 minutos al 80% de potencia y, luego, al 50% de potencia durante 6 minutos y 30 segundos:

1. Presione Cook Time (Tiempo de cocción).
2. Use los botones numéricos para ingresar el tiempo de calentamiento durante la 1.a etapa (el tiempo de cocción puede programarse hasta 99 minutos y 99 segundos).
3. Presione el botón **Power Level** (Nivel de potencia) una vez.
4. Use las teclas numéricas para ingresar el nivel de potencia durante la 1.a etapa. **PL8** aparecerá en la pantalla (80 % de potencia).
5. Presione el botón **Cook Time** (Tiempo de cocción) para la 2.a etapa.
6. Use los botones numéricos para ingresar el tiempo de calentamiento para la 2.a etapa (el tiempo de cocción puede programarse hasta 99 minutos y 99 segundos).
7. Presione el botón **Power Level** (Nivel de potencia) para la 2.a etapa.
8. Use la tecla numérica para ingresar el nivel de potencia para la 2.a etapa. **PL5** aparecerá en la pantalla (50 % de potencia).
9. Presione el botón **START** (INICIAR).

Cuando el tiempo de calentamiento haya finalizado, escuchará 5 bips y aparecerá la palabra "Good" (Listo) en la pantalla.

Presione el botón **STOP** (DETENER) o abra la puerta.

Calentar con nivel de potencia alto

Ejemplo: calentar rápidamente durante 5 minutos al 100% de potencia:

1. Presione el botón **Cook Time** (Tiempo de cocción).
2. Use los botones numéricos para ingresar el tiempo de calentamiento deseado (el tiempo de cocción puede programarse hasta 99 minutos y 99 segundos).
3. Presione el botón **START** (INICIAR).

Cuando el tiempo de calentamiento haya finalizado, escuchará 5 bips y aparecerá la palabra "Good" (Listo) en la pantalla.

Presione el botón **STOP** (DETENER) o abra la puerta.

Calentar con niveles de potencia más bajos

Usar el nivel de potencia más alto para calentar alimentos no siempre da los mejores resultados si algunos tipos de alimentos requieren una cocción más lenta, como la carne asada, alimentos horneados o natillas. Su horno tiene otros nueve niveles de potencia para que usted elija.

Ejemplo: calentar rápidamente durante 4 minutos al 70% de potencia:

1. Presione Cook Time (**Tiempo de cocción**).
2. Use los botones numéricos para ingresar el tiempo de calentamiento deseado (el tiempo de cocción puede programarse hasta 99 minutos y 99 segundos).
3. Presione el botón **Power Level** (Nivel de potencia) una vez para el nivel de potencia 10 (100% de potencia).
4. Use la tecla numérica para cambiar el nivel de potencia a 7. **PL7** aparecerá en la pantalla (70% de potencia).
5. Presione el botón **START** (INICIAR).

Cuando el tiempo de calentamiento haya finalizado, escuchará 5 bips y aparecerá la palabra "Good" (Listo) en la pantalla.

Presione el botón **STOP** (DETENER) o abra la puerta.

Uso de la tecla Pause (Pausa)

Si en algún momento su receta para cocinar con horno de microondas requiere dar vuelta los alimentos o detener el horno de microondas durante el proceso de cocción, puede hacerlo después de iniciar la cocción en el horno de microondas con el botón START/Pause (INICIAR/Pausa).

Ejemplo: interrumpir el horno de microondas durante la cocción:

1. Presione el botón START/Pause (INICIAR/Pausa) una vez.
2. Presione el botón START/Pause (INICIAR/Pausa) nuevamente para reanudar la cocción.

Agregar tiempo de cocción (30 segundos más)

Esta función de ahorro de tiempo le permitirá agregar 30 segundos rápidamente a cualquier tiempo de cocción ya programado al cocinar al 100% de nivel de potencia. Esta función puede ser utilizada únicamente durante la cocción y con el tiempo de cocción restante. Cada vez que presione este botón, se agregarán 30 segundos al tiempo de cocción.

Ejemplo: agregar 1 minuto al tiempo de cocción al nivel de potencia predeterminado de 100%:

Presione el botón Plus 30 (30 segundos más) dos veces.

Descongelar (por peso)

Ejemplo: descongelar 1 lb. (454 g) de alimentos con nivel de potencia predeterminado y tiempo de cocción determinado automáticamente:

1. Presione el botón Defrost (Descongelar) una vez. Aparece 0.0 en la pantalla.
2. Use los botones numéricos para ingresar el peso de los alimentos que se van a descongelar en libras (10 = 1 lb) Puede ingresar cualquier peso entre 0.1 y 6.0 lb.
3. Presione el botón START (INICIAR).

Cuando el tiempo de descongelamiento haya finalizado, escuchará 5 bips y aparecerá la palabra "Good" (Listo) en la pantalla.

Presione el botón **STOP** (DETENER) o abra la puerta.

Advertencia: La cantidad del peso debe ser una entrada válida para que esta función se active. Una entrada de peso válida es de entre 0.1 y 6.0 libras.

Descongelar (por tiempo)

Ejemplo: descongelar alimentos al 30% de nivel de potencia predeterminado durante 5 minutos:

1. Presione el botón Defrost (Descongelar) dos veces. Aparece 0:00 en la pantalla.
2. Use los botones numéricos para ingresar el tiempo de descongelamiento deseado (el tiempo de descongelamiento puede programarse hasta 99 minutos y 99 segundos).
3. Presione el botón START (INICIAR).

Cuando el tiempo de calentamiento haya finalizado, escuchará 5 bips y aparecerá la palabra "Good" (Listo) en la pantalla.

Presione el botón **STOP** (DETENER) o abra la puerta.

Advertencia: Los niveles de potencia no pueden cambiarse ni en descongelamiento (por peso) ni en descongelamiento (por tiempo), dado que los resultados de descongelamiento se verán afectados adversamente.

Notas especiales para descongelar por tiempo

- Después de presionar la tecla START/Pause (INICIAR/Pausa), la pantalla hará una cuenta regresiva del tiempo de descongelamiento restante. El horno emitirá un bip dos veces durante el ciclo de descongelamiento. En este momento, abra la puerta y dé vuelta los alimentos, si es necesario, y retire cualquier parte que ya se haya descongelado. Presione la tecla START/Pause (INICIAR/Pausa) para reanudar el ciclo de descongelamiento.
- Cuando se haya finalizado el calentamiento, escuchará 5 bips.

Consejos para descongelar

- Al usar la función de descongelamiento por peso, el peso ingresado debe estar siempre en libras (las entradas válidas son de entre 0.1 y 6.0 libras).
- Use tanto la función de descongelamiento por peso como la de descongelamiento por tiempo para alimentos crudos únicamente. El descongelamiento tiene mejores resultados cuando los alimentos que serán descongelados tienen una temperatura mínima de 0 °F (sacados directamente de un congelador real). Si los alimentos se guardaron en un refrigerador-congelador que no mantiene una temperatura de 5 °F o menos, programe siempre un peso de alimentos más bajo o un tiempo de cocción más bajo para evitar que los alimentos se cocinen.
- Si los alimentos congelados se dejan fuera del congelador durante 20 minutos como máximo, ingrese un tiempo de cocción o peso menor.

- La forma del paquete alterará el tiempo de descongelamiento. Los paquetes de alimentos poco profundos y rectangulares se descongelan más rápidamente que un bloque de alimentos congelados profundo.
- Separe las partes que comiencen a descongelarse. Las partes de alimentos congelados que se separan se descongelan mejor.
- Cubra las áreas tibias de los alimentos con pequeños trozos de papel de aluminio si comienzan a calentarse.
- Puede utilizar trozos de papel de aluminio para cubrir alimentos como las alas y las puntas de las patas de pollo y las cola del pescado, pero no deje que el papel de aluminio toque las paredes de la cavidad del horno durante el descongelamiento.

Sugerencias para descongelar carne

Para obtener los mejores resultados, lea estas sugerencias para descongelar carne.

Carnes	Cantidad normal	Sugerencias
Carne de res o cerdo asada	2.5 a 6 lb (40 a 96 oz)	Comience con los alimentos colocados con el lado graso hacia abajo. Después de cada etapa, dé vuelta los alimentos y cubra cualquier parte tibia con tiras angostas de papel de aluminio. Deje reposar los alimentos, cubiertos, entre 15 y 30 minutos.
Bistecs, chuletas o pescado	0.5 a 3 lb (8 a 48 oz)	Después de cada etapa, reacomode los alimentos. Si hay alguna parte de los alimentos tibia o descongelada, cúbralos con trozos angostos y lisos de papel de aluminio. Retire cualquier pieza de alimento que esté prácticamente descongelado. Deje reposar los alimentos, cubiertos, aproximadamente entre 5 y 10 minutos.
Carne molida	0.5 a 3 lb (8 a 48 oz)	Después de cada etapa, retire cualquier trozo de alimento que esté prácticamente descongelado. Deje reposar los alimentos, cubiertos con papel de aluminio, entre 5 y 10 minutos.
Pollo entero	2.5 a 6 lb (40 a 96 oz)	Retire las menudencias antes de congelar aves. Comience a descongelar con la pechuga hacia abajo. Después de la 1.a etapa, dé vuelta el pollo y cubra cualquier parte tibia con tiras angostas de papel de aluminio. Después de la 2.a etapa, cubra nuevamente cualquier parte tibia con tiras angostas de papel de aluminio. Deje reposar los alimentos, cubiertos, entre 30 y 60 minutos en el refrigerador.
Trozos de pollo	0.5 a 3 lb (8 a 48 oz)	Después de cada etapa, reacomode o retire cualquier trozo de alimento que esté casi descongelado. Deje reposar los alimentos entre 10 y 20 minutos.

Recalentar

La función Recalentar tiene 3 valores rápidos preprogramados basados en el tamaño de la porción que se va a recalentar para su comodidad al cocinar.

Ejemplo: recalentar 24 onzas de alimentos.

1. Presione el botón Reheat (Recalentar) 3 veces para recalentar 24 oz de alimentos.

Aparecerá 24 oz en la pantalla (consulte la tabla de categorías para recalentar).

2. Presione el botón START (INICIAR).

Categoría para recalentar	Presione	Pantalla
8 oz de alimentos	1 vez	8 oz
16 oz de alimentos	2 veces	16 oz
24 oz de alimentos	3 veces	24 oz

Suegerencias para recalentar

Recalentar	Instrucciones	Cantidad
Plato de cena	<p>Use únicamente alimentos precocidos refrigerados. Cubra el plato con una envoltura de plástico ventilada o papel encerado hasta debajo del plato. Si el alimento no queda lo suficientemente caliente después de calentarlo con la función Reheat (Recalentar), continúe calentando con la programación de tiempo manual y nivel de potencia.</p> <p>Contenido:</p> <ul style="list-style-type: none">• 3 a 4 oz de carne de res, ave o pescado (hasta 6 oz con hueso)• ½ taza de alimentos con almidón (papas, pasta, arroz, etc.)• ½ taza de verduras (aproximadamente 3 a 4 oz)	1 porción (1 plato)
Guisado	<p>Cubra el plato con una tapa o con una envoltura de plástico ventilada. Si el alimento no queda lo suficientemente caliente después de calentarlo con la función Reheat (Recalentar), continúe calentando con la programación de tiempo manual y nivel de potencia.</p>	1 a 4 porciones
Pastas	<p>Revuelva los alimentos una vez antes de servirlos.</p> <p>Contenido:</p> <ul style="list-style-type: none">• Guiso: alimentos refrigerados (por ejemplo, estofado de carne de res o lasagna).• Pasta: spaghetti y raviolos en lata, alimentos refrigerados.	

Niveles de potencia sugeridos para cocinar

Los 10 niveles de potencia disponibles en este microondas le ayudarán a elegir la potencia que mejor se adapte al tipo de alimento que esté preparando. Al igual que con la preparación de alimentos en el horno de microondas, lo ideal es seguir las instrucciones para horno de microondas impresas en el envase del alimento.

La siguiente tabla proporciona los niveles de potencia sugeridos para diversos tipos de alimentos que puede preparar en el horno de microondas.

Sugerencias para obtener los mejores resultados

Para ayudarle a obtener los mejores resultados posibles de su horno de microondas, lea las siguientes sugerencias que figuran a continuación:

- **Temperatura de almacenamiento**
Los alimentos que se sacan del congelador o refrigerador demoran más en cocinarse que los alimentos que están a temperatura ambiente.
- **Tamaño**
Los trozos de alimentos pequeños se cocinan más rápido que los trozos más grandes. Los trozos de tamaño y forma similares se cocinan en forma más pareja al cocinarse juntos. Para obtener resultados más parejos, reduzca los niveles de potencia al cocinar trozos de alimentos grandes.
- **Humedad natural**
Los alimentos muy húmedos se cocinan en forma más pareja porque la energía de microondas calienta las moléculas de agua en forma muy eficaz.
- **Revolver**
Revuelva los alimentos, como guisos y verduras desde afuera hacia adentro para distribuir el calor en forma más pareja. Esto permite que el alimento se cocine más rápido. No es necesario revolver constantemente.
- **Dar vuelta los alimentos**
Dé vuelta los alimentos como chuletas de cerdo, carnes asadas o coliflor entero a la mitad del tiempo de cocción. Esto permitirá que todos los lados queden expuestos en forma pareja a la energía de microondas.
- **Colocación de los alimentos**
Coloque las áreas delicadas de los alimentos, como puntas de espárragos, hacia el centro de la bandeja giratoria.
- **Disposición de los alimentos**
Disponga alimentos de formas desparejas, como trozos de pollo o salmón, con las partes más gruesas o carnosas hacia afuera de la bandeja giratoria.
- **Dejar reposar los alimentos**
Al retirar los alimentos del horno de microondas, cúbralos con papel de aluminio o una tapa de cacerola y déjelos reposar para que terminen de cocinarse. Esto permitirá que el alimento se cocine en el centro y evitará el exceso de cocción en los bordes. El tiempo de reposo depende de la densidad y la superficie de los alimentos.
- **Envolver los alimentos en toallas de papel o papel encerado**
Los sándwiches y muchos otros tipos de alimentos que contienen pan preheado deben envolverse antes de colocarse en el horno de microondas para evitar que se sequen al calentarse.

Nivel de potencia	Salida de microondas	Usar para:
10 Alta	100%	Hervir agua Cocinar carne molida Preparar dulces Cocinar frutas y verduras frescas Cocinar carne de pescado y ave Precalentar recipientes para dorar Recalentar bebidas Cocinar rebanadas de tocino
9	90%	Recalentar rebanadas de carne rápidamente Saltar cebollas, apio y pimientos verdes
8	80%	Recalentar en general Cocinar huevos revueltos
7	70%	Cocinar panes y productos con cereales Cocinar platos con queso y ternera Pasteles, muffins, brownies y mantecadas Cocinar un ave entera
6	60%	Cocinar pasta
5	50%	Cocinar carne de res Cocinar natilla Cocinar costillas, costillar asado y solomillo asado
4	40%	Cocinar cortes de carnes de res menos tiernos Recalentar alimentos envasados congelados
3	30%	Descongelar carne de res, ave y frutos de mar Cocinar pequeñas cantidades de alimentos Terminar de cocinar guisos, estofados y algunas salsas
2	20%	Ablandar mantequilla y queso crema Calentar pequeñas cantidades de alimentos
1	10%	Ablandar helado Hacer leudar masa de levadura

Funcionamiento práctico

Palomitas de maíz



ATTENCION: No deje el horno de microondas sin supervisión mientras esté en uso.

La función Palomitas de maíz le permite preparar 3 tamaños distintos de bolsas de palomitas de maíz envasadas para microondas. Use la siguiente tabla para determinar la programación que utilizará.

Cantidad	Presione el botón Popcorn (Palomitas de maíz)
1.75 oz (programación predeterminada)	1 vez
3.0 oz.	2 veces
3.5 oz.	3 veces

Ejemplo: para preparar una bolsa de palomitas de maíz de 3.0 oz automáticamente:

1. Presione el botón Popcorn (Palomitas de maíz) (1, 2 ó 3 veces, consulte la tabla anterior para cambiar el tamaño de la bolsa)
2. Presione el botón START (INICIAR).

Cuando el tiempo de calentamiento haya finalizado, escuchará 5 bips y aparecerá la palabra "Good" (Listo) en la pantalla.

Presione el botón **STOP** (DETENER) o abra la puerta.

Papa

La función Potato (Papa) cocina 1, 2 ó 3 papas (tiempos de cocción basados en 8 a 24 oz) automáticamente. Use la siguiente tabla para determinar la programación que utilizará.

Cantidad	Presione el botón Potato (Papa)
1 papa (programación predeterminada)	1 vez
2 papas	2 veces
3 papas	3 veces

Ejemplo: para cocinar 1 papa automáticamente:

1. Presione el botón Potato (Papa) (1, 2 ó 3 veces, consulte la tabla anterior para cambiar la cantidad)
2. Presione el botón START (INICIAR).

Cuando el tiempo de calentamiento haya finalizado, escuchará 5 bips y aparecerá la palabra "Good" (Listo) en la pantalla.

Presione el botón **STOP** (DETENER) o abra la puerta.

Advertencia:

- Antes de cocinar, pinche las papas con un tenedor varias veces.
- Después de cocinar, deje reposar las papas durante 5 minutos.

Bebida

La función Bebida calienta 1, 2 ó 3 tazas de bebida. Use la siguiente tabla para determinar la programación que utilizará.

Cantidad	Presione el botón Beverage (bebida)
1 taza (aproximadamente 8 oz)	1 vez
2 tazas (aproximadamente 16 oz)	2 veces
3 tazas (aproximadamente 24 oz)	3 veces

Ejemplo: calentar 1 taza de bebida:

1. Presione el botón Beverage (Bebida) (1, 2 ó 3 veces, consulte la tabla anterior para cambiar la cantidad de porciones).
2. Presione el botón START (INICIAR).

Cuando el tiempo de calentamiento haya finalizado, escuchará 5 bips y aparecerá la palabra "Good" (Listo) en la pantalla.

Presione el botón **STOP** (DETENER) o abra la puerta.

Sugerencias para la cocción práctica

Categoría de practicidad	Cantidad	Sugerencias
Palomitas de maíz	1 paq. de 1.75, 3.0, 3.5 oz	Cocine una sola bolsa de palomitas de maíz "aptas para horno de microondas" por vez. Tenga cuidado al retirar y abrir la bolsa de palomitas de maíz caliente del horno. Deje enfriar el horno de microondas durante, al menos, 5 minutos antes de volver a usarlo.
Papa	1, 2, 3 papas 8, 16, 24 oz	Pinche cada papa varias veces con un tenedor. Coloque en la bandeja giratoria en forma de rayos. Después de cocinar, deje reposar entre 3 y 5 minutos. Deje enfriar el horno durante, al menos, 5 minutos antes de volver a usarlo. Use el botón Start/+30sec (Iniciar/30 segundos más) para aumentar el tiempo de cocción para papas más grandes.
Bebida	1, 2, 3 tazas (8 oz, 16 oz, 24 oz)	Use una taza medidora o tazón apto para horno de microondas; no los cubra. Coloque la bebida en el horno de microondas. Después de calentar, revuelva bien. Deje enfriar el horno durante, al menos, 5 minutos antes de volver a usarlo. Las bebidas calentadas con la categoría para bebidas pueden estar muy calientes. Retire el recipiente con cuidado.

Cocinar carne de res en su horno de microondas

Asegúrese de colocar las carnes de res preparadas sobre una rejilla para asar apta para horno de microondas, sobre un plato apto para horno de microondas. Comience a cocinar la carne de res con el lado de la grasa hacia abajo y, si es necesario, use tiras angostas de papel de aluminio para cubrir las puntas de huesos o áreas delgadas de carne. Después de cocinar, mida la temperatura en varios lugares antes de dejar reposar la carne el tiempo recomendado. Recuerde que las temperaturas indicadas en los siguientes cuadros son las temperaturas al momento de retirar el alimento; la temperatura aumenta durante el período de reposo.

Carnes	Nivel de potencia	Tiempo de cocción	Instrucciones
Carne de res asada deshuesada (hasta 4 lb)	Alta (10) durante los primeros 5 minutos, luego media (5)	12-17 min/lb en 160 °F (Término medio)	Coloque la carne de res con el lado de grasa hacia abajo sobre la rejilla para asar. Cubra con papel encerado. Dela vuelta a la mitad de la cocción. Deje reposar * entre 10 y 15 minutos.
		14-19 min/lb en 170 °F (Bien cocida)	
Carne de cerdo asada deshuesada o con hueso (hasta 4 lb)	Alta (10) durante los primeros 5 minutos, luego media (5)	15-20 min/lb en 170 °F (Bien cocida)	Coloque la carne de cerdo con el lado de grasa hacia abajo sobre la rejilla para asar. Cubra con papel encerado. Dela vuelta a la mitad de la cocción. Deje reposar* entre 10 a 15 minutos.

* Puede esperar un aumento de temperatura de hasta 10 °F durante el período de reposo.

Carnes	Nivel de cocción	Retire del horno	Después de reposar (10-15 min)
Carne de res	Término medio	150 °F	150 °F
	Bien cocida	160 °F	160 °F
Cerdo	Término medio	150 °F	150 °F
	Bien cocida	160 °F	160 °F
Carne de ave	Carne oscura	170 °F	170 °F
	Carne blanca	160 °F	160 °F

Cocción de carne de ave en su horno de microondas

Asegúrese de colocar la carne de ave sobre una rejilla para asar apta para horno de microondas en un plato apto para horno de microondas. Cubra el ave con papel encerado para evitar salpicaduras. Use tiras angostas de papel de aluminio para cubrir las puntas de huesos o la áreas delgadas de carne, o las áreas que comienzan a cocinarse excesivamente. Después de cocinar, mida la temperatura en varios lugares antes de dejar reposar la carne el tiempo recomendado.

Carnes	Nivel de potencia	Tiempo de cocción	Instrucciones
Pollo entero (hasta 4 lb)	media alta (7) 180 °F carne oscura 170 °F carne oscura	7-10 min/lb	Coloque el pollo con el lado de la pechuga hacia abajo sobre la rejilla para asar. Cubra con papel encerado. Delo vuelta a la mitad de la cocción. Cocine hasta que el jugo sea transparente y la carne no esté rosada cerca del hueso. Deje reposar entre 5 y 10 minutos.
Trozos de pollo (hasta 4 lb)	media alta (7) 180 °F carne oscura 170 °F carne oscura	7-10 min/lb	Coloque el pollo con el lado del hueso hacia abajo sobre un plato; los trozos más gruesos deben apuntar hacia adentro del plato. Cubra con papel encerado. Delo vuelta a la mitad de la cocción. Cocine hasta que el jugo sea transparente y la carne no esté rosada cerca del hueso. Deje reposar entre 5 y 10 minutos.

Cocción de huevos en su horno de microondas

- Nunca cocine huevos con cáscara y nunca caliente huevos duros con cáscara ya que pueden explotar.
- Siempre pinche los huevos enteros para evitar que exploten.
- Cocine los huevos solo hasta que cuajen; se pondrán duros si se cocinan en exceso.

Cocción de verduras en su horno de microondas

- Las verduras deben lavarse justo antes de cocinarse. Por lo general, no es necesario agregar agua. Si quiere cocinar verduras densas como papas, zanahorias y verduras, agregue aproximadamente ¼ taza de agua.
- Las verduras pequeñas (zanahorias rebanadas, arvejas, pallares, etc.) se cocinan más rápido que las verduras más grandes.
- Las verduras enteras, como papas, zapallo o elote en mazorca, deben disponerse en un círculo sobre la bandeja giratoria antes de cocinarlos. Se cocinan en forma más pareja si se dan vuelta a la mitad de la cocción.
- Siempre coloque las verduras, como espárragos y brócoli, con los extremos de los tallos hacia el borde del plato y las puntas hacia el centro.
- Al cocinar verduras cortadas, siempre cubra el plato con una tapa o una envoltura de plástico ventilada apta para horno de microondas.
- Debe pinchar en varios lugares la cáscara de las verduras enteras sin pelar, como las papas, el calabaza, la berenjena, etc., antes de cocinarlas para evitar que exploten.
- Para una cocción más pareja, revuelva o reacomode las verduras enteras a la mitad del tiempo de cocción.
- La mayoría de las veces, cuanto más denso el alimento, mayor es el tiempo de reposo necesario. Por ejemplo, una papa horneada debe reposar 5 minutos antes de servirla, mientras que un plato de chícharos puede de servirse de inmediato.

Cocción de frutos de mar en su horno de microondas

Coloque el pescado sobre una rejilla para asar apta para horno de microondas en un recipiente apto para horno de microondas. Asegúrese de siempre cocinar el pescado hasta que se pueda desmenuzar fácilmente con un tenedor. Use una tapa hermética para cocinar pescado al vapor; una cubierta más ligera de papel encerado o toalla de papel genera menos vapor. Y asegúrese de no cocinar el pescado en exceso; verifique el nivel de cocción cuando transcurra el tiempo mínimo de cocción antes de seguir cocinándolo.

Frutos de mar	Nivel de potencia	Tiempo de cocción	Instrucciones
Bistecs de pescado Hasta 1 ½ lb	media alta (7)	7-11 min/lb	Disponga el pescado sobre una rejilla para asar con las partes más carnosas hacia afuera de la rejilla. Cubra con papel encerado. Delo vuelta y reacomode el pescado a la mitad del tiempo de cocción. Cocine hasta que el pescado se pueda desmenuzar fácilmente con un tenedor. Deje reposar entre 3 y 5 min.
Filetes de pescado Hasta 1 ½ lb	media alta (7)	4-8 min/lb	Disponga los filetes en un recipiente para hornear, metiendo hacia adentro las partes finas. Cubra con papel encerado. Si tienen un grosor de más de ½ pulgada, delos vuelta y reacomódelos a la mitad del tiempo de cocción. Cocine hasta que el pescado se pueda desmenuzar fácilmente con un tenedor. Deje reposar entre 2 y 3 min.
Camarones Hasta 1 ½ lb	media alta (7)	4-6½ min/lb	Disponga los camarones en un recipiente para hornear sin superponerlos ni colocarlos en capas. Cubra con papel encerado. Cocínelos hasta que queden firmes y opacos, y revuelva 2 ó 3 veces. Deje reposar 5 min.

Limpieza y mantenimiento

Limpieza

Sugerencias para la limpieza

Para un mejor rendimiento y por motivos de seguridad, mantenga limpio el interior y el exterior del horno. Tenga especial cuidado para mantener el panel interior de la puerta y el marco delantero del horno libre de acumulación de alimentos y grasa.

Nunca use detergente en polvo ni almohadillas abrasivos en el horno de microondas. Limpie el horno de microondas por dentro y por fuera con un paño suave y una solución de detergente suave y tibia (no caliente). Luego, enjuague y seque completamente.

Limpie de inmediato las salpicaduras con una toalla de papel húmeda, especialmente después de cocinar alimentos con grasa, como pollo o tocino.

Limpie su horno de microondas semanalmente o con más frecuencia, si es necesario.

Siga estas instrucciones para limpiar y cuidar su horno de microondas:

Mantenga limpio el interior (la cavidad) del horno. Las partículas de alimentos y los líquidos derramados pueden pegarse a las paredes del horno, y esto hará que el horno funcione de manera menos eficaz.

Limpie los derrames de inmediato. Use un paño húmedo y limpio y jabón suave. **NO** use detergentes agresivos ni limpiadores abrasivos.

Para remover las partículas de alimentos horneados o líquidos más fácilmente, caliente 2 tazas de agua (agregue el jugo de 1 limón si desear mantener el horno con un aroma fresco) en un recipiente medidor de vidrio de 4 tazas en un nivel de potencia alta durante 5 minutos o hasta que hierva. Deje reposar en la cavidad del horno durante 1 ó 2 minutos.

Retire la charola de la bandeja giratoria de vidrio del horno al limpiar la cavidad del horno o la charola. Para evitar que la bandeja giratoria de vidrio se rompa, manipúlela con cuidado y no la coloque en agua inmediatamente después de cocinar. Lave la charola de la bandeja giratoria en agua jabonosa tibia o en el lavavajillas.

Limpie la superficie exterior del horno de microondas con jabón y un paño húmedo limpio. Seque con un paño suave limpio. Para evitar daños en las piezas operativas del horno, no deje que entre agua en ninguna ventilación ni abertura.

Lave la ventana de la puerta del horno con jabón muy suave y agua. Asegúrese de usar un paño suave y limpio para evitar rayones.

Si se acumula vapor dentro o fuera de la puerta del horno, limpie con un paño suave. El vapor se puede acumular al operar el horno en condiciones de alta humedad; esto no significa que haya fugas en el horno de microondas.

Nunca opere el horno sin alimentos en su cavidad; esto puede dañar el tubo de magnetrón o la charola de vidrio. Tal vez prefiera dejar una taza de agua dentro del horno cuando no esté en uso para evitar daños en caso de que se encienda accidentalmente.

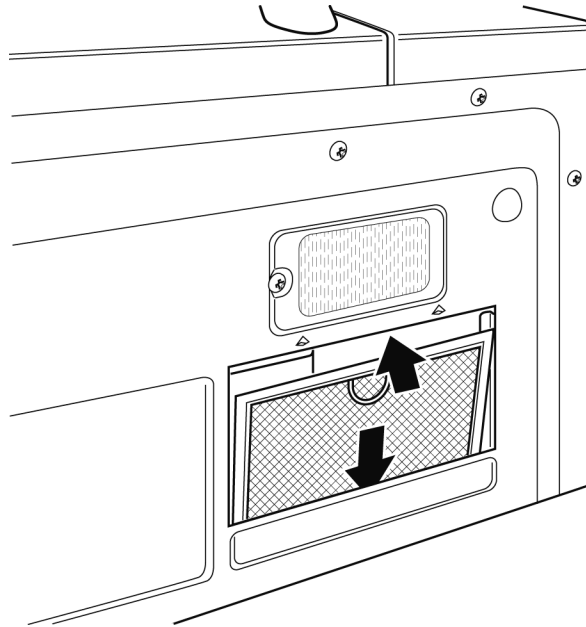
Limpeza de los filtros de escape

Los filtros de escape de ventilación del horno se deben retirar y limpiar con frecuencia; por lo general, al menos, una vez al mes.



ATTENCION: Para evitar riesgos de lesiones personales o daños materiales, no opere la campana del horno sin los filtros correctamente colocados.

1. Para retirar los filtros de ventilación de escape, deslice el filtro hacia la parte posterior. Luego, jale el filtro hacia abajo y empuje hacia el otro lado. El filtro se liberará. Repita la operación con el segundo filtro.



2. Remoje los filtros de ventilación en agua caliente con un detergente suave. Enjuáguelos bien y sacúdalos para que se sequen. No use amoníaco ni los lave en un lavavajillas. El aluminio del filtro se corroe y oscurece.
3. Para volver a instalar el filtro de ventilación del escape, deslícelo en la ranura lateral, luego, empújelo hacia arriba y en dirección al horno para que quede trabado. Vuelva a instalar el segundo filtro con el mismo procedimiento.

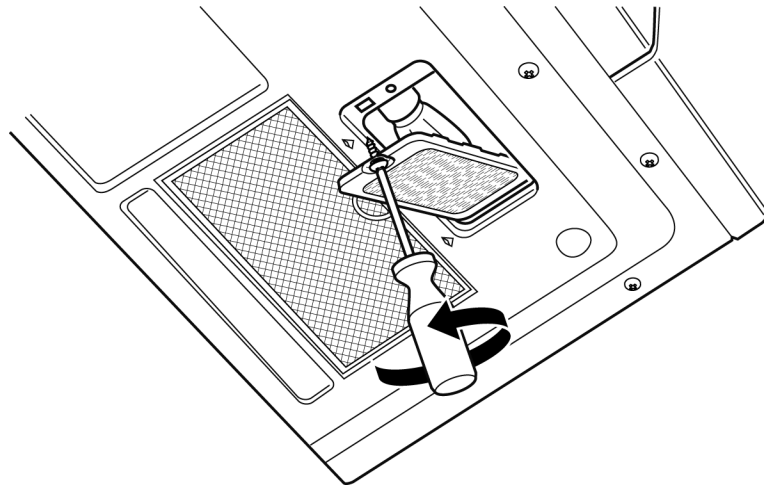
Mantenimiento

Cambio del foco de superficie

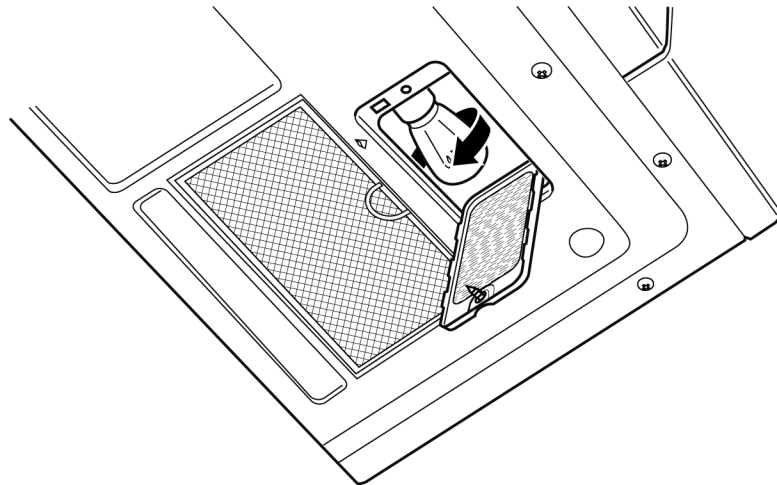


ATTENCION: Para evitar riesgos de lesiones personales o daños materiales, use guantes al cambiar los focos.

1. Desenchufe el horno de microondas o apague la alimentación eléctrica desde el disyuntor principal.
2. Retire los tornillos de montaje de la tapa del foco en ambas posiciones de la luz debajo del horno de microondas.



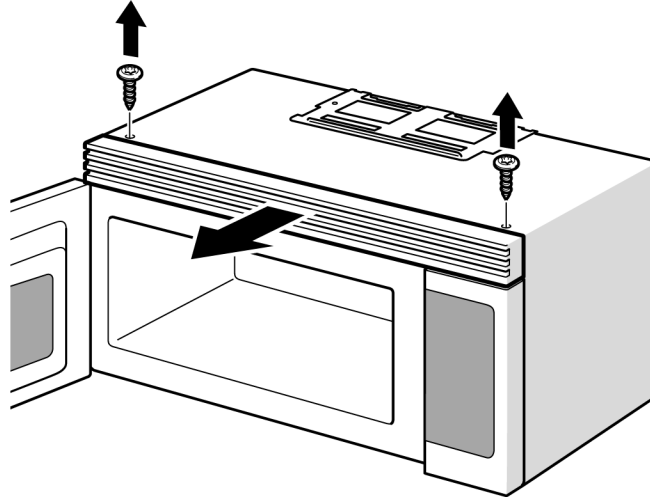
3. Reemplace el foco con un foco para electrodomésticos de 30 vatios.



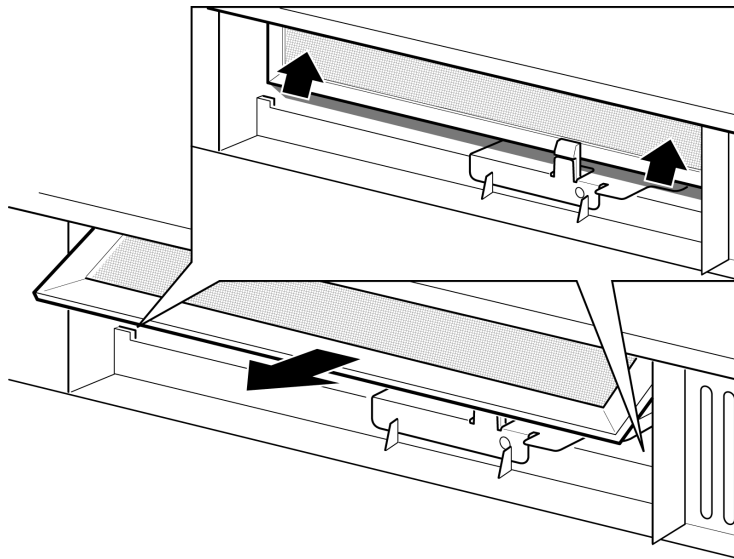
4. Vuelva a colocar la tapa del foco y el tornillo de montaje.
5. Vuelva enchufar el horno de microondas a la alimentación eléctrica o vuelva a encender la alimentación eléctrica desde el disyuntor principal.

Cambio del foco del horno

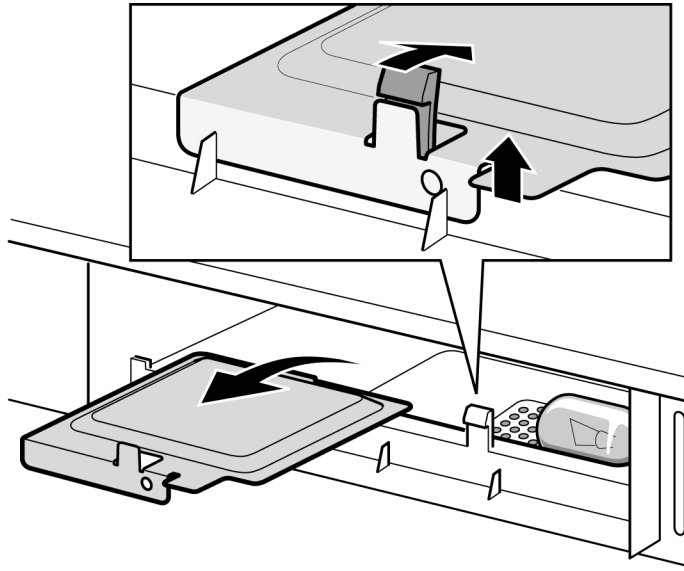
1. Para cambiar el foco, primero desconecte la alimentación eléctrica del horno de microondas desde el panel del disyuntor o desenchufando el electrodoméstico.
2. Retire los tornillos de montaje de la rejilla de ventilación.
3. Jale la rejilla de ventilación hacia afuera de la unidad.



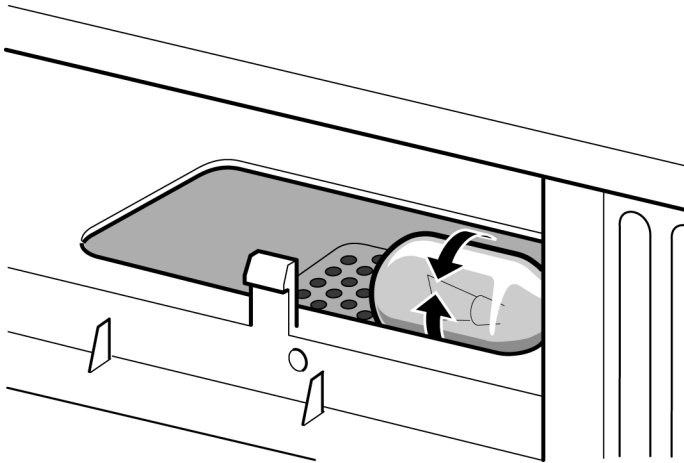
4. Retire el filtro de carbón empujándolo hacia adentro, luego gírelo y jálelo hacia afuera de la unidad.



5. Abra la tapa del foco ubicado detrás del montaje del filtro jalándola con cuidado hacia arriba en el borde delantero.



6. Retire el foco usado y reemplácelo sólo por un foco de 30 vatios equivalente disponible a través del distribuidor de piezas. Los focos también se encuentran disponibles en la mayoría de las ferreterías o centros de iluminación.



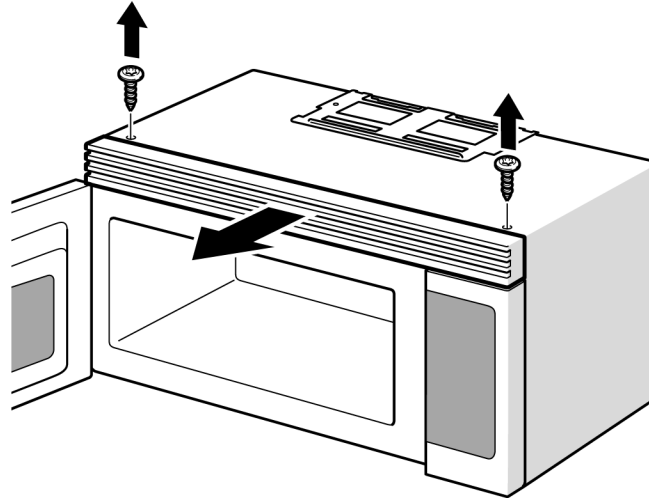
Advertencia: NO USE FOCOS DE MÁS DE 30 VATIOS.

7. Vuelva a colocar la tapa del foco del horno de microondas empujándola con cuidado en su lugar. Vuelva a colocar el filtro de carbón. Empuje la rejilla de ventilación para ubicarla nuevamente en su lugar (enganche las lengüetas superior e inferior) y vuelva a colocar los tornillos de montaje de la rejilla de ventilación.

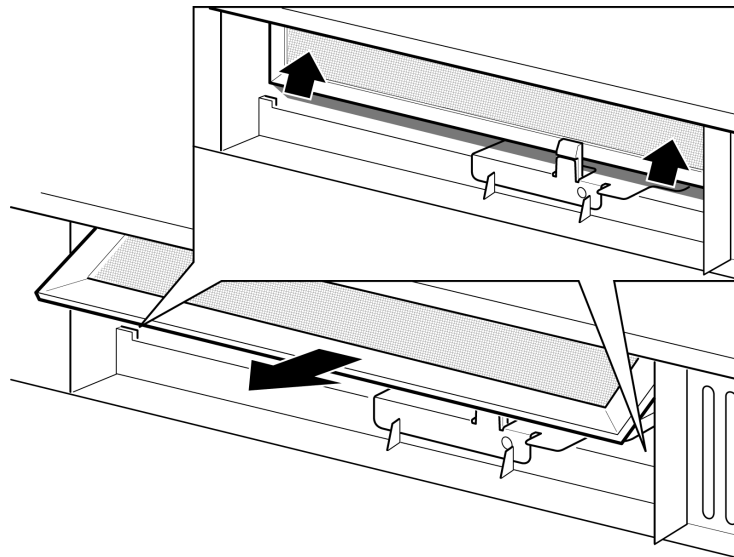
Cambio del filtro de carbón

El filtro de carbón, que se incluye con su horno de microondas, está diseñado para una instalación sin ventilación ni recirculación (ventilación de ambiente). El filtro debe cambiarse cada 6 a 12 meses, según su uso.

1. Desconecte la alimentación eléctrica del horno de microondas desde el panel del disyuntor o desenchufando el electrodoméstico.
2. Retire los tornillos de montaje de la rejilla de ventilación.
3. Jale la rejilla de ventilación hacia afuera de la unidad.



4. Cambie el filtro de carbón.



5. Empuje la rejilla de ventilación con cuidado de regreso en su lugar y vuelva a colocar los tornillos que retiró en el Paso 2.

Advertencia: Si no hay un filtro de carbón instalado, no se absorberán las sustancias olorosas de los vapores de cocción.

Servicio técnico

Resolución de problemas

Antes de llevar su horno de microondas a un técnico en reparación, verifique en la lista que aparece a continuación posibles soluciones fáciles a algunos de los problemas más frecuentes.

La pantalla del horno de microondas ni el horno funcionan

- Conecte correctamente el enchufe en una toma de corriente conectada a tierra.
- Si la toma de corriente es controlada por un interruptor de pared, asegúrese de que el interruptor de pared esté encendido.
- Retire el enchufe de la toma de corriente y espere 10 segundos; luego, vuelva a enchufar el horno de microondas.
- Reprograme el disyuntor doméstico o reemplace cualquier fusible quemado.
- Enchufe otro electrodoméstico en la toma de corriente de alimentación eléctrica. Si el otro electrodoméstico no funciona, haga que un electricista calificado repare la toma de corriente.
- Enchufe el horno de microondas en otra toma de corriente de alimentación eléctrica.

La pantalla del horno funciona, pero el horno no

- Asegúrese de que la puerta del horno de microondas esté cerrada firmemente y por completo.
- Verifique si hay material de embalaje u otros materiales atascados en el sello de la puerta.
- Verifique que la puerta del horno no tenga daños.
- Presione el botón **STOP/cancel** (DETENER/cancelar) dos veces e intente volver a ingresar las instrucciones de cocción.

La alimentación eléctrica se corta antes de que haya transcurrido el tiempo de cocción

- Si hubo una interrupción de la alimentación eléctrica, retire el enchufe de la toma de corriente y espere 10 segundos; luego, vuelva a enchufar el horno de microondas. Si hubo un corte de suministro eléctrico, el indicador de tiempo en la pantalla indicará **00:00**.
- Reprograme el reloj y las instrucciones de cocción.
- Reprograme el disyuntor doméstico o reemplace cualquier fusible quemado.
- Presione el botón **STOP/cancel** (DETENER/cancelar) dos veces e intente volver a ingresar las instrucciones de cocción.
- Enchufe otro electrodoméstico en la toma de corriente. Si el otro electrodoméstico no funciona, haga que un electricista calificado repare la toma de corriente.
- Enchufe el horno de microondas en otra toma de corriente de alimentación eléctrica.

La cocción de los alimentos es muy lenta

- Asegúrese de que el horno esté conectado a una línea de circuito de 20 A por separado. Hacer funcionar otro electrodoméstico en el mismo circuito puede provocar una caída de voltaje. Si es necesario, cambie el horno de microondas a su propio circuito.

Se observan chispas o arcos eléctricos

La bandeja giratoria hace ruido o se pega

El horno de microondas causa interferencias en su TV o radio

- Retire utensilios metálicos, recipientes para cocinar o cierres de metal de la cavidad del horno. Si usa papel de aluminio, use únicamente tiras angostas y deje, al menos, una pulgada entre el papel y las paredes interiores del horno.
- Limpie la bandeja giratoria, el anillo giratorio y la base de la cavidad del horno.
- Asegúrese de que la bandeja giratoria y el anillo giratorio estén colocados correctamente.
- Esta interferencia es similar a la producida por otros electrodomésticos pequeños, como secadores de cabello. Aleje su horno de microondas de otros electrodomésticos, como su TV o radio.

Advertencia: Si el horno está programado para cocinar durante más de 30 minutos a un nivel de potencia de 100%, se ajustará automáticamente a un nivel de potencia del 80% después de 30 minutos para evitar el exceso de cocción.

Si tiene un problema que no puede solucionar, no dude en comunicarse con nuestra línea de servicio técnico:

Servicio al Cliente

Si necesita reparar el electrodoméstico, llame a nuestro departamento de Servicio al Cliente. Nuestro Centro de Servicio al Cliente principal (consulte a continuación) también se complacerá en brindarle la información sobre un centro cercano a su domicilio.

Número (E) de modelo y el número FD

Cuando llame a nuestro servicio al cliente, tenga a la mano el número (E) de modelo y el número FD de su electrodoméstico.

Puede encontrar la placa de identificación con estos números en la parte inferior del electrodoméstico y en el manual del electrodoméstico.

¿Preguntas? Comuníquese con nosotros. ¡Esperamos tener noticias tuyas pronto!

800-944-2904
www.boschappliances.com
5551 McFadden Ave.
Huntington Beach, CA 92649 USA

DECLARACIÓN DE GARANTÍA LIMITADA DEL PRODUCTO

Cobertura de esta garantía y a quiénes se aplica

La garantía limitada otorgada por BSH Home Appliances Bosch en esta Declaración de Garantía Limitada del Producto se aplica únicamente al horno de microondas para instalación sobre estufa (Over the Range, OTR) de Bosch ("producto") vendido a usted, el primer comprador usuario, siempre que el Producto haya sido comprado:

- Para uso doméstico (no comercial) normal y haya sido utilizado en todo momento únicamente para fines domésticos normales.
- Nuevo en una tienda minorista (que no sea un producto de exhibición, ni un producto vendido "en las condiciones en que se encuentra" ni un modelo devuelto anteriormente) y no esté destinado para reventa ni uso comercial.
- Dentro de los Estados Unidos o Canadá, y permanezca en todo momento dentro del país de compra original.

Las garantías incluidas en el presente se aplican únicamente al primer comprador del Producto y no son transferibles. Bosch se reserva el derecho de pedir el comprobante de compra al momento de presentar cualquier reclamo de garantía para confirmar que el producto se encuentre dentro del alcance de esta garantía limitada del producto.

Asegúrese de devolver su tarjeta de registro; si bien no es necesario para hacer efectiva la cobertura de la garantía, es la mejor manera para que Bosch le notifique en el caso poco probable de que se emita un aviso de seguridad o se retire del mercado un producto.

Duración de la garantía

Bosch garantiza que el Producto no tiene defectos en los materiales ni en la mano de obra durante un período de trescientos sesenta y cinco (365) días a partir de la fecha de compra. El período precedente comienza a regir a partir de la fecha de compra y no se interrumpirá, dejará sin efecto, extenderá ni suspenderá por ningún motivo.

Reparación/reemplazo como único recurso

Durante el período de esta garantía, Bosch o uno de sus proveedores de servicio técnico autorizados reparará su Producto sin cargo para usted (con sujeción a determinadas limitaciones especificadas en la presente) si se prueba que su Producto ha sido fabricado con un defecto en los materiales o en la mano de obra. Si se ha intentado de manera razonable reparar el Producto sin éxito, Bosch reemplazará su Producto (es posible que usted tenga disponibles modelos mejorados, a entera discreción de Bosch, por un cargo adicional). Todas las piezas y los componentes extraídos serán propiedad de Bosch, a su entera discreción. Todas las piezas reemplazadas y/o reparadas se considerarán como la pieza original a los fines de esta garantía, y esta garantía no se extenderá con respecto a dichas partes. En virtud de la presente, la única y exclusiva responsabilidad y obligación de Bosch es únicamente reparar el Producto defectuoso de fábrica, a través de un proveedor de servicio técnico autorizado por Bosch durante el horario normal de oficina. Por cuestiones de seguridad y daños materiales, Bosch recomienda categóricamente que no intente reparar el Producto usted mismo ni use un centro de servicio técnico no autorizado; Bosch no tendrá responsabilidad ni obligación alguna por las reparaciones o trabajos realizados por un centro de servicio técnico no autorizado. Si usted prefiere que una persona que no es un proveedor de este servicio técnico autorizado trabaje en su Producto, ESTA GARANTÍA SE ANULARÁ AUTOMÁTICAMENTE.

Los proveedores de servicio técnico autorizados son aquellas personas o compañías que han sido especialmente capacitadas para manejar los productos Bosch y que tienen, según el criterio de Bosch, una reputación superior de servicio al cliente y capacidad técnica (debe tener en cuenta que son entidades independientes y *no* son agentes, socios, afiliados ni representantes de Bosch). Sin perjuicio de lo que antecede, Bosch no tendrá responsabilidad ni obligación alguna por el Producto que se encuentre en un área remota (a más de 100 millas de un proveedor de servicio técnico autorizado) o en un lugar, área circundante o entorno que no sea accesible por medios razonables o que sea peligroso, hostil o arriesgado; en cualquier caso, a su solicitud, Bosch de todas maneras pagará por la mano de obra y las piezas, y enviará las piezas al proveedor de servicio técnico autorizado más cercano, pero usted seguirá siendo totalmente responsable por el tiempo de viaje y demás cargos especiales de la compañía de servicio técnico, suponiendo que acepte hacer la visita de servicio técnico.

Producto fuera de garantía

Bosch no tiene obligación alguna, en virtud de la ley o por otro motivo, de otorgarle ninguna concesión, incluidos reparaciones, prorrates o reemplazo del Producto, con posterioridad al vencimiento de la garantía.

Exclusiones de la garantía

La cobertura de garantía descrita en la presente excluye todos los defectos o daños que no fueron provocados directamente por Bosch, incluidos, entre otros, alguno de los siguientes:

- Uso del Producto de maneras distintas del uso normal, habitual y previsto (incluidos, entre otros, cualquier forma de uso comercial, uso o almacenamiento en exteriores de un producto diseñado para interiores, uso del Producto en aeronaves o embarcaciones).
- Conducta indebida, negligencia, uso indebido, abuso, accidentes, descuido, operación inadecuada, omisión de mantener, instalación inadecuada o negligente, adulteración, omisión de seguir las instrucciones de operación, manipulación inadecuada, servicio técnico no autorizado (incluidos "arreglos" o exploración de los mecanismos internos del electrodoméstico realizados por uno mismo) por parte de cualquier persona.
- Ajuste, alteración o modificación de cualquier tipo.
- Incumplimiento de los códigos, reglamentaciones o leyes de electricidad, plomería y/o construcción estatales, locales, municipales o de condado, incluida la omisión de instalar el producto cumpliendo estrictamente con los códigos y reglamentaciones locales de construcción y protección contra incendios.
- Desgaste habitual, derrames de alimentos, líquidos, acumulaciones de grasa u otras sustancias que se acumulen sobre el Producto, dentro o alrededor de este.
- Y cualquier fuerza y factor externo, elemental y/o ambiental, incluidos, entre otros, lluvia, viento, arena, inundaciones, incendios, aludes de lodo, temperaturas bajas extremas, humedad excesiva o exposición prolongada a la humedad, rayos, sobrecargas eléctricas, fallas estructurales alrededor del electrodoméstico y caso fortuito.

En ningún caso, Bosch tendrá responsabilidad ni obligación alguna por los daños ocasionados a los bienes circundantes, incluidos los gabinetes, pisos, techos y demás estructuras u objetos que se encuentren alrededor del producto. También se excluyen de esta garantía las rayas, hendiduras, abolladuras menores y daños estéticos en superficies externas y piezas expuestas; productos en los cuales los números de serie hayan sido alterados, modificados o eliminados; visitas del servicio técnico para enseñarle a usar el Producto o visitas en las que se determine que no hay ningún problema con el Producto; corrección de los problemas de instalación (usted es el único responsable de cualquier estructura y soporte del Producto, incluidas las instalaciones de electricidad y plomería o demás

instalaciones de conexión, de la correcta instalación en bases/pisos y de cualquier alteración, incluidos, entre otros, gabinetes, paredes, pisos, repisas, etc.); y el restablecimiento de disyuntores o fusibles.

EN LA MEDIDA PERMITIDA POR LA LEY, ESTA GARANTÍA ESTABLECE SUS RECURSOS EXCLUSIVOS CON RESPECTO AL PRODUCTO, INDEPENDIENTEMENTE DE QUE LA RECLAMACIÓN SEA CONTRACTUAL O EXTRA CONTRACTUAL (INCLUIDA LA RESPONSABILIDAD OBJETIVA O LA NEGLIGENCIA), O DE CUALQUIER OTRO MODO. ESTA GARANTÍA REEMPLAZA TODAS LAS DEMÁS GARANTÍAS EXPRESAS O IMPLÍCITAS. GARANTÍA IMPLÍCITA POR LEY, YA SEA DE COMERCIABILIDAD O APTITUD PARA UN FIN ESPECÍFICO, O DE CUALQUIER OTRO TIPO, TENDRÁ VIGENCIA ÚNICAMENTE POR EL PERÍODO DE VIGENCIA DE LA PRESENTE GARANTÍA LIMITADA. EN NINGÚN CASO, EL FABRICANTE SERÁ RESPONSABLE POR LOS DAÑOS CONSECUENTES, ESPECIALES, INCIDENTALES, INDIRECTOS, POR "PÉRDIDAS COMERCIALES" Y/O DAÑOS PUNITIVOS, PÉRDIDAS O GASTOS, INCLUIDOS, ENTRE OTROS, TIEMPO FUERA DEL TRABAJO, HOTELES Y/O COMIDAS EN RESTAURANTES, GASTOS DE REMODELACIÓN QUE SUPEREN LOS DAÑOS DIRECTOS, QUE DEFINITIVAMENTE HAYAN SIDO CAUSADOS DE MANERA EXCLUSIVA POR BOSCH O DE OTRO MODO. ALGUNOS ESTADOS NO PERMITEN LA EXCLUSIÓN O LIMITACIÓN DE DAÑOS INCIDENTALES O CONSECUENTES, Y ALGUNOS ESTADOS NO PERMITEN LIMITACIONES CON RESPECTO AL PLAZO DE VIGENCIA DE UNA GARANTÍA IMPLÍCITA; POR LO TANTO, ES POSIBLE QUE LAS LIMITACIONES PRECEDENTES NO SE APLIQUEN. ESTA GARANTÍA LE OTORGA DERECHOS LEGALES ESPECÍFICOS, Y TAMBIÉN PUEDEN CORRESPONDERLE OTROS DERECHOS QUE PUEDEN VARIAR SEGÚN EL ESTADO.

Ningún intento de alterar, modificar o enmendar la presente garantía entrará en vigencia, a menos que fuera autorizado por escrito por un ejecutivo de BSH.

Cómo obtener el servicio técnico de la garantía

Para obtener el servicio técnico de la garantía de su Producto, debe comunicarse con el centro de servicio autorizado de Bosch más cercano.

BSH Home Appliances 5551 - Mc Fadden Ave., Huntington Beach, CA 92649 USA

1-800-944-2904

