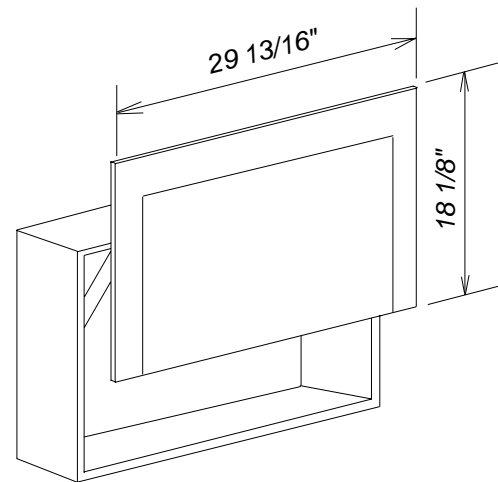
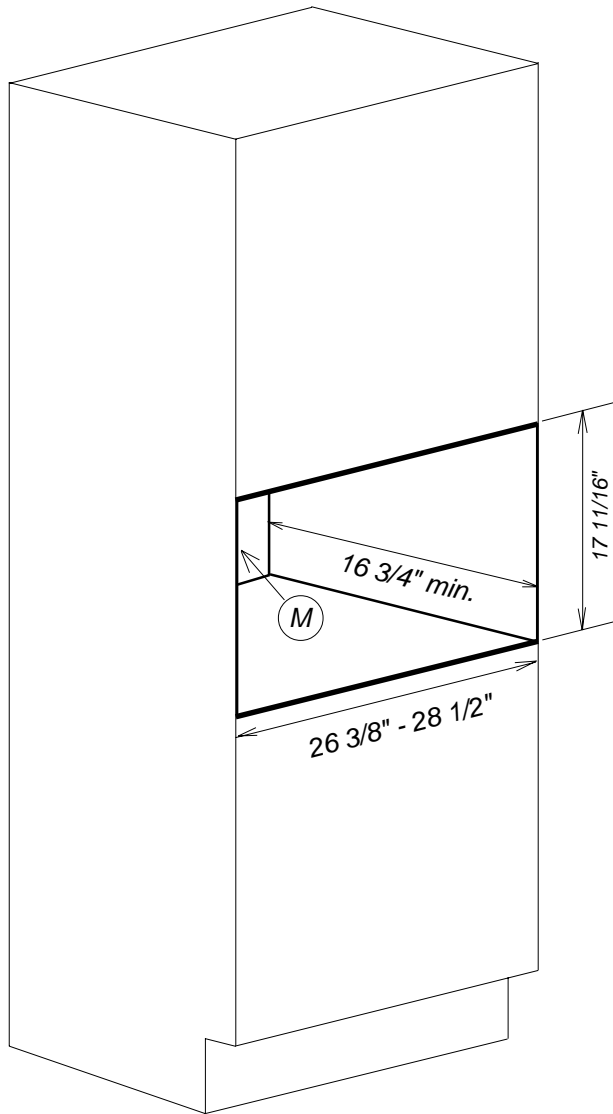


Product and Cut-out Dimensions

Micro Housing

MLT4800



| Location Codes |
|--|
| M - 110 Volt - 15 Amp - 3-wire device. (1 live / neutral / ground). |
| Notes |
| • All installations must be done in accordance with local codes. |

NOTE: Drawing is not to scale.
SPECIFICATION SHEETS 010305