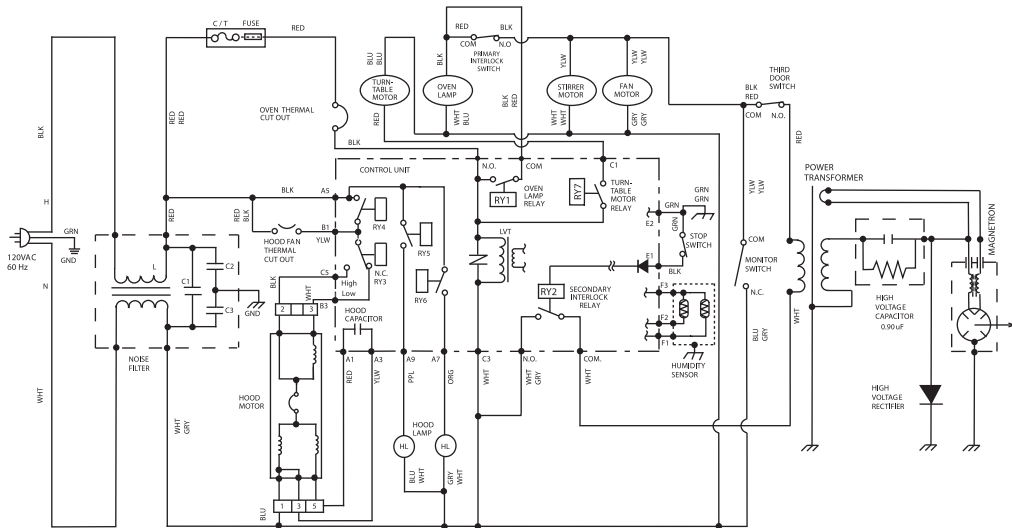


# OR7 CSA MODEL

SCHEMATIC DIAGRAM (DOOR CLOSED COOK OFF CONDITION)



**NOTES:**

1. Circuits subject to change without notice
2. Terminal with projection or opposite blue mark on lamp socket must be connected to neutral wire.
3. Only certain models use the absolute humidity sensor.

**LEAD WIRE COLOR CODE**

BLK : BLACK	GRY : GRAY	GRN : GREEN
BRN : BROWN	WHT : WHITE	
ORG : ORANGE	BLU : BLUE	
PNK : PINK		
PPL : PURPLE		
RED : RED		
YLW : YELLOW		

P/N 316488530  
TMAPCA794WRRZ