
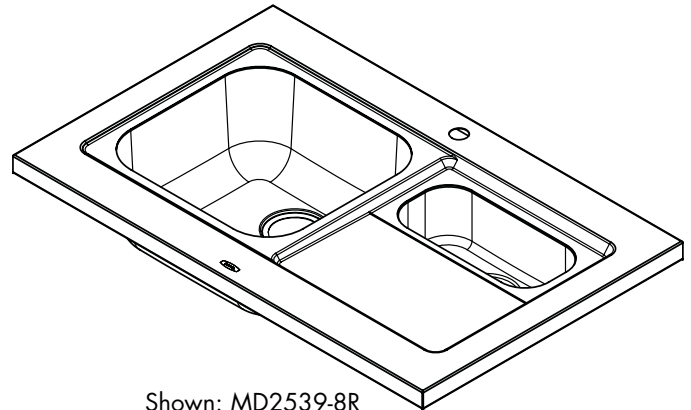
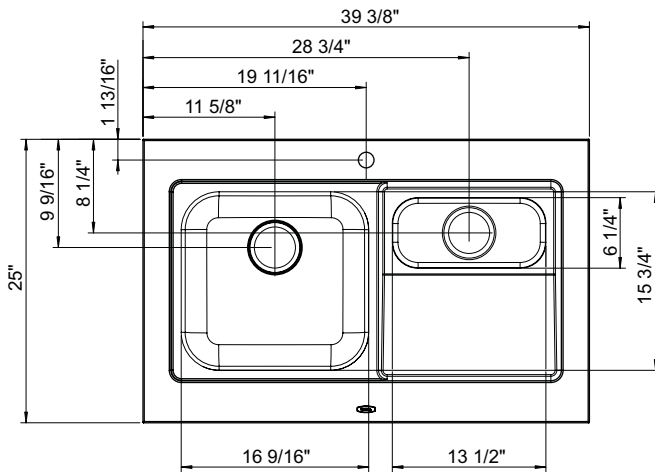
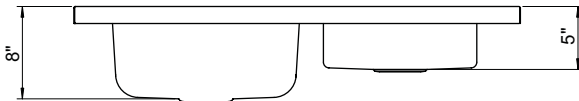


- 18 gauge 18/10 stainless steel
- High performance sound deadening material
- Brushed finish
- Limited lifetime owner warranty
- Includes one strainer basket and drain kit (3 1/2")
-  Accessories included (see below)



Shown: MD2539-8R

MODEL NO.	OVERALL SIZE (LxWxD)	MAIN BOWL SIZE (LxWxD)	SECOND BOWL SIZE (LxWxD)	HANDED	FAUCET HOLES	MINIMUM CABINET WIDTH REQUIRED	CUTOUT DIMENSION
MD2539-8R	25" x 39 3/8" x 8"	15 3/4" x 16 9/16" x 8"	6 1/4" x 13 1/2" x 5"	Yes	1	42"	N/A
MD2539-8L	25" x 39 3/8" x 8"	15 3/4" x 16 9/16" x 8"	6 1/4" x 13 1/2" x 5"	Yes	1	42"	N/A



-  Accessories are included:

KA28M Stainless Steel Strainer Bowl



KA03M Toughened Glass Countertop Saver



KA61M Stainless Steel Sink Grid



OPTIONAL ACCESSORY

KA38M Stainless Steel Dish Draining Basket



www.lifeluxurymarvel.com

Marvel Industries

P.O. Box 997
Richmond, IN
47375-0997

800.428.6644
765.962.2493 fax

An AGA Company

Job Name: _____ Customer: _____

Date: _____ Designer: _____

Quantity: _____ Contractor: _____