
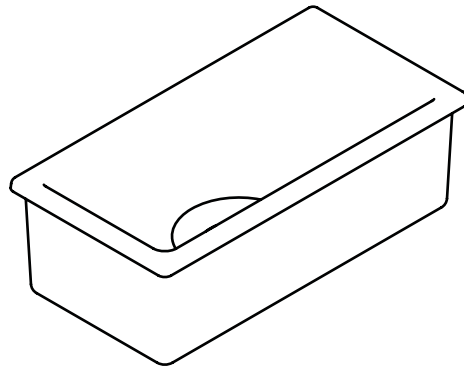


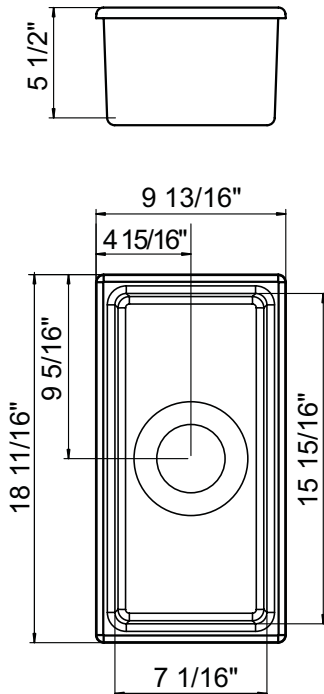
- Self-rimming or undermount
- Durable ceramic
- Gloss finish
- Limited lifetime owner warranty
- Includes strainer basket and drain kit (3 1/2")

-  Accessories included

KA68M Stainless Steel Sink Grid



MODEL NO.	OVERALL SIZE (L×W×D)	MAIN BOWL SIZE (L×W×D)	SECOND BOWL SIZE (L×W×D)	HANDED	FAUCET HOLES	MINIMUM CABINET WIDTH REQUIRED	CUTOUT DIMENSION
RS1019-5	18 11/16" × 9 13/16" × 5 1/2"	15 15/16" × 7 1/16" × 5 1/2"	N/A	N/A	N/A	24"	Template supplied with sink



www.lifeluxurymarvel.com

Marvel Industries

P.O. Box 997
Richmond, IN
47375-0997

800.428.6644
765.962.2493 fax

An AGA Company

06-0251-21 Rev.A

Job Name: _____ Customer: _____

Date: _____ Designer: _____

Quantity: _____ Contractor: _____