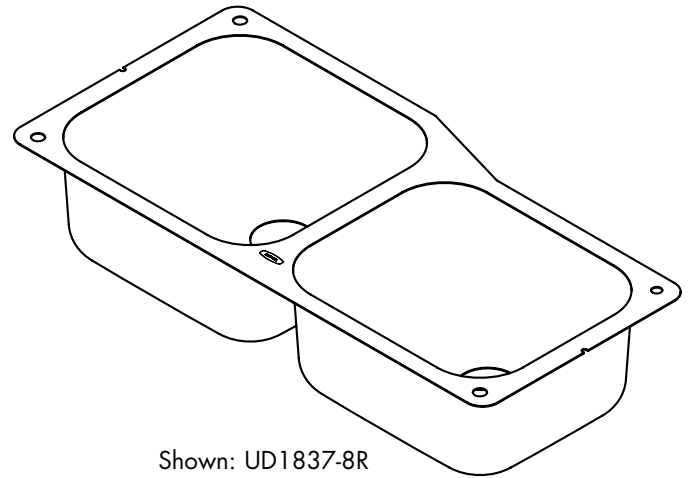


- 18 gauge 18/10 stainless steel
- Undermount
- High performance sound deadening material
- Limited lifetime owner warranty
- Includes one strainer basket and drain kit (3 1/2")
- *Optional Accessories:*  
KA61M (main bowl)  
Stainless Steel Sink Grid

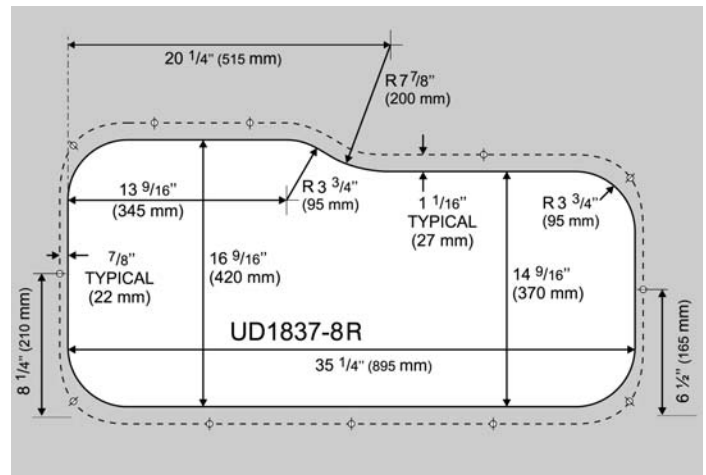
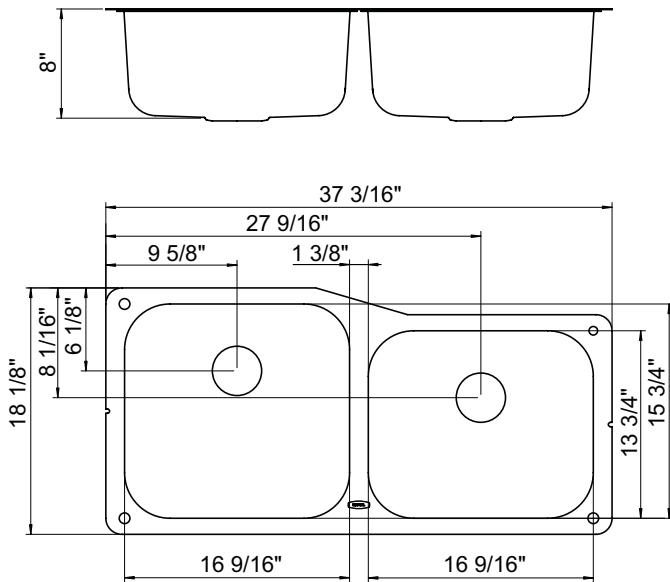


KA08M Universal Wooden Chopping Board



Shown: UD1837-8R

MODEL NO.	OVERALL SIZE (LxWxD)	MAIN BOWL SIZE (LxWxD)	SECOND BOWL SIZE (LxWxD)	HANDED	FAUCET HOLES	MINIMUM CABINET WIDTH REQUIRED	CUTOUT DIMENSION
US1837-8R	18 1/8" x 37 3/16" x 8"	15 3/4" x 16 9/16" x 8"	13 3/4" x 16 9/16" x 8"	Yes	N/A	42"	Refer to template
US1837-8L	18 1/8" x 37 3/16" x 8"	15 3/4" x 16 9/16" x 8"	13 3/4" x 16 9/16" x 8"	Yes	N/A	42"	Mirror image of US1837-8R



[www.lifeluxurymarvel.com](http://www.lifeluxurymarvel.com)

**Marvel Industries**

P.O. Box 997  
Richmond, IN  
47375-0997

800.428.6644  
765.962.2493 fax

An AGA Company

Job Name: \_\_\_\_\_ Customer: \_\_\_\_\_

Date: \_\_\_\_\_ Designer: \_\_\_\_\_

Quantity: \_\_\_\_\_ Contractor: \_\_\_\_\_