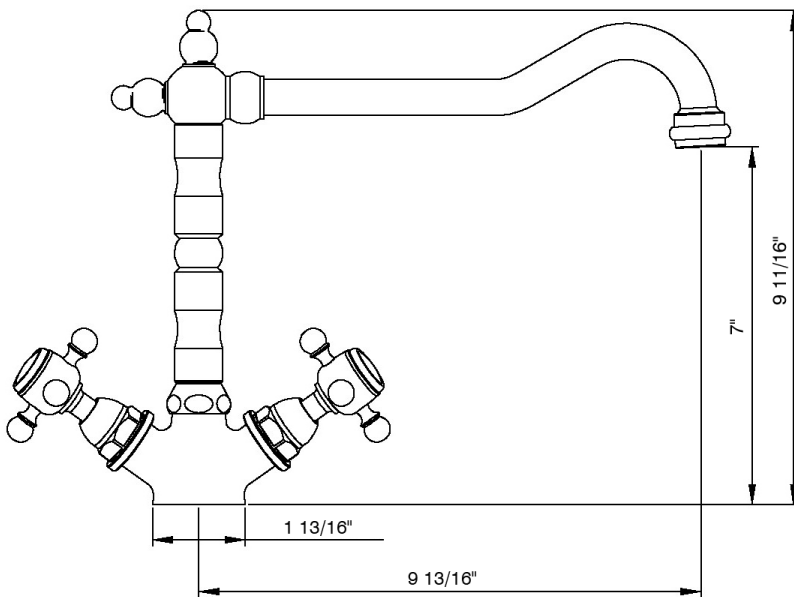


- Complement to Marvel sinks
- Elegant style
- Chrome or brushed finish
- Limited lifetime owner warranty
- Meets ASME 112.18.1-2005 and NSF standard 61.9



MODEL NO.	FINISH	MIN/MAX OPERATING PRESSURE (PSI)	MAX HOT WATER TEMPERATURE	FAUCET HOLE REQUIRED	MAXIMUM CABINET THICKNESS
TAV2CMM	Chrome	4.5/75.0	158°F	1 3/8" dia	1 3/4"
TAV2BFM	Brushed	4.5/75.0	158°F	1 3/8" dia	1 3/4"



All specifications and product design subject to change without notice.



www.lifeluxurymarvel.com

Marvel Industries

P.O. Box 997
Richmond, IN
47375-0997
800.428.6644
765.962.2493 fax
An AGA Company

Job Name: _____ Customer: _____

Date: _____ Designer: _____

Quantity: _____ Contractor: _____