
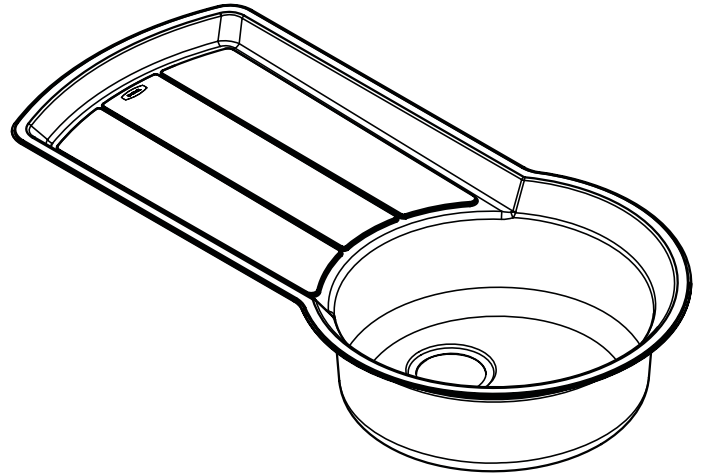
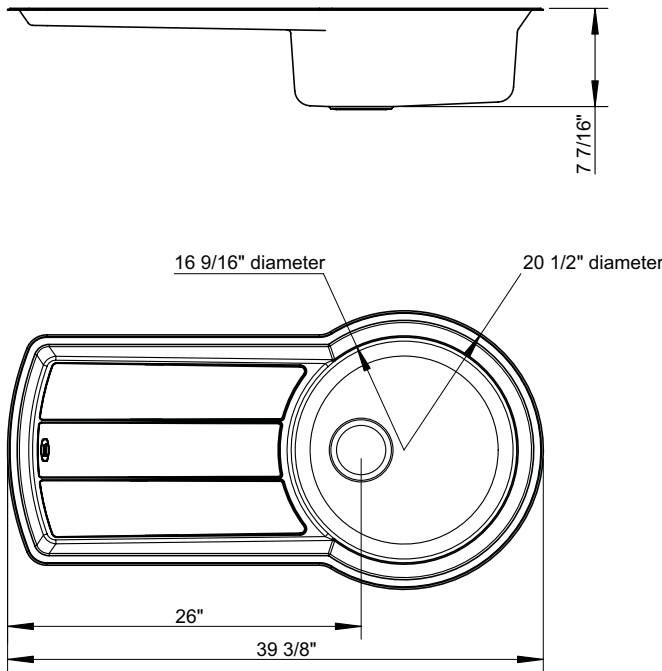


- 18 gauge 18/10 stainless steel
- High performance sound deadening material
- Brushed finish
- Integrated drain board
- Limited lifetime owner warranty
- Includes strainer basket and drain kit (3 1/2")
-  Accessories included (see below)



MODEL NO.	OVERALL SIZE (LxWxD)	MAIN BOWL SIZE (LxWxD)	SECOND BOWL SIZE (LxWxD)	HANDED	FAUCET HOLES	MINIMUM CABINET WIDTH REQUIRED	CUTOUT DIMENSION
KS2039-7	20 1/2" x 39 3/8" x 7 7/16"	16 9/16" diameter	N/A	Reversible	N/A	21"	Template supplied with sink



-  Accessories are included:

KA49M Beech Chopping Board



KA47M Stainless Steel Trivet



www.lifeluxurymarvel.com

Marvel Industries

P.O. Box 997
Richmond, IN
47375-0997
800.428.6644
765.962.2493 fax
An AGA Company

Job Name: _____ Customer: _____

Date: _____ Designer: _____

Quantity: _____ Contractor: _____