

- 18 gauge 18/10 stainless steel
- Undermount
- High performance sound deadening material
- Limited lifetime owner warranty
- Includes one strainer basket and drain kit (3 1/2")

Optional Accessories:

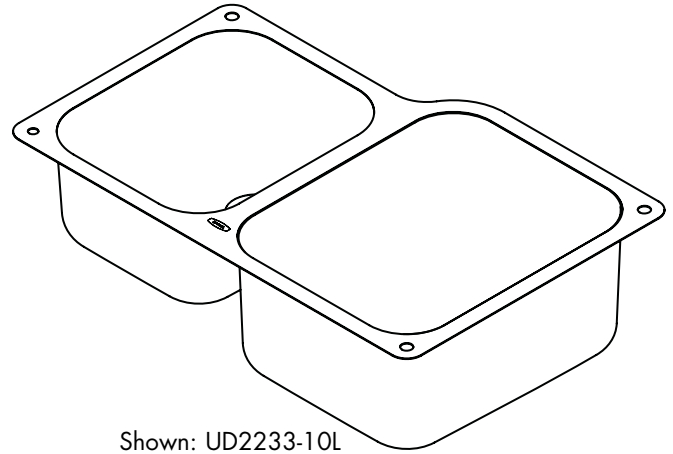
KA62M (main bowl)
Stainless Steel Sink Grid



KA60M (second bowl)
Stainless Steel Sink Grid

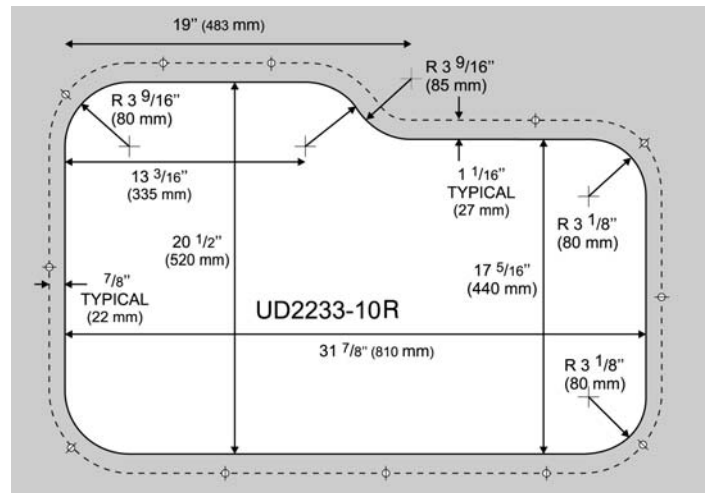
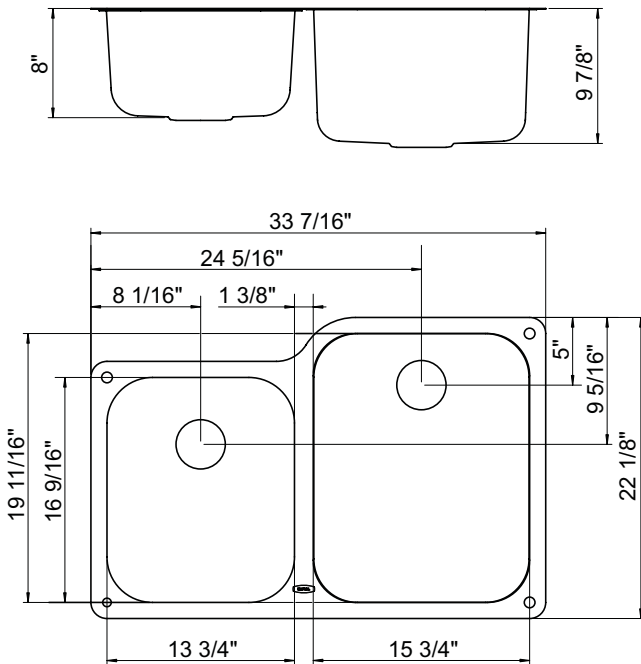


KA08M Universal Wooden Chopping Board



Shown: UD2233-10L

MODEL NO.	OVERALL SIZE (LxWxD)	MAIN BOWL SIZE (LxWxD)	SECOND BOWL SIZE (LxWxD)	HANDED	FAUCET HOLES	MINIMUM CABINET WIDTH REQUIRED	CUTOUT DIMENSION
UD2233-10R	22 1/8" x 33 7/16" x 9 7/8"	19 11/16" x 15 3/4" x 9 7/8"	16 9/16" x 13 3/4" x 8"	Yes	N/A	42"	Refer to template
UD2233-10L	22 1/8" x 33 7/16" x 9 7/8"	19 11/16" x 15 3/4" x 9 7/8"	16 9/16" x 13 3/4" x 8"	Yes	N/A	42"	Mirror image of UD2233-10R



www.lifeluxurymarvel.com

Marvel Industries

P.O. Box 997
Richmond, IN
47375-0997
800.428.6644
765.962.2493 fax
An AGA Company

Job Name: _____ Customer: _____

Date: _____ Designer: _____

Quantity: _____ Contractor: _____