

- 18 gauge 18/10 stainless steel
- Undermount
- High performance sound deadening material
- Limited lifetime owner warranty
- Includes strainer basket and drain kit (3 1/2")

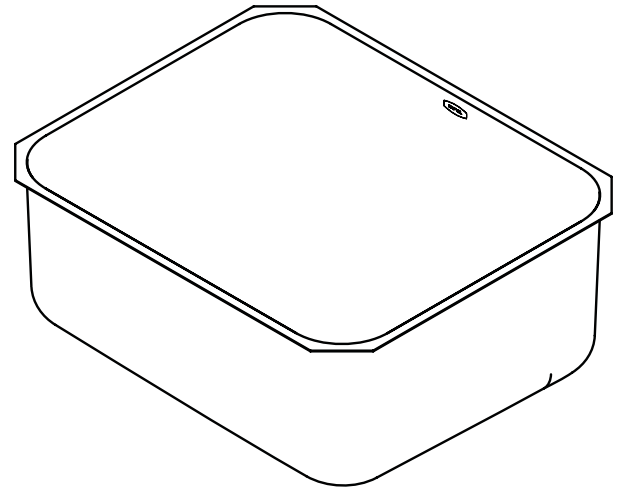
**Optional Accessories:**

KA64M (Model US2125-10R)  
Stainless Steel Sink Grid

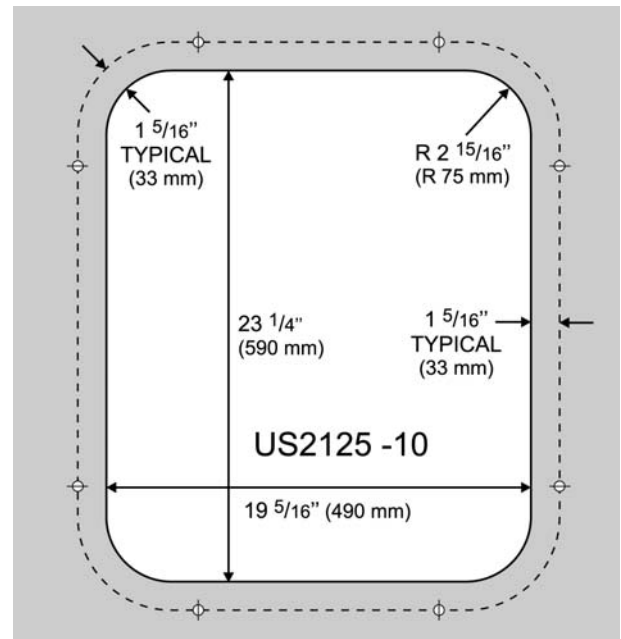
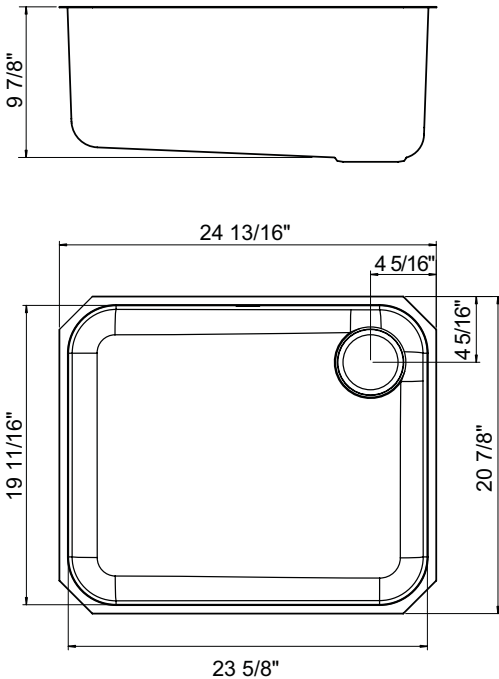
KA65M (Model US2125-10L)  
Stainless Steel Sink Grid



KA08M Universal Wooden Chopping Board



MODEL NO.	OVERALL SIZE (LxWxD)	MAIN BOWL SIZE (LxWxD)	SECOND BOWL SIZE (LxWxD)	HANDED	FAUCET HOLES	MINIMUM CABINET WIDTH REQUIRED	CUTOUT DIMENSION
US2125-10R	20 7/8" x 24 13/16" x 9 7/8"	19 11/16" x 23 5/8" x 9 7/8"	N/A	Yes	N/A	24"	Refer to template
US2125-10L	20 7/8" x 24 13/16" x 9 7/8"	19 11/16" x 23 5/8" x 9 7/8"	N/A	Yes	N/A	24"	Refer to template



[www.lifeluxurymarvel.com](http://www.lifeluxurymarvel.com)

**Marvel Industries**

P.O. Box 997  
Richmond, IN  
47375-0997  
800.428.6644  
765.962.2493 fax  
An AGA Company

Job Name: \_\_\_\_\_ Customer: \_\_\_\_\_

Date: \_\_\_\_\_ Designer: \_\_\_\_\_

Quantity: \_\_\_\_\_ Contractor: \_\_\_\_\_