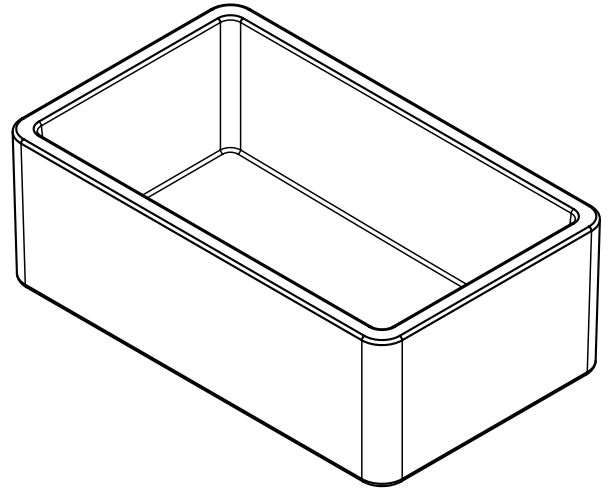
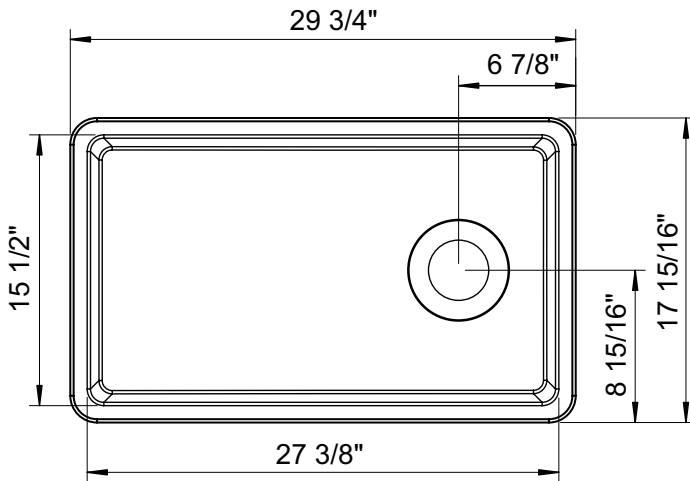


- Traditional farmhouse styling
- Apron front
- Durable ceramic
- Gloss finish
- Limited lifetime owner warranty
- Includes strainer basket and drain kit (3 1/2")



MODEL NO.	OVERALL SIZE (LxWxD)	MAIN BOWL SIZE (LxWxD)	SECOND BOWL SIZE (LxWxD)	HANDED	FAUCET HOLES	MINIMUM CABINET WIDTH REQUIRED	CUTOUT DIMENSION
FS1830-10	17 15/16" x 29 3/4" x 10"	15 1/2" x 27 3/8" x 10"	N/A	Yes	N/A	24"	N/A



[www.lifeluxurymarvel.com](http://www.lifeluxurymarvel.com)

**Marvel Industries**

P.O. Box 997  
Richmond, IN  
47375-0997  
800.428.6644  
765.962.2493 fax  
An AGA Company

Job Name: \_\_\_\_\_ Customer: \_\_\_\_\_

Date: \_\_\_\_\_ Designer: \_\_\_\_\_

Quantity: \_\_\_\_\_ Contractor: \_\_\_\_\_