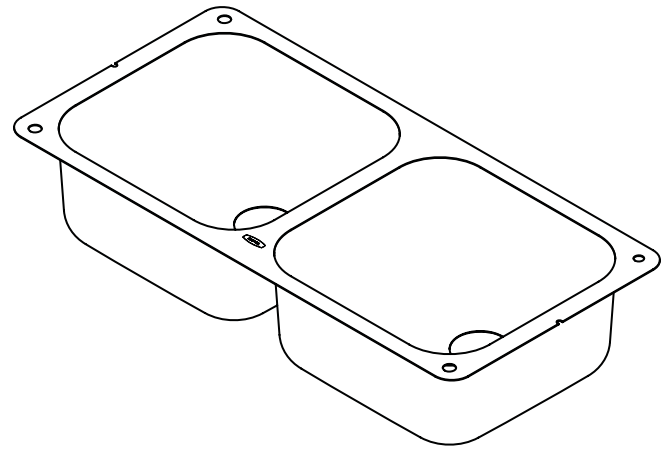


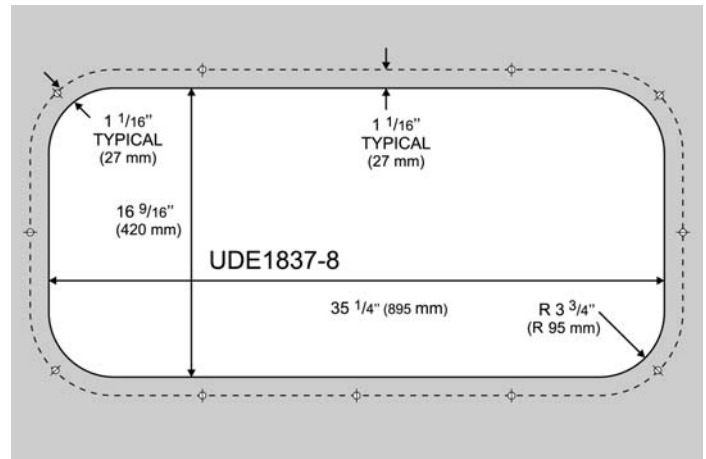
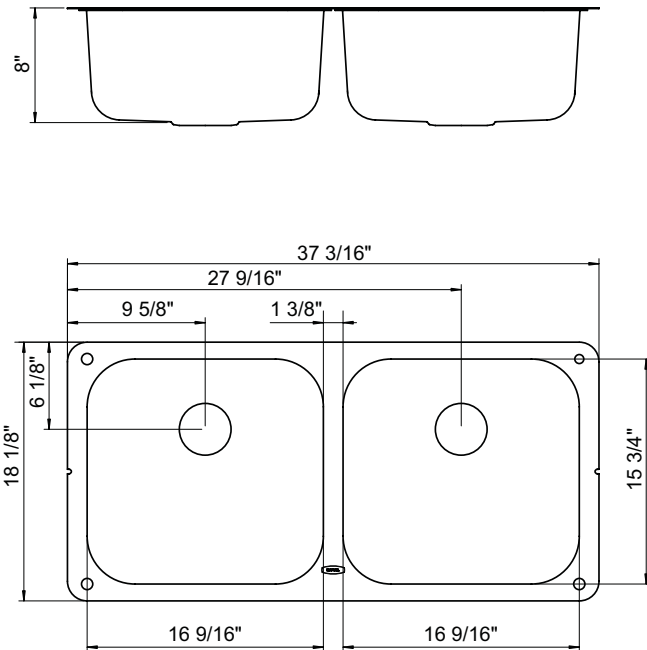
- 18 gauge 18/10 stainless steel
- Undermount
- High performance sound deadening material
- Limited lifetime owner warranty
- Includes one strainer basket and drain kit (3 1/2")
- *Optional Accessories:*  
KA61M Stainless Steel Sink Grid



KA08M Universal Wooden Chopping Board



MODEL NO.	OVERALL SIZE (LxWxD)	MAIN BOWL SIZE (LxWxD)	SECOND BOWL SIZE (LxWxD)	HANDED	FAUCET HOLES	MINIMUM CABINET WIDTH REQUIRED	CUTOUT DIMENSION
UDE1837-8	18 1/8" x 37 3/16" x 8"	15 3/4" x 16 9/16" x 8"	15 3/4" x 16 9/16" x 8"	N/A	N/A	42"	Refer to template



[www.lifeluxurymarvel.com](http://www.lifeluxurymarvel.com)

**Marvel Industries**

P.O. Box 997  
 Richmond, IN  
 47375-0997  
 800.428.6644  
 765.962.2493 fax  
 An AGA Company

Job Name: \_\_\_\_\_ Customer: \_\_\_\_\_

Date: \_\_\_\_\_ Designer: \_\_\_\_\_

Quantity: \_\_\_\_\_ Contractor: \_\_\_\_\_