

CARE AND USE MANUAL

For Thermador Professional®
PRO-HARMONY™ Gas Ranges

Models/
Modèles /
Modelos:
PRG30
PRL30
PRG36
PRL36

GUIDE D'UTILISATION ET D'ENTRETIEN

For Thermador Professional®
PRO-HARMONY™ Gas Ranges

MANUAL DE USO Y CUIDADO

For Thermador Professional®
PRO-HARMONY™ Gas Ranges

Table of Contents

About this Manual	1	Using the Oven	19
How this Manual Is Organized	1	Bake	19
Introduction	1	Convection	21
Safety	2	Setting Bake/Convection Bake/ Extended Bake	22
IMPORTANT SAFETY INSTRUCTIONS . . .	2	Other Uses of Bake	23
Before You Begin	6	Baking Recommendations	24
Before Using Your Range for the First Time	6	Broil	25
Description	7	Setting Broil	25
Model and Parts Identification — 36" Range	7	Broiling and Roasting Recommendations	26
Model and Parts Identification — 30" Range	8	Care and Maintenance . . .	27
Using the Cooktop	9	Range Cleaning	27
Cookware Recommendations	13	Cleaning Recommendations	27
Specialty Cookware	14	Do-It-Yourself Maintenance	32
Cooking Recommendations	15	Before Calling For Service	33
Surface Burner Cooking Recommendations	15	STATEMENT OF LIMITED PRODUCT WARRANTY	34
About the Electric Griddle	17		
Griddle Cooking Recommendations	19		

This Thermador Appliance is made by
BSH Home Appliances Corporation
5551 McFadden Ave.
Huntington Beach, CA 92649

Questions?

1-800-735-4328

www.thermador.com

We look forward to hearing from you!

About this Manual

How this Manual Is Organized

This manual contains several sections:

- The “*Safety*” section describes important safety precautions. Please read this section before using your new appliance.
- “*Using the Cooktop*” and “*Using the Oven*” sections describe how to operate the appliance and how to ensure a long life for your appliance.

- The “*Care and Maintenance*” section describes how to clean and maintain your appliance.
- The “*Before Calling For Service*” section includes troubleshooting tips and your Warranty.

Before using your appliance, be sure to read this manual. Pay special attention to the **Important Safety Instructions** located at the beginning of the manual.

Introduction



WARNING:

If the information in this manual is not followed exactly, a fire or explosion may result causing property damage, personal injury or death.

- Do not store or use gasoline or other flammable vapors and liquids in the vicinity of this or any other appliance.
- **WHAT TO DO IF YOU SMELL GAS**
 - Do not try to light any appliance.
 - Do not touch any electrical switch.
 - Do not use any phone in your building.
 - Immediately call your gas supplier from a neighbor’s phone. Follow the gas supplier’s instructions.
 - If you cannot reach your gas supplier, call the fire department.
- Installation and service must be performed by a qualified installer, service agency or the gas supplier.

The Thermador Professional® Ranges are free-standing units available in a number of configurations. All models feature a gas cooking surface with a professional size, gas convection oven with broil capability.

Gas Type Verification

Verify the type of gas supplied to the location. Ensure that the appliance is connected to the type of gas for which it is certified. Models come from the factory certified for use with natural gas or with propane (LP) gas. Make certain your range and gas type are the same. Refer to the product rating label which can be located as indicated on page 33.



CAUTION:

When connecting the unit to propane gas, make certain the propane gas tank is equipped with its own high-pressure regulator in addition to the pressure regulator supplied with the range. **The maximum gas pressure to this appliance must not exceed 14.0 inches water column (34.9 mb) from the propane gas tank to the pressure regulator.**

Important:

All ranges must be installed with a backguard. The 30" model comes with a Low Back and the 36" models come with a Flush Island Trim. Other available backguards must be ordered separately and installed at the back of the range. The three backguard choices include a Low Back, Pot and Pan Shelf, or Flush Island Trim. Before using the range, insure that it is equipped with a proper backguard. **DO NOT** attempt to use a backguard that is not designed to fit your particular model range. Refer to the Installation Instructions accompanying this appliance for more information.

This manual contains important Care and Use information for all Thermador Professional® Ranges. When using this manual, it is critical that you know the model number of your range, as some information will be unique to each range. The model number may be found on the rating plate

located on the range as identified on page 33 of this manual. The charts on the following pages summarize the various range models and identify the features of each range.

Safety



IMPORTANT SAFETY INSTRUCTIONS

READ AND SAVE THESE INSTRUCTIONS

Gas and Electrical Requirements and Grounding Instructions

PLEASE READ CAREFULLY

30" Gas Model:

120 volts, 60 Hz., 10 Amp electrical circuit required.

36" Gas Models:

120 volts, 60 Hz., 10 Amp electrical circuit required. 36" gas range with electric griddle - 20 Amp circuit required.



WARNING:

ALWAYS DISCONNECT THE ELECTRICAL PLUG FROM THE WALL RECEPTACLE BEFORE SERVICING THIS UNIT

It is recommended that a dedicated circuit servicing this appliance be provided.

The use of gas cooking appliances results in the production of heat and moisture.



CAUTION:

FOR PERSONAL SAFETY, THIS APPLIANCE MUST BE CONNECTED TO A PROPERLY GROUNDED AND POLARIZED ELECTRICAL POWER SUPPLY.



WARNING:

To avoid possible burn or fire hazard, a backguard designed specifically for this range must be installed whenever the range is used.

See Installation Instructions for electrical requirements and grounding instructions.

It is the personal responsibility and obligation of you, the user, to have this appliance connected to the electrical power supply in accordance with the National Electrical Code and/or applicable local codes and ordinances by a qualified electrician.




CAUTION — ALL MODELS:

IN CASE OF AN ELECTRICAL FAILURE

If for any reason a gas control knob is turned **ON** and there is no electrical power to operate the electronic igniters on the range's cooktop burners, turn **OFF** the gas control knob and wait 5 minutes for the gas to dissipate before lighting the burner manually.

To light the burners manually, carefully hold a lighted match to the burner ports and turn the

gas control knob to . During a power failure, you can use the standard cooktop burners, but each must be lit with a match.

DO NOT attempt to light the two left burners manually. These burners are equipped with the ExtraLow® feature and cannot be lit manually.

TESTED IN ACCORDANCE WITH:

- ANSI Z21.1 for Household Gas Appliances
- UL858 for Household Electric Ranges
- CAN/CSA-22.2 No. 61-M89 for Household Cooking Ranges
- CAN/CGA 1.1-M81 Domestic Gas Ranges

Check your local building codes for the proper method of installation. In the absence of local codes, this unit should be installed in accordance with the National Fuel Gas Code No. Z223.1 current issue and the National Electrical Code ANSI/NFPA No. 70 current issue or the Can - B149

Installation Codes for Gas Burning Appliances and C22.1 Canadian Electrical Code Part 1.

It is the responsibility of the owner and the installer to determine if additional requirements and/or standards apply to specific installations.

Safety Practices to Avoid Personal Injury

When properly cared for, your new Thermador Professional® Range has been designed to be a safe, reliable appliance. However, use extreme care when using this restaurant caliber range as this type of appliance provides intense heat. When using kitchen appliances, basic safety precautions must be followed, including the following:

Read this Care and Use Manual carefully before using your new range to reduce the risk of fire, electrical shock, or injury to persons.

Insure proper installation and servicing. Follow the installation instructions provided with this product. Have the range installed and electrically grounded by a qualified technician.

Have the installer show you where the gas supply shut-off valve is located so that you know how and where to turn off the gas to the range.

Do not repair or replace any part of the appliance unless specifically recommended in this manual. All other servicing should be referred to a qualified technician.

Children should not be left alone or unattended in an area where appliances are in use. They should never be allowed to sit or stand on any part of the appliance. If children are allowed to use the appliance, they must be closely supervised.



CAUTION:

Do not store items of interest to children above or at the back of the range. If children should climb onto the appliance to reach these items, they could be seriously injured.

When children become old enough to operate the appliance, it is the legal responsibility of the parents or legal guardians to ensure that they are instructed in safe practices by qualified persons.

Never use any part of the range or oven for storage. Flammable materials can catch fire and plastic items may melt or ignite.

Do not hang articles from any part of the appliance or place anything against the oven. Some fabrics are quite flammable and may catch on fire.

If the range is near a window, be certain the curtains do not blow over or near the range burners; they could catch on fire.

Have an appropriate fire extinguisher available, nearby, highly visible and easily accessible near the appliance. **DO NOT USE WATER ON GREASE FIRES.**

Turn appliance off and smother fire with baking soda or use a dry chemical or foam-type extinguisher.

Never let clothing, potholders, or other flammable materials come in contact with or too close to any infrared burner, top burner or burner grate until it has cooled. Fabric may ignite and result in personal injury.

Use only dry potholders: moist or damp potholders on hot surfaces may cause burns from steam. Do not use a towel or other bulky cloth in place of potholders. Do not let potholders touch hot infrared burners, hot burners, or burner grates.

For personal safety, wear proper apparel. Loose fitting garments or hanging sleeves should never be worn while using this appliance. Some synthetic fabrics are highly flammable and should not be worn while cooking.

Do not use aluminum foil to line any part of the oven or range. Use of a foil liner could result in a shock or fire hazard, or the obstruction of the flow of combustion and ventilation air. Foil is an excellent heat insulator and heat will be trapped beneath it. This will upset the cooking performance and can damage the finish of the oven or the range.



WARNING:

NEVER cover any slots, holes or passages in the oven bottom or cover an entire rack with materials such as aluminum foil. Doing so blocks air flow through the oven and may cause carbon monoxide poisoning. Aluminum foil linings may also trap heat, causing a fire hazard.



WARNING — RANGE TIPPING HAZARD:

- All ranges can tip and injury can result. To prevent accidental tipping of the range, attach it to the floor, wall or cabinet by installing the Anti-Tip Device supplied.
- A risk of tip-over may exist if the appliance is not installed in accordance with these instructions.
- If the range is pulled away from the wall for cleaning, service or any other reason, ensure that the Anti-Tip Device is properly reengaged when the range is pushed back against the wall. In the event of abnormal usage (such as a person standing, sitting, or leaning on an open door), failure to take this precaution can result in tipping of the range. Personal injury might result from spilled hot liquids or from the range itself.

Safety Precautions



WARNING:

The appliance is for cooking. Based on safety considerations, never use the oven or cooktop to warm or heat a room. Also, such use can damage the cooktop or oven parts.



WARNING:

NEVER use this appliance as a space heater to heat or warm the room. Doing so may result in carbon monoxide poisoning and overheating of the oven.

When using the cooktop: **DO NOT TOUCH THE BURNER GRATES OR THE IMMEDIATE SURROUNDING AREA.** Areas adjacent to the burners may become hot enough to cause burns.

Never leave the range unattended when using high flame settings. Boil overs cause smoking and greasy spillovers that may ignite. More importantly, if the burner flames are smothered, unburned gas will escape into the room. See Inside Front Cover regarding gas leaks.

Only certain types of glass, heatproof glass-ceramic, ceramic, earthenware, or other glazed utensils are suitable for cooking on the range burners. This type of utensil may break with sudden temperature changes. Use only on low or medium heat settings according to the utensil manufacturer's directions.

Do not heat unopened food containers; a buildup of pressure may cause the container to burst.

During cooking, set the burner control so that the flame heats only the bottom of the pan and does not extend beyond the bottom of the pan.

Avoid using high flame setting with a pan larger than the grate or with one that spans more than one burner, such as a griddle, for prolonged periods of time. This can result in poor combustion that generates harmful by-products.

Use caution to insure that drafts like those from forced air vents or fans do not blow flammable material toward the flames or push the flames so that they extend beyond the edges of the pot.

Always use utensils that have flat bottoms large enough to cover the burner. The use of undersized utensils could expose a portion of the flame and may result in ignition of clothing.

Bakeware, such as large casserole pans, cookie sheets, etc., should never be used on the cooktop.

Do not use flammable cleaners to clean the range.

To minimize the risk of burns, ignition of flammable materials and unintentional spillage, position handles of utensils inward so they do not extend over adjacent work areas, cooking areas, or the edge of the range's cooktop.

Hold the handle of the pan to prevent movement of the utensil when stirring or turning food.

DO NOT use pots or pans on the grill plate accessory.

Do not use the grill plate accessory for cooking excessively fatty meats or products which promote flare-ups.

The optional **cutting board accessory must be removed** before operating the griddle beneath it or burners adjacent to it.

GREASE IS FLAMMABLE. Let hot grease cool before attempting to handle it. Avoid letting grease deposits collect. Clean after each use.

For proper lighting and performance of the burners, keep the igniter ports clean. It is necessary to clean these when there is a boil over or when the burner does not light even though the electronic igniters activate. See "Cleaning Recommendations" on page 27.



WARNING:

After a spill or boil over, turn off the burner and clean around the burner and burner ports. After cleaning, check for proper operation.

Clean the range with caution. Avoid steam burns; do not use a wet sponge or cloth to clean the range while it is hot.

Some cleaners produce noxious fumes if applied to a hot surface. Follow directions provided by the cleaner manufacturer.

Be sure all cooktop controls are turned off and the cooktop is cool before using any type of aerosol cleaner on or around the cooktop. The chemical that produces the spraying action could, in the presence of heat, ignite or cause metal parts to corrode.

When using the oven: **DO NOT TOUCH THE INFRARED BURNER, THE INTERIOR SURFACES OF THE OVEN OR THE EXTERIOR AREA IMMEDIATELY SURROUNDING THE DOOR.** Interior oven surfaces become hot enough to cause burns. The heat deflector, which deflects heat away from the cooktop and the trim on the top and sides of the oven door, will also be hot when the oven is in use.

Place oven racks in desired position while oven is cool. If a rack must be moved while the oven is hot, do not let the potholders contact the infrared burner.

Use care when opening the oven door; let hot air or steam escape before removing or replacing foods.

Do not clean, rub, damage, move or remove the door gasket. It is essential for a good seal during baking. If the gasket becomes worn or excessively soiled with food particles, replace gasket to assure a tight seal.

DO NOT obstruct the flow of combustion or ventilation air.

For safety reasons and to avoid equipment damage, never sit, stand, or lean on the oven door.

Service should only be done by authorized technicians. Technicians must disconnect the power supply before servicing this unit.

Listen to be sure the cooling blower runs whenever the oven controls are set in broil or bake modes. If the fan does

not operate, do not use the oven. Call an authorized service center for service.

To avoid a fire hazard, grease accumulation must be prevented by frequently cleaning the ventilation hood and filters.

In case of fire or when intentionally “flaming” liquor or other spirits on the range’s cooktop, follow hood manufacturer’s instructions.

Use caution when cooking foods with high alcohol content (e.g. rum, brandy, bourbon) in the oven. Alcohol evaporates at high temperatures. There is a risk of burning as the alcohol vapors may catch fire in the oven. Use only small quantities of alcohol in foods, and open the oven door carefully.



WARNING:

To avoid possible burn or fire hazard, a backguard designed specifically for this range must be installed whenever the range is used.

Important Safety Notice: The California Safe Drinking Water and Toxic Enforcement Act requires the Governor of California to publish a list of substances known to the state to cause cancer, birth defects or other reproductive harm, and requires businesses to warn customers of potential exposure to such substances.

The burning of gas cooking fuel can generate some by-products which are on the list. To minimize exposure to these substances, always operate this unit according to the instructions contained in this booklet and provide good ventilation.

Do not store or use corrosive chemicals, vapors, flammables or nonfood products in or near this appliance. It is specifically designed for use when heating or cooking food. The use of corrosive chemicals while heating or cleaning will damage the appliance and could result in injury.

Before using your range for the first time, check that you have these items:

Table 1: Range Accessories and Parts

DESCRIPTION	30" 4 Burner	36" with Griddle	36" 6-Burner
Oven Racks	3	3	3
Two-Piece Broil Pan	1	1	1
Star Burner Caps	4	4	6
Center Grate	1		
Burner Grates	2	2	3

* Backguard must be ordered and shipped separately. It is not included with the range.

Table 1: Range Accessories and Parts

DESCRIPTION	30" 4 Burner	36" with Griddle	36" 6-Burner
Control Knobs	5	6	7
Coated Aluminum Griddle		1	
Product Registration Card	1	1	1
Backguard	1	*	*
Installation Instructions	1	1	1
Use and Care Manual	1	1	1

* Backguard must be ordered and shipped separately. It is not included with the range.

Before You Begin

Before Using Your Range for the First Time

Remove all packaging materials and temporary labels from oven and cooktop.

1. Check that you have the items listed in Table 1.
2. **Record the Model and Serial number on page 34. See "Data Rating Plate."** These may be used for any future contacts with Customer Service. Enter this information on the Product Registration Card included with this product then mail it to the indicated address.
3. **Optional Accessories.** Grill Plate, Gas Black Knob Kit, Chopping Board, Griddle Cover, Wok Support Ring and other accessories are available from your Thermador Dealer.
4. **Position the racks correctly in the oven.** The correct rack position depends on the recipe and the cooking mode. The rack positions are numbered from the bottom of the oven, like an elevator. Rack position 3 is the most frequently used position. Place rack(s) in the proper position before turning on the oven.

Insert the racks as follows:

- a) Hold the rack with the back rail in the up position towards the rear of the oven. Slip it into the oven so the rack slides are between the rack and the rack guides.
- b) Tip the front of the rack up slightly as it slides into the oven so that the safety stops clear the rack slides. The safety stops on the back of the rack will keep it from sliding out of the oven when it is pulled forward.

5. **Ensure that the burner caps are correctly seated on the burner bases of the range's cooktop.** Turn on each burner to check for proper flame color. See page 12 for details.

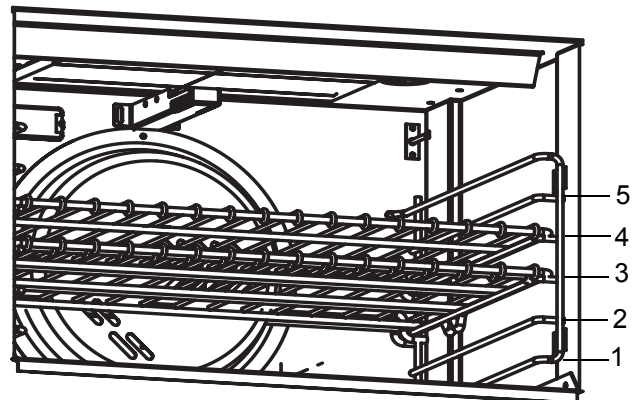


Figure 1: Oven Rack Positions



CAUTION:

Aluminum foil should never be used to cover the oven racks or to line the oven. Do not remove the infrared burner in the gas oven.

Before baking or broiling, the oven and broiler should be turned on to burn off the manufacturing oils. Turn the oven on to 450°F (230°C) for 20 to 30 minutes; then turn the broiler to "**BROIL**" for same length of time. You may wish to turn on the ventilator above your range during this time. Please note that it is normal for small amounts of smoke to be visible from the range, during this initial breaking-in process.

Please read "Care and Maintenance" on page 27 before cleaning the oven racks.

Description

Model and Parts Identification — 36" Range

Key for 36" Models

1. 22" Pot-and-Pan Shelf, 9" Low Back or Flush Island Trim (Pot-and-Pan Shelf and Low Back ordered separately)
2. Burner Grates & Burners
3. Control Knobs, ExtraLow® Burners (2)
4. Control Knobs, Standard Burners (4)
5. Oven Temperature Selector
6. Oven Mode Selector
7. Oven Door
8. Viewing Window
9. Kick Panel
10. Range Feet (4)

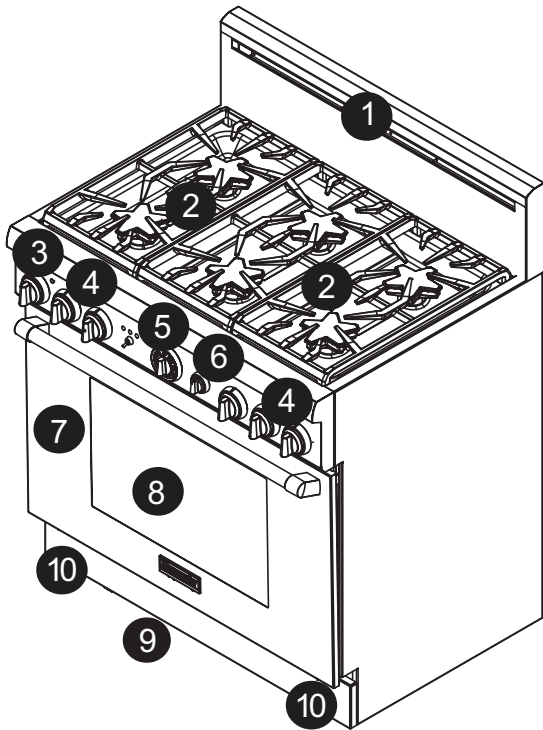


Figure 2: 36" Models



WARNING:

To provide proper ventilation, do NOT remove range feet.

- 11) Oven Interior Light
- 12) Broil Burner
- 13) Oven Thermostat Sensor
- 14) Rack Guides
- 15) Gliding Oven Racks (3 included)
- 16) Bake Burner (hidden)
- 17) Convection Fan Cover
- 18) Broil Glow Igniter

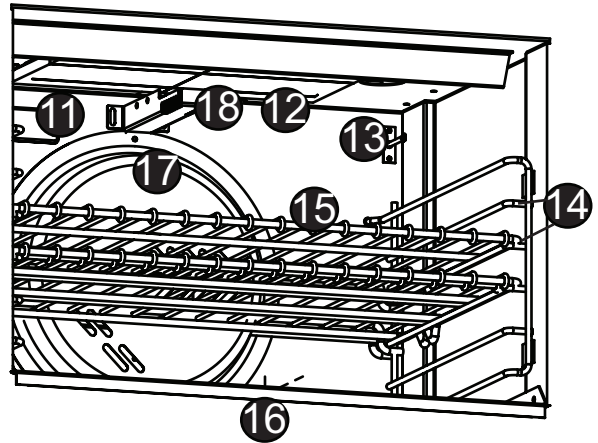


Figure 3: Gas Oven Interior

Model and Parts Identification

— 30" Range

Key for 30" Model

1. 6" Low Back - shown (Island Trim and Pot-and-Pan Shelf ordered separately)
2. Burner Grates & Burners
3. Center Grate
4. Control Knob, ExtraLow[®] Burners (2)
5. Control Knobs, Standard Burners (2)
6. Oven Temperature Selector
7. Oven Mode Selector
8. Oven Door
9. Viewing Window
10. Kick Panel
11. Range Feet (4)

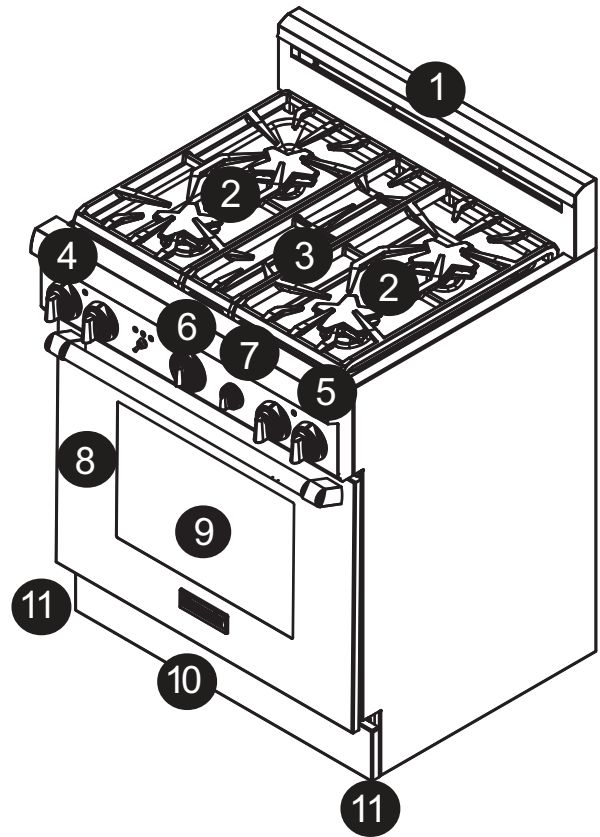


Figure 4: 30" Model



WARNING:

To provide proper ventilation, do NOT remove range feet.

Gas Oven Interior

Please see Figure 3.

Using the Cooktop

Sealed Star® Burners

Your new range has sealed Star® burners. There are no burner parts under the cooktop to clean, disassemble or adjust. The cooktop features four or six gas surface burners; each rated at 18,000 BTU/HR (15,000 BTU/HR using Propane). The burners are mounted on top of unique-shaped pedestals. This makes the burner assemblies accessible for easy cleaning. On all models, the two left burners have the exclusive ExtraLow feature, the remaining burners are standard. Each burner has its own control knob.

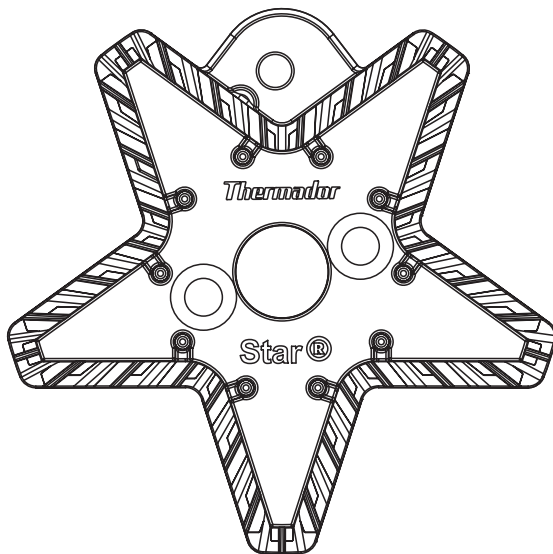


Figure 5: Sealed Star® Brass Burner Base

Control Knobs

The control knobs for two sealed gas burners, one in front and one in the rear, are located directly in front of and below the pair of burners on the control panel.

The symbol above each control knob identifies either the burner position on the cooktop or the griddle control, depending upon your model.

LEFT REAR
Burner:



LEFT FRONT
Burner:



CENTER REAR
Burner:



CENTER FRONT
Burner:



RIGHT REAR
Burner:



RIGHT FRONT
Burner:



GRIDDLE:



Setting Indicator

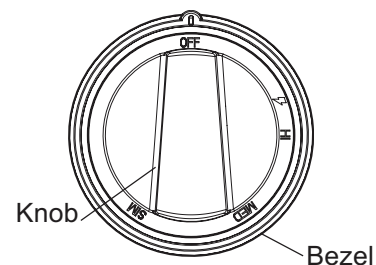



Figure 6: Standard Burner Control Knob

Operation of the Burners

- Press in on the knob and turn it counter-clockwise to the  setting on the knob.
- The igniter for the selected sealed burner clicks and sparks.
- After burner ignition, the igniter stops clicking.
- Rotate the knob to any flame setting between **HI** and **SIM**.
- The blue signal light, between the burner knobs, will light when adjacent burners are lit. The light will remain on until the adjacent burners are turned off.

BTU for Standard Burners

- **HI** is equivalent to 15,000 BTU / HR (13,000 BTU/HR using Propane).
- **SIM** is equivalent to 2,100 BTU / HR.

BTU for ExtraLow® Burner

- **HI** is equivalent to 15,000 BTU / HR (13,000 BTU / HR using Propane).
- **SIM** is equivalent to 3,000 BTU / HR.
- **XLO** is equivalent to 370 BTU / HR. ExtraLow® Burners

The controls for the two left burners, front and rear, have flame settings even lower than the standard **SIM** settings.

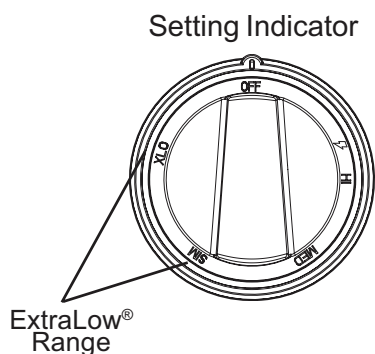


Figure 7: ExtraLow® Burner Control Knob

The drawing shows that the control knob has an additional range between the **SIM** and **XLO** settings. When the knob is set within this range, the flame cycles off and on. By varying the length of time the flame is off and on, the heat is reduced even further to cook delicate foods. For example, these very low settings are suitable for simmering and poaching, melting chocolate and butter, holding cooked foods at temperatures without scorching or burning, etc.

Operation of the ExtraLow Burners

- **XLO**, the very lowest setting, is achieved by cycling the flame **ON** for approximately 8 seconds and **OFF** for 52 seconds of each minute.
- When the knob is set just below the **SIM** setting, the flame will cycle **ON** for approximately 52 seconds and **OFF** for 8 seconds of each minute.
- To vary the amount of low heat to suit the food and quantity, the control can be set anywhere within the **SIM** and **XLO** range marked on the knob.

ExtraLow Techniques

- The type and quantity of food affects which setting to use.
- The pan selected affects the setting. Its size, type, material, and whether a lid is used, all affect the consistency of the cooking temperature.
- To maintain a low or simmer heat, bring food to a rolling boil. Stir well, then cover the pan and lower the heat to a setting just below **SIM**.
- Check periodically to see if the control knob should be turned to another setting.
- If an over-size pan is used, the simmer action may occur mainly in the center of the pan. To equalize the temperature throughout the food, stir the food around the outer edges of the pan into the food in the center.
- It is normal to stir food occasionally while simmering. This is especially important when simmering for several hours, such as for a homemade spaghetti sauce or beans.
- When lowering the flame setting, adjust it in small steps.
- If the setting is too low to hold a simmer, bring the food back to a boil before re-setting to a higher heat.
- It is normal not to see simmer bubbles immediately after the food has been stirred.
- There may be bubbling when the flame cycles **ON** and no bubbles when the flame is **OFF**. Even when the flame is **OFF**, there will be steam and a slight quiver on the liquid's surface.

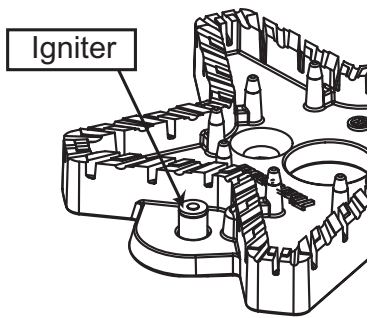


Figure 8: Igniter

Each burner has its own electronic igniter that sparks when the burner is turned on. Each burner should light in 4 seconds or less. If a burner does not light, check to see that the cap is positioned correctly on the base.



CAUTION:

Do not touch the burners when the igniters are sparking.

If a burner fails to ignite, refer to the section “Before Calling For Service” on page 33.

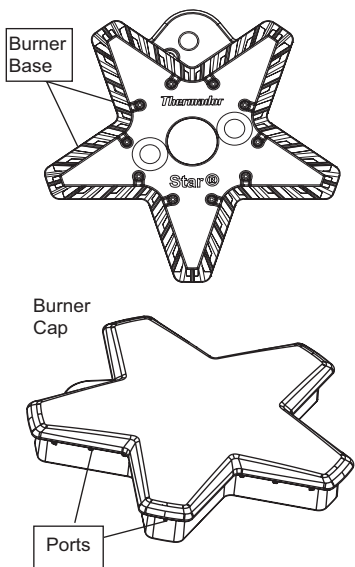


Figure 9: Star® Burner Components

Burner Cap Placement

The burner caps must be properly placed on the burner bases for the cooktop to function properly. If the burner cap is not properly placed, one or more of the following problems may occur.

- Burner flames are too high.
- Flames shoot out of burners.
- Burners do not ignite.
- Burner flames light unevenly.
- Burner emits gas odor.



WARNING:

To prevent flare-ups and avoid the creation of harmful by-products, do not use the cooktop without all burner caps and all burner grates properly positioned.



WARNING:

To prevent burns, do not touch burner caps or grates while hot. Turn the cooktop off and allow the burners to cool.

Checking Burner Cap Placement

- Check each burner to make sure there is no gap between the burner cap and burner base. *See Figures 10 and 11: Correct and Incorrect Burner Cap Placement to see examples of correct and incorrect placements of the burner cap.*
- You may gently try to move the burner caps from side to side to check if the caps are properly placed on the burner bases. When properly placed, each burner cap will rest flat on top of its burner base, and completely cover the star-shape of the burner base when viewed from the top as shown in *Figure 10: Correct Burner Cap Placement.*

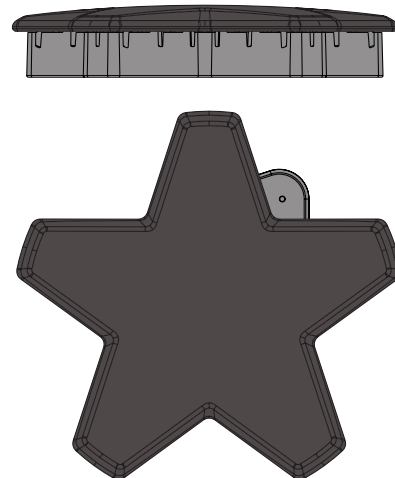


Figure 10 : Correct Burner Cap Placement

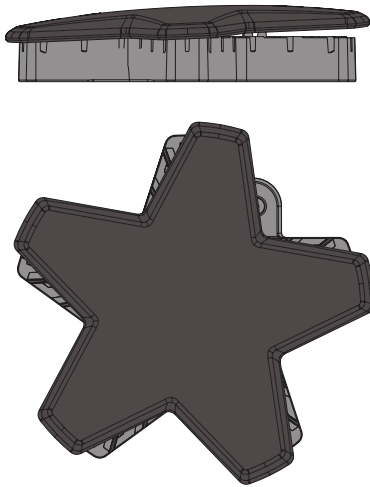


Figure 11 : Incorrect Burner Cap Placement


Automatic Re-Ignition

If any one or more burners blow out, the electronic igniter automatically activates to re-light the flame. **Do not touch the burners when the igniters are active.**

Important:

- For proper combustion do not use the cooktop without the burner grates in place.
- There is a slight sound associated with gas combustion and ignition. This is a normal condition.
- On cooktops using propane gas (LP), a slight “pop” sound may be heard at the burner ports a few seconds after the burner has been turned off.

Power Failure

- In the event of a power failure, only the standard burners can be manually lit. It is necessary to light each one individually.
- If the cooktop is being used when the power failure occurs, turn **all** knobs to the **OFF** position.
- The standard burners can be lit by holding a match at the ports and turning the control knob to the  position. Wait until the flame is burning all around the burner cap before adjusting the flame to the desired height.
- The ExtraLow burners cannot be used during a power failure. **Be sure to turn them off.**
- If an ExtraLow burner is on when a power failure occurs, it cannot be turned back on until the knob is first turned off.
- The griddle cannot be used during a power failure.

- If you smell gas, refer to safety precautions listed inside the front cover.



WARNING:

In the event of a power failure, all knobs are to be turned to the **OFF** Position. Only the standard burners can be lit manually.

Flame Height

- The correct flame height depends on 1) size and material of pan being used; 2) food being cooked; and 3) amount of liquid in the pan.
- Never extend the flame beyond the base of the pan.
- Use a low or medium flame for pan materials that conduct the heat slowly, such as porcelain coated steel or glass-ceramic.

Flame Description

- The burner flame color should be blue with no yellow on the tips. It is not uncommon to see orange in the flame color; this indicates the burning of airborne impurities in the gas and will disappear with use.

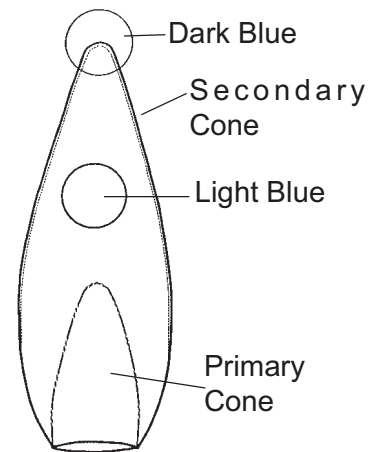


Figure 12: Flame Color

- With propane (LP) gas, slight yellow tips on the primary cone are normal.
- The flame should burn completely around the burner cap. If it doesn't, check that the cap is positioned correctly on the base and that the ports are not blocked.
- The flame should be stable with no excessive noise or fluttering.



WARNING:

The burning of gas cooking fuel can create small amounts of Carbon Monoxide, Benzene, Formaldehyde and Soot. To minimize exposure to these substances, the burners should be adjusted by a certified installer or agency to ensure proper combustion. Ensure proper ventilation with an open window or use a ventilation fan or hood when cooking with Gas. Always operate the unit according to the instructions in this manual.

Cookware Recommendations



WARNING:

To avoid risk of serious injury, damage to appliance or cookware, please observe the following:

- Bakeware, such as large casserole pans, cookie sheets, etc. should never be used on the cooktop.
- Placement of large stock pots should be staggered when used on the cooktop.

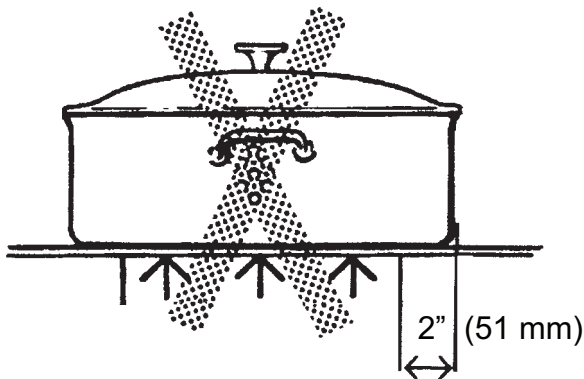


Figure 13: Base Diameter

- Select the base diameter to match the diameter of the flame. The diameter of the flame should be the same size as the pan base or slightly smaller. Oversize or under size pans sacrifice cooking performance. A 5-1/2" (140 mm) base size is generally the smallest recommended.



Figure 14: Balanced Pan

- Balance is important for stability and even cooking. The handle must not be heavier than the pan and tilt it unevenly. A pan must sit level on the grate without rocking or wobbling.
- Food packaged in aluminum foil should not be placed directly on the burner grate. Aluminum foil can melt during cooking.
- Do not let plastic, paper or cloth come in contact with a hot burner grate. They may melt or catch fire.
- Never let a pan boil dry. This can damage your pan and the cooking surface.
- Professional quality pans with metal handles are recommended because plastic handles can melt or blister if the flame extends up the side of the pan. Professional quality pans are found at restaurant supply stores and gourmet specialty shops. All cookware should have these characteristics: good heat conductivity, good balance, correctly sized base diameter, a heavy, flat base, and a proper fitting lid.
- For best cooking results, the flame should be contained under the bottom of the pan.
- Aluminum and copper are pan materials that conduct the heat quickly and evenly. These metals are sometimes attached to the base or in the core between stainless steel.

Specialty Cookware

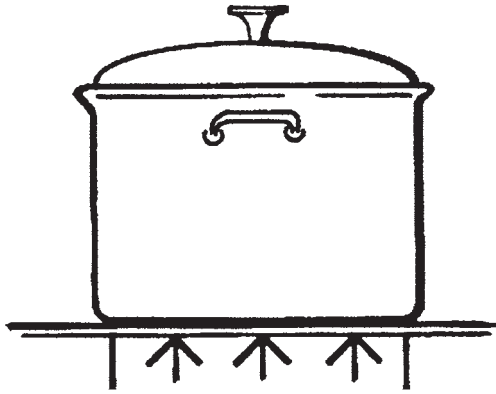


Figure 15: Flat Base Pan

- A heavy, flat base is more apt to remain flat when heated. Pan bases that are warped, dented, ridged or too lightweight will heat unevenly. Heat and cool pans gradually to avoid sudden temperature changes which tend to distort cookware. Do not add cold water to a hot pan.

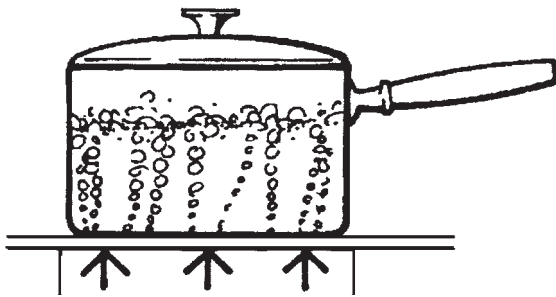


Figure 16: Covered Pan

- A properly fitting lid will shorten cooking time and make it possible to use lower heat settings.

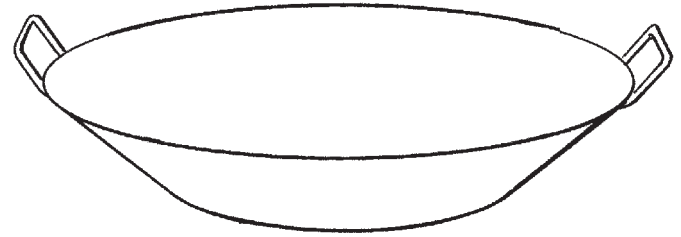


Figure 17: Flat-Bottom Wok Pan

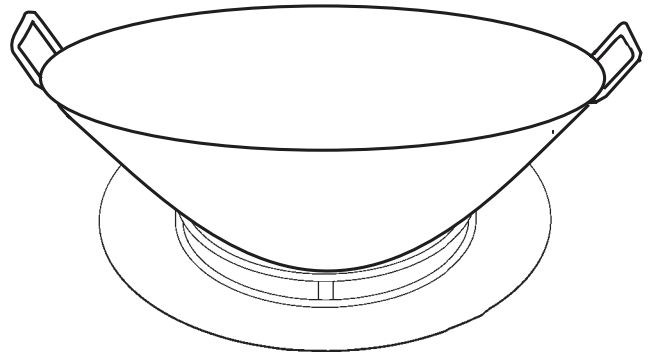


Figure 18: Round-Bottom Wok In Support Ring

- **Woks** — Either flat based or round bottom woks with the accessory ring can be used on models without a built-in wok burner. Round bottom woks must be used with a support ring. The porcelain-coated cast iron wok support ring must be purchased separately.
- **Canners and Stock Pots** — Select one with a base diameter that extends no more than 2 inches (51mm) beyond the grate.

Standard Size Water Bath Canner

21 to 22 quarts (19.95 to 20.9 liters), with an 11 to 12 inch base (279 to 305 mm) and a 9 to 11 inch depth (229 to 279 mm).

Standard Size Pressure Canner

8 to 22 quarts (7.6 to 20.9 liters), with an 8 to 11 inch base (203 to 279 mm) and a 6-1/2" to 12 inch depth (165 to 305 mm).

Canning Tips:

- A flat base pan is preferred to one with a concave, convex or rippled base.
- When using two canners at the same time, use staggered burners. Do not block air to the burners. A flame needs the right amount of air for complete combustion.
- Use a cover on a canner when bringing the contents to a boil.
- Once the contents have reached a boil on **HI**, use the lowest flame possible to maintain the boil or pressure.
- Canning produces a large amount of steam. Take precautions to prevent burns.

Cooking Recommendations

Suggestions For Using the Recommendations

Use the chart on page 15 to page 17 as a guide. The settings you use will vary depending on the pans selected and the starting temperature of the food.

On the chart, the “Finish Setting” has been separated for the standard and ExtraLow burners. There may or may not be a change between the two burner settings.

The ExtraLow setting can be either a cooking or a holding setting.

Raise or lower the flame setting gradually. Allow time for the pan and the food to adjust to the new setting.

Surface Burner Cooking Recommendations

Food	Start Setting	Finish Setting Standard Burners	Finish Setting ExtraLow (XLO) Burners
BEVERAGES Cocoa	MED – heat milk	SIM – finish heating	XLO – keep warm, cover*
BREADS French Toast, Pancakes, Grilled Sandwiches	MED – preheat skillet	SIM to MED – cook	Same as for Standard Burners
BUTTER Melting	SIM - to start melting		Allow 5 to 10 minutes to melt
CEREALS Cornmeal, Grits, Oatmeal	HI – cover, bring water to a boil, add cereal	SIM to MED – finish cooking according to package directions	Same as for Standard Burners XLO – to hold, cover*
CHOCOLATE Melting	XLO - may be stirred to hasten melting		XLO – allow 10 to 15 minutes to melt XLO – to hold*
DESSERTS Candy	SIM to MED – cook following recipe	SIM to MED	Same as for Standard Burners
Pudding and Pie Filling Mix	SIM to MED SIM - cook according to package directions	SIM	Same as for Standard Burners
Pudding	SIM to MED SIM – bring milk to a boil	SIM	Same as for Standard Burners

* It is recommended that these foods be stirred occasionally.

Food	Start Setting	Finish Setting Standard Burners	Finish Setting ExtraLow (XLO) Burners
EGGS Cooked in Shell	MED HI – cover eggs with water, add lid, bring to boil		XLO – cook 3 to 4 minutes for soft cooked; or 15 to 20 minutes for hard cooked
Fried, Scrambled	SIM to MED – melt butter, add eggs	SIM - finish cooking	Same as for Standard Burners XLO – to hold for a short period*
Poached	HI – bring water to the boiling point, add eggs	SIM to MED – finish cooking	Same as for Standard Burners
MEAT, FISH, POULTRY Bacon, Sausage Patties	MED HI – until meat starts to sizzle	SIM to MED – finish cooking	Same as for Standard Burners
Braising: Swiss Steak, Pot Roast, Stew Meat	MED HI – melt fat, then brown on MED HI , add liquid, cover		XLO – Simmer until tender
Quick Frying: Breakfast Steaks	MED HI – preheat skillet	MED HI – fry quickly	Same as for Standard Burners
Frying: Chicken	MED HI – heat oil, then brown on MED	SIM – cover, finish cooking	Same as for Standard Burners
Deep Frying: Shrimp	MED HI – heat oil	MED to MED HI – to maintain temperature	Same as for Standard Burners
Pan Frying: Lamb Chops, Thin Steaks, Hamburgers, Link Sausage	MED HI – preheat skillet	MED – brown meat	Same as for Standard Burners XLO – to hold
Poaching: Chicken, whole or pieces, Fish	MED HI – Cover, bring liquids to a boil		To finish cooking
Simmering: Stewed Chicken, Corned Beef, Tongue, etc.	HI – cover, bring liquid to a boil		XLO – to simmer slowly XLO – to hold, cover*
PASTAS Macaroni, Noodles, Spaghetti	HI – bring water to a boil, add pasta	MED to MED HI – to maintain a rolling boil	Same as for Standard Burners
POPCORN (use a heavy, flat bottom pan)	HI – cover, heat until kernels start to pop	MED HI – finish popping	Same as for Standard Burners
PRESSURE COOKER Meat	MED HI to HI – build up pressure	SIM to MED – maintain pressure	Same as for Standard Burners
Vegetables	HI – build up pressure	SIM to MED – maintain pressure	Same as for Standard Burners
RICE	HI – cover, bring water and rice to a boil.	SIM to maintain Low Boil Cover and cook until water is absorbed.	Same as for Standard Burners XLO – to hold, cover
SAUCES Tomato Base	MED HI – cook meat/vegetables, follow recipe	SIM to maintain simmer	XLO – simmer to thicken sauce, uncovered

* It is recommended that these foods be stirred occasionally.

Food	Start Setting	Finish Setting Standard Burners	Finish Setting ExtraLow (XLO) Burners
White, Cream, Bernaise	MED – melt fat, follow recipe	SIM – finish cooking	XLO – to hold, cover*
Hollandaise	XLO		XLO – to hold, lowest setting for short period, stir frequently
SOUPS, STOCK	HI – cover, bring liquid to a boil	SIM to maintain simmer	Simmer XLO – to hold, cover*
VEGETABLES Fresh	HI – cover, bring water and vegetables to a boil	SIM to MED – cook 10 minutes, or until tender	Same as for Standard Burners XLO – to hold, cover
Frozen	HI – cover, bring water and vegetables to a boil	SIM to MED – cook according to package directions	Same as for Standard Burners
Deep Frying	HI – heat oil	MED to MED HI – maintain frying temperature	Same as for Standard Burners
In Pouch	HI – bring water and pouch to a boil	SIM to MED – cook according to package directions	Same as for Standard Burners
Saute	MED HI – heat oil or melt butter, add vegetables	SIM to MED – cook to desired doneness	Same as for Standard Burners
Stir Fry	HI – heat oil, add vegetables	MED to MED HI – finish cooking	Same as for Standard Burners

* It is recommended that these foods be stirred occasionally.

About the Electric Griddle

Description

(Available on some models)

The built-in griddle is made of restaurant-quality aluminum that is coated with a non-stick coating. This produces a surface with even heat that is easy to clean. A maple chopping block, stainless steel cover, and coated-aluminum grill plate are available as accessories and are purchased separately. The maple chopping block and stainless steel cover are sized to fit on top of the surface when the griddle is not being used. The coated-aluminum grill plate accessory is designed to replace the griddle plate. See the instructions that come with the grill plate accessory for more details.

The maple chopping block and stainless steel cover **must be removed** before turning the griddle on.

- The electric griddle element is rated 120 volts AC, 1,600 watts.



CAUTION

The griddle element is hot after use. Allow sufficient time for griddle components to cool before cleaning.

Control Knob

- The griddle is electronically controlled with temperatures marked on the knob from 150°F to 500°F.
- There are no fixed settings on the knob.
- Press and turn the knob clockwise to the temperature setting.

Griddle

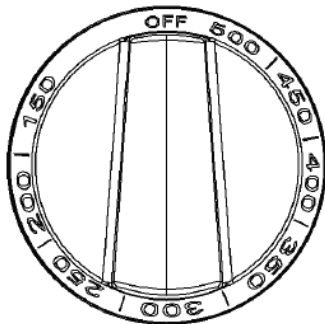


Figure 19: Griddle Control Knob

Preparing the Griddle

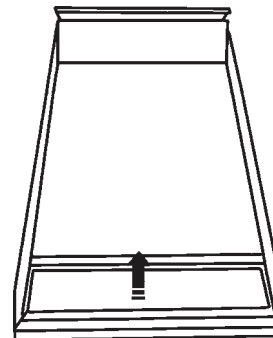
The griddle must be tilted slightly forward for optimum performance. See Installation Manual for procedure to check and adjust griddle for proper tilt of griddle plate. During installation, the installer is responsible for leveling the product. The griddle plate should be washed with warm soapy water then rinsed with clear water prior to use. The griddle may be used without any butter, margarine or oil. However, a very small amount may be used to flavor foods.

Any utensil may be used on the griddle surface.

Care should be taken that the surface is not gouged when utensils are used.

Griddle Grease Tray

- Push the tray under the front edge of the griddle overhang to catch grease or food residue.
- Clean the tray after every use. When removing the tray, use care when tipping it so that the contents do not spill (see illustration).
- After cooling, pour the grease into a grease resistant container for disposal.



To remove tray,
slide back and lift

Figure 20: Griddle Grease Tray

Cooking on the Griddle

1. Check that the grease tray is tucked under the griddle plate overhang.
2. Turn the knob to the cooking temperature to preheat the griddle.
3. Preheat 10 to 12 minutes.
4. Add butter, margarine, oil or shortening if desired.

NOTICE:

Griddle / Grill performance may vary if there is an excessive amount of airflow in the vicinity of the appliance. The excessive airflow could be from an air-conditioning register or ceiling fan blowing at the cooktop. This could create longer than normal heat-up time or it could cause the Griddle / Grill temperature to be higher or lower than the knob setting.

Note:

Having a properly installed ventilation hood is not considered a source of excessive airflow.

Griddle Cooking Recommendations

FOOD	SETTING
Eggs	325°F to 350°F (160°C to 180°C)
Bacon, Breakfast Sausage	375°F to 400°F (190°C to 200°C)
Toasted Sandwiches	350°F to 375°F (180°C to 190°C)
Boneless Chicken Breasts	375°F to 400°F (190°C to 200°C)
Boneless Pork Chops, 1" thick	375°F to 400°F (190°C to 200°C)

FOOD	SETTING
Steaks, 1" thick	400°F to 425°F (200°C to 220°C)
Ground Beef Patties (6 ounces)	375°F to 400°F (190°C to 200°C)
Hot Dogs	350°F to 375°F (180°C to 190°C)
Ham Slices, 1/2" thick	350°F to 375°F (180°C to 190°C)
Pancakes, French Toast	375°F to 400°F (190°C to 200°C)
Potatoes, Hash Browns	375°F to 400°F (190°C to 200°C)

Using the Oven

Bake

Tips for Bake

Preheating the Oven

Preheat the oven before cooking any foods, except large pieces of meat or poultry. See your recipe for preheating recommendation. Preheating time depends on the temperature setting and the number of racks in the oven.

Getting the Best Results

- Minimize opening the door:
 - Use a minute timer.
 - Use the interior oven light.
- Choose the right size utensil; use the utensil recommended in the recipe.
- Store the broiler pans outside the oven. An extra pan without food, affects the browning and cooking.
- The type of pan used affects the browning:
 - For tender, golden brown crusts, use light non-stick/anodized or shiny metal utensils.
 - For brown crisp crusts, use dark non-stick/anodized or dark, dull metal utensils or glass bakeware. These may require lowering the bake temperature 25°F.

Bakeware Type

- Metal bakeware (with or without a non-stick finish), heat-proof glass, glass-ceramic, pottery, or other utensils are suitable for the oven.
- Suitable cookie sheets have a small lip on one side only. Heavy sheets or those with more than one side may affect the baking time.

Gliding Oven Racks

Your Thermador range includes three extendable, gliding racks that can be pulled out and pushed back into the oven with minimum effort - even while supporting a large turkey or roast.

- Placing racks in oven:** To insert racks into the oven, hold the rack with the back rail up toward the back. Place the safety hooks under the front of the rail guides. Push the rack into the oven, lifting the rack stops over the front of the rail guides. Slide the rack into position.
- Removing racks from oven:** To remove racks or reposition racks in the oven, pull the rack toward the front of the oven. Lift up the front of the rack over the safety stops and pull from the oven.
- Place oven racks in desired positions before turning on the oven.

- When placing food on a rack, pull the rack out to the stop position. The racks are designed to lock and not tilt when pulled forward.

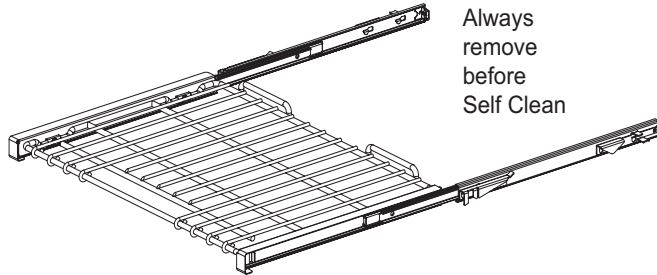
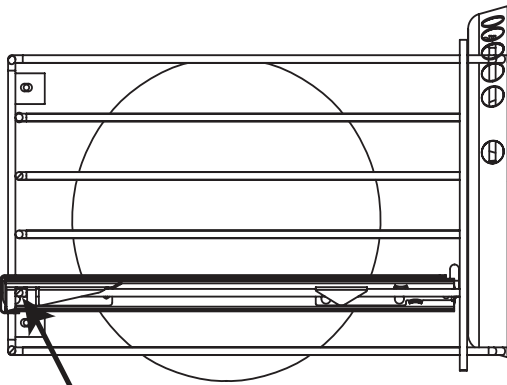


Figure 21: Gliding Oven Rack



Important: When placing the gliding rack in the oven, make sure the front supports on the rack guides rest in the large slots at the front corners of the rack. This is necessary to keep the rack locked into position while fully inserted into the oven.

Figure 22: Rack Installation Detail

Bake Rack Positions

- Rack level positions in the oven are numbered like an elevator. Number one level is the lowest and number five level is at the top.

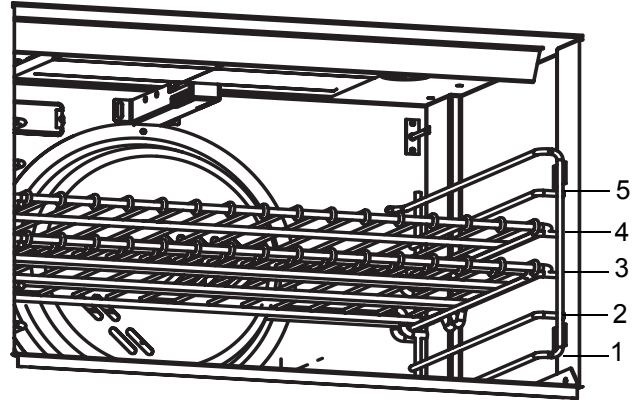


Figure 23: Oven Rack Positions

Rack Positions

One Rack Baking

- The Bake mode is best for baking on one rack with rack level #3 used for most baked items. If the item is tall, such as an angel food cake, rack level #2 may be used. Pies are best baked on rack level #2 to make certain the bottom of the crust is done without over browning the top. When large pieces of meat or poultry are roasted, such as a prime rib of beef or a turkey, rack level #2 is the preferred rack.

Two Rack Baking

- Rack levels #2 and #4 or #5 may be used when baking on two levels. Foods such as cookies and biscuits work well using these two racks. Casserole dishes may also be baked using these two levels.

Three Rack Baking

- If three-rack baking is desired, the Convection Bake mode should be used.

Bakeware Placement

- Allow at least 1" of space between the pans and the oven walls so heat can circulate around each pan.
- Stagger baking utensils so that one is not directly above another. Allow 1-1/2" above and below each pan.

Convection

Cooking with Convection

There are many advantages to cooking with convection. In the convection system, a fan in the back of the oven moves heated air evenly around the oven. The moving air provides even heat so foods can be placed on any rack level with consistent results. Multiple racks of foods can be cooked or large quantities of foods can be cooked at the same time. Foods will cook thoroughly without having to rotate pans.

Low, shallow bakeware should be used with convection cooking. This allows the heated air to circulate around the food. Pans with high sides or pans that are covered are not suitable for convection cooking because high sides or lids prohibit the warm air from circulating around the food.

Your favorite pans and cookware can be used for convection cooking provided they have low sides to allow the heated air to circulate around the food. Any food cooked uncovered will brown evenly and form a nice crust. Foods in covered dishes (casseroles, pot roast) or delicate custards do not benefit from convection cooking.

Convection Baking

Time can be saved by baking an entire batch of cookies at the same time. The cookies will bake evenly and be done all at once. The baking time may be shorter due to the warm circulating air. For small items such as cookies, check to see if they are done one to two minutes before the recipe time. For larger baked items such as cakes, check five to six minutes before the time indicated on the recipe.

Convection cooking of meat and poultry will result in foods that are brown and crispy on the outside and moist and juicy on the inside. Large meat or poultry items may cook up to 30 minutes less than the suggested time so check them so they will not be over baked. A meat thermometer or an instant read thermometer will provide more accurate results than the "minute per pound" method. The larger the piece of meat or poultry, the more time you will save.

Converting Conventional Baking to Convection Baking

To convert most recipes for baked items (cookies, cakes, pies, etc.); reduce the oven temperature by 25°F. For meats and poultry, the temperature should not be reduced. The same temperature recommended in recipes and cooking charts for meats and poultry should be used.

Tips for Convection Bake

Preheating the Oven

Preheat the oven before cooking. See your recipe for preheating recommendation. Preheating time depends on the temperature setting and the number of racks in the oven.

High Altitude Baking

When baking at high altitudes, in either **BAKE** or **CONVECTION BAKE**, recipes and baking times vary. For accurate information, write the Extension Service, Colorado State University, Fort Collins, Colorado 80521. There may be a cost for the bulletins. Specify the type of information you want (example: cakes, cookies, breads, etc.).

Condensation

It is normal for a certain amount of moisture to evaporate from the food during any cooking process. The amount depends on the moisture content of the food. The moisture will condense on any surface cooler than the inside of the oven, such as the control panel.

Temperature Setting

When using Convection Bake, reduce the temperature recommended in the recipe by 25°F, except for meats. When roasting meats, check internal temperature prior to time recommended by recipe to prevent over cooking.

Rack Positions

One Rack Baking

- When baking on one rack, best results are obtained in the bake mode (see Bake).
- When roasting a turkey or a large piece of meat, convection bake may be used. Rack #2 is the most appropriate rack.

Two Rack Baking

- Racks #2 and #4 or #5 are most appropriate when using the convection bake mode. Cookie sheets should not be staggered but the cookie sheet on rack #2 should be placed directly under the one on rack #4 or #5. Stagger round cake pans.
- This may be used for cakes, cookies, biscuits and other foods for which two rack baking is desirable.
- When several casseroles, frozen pies or cakes are to be baked, use racks #2 and #4 or #5.

- These two racks can also be used for a large oven meal.

Three Rack Baking

- When several sheets of cookies are to be baked, bake them on racks #1, #3 and #5. Place the baking sheets directly above each other on the respective racks to allow air to flow around the baking sheets.

Bakeware Type

- Aluminum bakeware gives the best browning results.
- Cookie sheets with only two sides give the best results. Aluminum commercial half-sheets or professional cooking utensils may be used.

Placement

- For better browning, utensils such as cookie sheets, jelly roll pans and rectangular baking pans should be placed crosswise on the rack with the shorter sides on the right and the left. This allows the air to circulate freely.
- When baking on more than one rack, stagger round cake pans but cookie sheets should not be staggered.



CAUTION:

WHEN USING THE OVEN IN ANY MODE

Never use aluminum foil to cover the oven racks or to line the oven. It can damage the oven and cause a fire hazard if heat is trapped under it. See page 3.

Setting Bake/Convection Bake/Extended Bake

Bake / Convection Bake

These cooking modes are for baking, roasting or warming using one, two or three racks.

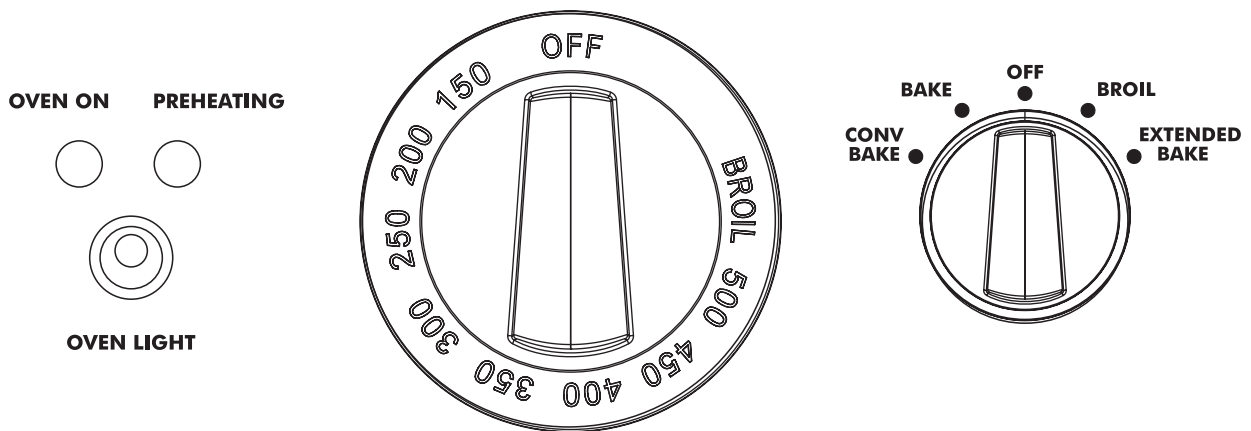
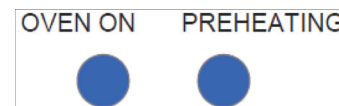


Figure 24: Oven Controls for 36'' Range

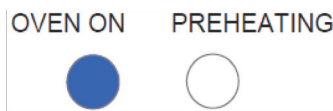
To Set the Oven

1. Select **BAKE** mode or **CONVECTION BAKE** mode using the Mode Selector Knob.
2. Set oven temperature using the Temperature Selector Knob.
 - If using **CONVECTION BAKE**, set the Temperature Selector Knob 25°F below the temperature suggested in the recipe. No variation in temperature setting is necessary if roasting meats or poultry.

- The convection fan turns on six (6) minutes after the oven is turned on if the **CONVECTION BAKE** mode is selected.
- The **OVEN ON** and **PREHEATING** lights turn on.



- The oven is preheated to the set temperature when the **PREHEATING** light cycles off the first time.



- The **OVEN ON** light stays on during any active cooking mode, and remains on until either of the oven control knobs is turned to the **OFF** position.

Note:

The interior oven light is operated by a separate switch that turns the light on and off, independent of any control setting.

Extended Bake

This unique cooking mode is for assisting the user for compliance to Sabbath principles.

1. Select **EXTENDED BAKE** mode using the Mode Selector Knob.
2. Set oven temperature using the Temperature Selector Knob.
 - **PREHEATING PHASE** is the same as for other **BAKE** modes. Once the oven is preheated to the selected temperature, the twenty-two (22) minute Extended Bake cycle begins.
 - **ACTIVE PHASE** baking is as usual for nineteen (19) minutes, except during the last two (2) minutes, the **OVEN ON** and **PREHEATING** lights blink slowly (on 3 sec. / off 3 sec. together) to serve as a **NOTICE** for the final phase.



- **ACCESS PHASE (oven idle):** Once the two lights stop blinking (both remaining on), the final three (3) minutes allows the Sabbath user access to the oven without effecting a change in the operation of the range. The oven burner remains off during this phase.

Automatic operation of the cooling blower:

The cooling blower does not activate in any of the **BAKE** modes for temperature settings less than 425°F. For temperature settings of 425°F or greater, the cooling blower activates only after the oven reaches 425°F, while heating up to the set temperature. When the oven is turned off, the blower remains on until the oven temperature cools to 375°F. Likewise for **BROIL** mode, the cooling blower activates only after the oven reaches 425°F, while heating up to broiling temperature.

DO NOT continue to use the oven if the cooling blower fails to activate while baking at temperature settings of 425°F or greater, or while broiling. Call a qualified service agency to repair the range.

Other Uses of Bake

Slow Cooking and Low Temperature Uses of the Oven

In addition to providing perfect temperatures for baking and roasting, the oven can be used at low temperatures to keep hot, cooked foods at serving temperature, to dehydrate food and to warm plates.

Hot cooked foods can be kept at serving temperatures. Set the oven to bake and use the temperature suggested on the chart.

For best results, preheat the oven to the desired temperature.

Foods that need to be kept moist must be covered with a lid or aluminum foil.



FOOD SAFETY

The United States Department of Agriculture advises: DO NOT hold foods at temperatures between 40°F to 140°F more than 2 hours. Cooking raw foods below 275°F is not recommended.

Suggested Temperature Recommendations to Keep Food Hot

FOOD	OVEN TEMPERATURE
Beef	150°F
Bacon	200° - 225°F
Biscuits and Muffins (covered)	175° - 200°F
Casserole (covered)	175° - 200°F
Fish and Seafood	175° - 200°F
Deep Fried Foods	200° - 225°F
Gravy or Cream Sauces (covered)	175°F

FOOD	OVEN TEMPERATURE
Lamb and Veal Roasts	175° - 200°F
Pancakes and Waffles (covered)	200° - 225°F
Potatoes Baked	200°F
Mashed (covered)	175°F
Pies and Pastries	175°F
Pizza (covered)	225°F
Pork	175° - 200°F
Poultry (covered)	175° - 200°F
Vegetables (covered)	175°F

Baking Recommendations

FOOD	PAN SIZE	CONTROL TEMPERATURE SETTING (F.)	TOTAL SUGGESTED COOKING TIME
Cookies	12"x15" Cookie Sheet	375°	8 to 12 minutes
Layer Cakes	8" or 9" Round	350°	25 to 35 minutes
Sheet Cakes	9"x13" Pan	350°	30 to 40 minutes
Bundt™ Cakes	12 Cup	325°	60 to 75 minutes
Brownies or Bar Cookies	9"x9" Pan	325°	20 to 25 minutes
Biscuits	12"x15" Cookie Sheet	425° or Package Directions	10 to 15 minutes
Quick Bread	8"x4" Loaf Pan	350°	55 to 70 minutes
Muffins	12 cup Muffin Pan	425°	14 to 19 minutes
Fruit Pies	9" Diameter	425°	35 to 45 minutes
Fruit Cobblers	9"x9" Pan	400°	25 to 30 minutes
Yeast Bread, Loaves	8"x4" Loaf Pan	425°	25 to 30 minutes
Dinner Rolls	9"x13" Pan	400°	12 to 18 minutes
Cinnamon Rolls	9"x13" Pan	375°	25 to 30 minutes
Yeast Coffee Cake	12"x15" Cookie Sheet	400°	20 to 30 minutes

Broil

Getting the Best Results

- Defrost food before broiling.
- Keep door closed during broiling.
- Steaks should be more than 1" thick if rare meat is desired.
- Turn foods over only once, after half the total cooking time. It is not necessary to turn very thin foods (ham slices, fillets of fish, etc.). Liver slices must be turned over regardless of thickness.
- Use a minute timer. Set it for the minimum time to check the food.
- Center foods directly under the infrared burner for best browning.

Rack Positions

Before turning on the oven, place the rack in the desired position. Center the broil pan directly under the infrared burner.

Gas Oven

- #4 — Use this rack position when broiling beef steaks, ground meat patties, ham steak and lamb chops 1 inch or less in thickness. Also, use when top browning foods.
- #3 — Use this rack position when broiling meat 1-1/8 inches or more in thickness, fish, poultry, pork chops, ham steaks 1 inch or more in thickness.
- #3 — Use this rack when broiling chicken quarters or halves.

Utensils

- The porcelain enamel two-piece broil pan and grid is included with the range. **DO NOT** cover the slotted grid (top) with aluminum foil.
- Use metal or glass-ceramic bakeware when top browning casseroles, main dishes, or bread.
- **DO NOT** use heat-proof glass or pottery. This type of glassware cannot withstand the intense heat of the gas broiler.

Broiling Using a Regular Meat Thermometer

For accurately determining the degree of doneness for a thick steak or chop (at least 1-1/2 inches thick), use a regular meat thermometer. Insert the point of the

thermometer into the side of the meat to the center of the steak or chop.

For rare steaks, cook the first side to 90°F. For medium or well done steaks, cook the first side to 100°F. Turn and cook the second side to desired internal temperature.

Note:

It is impossible to use the oven and the broiler simultaneously. When one is on, the other one cannot be turned on.

Setting Broil

Broil — Gas Oven

Only the infrared burner heats in the **BROIL** mode.

Note:

Successful broiling requires constant exposure to high, intense heat.

To Set the Oven to Broil

1. Place oven rack in desired position.
2. Set Mode Selector Knob to **BROIL**.
3. Set Temperature Selector Knob to **BROIL**.
4. Wait until **PRE HEATING** light turns off, after approximately three (3) minutes.
5. Place food in oven at desired rack position.
6. The oven door must be closed when broiling in the oven.
 - Your Professional Range comes with a large two-piece broil pan. The slotted grid allows drippings to flow into the lower pan, away from the intense heat of the broil burner, minimizing spattering and smoking.

The **OVEN ON** light stays on during any **BROIL** mode, and remains on until either of the oven control knobs is turned to the **OFF** position.

Automatic operation of the cooling blower:

For **BROIL** mode, the cooling blower activates only after the oven reaches 425°F, while heating up to the broiling temperature. When the broiler is turned off, the blower remains on until the oven temperature cools to 375°F.

DO NOT continue to use the broiler if the cooling blower fails to activate while broiling. Call a qualified service agency to repair the range.

Note:

The interior oven light is operated by a separate switch that turns the light on and off, independent of any control setting.

Broiling and Roasting Recommendations

All meats are placed on the broiler pan included with the range.

FOOD ITEM	RACK NUMBER	OVEN MODE	CONTROL TEMPERATURE SETTING (F)	APPROXIMATE COOKING TIME	SPECIAL INSTRUCTIONS AND TIPS
BEEF					
Ground Beef Patties, 1/2" thick	4	Broil	Broil	15 to 20 minutes	Broil until no pink in center
T-Bone Steak	4	Broil	Broil	12 to 20 minutes	Time depends on rareness of steak
Flank Steak	4	Broil	Broil	12 to 20 minutes	Rare to Medium Rare
Eye of Round Roast	3	Bake or Conv Bake	325°	20 to 25 min/lb	Small roasts take more minutes per pound; reduce time by using Conv Bake
PORK					
Loin Roast	3	Bake or Conv Bake	325°	20 to 25 min/lb	Cook until juices are clear
POULTRY					
Boneless Skinless Chicken Breasts	4	Broil	Broil	20 to 25 minutes	Cook until juices are clear
Chicken Thighs	3	Broil	Broil	25 to 30 minutes	Remove skin; Cook until juices are clear
Half Chickens	3	Broil	Broil	30 to 45 minutes	Turn with tongs; Cook until juices are clear
Roast Chicken	2	Bake or Conv Bake	350°	75 to 90 minutes	Do not stuff; reduce time by using Convection Bake
Turkey	2	Bake or Conv Bake	325°	20 to 25 min/lb	Do not stuff; reduce time by using Convection Bake

Care and Maintenance

Range Cleaning

When Cleaning This Range:

1. Use the mildest cleaning procedure that will do the job efficiently and effectively. Some cleaners of the same type are harsher than others. Try on a small area first.
2. Always rub metal finishes in the direction of the polish lines for maximum effectiveness and to avoid marring the surface.
3. Use only clean soft cloths, sponges, paper towels, fibrous brushes, plastic, non-metal or steel wool soap pads for cleaning and scouring, as recommended on the chart.
4. Any part of this appliance can be cleaned with hot sudsy water. When rinsing is required, rinse thoroughly

5. Always wipe dry immediately to avoid water marks.



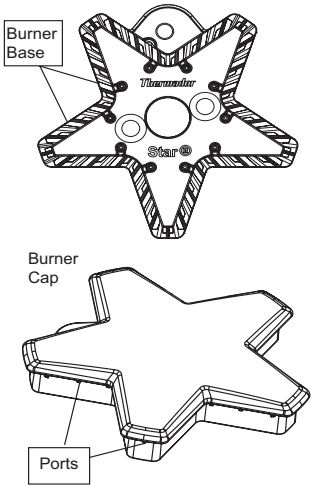
CAUTION

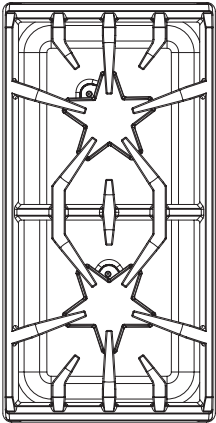
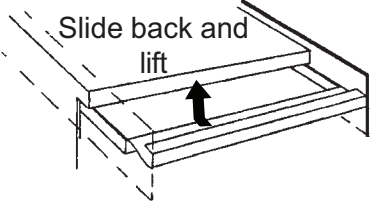
Avoid cleaning any part of the range while it is hot.

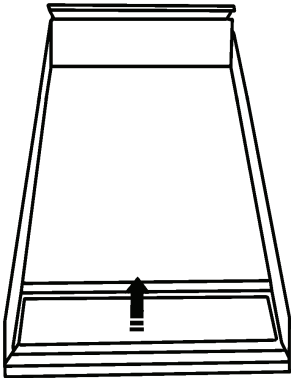
Brand Names

The use of brand names is intended only to indicate a type of cleaner. This does not constitute an endorsement. The omission of any brand name cleaner does not imply its adequacy or inadequacy. Many products are regional in distribution and can be found in the local markets. It is imperative that all products be used in strict accordance with instructions on the package. The following chart gives directions for cleaning this range.

Cleaning Recommendations

PART/MATERIAL	SUGGESTED CLEANERS	IMPORTANT REMINDERS
<p>Brass Burner Base and Cast Iron Cap</p> 	<ul style="list-style-type: none"> • Hot sudsy water; rinse and dry thoroughly. • Mild Abrasive Cleansers: Bon Ami®, Cameo® Aluminum and Stainless Steel Cleaner, Wright's® All Purpose Brass Polish. • Liquid cleaners: Kleen King®. • Stiff nylon bristle tooth brush to clean port openings. • After cleaning, make sure that the burner cap is correctly seated on the burner base. 	<ul style="list-style-type: none"> • Do not scratch or gouge the port features of the brass burner base.
<p>Control Knobs / Plastic Bezels / Chrome Please see Guide to Knob Identification and Location on page 9.</p>	<ul style="list-style-type: none"> • Hot sudsy water; rinse and dry immediately. 	<ul style="list-style-type: none"> • Do not soak knobs. • Do not force knobs onto wrong valve shaft.

PART/MATERIAL	SUGGESTED CLEANERS	IMPORTANT REMINDERS
<p>Exterior Finish/Back Guard / Stainless Steel</p>	<ul style="list-style-type: none"> • Nonabrasive Cleaners: Hot water and detergent, ammonia, Fantastic®, Formula 409®. Rinse and dry immediately. • Cleaner Polish: Stainless Steel Magic® to protect the finish from staining and pitting; enhances appearance. • Hard water spots: Household vinegar. • Mild Abrasive Cleaners: Siege Stainless Steel and Aluminum Cleaner, Kleen King® Stainless Steel liquid cleaner. • Heat discoloration: Cameo®, Barkeepers Friend®, Zud®, Wright's® All Purpose Brass Polish. 	<ul style="list-style-type: none"> • Stainless steel resists most food stains and pit marks providing the surface is kept clean and protected. • Never allow food stains or salt to remain on stainless steel for any length of time. • Rub lightly in the direction of polish lines. • Chlorine or chlorine compounds in some cleaners are corrosive to stainless steel. Check ingredients on label.
<p>Grates / Porcelain Enamel on Cast Iron</p> 	<ul style="list-style-type: none"> • Nonabrasive cleaners: Hot water and detergent, Fantastic®, Formula 409®. Rinse and dry immediately. • Mild abrasive cleaners: Bon Ami® and Soft Scrub®. • Abrasive cleaners for stubborn stains: soap-filled steel wool pad. • Lestoil® or other degreaser. 	<ul style="list-style-type: none"> • The grates are heavy; use care when lifting. Place on a protected surface. • Blisters/ crazing/ chips are common due to the extreme temperatures on grate fingers and rapid temperature changes. • Acidic and sugar-laden spills deteriorate the enamel. Remove soil immediately. • Abrasive cleaners, used too vigorously or too often can eventually mar the enamel.
<p>Griddle Grease Tray / Aluminum with non-stick coating</p> 	<ul style="list-style-type: none"> • Clean the grease tray after each use. • May be placed in dishwasher. • Wash in detergent and hot water; rinse and dry. • Stubborn soil: Soft Scrub® 	<ul style="list-style-type: none"> • Empty grease tray after each use. • Remove tray after grease has cooled. Be careful not to fill tray so full that tipping to remove it spills the grease.

PART/MATERIAL	SUGGESTED CLEANERS	IMPORTANT REMINDERS
<p>Griddle / Aluminum with non-stick coating</p> 	<ul style="list-style-type: none"> Remove drip tray and discard grease into a grease resistant container for disposal. Wash drip tray in warm soapy water or place in dishwasher. Wipe griddle surface with warm soapy water then rinse with warm water. Wipe dry with a soft cloth. If food particles stick to the griddle plate, remove with a mild abrasive cleaner such as Soft Scrub®. 	<ul style="list-style-type: none"> Never flood a hot griddle with cold water. This can warp or crack the aluminum plate. Do not clean any part of the griddle in a self-cleaning oven.
<p>Igniters / Ceramic</p>	<ul style="list-style-type: none"> Use a cotton swab dampened with water, Formula 409® or Fantastic®. 	<ul style="list-style-type: none"> Do not use sharp tools to scrape igniters. They are fragile. If an igniter is damaged, it may not light the burner.
<p>Surface Spill Trays / Main Top Porcelain Enamel</p>	<p>A cleaner such as Soft Scrub® may be used. Apply with a damp sponge or cloth according to the manufacturer's instructions. Rinse thoroughly and wipe dry with a soft cloth.</p> <p>If cleaners such as Bar Keeper's Friend®, Bon-ami®, Comet® or Ajax® are used, apply with a damp sponge or cloth according to the manufacturer's directions. Rub lightly as these cleansers may scratch the finish. Rinse thoroughly and wipe dry with a soft cloth.</p> <p>For burned on foods, soap filled fiber or steel wool pads such as S.O.S.® or Brillo® may be used. Dampen the pad and rub gently. Care must be taken as these may scratch the finish. Rinse thoroughly and wipe dry with a soft cloth.</p>	

PART/MATERIAL	CLEANING PRODUCTS/DIRECTIONS
<p>Broil Pan Grid/Bottom Porcelain Enamel</p>	<p>DO NOT CLEAN IN SELF-CLEANING OVEN</p> <p>To loosen cooked on food, sprinkle empty hot grid with powdered laundry detergent or squirt with liquid detergent and cover with wetpaper towels. Allow to stand.</p> <p>Hot sudsy water.</p> <ul style="list-style-type: none"> Wash, rinse thoroughly and dry. <p>Cleaners: Soft Scrub®.</p> <ul style="list-style-type: none"> Apply with a damp sponge or cloth according to manufacturer's directions. Rinse and wipe dry. <p>Powdered Cleanser: Bon-ami®, Comet®, Ajax®.</p> <ul style="list-style-type: none"> Apply with a damp sponge or cloth according to manufacturer's directions. Rub lightly, it may scratch the finish. Rinse thoroughly and wipe dry. <p>Soap-filled fiber or steel wool pads: S.O.S®, Brillo®.</p> <ul style="list-style-type: none"> Dampen pad, rub lightly, it may scratch the finish. Rinse thoroughly and wipe dry.
<p>Cavity Porcelain Enamel on Steel</p>	<p>Porcelain enamel is acid resistant, but not acid proof. Acid foods such as citrus juices, tomatoes, rhubarb, vinegar, alcohol or milk, should be wiped up and not allowed to bake onto the porcelain during the next use. Over a period of time, the porcelain may craze (get fine hairlike lines) This will not affect oven performance.</p> <p>Hot sudsy water.</p> <ul style="list-style-type: none"> Wash, rinse thoroughly, and dry. <p>Mild Cleaners: Bon-ami®, ammonia, or ammonia and water, Soft Scrub®.</p> <ul style="list-style-type: none"> Apply to a damp sponge or cloth. Rub lightly. Rinse thoroughly. Dry. If food has burned onto the oven and is difficult to remove, the spots can be soaked with a cloth saturated with household ammonia. Close the door and allow it to soak for an hour or two, or until the food soil can be easily removed with a damp soapy cloth or mild abrasive. A solution of about 3 tablespoons of household ammonia in a half cup of water may be placed in the warm oven over night. This will loosen hardened residue and spillage so that it may be easily wiped up. The ammonia solution may be added to warm water for a thorough wiping of the oven.
<p>Front Frame Stainless Steel</p>	<p>See Exterior Finish/Back Guard, page 28.</p>

PART/MATERIAL	CLEANING PRODUCTS/DIRECTIONS
<p>Oven Racks and Rack Guides Nickel Plated</p> <p>Note: The rack guides are removable, for cleaning using this procedure (see removal instructions on page 32).</p>	<p>Hot sudsy water.</p> <ul style="list-style-type: none"> Wash, rinse thoroughly, and dry. <p>Cleaners: Soft Scrub®.</p> <ul style="list-style-type: none"> Apply with a damp sponge or cloth according to manufacturer's directions. Rinse and wipe dry. <p>Powdered Cleanser: Bon-ami® Comet®, Ajax®.</p> <ul style="list-style-type: none"> Apply with a damp sponge or cloth according to manufacturer's directions. Rub lightly. Rinse thoroughly and wipe dry. <p>Soap filled fiber or steel wool pads: S.O.S® , Brillo®.</p> <ul style="list-style-type: none"> Dampen pad, rinse thoroughly, and dry. <p>Harsh Cleaners: Easy Off® Oven Cleaner.</p> <p>Note: Some commercial oven cleaners cause darkening and discoloration. Test the cleaner on a small part of the rack and check for discoloration before cleaning the entire rack.</p> <ul style="list-style-type: none"> Apply a generous coating. Allow to stand for 10 to 15 minutes. Rinse thoroughly and wipe dry. <p>If the racks do not slide easily after being cleaned, dampen a paper towel with a small amount of cooking oil and rub it lightly over the siderails.</p>
<p>Exterior, Frame, Handle, Heat Deflector Stainless Steel</p>	<p>Use care to keep cleaners and water away from the door vents. If water or cleaners spill into the vents, water may streak the glass inside. See Exterior Finish/Back Guard / Stainless Steel, page 28.</p>
<p>Interior Porcelain Enamel</p>	<p>See Cavity, page 30.</p>
<p>Seal Door Gasket</p>	<p>General Kitchen Cleaners: Formula 409® , Fantastik®.</p> <ul style="list-style-type: none"> Spray on and blot dry with a cloth. Do not rub. Do not move, remove or damage mesh.

Rack Guide removal, for cleaning:

1. Lift the front of rack guide to clear the heads of the two shoulder bolts at the front of the oven cavity.
2. Remove the front portion of the rack guide by pulling the guide's key slots over the shoulder bolts.
3. Pull the two rails out of the holes in the back of the oven cavity

Note:

The rack guides are designed to fit either side of the oven cavity.



force, until the cover snaps into position. Avoid applying excessive force on the glass.




CAUTION

Before replacing the light bulb, be certain the Oven Light Switch is in the off position. Let bulb and cover cool completely before touching. If the light bulb glass comes loose from the base, turn the power to the oven **OFF** at the circuit breaker panel, before attempting to remove the bulb base from the socket.

Power Failure

- In the event of a power failure, only the standard burners can be lighted manually. It is necessary to light each standard burner individually.
- If the range's cooktop is being used when the power failure occurs turn all of the burner control knobs to the **OFF** position. The standard burners can be lighted by holding a match at the ports and turning the control

knob to the  position. Wait until the flame is burning all the way around the burner cap before adjusting the flame to the desired height. The two ExtraLow[®] burners on the left side cannot be used during a power failure. Be sure to turn them **OFF** if a power failure occurs because they will not turn back on until the control knobs are turned **OFF** and then turned back on again. See "What to do if you Smell Gas", inside front cover.

- If you have low gas pressure, contact your gas company.

Do-It-Yourself Maintenance

Oven Light Bulb Replacement

Replace only with a recommended light bulb designed for appliance oven use. **DO NOT USE** a standard household light bulb in any oven.

To Replace the Light Bulb:

1. Make sure that oven light switch is in the **OFF** position .
2. Remove the light cover -
With a flat-blade screwdriver in one hand, use the screwdriver as a small wedge to gently pry apart the glass cover from the metal housing and hold the glass in the other hand as it releases from the housing.
3. Remove the burned-out bulb. Replace it with a recommended appliance light bulb only. Do not touch bulb with fingers. Follow the bulb manufacturer's instructions.
4. Replace the glass cover by aligning it with the housing and pressing on both ends of the glass, with equal

Intermittent or Constant Igniter Sparking

Intermittent or constant sparking of the sealed gas surface burners can result from a number of preventable conditions. Eliminate these conditions as indicated in the chart.

SYMPTOM	CAUSE	REMEDY
Intermittent sparking	<ul style="list-style-type: none"> Ceramic igniter is wet or dirty. Burner ports are clogged. 	<ul style="list-style-type: none"> Carefully dry or clean igniter. Clean ports on burner cap with a wire, a needle or straightened paper clip.
More than four clicks of igniter before lighting	<ul style="list-style-type: none"> Improper fit of burner cap onto burner base. 	<ul style="list-style-type: none"> Align burner cap properly on burner base.
Constant Sparking	<ul style="list-style-type: none"> Range is not properly grounded. Electrical power supply is incorrectly polarized. 	<ul style="list-style-type: none"> Refer to Installation Instructions. Have a qualified electrician ground the range properly. Refer to Installation Instructions. Have a qualified electrician ground the range properly.

Before Calling For Service

Before calling for service, check the following to avoid unnecessary service charges.

Be sure to check these items first:

- Is there a power outage in the area?
- Is the household fuse blown or the circuit breaker tripped?
- Is the range disconnected from the electrical supply?

If the Burners do not Ignite

- Are the burner caps properly aligned and seated in the burner bases?
- Are the burner ports clogged?
- Is a fuse blown or is the circuit breaker tripped?
- Is the manual shut-off valve closed, preventing the flow of gas?

Data Rating Plate

The data rating plate shows the model and serial number of your range. It is located on the frame, behind the oven door (See illustration).

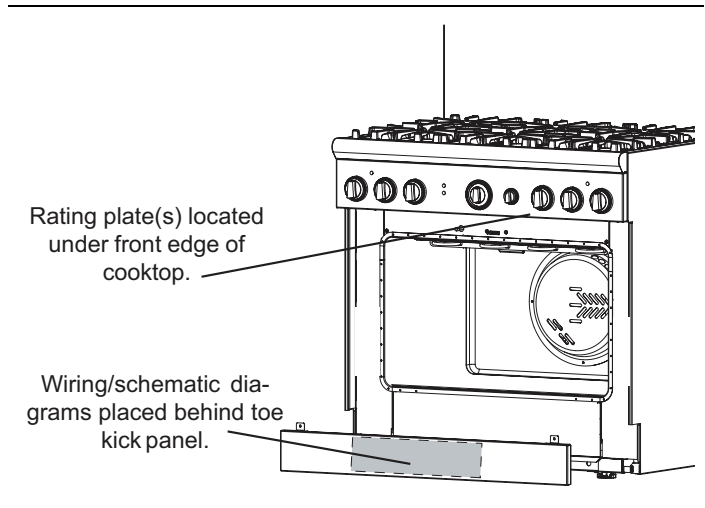


Figure 25: Rating Plate and Wiring Diagram Locations (oven door not shown)

The electric wiring diagrams and schematics in the toe kick area should not be removed except by a service technician. Replace after service.



CAUTION:

Before removing the toe kick panel, disconnect the range from the electrical power supply. Reinstall the toe kick panel before reconnecting the range to the power supply and operating the range.

Service Information

For handy reference, copy the information below from the data rating plate. Keep your invoice for Warranty validation.

Model Number

Serial Number

Date of Purchase

Dealer's Name

Dealer's Phone Number

Service Center's Name

Service Center's Phone Number

Also, enter this information on the Product Registration Form included with this product, then mail it to the indicated address.

STATEMENT OF LIMITED PRODUCT WARRANTY

What this Warranty Covers & Who it Applies to

The limited warranty provided by BSH Home Appliances Thermador in this Statement of Limited Product Warranty applies only to the Thermador appliance sold to you, the first using purchaser, provided that the Product was purchased:

- For your normal, household (non-commercial) use, and has in fact at all times only been used for normal household purposes.
- New at retail (not a display, "as is", or previously returned model), and not for resale, or commercial use.
- Within the United States or Canada, and has at all times remained within the country of original purchase.

The warranties stated herein apply only to the first purchaser of the Product and are not transferable.

Please make sure to return your registration card; while not necessary to effectuate warranty coverage, it is the best way for Thermador to notify you in the unlikely event of a safety notice or product recall.

How Long the Warranty Lasts

Thermador warrants that the Product is free from defects in materials and workmanship for a period of twelve (12)

months from the date of purchase. The foregoing timeline begins to run upon the date of purchase, and shall not be stalled, tolled, extended, or suspended, for any reason whatsoever.

Repair/Replace as Your Exclusive Remedy

During this warranty period, Thermador or one of its authorized service providers will repair your Product without charge to you (subject to certain limitations stated herein) if your Product proves to have been manufactured with a defect in materials or workmanship. If reasonable attempts to repair the Product have been made without success, then Thermador will replace your Product (upgraded models may be available to you, in Thermador's sole discretion, for an additional charge). All removed parts and components shall become the property of Thermador at its sole option. All replaced and/or repaired parts shall assume the identity of the original part for purposes of this warranty and this warranty shall not be extended with respect to such parts. Thermador's sole liability and responsibility hereunder is to repair manufacturer-defective Product only, using a Thermador-authorized service provider during normal business hours. For safety and property damage concerns, Thermador highly recommends that you do not attempt to repair the Product yourself, or use an un-authorized service provider; Thermador will have no responsibility or liability for repairs or work performed by a non-authorized service. If you choose to have someone other than an authorized service provider work on your Product, THIS WARRANTY WILL AUTOMATICALLY BECOME NULL AND VOID. Authorized service providers are those persons or companies that have been specially trained on Thermador products, and who possess, in Thermador's opinion, a superior reputation for customer service and technical ability (note that they are independent entities and are not agents, partners, affiliates or representatives of Thermador). Notwithstanding the foregoing, Thermador will not incur any liability, or have responsibility, for the Product if it is located in a remote area (more than 100 miles from an authorized service provider) or is reasonably inaccessible, hazardous, threatening, or treacherous locale, surroundings, or environment; in any such event, if you request, Thermador would still pay for labor and parts and ship the parts to the nearest authorized service provider, but you would still be fully liable and responsible for any travel time or other special charges by the service company, assuming they agree to make the service call.

Out of Warranty Product

Thermador is under no obligation, at law or otherwise, to provide you with any concessions, including repairs, pro-rates, or Product replacement, once this warranty has expired.

Warranty Exclusions

The warranty coverage described herein excludes all defects or damage that are not the direct fault of Thermador, including without limitation, one or more of the following:

- Use of the Product in anything other than its normal, customary and intended manner (including without limitation, any form of commercial use, use or storage of an indoor product outdoors, use of the Product in conjunction with air or water-going vessels).
- Any party's willful misconduct, negligence, misuse, abuse, accidents, neglect, improper operation, failure to maintain, improper or negligent installation, tampering, failure to follow operating instructions, mishandling, unauthorized service (including self-performed "fixing" or exploration of the appliance's internal workings).
- Adjustment, alteration or modification of any kind.
- A failure to comply with any applicable state, local, city, or county electrical, plumbing and/or building codes, regulations, or laws, including failure to install the product in strict conformity with local fire and building codes and regulations.
- Ordinary wear and tear, spills of food, liquid, grease accumulations, or other substances that accumulate on, in, or around the Product.
- Any external, elemental and/or environmental forces and factors, including without limitation, rain, wind, sand, floods, fires, mud slides, freezing temperatures, excessive moisture or extended exposure to humidity, lightning, power surges, structural failures surrounding the appliance, and acts of God.

In no event shall Thermador have any liability or responsibility whatsoever for damage to surrounding property, including cabinetry, floors, ceilings, and other structures or objects around the Product. Also excluded from this warranty are scratches, nicks, minor dents, and cosmetic damages on external surfaces and exposed parts; Products on which the serial numbers have been altered, defaced, or removed; service visits to teach you how to use the Product, or visits where there is nothing wrong with the Product; correction of installation problems (you are solely responsible for any structure and setting for the Product, including all electrical, plumbing or other connecting facilities, for proper foundation/flooring, and for any alterations including without limitation cabinetry, walls, floors, shelving, etc.); and resetting of breakers or fuses.

TO THE EXTENT ALLOWED BY LAW, THIS WARRANTY SETS OUT YOUR EXCLUSIVE REMEDIES WITH RESPECT TO PRODUCT, WHETHER THE CLAIM ARISES IN CONTRACT OR TORT (INCLUDING STRICT LIABILITY, OR NEGLIGENCE) OR OTHERWISE. THIS WARRANTY IS IN LIEU OF ALL OTHER WARRANTIES, WHETHER EXPRESS OR IMPLIED. ANY WARRANTY IMPLIED BY LAW, WHETHER FOR MERCHANTABILITY

OR FITNESS FOR A PARTICULAR PURPOSE, OR OTHERWISE, SHALL BE EFFECTIVE ONLY FOR THE PERIOD THAT THIS EXPRESS LIMITED WARRANTY IS EFFECTIVE. IN NO EVENT WILL THE MANUFACTURER BE LIABLE FOR CONSEQUENTIAL, SPECIAL, INCIDENTAL, INDIRECT, "BUSINESS LOSS", AND/OR PUNITIVE DAMAGES, LOSSES, OR EXPENSES, INCLUDING WITHOUT LIMITATION TIME AWAY FROM WORK, HOTELS AND/OR RESTAURANT MEALS, REMODELLING EXPENSES IN EXCESS OF DIRECT DAMAGES WHICH ARE DEFINITELY CAUSED EXCLUSIVELY BY THERMADOR, OR OTHERWISE. SOME STATES DO NOT ALLOW THE EXCLUSION OR LIMITATION OF INCIDENTAL OR CONSEQUENTIAL DAMAGES, AND SOME STATES DO NOT ALLOW LIMITATIONS ON HOW LONG AN IMPLIED WARRANTY LASTS, SO THE ABOVE LIMITATIONS MAY NOT APPLY TO YOU. THIS WARRANTY GIVES YOU SPECIFIC LEGAL RIGHTS, AND YOU MAY ALSO HAVE OTHER RIGHTS WHICH VARY FROM STATE TO STATE.

No attempt to alter, modify or amend this warranty shall be effective unless authorized in writing by an officer of BSH.

Table des matières

Concernant ce guide	1	Utilisation de la table	
Présentation de ce guide	1	de cuisson	21
Introduction	1	Cuisson au four	21
Sécurité	2	Convection	22
Avant de commencer	7	Réglages de cuisson/cuisson par convection/cuisson prolongée	24
Avant d'utiliser la cuisinière pour la première fois	7	Autres utilisations du four	25
Description	8	Conseils de cuisson au four	26
Identification du modèle et des pièces — Cuisinière 36 po	8	Gril	27
Identification du modèle et des pièces — Cuisinière 30 po	9	Réglage du grilloir	28
Utilisation de la cuisinière	10	Conseils de cuisson – grillade et rôtis	28
Récipients recommandés	14	Entretien et nettoyage	30
Récipients pour spécialités	15	Nettoyage de la cuisinière	30
Recommandations de cuisson	16	Conseils de nettoyage	30
Conseils de cuisson avec les brûleurs de la table de cuisson	16	Entretien à faire soi-même	35
Concernant la grille électrique	19	Avant d'appeler le service	
Recommandations de cuisson sur la plaque chauffante	20	technique	36
		ÉNONCÉ DE GARANTIE LIMITÉE	
		DU PRODUIT	37

Cet appareil électroménager de Thermador est fait par
BSH Home Appliances Corporation
5551 McFadden Ave.
Huntington Beach, CA 92649

Des questions ?

1-800-735-4328

www.thermador.com

Nous attendons de vos nouvelles!

Concernant ce guide

Présentation de ce guide

Ce guide comprend plusieurs sections :

- La section *Sécurité* donne les précautions de sécurité importantes. Lire cette section avant d'utiliser ce nouvel appareil.

- Les sections *Utilisation de la table de cuisson et Utilisation de four* décrivent comment utiliser l'appareil afin d'en assurer une longue vie.
- La section *Entretien et Nettoyage* décrit la façon de nettoyer et d'entretenir l'appareil.
- La section *Avant d'appeler le service technique* comprend le guide de dépannage et la garantie.

Avant d'utiliser cet appareil, lisez ce guide. Portez une attention spéciale à **la section Sécurité** au début du guide.

Introduction



AVERTISSEMENT :

L'information fournie dans le présent manuel doit être rigoureusement suivie, sous risque d'incendie ou d'explosion susceptible d'entraîner des dommages, des blessures ou la mort.

- N'entreposez pas et n'utilisez pas d'essence ou d'autres produits inflammables à proximité de la cuisinière ou de tout autre appareil.
- **SI VOUS DÉTECTEZ UNE ODEUR DE GAZ**
 - N'allumez aucun appareil.
 - Ne touchez pas aux interrupteurs électriques.
 - N'utilisez pas les téléphones du bâtiment.
 - Appelez immédiatement votre compagnie de gaz de chez un voisin. Suivez les instructions de la compagnie.
 - Si vous n'arrivez pas à contacter votre compagnie de gaz, appelez les pompiers.
- L'installation et les réparations doivent être réalisées par un installateur qualifié, un centre de réparation agréé ou la compagnie de gaz.

Les cuisinières Thermador Professional® sont des appareils monoblocs disponibles en plusieurs configurations. Tous les modèles comprennent une table

de cuisson au gaz et un four au gaz à convection autonettoyant de dimension professionnelle avec un gril.

Vérification du type de gaz

Vérifiez le type de gaz fourni sur les lieux d'installation. L'appareil doit être raccordé au type de gaz pour lequel il est certifié. Les tables de cuisson proviennent d'usines certifiées pour une utilisation au gaz naturel ou au gaz propane. Assurez-vous que l'appareil correspond au type de gaz disponible. Consultez la fiche signalétique du produit que vous trouverez à l'endroit indiqué à la page 36.



MISE EN GARDE :

Si l'appareil est alimenté au gaz propane, assurez-vous que le réservoir de propane est équipé de son propre détendeur en plus du détendeur de la cuisinière. **La pression maximale d'arrivée du gaz pour cet appareil ne doit pas dépasser 34,9 mb (14 po, C.E.) entre le réservoir de propane et le détendeur.**

Important :

Toutes les cuisinières doivent être installées avec une plaque de protection. Le modèle 30 po est doté d'un dossier bas et les modèles 36 po sont dotés d'une garniture d'îlot. D'autres dossiers disponibles peuvent être commandés séparément et installés à l'arrière de la cuisinière. Les trois choix de modèles sont : plaque de protection basse, une plaque de protection à étagère de casserole et garniture d'îlot encastrée. Avant d'utiliser la cuisinière, assurez-vous que le bon dossier a été posé. N'utilisez PAS un dossier qui n'est pas conçu pour le

modèle de cuisinière. Consultez les instructions d'installation fournies avec l'appareil pour plus d'information.

Le présent manuel contient d'importants renseignements sur l'utilisation et l'entretien de tous les modèles de cuisinières Thermador Professional®. Pour utiliser ce

manuel, vous devez connaître le numéro du modèle de votre cuisinière puisque certains renseignements ne s'appliquent qu'à certains modèles. Ce numéro se trouve sur la fiche signalétique de votre cuisinière à l'emplacement indiqué à la page 36. Les tableaux de la page suivante énumèrent les différents modèles de cuisinières et leurs caractéristiques.

Sécurité



INSTRUCTIONS DE SÉCURITÉ IMPORTANTES

LISEZ ET CONSERVEZ CES INSTRUCTIONS

Exigences pour l'installation de l'alimentation au gaz et électrique et Instructions pour mise à la terre

LISEZ ATTENTIVEMENT CE QUI SUIT :

Modèles à gaz 30 po :

120 volts, 60 Hz, Circuit électrique de 10 A requis.

Modèles à gaz 36 po :

120 volts, 60 Hz, Circuit électrique de 10 A requis. Modèle 36 po avec grille électrique - Circuit électrique de 20 A requis.



AVERTISSEMENT :

DÉBRANCHEZ TOUJOURS LA FICHE ÉLECTRIQUE DE LA PRISE MURALE AVANT D'EFFECTUER DES RÉPARATIONS SUR LA CUISINIÈRE.

Il est conseillé de réserver un circuit électrique dédié à cet appareil.

L'utilisation d'appareils de cuisson au gaz produit de la chaleur et de l'humidité.



MISE EN GARDE :

POUR VOTRE SÉCURITÉ PERSONNELLE, CET APPAREIL DOIT ÊTRE CONNECTÉ À UNE ALIMENTATION ÉLECTRIQUE POLARISÉE AVEC UNE MISE À LA TERRE ADÉQUATE.



MISE EN GARDE :

Pour éviter tout risque de brûlures ou d'incendie, un dosseret est conçu spécifiquement pour cette cuisinière et doit être installé chaque fois que la cuisinière est utilisée.

Consultez les exigences d'alimentation électrique et de mise à la terre dans les Instructions d'installation.


L'utilisateur est tenu de faire raccorder cet appareil à l'alimentation électrique par un électricien qualifié, conformément au Code national de l'électricité et/ou à la réglementation locale.



MISE EN GARDE – TOUS LES MODÈLES : EN CAS DE PANNE ÉLECTRIQUE

Si, pour une raison quelconque, un bouton de commande de gaz est allumé et qu'il n'y a pas d'électricité pour actionner les allumeurs électroniques des brûleurs de la table de cuisson, positionnez le bouton à **OFF** puis attendez 5 minutes que le gaz se dissipe avant d'allumer manuellement les brûleurs.

Pour allumer manuellement les brûleurs, tenez une allumette allumée près de l'orifice des brûleurs puis tournez le bouton de commande

de gaz à . Vous pouvez utiliser les brûleurs de la table de cuisson pendant une panne d'électricité, mais vous devrez les allumer avec une allumette.

NE tentez PAS d'allumer les deux brûleurs de gauche à la main. Ces brûleurs sont dotés de la fonction ExtraLow® et ne peuvent être allumés à la main.

ESSAIS CONFORMES À :

- La norme américaine ANSI Z21.1 régissant les appareils électroménagers à gaz
- La norme américaine UL858 régissant les cuisinières électriques domestiques.
- La norme canadienne CAN/CSA-22.2 No. 61-M89 régissant les cuisinières domestiques.
- La norme canadienne CAN/CGA1.1-M81 régissant les cuisinières à gaz domestiques.

Consultez la réglementation locale du bâtiment applicable dans votre région pour connaître la bonne méthode d'installation. S'il n'y a pas de réglementation, cet appareil doit être installé conformément au Code national américain sur les gaz combustibles N° Z223.1/NFPA54 et au Code américain de l'électricité ANSI/NFPA70, ou bien au Code canadien Can - B149 régissant l'installation des appareils à gaz naturel et propane et à la section 1 du code électrique canadien C22.1.

Consignes de sécurité destinées à éviter les blessures

Votre cuisinière Thermador Professional® a été conçue pour être un appareil fiable et sécuritaire si elle est bien entretenue. Néanmoins, il est nécessaire d'être très prudent lorsqu'on utilise cette cuisinière de gamme professionnelle, car ce type d'appareil produit une chaleur intense qui peut augmenter les risques d'accidents. L'utilisation d'appareils de cuisine doit se faire conformément aux consignes élémentaires de sécurité, y compris ce qui suit :

Lisez attentivement le présent manuel d'utilisation et d'entretien avant d'utiliser votre nouvelle cuisinière afin de réduire les risques d'incendie, de décharge électrique ou de blessures.

L'installation et l'entretien doivent être correctement effectués. Lisez les Instructions d'installation fournies avec ce produit. Faites installer la cuisinière avec une mise à la terre par un électricien qualifié.

Demandez à l'installateur de vous montrer où est placé le robinet d'alimentation du gaz pour savoir où et comment couper l'arrivée de gaz à la cuisinière.

Ne réparez et ne remplacez aucune pièce de l'appareil. Sauf sous recommandation expresse du présent manuel, toute autre réparation doit être effectuée par un technicien qualifié.

Ne laissez pas d'enfants seuls ou sans surveillance dans une pièce où des appareils fonctionnent. Il est strictement interdit de s'asseoir ou de monter sur une partie

quelconque de l'appareil. Si des enfants sont autorisés à l'utiliser, ils doivent être surveillés de très près.



MISE EN GARDE :

Ne rangez pas d'objets attirant l'attention des enfants au-dessus ou derrière la cuisinière. Ils risqueraient d'y monter pour s'en emparer et pourraient être gravement blessés.

Lorsque les enfants sont suffisamment âgés pour faire fonctionner l'appareil, il incombe aux parents ou tuteurs légaux de s'assurer que des pratiques sécuritaires sont observées.

N'utilisez jamais la cuisinière ou le four comme espace de rangement. Les matériaux inflammables pourraient prendre feu et les objets en plastique pourraient fondre ou s'enflammer.

N'accrochez rien sur l'appareil et ne mettez rien contre le four. Certains tissus sont facilement inflammables et pourraient prendre feu.

Il incombe au propriétaire et à l'installateur de déterminer si des exigences et/ou des normes additionnelles s'appliquent à l'installation spécifique.

Si la cuisinière est placée près d'une fenêtre, assurez-vous que les courants d'air ne peuvent pas pousser les rideaux jusqu'au dessus ou à proximité des brûleurs; ils pourraient prendre feu.

Ayez un extincteur approprié à portée de main, visible et facilement accessible près de l'appareil. **N'UTILISEZ PAS D'EAU SUR DES GRAISSES QUI PRENNENT FEU.**

Éteignez l'appareil et éteignez les flammes avec du bicarbonate de soude ou un extincteur de poudre sèche ou de mousse.

Les vêtements, les poignées et mitaines ou autres matériaux inflammables ne doivent pas toucher ni être placés à proximité des éléments de la cuisinière, des brûleurs ou des grilles de brûleurs tant qu'ils ne sont pas refroidis. Les tissus peuvent prendre feu et provoquer des blessures.

N'utilisez que des poignées et mitaines sèches : les poignées et mitaines mouillées ou humides posées sur des surfaces chaudes peuvent provoquer des blessures dues au dégagement de vapeur. N'utilisez pas de serviettes ni de chiffons volumineux au lieu des poignées et mitaines. Ne posez pas les poignées ou mitaines sur des éléments chauds, des brûleurs chauds ou des grilles de brûleurs.

Pour votre sécurité personnelle, portez des vêtements appropriés. Ne portez pas de vêtements amples ou de manches tombantes quand vous utilisez cet appareil.

Certains tissus synthétiques sont extrêmement inflammables et ne devraient pas être portés pour cuisiner.

N'utilisez pas de papier d'aluminium pour couvrir des parties du four ou de la cuisinière. Le papier d'aluminium peut provoquer un incendie ou une décharge électrique ou encore obstruer la circulation de l'air de combustion et de ventilation. L'aluminium est un excellent isolant et la chaleur y sera emprisonnée, ce qui nuirait au fonctionnement de la cuisinière, et est susceptible d'endommager les revêtements du four ou de la cuisinière.



AVERTISSEMENT :

NE couvrez JAMAIS les fentes, trous ou passages au fond du four ou une grille avec des matériaux comme de l'aluminium. Ceci obstrue le débit d'air dans le four et peut causer un empoisonnement au monoxyde de carbone. Les doublures en aluminium peuvent capter la chaleur et causer un risque d'incendie.



AVERTISSEMENT — DANGER DE BASCULEMENT :

- Toutes les cuisinières peuvent basculer et blesser quelqu'un. Pour éviter un basculement accidentel, elles doivent être fixées au sol, au mur ou à une armoire à l'aide du dispositif antibasculé qui vous est fourni.
- L'appareil risque de basculer s'il n'est pas installé conformément à ces instructions.
- En déplaçant la cuisinière pour nettoyage, réparation ou autre raison, assurez-vous que le dispositif antibasculé est bien enclenché lorsque vous repoussez la cuisinière contre le mur. Sinon, dans le cas d'une utilisation anormale (personne montant, s'asseyant ou s'appuyant sur une porte ouverte), la cuisinière risque de basculer et de provoquer des blessures dues aux liquides chauds renversés ou au poids de la cuisinière.

Consignes de sécurité



AVERTISSEMENT :

Cet appareil a été conçu pour un usage culinaire. Pour des raisons de sécurité, il est interdit d'utiliser le four ou la table de cuisson pour chauffer une pièce. Cela pourrait endommager les composantes de la table de cuisson ou du four.

	AVERTISSEMENT : N'utilisez JAMAIS cet appareil pour chauffer ou réchauffer une pièce. Ceci peut causer un empoisonnement au monoxyde de carbone et surchauffer l'appareil.
--	--

Quand vous utilisez la table de cuisson : **NE TOUCHEZ PAS LES GRILLES DES BRÛLEURS OU LES ZONES À PROXIMITÉ.** Les zones entourant les brûleurs peuvent chauffer suffisamment pour causer des brûlures.

Ne laissez jamais la cuisinière sans surveillance quand vous utilisez une flamme forte. Les débordements produisent de la fumée et des éclaboussures de graisse qui peuvent s'enflammer. Par ailleurs, si certaines flammes s'éteignent, du gaz s'échappera dans la pièce. Au sujet des fuites de gaz, consultez l'intérieur de la page couverture.

Seuls certains types de récipients en verre, en vitrocéramique résistant à la chaleur, en céramique, en terre cuite ou en céramique vitrifiée peuvent être utilisés sur les brûleurs de la cuisinière. Ce type de récipients peut se casser sous l'effet de brusques changements de température. N'utilisez que des réglages de flamme bas ou moyen et respectez les indications du fabricant.

Ne faites pas chauffer de récipients fermés; la pression s'accumulant dans le récipient pourrait le faire éclater.

Lorsque vous cuisinez, réglez les boutons des brûleurs de sorte que la flamme ne chauffe que le fond du récipient sans déborder sur les côtés.

Évitez d'utiliser une flamme forte avec un récipient plus grand que la grille ou couvrant plusieurs brûleurs, comme une plaque, pendant une durée prolongée. Cela peut nuire à la combustion et produire des émanations dangereuses.

Veillez à ce que les courants d'air provenant de ventilateurs ou de bouches d'aération ne poussent pas de matériaux inflammables vers les flammes et n'atteignent pas les flammes, qui pourraient alors s'étendre au-delà des bords du récipient.

Utilisez toujours des récipients à fond plat suffisamment larges pour couvrir le brûleur. Les récipients trop petits laissent une partie de la flamme à découvert, ce qui peut enflammer des vêtements.

Les casseroles qui sont grandes, les plaques à biscuits, etc. ne doivent jamais être utilisées sur la surface de cuisson.

N'utilisez pas de produits d'entretien inflammables pour nettoyer la cuisinière.

Pour réduire les risques de brûlure, d'inflammation de matériaux inflammables et de renversements accidentels, placez les poignées des récipients vers l'intérieur pour qu'elles ne dépassent pas sur les plans de travail contigus, les zones de préparation ou le bord de la table de cuisson de la cuisinière.

Tenez la poignée du récipient pour l'empêcher de bouger quand vous brassez les aliments.

N'utilisez PAS de casseroles ou de poêlons sur le gril et la plaque.

N'utilisez pas la plaque de gril pour cuire des viandes très grasses ou des produits favorisant la production de flambées.

La table à découper en option doit être ôtée avant d'utiliser la plaque de cuisson ou les brûleurs avoisinants.

LA GRAISSE EST INFLAMMABLE. Laissez la graisse chaude refroidir avant de la nettoyer. Évitez de laisser les restes de graisse s'accumuler. Nettoyez après chaque usage.

Pour que les brûleurs s'allument et fonctionnent correctement, les orifices d'allumage doivent être propres. Nettoyez-les après un débordement ou si le brûleur ne s'allume pas uniformément avec l'allumeur électronique. Voir « Conseils de nettoyage » à la page 30..



AVERTISSEMENT :

Après un renversement ou une éclaboussure, éteignez le brûleur et nettoyez le pourtour et les orifices. Vérifiez le fonctionnement après le nettoyage.

Nettoyez la cuisinière avec précaution. Évitez les brûlures par la vapeur; n'utilisez pas d'éponge ou de chiffon mouillé pour nettoyer la cuisinière quand elle est chaude. Certains produits d'entretien dégagent des fumées toxiques s'ils sont appliqués sur une surface chaude. Suivez les indications fournies par le fabricant du produit d'entretien.

Assurez-vous que tous les boutons de la table de cuisson sont éteints et que la table de cuisson est froide avant d'utiliser un produit d'entretien en aérosol sur ou à proximité de celle-ci. Le produit chimique vaporisé peut, en présence de chaleur, prendre feu ou corroder les pièces métalliques.

Quand vous utilisez le four : **NE TOUCHEZ PAS À L'ÉLÉMENT DU GRILLOIR, AUX SURFACES INTERNES DU FOUR OU À LA ZONE EXTERNE ENTOURANT LA PORTE.** Les surfaces intérieures du four chauffent suffisamment pour causer des brûlures. Le déflecteur de chaleur, qui éloigne la chaleur de la table de cuisson et de

l'enjoliveur du dessus et des côtés de la porte du four, sera également chaud pendant l'utilisation du four.

Placez les grilles dans le four à la position voulue pendant qu'il est froid. Si vous devez déplacer une grille alors que le four est chaud, les ustensiles ne doivent pas entrer en contact avec le brûleur à infrarouges.

Soyez prudent quand vous ouvrez la porte du four; laissez l'air chaud et la vapeur s'échapper avant d'introduire ou de retirer les aliments.

Vous ne devez pas nettoyer, frotter, endommager, déplacer ni ôter le joint de la porte. Il est essentiel pour une bonne étanchéité pendant la cuisson. Si le joint est usé ou très sale, le remplacer pour assurer une bonne étanchéité.

N'OBSTRUEZ PAS le débit d'air de combustion ou de ventilation.

Pour des raisons de sécurité et pour ne pas endommager l'appareil, ne vous asseyez pas, ne montez pas et ne vous appuyez pas sur la porte du four.

Toutes les réparations doivent être effectuées par des techniciens agréés, qui devront déconnecter l'appareil de l'alimentation électrique avant de le réparer.

Assurez-vous de bien entendre le ventilateur de refroidissement lorsque le four est réglé sur les fonctions de grilloir ou de cuisson. Si le ventilateur ne marche pas, n'utilisez pas le four. Appelez votre Centre de service agréé pour réparation.

Pour éviter le risque d'incendie, il faut éviter l'accumulation de graisse en nettoyant la hotte et les filtres fréquemment.

En cas d'incendie ou si vous flambez intentionnellement des alcools sur la table de cuisson, suivez les instructions du fabricant de la hotte.

Faire attention en cuisinant avec de l'alcool (ex. : rhum, brandy, bourbon) dans le four. L'alcool s'évapore à de hautes températures, ce qui entraîne le risque que les vapeurs d'alcool puissent prendre feu dans le four. Utilisez seulement une petite quantité d'alcool avec les aliments et ouvrez la porte du four avec précaution.



AVERTISSEMENT :

Pour éviter les risques de brûlures ou d'incendie, un dosseret conçu spécifiquement pour la cuisinière doit être installé chaque fois que la cuisinière est utilisée.

Avis de sécurité important : La loi sur l'eau potable et les toxines de Californie (California Safe Drinking Water and Toxic Enforcement Act) requiert du gouverneur de la

Californie de publier une liste des substances reconnues par l'état comme pouvant causer le cancer, malformation ou autres problèmes de reproduction et demande aux compagnies d'aviser le consommateur d'une exposition potentielle à de telles substances.

Le brûlage de combustible de cuisson à gaz et l'élimination de la saleté pendant l'autonettoyage peuvent générer des sous produits pouvant être sur la liste. Afin de minimiser ces substances, toujours faire fonctionner l'appareil selon

les instructions données dans ce guide et assurer une bonne ventilation.

Ne rangez pas de produits, vapeurs chimiques corrosifs, inflammables, des produits non alimentaires près ou dans cet appareil, lequel est spécifiquement conçu pour réchauffer ou faire cuire des aliments. L'utilisation de produits chimiques corrosifs pendant la cuisson peut endommager l'appareil et causer des blessures.

Avant d'utiliser la cuisinière la première fois, vérifier ces pièces :

Tableau 1: Accessoires et pièces de cuisinière

DESCRIPTION	30po 4-brûleurs	36po avec grille	36po 6-brûleurs
Grilles de four	3	3	3
Lèchefrite en deux pièces	1	1	1
Chapeaux de brûleurs en étoile	4	4	6
Grille centrale	1		
Grilles de brûleurs	2	2	3
Boutons de commande	5	6	7
Plaque chauffante avec revêtement en aluminium		1	
Carte d'enregistrement du produit	1	1	1
Dosseret	1	*	*
Instructions d'installation	1	1	1
Guide d'utilisation et d'entretien	1	1	1

* Le dosseret doit être commandé séparément. Il sera expédié individuellement et n'est pas compris dans le colis d'expédition de la cuisinière.

Avant de commencer

Avant d'utiliser la cuisinière pour la première fois

Retirez tous les matériaux d'emballage et les étiquettes provisoires du four et de la table de cuisson.

1. Assurez-vous que vous avez tous les éléments énumérés à Tableau 1.
2. **Notez les numéros de modèle et de série à la page 37. Consultez la fiche signalétique.** Ces numéros peuvent être utilisés à des fins de contact avec le service à la clientèle. Notez-les également sur la carte d'enregistrement du produit fournie avec l'appareil et retournez cette dernière à l'adresse indiquée.
3. **Accessoires optionnels.** Plaque de gril, trousse de boutons noirs, planche à découper, couvercle de grille, anneau support pour wok et autres accessoires en vente chez votre détaillant Thermador.
4. **Placez correctement les grilles dans le four.** La position adéquate des grilles dépend de la recette et du mode de cuisson. Les positions des grilles dans le four sont numérotées de bas en haut, comme un ascenseur. La position n° 3 est la plus fréquemment utilisée. Introduisez les grilles à la position voulue avant d'allumer le four.

Introduisez les grilles comme suit :

- a) Tenez la grille par la barre arrière en position verticale en direction du fond du four. Glissez-la dans le four de manière à ce que les barres se trouvent entre la grille et les glissières des grilles.
 - b) Soulevez légèrement l'avant de la grille quand vous la glissez dans le four pour que les butées de sûreté passent derrière les glissières. Les butées de sûreté placées à l'arrière des grilles les empêchent de sortir complètement du four quand on les tire vers l'extérieur.
5. **Assurez-vous que les chapeaux des brûleurs sont bien posés dans les bases sur la table de cuisson.**

Allumez chaque brûleur pour vérifier la couleur de la flamme. Consultez la page 14 pour plus de détails.

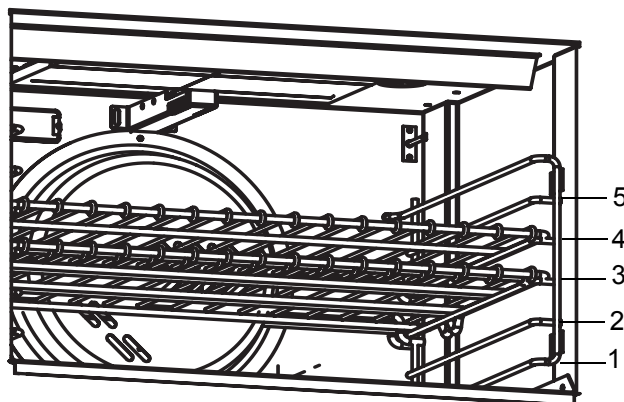


Figure 1 : Positions des grilles dans le four



MISE EN GARDE :

N'utilisez jamais de papier d'aluminium pour recouvrir les grilles du four ou garnir le four. N'enlevez pas le brûleur à infrarouge du four à gaz.

Avant de cuire ou griller pour la première fois, le four et le grilloir doivent être allumés pour brûler les graisses utilisées lors de la fabrication de l'appareil. Allumez le four à une température de 230 °C (450 °F) de 20 à 30 minutes; placez ensuite le bouton à **BROIL** pour une même durée. Vous pouvez mettre la hotte en marche pendant ce temps. Il est à noter qu'il est normal qu'une petite quantité de fumée soit visible de la cuisinière au moment de la première utilisation.

Veillez lire « Entretien et nettoyage » à la page 30 avant de nettoyer les grilles du four.

Description

Identification du modèle et des pièces — Cuisinière 36 po

Légende du modèle 36 po

1. Plaque de protection à étagère de casserole 55,9 cm (22"), bas 9 po ou garniture d'îlot encastrée (Étagère pour casserole et dossier bas vendus séparément)
2. Grilles de brûleurs et brûleurs
3. Bouton de commande, brûleurs ExtraLow® (2)
4. Boutons de commande et brûleurs standards (4)
5. Sélecteur de température du four
6. Sélecteur de température du four
7. Porte du four
8. Hublot
9. Base
10. Pieds (4)

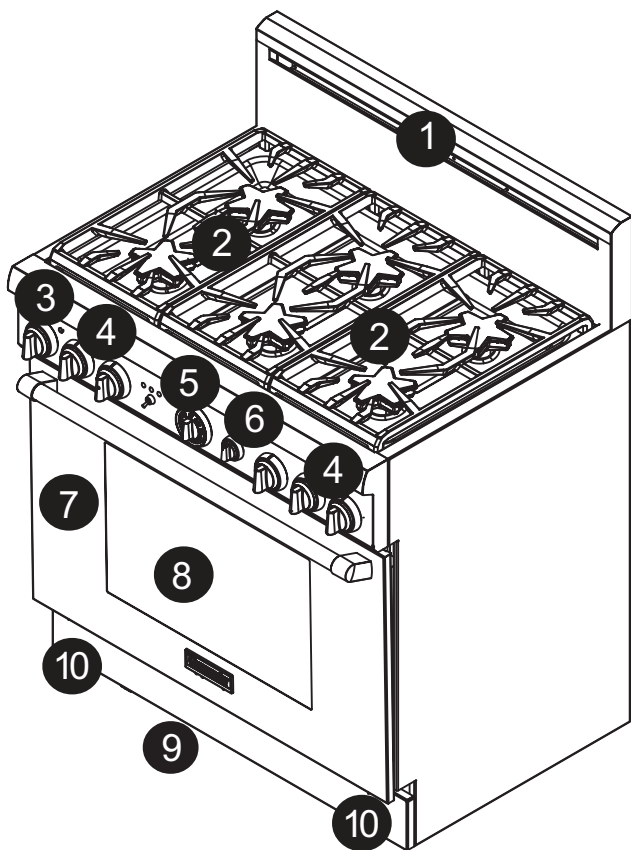


Figure 2 : Modèle 36"



AVERTISSEMENT :

Pour assurer une bonne ventilation de la cuisinière, n'enlevez PAS les pieds.

- 11) Éclairage
- 12) Élément du grilloir
- 13) Capteur thermostat du four
- 14) Guides de grilles
- 15) Grilles coulissantes (3)
- 16) Brûleur de cuisson dissimulé
- 17) Couvercle de ventilateur à convection
- 18) Allumeur de grill

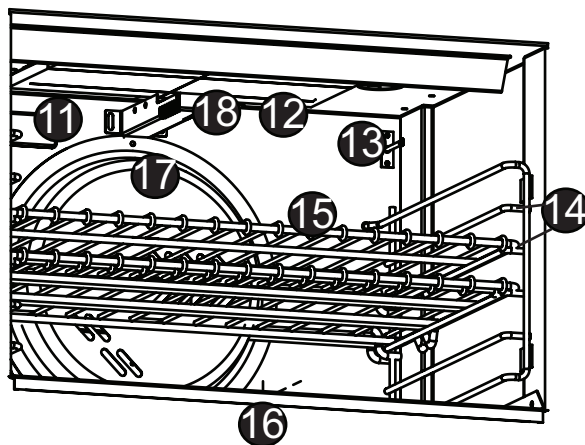


Figure 3 : Intérieur du four à gaz

Identification du modèle et des pièces — Cuisinière 30 po

Légende du modèle 30 po

1. Dossieret bas 6 po - illustré (Garniture d'îlot ou plaque de protection à étagère de casserole commandé séparément)
2. Grilles de brûleurs et brûleurs
3. Grille centrale
4. Boutons de commande, brûleurs ExtraLow® (2)
5. Boutons de commande, brûleurs standards (2)
6. Sélecteur de température du four
7. Sélecteur de température du four
8. Porte du four
9. Hublot
10. Base
11. Pieds (4)

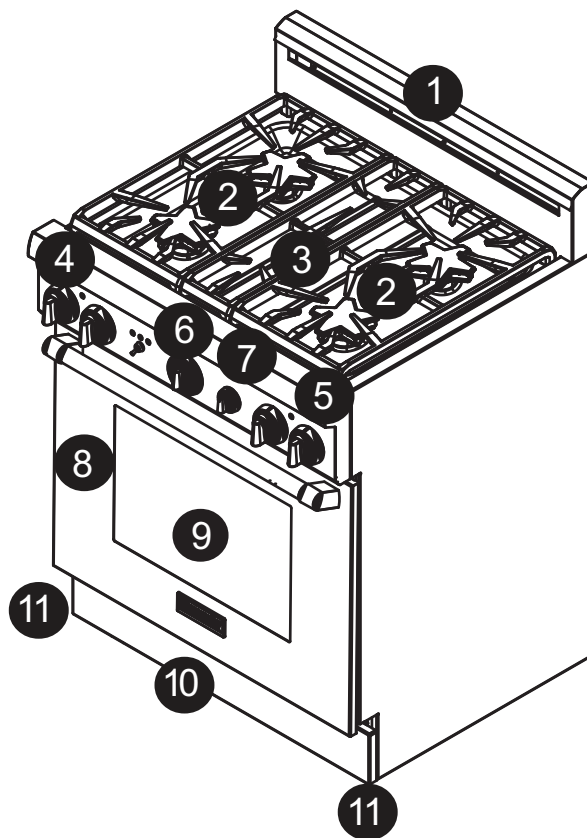


Figure 4 : Modèle 30 po



AVERTISSEMENT :

Pour assurer une bonne ventilation de la cuisinière, n'enlevez PAS les pieds.

Intérieur du four à gaz

Voir Figure 3.

Utilisation de la cuisinière

Brûleurs Star® scellés

Cette nouvelle cuisinière est dotée de brûleurs Star® scellés. Il n'y a pas de pièces de brûleur sous la surface de cuisson à nettoyer, démonter ou régler. La table de cuisson comporte quatre ou six brûleurs à gaz ; chacun d'eux a une puissance de 15 000 BTU/h (13 000 BTU/h avec gaz propane). Ces brûleurs sont hermétiquement encastrés dans le cadre supérieur en acier inoxydable afin d'empêcher l'accumulation des liquides renversés sous la surface de cuisson et de faciliter le nettoyage. Les brûleurs sont montés sur une base de forme unique, ce qui facilite le nettoyage de l'assemblage de brûleurs. Pour tous les modèles, les deux brûleurs gauches sont dotés de la fonction exclusive ExtraLow, les autres brûleurs sont standards. À chacun des brûleurs correspond un bouton de commande.

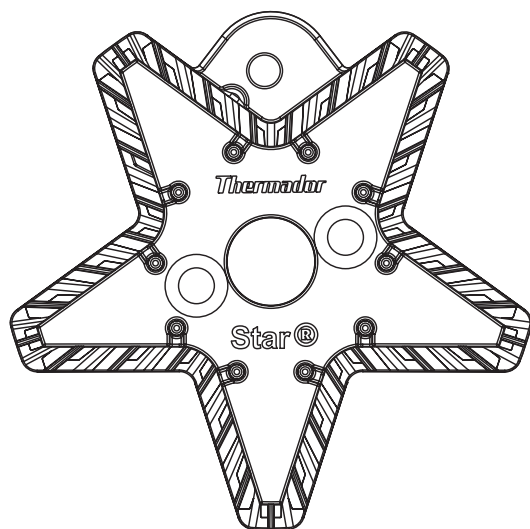


Figure 5 : Base de brûleur Star® en laiton

Boutons de commande

Les boutons de commande des deux brûleurs avant et arrière, hermétiquement encastrés, sont placés sur le panneau de commandes de la partie frontale de la cuisinière.

Le symbole au-dessus de chaque bouton identifie soit la position du brûleur sur la surface de cuisson ou le contrôle de la grille, selon le modèle.

Brûleur ARRIÈRE
GAUCHE :



Brûleur AVANT
DROIT :



Brûleur ARRIÈRE
CENTRAL :



Brûleur AVANT
CENTRAL :



Brûleur ARRIÈRE
DROIT :



Brûleur AVANT
DROIT :



GRILLE :



Indicateur de réglage

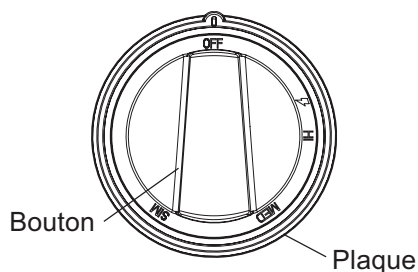


Figure 6 : Bouton de commande de brûleur standard

Fonctionnement des brûleurs

- Pousser sur le bouton et tourner dans le sens horaire pour le réglage ⚡.
- L'allumeur pour le brûleur sélectionné fait un clic et une étincelle.
- fois le brûleur allumé, l'allumeur cesse de faire un clic.
- Tourner le bouton à tout réglage de flamme entre **HI** et **SIM**.
- Le voyant bleu, entre les boutons de brûleurs, s'allume lorsque le brûleur adjacent est allumé. Le voyant reste allumé jusqu'à ce que le brûleur adjacent soit éteint.

BTU des brûleurs standards

- **HI** est équivalent à 15 000 BTU/h (13 000 BTU/h avec propane).
- **SIM** est équivalent à 2 100 BTU/h.

BTU des brûleurs ExtraLow®

- **HI** est équivalent à 15 000 BTU/h (13 000 BTU/h avec propane).
- **SIM** est équivalent à 3 000 BTU/h.
- **XLO** est équivalent à 370 BTU/h.

Brûleurs ExtraLow®

La commande pour les deux brûleurs gauches, avant et arrière, est dotée de réglages de flamme encore plus bas que les réglages standards pour mijoter.

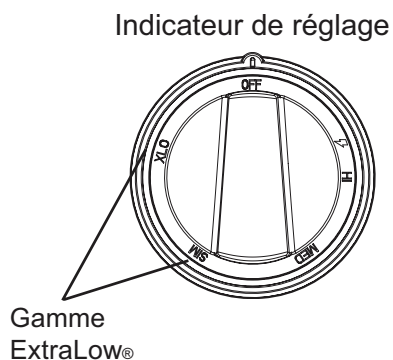


Figure 7 : Bouton de commande de brûleur ExtraLow®

Le dessin montre la gamme supplémentaire de réglage du bouton entre les repères **SIM** et **XLO**. Lorsque le bouton est placé sur cette gamme, la flamme s'allume et s'éteint. La modification des durées pendant lesquelles la flamme reste allumée/éteinte permet de réduire davantage la

quantité de chaleur et de cuire des aliments délicats. Le réglage très bas est utile pour faire mijoter, pocher, fondre du chocolat et du beurre, maintenir la température des plats préparés sans qu'ils roussissent ou brûlent, etc.

Fonctionnement de brûleur ExtraLow®

- **XLO**, le réglage le plus bas, fonctionne par cycles d'une minute avec alternance de flamme allumée pendant environ 8 secondes suivies d'environ 52 secondes de flamme éteinte.
- Lorsque le bouton est réglé juste en dessous du repère **SIM**, la flamme reste allumée pendant environ 52 secondes et s'éteint pendant environ 8 secondes.
- Pour adapter le degré de chaleur aux aliments et à leur quantité, il est possible de régler le bouton à n'importe quelle position dans l'intervalle entre **SIM** et **XLO** indiqué sur le bouton.

Techniques ExtraLow

- Le type et la quantité d'aliments déterminent le réglage à utiliser.
- Le réglage est également déterminé par le type de récipient choisi. Ses dimensions, sa forme, le matériau et l'utilisation ou non d'un couvercle sont des facteurs qui influent sur l'homogénéité de la température de cuisson.
- Pour maintenir une chaleur basse ou pour faire mijoter, portez les aliments à ébullition. Remuez bien, couvrez le récipient puis baissez le réglage en plaçant le bouton juste en dessous de **SIM**.
- Vérifiez régulièrement s'il est nécessaire de modifier le réglage.
- Si vous utilisez un récipient surdimensionné, vos aliments mijoteront principalement au centre de celui-ci. Pour homogénéiser la température d'ensemble, remuez pour ramener les aliments se trouvant sur les bords vers le centre.
- Quand un plat mijote, il est normal de le brasser de temps à autre, surtout s'il doit mijoter pendant plusieurs heures comme par exemple des haricots ou une sauce à spaghetti maison.
- Quand vous baissez le réglage de la flamme, faites-le peu à peu.
- Si le réglage est trop bas pour faire mijoter, portez de nouveau à ébullition avant de ramener le bouton à un réglage plus fort.
- Il est normal de ne pas voir de bulles à la surface après avoir remué les aliments.
- Il peut y avoir des bulles quand la flamme est allumée, qui disparaissent quand elle est éteinte. Même quand elle est éteinte, de la vapeur et un léger frémissement seront perceptibles à la surface du liquide.

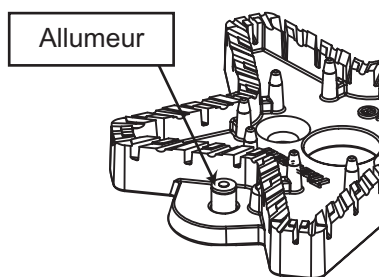


Figure 8 : Allumeur

Chaque brûleur comporte son propre allumeur électronique qui produit des étincelles lorsque le bouton du brûleur est en position allumé. Les brûleurs doivent s'allumer en 4 secondes ou moins. Si le brûleur ne s'allume pas, assurez-vous que le chapeau est correctement posé sur sa base.



AVERTISSEMENT :

Ne touchez pas les brûleurs pendant que les allumeurs produisent des étincelles.

Si un brûleur ne s'allume pas, consultez le chapitre « Avant d'appeler le service technique », à la page 36.

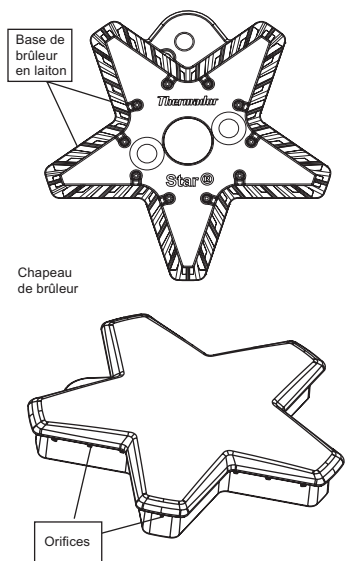


Figure 9 : Éléments de brûleurs Star®

Mise en place du capuchon du brûleur

Les capuchons de brûleurs doivent être mis en place adéquatement sur la base de brûleur afin que la surface de cuisson fonctionne de façon appropriée. Si le capuchon est mal placé, un ou plusieurs problèmes peuvent survenir.

- Flamme trop élevée.
- Flamme dépassant le brûleur.
- Brûleur ne s'allumant pas.
- Flamme non uniforme.
- Brûleur ayant une odeur de gaz.



AVERTISSEMENT :

Pour éviter le flambage et la création de sous-produits dangereux, ne pas utiliser la surface de cuisson sans que tous les capuchons de brûleurs ne soient en place de façon appropriée.



AVERTISSEMENT :

Pour éviter les brûlures, ne pas toucher aux capuchons de brûleurs ni aux grilles pendant qu'ils sont chauds. Mettre la surface de cuisson hors circuit et laisser les brûleurs refroidir.

Vérification de la mise en place du capuchon de brûleur

- Vérifier chaque brûleur afin de s'assurer qu'il n'y a pas d'espace entre le capuchon et la base du brûleur. Voir les figures 10 et 11 ; emplacement correct et incorrect du capuchon de brûleur, pour des exemples d'emplacements appropriés ou non.
- L'on peut bouger délicatement le capuchon d'un côté à l'autre pour vérifier s'il est adéquatement positionné sur la base du brûleur. Lorsque bien en place, chaque capuchon repose à plat sur le dessus de la base du brûleur et couvre complètement la forme en étoile de la base, lorsque vu de dessus, figure 10 ; emplacement correct du capuchon de brûleur..

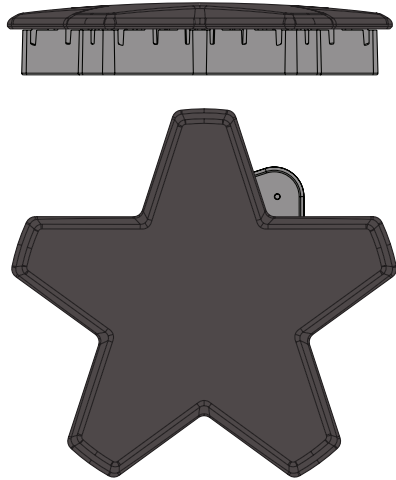


Figure 10 : Emplacement correct du capuchon de brûleur

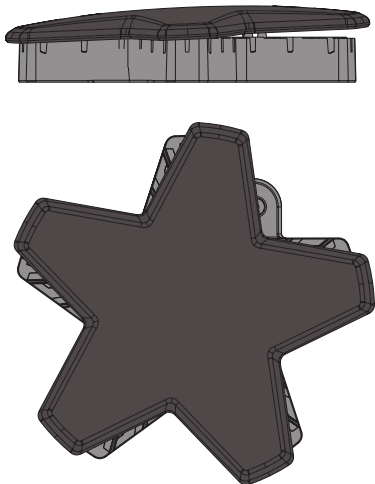


Figure 11 : Emplacement incorrect du capuchon de brûleur

Rallumage automatique

Si un ou plusieurs brûleurs s'éteignent, l'allumeur électronique produit automatiquement des étincelles pour rallumer la flamme. **Ne touchez pas aux brûleurs pendant que les allumeurs produisent des étincelles.**


Important :

- Pour assurer une bonne combustion, n'utilisez pas la table de cuisson sans les grilles des brûleurs.
- L'allumage et la combustion du gaz produisent un petit bruit qui est tout à fait normal.

- Sur les cuisinières alimentées par du gaz propane, il est possible d'entendre un petit « pop » au niveau des orifices du brûleur quelques secondes après l'avoir éteint.

Panne de courant

- En cas de panne de courant, seuls les brûleurs standard peuvent être allumés manuellement. Chacun d'eux doit être allumé individuellement.
- Si une panne de courant survient pendant que vous utilisez la cuisinière, tournez tous les boutons à la position **OFF**.
- Vous ne pouvez pas allumer les brûleurs standards en approchant une allumette enflammée près des orifices

et en tournant le bouton à la position . Attendez que la flamme soit allumée tout autour du chapeau du brûleur avant de la régler à la hauteur voulue.

- Le brûleur ExtraLow ne peut être utilisé pendant une panne de courant. **Assurez-vous de le mettre hors circuit.**
- Si le brûleur ExtraLow est allumé pendant une panne de courant, il ne peut être remis en circuit tant que les boutons ne sont pas réglés à la position **OFF**.
- La plaque chauffante ne peut pas être utilisée pendant une panne de courant.
- Si vous détectez une odeur de gaz, consultez les consignes de sécurité figurant à l'intérieur de la couverture.



AVERTISSEMENT :

En cas de panne de courant, ramenez tous les boutons à la position **OFF**. Seuls les brûleurs standards peuvent être allumés manuellement.

Hauteur de la flamme

- La hauteur correcte de la flamme dépend : 1) de la taille et du matériau du récipient utilisé; 2) des aliments à cuire; et 3) de la quantité de liquide se trouvant dans le récipient.
- La flamme ne doit pas dépasser le fond du récipient.
- Utilisez une flamme basse ou moyenne pour les récipients dont le matériau conduit lentement la chaleur, comme l'acier revêtu de porcelaine ou la vitrocéramique.

Description de la flamme

- La flamme des brûleurs doit être de couleur bleue, sans jaune aux extrémités. On y observe parfois de l'orange : cela indique que des impuretés dans le gaz sont en train de se consumer. Elles disparaîtront avec l'usage.

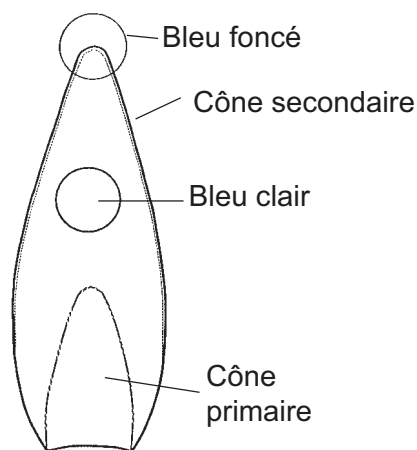


Figure 12 : Couleur de la flamme

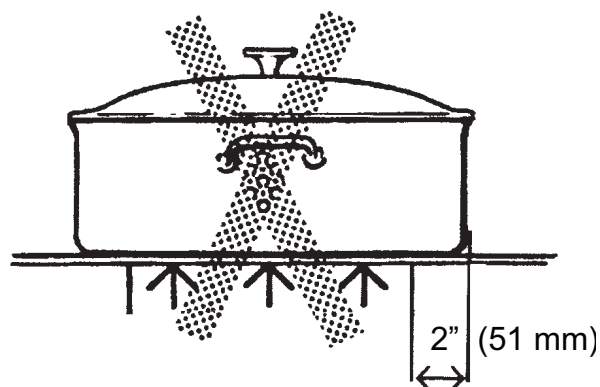


Figure 13 : Diamètre de la base

- Avec le gaz propane, il est normal qu'il y ait un peu de jaune sur le cône primaire.
- La flamme doit brûler tout autour du chapeau du brûleur. Si ce n'est pas le cas, assurez-vous que le chapeau est bien posé et que les orifices ne sont pas bouchés.
- La flamme doit être stable, ne pas voltiger ni faire de bruit excessif.

- Choisissez une base d'un diamètre correspondant au diamètre de la flamme. Le diamètre de la flamme doit être le même que celui de la base du récipient ou légèrement plus petit. Des récipients surdimensionnés ou sous-dimensionnés nuisent aux résultats de la cuisson. Une base d'un diamètre de 14 cm (5-1/2") est généralement la plus petite taille conseillée.



AVERTISSEMENT :

Le brûlage de combustible d'un appareil à gaz peut créer de petites quantités de monoxyde de carbone, de benzène, de formaldéhyde et de suie. Afin de minimiser l'exposition à ces substances, les brûleurs doivent être réglés par un installateur certifié ou un centre de service qualifié en vue d'assurer une combustion appropriée. S'assurer d'une ventilation adéquate par une fenêtre ouverte ou utiliser un ventilateur ou une hotte pour la cuisson au gaz. Toujours actionner l'appareil selon les instructions données dans ce guide.



Figure 14 : Récipient stable

Récipients recommandés



AVERTISSEMENT :

Pour éviter le risque de dommages sérieux, les dommages à l'appareil ou le cookware, observent ce qui suit :

- Les grands récipients, tôles à biscuits, etc. ne doivent pas être utilisés sur la surface de cuisson.
- Placez les grandes casseroles de façon décalée au moment d'utiliser la surface de cuisson.

- L'assise du récipient est un facteur important de stabilité et d'homogénéité de la cuisson. La poignée ne doit pas être plus lourde que le récipient, car elle l'inclinerait. Le récipient doit reposer bien à plat sur la grille sans se balancer ni être instable.
- Une base lourde et plate ne se déformera pas en chauffant. Les fonds de récipients faussés, bosselés, striés ou trop légers ne chaufferont pas uniformément. Faites chauffer et refroidir progressivement les récipients afin d'éviter les brusques changements de température qui tendent à les déformer. N'ajoutez pas d'eau froide dans un récipient chaud.
- Les aliments enveloppés de papier aluminium ne doivent pas être placés directement sur la grille du brûleur. L'aluminium peut fondre pendant la cuisson.
- Ne pas laisser le plastique, papier ou chiffon entrer en contact avec la grille chaude du brûleur. Ils peuvent fondre ou prendre feu.

- Ne jamais laisser une casserole cuire à sec. Ceci peut endommager la casserole et la surface de cuisson.
- Des récipients de qualité professionnelle à poignées métalliques sont recommandés, car les poignées en plastique risquent de fondre ou de se déformer si la flamme dépasse du récipient. Les récipients de qualité professionnelle sont en vente dans les magasins de fournitures pour restaurant et dans les boutiques gastronomiques. Tous les récipients utilisés doivent posséder les caractéristiques suivantes : bonne conductivité de la chaleur, bonne assise, diamètre de la base correctement dimensionné, base lourde et plate, et couvercle bien adapté.
- Pour de meilleurs résultats de cuisson, la flamme doit être contenue sous le fond de la casserole
- L'aluminium et le cuivre sont des matériaux qui conduisent la chaleur rapidement et de façon homogène. Ces métaux se trouvent parfois sur le fond des récipients ou peuvent être insérés entre des couches d'acier inoxydable.

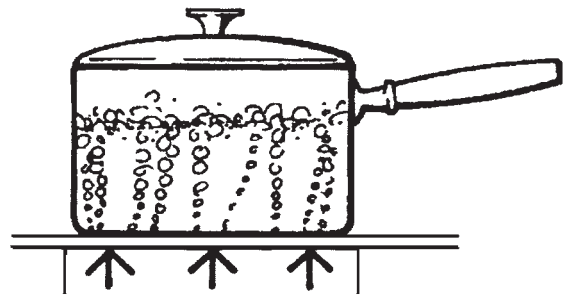


Figure 16 : Récipient avec couvercle

Récipients pour spécialités

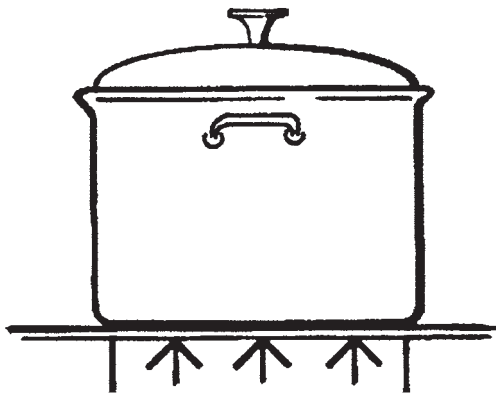


Figure 15 : Récipient à base plate

- Une base plate et lourde est mieux conçue pour demeurer plate lorsque chauffée. Les bases de casseroles voilées, trop légères, ondulées ne chauffent pas de façon uniforme. Chauffer et refroidir les casseroles de façon graduelle pour éviter les changements soudains de température qui peuvent déformer les casseroles. Ne pas ajouter d'eau froide dans une casserole chaude.

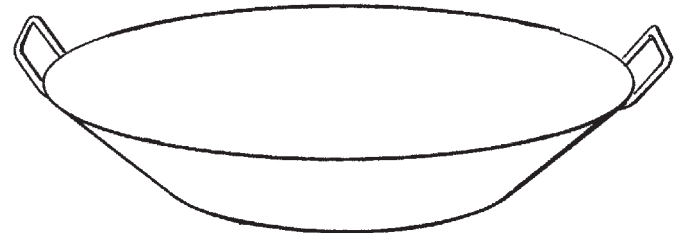


Figure 17 : Wok à fond plat

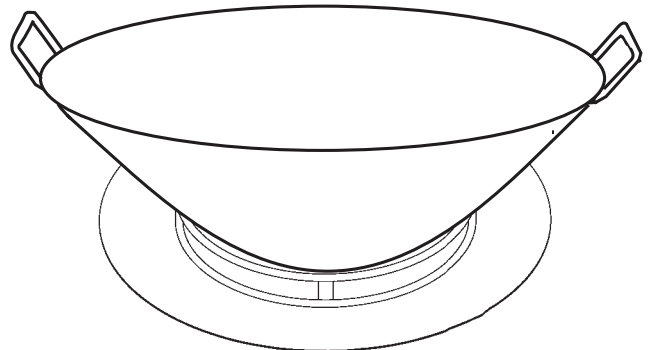


Figure 18 : Wok à fond rond dans son anneau de support

- **Woks** — Les woks à fond plat ou rond avec l'accessoire de support en forme d'anneau peuvent être utilisés sur les modèles de cuisinière sans brûleur pour wok incorporé. L'anneau de support doit être

utilisé avec les woks à fond rond. L'anneau de support de wok en fonte émaillée est vendu séparément.

- **Cocottes et marmites** — Choisissez une base d'au maximum 51 mm (2") de plus que le diamètre du foyer.

Cocotte de dimensions standards

19,95 à 20,9 litres (42 à 44 pintes), avec une base de 279 à 305 mm (11 à 12") et une hauteur de 229 à 279 mm (9 à 11").

Cocotte-minute de dimensions standards

7,6 à 20,9 litres (16 à 44 pintes), avec une base de 20,3 à 27,9 cm (8 à 11") et une hauteur de 165 à 305 mm (6,5 à 12").

Conseils d'utilisation :

- Il est préférable d'utiliser un récipient à fond plat plutôt qu'à fond concave, convexe ou ondulé.
- Si vous utilisez deux cocottes en même temps, placez-les sur des brûleurs décalés. Ne bloquez pas la circulation d'air autour des brûleurs. La flamme a besoin d'une quantité d'air suffisante pour bien brûler.
- Mettez un couvercle sur la cocotte pour porter son contenu à ébullition.

- Quand le contenu bout avec le bouton à **HI**, baissez la flamme le plus possible pour maintenir à ébullition ou conserver la pression.
- La cuisson à la cocotte produit de grandes quantités de vapeur. Prenez garde aux brûlures.

Recommandations de cuisson

Suggestions d'utilisation des recommandations

Guidez-vous avec les indications du tableau des page 16 à page 19. Les réglages à utiliser dépendent des ustensiles choisis et de la température initiale des aliments.

Dans le tableau, le « Réglage final » a été divisé entre brûleurs standards et brûleurs ExtraLow. Selon le cas, ce réglage sera identique ou différent.

Le réglage ExtraLow peut être un réglage de cuisson ou de maintien de température.

Augmentez ou diminuez la flamme progressivement. Laissez le temps au récipient et aux aliments de s'adapter au nouveau réglage.

Conseils de cuisson avec les brûleurs de la table de cuisson

Aliments	Réglage initial	Réglage final brûleurs standards	Réglage final brûleurs ExtraLow®
BOISSOONS Cacao	MED – Chauffer le lait, couvrir	SIM – Finir de chauffer	XLO – Maintenir au chaud, couvrir*
PAIN Pain doré, crêpes,, sandwiches grillés	MED – Préchauffer le poêlon	SIM à MED – Cuire	Identique aux brûleurs standards
BEURRE À fondre	SIM - pour faire fondre		Laisser fondre pendant 5 à 10 minutes
CÉRÉALES Semoule de maïs Gruau, avoine	HI – Couvrir, porter l'eau à ébullition, ajouter les céréales	SIM à MED – Finir la cuisson selon les instructions sur l'emballage.	Identique aux brûleurs standards XLO – Pour maintenir la température, couvrir*
CHOCOLAT À fondre	XLO - pour mélanger afin de faire fondre		XLO – Laisser fondre pendant 10 à 15 minutes. XLO – Pour maintenir la température*

*Il est recommandé de tourner de temps en temps ces aliments.

Aliments	Réglage initial	Réglage final brûleurs standards	Réglage final brûleurs ExtraLow®
DESSERTS Bonbons	SIM à MED – Cuire selon la recette	SIM à MED	Identique aux brûleurs standards
Pouding et Mélange pour garniture à tarte	SIM à MED SIM - Suivre les indications sur l'emballage	SIM	Identique aux brûleurs standards
Pouding	SIM à MED SIM – Faire bouillir le lait	SIM	Identique aux brûleurs standards
ŒUFS À la coque	MED HI – couvrir les œufs avec l'eau, couvrir, porter l'eau à ébullition		XLO – 3 à 4 minutes pour œufs mollets; 15 à 20 minutes pour œufs durs
Frits, brouillés	SIM à MED – Faire fondre le beurre, ajouter les œufs	SIM - Finir la cuisson	Identique aux brûleurs standard
Pochés	HI – Porter à ébullition, ajouter les œufs	SIM à MED – Finir la cuisson	Identique aux brûleurs standards
VIANDE, POISSON, VOLAILLES Bacon, Saucisses, galettes	MED HI – Jusqu'à ce que la viande commence à grésiller	SIM à MED – Finir la cuisson	Identique aux brûleurs standards
Braiser : steak suisse, rôti à la cocotte, ragoût	MED HI – Faire fondre la graisse, faire revenir entre MED HI , ajouter du liquide, couvrir		XLO - Laisser mijoter jusqu'à ce que la viande soit tendre
Grillade rapide au poêlon; steaks pour déjeuner	MED HI – Préchauffer le poêlon	MED HI – Passer rapidement à la poêle	Identique aux brûleurs standards
Grillade : poulet	MED HI – Faire chauffer l'huile puis faire dorer sur MED	SIM – Couvrir, finir la cuisson	Identique aux brûleurs standards
Friture : crevettes	MED HI – Faire chauffer l'huile	MED à MED HI – Pour maintenir la température	Identique aux brûleurs standards
Grillade au poêlon : côtelettes d'agneau, steaks minces, hamburgers, saucisses en chapelet	MED HI – Préchauffer le poêlon	MED – Passer rapidement à la poêle	Identique aux brûleurs standards XLO – Pour maintenir la chaleur
Pocher : poulet, entier ou morceaux, poisson	MED HI – Couvrir, porter à ébullition		Pour achever la cuisson.
Faire mijoter : poulet à l'étouffée, corned-beef, langue, etc.	HI – Couvrir, porter le liquide à ébullition		XLO – pour mijoter XLO – Pour maintenir la chaleur, couvrir
PÂTES Macaronis, nouilles, spaghettis	HI – Porter l'eau à ébullition, ajouter les pâtes	MED à MED HI – Pour maintenir à ébullition	Identique aux brûleurs standards
MAÏS SOUFLÉ (Utilisez une casserole lourde à fond plat)	HI – Couvrir, chauffer jusqu'à ce que les grains commencent à éclater	MED HI – Finir la cuisson	Identique aux brûleurs standards

*Il est recommandé de tourner de temps en temps ces aliments.

Aliments	Réglage initial	Réglage final brûleurs standards	Réglage final brûleurs ExtraLow®
COCOTTE-MINUTE Viande	MED HI à HI – build up pressure	SIM à MED – maintenir pressure	Identique aux brûleurs standards
Légumes	HI – build up pressure	SIM à MED – maintenir pressure	Identique aux brûleurs standards
RIZ	HI – Couvrir, porter l'eau et le riz à ébullition.	SIM pour maintenir un gril faible Couvrir et faire cuire jusqu'à ce que l'eau soit absorbée.	Identique aux brûleurs standards XLO – Pour maintenir la chaleur, couvrir
SAUCES Sauce tomate	MED HI – Cuire la viande/ les légumes selon la recette	SIM pour cuire doucement	XLO – Laisser mijoter (pour faire épaissir la sauce, non couvert)
Sauce blanche, à la crème, béarnaise	MED – Faire fondre la graisse, suivre la recette	SIM – Finir la cuisson	XLO – Pour maintenir la chaleur, couvrir*
Sauce hollandaise	XLO		XLO – pour garder à un réglage pas pendant une courte période et brasser fréquemment
SOUPES, BOUILLONS	HI – Couvrir, porter à ébullition	SIM pour cuire doucement	Simmer XLO – Pour maintenir la chaleur, couvrir*
LÉGUMES Frais	HI – Couvrir, porter à ébullition l'eau et les légumes	MED SIM à MED – Laisser cuire entre 10 minutes ou jusqu'à ce que les légumes soient tendres	Identique aux brûleurs standards XLO – Pour maintenir la chaleur, couvrir
Congelés	HI – Couvrir, porter à ébullition l'eau et les légumes	SIM à MED – Faire cuire selon les instructions du paquet	Identique aux brûleurs standards
Friture	HI – Faire chauffer l'huile	MED à MED HI – Pour maintenir la température de friture	Identique aux brûleurs standards
En sachet	HI – porter l'eau et le sachet à ébullition	SIM à MED – Faire cuire selon les instructions du sachet	Identique aux brûleurs standards
Sautés	MED HI – Faire chauffer l'huile ou fondre le beurre, ajouter les légumes	SIM à MED – Laisser cuire jusqu'au point de cuisson voulu	Identique aux brûleurs standards
Revenus à la poêle	HI – Faire chauffer l'huile, ajouter les légumes	MED a MED HI – Finir la cuisson	Identique aux brûleurs standards

*Il est recommandé de tourner de temps en temps ces aliments.

Concernant la grille électrique

Description

(Disponible avec certains modèles)

La plaque chauffante intégrée est fabriquée en aluminium de qualité restaurant enduit d'un revêtement antiadhésif. Ceci produit une surface avec chaleur uniforme facile à nettoyer. Une planche à découper en érable, un couvercle en acier inoxydable, et une plaque de gril avec revêtement en aluminium sont disponibles comme accessoires et peuvent être achetés séparément. La planche à découper en érable et le couvercle en acier inoxydable sont conçus pour s'ajuster à la surface lorsque la plaque n'est pas utilisée. La plaque de gril avec revêtement en aluminium est conçue pour remplacer la plaque chauffante. Consultez les instructions de la plaque de gril pour de plus amples détails.

La planche à découper et le couvercle doivent être enlevés avant d'utiliser la plaque.

- L'élément de la plaque est cotée à 120 VAC, 1 600 watts.



ATTENTION

La plaque est chaude après usage. Laissez-la refroidir complètement avant de la nettoyer.

Bouton de commande

- La plaque est contrôlée électroniquement à l'aide des températures indiquées sur les boutons (150°F à 500°F).
- Il n'y a pas de réglages fixes sur les boutons.
- Appuyez et tournez les boutons dans le sens horaire au réglage de température.

Grille

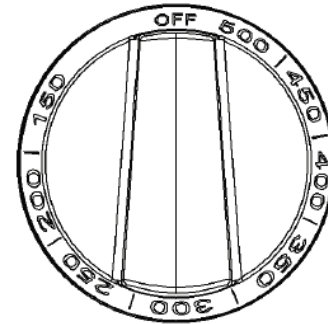


Figure 19 : Bouton de commande de la plaque électrique

Préparation de la plaque

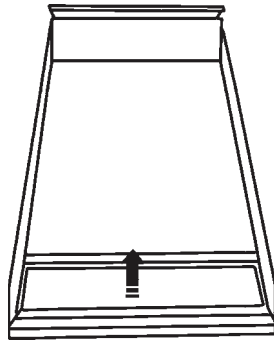
La plaque doit être légèrement inclinée vers l'avant pour un rendement optimal. Consultez le guide d'installation pour vérifier et régler l'inclinaison appropriée. Pendant l'installation, l'installateur est responsable de mettre l'appareil de niveau. La plaque doit être lavée à l'eau chaude savonneuse, puis rincée à l'eau claire. La plaque peut être utilisée sans beurre, margarine ou huile. Toutefois, une petite quantité peut être utilisée pour donner de la saveur aux aliments.

Tous les types d'ustensiles peuvent être utilisés sur la plaque.

Attention de ne pas endommager la surface avec les ustensiles.

Plateau à graisse de la plaque

- Pousser le plateau sous le bord avant du rebord du gril pour recueillir la graisse et les autres résidus.
- Nettoyer le plateau à chaque usage. Lorsque vous enlevez le plateau, faites attention au moment de l'incliner pour que le contenu ne se déverse pas (voir illustration).
- Une fois refroidie, versez la graisse dans un contenant imperméables aux graisses pour la jeter.



Pour enlever le plateau, faites glisser et soulevez

Figure 20 : Plateau à graisse de la plaque

Cuisson sur la plaque

1. Assurez-vous que le plateau à graisse est sous la plaque.
2. Tournez le bouton à la température de cuisson pour préchauffer.
3. Préchauffez de 10 à 12 minutes.
4. Ajoutez du beurre, de la margarine ou de l'huile si désiré.

AVIS :

Le rendement de la plaque chauffante ou du gril peut varier si la circulation d'air près de l'appareil est trop élevée. La circulation d'air excessive pourrait provenir d'un ventilateur de plafond ou d'un registre de climatisation soufflant sur la surface de cuisson. Cela pourrait prolonger le temps d'échauffement ou faire en sorte que la température de la plaque chauffante ou du gril ne corresponde pas à ce que le réglage des boutons de commande indique.

Remarques :

Une hotte de ventilation dûment installée n'est pas considérée comme une source de circulation d'air excessive.

Recommandations de cuisson sur la plaque chauffante

ALIMENTS	RÉGLAGE
Œufs	325°F à 350°F (160°C à 180°C)
Bacon; saucisses déjeuner	375°F à 400°F (190°C à 200°C)
Sandwiches toastés	350°F à 375°F (180°C à 190°C)
Poitrines de poulet désossées	375°F à 400°F (190°C à 200°C)
Cotelettes de porc de 1,27 cm(1/2")	375°F à 400°F (190°C à 200°C)
Steak, 1po d'épaisseur	400°F à 425°F (200°C à 220°C)
Galettes de bœuf haché (6 onces)	375°F à 400°F (190°C à 200°C)
Hot Dogs	350°F à 375°F (180°C à 190°C)
Tranches de jambon de 1,27 cm(1/2")	350°F à 375°F (180°C à 190°C)
Crêpes; pain doré	375°F à 400°F (190°C à 200°C)

Utilisation de la table de cuisson

Cuisson au four

Conseils d'utilisation pour cuisson

Préchauffage

Préchauffez le four avant de faire cuire des aliments, sauf pour les grosses pièces de viande ou de volaille. Suivez les indications de votre recette pour le préchauffage. Le temps de préchauffage dépend du réglage de la température et du nombre de grilles placées dans le four.

Optimisation des résultats

- Réduisez au maximum le temps d'ouverture de la porte
 - Utilisez une minuterie.
 - Utilisez l'éclairage à l'intérieur du four.
- Choisissez un ustensile de taille adéquate; utilisez le récipient recommandé dans la recette.
- Sortez les lèchefrites du four. Une lèchefrite sans aliments nuira au dorage et à la cuisson.
- Le dorage dépend du type d'ustensile utilisé :
 - Pour obtenir des croûtes tendres, légèrement dorées, utilisez des ustensiles antiadhésifs/anodisés ou en métal brillant.
 - Pour des croûtes croustillantes plus dorées, utilisez des ustensiles métalliques noirs antiadhésifs/anodisés ou noirs étamés ou encore en verre convenant aux fours. La température de cuisson requise pourra être abaissée de 14 °C (25 °F).

Plats pour le four

- Plats en métal (avec ou sans revêtement antiadhésif), en verre résistant à la chaleur, en vitrocéramique, en terre cuite ou autres ustensiles allant au four.
- Les tôles de four adaptées ont petit rebord d'un seul côté. Les tôles épaisses ou celles qui ont plus d'un côté peuvent modifier le temps de cuisson.

Grilles de four coulissantes

Cette cuisinière Thermador est dotée de 3 grilles coulissantes pouvant être tirées et poussées dans le four avec un minimum d'effort, même avec une grosse dinde ou un gros rôti. S'il s'agit d'un modèle 48 po, le second four est doté de 2 grilles coulissantes.

- **Mettre les grilles dans le four** : pour insérer les grilles dans le four, maintenir la grille avec le rail arrière vers l'arrière. Placer les crochets de sécurité sous le devant des guides. Pousser la grille dans le four, soulevant les butées sur le devant des guides. Faire glisser la grille en position.
- **Retrait des grilles du four** : pour enlever les grilles ou les repositionner, tirer la grille vers l'avant du four. Soulever le devant de la grille par-dessus les butées de sécurité et tirer hors du four. : pour enlever les grilles ou les repositionner, tirer la grille vers l'avant du four. Soulever le devant de la grille par-dessus les butées de sécurité et tirer hors du four.
- Placer les grilles à la position désirée avant de mettre le four en circuit.
- Au moment de placer les aliments sur la grille, tirer la grille jusqu'à la position de butée. Les grilles sont conçues pour se bloquer et ne pas s'incliner lorsque tirées vers l'avant.

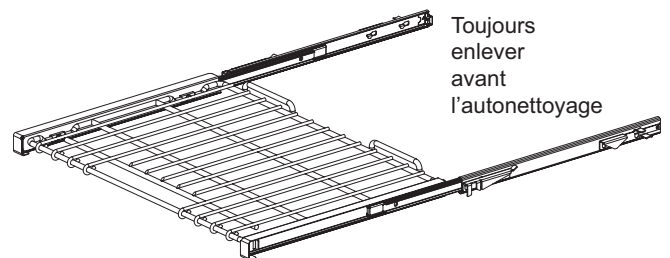
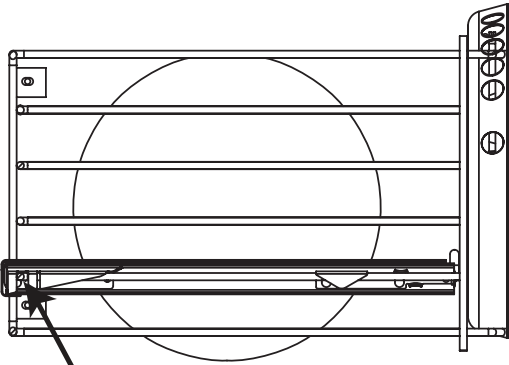


Figure 21: Grilles de four coulissantes

Positions des grilles



Important : au moment de faire glisser une grille dans le four, s'assurer que les supports avant sur les guides reposent sur les grandes fentes aux coins avant de la grille. Ceci est nécessaire pour que la grille reste bloquée en position lorsqu'elle est tirée hors du four.

Figure 22: Détail d'installation des grilles

Position des grilles de four

- Les positions des grilles de four sont numérotées comme un ascenseur. Le numéro un est la position la plus basse et le numéro 5 correspond à la position la plus élevée.

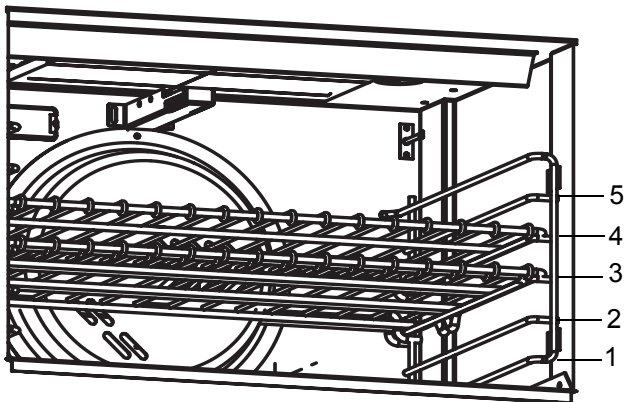


Figure 23 : Four avec positions de grille

Cuisson avec une seule grille

- Le mode **Bake** (Cuisson) est le plus adapté à la cuisson au four avec une seule grille placée à la position numéro 3; c'est le mode utilisé pour faire cuire la plupart des aliments. Si la pièce à cuire est aussi haute qu'un gâteau des anges, vous pouvez utiliser la position numéro 2. Les tartes cuisent mieux à la position numéro 2 pour que le dessous de la pâte soit bien cuit sans que le dessus ne roussisse. Pour faire rôti de grosses pièces de viandes ou de volaille, comme une côte de bœuf ou une dinde, la position numéro 2 est la plus adaptée.

Cuisson avec deux grilles

- Les niveaux 2 et 4 ou 5 permettent de faire cuire à deux niveaux. Les petits gâteaux secs ou les biscuits sont des mets adaptés à ce type de cuisson. Les ragoûts peuvent également être cuits en utilisant ces deux niveaux.

Cuisson avec trois grilles

- Pour la cuisson avec trois grilles, le mode Convection Bake (Cuisson par convection) doit être utilisé.

Emplacement des plats

- Laissez un espace d'au moins 25 mm (1 po) entre les plats et les parois du four pour que la chaleur puisse circuler.
- Espacez les plats pour qu'ils ne se trouvent pas l'un au-dessus de l'autre. Laissez 38 mm (1-1/2 po) au-dessus et en dessous de chaque plat.

Convection

Cuisson par convection

Il y a plusieurs avantages à la cuisson par convection. Dans le système à convection, un ventilateur à l'arrière du four déplace uniformément l'air dans le four. Cet air offre une chaleur uniforme pour que les aliments placés sur toute grille donnent des résultats constants. Des aliments sur plusieurs grilles peuvent être cuits en même temps et seront cuits sans avoir à tourner les plats.

Des plats peu profonds doivent être utilisés pour la cuisson par convection. Ceci permet à l'air de bien circuler. Les plats à côtés élevés ou couverts ne conviennent pas à ce

type de cuisson, car l'air chaud ne peut circuler autour des aliments.

Il est possible d'utiliser les plats préférés pour la cuisson par convection en autant que les bords soient peu profonds pour que l'air circule autour des aliments. Tout aliment non couvert brunira uniformément et une croûte riche se formera. Les aliments dans des casseroles couvertes (casseroles, rôtis) ou crème anglaise ne conviennent pas à la cuisson par convection.

Cuisson par convection

Il est possible d'économiser du temps en cuisant une bonne quantité de biscuits en même temps. Les biscuits cuisent uniformément. La durée de cuisson peut être plus courte grâce à l'air chaud qui circule. Pour de petits morceaux, comme des biscuits, vérifiez la cuisson deux minutes avant le temps indiqué dans la recette. Pour des articles plus grands, comme des gâteaux, vérifiez cinq à six minutes avant le temps indiqué dans la recette.

La cuisson par convection de la viande et de la volaille donnera des aliments brunis et croustillants à l'extérieur et tendres et juteux à l'intérieur. De grosses pièces de viande ou de volaille peuvent prendre jusqu'à 30 minutes de moins que le temps recommandé dans la recette; par conséquent, vérifiez afin qu'elles ne cuisent pas trop. Un thermomètre à viande assurera des résultats précis plutôt que le nombre de minutes par livres (kg). Plus la pièce de viande ou volaille est grosse, plus il y a économie de temps.

Conversion de la cuisson conventionnelle à la cuisson par convection

Pour convertir les plupart des recettes (biscuits, gâteaux, tartes, etc.), réduire la température du four de 25 °F. Pour la viande et la volaille, la température ne doit pas être réduite. Utilisez la même température que celle recommandée dans la recette et les tableaux de cuisson pour la viande et la volaille.

Conseils

Préchauffe le four

Préchauffez le four avant la cuisson. Consultez la recette pour connaître le préchauffage recommandé. La durée de préchauffage dépend du réglage de température et du nombre de grilles dans le four.

Cuisson à haute altitude

Pour la cuisson à haute altitude, en mode CUISSON ou CUISSON PAR CONVECTION, les recettes et durées de cuisson varient. Pour une information précise, écrire à Extension Service, Colorado State University, Fort Collins, Colorado 80521. Il peut y avoir des frais pour les bulletins. Précisez le type d'information désiré (ex. : gâteaux, biscuits, pains, etc.).

Condensation

Il est normal qu'il y ait une quantité d'humidité qui s'évapore des aliments pendant la cuisson. La quantité dépend du contenu d'humidité de l'aliment. L'humidité se condense sur la surface plus froide que l'intérieur du four, comme le panneau de commande.

Réglage de température

Avec la cuisson par convection, réduire la température recommandée dans la recette de 25 °F, sauf pour la viande. Pour rôtir la viande, vérifiez la température interne avant le temps indiqué dans la recette pour ne pas trop cuire.

Position des grilles

Une grille

- Pour la cuisson sur une grille, de meilleurs résultats sont obtenus en mode cuisson (voir Cuisson).
- Pour cuire une dinde ou une grosse pièce de viande, la cuisson par convection peut être utilisée. Utiliser la grille 2.

Deux grilles

- Les grilles 2 et 4 ou 5 sont idéales avec le mode cuisson par convection. Il est préférable de ne pas mettre les plats en quinconce. Le
- Le plat sur la grille 2 doit être placé directement sous celui de la grille 4 ou 5; toutefois pour les moules à gâteaux ronds, placez-les en quinconce pour de meilleurs résultats.
- Ceci peut être utilisé pour gâteaux, biscuits et autres aliments pour lesquels deux grilles sont idéales.
- Pour cuire plusieurs casseroles, tartes surgelées ou gâteaux, utilisez les grilles 2 et 4 ou 5.
- Utiliser ces grilles pour cuire un repas.

Trois grilles

- Pour cuire plusieurs plaques à biscuits, faites-les cuire sur les grilles 1, 3 et 5. Placez les plaques à biscuits directement au-dessus des autres sur les grilles afin que l'air puisse bien circuler autour des plaques à biscuits.

Types de casseroles

- Celles en aluminium offrent les meilleurs résultats de brunissage.
- Les plaques à biscuits à 2 côtés donnent les meilleurs résultats. Il est aussi possible d'utiliser des plaques de type commercial ou professionnel.

Emplacement

- Pour un meilleur brunissage, les plaques à biscuits et les plats rectangulaires doivent être placés sur la largeur sur la grille avec les côtés plus courts de droite à gauche. Ceci permet à l'air de circuler librement.
- Au moment de cuire avec plus d'une grille, les plaques à biscuit ne doivent pas être empilées, mais les moules à gâteau oui.



ATTENTION :

EN UTILISANT LE FOUR DANS TOUS LES MODES

N'utilisez jamais d'aluminium pour couvrir les grilles ou doubler le four. Cela peut endommager le four et causer un risque d'incendie si la chaleur est coincée en dessous. Consultez la page 4.

Réglages de cuisson/cuisson par convection/cuisson prolongée

Cuisson, cuisson à convection

Ces modes de cuisson sont pour la cuisson, le rôtissage ou le réchaud avec l'utilisation d'une, deux ou trois grilles.

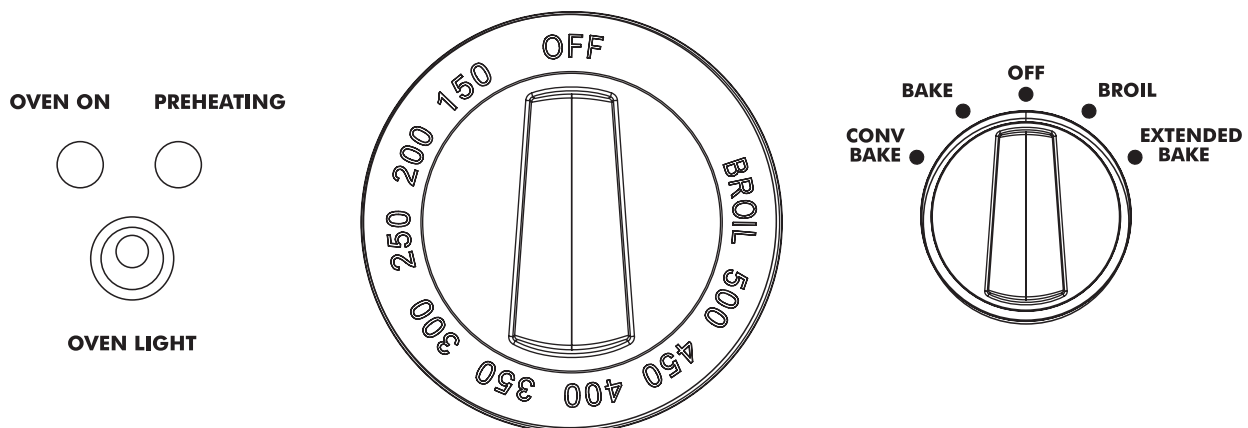
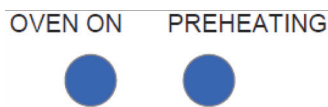


Figure 24: contrôles du four pour cuisinière 36 po

Pour régler le four

1. Choisir le mode **CUISSON** ou **CUISSON À CONVECTION** à l'aide du sélecteur de mode.
2. Régler la température du four avec le sélecteur de température
 - Si l'on utilise la **CUISSON À CONVECTION**, régler le sélecteur de température à 25 °F de moins que la température suggérée dans la recette. Aucune variation du réglage de température n'est nécessaire pour rôtir la viande ou la volaille.
 - Le ventilateur à convection se met en circuit 6 minutes après la mise en circuit du four si le mode **CUISSON À CONVECTION** est choisi.
 - Les voyants **FOUR EN CIRCUIT** et **PRÉCHAUFFAGE** s'allument.



- Le four est préchauffé à la température réglée lorsque le voyant **PRÉCHAUFFAGE** fait un cycle arrêt la première fois.



- Le voyant de **FOUR** reste allumé pendant un mode de cuisson actif et demeure allumé jusqu'à ce que le bouton de contrôle du four soit réglé en position **ARRÊT**.

Remarque :

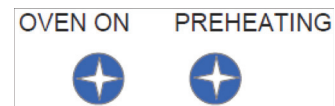
L'éclairage du four s'active par un interrupteur séparé, indépendant de tout autre réglage de contrôle.

Cuisson prolongée

Ce mode de cuisson unique permet d'aider selon les principes du Sabbat.

1. Choisir le mode **CUISSON PROLONGÉE** avec le sélecteur de mode.
2. Régler la température du four avec le sélecteur de température.
 - La PHASE DE PRÉCHAUFFAGE est la même que le mode CUISSON. Une fois le four préchauffé à la température sélectionnée, le cycle de cuisson prolongée de 22 minutes commence.
 - La PHASE ACTIVE de cuisson est comme d'habitude pour 19 minutes, sauf pour les 2 dernières minutes, les voyants **FOUR EN CIRCUIT** et **PRÉCHAUFFAGE** clignotent lentement (marche

3 secondes / arrêt 3 secondes) indiquant la phase finale.



- **PHASE ACCÈS** (four au ralenti)
Une fois que les deux voyants cessent de clignoter et demeurent en circuit, les 3 dernières minutes permettent aux personnes, pour le Sabbat, d'accéder au four sans modifier un changement du fonctionnement du four. Le brûleur du four demeure hors circuit pendant cette phase.

Fonctionnement automatique de la soufflerie de refroidissement :

Cette soufflerie ne fonctionne pas pendant les modes CUISSON pour des réglages de température inférieurs à 425 °F. Pour les températures plus élevées, la soufflerie s'active seulement lorsque le four atteint 425 °F, pendant le chauffage jusqu'à la température réglée. Lorsque le four est éteint, la soufflerie continue de fonctionner jusqu'à ce que le four atteigne 375 °F. Même chose pour le mode GRIL, la soufflerie s'active seulement lorsque le four atteint 425 °F pendant le chauffage jusqu'à la température de gril.

NE PAS continuer à utiliser le four si la soufflerie de refroidissement ne s'active pas pendant la cuisson à une température de 425 °F ou plus ou pendant le gril. Communiquer avec un centre de service qualifié pour faire réparer la cuisinière.

Autres utilisations du four

Cuisson lente et à basse température

Outre des températures idéales pour cuire et rôtir, ce four offre la possibilité de conserver des plats cuisinés au chaud, de déshydrater des aliments et de réchauffer les plats, grâce à ses réglages à basse température.

Les plats cuisinés chauds seront conservés à leur température de service. Réglez le four sur le mode cuisson et utilisez la température indiquée dans le tableau.

Pour de meilleurs résultats, préchauffez le four à la température souhaitée.

Les aliments susceptibles de se dessécher devront être recouverts de papier d'aluminium ou d'un couvercle.



SALUBRITÉ ALIMENTAIRE

Le ministère de l'Agriculture américain vous conseille de NE PAS MAINTENIR les aliments à des températures comprises entre 4 °C (40 °F) et 60 °C (140 °F) pendant plus de deux heures. Il est déconseillé de cuire des aliments crus à des températures inférieures à 135 °C (275 °F).

Suggestions de température pour conserver la chaleur des aliments

ALIMENTS	TEMPÉRATURE DU FOUR
Bœuf	65 °C (150 °F)
Bacon	93 à 107 °C (200 à 225 °F)
Biscuits et muffins (recouverts)	79 à 93 °C (175 à 200 °F)
Ragoût (recouvert)	79 à 93 °C (175 à 200 °F)
Poisson et fruits de mer	79 à 93 °C (175 à 200 °F)

ALIMENTS	TEMPÉRATURE DU FOUR
Aliments frits	93 à 107 °C (200 à 225 °F)
Jus de viande ou sauces à la crème (recouverts)	79 °C (175 °F)
Agneau et rôtis de veau	79 à 93 °C (175 à 200 °F)
Crêpes et gaufres (recouvertes)	93 à 107 °C (200 à 225 °F)
Pommes de terre cuites	93 °C (200 °F)
Purée de pommes de terre (recouverte)	79 °C (175 °F)
Pâtes et pâtisseries	79 °C (175 °F)
Pizza (recouverte)	107 °C (225 °F)
Porc	79 à 93 °C (175 à 200 °F)
Volaille (recouverte)	79 à 93 °C (175 à 200 °F)
Légumes (recouverts)	79 °C (175 °F)

Conseils de cuisson au four

ALIMENTS	DIMENSIONS DU PLAT	RÉGLAGE DE TEMPÉRATURE	TEMPS DE CUISSON TOTAL SUGGÉRÉ
Biscuits	30,5 x 38,1 cm (12" x 15") Tôle à pâtisserie	190 °C (375 °F)	8 à 12 minutes
Gâteaux fourrés	20,3 ou 22,9 cm (8" ou 9") rond	177 °C (350 °F)	25 à 35 minutes
Feuilletés	Plat de 22,9 ou 33 cm (9"x13")	177 °C (350 °F)	30 à 40 minutes
Gâteaux Bundt™	Plat de 1,5 kg (12 Cup)	163 °C (325 °F)	60 à 75 minutes
Carrés au chocolat ou biscuits rectangulaires	Plat de 22,9 x 22,9 cm (9"x9")	163 °C (325 °F)	20 à 25 minutes
Biscuits	Tôle à pâtisserie 30,5 x 38,1 cm (12"x15")	218 °C (425 °F) ou instructions du paquet	10 à 15 minutes
Préparation rapide pour pain	Moule de 20,3 x 10,2 cm (8"x4")	177 °C (350 °F)	55 à 70 minutes

ALIMENTS	DIMENSIONS DU PLAT	RÉGLAGE DE TEMPÉRATURE	TEMPS DE CUISSON TOTAL SUGGÉRÉ
Muffins	12 cup ramequins à muffins	218 °C (425 °F)	14 à 19 minutes
Tartes aux fruits	Diamètre de 22,8 cm (9")	218 °C (425 °F)	35 à 45 minutes
Pavés aux fruits	Plat de 22,8 x 22,8 cm (9"x9")	204 °C (400 °F)	25 à 30 minutes
Pain à la levure, miches	Moule de 20,3 x 10,2 cm (8"x4")	218 °C (425 °F)	25 à 30 minutes
Petits pains	Plat de 22,9 ou 33 cm (9"x13")	204 °C (400 °F)	12 à 18 minutes
Rouleaux à la cannelle	Plat de 22,9 ou 33 cm (9"x13")	190 °C (375 °F)	25 à 30 minutes
Gâteau danois	Tôle à pâtisserie 30,5 x 38,1 cm (12"x15")	204 °C (400 °F)	20 à 30 minutes

Gril

Pour obtenir les meilleurs résultats

- Décongelez les aliments avant de les faire griller.
- Vous pouvez laisser la porte du four fermée pendant la grillade.
- Pour obtenir un point de cuisson saignant, les steaks doivent avoir une épaisseur d'au moins 25 mm (1 po').
- Ne retournez les aliments qu'une fois, au milieu du temps total de cuisson. Il n'est pas nécessaire de retourner les morceaux très fins (tranches de jambon, filets de poisson, etc.). Les tranches de foie doivent être retournées indépendamment de leur épaisseur.
- Utilisez une minuterie. Réglez-la à la durée minimum de vérification de la cuisson.
- Placez les aliments directement sous le brûleur à infrarouge pour qu'ils dorent bien.

Position de la grille

Avant d'allumer le four, placez la grille à la position désirée. Centrez la lèchefrite sous le brûleur à infrarouge.

Four à gaz

- N° 4 — Utilisez cette position de grille pour faire griller les steaks de bœuf, les galettes de bœuf, les steaks de jambon et les côtes d'agneau de 25 mm (1 po) ou moins d'épaisseur. Utilisez-la également pour faire dorer le dessus des aliments.

- N° 3 — Utilisez cette position de grille pour faire griller des viandes d'une épaisseur de 29 mm (1-1/8 po) ou plus, le poisson, la volaille, les côtes de porc, les steaks de jambon de 25 mm (1 po') ou plus d'épaisseur.
- N° 3 — Utilisez cette position de grille pour faire rôtir des moitiés de poulets (enlevez la peau).

Ustensiles

- La lèchefrite 2 pièces en porcelaine émaillée avec sa grille est incluse avec la cuisinière. **NE RECOUVREZ PAS** la grille quadrillée (dessus) avec du papier d'aluminium.
- Utilisez des plats en métal ou en vitrocéramique pour faire gratiner les ragoûts, les plats ou le pain.
- N'UTILISEZ PAS de plats en verre résistant à la chaleur ou en terre cuite. Ce type de plats ne résistera pas à l'intense chaleur du gril à gaz.

Griller à l'aide d'un thermomètre à viande

Pour déterminer de manière précise le point de cuisson d'un steak ou d'une côte épaisse (plus de 38 mm (1,5 po')), utilisez un thermomètre à viande ordinaire. Introduisez la pointe du thermomètre dans le côté de la pièce et enfoncez-le jusqu'au centre.

Pour les steaks saignants, faites d'abord cuire le premier côté jusqu'à 32 °C (90 °F). Pour les steaks à point ou bien cuits, faites cuire le premier côté jusqu'à 37°C (100 °F). Retournez et faites cuire le second côté jusqu'à la température interne voulue.

Remarque :

Il est impossible d'utiliser simultanément le four et le gril. Quand l'un est en marche, l'autre ne peut pas être allumé.

- Votre cuisinière Professional vous est fournie avec une grande lèchefrite en deux pièces. Les jus de cuisson coulent au travers de la grille quadrillée dans la partie inférieure, s'éloignant ainsi de l'intense chaleur du grilloir pour minimiser les éclaboussures et la fumée.

Réglage du grilloir

Gril – Four à gaz

Seul le brûleur à infrarouge chauffe en mode **BROIL** (GRILLOIR).

Remarque :

Pour être réussie, une grillade exige une exposition constante à une chaleur élevée et intense.

Réglage du four à grilloir

1. Placez la grille à la position voulue dans le four.
2. Régler le sélecteur de mode à GRIL.
3. Régler le sélecteur de température à GRIL.
4. Attendre que le voyant de **PRÉCHAUFFAGE** s'éteigne, après environ 3 minutes.
5. Placez les aliments dans le four à la position voulue.
6. La porte doit être fermée pendant le cycle de grillade.

Le voyant de **FOUR** reste allumé pendant un mode de cuisson actif et demeure allumé jusqu'à ce que le bouton de contrôle du four soit réglé en position **ARRÊT**.

Fonctionnement automatique de la soufflerie de refroidissement :

Cette soufflerie ne fonctionne pas pendant les modes CUISSON pour des réglages de température inférieurs à 425 °F. Pour les températures plus élevées, la soufflerie s'active seulement lorsque le four atteint 425 °F, pendant le chauffage jusqu'à la température réglée. Lorsque le four est éteint, la soufflerie continue de fonctionner jusqu'à ce que le four atteigne 375 °F. Même chose pour le mode GRIL, la soufflerie s'active seulement lorsque le four atteint 425 °F pendant le chauffage jusqu'à la température de gril.

Remarque :

L'éclairage du four s'active par un interrupteur séparé, indépendant de tout autre réglage de contrôle.

Conseils de cuisson – grillade et rôtis

Toutes les viandes doivent être placées sur la lèchefrite fournie avec la cuisinière.

ALIMENTS	POSITION DE LA GRILLE	MODE DU FOUR	RÉGLAGE DE TEMPÉRATURE	TEMPS DE CUISSON APPROXIMATIF	INSTRUCTIONS PARTICULIÈRES ET CONSEILS
BŒUF Viande hachée de bœuf, 12,5 mm (1/2") d'épaisseur	4	Broil (Gril)	Broil (Gril)	15 à 20 minutes	Faire griller jusqu'à disparition de la teinte rosée au centre.
Bifteck d'ailoyau	4	Broil (Gril)	Broil (Gril)	12 à 20 minutes	Le temps dépend du point de cuisson.
Steak de flanc	4	Broil (Gril)	Broil (Gril)	12 à 20 minutes	Le meilleur résultat est un point de cuisson et saignant/à point.

ALIMENTS	POSITION DE LA GRILLE	MODE DU FOUR	RÉGLAGE DE TEMPERATURE	TEMPS DE CUISSON APPROXIMATIF	INSTRUCTIONS PARTICULIÈRES ET CONSEILS
Rôti de noix de ronde	3	Bake (Cuisson au four) ou Conv Bake (Cuisson par conv)	163 °C (325 °F)	44 à 55 min/kg	Les petits rôtis requièrent plus de temps par livre. Réduire la durée en utilisant la cuisson à convection.
PORC					
Rôti de longe	3	Bake (Cuisson au four) ou Conv Bake (Cuisson par conv)	163 °C (325 °F)	44 à 55 min/kg	Laisser cuire jusqu'à élimination des jus.
VOLAILLE					
Poitrines de poulet sans os, sans peau	4	Broil (Gril)	Broil (Gril)	20 à 25 minutes	Laisser cuire jusqu'à élimination des jus.
Cuisses de poulet	3	Broil (Gril)	Broil (Gril)	25 à 30 minutes	Retirer la peau ; laisser jusqu'à élimination des jus.
Demi-poulets	3	Broil (Gril)	Broil (Gril)	30 à 45 minutes	Retourner l'aide d'une pince; Laisser cuire jusqu'à élimination des jus.
Poulet à rôtir poitrines	2	Bake (Cuisson au four) ou Conv Bake (Cuisson par conv)	177 °C (350 °F)	75 à 90 minutes	Réduire la durée pendant le gril à convection.
Dinde	2	Bake (Cuisson au four) ou Conv Bake (Cuisson par conv)	163 °C (325 °F)	44 à 55 min/kg	Réduire la durée pendant le gril à convection.

Entretien et nettoyage

Nettoyage de la cuisinière

Pour nettoyer la cuisinière :

1. Utilisez la méthode de nettoyage qui tout en restant efficace, est la plus douce possible. Certains produits d'entretien similaires sont plus rudes que d'autres. Faites d'abord un essai sur une petite surface.
2. Passez toujours les produits lustrant pour le métal dans le sens des lignes de polissage pour obtenir une efficacité maximum et éviter de rayer la surface.
3. N'utilisez que des chiffons, éponges, serviettes en papier, brosses doux et propres; des tampons à récurer savonneux en plastique, non-métalliques, pour nettoyer et gratter, comme recommandé dans le tableau.
4. Toutes les pièces de cet appareil peuvent être nettoyées avec de l'eau chaude savonneuse. S'il est nécessaire de rincer, rincez soigneusement.

5. Essuyez toujours immédiatement pour éviter les traces d'eau.



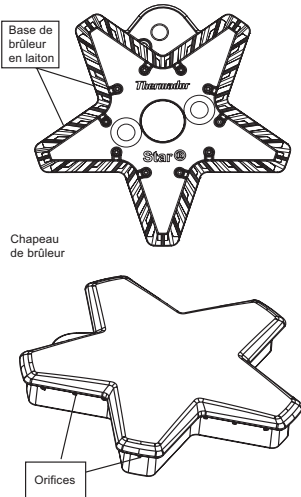
MISE EN GARDE

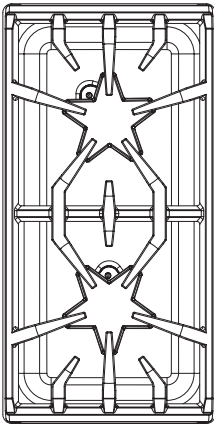
Ne nettoyez pas les pièces du four pendant qu'elles sont encore chaudes.

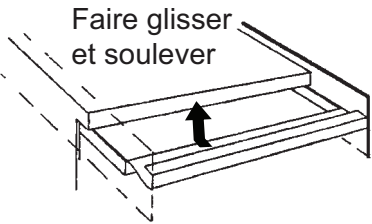
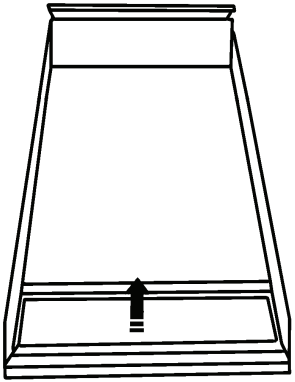
Marques de produits

Les marques de produits utilisées ici sont destinées à indiquer un type de produit d'entretien et ne constituent pas une obligation. L'omission d'une marque ne signifie pas qu'elle convient ou qu'elle ne convient pas. De nombreux produits sont distribués à grande échelle et il est possible de les trouver localement. Les produits doivent être utilisés conformément à leur mode d'emploi. Le tableau suivant fournit des indications concernant le nettoyage de la cuisinière.

Conseils de nettoyage

PIÈCE/MATÉRIAU	PRODUITS D'ENTRETIEN SUGGÉRÉS	RAPPELS IMPORTANTS
<p>Base de brûleur en cuivre et chapeau en fonte</p> 	<ul style="list-style-type: none"> • Eau chaude savonneuse : rincez puis séchez soigneusement. • Produits abrasifs doux : Bon Ami®, produit d'entretien pour acier inoxydable et aluminium Cameo®, produit lustrant pour cuivre universel Wright's®. • Produits d'entretien liquides : Kleen King® • Brosse à dents à poils de nylon durs pour nettoyer les orifices. • Après le nettoyage, s'assurer que le capuchon de brûleur est bien positionné sur la base du brûleur. 	<ul style="list-style-type: none"> • Ne pas égratigner ni endommager le port de la base de brûleur en laiton.

PIÈCE/MATÉRIAU	PRODUITS D'ENTRETIEN SUGGÉRÉS	RAPPELS IMPORTANTS
<p>Boutons de commande de plastique Cadrons de chrome</p> <p>Veuillez consulter le guide à la page 10 pour l'identification des boutons.</p>	<ul style="list-style-type: none"> Eau chaude savonneuse : rincez et séchez immédiatement 	<ul style="list-style-type: none"> Ne trempez pas les boutons dans l'eau. Ne forcez pas un bouton sur un axe qui n'est pas le sien.
<p>Finition externe/Plaque de protection / Acier inoxydable</p>	<ul style="list-style-type: none"> Produits d'entretien non abrasifs : eau chaude et produit détergent, ammoniac, Fantastic®, Formula 409®. Rincez et séchez immédiatement. Produits lustrant d'entretien : Stainless Steel Magic® pour protéger le revêtement contre les piqûres de corrosion et les taches; améliore l'aspect. Taches de calcaire : vinaigre. Produits pour aluminium et acier inoxydable Siege, produit liquide Kleen King® pour acier inoxydable. Décoloration due à la chaleur : Cameo®, Barkeepers Friend®, Zud®, produit lustrant universel pour cuivre Wright's®. 	<ul style="list-style-type: none"> L'acier inoxydable résiste à la plupart des taches d'aliments et aux piqûres de corrosion si la surface est maintenue propre et protégée. Ne laissez jamais laisser les taches d'aliments ou de sel sur l'acier inoxydable. Frottez légèrement dans le sens des lignes de polissage. Le chlore et les composés au chlore présents dans certains produits corrodent l'acier inoxydable. Vérifiez la composition du produit sur l'étiquette.
<p>Grilles / Porcelaine émaillée sur fonte</p> 	<ul style="list-style-type: none"> Produits d'entretien non abrasifs : eau chaude et produit détergent, Fantastic®, Formula 409®. Rincez et séchez immédiatement. Produits d'entretien abrasifs doux : Bon Ami® et Soft Scrub®. Produits d'entretien abrasifs pour taches récalcitrantes : tampons métalliques à récurer. Lestoil® ou autre produit dégraissant. 	<ul style="list-style-type: none"> Les grilles sont lourdes; faites attention en les enlevant. Placez-les sur une surface protégée. La formation de cloques, de craquelures et d'éclats est fréquente en raison des températures extrêmes que peuvent atteindre les pointes des grilles et aux brusques changements de températures. Les renversements de produits acides et sucrés détériorent l'émail. Nettoyez-les immédiatement. Les produits d'entretien abrasifs utilisés trop vigoureusement ou trop souvent peuvent rayer l'émail.

PIÈCE/MATÉRIAU	PRODUITS D'ENTRETIEN SUGGÉRÉS	RAPPELS IMPORTANTS
<p>Plateau à graisse de la plaque / Aluminium avec revêtement antiadhésif</p> 	<ul style="list-style-type: none"> • Nettoyez le plateau à graisse après chaque usage. • Lavable au lave-vaisselle. • Lavez-le dans de l'eau chaude avec du détergent; rincez puis séchez. • Résidus récalcitrants : Soft Scrub® 	<ul style="list-style-type: none"> • Videz le plateau à graisse après chaque usage. • Retirez le plateau une fois que la graisse a refroidi. Faire attention à ne pas trop remplir le plateau pour ne pas qu'il se renverse au moment de l'enlever.
<p>Plaque / Aluminium avec revêtement antiadhésif</p> 	<ul style="list-style-type: none"> • Retirez le plateau à graisse et jetez-en le contenu dans un conteneur prévu à cet effet. Lavez le plateau dans de l'eau tiède savonneuse ou au lave-vaisselle. Lavez la surface de la plaque ou du gril à l'eau tiède savonneuse puis rincez-le à l'eau tiède. Essuyez avec un chiffon doux. • Si des résidus d'aliments collent, nettoyez-les avec un produit d'entretien abrasif doux comme le Soft Scrub®. 	<ul style="list-style-type: none"> • Ne rincez jamais à l'eau froide. La plaque d'aluminium pourrait se déformer ou se fissurer. • Ne nettoyez pas dans le four autonettoyant.
<p>Allumeurs en céramique</p>	<ul style="list-style-type: none"> • Utilisez un tampon de coton mouillé à l'eau, au Formula 409® ou au Fantastic®. 	<ul style="list-style-type: none"> • N'utilisez pas d'outils coupants pour gratter les allumeurs. Ils sont fragiles; s'ils sont endommagés, le brûleur ne s'allumera pas.
<p>Plateau de surface / dessus principal Porcelaine émaillée</p>	<p>Un nettoyant tel Soft Scrub® peut être utilisé. Appliquer avec une éponge ou un chiffon humide selon les instructions du fabricant. Bien rincer et assécher avec un chiffon doux.</p> <p>Si l'on utilise des produits tels Bar Keeper's Friend®, Bon-ami®, Comet® ou Ajax®, appliquer avec une éponge ou un chiffon humide selon les instructions du fabricant. Frotter légèrement puisque ces produits peuvent égratigner le fini. Bien rincer et assécher avec un chiffon doux.</p> <p>Pour les aliments brûlés, l'on peut utiliser un tampon en laine d'acier ou savonneux comme S.O.S.® ou Brillo®. Mouiller le tampon et frotter délicatement. Faire attention à ne pas endommager le fini. Bien rincer et assécher avec un chiffon doux.</p>	

PIÈCE/MATÉRIAU	PRODUITS D'ENTRETIEN/INDICATIONS
<p>Grille/base de la lèchefrite Porcelaine émaillée</p>	<p>NE NETTOYEZ PAS DANS LE FOUR AUTONETTOYANT</p> <p>Pour détacher les résidus d'aliments, saupoudrez la grille quand elle est encore chaude avec un produit d'entretien en poudre pour la lessive ou aspergez d'un produit liquide puis couvrez avec des serviettes en papier mouillées. Laissez reposer.</p> <p>Eau chaude savonneuse.</p> <ul style="list-style-type: none"> Lavez, rincez soigneusement, puis séchez. <p>Produits d'entretien : Soft Scrub®.</p> <ul style="list-style-type: none"> Appliquez à l'aide d'une éponge ou d'un chiffon humide selon les indications du fabricant. Rincez et séchez. <p>Produit d'entretien en poudre : Bon-ami®, Comet®, Ajax®.</p> <ul style="list-style-type: none"> Appliquez à l'aide d'une éponge ou d'un chiffon humide selon les indications du fabricant. Frottez doucement en prenant garde de ne pas rayer la surface. Rincez soigneusement et séchez. <p>Tampons métalliques à récurer ou savonneux : S.O.S®, Brillo®.</p> <ul style="list-style-type: none"> Mouillez le tampon, frottez légèrement en prenant garde à ne pas rayer la surface. Rincez soigneusement et séchez.
<p>Cavité Porcelaine émaillée sur acier</p>	<p>La porcelaine émaillée est résistante, mais n'est pas à l'épreuve des acides. Les aliments acides comme les jus d'agrumes, le jus de tomates, le jus de rhubarbe, l'alcool ou le lait doivent être essuyés et ne pas recuire sur la porcelaine au cours de l'usage suivant. Au bout d'un certain temps, la porcelaine risque de se fissurer (petites lignes fines comme des cheveux).</p> <p>Eau chaude savonneuse.</p> <ul style="list-style-type: none"> Lavez, rincez soigneusement, séchez. <p>Produits d'entretien doux : Bon-ami®, ammoniac ou ammoniac et eau, Soft Scrub®</p> <ul style="list-style-type: none"> Appliquez sur une éponge ou un chiffon humide. Frottez légèrement. Rincez soigneusement. Séchez. Si des aliments ont brûlé dans le four et sont difficiles à retirer, détrempez-les à l'aide d'un chiffon saturé d'ammoniac ménager. Fermez la porte et laissez agir pendant une heure ou deux ou jusqu'à ce qu'il soit possible d'enlever ces résidus à l'aide d'un chiffon humide savonneux ou d'un produit d'entretien doux. Vous pouvez aussi préparer une solution d'environ 3 cuillères à soupe d'ammoniac ménager dissout dans une demi-tasse d'eau, que l'on laisse dans le four tiède toute la nuit. Les résidus et les débordements durcis seront ainsi détrempés et plus faciles à ôter. De l'ammoniac peut être mélangé à de l'eau chaude pour bien laver le four.
<p>Cadre frontal Acier inoxydable</p>	<p>Voir Finition externe/Plaque de protection à la page 31.</p>

PIÈCE/MATÉRIAU	PRODUITS D'ENTRETIEN/INDICATIONS
<p>Grilles du four et guide Nickelées</p> <p>Remarque : Les guides de grilles sont amovibles pour le nettoyage à l'aide de cette marche à suivre (voir instructions de page 35).</p>	<p>Eau chaude savonneuse.</p> <ul style="list-style-type: none"> Lavez, rincez soigneusement et séchez. <p>Produits d'entretien : Soft Scrub®.</p> <ul style="list-style-type: none"> Appliquez avec une éponge ou un chiffon humide selon les indications du fabricant. Frottez légèrement. Rincez soigneusement et séchez. <p>Nettoyant en poudre : Bon-ami®, Comet®, Ajax®.</p> <ul style="list-style-type: none"> Appliquez avec une éponge ou un chiffon humide selon les indications du fabricant. Frottez légèrement. Bien rincez et séchez. <p>Tampons métalliques à récurer ou savonneux : S.O.S®, Brillo®.</p> <ul style="list-style-type: none"> Mouillez le tampon, rincez soigneusement et séchez. <p>Produits d'entretien puissants : Easy Off® pour fours</p> <p>Remarque : Certains produits d'entretien à four sur le marché provoquent un noircissement et une décoloration. Faites un essai du produit sur une petite partie de la grille et assurez-vous qu'il n'y a pas de décoloration avant de nettoyer la totalité de la grille.</p> <ul style="list-style-type: none"> Appliquez une couche généreuse. Laissez reposer de 10 à 15 minutes. Rincez soigneusement et séchez. <p>Si après le nettoyage, les grilles glissent mal, imbibe une serviette en papier d'un peu d'huile de cuisine et frottez légèrement les glissières latérales.</p>
<p>Extérieur, cadre, poignée, déflecteur de chaleur Acier inoxydable</p>	<p>Prenez garde de ne pas laisser les produits d'entretien et l'eau entrer dans les orifices de la porte : l'eau pourrait causer de petites stries dans le verre intérieur.</p> <p>Consultez la section Finition externe/Plaque de protection / Acier inoxydable à la page 31.</p>
<p>Intérieur Porcelaine émaillée</p>	<p>Consultez la section sur la Cavité à la page 33.</p>
<p>Joint d'étanchéité Joint de porte</p>	<p>Produits d'entretien génériques pour cuisines : Formula 409®, Fantastik®.</p> <ul style="list-style-type: none"> Vaporisez et essuyez le produit avec un chiffon. Ne frottez pas. Ne déplacez pas et n'enlevez pas le tissu à mailles et ne l'endommagez pas.

Retrait des guides pour le nettoyage :

1. Soulevez le devant du guide pour libérer les têtes des deux boulons au devant de l'intérieur du four.
2. Retirez la portion avant du guide en tirant les fentes en forme de trou de clé sur les boulons.
3. Tirez les deux rails des trous à l'arrière de l'intérieur du four.

Remarque :

Les guides de grilles sont conçus pour s'ajuster d'un côté ou l'autre de la cavité du four.



Entretien à faire soi-même

Changement de l'ampoule du four

Remplacez l'ampoule exclusivement par une ampoule recommandé pour cuisinière. N'UTILISEZ PAS une ampoule standard à usage domestique dans le four.

Pour remplacer l'ampoule d'éclairage :

1. S'assurer que l'interrupteur de l'éclairage du four est en position ARRÊT.
2. Enlever le couvercle de l'ampoule. Utiliser un tournevis à lame plate pour forcer délicatement le couvercle en verre du boîtier en métal et tenir le verre de l'autre main pour l'enlever.
3. Enlever l'ampoule grillée. La remplacer avec une ampoule recommandée pour les électroménagers

seulement. Ne pas toucher l'ampoule avec les doigts. Suivre les instructions du fabricant.

4. Remettre le couvercle en verre en l'alignant avec le boîtier et en pressant les deux côtés du verre avec une force égale jusqu'à ce qu'il s'enclenche en place. Ne pas appliquer une force excessive sur le verre.




MISE EN GARDE

Avant d'insérer l'ampoule, assurez-vous que l'interrupteur de la lumière du four est à la position **OFF**. Laissez l'ampoule et le couvercle refroidir complètement avant d'y toucher. Si le verre de l'ampoule n'est pas bien fixé sur sa base, coupez l'alimentation du four au niveau du disjoncteur avant d'ôter l'ampoule de la douille.

Panne de courant

- En cas de panne de courant, seuls les brûleurs standards peuvent être allumés manuellement. Il est nécessaire d'allumer chaque brûleur standard individuellement.
- Si vous voulez utiliser la table de cuisson de la cuisinière pendant une panne de courant, tournez tous les boutons de commande des brûleurs à la position **OFF**. Approchez une allumette de l'orifice du brûleur standard et tournez le bouton de commande à la

position . Attendez que la flamme brûle tout autour du chapeau du brûleur avant de la régler à l'intensité voulue. Les deux brûleurs ExtraLow® du côté gauche de la cuisinière ne peuvent pas être utilisés pendant une panne de courant. Assurez-vous de les éteindre si une panne de courant survient, car ils ne se rallumeront pas tant que les boutons de contrôle ne seront pas à position **OFF**, puis rallumés. Consultez la section « Si vous sentez une odeur de gaz », à l'intérieur de la page couverture.

- Si la pression de l'arrivée de gaz est faible, communiquez avec votre compagnie de gaz.

Production intermittente ou constante d'étincelles par l'allumeur

La production intermittente ou constante d'étincelles au niveau des brûleurs hermétiquement encastrés de la table de cuisson peut être due à des facteurs qu'il est possible d'éviter. Éliminez ces facteurs comme indiqué dans le tableau.

SYMPTÔME	CAUSE	SOLUTION
Production intermittente d'étincelles	<ul style="list-style-type: none"> L'allumeur en céramique est mouillé ou sale. Les orifices du brûleur sont bouchés. 	<ul style="list-style-type: none"> Séchez ou nettoyez soigneusement l'allumeur. Nettoyez les orifices de répartition de la flamme à l'aide d'un fil métallique, d'une aiguille ou d'un trombone déplié.
Plus de quatre déclics de l'allumeur avant que la flamme ne s'allume	<ul style="list-style-type: none"> Le chapeau du brûleur est mal posé sur sa base. 	<ul style="list-style-type: none"> Alignez bien le chapeau du brûleur sur la base du brûleur.
Production constante d'étincelles	<ul style="list-style-type: none"> La mise à la terre de la cuisinière a été mal faite. L'alimentation électrique est mal polarisée. 	<ul style="list-style-type: none"> Consultez les Instructions d'installation. Appelez un électricien qualifié pour qu'il effectue une mise à la terre adéquate pour la cuisinière. Consultez les Instructions d'installation. Appelez un électricien qualifié pour qu'il effectue une mise à la terre adéquate pour la cuisinière.

Avant d'appeler le service technique

Avant d'appeler le service technique, vérifiez les points suivants afin d'éviter des frais inutiles.

Vérifiez d'abord les points suivants :

- Y a-t-il une panne de courant dans le voisinage?
- Les fusibles ont-ils sauté ou le disjoncteur s'est-il déclenché?
- La cuisinière est-elle débranchée?

Si les brûleurs ne s'allument pas

- Les chapeaux des brûleurs sont-ils correctement alignés et posés sur les bases des brûleurs?
- Les orifices des brûleurs sont-ils bouchés?
- Un fusible a-t-il sauté ou le disjoncteur s'est-il déclenché?
- Le robinet manuel de coupure du gaz est-il fermé, empêchant l'arrivée de gaz?

Plaque signalétique

La plaque signalétique indique le modèle et le numéro de série de votre cuisinière. Elle est située sur le cadre, derrière la porte du four (voir illustration).

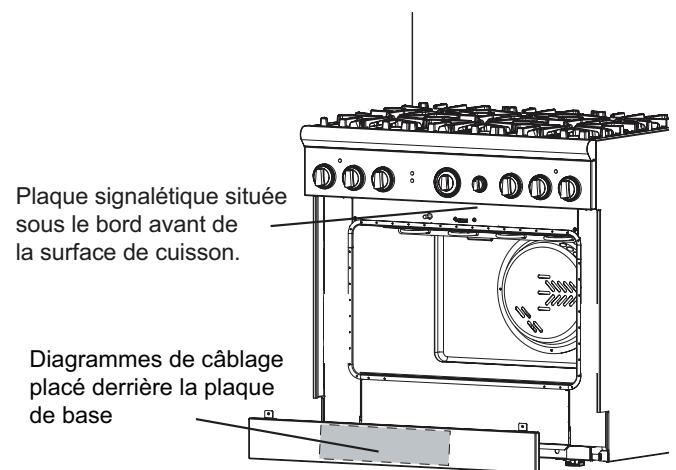


Figure 25 : Emplacement plaque signalétique et diagramme de câblage (porte du four non illustrée)

Les schémas de câblage électrique et les dessins placés dans la zone de la base ne doivent pas être enlevés sauf par un technicien de service. Remettez en place après l'entretien.



MISE EN GARDE :

Avant d'ôter la plaque d'habillage, débranchez l'alimentation électrique de la cuisinière. Réinstallez la plaque de base avant de rebrancher l'alimentation électrique de la cuisinière et de l'utiliser.

Information pour le service technique

Afin de conserver ces données à portée de main, recopiez ici les renseignements figurant sur la fiche signalétique. Conservez votre facture pour que votre garantie soit valide.

Numéro du modèle

Numéro de série

Date d'achat

Nom du détaillant

Numéro de téléphone du marchand

Nom du centre de service

Numéro de téléphone du centre de service

Complétez également la carte d'enregistrement du produit comprise avec ce produit et postez-la à l'adresse indiquée.

ÉNONCÉ DE GARANTIE LIMITÉE DU PRODUIT

Couverture de la garantie et à qui elle s'applique

La garantie limitée fournie par BSH Home Appliances Thermador dans le présent énoncé de garantie limitée du produit s'applique seulement à l'appareil Thermador qui vous est vendu, le premier acheteur à l'utiliser, à la condition que le produit ait été acheté :

- pour un usage domestique (non commercial) normal et qu'il ait effectivement, en tout temps, été utilisé à des fins domestiques normales;
- à l'état neuf au détail (et non comme un modèle d'exposition « en l'état », ou modèle préalablement retourné), et non pour la revente ou l'utilisation commerciale;
- aux États-Unis ou au Canada, et qu'il soit en tout temps demeuré dans le pays d'origine de l'achat.

Les garanties énoncées aux présentes s'appliquent seulement au premier acheteur du produit et ne sont pas cessibles.

Assurez-vous de retourner la carte d'enregistrement; quoique non nécessaire pour que la couverture de la garantie prenne effet, elle constitue le meilleur moyen pour Thermador de vous prévenir dans l'éventualité improbable d'un avis de sécurité ou d'un rappel de produit.

Durée de la garantie

Thermador garantit que le produit est exempt de défaut de matière ou de fabrication pendant une période de douze (12) mois à compter de la date d'achat. Cette période entre en vigueur à partir de la date d'achat et ne sera pas retardée, restreinte, prolongée ni suspendue pour quelque raison que ce soit.

Réparation ou remplacement du produit comme recours exclusif

Pendant cette période de garantie, Thermador ou l'un de ses prestataires de services agréés réparera le produit sans frais de votre part (sous réserve de certaines limitations énoncées aux présentes) s'il s'avère que la fabrication de votre produit présente un défaut de matière ou de fabrication. Si des tentatives raisonnables de réparation du produit ont été faites sans succès, Thermador remplacera le produit (des modèles améliorés peuvent être mis à votre disposition), à la seule discrétion de Thermador, moyennant des frais supplémentaires). Toute composante ou pièce enlevée devient la propriété de Thermador, à sa seule option. Toute pièce remplacée et/ou réparée doit assumer l'identité de la pièce d'origine aux fins de la présente garantie, et la garantie de ces pièces ne sera pas prolongée. La seule obligation et responsabilité de Thermador en vertu des présentes est de réparer seulement le produit présentant un défaut de fabrication, par l'entremise d'un prestataire de services agréé Thermador durant les heures normales de travail. Pour des questions de sécurité et de dommages à la propriété, Thermador recommande vivement de ne pas tenter de réparer soi-même le produit, ni d'utiliser un service de réparation non autorisé. Thermador décline toute responsabilité pour les réparations ou le travail effectués par un service de réparation non autorisé. Si vous choisissez de faire réparer le produit par une personne autre qu'un prestataire de services agréé, CETTE GARANTIE DEVIENDRA AUTOMATIQUEMENT NULLE ET SANS EFFET. Les prestataires de services agréés sont des personnes ou des compagnies qui ont été spécialement formées pour les produits Thermador et qui possèdent, de l'avis de Thermador, une excellente réputation pour le service à la clientèle et des aptitudes techniques (il est à noter qu'il s'agit d'entités indépendantes et non d'agents, partenaires, affiliés ou représentants de Thermador). Néanmoins, Thermador n'assumera aucune responsabilité ou obligation à l'égard du produit s'il est situé dans une région éloignée (plus de 100 miles (160,9 km) d'un prestataire de services agréé) ou s'il est raisonnablement inaccessible ou à un endroit, dans une

zone ou dans un environnement dangereux ou menaçants; dans un tel cas, si vous en faites la demande, Thermador pourrait payer les frais de main-d'œuvre et de pièce et expédier les pièces au prestataire de service agréé le plus proche, mais vous seriez quand même entièrement responsable pour tout déplacement ou autres frais spéciaux requis par le service de réparation, s'il accepte d'effectuer un appel de service.

Produit hors garantie

Thermador n'est nullement tenu, en droit ou autrement, de vous offrir toute concession, y compris réparations, tarifs proportionnels ou remplacement de produit, une fois la garantie expirée.

Exclusions de la garantie

La couverture de garantie décrite aux présentes exclut tout défaut ou dommage qui n'est pas une faute directe de Thermador, y compris sans limitation, dans l'un ou plusieurs des cas suivants :

- utilisation du produit d'une façon autre que normale, habituelle et prévue (y compris, sans limitation, toute forme d'utilisation commerciale, utilisation ou rangement d'un produit pour l'intérieur à l'extérieur, utilisation du produit avec des aéronefs ou bateaux quels qu'ils soient) ;
- mauvaise conduite volontaire de toute partie, conduite négligente, mauvaise utilisation, abus, accidents, négligence, exploitation irrégulière, manquement à l'entretien, installation inadéquate ou négligée, altération, manquement à observer les instructions de fonctionnement, manipulation sans précaution, service non autorisé (y compris le « bricolage » fait soi-même ou l'exploration du fonctionnement interne de l'appareil);
- réglage, altération ou modification de toute sorte;
- manquement à se conformer à tous les codes électriques, de plomberie et/ou de construction de l'état, locaux, municipaux ou du comté, règlements ou lois en vigueur, y compris le manquement à installer le produit strictement en conformité avec les codes et règlements d'incendie et de construction locaux;
- usure et détérioration normales, déversements d'aliments, liquides, accumulation de graisse, ou autres substances accumulées sur, dans ou autour du produit;
- et toute force et facteur externes, élémentaires et/ou environnementaux, y compris sans limitation, pluie, vent, sable, inondation, incendie, glissement de terrain, gel, humidité excessive ou exposition prolongée à l'humidité, à la foudre, aux surtensions, défauts de structure environnante de l'appareil, et catastrophes naturelles.

En aucun cas Thermador n'assumera la moindre responsabilité pour des dommages survenus à la propriété environnante, y compris aux armoires, planchers, plafonds et aux autres structures ou objets entourant le produit. Également exclus de la garantie sont les égratignures, éraflures, encoches mineures et dommages esthétiques sur les surfaces externes et les pièces exposées; les produits dont les numéros de série ont été modifiés, effacés ou enlevés; les visites d'entretien pour montrer au client comment utiliser le produit ou les visites alors que le produit ne présente aucun problème; la correction de problèmes d'installation (vous êtes entièrement responsable de toute structure et tout réglage du produit, y compris électricité, plomberie ou autres services utilitaires, pour un plancher/fondation approprié et pour toute modification y compris, sans limitation, armoires, murs, planchers, étagères, etc.); et remise en fonction des coupe-circuits ou fusibles.

DANS LA MESURE OÙ LA LOI LE PERMET, LA PRÉSENTE GARANTIE ÉNONCE VOS RECOURS EXCLUSIFS À L'ÉGARD DU PRODUIT, QUE LA RÉCLAMATION SOIT DE NATURE CONTRACTUELLE OU DÉLICTEUELLE (Y COMPRIS LA RESPONSABILITÉ ABSOLUE OU LA NÉGLIGENCE) OU AUTRE. LA PRÉSENTE GARANTIE REMPLACE TOUTES LES AUTRES GARANTIES, EXPRESSES OU IMPLICITES. TOUTE GARANTIE IMPLICITE EN VERTU DE LA LOI, QUE CE SOIT À DES FINS DE QUALITÉ MARCHANDE OU D'ADAPTATION À UN BUT PARTICULIER, OU AUTREMENT, EST EN VIGUEUR UNIQUEMENT PENDANT LA PÉRIODE AU COURS DE LAQUELLE LA PRÉSENTE GARANTIE LIMITÉE EXPRESSE EST EN VIGUEUR. LE FABRICANT NE SERA EN AUCUN CAS RESPONSABLE DES DOMMAGES, PERTES OU FRAIS CONSÉCUTIFS, PARTICULIERS, ACCESSOIRES, INDIRECTS, ET/OU PUNITIFS, DES PERTES COMMERCIALES, Y COMPRIS, NOTAMMENT, LE TEMPS D'ABSENCE AU TRAVAIL, L'HÉBERGEMENT ET/OU LES REPAS AU RESTAURANT, LES FRAIS DE REMANIEMENT EN EXCÉDENT DES DOMMAGES DIRECTS QUI SONT MANIFESTEMENT CAUSÉS EXCLUSIVEMENT PAR THERMADOR OU AUTREMENT. CERTAINS ÉTATS NE PERMETTENT PAS L'EXCLUSION OU LA LIMITATION DES DOMMAGES ACCESSOIRES OU INDIRECTS ET CERTAINS ÉTATS NE PERMETTENT PAS LA LIMITATION SUR LA DURÉE D'UNE GARANTIE IMPLICITE, DE SORTE QUE LES LIMITATIONS CI-DESSUS PEUVENT NE PAS S'APPLIQUER À VOTRE CAS. LA PRÉSENTE GARANTIE VOUS DONNE DES DROITS JURIDIQUES SPÉCIFIQUES ET VOUS POUVEZ AVOIR ÉGALEMENT D'AUTRES DROITS QUI VARIENT D'UN ÉTAT À L'AUTRE.

Aucune tentative d'altérer, de modifier ou d'amender la présente garantie ne peut être applicable à moins d'une autorisation écrite par un représentant de BSH.

Contenidos

Acerca de este manual	1	Usar la hornilla	20
Cómo está organizado este manual	1	Hornear	20
Introducción	1	Convección	22
Seguridad	2	Ajustar el horneado/horneado por convección/Horneado	24
INSTRUCCIONES DE SEGURIDAD IMPORTANTES	2	Otros usos del horneado	25
Antes de Comenzar	7	Recomendaciones para hornear	26
Antes de Usar Su Estufa por Primera Vez	7	Asar	26
Descripción	8	Ajustar el modo de asar	27
Modelo y Identificación de Partes	8	Recomendaciones para asar y tostar	28
Modelo e Identificación de Partes — Estufa de 30"	9	Cuidado y mantenimiento .29	
Usar la parrilla	10	Limpieza de la estufa	29
Recomendaciones para los utensilios de cocina	14	Recomendaciones de limpieza	29
Utensilios especiales para cocinar	15	Mantenimiento hecho por usted mismo	34
Recomendaciones para Cocinar	16	Antes de solicitar servicio 35	
Recomendaciones para cocinar con los quemadores	16	DECLARACIÓN DE GARANTÍA LIMITADA DEL PRODUCTO	36
Acerca de la plancha eléctrica	18		
Recomendaciones para Cocinar con la Plancha	20		

Este electrodomestico de Thermador es hecho por
BSH Home Appliances Corporation
5551 McFadden Ave.
Huntington Beach, CA 92649

¿Preguntas?

1-800-735-4328

www.thermador.com

¡Esperamos oír de usted!

Acerca de este manual

Cómo está organizado este manual

Este manual contiene varias secciones:

- La sección de *Seguridad* describe precauciones de seguridad importantes. Por favor lea esta sección antes de utilizar su nuevo aparato.

- Las secciones "*Usar la Parrilla*" y "*Usar el horno*" describen cómo funciona y cómo operar el aparato y asegurar una larga vida del mismo.
- La sección de "*Cuidado y Mantenimiento*" describe como limpiar su aparato.
- La sección "*Antes de solicitar servicio*" incluye consejos para resolver problemas y su garantía.

Antes de usar su estufa, asegúrese de leer este manual. Ponga especial atención a las **Instrucciones de Seguridad** al principio del manual.

Introducción



ADVERTENCIA

El no observar la información en este manual podría provocar un incendio o una explosión, y como resultado daños a la propiedad, lesiones o la muerte.

- No guarde o use materiales combustibles, gasolina u otros vapores o líquidos inflamables cerca de este o cualquier otro aparato.
- **QUÉ HACER EN CASO DE OLER A GAS**
 - No trate de encender ningún aparato.
 - No toque ningún interruptor eléctrico.
 - No use ningún teléfono en su edificio.
 - Llame de inmediato a su proveedor de gas desde el teléfono de algún vecino. Siga las instrucciones de su proveedor de gas.
 - Cuando no pueda localizar a su proveedor de gas, llame a los bomberos.
- Un instalador calificado, una agencia de servicio autorizada o el proveedor de gas debe realizar la instalación y el servicio.

Las Estufas Profesionales de Thermador son unidades no empotradas que están disponibles en un gran número de configuraciones. Todos los modelos vienen con una superficie para cocinar con gas con un horno de convección de gas de tamaño profesional que incluye la capacidad para asar.

Verificación del Tipo de Gas

Verifique el tipo de gas suministrado en el lugar. Asegúrese que el aparato esté conectado al tipo de gas para el cual está certificado. Los modelos vienen de fábrica con certificado para el uso con gas natural o con gas propano (LP). Asegúrese que su estufa y tipo de gas sean el mismo. Consulte la etiqueta con información de producto que se encuentra como se indica en la página 35.



PRECAUCIÓN:

Cuando conecta la unidad a gas propano, asegúrese que el tanque de gas propano venga con su propio regulador de alta presión además del regulador de presión que se incluye con la estufa. **La máxima presión de gas en este aparato no debe exceder 14.0 pulgadas de columna de agua (34.9 mb) del tanque de gas propano al regulador de presión.**

Importante:

Todas las estufas deben ser instaladas con una consola trasera de protección. El modelo de 30" incluye una consola trasera baja y los modelos de 36" incluyen una moldura tipo isla. Se deben pedir por separado e instalar otras consolas traseras disponibles en la parte trasera de

la estufa. Las tres opciones para consola trasera de protección incluyen una consola baja, consola alta o moldura de isla al ras. Antes de usar la estufa, asegúrese que incluya una consola trasera de protección apropiada. NO trate de usar una consola que no esté diseñada para encajar con su modelo de estufa particular. Consulte las instrucciones de instalación que se incluyen con este aparato para obtener más información.

Este manual contiene información importante del uso y cuidado para todas las estufas profesionales de Thermador®. Cuando use este manual, es sumamente importante que conozca el número de modelo de su estufa, puesto que cierta información puede ser exclusiva para cada estufa. Usted puede encontrar el número de modelo en la placa de información ubicada en la estufa como se muestra en la página 35 de este manual. Las tablas en las siguientes páginas resumen los diferentes modelos de estufas e identifican las características de cada estufa.

Seguridad



INSTRUCCIONES DE SEGURIDAD IMPORTANTES

LEA Y GUARDE ESTAS INSTRUCCIONES

Requerimientos Eléctricos y de Gas e Instrucciones para la Puesta a Tierra

FAVOR DE LEER CUIDADOSAMENTE

30" Modelo del gas:

120 voltios, 60 Hz., Se requiere un circuito eléctrico de 10 Amp.

36" Modelo del gas:

1120 voltios, 60 Hz., Se requiere un circuito eléctrico de 10 Amp. 36" de alcance de gas con plancha eléctrica — Se requiere un circuito eléctrico de 20 Amp.



ADVERTENCIA:

SIEMPRE quite el enchufe eléctrico de la tomacorriente en la pared antes de dar servicio.

Recomendamos proporcionar un circuito dedicado para alimentar este aparato.

El uso de aparatos para cocinar con gas produce calor y humedad.



PRECAUCIÓN:

POR CUESTIÓN DE SEGURIDAD PERSONAL ESTE APARATO DEBE ESTAR CONECTADO A UNA TOMACORRIENTE CORRECTAMENTE ATERRIZADA Y POLARIZADA.



ADVERTENCIA:

Para evitar un posible riesgo de quemaduras o fuego, se debe instalar una consola trasera de protección diseñada específicamente para esta estufa, cada vez que se use la estufa.

Vea las instrucciones de instalación para los requerimientos eléctricos y las instrucciones para la puesta a tierra.


Es la responsabilidad personal y obligación de usted, el usuario, contratar a un eléctrico calificado para conectar este aparato a la fuente de alimentación eléctrica conforme al Código Eléctrico Nacional y/o códigos locales y reglamentos aplicables.



PRECAUCIÓN - TODOS LOS MODELOS: EN CASO DE UNA FALLA ELÉCTRICA

Si por algún motivo una perilla de gas está prendida y no hay corriente eléctrica para operar los encendedores eléctricos en los quemadores de gas de la parrilla, apague la perilla de control y espere 5 minutos para disipar el gas antes de prender el quemador manualmente.

Para prender los quemadores manualmente, sostenga un cerillo prendido cuidadosamente a los puertos del quemador y gire la perilla de

control de gas a . Durante una falla de luz, usted puede usar los quemadores estándar de la parrilla, pero los debe encender con un cerillo.

NO trate de encender el quemador izquierdo delantero manualmente. Este quemador viene equipado con la opción ExtraLow® (MuyBajo) y no se puede encender manualmente.

PROBADO CONFORME A:

- ANSI Z21.1 para Aparatos Domésticos de Gas
- UL858 para Estufas Eléctricas de Uso Doméstico
- CAN/CSA-22.2 No. 61-M89 para Estufas Domésticas
- CAN/CGA 1.1-M81 Estufas Domésticas de Gas

Consulte sus códigos locales de construcción para el método correcto de instalación. Si no hay códigos locales, se debe instalar esta unidad conforme al Código Nacional de Gas No. Z223.1 edición actual y el Código Eléctrico Nacional ANSI/NFPA No. 70 edición actual de los Códigos de Instalación Can - B149 para Aparatos que Usan Gas y del Código Eléctrico Canadiense C22.1 Parte 1.

Prácticas de Seguridad para Evitar Lesiones

Con el cuidado adecuado, su nueva estufa profesional de Thermador ha sido diseñada para ser un aparato seguro y fiable. Sin embargo, tenga mucho cuidado cuando use esta estufa de tamaño comercial ya que este tipo de aparato genera gran calor. Cuando use aparatos de cocina, se deben observar precauciones básicas, incluyendo las siguientes:

Lea este manual de uso y cuidado cuidadosamente antes de usar su nueva estufa para reducir el riesgo de fuego, una descarga eléctrica o lesiones.

Asegúrese de proporcionar una instalación y servicio apropiado. Siga las instrucciones de instalación que se incluyen con el producto. Contrate a un técnico calificado para instalar y conectar la estufa a tierra.

Pídale al instalador que le muestre dónde se encuentra la válvula de cierre de gas, de modo que usted sepa cómo y dónde apagar el suministro de gas a la estufa.

No repare o reemplace ninguna parte del aparato a menos que haya sido recomendado específicamente en este manual. Para cualquier otro servicio, contrate a un técnico calificado.

Nunca se deben dejar solos a los niños en un área donde se usa el aparato. Nunca se les debe permitir sentarse o pararse sobre ninguna parte de la estufa. Cuando se les permita usar la estufa a los niños, éstos deben ser supervisados de cerca por un adulto.



PRECAUCIÓN:

No almacene cosas de interés para los niños arriba de la estufa o en la parte trasera de ésta. Cuando los niños se suben a la estufa para alcanzar estas cosas, pueden sufrir heridas serias.

Cuando los niños llegan a una edad suficiente para operar el aparato, es la responsabilidad legal de los padres o de los tutores legales asegurar que personas calificadas los instruyan sobre prácticas seguras.

Nunca use ninguna parte de la estufa o del horno para almacenar cosas. Los materiales inflamables pueden encenderse y artículos de plástico pueden derretirse o quemarse.

No debe colgar artículos de ninguna parte del aparato o colocarlos contra el horno. Algunas telas son muy inflamables y pueden encenderse.

Es la responsabilidad del propietario y del instalador determinar si aplican requerimientos o normas adicionales en instalaciones específicas.

Si la estufa está cerca de una ventana, asegúrese que las cortinas no alcancen los quemadores de la estufa ya que se podrían encender.

Tenga un extintor de fuego disponible, cerca, altamente visible y de fácil acceso cerca de la unidad. **NO USE AGUA PARA UN INCENDIO DE GRASA.**

Apague el aparato y use bicarbonato de sodio o un extinguidor de polvo o de espuma para apagar el fuego.

Nunca permita el contacto de ropa, agarraderas de ollas u otros materiales inflamables con algún quemador

infrarrojo, quemador superior o rejilla del quemador hasta que se haya enfriado. Las telas pueden encenderse y causar lesiones serias.

Siempre use agarraderas secas para las ollas: Las agarraderas mojadas o húmedas pueden causar quemaduras por el vapor. No use una toalla u otro trapo estorbo en lugar de las agarraderas. No permita que las agarraderas toquen quemadores infrarrojos calientes, quemadores superficiales o rejillas del quemador.

Por cuestión de seguridad use ropa adecuada. No use ropa holgada o mangas que cuelguen flojas cuando usa este aparato. Algunas telas sintéticas son muy inflamables y no deben usarse cuando cocina.

No use papel de aluminio para forrar ninguna parte del horno o de la estufa. De modo contrario podría causar una descarga eléctrica o un fuego, o se podría obstruir el flujo del aire de combustión y de ventilación. El forro es un excelente aislador térmico que atraparé el calor. Esto afectará el desempeño de cocción y puede dañar el acabado del horno o de la estufa.

	<p>ATENCIÓN: NUNCA cubra ninguna ranura, agujeros o conductos en el fondo del horno, ni cubra toda una rejilla con materiales como papel de aluminio. De lo contrario puede bloquear el flujo de aire en el horno y causar envenenamiento por monóxido de carbono. Revestimientos con papel de aluminio podrían también retener el calor pudiendo ocasionar así un incendio.</p>
--	---

	<p>ADVERTENCIA — RIESGO DE VOLCADURA DE LA ESTUFA:</p> <ul style="list-style-type: none">• Todas las estufas pueden volcarse y producir lesiones. Para prevenir la volcadura accidental de la estufa, fíjela a la pared, al piso o al gabinete con el dispositivo antivolcadura que se incluye.• Cuando no se instala el aparato de acuerdo con estas instrucciones, existe el riesgo de una volcadura.• Cuando se jala la estufa de la pared por motivos de limpieza, servicio u otra razón, asegúrese de volver a embonar correctamente el dispositivo antivolcadura al volver a empujar la estufa contra la pared. En el caso de un uso poco normal (como alguien sentado, parado o recostado sobre una puerta abierta), el hecho de ignorar esta precaución puede causar la volcadura de la estufa y como consecuencia lesiones debido a líquidos
--	--

calientes derramados o por la misma estufa.

Precauciones de Seguridad



ADVERTENCIA:

El aparato sirve para cocinar. Basado en consideraciones de seguridad, nunca debe usar el horno o la parrilla para calentar una habitación. Además, tal uso puede dañar las partes de la parrilla o del horno.



ADVERTENCIA

NUNCA utilice esta unidad como un calentador para calentar el cuarto. El hacerlo puede resultar en envenenamiento por monóxido de carbono y sobrecalentamiento del horno.

Cuando usa la parrilla: **NO TOQUE LAS REJILLAS DE LOS QUEMADORES O EL ÁREA CERCANA.** Las áreas cercanas a los quemadores pueden calentarse suficientemente para causar quemaduras.

Nunca deje la parrilla sin atención cuando cocine con alto calor. Los derrames causan humo y se puede encender la grasa derramada. Más importante, al sofocar las llamas del quemador, se escapará el gas no quemado a la habitación. Vea adentro de la portada con respecto a información sobre fugas de gas.

Use solamente ciertos tipos de utensilios de vidrio, vidrio cerámico refractario, cerámica, barro u otros vidriados que están disponibles para cocinar con los quemadores de la estufa. Este tipo de utensilio puede romperse con cambios repentinos de la temperatura. Use solamente con bajo a mediano calor según las indicaciones del fabricante del utensilio.

No caliente contenedores cerrados de alimentos; la presión acumulada puede causar que el contenedor explote.

Durante la cocción, ajuste el control de los quemadores de tal forma que la llama caliente solamente el fondo de la olla y que no se extienda más allá del fondo de la olla.

Evite el uso de llamas altas con una olla más grande que la rejilla o con una olla que abarca más de un quemador, como una plancha, por periodos largos de tiempo. Esto puede causar una mala combustión que genera derivados nocivos.

Tenga cuidado para asegurar que las corrientes de aire producidas de aberturas de ventilación o ventiladores no

soplen material inflamable hacia las llamas o que empujen las llamas de modo que éstas se extiendan más allá de los bordes de la olla.

Siempre use ollas con un fondo plano suficientemente grandes para cubrir el quemador. El uso de ollas muy pequeñas podría dejar expuesta una parte de la llama y causar que la ropa se encienda.

Nunca se deben usar utensilios para hornear en la parrilla, como cazuelas grandes, bandejas de galletas, etc.

No use detergentes inflamables para limpiar la estufa.

Para reducir al mínimo el riesgo de quemaduras, el encendido de materiales inflamables y derrames accidentales, posicione los mangos de los utensilios hacia adentro de modo que no se extiendan encima de áreas cercanas de trabajo, áreas de cocinar o el borde de la parrilla.

Agarre el mango de la olla para evitar que se mueva el utensilio cuando remueva o voltee los alimentos.

NO USE ollas o sartenes en la bandeja accesoria de la parrilla.

No use plato accesorio para la parrilla para cocinar carnes muy grasosas o productos que promueven destellos.

Se debe quitar el accesorio opcional de la tabla para cortar antes de operar la plancha abajo o los quemadores adjuntos a éste.

LA GRASA ES INFLAMABLE. Permita que la grasa caliente se enfríe antes de tratar de manejarla. Evite la acumulación de depósitos de grasa. Limpie después de cada uso.

Para un encendido y un funcionamiento correcto de los quemadores, mantenga limpios los puertos del encendedor. Es necesario limpiarlos cuando hay un derrame de alimentos hervidos o cuando el quemador no se enciende bien, a pesar del chasquido de los encendedores electrónicos. Vea "Recomendaciones de limpieza" en la página 29.



ADVERTENCIA:

Apague el quemador después de un derrame de alimentos y limpie el área alrededor del quemador y los puertos del quemador. Después de la limpieza, revise el funcionamiento correcto.

Limpie la estufa cuidadosamente. Evite quemaduras de vapor; no use una esponja o un trapo húmedo para limpiar la estufa cuando esté caliente. Algunos detergentes

producen vapores nocivos cuando son aplicados a una superficie caliente. Siga las direcciones del fabricante del detergente.

Asegúrese que todos los controles de la parrilla están apagados y que la parrilla está fría antes de usar algún tipo de detergente aerosol encima o alrededor de la parrilla. El químico que provoca la acción de rocío podría encenderse o causar la corrosión de partes metálicas en presencia de calor.

Cuando se usa el horno: **NO TOQUE EL QUEMADOR INFRARROJO, LAS SUPERFICIES INTERNAS DEL HORNO O EL ÁREA EXTERIOR ALREDEDOR DE LA PUERTA.** Las superficies internas del horno se calientan suficientemente para causar quemaduras. El termorreflector, que desvía el calor de la parrilla y de la moldura en la parte superior y los costados de la puerta del horno, se calienta también cuando se usa el horno.

Coloque las rejillas del horno en la posición deseada mientras que el horno está frío. Cuando se debe quitar una rejilla mientras que el horno está caliente, no permita que las agarraderas tengan contacto con el quemador infrarrojo.

Tenga cuidado al abrir la puerta del horno; permita que el aire caliente o el vapor salga antes de sacar o meter alimentos.

No debe limpiar, frotar, dañar, mover o quitar el empaque de la puerta. Es esencial para un buen sellado durante el horneado. Cuando se desgasta el empaque o cuando se ensucia demasiado con restos alimenticios, reemplace el empaque para asegurar un buen sellado.

NO obstruya el flujo del aire de combustión o de ventilación.

Por cuestiones de seguridad y para no dañar el equipo, nunca debe sentarse, pararse o recostarse contra la puerta del horno.

Solamente técnicos autorizados deben dar servicio. Los técnicos deben desconectar la fuente de alimentación antes de dar servicio a esta unidad.

Escuche bien para asegurarse que el ventilador de enfriamiento funcione cada vez que se cambian los controles del horno a los modos de hornear o asar. Cuando no funciona el ventilador no use el horno. Llame a un centro de servicio autorizado.

Limpie la campana y los filtros del ventilador arriba de la estufa a menudo para no dejar que se acumule la grasa de los vapores de la cocina.

En caso de fuego o cuando "flamea" licores u otros vinos intencionalmente en la parrilla de la estufa, siga las instrucciones del fabricante de la campana.

Tenga precaución al cocinar alimentos con alto contenido en alcohol (por ejemplo, ron, brandy, burbon) en el horno. El alcohol se evapora a altas temperaturas. Existe el riesgo de quemaduras ya que los vapores del alcohol pueden encenderse en el horno. Use sólo pequeñas cantidades de alcohol en los alimentos, y abra la puerta del horno con cautela.



ADVERTENCIA:

Para evitar un posible riesgo de quemaduras o fuego se debe instalar una consola trasera de protección diseñada específicamente para esta estufa, cada vez que se usa la estufa.

Aviso Importante de Seguridad: La Ley del Estado de California para Agua Potable y Tóxicos requiere que el

Antes de usar su estufa por primera vez, revise que usted tenga estos artículos:

Tabla 1: Piezas y Accesorios del Horno

DESCRIPCIÓN	30" con 4 Quemadores	36" con Plancha	36" con 6 Quemadores
Rejillas del Horno	3	3	3
Bandeja de Asar, 2 Piezas	1	1	1
Tapas del Quemador	4	4	6
Rejilla Central	1		
Rejillas del Quemador	2	2	3
Perillas de Control	5	6	7
Plancha de Aluminio Revestido		1	
Tarjeta de Registro	1	1	1
Consola de Protección	1	*	*
Instrucciones de Instalación	1	1	1
Manual de Uso y Cuidado	1	1	1

*Se debe pedir por separado la consola trasera de protección. No se incluye con el embarque de la estufa.

Gobernador de California publique una lista de sustancias conocidas que causan cáncer, defectos de nacimiento u otros daños reproductivos, y requiere que las empresas adviertan a sus clientes de la exposición potencial ante tales sustancias.

La combustión de gas como combustible para cocinar puede generar algunos derivados que se encuentran en la lista. Para minimizar la exposición a estas sustancias, siempre opere este aparato de acuerdo a las instrucciones contenidas en este folleto y proporcione una buena ventilación.

No almacene o use químicos corrosivos, vapores, productos inflamables o no alimenticios en o cerca de este aparato. Este tipo de estufa está diseñada específicamente para calentar o cocinar alimentos. El uso de químicos corrosivos cuando calienta o limpia dañará el aparato y podría causar lesiones.

Antes de Comenzar

Antes de Usar Su Estufa por Primera Vez

Quite todos los materiales del empaque y las etiquetas temporales del horno y de la parrilla.

1. Asegúrese de tener los artículos listados en Tabla 1.
2. **Anote el número de modelo y de serie en la página 36. Vea "Placa con información del aparato."** Esta información puede ser utilizada en el futuro cuando contacte a su proveedor de servicios o la fábrica. Escriba esta información en la tarjeta de registro que se incluye con este producto y luego envíela a la dirección indicada.
3. **Accesorios opcionales.** Bandeja de asar, Kit para perilla, Tabla para cortar, Cubierta para la plancha, Anillo de soporte para wok y otros accesorios están disponibles con su distribuidor de Thermador.
4. **Posicione las rejillas correctamente en el horno.** La posición correcta de las rejillas depende de la receta y del modo de cocinar. Las posiciones de rejillas están numeradas desde abajo hacia arriba, igual que un elevador. La posición de rejilla 3 es la posición que se usa con mayor frecuencia. Coloque las rejillas en la posición correcta antes de prender el horno.

Inserte las rejillas del siguiente modo:

- a) Agarre la rejilla con el riel trasero en la posición arriba hacia el fondo del horno. Insértela en el horno de tal modo que la rejilla se deslice entre la rejilla y las guías.
 - b) Incline la parte delantera de la rejilla ligeramente hacia arriba cuando la deslice en el horno de modo que los topes de seguridad liberen los portarejillas. Los topes de seguridad en el fondo de la rejilla evitan que se pueda salir del horno cuando se jala hacia adelante.
5. **Asegúrese de asentar correctamente las tapas de los quemadores en las bases en la parrilla de la**

estufa. Prenda cada quemador para comprobar el color correcto de las llamas. Vea la página 14 para más detalles.

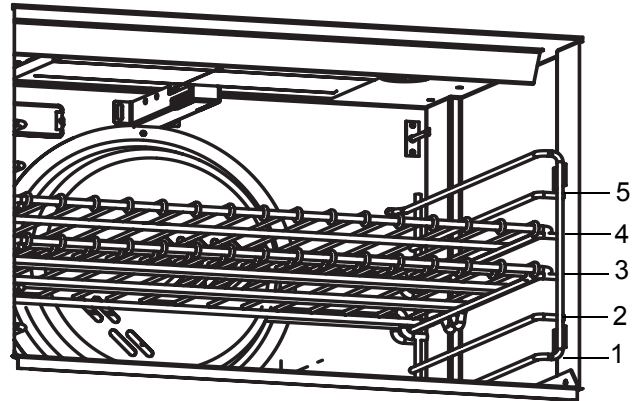


Figura 1: Posiciones de las rejillas en el horno



PRECAUCIÓN:

Nunca se debe usar papel de aluminio para cubrir las rejillas del horno o para forrar el horno. No se debe quitar el quemador infrarrojo en el horno de gas.

Antes de hornear o asar, se deben prender el horno y el asador para quemar los aceites de la fabricación. Prenda el horno a 450°F (230°C) por 20 a 30 minutos; luego cambie el asador a "Asar" durante el mismo periodo de tiempo. Si desea puede prender el ventilador arriba de su estufa durante este tiempo. Tome nota por favor, que es normal ver pequeñas cantidades de humo que salen de la estufa durante el proceso del uso inicial.

Por favor lea "Cuidado y mantenimiento" en la página 29 antes de limpiar las rejillas del horno.

Descripción

Modelo y Identificación de Partes

Clave para 36" Modelos — Estufa de 36"

1. Consola trasera de protección con altura de 22", consola baja de 9" omoldura de isla al ras (Se deben pedir por separado la charola para ollas y la consola trasera)
2. Rejillas y quemadores
3. Perilla de control, quemador ExtraLow® (2)
4. Perillas de control, quemadores estándar (4)
5. Selector de temperatura del horno
6. Selector de modo del horno
7. Puerta del horno
8. Ventana
9. Panel para los pies
10. Patas de la estufa (4)

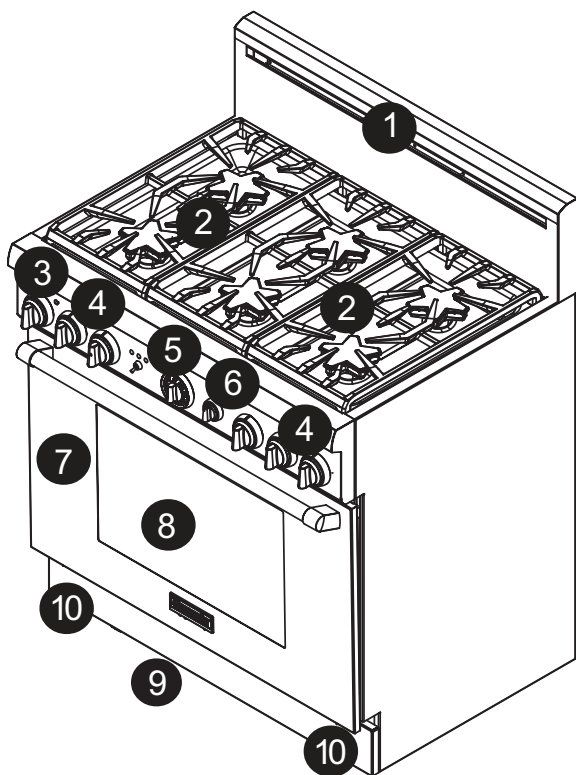


Figura 2: 36" Modelos



ADVERTENCIA:

No quite las patas de la estufa para proporcionar una ventilación adecuada.

- 11) Luz interior del horno
- 12) Quemador de asado
- 13) Termostato del horno
- 14) Guías para rejillas
- 15) Rejillas deslizantes del horno (3 incluidas)
- 16) Quemador para hornear (oculto)
- 17) Tapa del ventilador de convección
- 18) Encendedor incandescente para asar

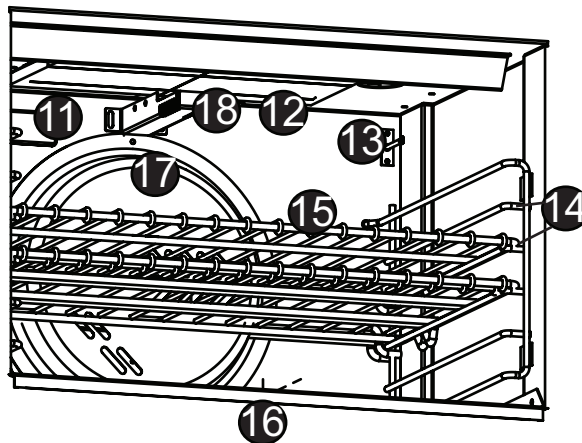


Figura 3: Interior del horno de gas

Modelo e Identificación de Partes — Estufa de 30"

Clave para 30" Modelo

1. Consola trasera de protección con altura baja de 6" — se muestra (La moldura tipo isla y la consola alta deben pedirse por separado)
2. Rejillas y quemadores
3. Rejilla central
4. Perilla de control, quemador ExtraLow® (2)
5. Perillas de control, Quemadores estándar (2)
6. Selector de temperatura del horno
7. Selector de modo del horno
8. Puerta del horno
9. Ventana
10. Panel para los pies
11. Patas de la estufa (4)

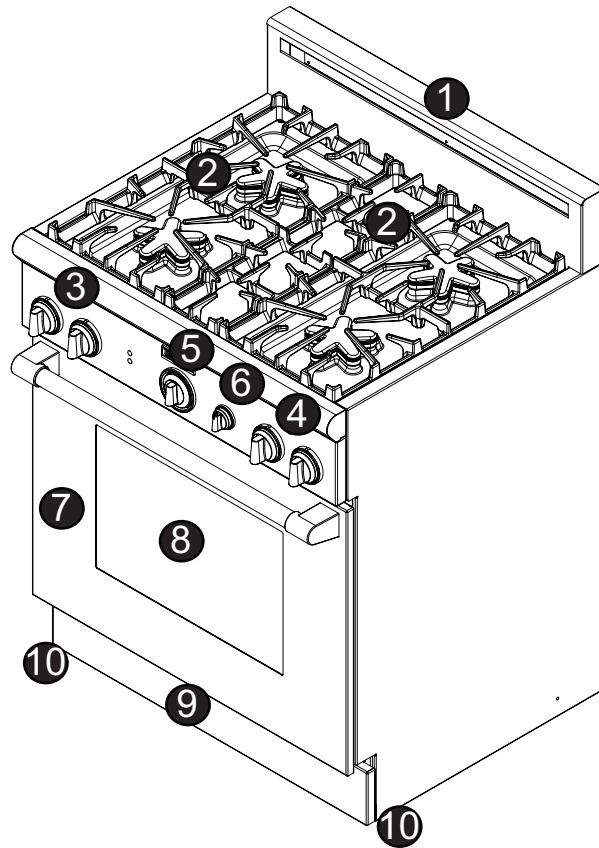


Figura 4: 30" Modelo



ADVERTENCIA:

No quite las patas de la estufa para proporcionar una ventilación adecuada.

Interior del horno de gas

Por favor vea Figura 3.

Usar la parrilla

Quemadores sellados tipo estrella

Su estufa nueva incluye quemadores sellados tipo estrella. No hay partes de los quemadores debajo de la estufa que se tienen que limpiar, desmontar o ajustar. La parrilla viene con cuatro o seis quemadores de gas; cada uno para manejar una salida de 15,000 BTU/HR. Los quemadores están sellados al bastidor superior de acero inoxidable para evitar que derrames líquidos se acumulen debajo de la superficie, facilitando de este modo la limpieza. Esto asegura que los conjuntos de los quemadores sean fáciles de limpiar. En todos los modelos, el quemador delantero izquierdo tiene la opción exclusiva ExtraLow, los quemadores restantes son estándar. Cada quemador tiene su propia perilla de control.

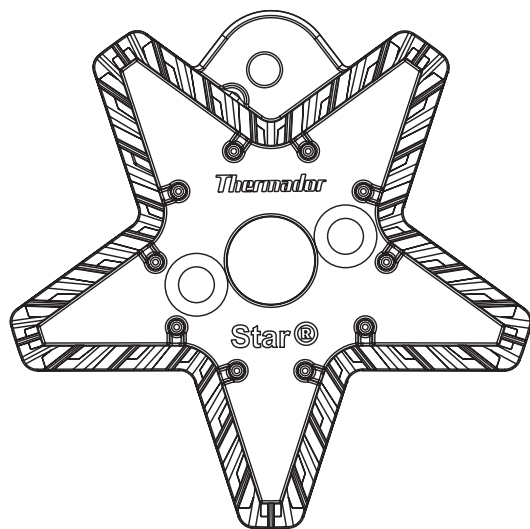


Figura 5: Base de quemador de bronce en forma de estrella

Perillas de Control

Las perillas de control para dos quemadores sellados de gas, uno en la parte delantera y uno en el fondo, se encuentran directamente en frente de y debajo del par de quemadores en el panel de control.

El símbolo arriba de cada perilla de control identifica ya sea la posición del quemador en la parrilla o el control de la plancha, dependiendo de su modelo.

Quemador TRASERO IZQUIERDO: **Quemador DELANTERO IZQUIERDO:**



Quemador CENTRAL TRASERO:

Quemador CENTRAL DELANTERO:



Quemador TRASERO DERECHO:

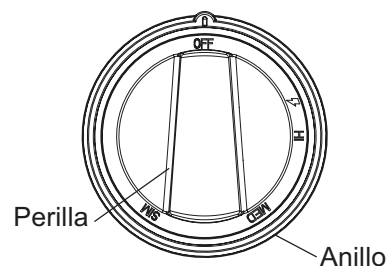
Quemador DELANTERO DERECHO:




PLANCHA:



Indicador de ajuste



Operación de los Quemadores

- Oprima la perilla y gírela en sentido opuesto del reloj a la posición  en la perilla.
- El encendedor para el quemador seleccionado hace un chasquido y echa chispas.
- Después de encender la llama, el chasquido del encendedor se detiene.
- Gire la perilla a cualquier ajuste de la llama entre **HI** y **SIM** (Alto y Hervir a fuego lento).
- Cuando se prenden los quemadores cercanos, se ilumina la luz azul señaladora entre los quemadores. Se quedará prendida la luz hasta apagar los quemadores cercanos.

BTU para quemadores estándar

- **HI** equivale a 15,000 BTU / HR (13,000 BTU/HR con gas propano).
- **SIM** equivale a 2,100 BTU / HR.

BTU para quemador ExtraLow®

- **HI** equivale a 15,000 BTU / HR (13,000 BTU/HR con gas propano).
- **SIM** equivale a 3,000 BTU / HR.
- **XLO** equivale a 370 BTU / HR.

Quemadores ExtraLow®

El control para el quemador delantero izquierdo tiene ajustes de las llamas aún más bajos que los ajustes estándar para el modo **SIM** (hervir a fuego lento).

Variando la duración de tiempo que se prende y apaga la llama, se puede reducir el calor aún más para cocinar alimentos delicados. Por ejemplo, estos ajustes de calor muy bajo son apropiados para hervir a fuego lento y para escalfar, derretir chocolate y mantequilla, mantener calientes alimentos cocidos a temperaturas sin quemarlos, etc.

Operación del quemador ExtraLow

- Se logra el ajuste más bajo de calor, **XLO**, al prender la llama por aprox. 8 segundos y apagarla por 52 segundos de cada minuto.
- Cuando se ajusta la perilla justamente debajo de la posición **SIM**, se prende la llama por aprox. 8 segundos y se apaga por 52 segundos de cada minuto.
- Para variar la cantidad de bajo calor y para adecuarse a los alimentos y las cantidades, se puede ajustar el control en cualquier posición dentro del rango de **SIM** y **XLO** marcado en la perilla.

Técnicas ExtraLow

- El tipo y la cantidad de alimentos afectan al ajuste que se debe usar.
- La olla seleccionada afecta al ajuste de calor. Su tamaño, tipo, material y si se usa una tapa, todos afectan la consistencia de la temperatura de cocinar.
- Para mantener un bajo calor, se debe calentar el alimento hasta hervir. Revuelva bien, luego tape la olla y baje el calor a un ajuste un poco abajo de **SIM**.
- Revise periódicamente para ver si se debe girar la perilla de control a otro ajuste.
- Cuando se usa una olla extra grande, la acción de hervir a fuego lento (SIM) puede ocurrir principalmente en el centro de la olla. Para igualar la temperatura en todo el alimento, revuélvalo bien en los extremos exteriores de la olla hacia el centro del alimento.
- Es normal revolver el alimento de vez en cuando mientras lo hierve a fuego lento. Esto es muy importante cuando lo hace por varias horas, como para una salsa casera de espaguetis o frijoles.
- Cuando baja el ajuste de la llama, hágalo poco a poco.
- Si el ajuste está muy bajo para seguir hirviendo a fuego lento, vuelva a hervir el alimento antes de reajustar a un calor más fuerte.
- Es normal ver burbujas del fuego lento inmediatamente después de revolver el alimento.
- Puede haber burbujas cuando la llama se prende y se apaga en ciclos y ninguna burbuja cuando la llama está apagada. Aún cuando la llama está apagada, habrá vapor y una ligera agitación en la superficie del líquido.

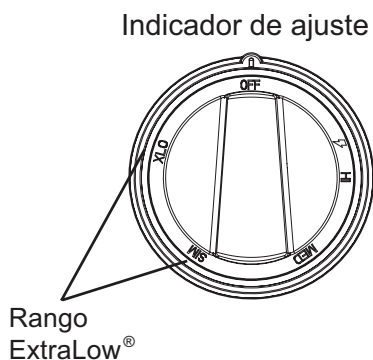


Figura 7: Perilla de control del quemador ExtraLow®

El dibujo muestra que la perilla de control tiene un rango adicional entre el ajuste **SIM** y **XLO**. Cuando se ajusta la perilla dentro de este rango, la llama se prende y se apaga.

Colocación de las tapas de quemadores

Para que la parrilla funcione correctamente es necesario colocar las tapas de los quemadores correctamente en sus bases. De lo contrario puede ocurrir uno o varios de los siguientes problemas:

- Las llamas de los quemadores están muy altas.
- Llamas salen disparadas de los quemadores.
- Los quemadores no se encienden.
- Las llamas de los quemadores no se encienden uniformemente.
- Los quemadores producen un olor a gas.

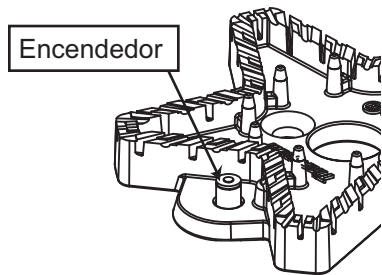


Figura 8: Encendedor

Cada quemador tiene su propio encendedor electrónico que echa chispas cuando se prende el quemador. Cada quemador debe encenderse dentro de 4 segundos o menos. Si un quemador no se enciende revise que la tapa esté colocada correctamente sobre la base.



ADVERTENCIA:

No toque los quemadores cuando los encendedores echan chispas.

Si un quemador no quiere encender, consulte la sección "Antes de solicitar servicio" en la página 35.



ADVERTENCIA:

Para prevenir destellos y evitar la formación de derivados nocivos, no use la parrilla sin que todas las tapas de los quemadores y las rejillas estén colocadas correctamente.



ADVERTENCIA:

Para prevenir quemaduras, no toque las tapas de los quemadores o las rejillas mientras estén calientes. Apague la parrilla y permita que se enfríen los quemadores.

Revisar la colocación de las tapas de quemadores

- Revise cada quemador para asegurar que no quede ningún hueco entre la tapa y la base del quemador. Vea las Ilustraciones 10 y 11: Colocación correcta e incorrecta de las tapas de quemadores para ver ejemplos de cómo colocar las tapas de los quemadores de modo correcto e incorrecto.
- Usted puede tratar de mover las tapas de los quemadores suavemente de un lado a otro para verificar que las tapas están colocadas correctamente en sus bases. Cuando se coloca correctamente, cada tapa de quemador quedará asentada en forma plana sobre su base y cubrirá completamente la base del quemador en forma de estrella cuando se ve desde la parte superior como se muestra en la Ilustración 10: Colocación correcta de las tapas de quemadores.

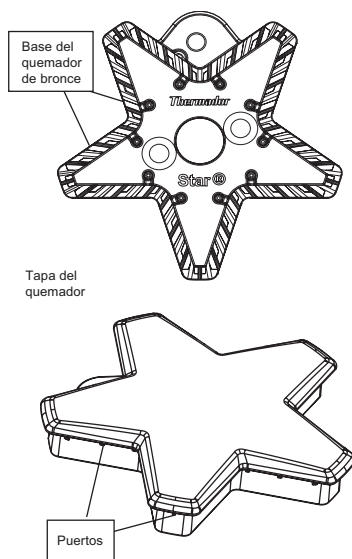


Figura 9: Componentes del quemador tipo estrella

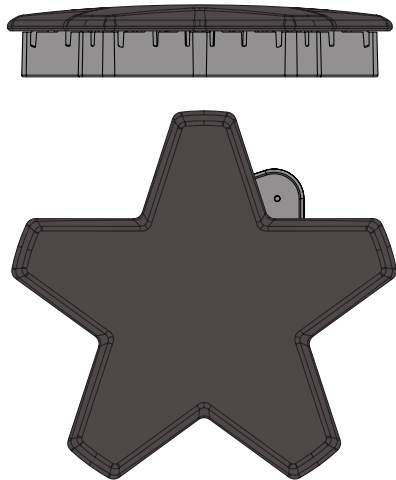


Figure 10 : Colocación correcta de las tapas de quemadores

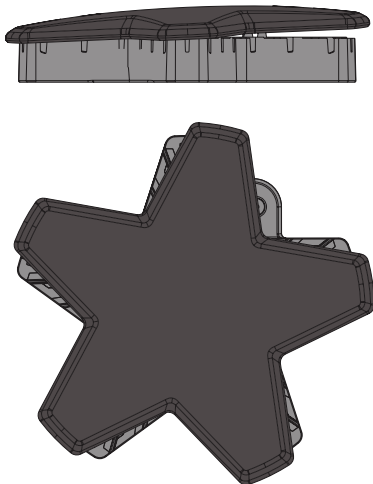


Figure 11 : Colocación incorrecta de las tapas de quemadores

Reencendido Automático


Si se apagan las llamas de uno o más quemadores, el encendedor electrónico echa chispas automáticamente para volver a encender la llama. **No toque los quemadores cuando los encendedores echan chispas.**

Importante:

- Para una combustión adecuada no use la parrilla sin tener las rejillas de los quemadores en su lugar.

- Hay un ligero sonido asociado con la combustión de gas y el encendido. Esta es una condición normal.
- En parrillas que usan gas propano (LP), se puede escuchar un ligero sonido de estallido ("pop") en los puertos del quemador durante algunos segundos después de haber apagado el quemador.

Falla de Electricidad

- Solamente en el caso de una falla de electricidad pueden encenderse manualmente los quemadores estándar. Es necesario encender cada uno individualmente.
- Si se está usando la parrilla cuando se va la luz, gire **todas** las perillas a la posición **OFF** (Apagado).
- Se pueden encender los quemadores estándar con un cerillo prendido cerca de los puertos y girando la perilla de control a la posición . Espere hasta que la llama envuelva toda la tapa del quemador antes de ajustar la llama a la altura deseada.
- No se puede usar el quemador ExtraLow durante una falla de electricidad. **Asegúrese de apagarlo.**
- Si el quemador ExtraLow está prendido cuando se va la luz, no se puede volver a prender hasta no apagar primero la perilla.
- No se pueden usar la plancha durante una falla de luz.
- Si huele a gas, consulte las precauciones de seguridad listadas dentro de la portada.



ADVERTENCIA:

En el caso de una falla de electricidad se deben girar todas las perillas a la posición **OFF** (Apagado). Solamente se pueden encender los quemadores estándar.

Altura de la Llama

- La altura correcta de la llama depende de 1) tamaño y material de la olla utilizada; 2) alimento que se está preparando; y 3) cantidad de líquido en la olla.
- Nunca extienda la llama más allá de la base de la olla.
- Use una llama baja o mediana para ollas con materiales que conducen el calor lentamente, como acero porcelanado o vidrio cerámico.

Descripción de la Llama

- La llama del quemador debe ser de color azul sin puntas amarillas. Es bastante común ver el color naranja en las llamas; esto indica que se están quemando las impurezas suspendidas en el gas y desaparece con el uso.

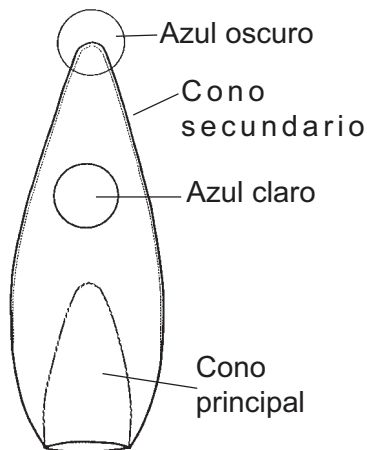


Figura 12: Color de la llama

- Con gas propano (LP), es normal tener algunas puntas de color amarillo en el cono principal.
- La llama debe quemar completamente alrededor de la tapa del quemador. En caso contrario revise que la tapa esté colocada correctamente sobre la base y que los puertos no estén tapados.
- La llama debe estar estable sin ruido o flameado excesivo.



ADVERTENCIA:

La combustión de gas como combustible para cocinar puede generar cantidades pequeñas de Monóxido de Carbono, Benceno, Formaldehído y Hollín. Para minimizar la exposición a estas sustancias, un instalador o agencia certificada debe ajustar los quemadores para asegurar una combustión apropiada. Asegure una buena ventilación con una ventana abierta o use un ventilador o una campana cuando cocine con gas. Siempre opere el aparato de acuerdo a las instrucciones en este manual.

Recomendaciones para los utensilios de cocina



ADVERTENCIA:

Para evitar riesgo de lesión seria, el daño a la aplicación o el cookware, observa por favor el siguiente:

- Nunca se deben usar utensilios para hornear en la parrilla, como cazuelas grandes, bandejas de galletas, etc.

- Las ollas grandes para caldos deben colocarse en forma escalonada cuando se usan en la parrilla.

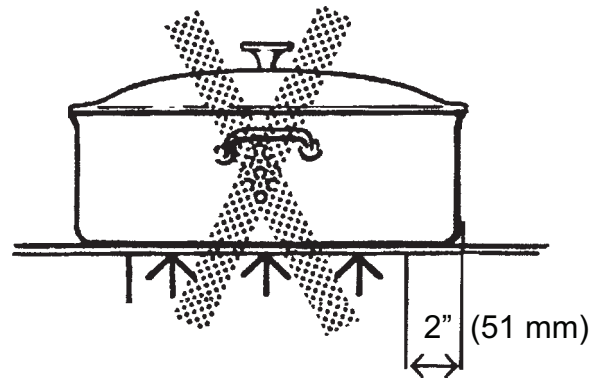


Figura 13: Diámetro de la base

- Seleccione el diámetro de la base para que coincida con el diámetro de la llama. El diámetro de la llama debe ser del mismo tamaño que la base de la olla o ligeramente más pequeña. Ollas demasiado grandes o pequeñas perjudican el desempeño. Generalmente un tamaño de olla de 5 -1/2" (140 mm) es el más pequeño que se recomienda.



Figura 14: Olla balanceada

- El balance es importante para la estabilidad y una cocción uniforme. La agarradera no debe ser más pesada que la olla y no inclinada uniformemente. Una olla debe sentarse al ras sobre la rejilla sin balancearse.
- No se deben colocar alimentos empacados en papel de aluminio directamente sobre la rejilla del quemador. El papel de aluminio puede derretirse durante la cocción.
- No permita que artículos de plástico, papel o tela tengan contacto con una rejilla caliente de un quemador. Se pueden derretir y encender.
- Nunca hierva una olla hasta quedar seca. Esto puede dañar su olla y la superficie de cocinar.

- Recomendamos utilizar ollas de calidad profesional con agarraderas de metal porque agarraderas de plástico pueden derretirse o ampollarse cuando la llama se sube por el costado de la olla. Se pueden encontrar las ollas de calidad profesional en tiendas de suministro para restaurantes y tiendas especiales. Todos los utensilios de cocina deben tener estas características: buena conductividad de calor, buen balance, diámetro de la base de tamaño correcto, una base plana, pesada y una tapa que cierra bien.
- Para lograr mejores resultados, se debe contener la llama debajo del fondo de la olla.
- El aluminio y el cobre son materiales de ollas que conducen el calor de un modo rápido y uniforme. Estos metales se encuentran a veces en la base o en el centro de la olla entre partes de acero inoxidable.

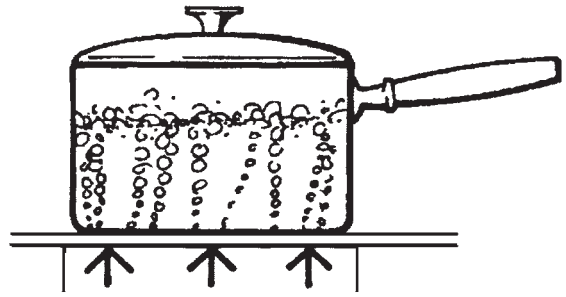


Figura 16: Olla tapada

- Una tapa bien ajustada acorta el tiempo de cocinar y facilita el uso de ajustes más bajo de calor.

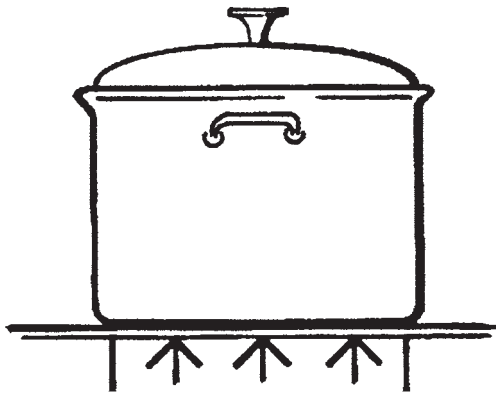


Figura 15: Olla de base plana

- Una base plana, pesada es más apta de permanecer plana cuando se calienta. Bases de ollas deformadas, dentadas, estriadas o muy ligeras calientan de un modo poco uniforme. Caliente y enfríe las ollas gradualmente para evitar cambios repentinos de la temperatura lo cual tiende a deformar las ollas. No agregue agua fría a una olla caliente.

Utensilios especiales para cocinar

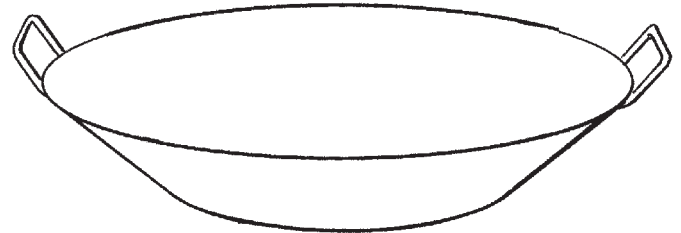


Figura 17: Olla Tipo Wok con Base Plana

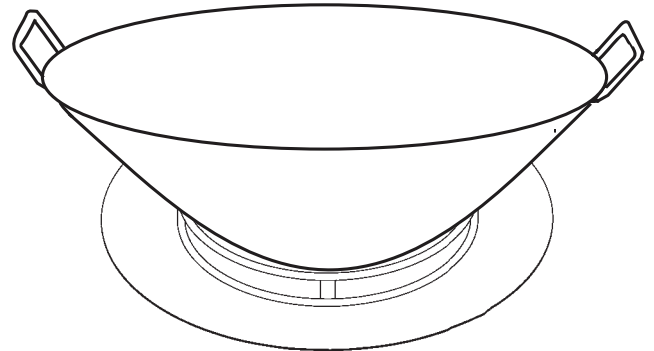


Figura 18: Wok con Base Redonda en un Anillo de Soporte

- **Woks** — Se pueden usar ya sea woks con base plana o redonda con el anillo de soporte en los modelos que no incluyen un quemador para wok. Para los woks de base redonda se debe usar el anillo de soporte. Se debe comprar por separado el anillo de soporte para wok de hierro fundido aporcelanado.
- **Enlatadores y ollas grandes para caldos** — Seleccione una con un diámetro de base que no se extienda más de 2 pulgadas (51mm) de la rejilla.

Enlatador estándar con baño de agua

21 a 22 cuartos de galón (19.95 a 20.9 litros), con una base de 11 a 12 pulg. (279 a 305 mm) y una profundidad de 9 a 11 pulg. (229 a 279 mm).

Enlatador estándar de presión

8 a 22 cuartos de galón (7.6 a 20.9 litros), con una base de 8 a 11 pulg. (203 a 279 mm) y una profundidad de 6 -1/2" a 12 pulg. (165 - 305 mm).

Consejos para Enlatar:

- Se prefiere usar una base plana que una cóncava (hueca), convexa o estriada.
- Cuando usa dos enlatadores al mismo tiempo, use quemadores escalonados. No debe bloquear el aire a los quemadores. Una llama necesita la cantidad correcta de aire para una combustión completa.
- Use una tapa sobre un enlatador cuando calienta el contenido hasta hervir.

- Una vez que el contenido haya hervido en la posición **HI** (alto calor), use la llama más baja posible para mantener el hervido o la presión.
- El enlatado produce grandes cantidades de vapor. Tenga cuidado para evitar quemaduras.

Recomendaciones para Cocinar

Sugerencias para Usar las Recomendaciones

Use la tabla en las página 16 a página 18 como una guía. Los ajustes que usted utilizará varían dependiendo de las ollas seleccionadas y de la temperatura inicial de los alimentos.

En la tabla se ha separado el "Ajuste de Terminado" para los quemadores estándar y el quemador ExtraLow. Puede o no haber un cambio entre los dos ajustes de quemadores.

El ajuste del quemador ExtraLow puede ser un ajuste para cocinar o para mantener los alimentos calientes.

Suba o baje el ajuste de la llama gradualmente. Permita tiempo para que la olla y el alimento se puedan ajustar al nuevo ajuste de calor.

Recomendaciones para cocinar con los quemadores

Alimento	Ajuste Inicial	Ajuste Final Quemador Estándar	Ajuste Final Quemador ExtraLow®
BEBIDAS Cocoa (Chocolate)	MED – calentar leche	SIM – terminar de calentar	XLO – mant. caliente, tapar*
PANES Pan Francés, Crepas, Sándwich a la parrilla	MED – precalentar sartén	SIM a MED – cocinar	Igual que quemador estándar
MANTEQUILLA Derretir	SIM - comenzar a derretir		Permitir 5 a 10 minutos para derretirse
CEREALES Harina de maiz, Sémola, Avena	HI – tapar, hervir el agua, agregar el cereal	SIM a MED – terminar de cocinar según indicaciones en el empaque	Igual que quemador estándar XLO – mantener, tapar*

* Recomendamos revolver los alimentos ocasionalmente.

Alimento	Ajuste Inicial	Ajuste Final Quemador Estándar	Ajuste Final Quemador ExtraLow®
CHOCOLATE Derretir	XLO - se puede revolver para acelerar el derretimiento		XLO – permitir 10 a 15 minutos p/derretirse XLO – mantener*
POSTRES Caramelos	SIM a MED – cocinar según receta	SIM a MED	Igual que quemador estándar
Pudín y Relleno para Pay	SIM a MED SIM - cocinar según las indicaciones emp.	SIM	Igual que quemador estándar
Pudín	SIM a MED SIM – hervir la leche	SIM	Igual que quemador estándar
HUEVOS Cocidos en la cáscara	MED HI – tapar, hervir el agua, agregar huevos, tapar		XLO – cocinar 3 a 4 minutos para quedar suave; o 15 a 20 minutos para quedar duros
Fritos, Revueltos	SIM a MED – derretir manteq., agr. huevos	SIM - terminar de cocinar	Igual que quemador estándar
Escalfados	HI – hervir agua, agregar huevos	SIM a MED – terminar de cocinar	Igual que quemador estándar
CARNE, PESCADO, AVE Tocino, Salchichas	MED HI – hasta que la carne empieza a chisporrotear	SIM a MED – terminar de cocinar	Igual que quemador estándar
En su jugo: Filete Suizo, Estofado, Guisar carne	MED HI – derretir grasa, dorar en MED HI , agr. líquido, tapar		XLO - Simmer until tender
Freir rápido: Filetes de desayuno	MED HI – precalentar sartén	MED HI – freir rápidamente	Igual que quemador estándar
Freir: Pollo	MED HI – calentar aceite, dorar en MED	SIM – tapar, terminar de cocinar	Igual que quemador estándar
Freir con mucho aceite: Camarones	MED HI – calentar aceite	MED a MED HI – para mantener la temp.	Igual que quemador estándar
Freir: Chuletas cordero, Filetes delg., Hamburg., Salchichas enteras	MED HI –precalentar sartén	MED HI – dorar carne	Igual que quemador estándar XLO – mantener
Escalfar: Pollo, entero o piezas, pescado	MED HI – tapar, hervir los líquidos		Para terminar de cocinar
Hervido a fuego lento: Pollo estofado, Corned Beef, Lengua, etc.	HI – tapar, hervir los líquidos		XLO – hervir a fuego lento XLO –mantener, tapar*
PASTAS Macarrones, Fideo, Espaguetis	HI – hervir el agua, agregar la pasta	MED a MED HI – para mantener un hervido fuerte	Igual que quemador estándar
PALOMITAS (usar una olla plana, pesada)	HI – tapar, calentar hast reventar granos	MED HI – terminar de reventar	Igual que quemador estándar
OLLA DE PRESIÓN Carne,	MED HI a HI – aumentar presión	SIM a MED – mantener presión	Igual que quemador estándar

* Recomendamos revolver los alimentos ocasionalmente.

Alimento	Ajuste Inicial	Ajuste Final Quemador Estándar	Ajuste Final Quemador ExtraLow®
Verduras	HI – aumentar presión	SIM a MED – mantener presión	Igual que quemador estándar
ARROZ	HI – cubra, caliente el agua y el arroz hasta que hierva.	SIM para mantener hirviendo bajo Cubra y cocine hasta que se absorba el agua.	Igual que quemador estándar XLO – mantener, tapar
SALSAS A base de tomate	MED HI – cocinar carne/verduras, seguir la receta	SIM para cocer a fuego lento	XLO – fuego lento (para espesar la salsa, destapado).
Blanca, Crema, Bernesa	MED – derretir la grasa, seguir la receta	SIM – terminar de cocinar	XLO –mantener, tapar*
Holandesa	XLO		XLO – mantener el ajuste de calor más bajo por un período corto, revolver frecuentemente
SOPAS, CALDOS	HI – tapar, hervir el líquido	SIM para cocer a fuego lento	Fuego lento XLO – mantener, tapar*
VERDURAS Frescas	HI – tapar, hervir el agua y las verduras	SIM a MED – cocinar 10 min., o hasta quedar suave	Igual que quemador estándar XLO – mantener, tapar
Congeladas	HI – tapar, hervir el agua y las verduras	MED SIM a MED – cocinar según las indicaciones empaq.	Igual que quemador estándar
Freir con mucho aceite	HI – calentar aceite	MED a MED HI – mantener temperat. de freir	Igual que quemador estándar
En bolsa	HI – hervir el agua y bolsa	SIM a MED – cocinar según las indicaciones empaq.	Igual que quemador estándar
Sofreir	MED HI – calentar aceite o derretir mantequilla y agregar verduras	SIM a MED – cocinar al término deseado	Igual que quemador estándar
Freir con poco aceite y removiendo	HI – calentar aceite, agregar verduras	MED a MED HI – terminar de cocinar	Igual que quemador estándar

* Recomendamos revolver los alimentos ocasionalmente.

Acerca de la plancha eléctrica

Descripción

(disponible en algunos modelos)

La plancha incorporada está hecha de aluminio de calidad de restaurante, con una cubierta antiadherente. Esto crea una superficie con calor uniforme que resulta fácil de limpiar. Una placa de madera de arce, la cubierta de acero

inoxidable, y una chapa para la parrilla forrada de aluminio, están disponibles como accesorios y se compran por separado. La placa de madera de arce y la cubierta de acero inoxidable tienen un tamaño que encajan sobre la superficie cuando no se está usando la plancha. El accesorio de la bandeja de la parrilla cubierta con aluminio está diseñada para reemplazar la bandeja de la parrilla.

Antes de prender la plancha **se deben quitar** el bloque de madera de arce para cortar y la cubierta de acero inoxidable.

- el elemento de la plancha eléctrica tiene un régimen eléctrico de 120 voltios AC, 1,600 watts.



PRECAUCIÓN

El elemento de la plancha está caliente después de usarlo. Permita suficiente tiempo para que se enfríen los componentes de la plancha antes de limpiarla.

Perilla de Control

- La plancha está controlada electrónicamente con temperaturas marcadas en la perilla de 150°F a 500°F.
- No hay ajustes fijos en la perilla
- Oprima y gire la perilla en sentido contrario a las agujas del reloj y ajústelo a la temperatura deseada.

Plancha

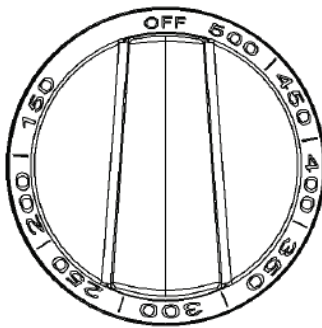


Figura 19: Plancha Perilla de Control

Preparar la Plancha

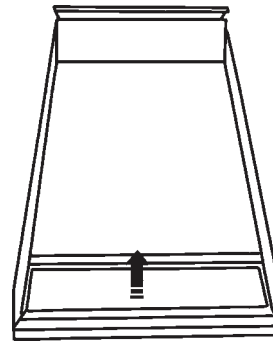
Se debe inclinar la plancha ligeramente hacia adelante para un óptimo desempeño. Vea el manual de instalación para el procedimiento de comprobar y ajustar la plancha para lograr una inclinación correcta de la bandeja. Durante la instalación, el instalador es responsable de nivelar el producto. Se debe lavar la bandeja de la plancha con agua caliente jabonosa y luego enjuagarla con agua limpia antes de usarla. Se puede usar la plancha sin ninguna mantequilla, margarina o aceite. Sin embargo, se puede usar una cantidad pequeña para dar sabor a los alimentos.

Se puede usar cualquier utensilio en la superficie de la plancha.

Tenga cuidado de no dañar la superficie.

Colector de Grasa de la Plancha

- Empuje el colector debajo del borde delantero del saliente de la plancha para captar la grasa o restos alimenticios.
- Limpie el colector después de cada uso. Cuando quite el colector, tenga cuidado al inclinarlo para no derramar el contenido. (vea la ilustración)
- Después de enfriarse, eche la grasa en un contenedor resistente a grasas para su eliminación.



Para quitar el colector, deslícelo hacia atrás y levántelo

Figura 20: Colector de Grasa de la Plancha

Cocinar en la plancha

1. Verifique que el colector de grasa está metido debajo del saliente de la bandeja de la plancha.
2. Gire la perilla a la temperatura de cocinar para precalentar la plancha.
3. Precaliente de 10 a 12 minutos.
4. Añada mantequilla, margarina, aceite o manteca para el sabor.

AVISO:

El rendimiento de la plancha/parrilla puede variar si el flujo de aire en la vecindad del aparato es demasiado elevado. El flujo de aire excesivo podría provenir de un registro de aire acondicionado o de un ventilador de techo que sopla hacia el aparato. Esto podría prolongar el tiempo de calentamiento o resultar en temperaturas de la plancha/parrilla que no corresponden al ajuste indicado por los botones.

Nota:

Un ventilador de aeración adecuadamente instalado no es considerado como una fuente de flujo de aire excesivo.

Recomendaciones para Cocinar con la Plancha

ALIMENTO	AJUSTE
Huevos	325°F a 350°F (160°C a 180°C)
Tocino; Salchicha chica	375°F a 400°F (190°C a 200°C)
Sándwiches tostados	350°F a 375°F (180°C a 190°C)
Pechuga pollo s/hueso	375°F a 400°F (190°C a 200°C)
Chuletas s/hueso (1")	375°F a 400°F (190°C a 200°C)

ALIMENTO	AJUSTE
Filete, grueso 1"	400°F a 425°F (200°C a 220°C)
Carne molida (hamburguesas 6 onzas)	375°F a 400°F (190°C a 200°C)
Perritos calientes	350°F a 375°F (180°C a 190°C)
Reban. jamón (1/2")	350°F a 375°F (180°C a 190°C)
Crepas, Pan Francés	375°F a 400°F (190°C a 200°C)
Papas; cebollas dorad.	375°F a 400°F (190°C a 200°C)

Usar la hornilla

Hornear

Consejos para Hornear

Precalentar el Horno

Precaliente el horno antes de cocer alimentos, excepto piezas grandes de carne o pollo. Consulte su receta para recomendaciones del precalentado. El tiempo del precalentado depende del ajuste de temperatura y de la cantidad de rejillas en el horno.

Para Obtener Mejores Resultados

- Minimice abrir la puerta:
 - Use un cronómetro de minutos.
 - Use la luz interna del horno.
- Escoja el utensilio de tamaño correcto; use el utensilio recomendado en la receta.

- Guarde las bandejas de asar fuera del horno. Una bandeja o molde extra sin alimentos afecta el dorado y el horneado.
- El tipo de molde utilizado afecta el dorado.
 - Para una corteza suave, dorada use moldes claros de teflón/anodizados o brillosos de metal.
 - Para una corteza dorada, crujiente use moldes oscuros de teflón/anodizados o moldes oscuros sin brillo o de vidrio. Tal vez estos moldes requieren bajar la temperatura a 25°F.

Tipo de Molde

- Hornos de metal (con o sin un acabado de teflón), vidrio refractario, vidrio cerámico, cerámica u otros moldes funcionan bien con este horno.
- Las bandejas de galletas que funcionan con el horno tienen un pequeño borde solamente en un lado. Bandejas pesadas o aquellas con más de un lado pueden afectar el tiempo del horneado.

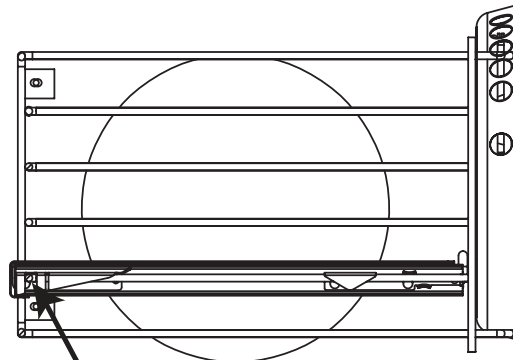
Rejillas deslizantes del horno

Su estufa de Thermador incluye tres rejillas extensibles, deslizables que se pueden jalar y volver a empujar al horno con un mínimo de esfuerzo – aún cuando soporta un pavo o asado grande. Si usted tiene el modelo de 48", el horno secundario de su estufa incluye también dos rejillas deslizables..

- **Colocar las rejillas en el horno:** Para insertar las rejillas en el horno, sostenga la rejilla con el riel trasero hacia arriba y hacia el fondo del horno. Coloque los ganchos de seguridad debajo de la parte delantera de las guías. Empuje la rejilla al horno, levantando los topes de la rejilla arriba de la parte delantera de las guías. Deslice la rejilla a su posición.
- **Sacar las rejillas del horno:** Para sacar las rejillas o volver a colocarlas en el horno, jale la rejilla hacia el frente del horno. Levante la parte frontal de la rejilla arriba de los topes de seguridad y sáquela del horno.
- Coloque las rejillas del horno en las posiciones deseadas antes de prender el horno.
- Cuando coloque alimentos en una rejilla, jale la rejilla hasta la posición de detención. Las rejillas están diseñadas para bloquearse y no doblarse cuando uno las jala hacia adelante.



Figure 21: Rejillas deslizantes del horno



Importante: Cuando usted coloca las rejillas deslizantes en el horno, asegúrese que los soportes delanteros en las guías descansen en las ranuras grandes en las esquinas delanteras de la rejilla. Esto es necesario para mantener la rejilla bloqueada en su posición mientras está completamente insertada en el horno.

Figure 22: Detalle de la instalación del rejillas

Posiciones de rejillas para hornear

- Las posiciones de las rejillas en el horno están numeradas como un elevador. La posición número uno es la más baja y número cinco es la posición más alta.

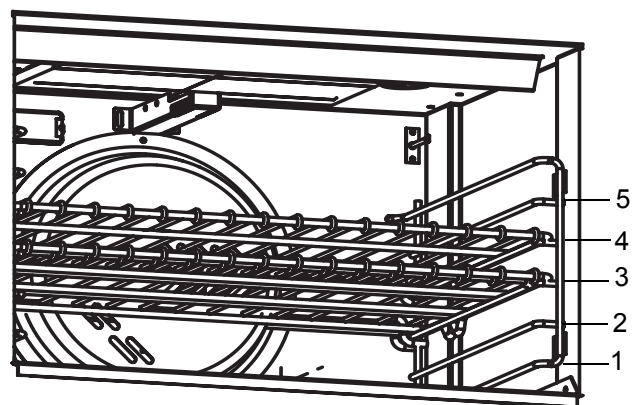


Figure 23: Posiciones de Rejillas

Posiciones de Rejillas

Hornear con una rejilla

- El modo de hornear sirve mejor para hornear con una sola rejilla en la posición #3 que se usa para la mayoría de los alimentos horneados. Cuando el alimento está muy alto, como pastel tipo bizcocho, se puede usar la posición de rejilla #2. Los pasteles salen mejor en la posición de rejilla #2 para asegurar que se hornea bien el fondo de la corteza sin dorar la parte superior demasiado. Cuando asa piezas grandes de carne o pollo, como un Prime Rib de res o un pavo, la posición de rejilla #2 es la rejilla preferida.

Hornear con dos rejillas

- Se pueden usar las posiciones de rejilla #2 y #4 o #5 cuando quiere hornear en dos niveles. Alimentos como galletas y panecillos se hornean bien utilizando estas dos posiciones de rejilla. También se pueden hornear guisados utilizando estos dos niveles.

Hornear con tres rejillas

- Cuando desea hornear con tres rejillas, se debe utilizar el modo del horneado de convección.

Colocación de moldes

- Permita al menos 1" de espacio entre los moldes y las paredes del horno de modo que el calor pueda circular alrededor de cada molde.
- Apile los moldes de tal forma que ninguno quede directamente encima de otro. Permita un espacio de 1-1/2 pulgadas arriba y abajo de cada molde.

Convección

Cocinar con el modo de convección

Hay muchas ventajas para cocinar con el modo de convección, donde un ventilador en la parte trasera del horno hace circular el aire uniformemente alrededor del horno. El aire circulado proporciona un calor uniforme de modo que se pueden colocar los alimentos en cualquier posición de rejilla con resultados consistentes. Se pueden hornear múltiples rejillas de alimentos al mismo tiempo. Los alimentos son cocidos completamente sin necesidad de voltear los moldes.

Se deben usar moldes poco profundos con el horneado de convección. Esto permite que el aire caliente circule alrededor de los alimentos. Moldes con bordes altos o

moldes tapados no son aptos para el horneado de convección porque los costados altos o las tapas no permiten que el aire caliente circule alrededor de los alimentos.

Se pueden usar sus moldes preferidos para el horneado de convección, siempre y cuando sean poco profundos para permitir que el aire caliente circule alrededor de los alimentos. Cualquier alimento horneado de modo destapado quedará dorado uniformemente y tendrá una corteza perfecta. Los alimentos en platos tapados (guisados, estofados) o flanes delicados no se benefician del horneado de convección.

Horneado de convección

Usted puede ahorrar mucho tiempo horneando un lote completo de galletas al mismo tiempo. Las galletas se hornean uniformemente y terminan todas al mismo tiempo. Se puede acortar el tiempo del horneado debido al aire caliente de circulación. Para alimentos más pequeños como galletas, verifique que estén cocidos uno o dos minutos antes del tiempo de la receta. Para alimentos más grandes como pasteles, revise cinco a seis minutos antes del tiempo indicado en la receta.

Cocinar carne y aves con el modo de convección produce alimentos dorados y crujientes afuera y húmedos y jugosos en el interior. Cortes grandes de carne o ave pueden quedar terminados hasta 30 minutos antes que el tiempo sugerido, así que por favor verifique que no se cuezan demasiado. Un termómetro para carne o un termómetro de lectura inmediata proporcionará resultados más precisos que el método del "minuto por libra". Entre más grande el corte de carne o de ave, más tiempo podrá ahorrar.

Convertir el horneado convencional al horneado de convección

Para convertir la mayoría de recetas para hornear (galletas, pasteles, tartas, etc.) al modo de convección, debe reducir la temperatura del horno por 25°F. No se debe reducir la temperatura para carnes y aves. Se debe usar la misma temperatura recomendada en las recetas y tablas de cocinar para cocer carnes y aves.

Consejos para el Horneado de Convección

Precalentar el Horno

Precaliente el horno antes de cocinar. Vea su receta para las recomendaciones del precalentado. El tiempo del precalentado depende del ajuste de temperatura y del número de rejillas en el horno.

Hornear a Gran Altitud

Cuando hornee a grandes altitudes, ya sea en el modo de **HORNEAR** u **HORNEAR DE CONVECCIÓN**, pueden variar los tiempos de las recetas y del horneado. Para información más precisa, escriba a Extension Service, Colorado State University, Fort Collins, Colorado 80521. Los boletines pueden tener un costo. Especifique el tipo de información que desea (ejemplo: pasteles, galletas, panes, etc.).

Condensación

Es normal que cierta cantidad de humedad se evapore de los alimentos durante cualquier proceso de cocina. La cantidad depende de la humedad contenida en el alimento. La humedad se va a condensar en cualquier superficie más fría que el interior del horno, tal como el panel de control.

Ajuste de Temperatura

Cuando usa el modo de hornear de convección, reduzca la temperatura recomendada por 25°F, excepto para carnes. Cuando asa carnes, verifique la temperatura interna antes del tiempo recomendado en la receta para evitar que se cuezan demasiado.

Posiciones de Rejillas

Hornear con una rejilla

- Cuando hornee en una sola rejilla, se obtienen mejores resultados con el modo de hornear (vea Hornear).
- Cuando asa pavo o un corte grande de carne, se puede usar el horneado de convección. La rejilla #2 es la rejilla más apropiada.

Hornear con dos rejillas

- Las rejillas #2 y #4 o #5 son mejores cuando usa el modo del horneado de convección. No se deben apilar los moldes, pero el molde en la rejilla #2 debe quedar colocado directamente debajo del molde en la rejilla #4 o #5. Ollas alternas para pasteles redondos.

- Se puede usar esto para pasteles, galletas, panecillos y otros alimentos para los cuales usted quiere hornear con dos rejillas.
- Cuando desea hornear varios guisados, tartas congelados o pasteles, use las rejillas #2 y #4 o #5.
- También se pueden usar estas dos rejillas para una comida grande en el horno.

Hornear con tres rejillas

- Cuando quiere hornear varias bandejas con galletas, los puede hornear en las rejillas #1, #3 y #5. Coloque las bandejas de galleta directamente arriba de cada una en las rejillas respectivas para permitir que el aire pueda fluir alrededor de las bandejas de galleta.

Tipo de molde

- Moldes de aluminio producen los mejores resultados de dorado.
- Bandejas de galleta con solamente dos costados producen mejores resultados. Se pueden usar bandejas comerciales de aluminio o utensilios profesionales para hornear.

Colocación

- Para un mejor dorado, se deben colocar los utensilios como bandejas de galleta, moldes para brazos de gitano y moldes rectangulares de modo cruzado en la rejilla con los costados más cortos en el lado derecho e izquierdo. Esto permite que el aire circule libremente.
- No se deben apilar los moldes cuando cocina con más de una rejilla.



PRECAUCIÓN:

CUANDO USA EL HORNO EN UN MODO

Nunca use papel de aluminio para cubrir las rejillas del horno o para forrar el horno. Esto puede dañar el horno y crear un riesgo de fuego cuando el calor queda atrapado por debajo. Vea la página 4.

Ajustar el horneado/horneado por convección/Horneado

Hornear / Horneado de Convección

Estos modos de cocinar sirven para hornear, asar o calentar usando una, dos o tres rejillas.

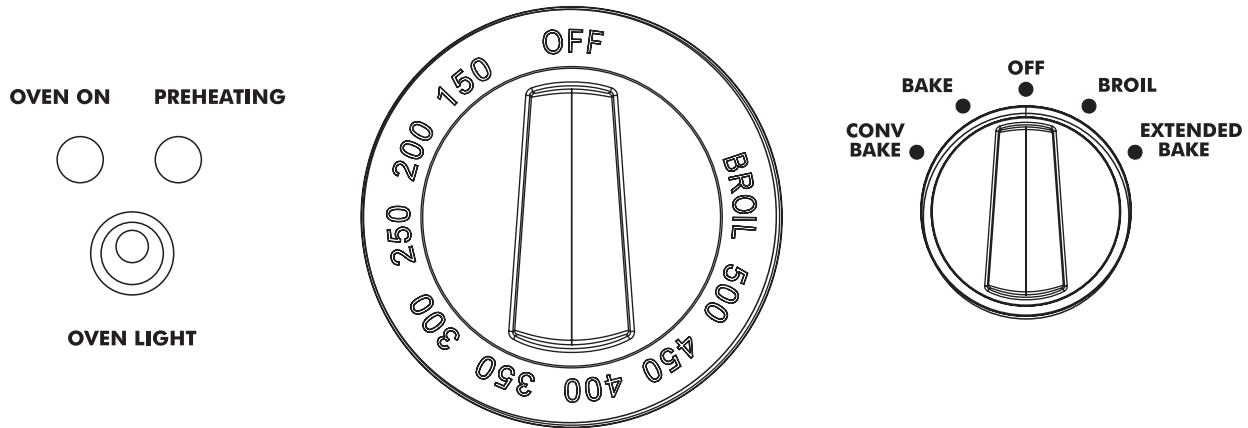


Figure 24: Controles del horno para estufas de 36”

Para configurar el horno

1. Seleccione el modo de hornear (**BAKE**) o el modo de horneado de convección (**CONVECTION BAKE**) usando la perilla del selector de modo.
2. Fije la temperatura del horno usando la perilla del selector de temperatura.
 - Si usa el modo de horneado de convección (**CONVECTION BAKE**), fije el selector de temperatura 25°F debajo de la temperatura sugerida en la receta. No es necesario variar la temperatura si usted está asando carnes o aves.
 - Se prende el ventilador de convección seis (6) minutos después de prender el horno cuando se selecciona el modo de horneado de convección (**CONVECTION BAKE**).
 - Se prenden las luces **OVEN ON** (Horno Prendido) y **PREHEATING** (Precalentar).



- El horno es precalentado a la temperatura prefijada cuando se apaga la luz **PREHEATING** (Precalentar) por primera vez.



Nota:

La luz interna del horno es operada mediante un interruptor separado que prende y apaga la luz, independientemente de cualquier configuración de control.

Horneado Extendido

Este modo de cocinar particular sirve para ayudarle al usuario a cumplir con sus obligaciones religiosas del modo Sabatino.

1. Seleccione el modo **EXTENDED BAKE** (Horneado Extendido) con la perilla del selector de modo.
2. Fije la temperatura del horno usando la perilla del selector de temperatura.
 - La FASE DE PRECALENTAR es igual que para los otros modos de HORNEAR. Una vez que el horno alcanza la temperatura seleccionada, comienza el ciclo de Horneado Extendido de veintidos (22) minutos.
 - Hornear en FASE ACTIVA es generalmente por diecinueve (19) minutos, excepto durante los últimos dos (2) minutos, las luces **OVEN ON** (Horno Prendido) y **PREHEATING** (Precalentar)

parpadean lentamente (prendido 3 seg. / apagado 3 seg. juntas) para AVISAR la fase final.



- **FASE ACTIVA (horno inactivo):**
Una vez que las dos luces dejan de parpadear (ambas permanecen prendidas), los últimos tres (3) minutos le permiten al usuario del modo Sabatino tener acceso al horno sin efectuar algún cambio en la operación del horno. El quemador del horno está apagado durante esta fase.

Operación automática del ventilador de enfriamiento:

El ventilador de enfriamiento no se prende en ninguno de los modos de Hornear (**BAKE**) para temperaturas inferiores a 425°F (218°C). Para temperaturas de 425°F o más altas, el ventilador de enfriamiento se prende solamente después de que el horno alcanza 425°F (218°C), mientras se está calentando para llegar a la temperatura prefijada. Cuando se apaga el horno, el ventilador sigue funcionando hasta que el horno se enfría a una temperatura de 375°F (190°C). Lo mismo para el modo de Asar (**BROIL**), el ventilador de enfriamiento se prende solamente después de que el horno alcanza 425°F (218°C), mientras se está calentando para llegar a la temperatura prefijada.

NO siga usando el horno si el ventilador de enfriamiento deja de funcionar cuando usted está horneando a temperaturas de 425°F (218°C) o más altas o cuando está asando. Llame a una agencia de servicio calificada para reparar la estufa.

Otros usos del horneado

Cocinar lentamente y usos del horno con temperaturas bajas

Además de ofrecer temperaturas perfectas para hornear y tostar se puede usar el horno con temperaturas bajas para mantener calientes alimentos ya cocidos a sus temperaturas de servir, para deshidratar alimentos y para calentar platos.

Se pueden mantener alimentos cocidos calientes a sus temperaturas de servir. Ajuste el horno al modo de hornear y use la temperatura sugerida en la tabla.

Para lograr mejores resultados, precaliente el horno a la temperatura deseada.

Se deben tapar con una tapa o con papel de aluminio los alimentos que deben quedar húmedos.



SEGURIDAD ALIMENTICIA

La Secretaría de Agricultura de los Estados Unidos informa: No mantenga alimentos calientes a temperaturas entre 40°F a 140°F por más de 2 horas. No se recomienda cocer alimentos crudos abajo de 275°F.

Temperaturas sugeridas para mantener calientes los alimentos

ALIMENTO	TEMPERATURA DEL HORNO °F
Res	150°F
Tocino	200° - 225°F
Panecillos y molletes (tapados)	175° - 200°F
Guisados (tapados)	175° - 200°F
Pescado y mariscos	175° - 200°F
Alimentos fritos con mucho aceite	200° - 225°F
Salsa Gravy o cremosa (tapadas)	175°F
Cordero y ternera	175° - 200°F
Crepas y waffles (tapados)	200° - 225°F
Papas Horneadas	200°F
Puré de papas (tapadas)	175°F
Tartas y pastelitos	175°F
Pizza (tapadas)	225°F
Puerco	175° - 200°F
Aves (tapadas)	175° - 200°F
Verduras (tapadas)	175°F

Recomendaciones para hornear

ALIMENTO	TAMAÑO DEL MOLDE	CONTROLAR EL AJUSTE DE TEMP. (F.)	TIEMPO TOTAL SUGERIDO DE COCINAR
Galletas	Bandeja de galleta 12"x15"	375°	8 a 12 minutos
Pasteles con relleno	8" o 9" Redondo	350°	25 a 35 minutos
Pasteles con capas	Molde de 9"x13"	350°	30 a 40 minutos
Pastel Bundt™	12 taza	325°	60 a 75 minutos
Brownies o galletas	Molde de 9"x9"	325°	20 a 25 minutos
Panecillos	Bandeja de galleta 12"x15"	425° o Indicaciones en empaque	10 a 15 minutos
Pan rápido	Molde de 8"x4"	350°	55 a 70 minutos
Molletes	Molde para mollete 12 taz.	425°	14 a 19 minutos
Pays de fruta	Diámetro 9"	425°	35 a 45 minutos
Pasteles de fruta	Molde de 9"x9"	400°	25 a 30 minutos
Pan levadura, Loaves	Molde de pan 8"x4"	425°	25 a 30 minutos
Rollos y panecillos	Molde de 9"x13"	400°	12 a 18 minutos
Rollos y canela	Molde de 9"x13"	375°	25 a 30 minutos
Pastel levadura para café	Bandeja de galleta 12"x15"	400°	20 a 30 minutos

Asar

Obtener los mejores resultados

- Descongele los alimentos antes de asarlos.
- Mantenga cerrada la puerta durante el asado.
- Los cortes de carne deben tener un grosor mayor de 1" si quiere el acabado de vuelta y vuelta.
- Voltee los alimentos una sola vez después de que lleve la mitad del tiempo cocinándose. No es necesario voltear carnes muy delgadas (rebanadas de jamón, filetes de pescado, etc.). Rebanadas de hígado deben voltearse sin importar el grosor.
- Use un cronómetro de minutos. Ajústelo al tiempo mínimo para verificar el alimento.
- Centre los alimentos directamente debajo del quemador infrarrojo para lograr un mejor dorado.

Posiciones de rejillas

Antes de prender el horno, coloque la rejilla en la posición deseada. Centre la bandeja de asar directamente debajo del quemador infrarrojo.

Horno de gas

- #4 — Use esta posición de rejilla cuando asa cortes de carne de res, hamburguesas de carne molida, filetes de jamón y chuletas de cordero con un grosor de 1 pulg. o menos. Se usa también cuando quiere dorar alimentos.
- #3 — Use esta posición de rejilla cuando asa cortes de carne con un grosor de 1-1/8 pulgadas o más, pescado, aves, chuletas de puerco, filetes de jamón con un grosor de 1 pulg. o más.
- #3 — Use esta rejilla cuando asa pedazos de pollo.

Utensilios

- La bandeja y rejilla de asar de esmalte de porcelana de dos piezas está incluida con la estufa. **NO** tape la rejilla (arriba) con papel de aluminio.
- Use moldes de metal o vidrio cerámico cuando dora guisados, platillos principales o pan.
- **NO** use utensilios de vidrio refractario o de cerámica. Este tipo de material no puede resistir el calor intenso del asador de gas.

Asar con un termómetro regular para carne

Para determinar con precisión el grado del acabado para un filete grueso o una chuleta (al menos con un grosor de 1-1/2"), use un termómetro regular para carne. Inserte la punta del termómetro en el costado de la carne a la altura del centro del filete.

Para filetes con acabado de vuelta y vuelta, ase el primer lado a 90°F. Para filetes de acabado medio o bien cocido, ase el primer lado a una temperatura de 100°F. Voltee la carne y cueza el otro lado a la temperatura interna deseada.

Nota:

Es imposible usar el horno y el asador al mismo tiempo. Cuando uno de los dos está prendido no se puede prender el otro.

Ajustar el modo de asar

Asar — Horno de gas

Solamente el quemador infrarrojo caliente en el modo de **ASAR**.

Nota:

Un buen asado requiere de la exposición constante a un fuerte calor intenso.

Para cambiar el horno al modo de asar

1. Coloque la rejilla del horno en la posición deseada.
2. Cambiar el selector de modo a Asar (**BROIL**).
3. Cambiar la perilla del selector de temperatura a Asar (**BROIL**).
4. Espere hasta que se apague la luz de **PRECALENTAR**, después de aproximadamente tres (3) minutos.
5. Ponga los alimentos en el horno en la posición de rejilla.
6. La puerta del horno debe estar cerrada cuando asa en el horno.
 - Su estufa profesional viene con una bandeja grande de asar de dos piezas. La rejilla ranurada permite que la grasa se caiga a la bandeja inferior, lejos del fuerte calor del quemador de asar, minimizando de esta forma las salpicaderas y la formación de humo.

La luz del horno permanece prendida durante cualquier modo de Asar (**BROIL**), y sigue prendida hasta que se gire cualquiera de las perillas de control del horno a la posición **OFF** (Apagado).

Operación automática del ventilador de enfriamiento:

El ventilador de enfriamiento no se prende en ninguno de los modos de Hornear (**BAKE**) para temperaturas inferiores a 425°F (218°C). Para temperaturas de 425°F o más altas, el ventilador de enfriamiento se prende solamente después de que el horno alcanza 425°F (218°C), mientras se está calentando para llegar a la temperatura prefijada. Cuando se apaga el horno, el ventilador sigue funcionando hasta que el horno se enfría a una temperatura de 375°F (190°C). Lo mismo para el modo de Asar (**BROIL**), el ventilador de enfriamiento se prende solamente después de que el horno alcanza 425°F (218°C), mientras se está calentando para llegar a la temperatura prefijada.

Nota:

La luz interna del horno es operada mediante un interruptor separado que prende y apaga la luz, independientemente de cualquier configuración de control.

Recomendaciones para asar y tostar

Todas las carnes son colocadas en la bandeja de asar que se incluye con la estufa.

ALIMENTO	NO. REJILLA	MODO DEL HORNO	CONTROLAR AJUSTE DE LA TEMP. (F.)	TIEMPO APROXIMADO DE COCINAR	INSTRUCCIONES Y CONSEJOS ESPECIALES
RES					
Carne molida Hamb., 1/2" grueso	4	Asar	Asar	15 a 20 minutos	Asar hasta quedar rosa en el centro
T-Bone Steak	4	Asar	Asar	12 a 20 minutos	Tiempo depende del término de la carne
Filete falda	4	Asar	Asar	12 a 20 minutos	Vuelta y vuelta a Medio
Corazón de asado redondo	3	Hornear	325°	20 a 25 min/lb	Pequeños asados necesitan hasta más min. por libra
PUERCO					
Lomo asado	3	Hornear	325°	20 a 25 min/lb	Cocinar hasta que no hay jugo
AVES					
Pechugas de pollo sin hueso/pellejo	4	Asar	Asar	20 a 25 minutos	Cocinar hasta que no hay jugo
Muslos de pollo	3	Asar	Asar	25 a 30 minutos	Quitar pellejo, cocinar hasta que no hay jugo
Medio pollo	3	Asar	Asar	30 a 45 minutos	Voltear con pinzas, cocinar hasta que no hay jugo
Rostizar pollo	2	Hornear	350°	75 a 90 minutos	No rellenar; Utilice Hornear de convecc. para reducir tiempo
Pavo	2	Hornear	325°	20 a 25 min/lb	No rellenar; Utilice Hornear de convecc. para reducir tiempo

Cuidado y mantenimiento

Limpieza de la estufa

Cuando limpia esta estufa:

1. Use la limpieza más suave que limpia de manera eficiente y eficaz. Algunos detergentes del mismo tipo son más abrasivos que otros. Úselo primero en un área pequeña.
2. Siempre frote los acabados metálicos en la dirección de las líneas de pulido para mayor efectividad y evite dañar la superficie.
3. Use solamente trapos limpios suaves, esponjas, toallas de papel, cepillos fibrosos, esponjillas de plástico, no metálicas o de fibra metálica para limpiar y frotar, como se recomienda en la tabla.
4. Se puede limpiar cualquier parte de este aparato con agua jabonosa caliente. Cuando se necesite enjuagar, hágalo a conciencia.

5. Siempre seque de inmediato para evitar las marcas de agua.



PRECAUCIÓN

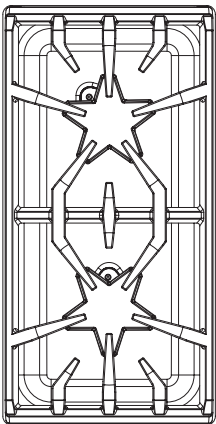

Evite limpiar la estufa mientras está caliente.

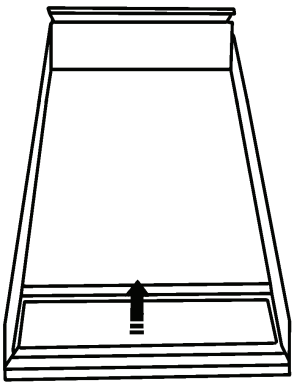
Nombres de marcas

El uso de nombres de marcas es solamente para indicar un tipo de detergente. Esto no constituye ninguna promoción. La omisión del nombre de alguna marca no implica su aptitud o insuficiencia. Muchos productos son regionales y se pueden encontrar en los mercados locales. Es imprescindible usar todos los productos rigurosamente conforme a las instrucciones en el empaque. La siguiente tabla da indicaciones para limpiar esta estufa.

Recomendaciones de limpieza

PARTE/MATERIAL	DETERGENTES SUGERIDOS	INDICACIONES IMPORTANTES
<p>Base del quemador de bronce y tapa de hierro</p>	<ul style="list-style-type: none"> • Agua jabonosa caliente; enjuagar y secar bien. • Detergentes poco abrasivos: Bon Ami®, Limpiador para aluminio y acero inoxidable Cameo®, Pulido de bronce para todo propósito Wright's®. • Detergentes líquidos: Kleen King®. • Cepillo de dientes duros de cerda de nylon para limpiar los orificios de los puertos. • Después de la limpieza, asegúrese de asentar correctamente la tapa del quemador en su base. 	<ul style="list-style-type: none"> • No debe rayar los orificios de los puertos de la base del quemador de bronce.
<p>Perillas de control / Plástico Anillos / Cromo</p> <p>Vea la guía para identificar y localizar perillas en la página 10.</p>	<ul style="list-style-type: none"> • Agua jabonosa caliente; enjuagar y secar de inmediato. 	<ul style="list-style-type: none"> • No remojar las perillas. • No forzar las perillas sobre el eje de la válvula equivocada.

PARTE/MATERIAL	DETERGENTES SUGERIDOS	INDICACIONES IMPORTANTES
<p>Acabado exterior /Consola trasera de protección de Acero Inoxidable</p>	<ul style="list-style-type: none"> • Detergentes no abrasivos: Agua caliente y detergente, amoníaco, Fantastic®, Formula 409®. Enjuagar y secar de inmediato. • Pulido: Stainless Steel Magic® para proteger el acabado de manchas y picaduras; realza la apariencia. • Manchas de agua dura: Vinagre casero. • Detergentes poco abrasivos: Detergente para acero inoxidable y aluminio Siege, Detergente líquido para acero inoxidable Kleen King®. • Decoloración térmica: Cameo®, Barkeepers Friend®, Zud®. Pulido de bronce para todo propósito Wright's®. 	<ul style="list-style-type: none"> • El acero inoxidable resiste muchas manchas de alimentos y picaduras, siempre y cuando la superficie se mantenga limpia y protegida. • Nunca permita que manchas de alimentos o de sal permanezcan mucho tiempo sobre acero inoxidable. • Frotar ligeramente en la dirección de las líneas de pulido. • Cloro y compuestos de cloro en algunos detergentes son corrosivos para el acero inoxidable. Revise los ingredientes en la etiqueta.
<p>Rejillas: / Esmalte de porcelana sobre hierro fundido</p> 	<ul style="list-style-type: none"> • Detergentes no abrasivos: Agua caliente y detergente, Fantastic®, Formula 409®. Enjuagar y secar de inmediato. • Detergentes poco abrasivos: Bon Ami® y Soft Scrub®. • Detergentes abrasivos para suciedad persistente: esponjillas de fibra metálica con jabón. • Lestoil® u otro desengrasador. 	<ul style="list-style-type: none"> • Las rejillas son pesadas; tener cuidado cuando las levanta. Ponerlos sobre una superficie protegida. • Ampollas/grietas/astillas son comunes debido a las extremas temperaturas en los dedos de las rejillas y los cambios rápidos de las temperaturas. • Derrames de ácidos y de azúcar echan a perder el esmalte. Quitar la suciedad de inmediato. • Detergentes abrasivos usados con mucha frecuencia pueden dañar el esmalte con el tiempo.
<p>Bandeja de engrasado de la parrilla / Aluminio con una cubierta antiadherente</p>  <p>Deslízelo hacia atrás y levántelo</p>	<ul style="list-style-type: none"> • Limpie el colector después de cada uso. • Se puede lavar en la lavavajillas. • Lavar en agua caliente con detergente; enjuagar y secar. • Suciedad persistente: Soft Scrub® 	<ul style="list-style-type: none"> • Vaciar el colector después de cada uso. • Quitar el colector después de que la grasa se haya enfriado. Tenga cuidado de no llenar el colector demasiado para no tirar la grasa cuando inclina el colector.

PARTE/MATERIAL	DETERGENTES SUGERIDOS	INDICACIONES IMPORTANTES
<p>Plancha / Aluminio con una cubierta antiadherente</p> 	<ul style="list-style-type: none"> • Quitar el colector y tirar la grasa en un contenedor resistente a grasas para su eliminación. Lavar el colector con agua jabonosa caliente o en la lavavajillas. Limpiar la superficie del asador o de la plancha con agua jabonosa tibia y enjuagar con agua tibia. Secar con un trapo suave. • Cuando partículas de alimentos están pegadas a la bandeja del asador o de la plancha, quitarlas con un detergente poco abrasivo como Soft Scrub®. 	<ul style="list-style-type: none"> • Nunca se debe lavar un asador o una plancha caliente con agua fría. Esto puede deformar o romper la bandeja de aluminio. • No se debe limpiar ninguna parte del asador en un horno de autolimpieza.
<p>Encendedores/ Cerámica</p>	<ul style="list-style-type: none"> • Usar un hisopo de algodón humedecido con agua, Formula 409® o Fantastic®. 	<ul style="list-style-type: none"> • No use herramientas filosas para raspar los encendedores. Son frágiles. Si se daña un encendedor, tal vez ya no pueda prender el quemador.
<p>Bandejas para derrames superficiales / Superficie principal Esmalte de porcelana</p>	<p>Se puede usar un detergente como Soft Scrub®. Aplicar con una esponja o un paño húmedo conforme a las indicaciones del fabricante. Enjuagar bien y secar con un paño suave.</p> <p>Cuando se usan detergentes como Bar Keeper's Friend®, Bon-ami®, Comet® o Ajax®, aplicar con una esponja o un paño húmedo conforme a las indicaciones del fabricante. Frotar ligeramente ya que estos detergentes pueden rayar la superficie. Enjuagar bien y secar con un paño suave.</p> <p>Para quitar alimentos quemados se pueden usar esponjillas de fibra metálica con jabón como S.O.S.® o Brillo®. Humedecer la esponjilla y frotar ligeramente. Se debe tener cuidado ya que estos detergentes pueden rayar la superficie. Enjuagar bien y secar con un paño suave.</p>	

PART/MATERIAL	CLEANING PRODUCTS/DIRECTIONS
<p>Rejillas de la bandeja de asar/Parte de abajo Porcelana esmaltada</p>	<p>NO LIMPIAR EN UN HORNO DE AUTOLIMPIEZA Para aflojar restos de alimentos muy pegados, rociar la rejilla vacía caliente con detergente en polvo de lavandería o con detergente líquido y tapar con toallas húmedas de papel. Dejar reposar.</p> <p>Agua jabonosa caliente.</p> <ul style="list-style-type: none"> Lavar, enjuagar bien y secar. <p>Detergentes: Soft Scrub®.</p> <ul style="list-style-type: none"> Aplicar con una esponja o un trapo húmedo conforme a las indicaciones del fabricante. Enjuagar y secar. <p>Detergentes en polvo: Bon-ami®, Comet®, Ajax®.</p> <ul style="list-style-type: none"> Aplicar con una esponja o un trapo húmedo conforme a las indicaciones del fabricante. Frotar ligeramente, puede rayar la superficie. Enjuagar bien y secar. <p>Esponjillas de fibra metálica con jabón: S.O.S®, Brillo®.</p> <ul style="list-style-type: none"> Humedecer la esponjilla, frotar ligeramente, puede rayar la superficie. Enjuagar bien y secar.
<p>Cavidad Esmalte de porcelana sobre acero</p>	<p>El esmalte de porcelana resiste ácidos pero no está totalmente a prueba de ácidos. Alimentos ácidos como jugos cítricos, jitomates, ruibarbovinagre, alcohol o leche deben ser limpiados de inmediato y no se les debe permitir que se peguen a la porcelana durante el siguiente uso. Con el tiempo se puede agrietar la porcelana (aparecen líneas finas). Esto no afectará el desempeño o funcionamiento del horno.</p> <p>Agua jabonosa caliente.</p> <ul style="list-style-type: none"> Lavar, enjuagar bien y secar. <p>Detergentes suaves: Bon-ami®, amoníaco, o amoníaco y agua, Soft Scrub®.</p> <ul style="list-style-type: none"> Aplicar a una esponja o un trapo húmedo. Frotar ligeramente. Enjuagar bien. Secar. Si se quemaron restos alimenticios en el horno y es difícil quitarlos, se pueden remojar las manchas con un trapo impregnado con amoníaco casero. Cerrar la puerta y dejar reposar durante una hora o dos, o hasta que se pueda quitar la suciedad fácilmente con un trapo jabonoso y húmedo o con un detergente poco abrasivo. Se puede poner una solución de aprox. 3 cucharas de amoníaco casero en media taza de agua en el horno caliente durante la noche. Esto ablandará los restos endurecidos y los derrames de modo que será fácil quitarlos después. Se puede añadir la solución de amoníaco al agua tibia para un lavado completo del horno.
<p>Bastidor delantero Acero inoxidable</p>	<p>Vea Acabado exterior/Consola trasera de protección, página 30.</p>

PART/MATERIAL	CLEANING PRODUCTS/DIRECTIONS
<p>Rejillas y guías del horno Niquelado</p> <p>Nota: Se pueden sacar las guías de las rejillas para limpiarlas utilizando este procedimiento (vea las instrucciones para sacarlos abajo en página 34).</p>	<p>Agua jabonosa caliente.</p> <ul style="list-style-type: none"> Lavar, enjuagar bien y secar. <p>Detergentes: Soft Scrub®.</p> <ul style="list-style-type: none"> Aplicar con una esponja o un trapo húmedo conforme a las indicaciones del fabricante. Enjuagar y secar. <p>Detergentes en polvo: Bon-ami®, Comet®, Ajax®.</p> <ul style="list-style-type: none"> Aplicar con una esponja o un trapo húmedo conforme a las indicaciones del fabricante. Frotar ligeramente. Enjuagar bien y secar. <p>Esponjillas de fibra metálica con jabón: S.O.S®, Brillo®.</p> <ul style="list-style-type: none"> Humedecer la esponjilla, enjuagar bien y secar. <p>Detergentes abrasivos: Easy Off ®Oven Cleaner (Detergente para horno).</p> <p>Nota: Algunos detergentes comerciales para horno causan una decoloración y un oscurecimiento. Hacer pruebas en una parte pequeña de la rejilla y verificar si hay decoloración antes de limpiar toda la rejilla.</p> <ul style="list-style-type: none"> Aplicar una capa generosa. Dejar reposar de 10 a 15 minutos. Enjuagar bien y secar. <p>Si las rejillas no se deslizan fácilmente después de la limpieza, humedecer una toalla de papel con una pequeña cantidad de aceite comestible y frotarlo ligeramente sobre los rieles laterales.</p>
<p>Exterior, Bastidor, Agarradera, Deflector térmico Acero inoxidable</p>	<p>Mantener alejado detergentes y agua de las aberturas de ventilación en las puertas. Si entra agua o detergente puede rayar el vidrio interior.</p> <p>Vea Acabado exterior/Consola trasera de protección de acero inoxidable, página 30.</p>
<p>Interior Esmalte de porcelana</p>	<p>Vea Cavidad, página 32.</p>
<p>Sello Empaque de la puerta</p>	<p>Detergentes generales para cocina: Formula 409®, Fantastik®.</p> <ul style="list-style-type: none"> Aplicar con rociador y secar con un trapo. No frotar. No mover, quitar o dañar la malla.

Quitar las guías de la rejilla para limpiarlas:

1. Levante la parte delantera de la guía de rejilla para liberar las cabezas de los dos pernos de reborde en el frente de la cavidad del horno.
2. Quite la parte delantera de la guía de rejilla jalando las ranuras de la guía encima de los pernos de reborde.
3. Sacar los dos rieles de los orificios en la parte trasera de la cavidad del horno.

Nota:

Las guías de rejilla están diseñadas para caber en cualquier lado de la cavidad del horno.



Mantenimiento hecho por usted mismo

Reemplazar un foco de luz en el horno

Reemplace solamente por un foco recomendado diseñado para el uso en hornos. NO USE un foco de luz estándar en ningún horno.

Para reemplazar el foco de luz:

1. Asegúrese que el interruptor de la luz del horno esté en la posición **OFF** (Apagado).
2. Quitar la cubierta de la luz –
Con un destornillador plano en una mano, use el destornillador como una cuña pequeña para aflojar la cubierta de vidrio poco a poco de la caja de metal y sostenga el vidrio con la otra mano a medida que salga de la caja.

3. Quite el foco quemado. Reemplácelo solamente con un foco recomendado para uso en hornos. No toque el foco con los dedos. Siga las instrucciones del fabricante del foco.
4. Reemplace la cubierta de vidrio alineándola con la caja y empujando sobre ambos extremos del vidrio con la misma fuerza, hasta que la cubierta entre con presión en su posición. Trate de no aplicar fuerza excesiva sobre el vidrio.




PRECAUCIÓN

Antes de reemplazar el foco de luz, asegúrese que el interruptor de la luz del horno está en la posición de apagado. Permita que se enfríen completamente el foco y la cubierta antes de tocarlos. Si se rompe el vidrio del foco en la base, cambie el cortacircuitos a la posición de **OFF** (Apagado) antes de tratar de sacar el foco de la base del portalámparas.

Falla de electricidad

- En el caso de una falla de electricidad se pueden encender solamente los quemadores estándar manualmente. Es necesario prender cada quemador estándar individualmente.
- Si se está usando la parrilla de la estufa cuando ocurre la falla de luz, gire todas las perillas de control de los quemadores a la posición **OFF** (Apagado). Luego, puede encender los quemadores estándar con un cerillo prendido cerca de los puertos y girando la perilla

de control a la posición . Espere hasta que la llama envuelva toda la tapa del quemador antes de ajustar la llama a la altura deseada. No se puede usar el quemador ExtraLow® durante una falla de electricidad. Asegúrese de apagarlo cuando ocurre una falla de luz porque el quemador no se puede volver a prender hasta que se apaga la perilla de control y se vuelve a prender. Vea “Qué hacer cuando huele a gas”, adentro de la portada.

- Si usted experimenta baja presión de gas, contacte a su proveedor de gas.

Chispas intermitentes o constantes del encendedor

Chispas intermitentes o constantes de los quemadores sellados de gas pueden ser el resultado de una cantidad de condiciones evitables. Elimine estas condiciones como se indica en la tabla.

SÍNTOMA	CAUSA	REMEDIO
Chispas intermitentes	<ul style="list-style-type: none"> Encendedor sucio o húmedo. Puertos del quemador tapados. 	<ul style="list-style-type: none"> Secar o limpiar bien el encendedor. Limpiar puertos en la tapa del quemador con un alambre, una aguja o un clip enderezado.
Más de cuatro clics del encendedor antes de prender	<ul style="list-style-type: none"> La tapa del quemador no cabe en la base del quemador. 	<ul style="list-style-type: none"> Alinear la tapa del quemador sobre la base del quemador.
Chispas constantes	<ul style="list-style-type: none"> Estufa está mal aterrizada. Alimentación eléctrica está mal polarizada. 	<ul style="list-style-type: none"> Consultar instrucciones de instalación. Contratar a un eléctrico calificado para poner la estufa a tierra. Consultar instrucciones de instalación. Contratar a un eléctrico calificado para poner la estufa a tierra.

Antes de solicitar servicio

Antes de solicitar servicio, revise lo siguiente para evitar cargos innecesarios de servicio.

Asegúrese de verificar primero estos puntos:

- ¿Hay una falla de electricidad en el área?
- ¿Se quemó un fusible en la casa o se activó el cortacircuitos?
- ¿La estufa no está conectada a la alimentación eléctrica?

Cuando no se prenden los quemadores

- ¿Las tapas de los quemadores están bien alineados y asentados en las bases?
- ¿Los puertos de los quemadores están tapados?
- ¿Se quemó un fusible en la casa o se activó el cortacircuitos?
- ¿La válvula de cierre del gas está cerrada, cerrando el paso de gas?

Placa con información del aparato

La placa con información del aparato muestra el número de modelo y de serie de su estufa. Se encuentra en el bastidor, detrás de la puerta del horno (Vea la ilustración).

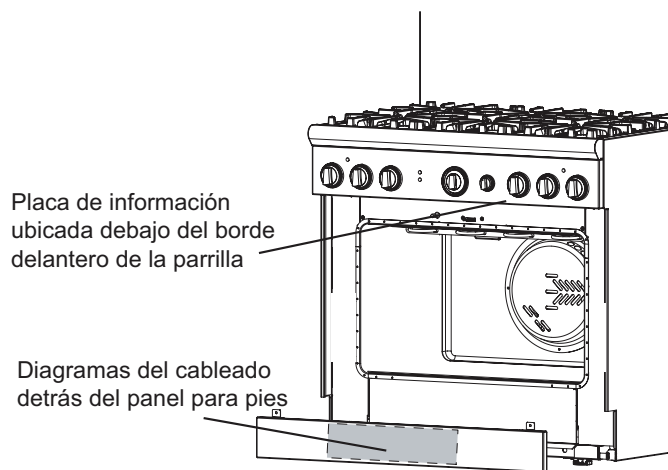


Figura 25: Ubicaciones de la placa de información y del diagrama de cableado (no se muestra la puerta del horno)

No se deben quitar los diagramas del cableado eléctrico en el área para los pies excepto por un técnico de servicio. Vuelva a ponerlos después del servicio.



PRECAUCIÓN:

Antes de quitar el panel para los pies, desconecte la estufa de la fuente de alimentación eléctrica. Vuelva a instalar el panel para los pies antes de reconectar la estufa a la fuente de alimentación y operar la estufa.

Información de servicio

Copie la información abajo de la placa con información del producto para tenerla a la mano. Guarde su factura para validar la garantía.

Número de Modelo

Número de Serie

Fecha de Compra

Nombre del Distribuidor

Teléfono del Distribuidor

Nombre del Centro de Servicio

Teléfono del Centro de Servicio

Además, anote esta información en la forma de registro del producto que se incluye con esta estufa, luego envíela a la dirección indicada.

DECLARACIÓN DE GARANTÍA LIMITADA DEL PRODUCTO

Cobertura de esta garantía y a quiénes se aplica

La garantía limitada otorgada por BSH Home Appliances Thermador en esta Declaración de Garantía Limitada del Producto se aplica únicamente al electrodoméstico Thermador vendido a usted, el primer comprador usuario, siempre que el Producto haya sido comprado:

- Para uso doméstico (no comercial) normal y haya sido utilizado en todo momento únicamente para fines domésticos normales.
- Nuevo en una tienda minorista (que no sea un producto de exhibición, ni un producto vendido "en las condiciones en que se encuentra" ni un modelo devuelto anteriormente) y no esté destinado para reventa ni uso comercial.
- Dentro de los Estados Unidos o Canadá, y permanezca en todo momento dentro del país de compra original.

Las garantías incluidas en el presente se aplican únicamente al primer comprador del Producto y no son transferibles.

Asegúrese de devolver su tarjeta de registro; si bien no es necesario para hacer efectiva la cobertura de la garantía,

es la mejor manera para que Thermador le notifique en el caso poco probable de que se emita un aviso de seguridad o se retire del mercado un producto.

Duración de la garantía

Thermador garantiza que el Producto estará libre de defectos en los materiales y en la mano de obra por un período de doce (12) meses a partir de la fecha de compra. El período precedente comienza a regir a partir de la fecha de compra y no se interrumpirá, dejará sin efecto, extenderá ni suspenderá por ningún motivo.

Reparación/reemplazo como único recurso

Durante el período de esta garantía, Thermador o uno de sus proveedores de servicio técnico autorizados reparará su Producto sin cargo para usted (con sujeción a determinadas limitaciones especificadas en el presente) si se prueba que su Producto ha sido fabricado con un defecto en los materiales o en la mano de obra. Si se ha intentado de manera razonable reparar el Producto sin éxito, Thermador reemplazará su Producto (es posible que usted tenga disponibles modelos mejorados, a entera discreción de Thermador, por un cargo adicional). Todas las piezas y los componentes extraídos serán propiedad de Thermador, a su entera discreción. Todas las piezas reemplazadas y/o reparadas se considerarán como la pieza original a los fines de esta garantía, y esta garantía no se extenderá con respecto a dichas piezas. En virtud del presente, la única y exclusiva responsabilidad y obligación de Thermador es únicamente reparar el Producto defectuoso de fábrica, a través de un proveedor de servicio técnico autorizado por Thermador durante el horario normal de oficina. Por cuestiones de seguridad y daños materiales, Thermador recomienda categóricamente que no intente reparar el Producto usted mismo ni usar un proveedor de servicio técnico no autorizado; Thermador no tendrá responsabilidad ni obligación alguna por las reparaciones o trabajos realizados por un centro de servicio técnico no autorizado. Si usted prefiere que una persona que no es un proveedor de servicio técnico autorizado trabaje en su Producto, **ESTA GARANTÍA SE ANULARÁ AUTOMÁTICAMENTE.** Los proveedores de servicio técnico autorizados son aquellas personas o compañías que han sido especialmente capacitadas para manejar los productos de Thermador y que tienen, según el criterio de Thermador, una reputación superior de servicio al cliente y capacidad técnica (debe tener en cuenta que son entidades independientes y no son agentes, socios, afiliados ni representantes de Thermador). Sin perjuicio de lo que antecede, Thermador no tendrá responsabilidad ni obligación alguna por el Producto que se encuentre en un área remota (a más de 100 millas de un proveedor de servicio técnico autorizado) o en un lugar, área circundante o entorno que no sea accesible por medios razonables o

que sea peligroso, hostil o arriesgado; en cualquier caso, cuando lo solicite, Thermador de todas maneras pagará por la mano de obra y las piezas, y enviará las piezas al proveedor de servicio técnico autorizado más cercano, pero usted seguirá siendo totalmente responsable por el tiempo de viaje y demás cargos especiales de la compañía de servicio técnico, suponiendo que acepte hacer la visita de servicio técnico.

Producto fuera de garantía

Thermador no tiene obligación alguna, en virtud de la ley o por otro motivo, de otorgarle ninguna concesión, incluidos reparaciones, prorrateso o reemplazo del Producto, con posterioridad al vencimiento de la garantía.

Exclusiones de la garantía

La cobertura de garantía descrita en el presente excluye todos los defectos o daños que no fueron provocados directamente por Thermador, incluidos, entre otros, alguno de los siguientes:

- Uso del Producto de maneras distintas del uso normal, habitual y previsto (incluidos, entre otros, cualquier forma de uso comercial, uso o almacenamiento en exteriores de un producto diseñado para interiores, uso del Producto junto con aeronaves o embarcaciones).
- Conducta indebida, negligencia, uso indebido, abuso, accidentes, descuido, operación inadecuada, omisión de mantener, instalación inadecuada o negligente, adulteración, omisión de seguir las instrucciones de operación, manipulación inadecuada, servicio técnico no autorizado (incluidos "arreglos" o exploración de los mecanismos internos del electrodoméstico realizados por uno mismo) por parte de cualquier persona.
- Ajuste, alteración o modificación de cualquier tipo.
- Incumplimiento de los códigos, reglamentaciones o leyes de electricidad, plomería y/o construcción locales estatales, municipales o de condado, incluida la omisión de instalar el producto cumpliendo estrictamente con los códigos y las reglamentaciones locales de construcción y protección contra incendios.
- Desgaste habitual, derrames de alimentos, líquidos, acumulaciones de grasa u otras sustancias que se acumulen sobre el Producto, dentro o alrededor de este.
- Y cualquier fuerza y factor externo, elemental y/o ambiental, incluidos, entre otros, lluvia, viento, arena, inundaciones, incendios, aludes de lodo, temperaturas bajas extremas, humedad excesiva o exposición prolongada a la humedad, rayos, sobrecargas eléctricas, fallas estructurales alrededor del electrodoméstico y caso fortuito.

En ningún caso, Thermador tendrá responsabilidad ni obligación alguna por los daños ocasionados a los bienes

circundantes, incluidos los gabinetes, pisos, techos y demás estructuras u objetos que se encuentren alrededor del producto. También se excluyen de esta garantía las rayas, hendiduras, abolladuras menores y daños estéticos en superficies externas y piezas expuestas; productos en los cuales los números de serie hayan sido alterados, modificados o eliminados; visitas del servicio técnico para enseñarle a usar el Producto o visitas en las que se determine que no hay ningún problema con el Producto; corrección de los problemas de instalación (usted es el único responsable de cualquier estructura y soporte del Producto, incluidas todas las instalaciones de electricidad y plomería o demás instalaciones de conexión, de la correcta instalación en bases/pisos y de cualquier alteración, incluidos, entre otros, gabinetes, paredes, pisos, repisas, etc.); y el restablecimiento de disyuntores o fusibles.

EN LA MEDIDA PERMITIDA POR LA LEY, ESTA GARANTÍA ESTABLECE SUS RECURSOS EXCLUSIVOS CON RESPECTO AL PRODUCTO, INDEPENDIENTEMENTE DE QUE LA RECLAMACIÓN SEA CONTRACTUAL O EXTRA CONTRACTUAL (INCLUIDA LA RESPONSABILIDAD OBJETIVA O LA NEGLIGENCIA), O DE CUALQUIER OTRO MODO. ESTA GARANTÍA REEMPLAZA TODAS LAS DEMÁS GARANTÍAS EXPRESAS O IMPLÍCITAS. LAS GARANTÍAS IMPLÍCITAS POR LEY, YA SEA DE COMERCIALIZACIÓN O APTITUD PARA UN FIN ESPECÍFICO, O DE CUALQUIER OTRO TIPO, TENDRÁN VIGENCIA ÚNICAMENTE POR EL PERÍODO DE VIGENCIA DE LA PRESENTE GARANTÍA LIMITADA EXPRESA. EN NINGÚN CASO, EL FABRICANTE SERÁ RESPONSABLE POR LOS DAÑOS CONSECUENTES, ESPECIALES, INCIDENTALES, INDIRECTOS, POR "PÉRDIDAS COMERCIALES" Y/O DAÑOS PUNITIVOS, PÉRDIDAS O GASTOS, INCLUIDOS, ENTRE OTROS, TIEMPO FUERA DEL TRABAJO, HOTELES Y/O COMIDAS EN RESTAURANTES, GASTOS DE REMODELACIÓN QUE SUPEREN LOS DAÑOS DIRECTOS, QUE DEFINITIVAMENTE HAYAN SIDO CAUSADOS DE MANERA EXCLUSIVA POR THERMADOR O DE OTRO MODO. ALGUNOS ESTADOS NO PERMITEN LA EXCLUSIÓN O LIMITACIÓN DE DAÑOS INCIDENTALES O CONSECUENTES, Y ALGUNOS ESTADOS NO PERMITEN LIMITACIONES CON RESPECTO AL PLAZO DE VIGENCIA DE UNA GARANTÍA IMPLÍCITA; POR LO TANTO, ES POSIBLE QUE LAS LIMITACIONES PRECEDENTES NO SE APLIQUEN A USTED. ESTA GARANTÍA LE OTORGA DERECHOS LEGALES ESPECÍFICOS, Y TAMBIÉN PUEDEN CORRESPONDERLE OTROS DERECHOS QUE PUEDEN VARIAR SEGÚN EL ESTADO.

Ningún intento de alterar, modificar o enmendar la presente garantía tendrá vigencia, a menos que fuera autorizado por escrito por un ejecutivo de BSH.

Thermador[®] | *An American Icon*[™]

5551 McFadden Avenue, Huntington Beach, CA 92649 • 800-735-4328 • www.thermador.com
9000465286 • 5U02H9 • Rev. A • 7/09 © BSH Home Appliances Corporation, 2009 • All rights reserved
Litho in USA