

# Dishwasher

## EIDW6405H T



### Fully Integrated Controls

Features fully integrated IQ-Touch™ controls. Includes 5 wash cycles and 3 dishcare options to make it a most versatile dishwasher.



### Quietest in its Class<sup>1</sup>

So quiet you can run it whenever you want and no one will notice. Tested to 45 dBA sound level.



### Sure-2-Fit™ Racking System

The most versatile dishware racking system — there's a perfect place for over 180 items, from chopsticks to stockpots to stemware. There's also an adjustable/removable top rack for the utmost flexibility.



### Largest Usable Capacity

Largest usable capacity<sup>2</sup> in its class so all of your dinner party dishware fits.

## 24" BUILT-IN PANEL-READY DISHWASHER

### Features

Stainless Steel Interior	Yes
Luxury-Hold™ Door	Yes
IQ-Touch™ Electronic Controls	Yes
Fully Integrated Control Panel	Yes
Tall Tub Design	Yes
Smart Soil Sensor	Yes
Luxury-Quiet™ Sound Package	Yes
Wash Levels	5
AquaLux™ Wash System	Yes
Luxury-Dry™ System	Yes
Adjustable Rinse Aid Dispenser with Indicator	Yes
ENERGY STAR®	Yes

### Cycles

Auto Wash	Yes
Heavy	Yes
Normal	Yes
Eco Wash	Yes
Perfect Stemware™	Yes

### Options

Air Dry	Yes
NSF® Certified Sanitize Option	Yes
Delay Start (Hours)	1–24

### Rack System

Sure-2-Fit™ Nylon Rack System	Yes
Luxury-Glide™ Nylon Upper Rack –	
Adjustable Height	Yes
Cup Shelf/Stemware Holder	2/Yes
Cup Clips	4
Perfect Stemware™ Holder	Yes
Fold-Down Tines	4 Flows
Rack Handle	Yes
Versa-Tray™	Yes
Luxury-Glide™ Nylon Lower Rack –	
Fold-Down Tines	6 Rows
Rack Handle	Yes
Knife Holder	Yes
Utility Tray/Shelf	Yes
Stemware/Champagne Glass Holders	4
Silverware Basket	3-Piece Split
Special Items Cover	Yes

### Accessories

Mesh Basket – PN# 154653001	Optional
-----------------------------	----------

### Specifications

Panel Ready	T
Overall Exterior Dimensions –	
Height (Adjustable*)	33-7/8" – 34-7/8"
Width	23-3/4"
Depth (Not Including Custom Panel) (with 90° Door Open)	23-7/8" 49-7/8"
Power Supply/Water Inlet Location	Middle Bottom Rear
Leveling Legs	Yes
Water Usage (Gallons) – Normal Cycle	4.9 – 8.5
Water Pressure (PSI)	15 – 120
Voltage Rating	120V/60Hz/15A
Connected Load (kW Rating) @ 120 Volts†	1.44
Amps @ 120 Volts	9
Shipping Weight (Approx.)	110 Lbs.

\*Height only adjustable to 34-11/16" max. when installed in 35" max. standard cabinetry cutout to allow for 3/16" min. clearance.

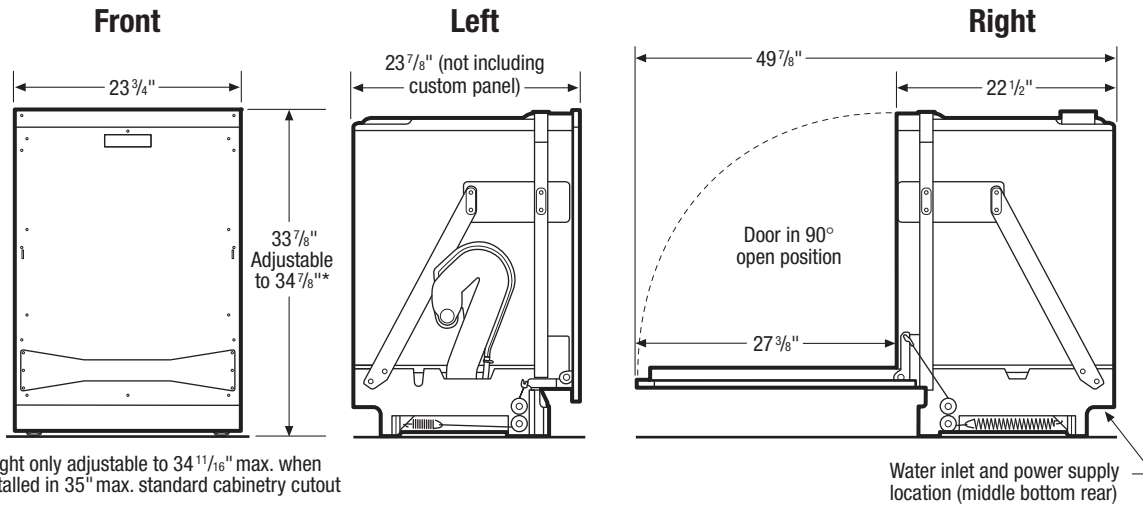
†For use on adequately wired 120V, dedicated circuit having 2-wire service with a separate ground wire. Appliance must be grounded for safe operation.

NOTE: Always consult local and/or national electric codes. Refer to Product Installation Guide for detailed installation instructions on the web at [electroluxappliances.com](http://electroluxappliances.com).

Specifications subject to change.

<sup>1</sup>Based on published MSRP and specifications.

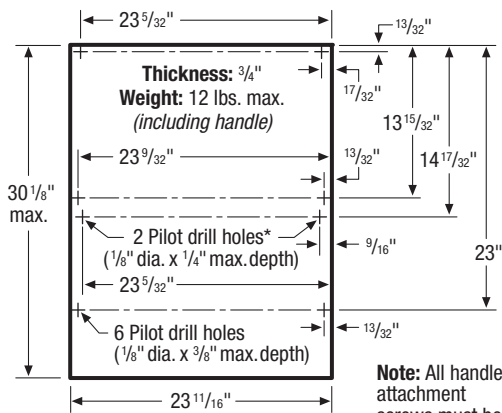
<sup>2</sup>As measured by adjusted rack space.



\*Height only adjustable to 34 11/16" max. when installed in 35" max. standard cabinetry cutout

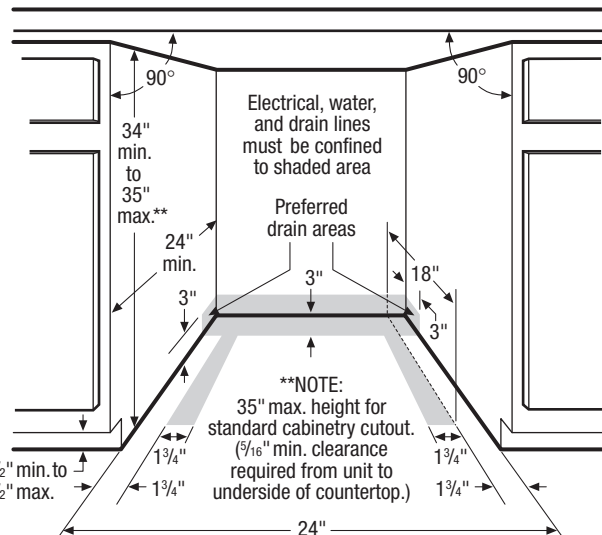
### Custom Panel Specifications

Refer to web for detailed door panel construction and installation instructions.



\*Optional holes for adding 1/2" - #7 screws which slip into rectangular openings of metal panel to help locate custom door panel for other outside screw attachment

Note: All handle attachment screws must be flush/recessed below panel surface. (Handle not included.)



### Built-In Panel-Ready Dishwasher Specifications

- Product Weight – 93 Lbs.
- Voltage Rating @ 120V/60 Hz/15 Amps
- Connected Load (kW Rating) @ 120 Volts = 1.44 kW (For use on adequately wired 120V, dedicated circuit having 2-wire service with a separate ground wire. Appliance must be grounded for safe operation.)
- Amps @ 120V = 9 Amps
- Always consult local and/or national electric & plumbing codes.
- Water Pressure – Hot water line to dishwasher must provide between 15 and 120 pounds per square inch (psi).
- Make sure location has right drain, water and electrical outlets to make connections.
- Keep back free of drain, water & electrical supply.
- Electrical and water supplies should enter cabinet opening on floor, or through back or side walls, as shown in shaded areas.
- Connections preferably located toward left side of dishwasher. Do not cross drain, water or electrical lines in front of motor, blower or frame.
- Minimum clearance of 5/16" required from unit to underside of countertop.

- Leveling legs supplied to adjust height. (Note: Height only adjustable to 34-11/16" max. when installed in 35" max. standard cabinetry cutout to allow for 5/16" min. clearance.)
- When installing adjacent to wall, cabinet or other obstruction that extends beyond front edge of unit, allow 2" minimum clearance between opened door and obstruction.
- When installing at end of cabinet line, sides must be fully enclosed.
- Do not install unit under a cooktop, damage may occur.

### Custom Panel Specifications

- Handle not included, match to custom cabinetry.
- Panel Dimensions – 30-1/8" H max. x 23-11/16" W x 3/4" D
- Panel Weight – 12 Lbs. max (including handle)
- Refer to web for detailed custom panel construction and installation instructions.

Note: For planning purposes only. Refer to Product Installation Guide on the web at [electroluxappliances.com](http://electroluxappliances.com) for detailed instructions.

### Optional Accessories

- Mesh Basket – (PN# 154653001).



NSF Protocol for Sanitization and Cleaning Performance of Household Spray-Type Dishwashers (1997)

### Electrolux Major Appliances, N.A.

USA • 250 Bobby Jones Expressway • Augusta, GA 30907 • 1-877-4electrolux (1-877-435-3287) • [electroluxappliances.com](http://electroluxappliances.com)  
 CANADA • 5855 Terry Fox Way • Mississauga, ON L5V 3E4 • 1-800-265-8352 • [electroluxappliances.ca](http://electroluxappliances.ca)