

Gas Drop-In Cooktops

EW30GC55G S, EW30GC55G W, EW30GC55G B



Min-2-Max™ Burner

Designed with a dual-flame sealed burner, this cooktop offers the widest range of BTU performance in the industry for the utmost versatility – from a roaring 18,000-BTU boil to a gentle 450-BTU simmer.



Continuous Grates

Designed for cooking multiple dishes at varying temperatures on a single cooktop. These grates allow easy movement of even the heaviest pots and pans from burner to burner – without lifting.



Flex-2-Fit™ System

Premium gas cooktop versatility with sealed burners. Premium performance accessories include a grill/griddle, an optional wok ring, and a simmer plate to use with small cooking utensils.



Easy-to-Clean Design

Deep-well cooktop and sealed burners are designed for easy cleaning.

30" GAS DROP-IN COOKTOPS

Features

Deep-Well Formed Cooktop	Yes
Professional-Grade Burner Controls	Yes
Continuous Grates	Yes
Min-2-Max™ Dual-Flame Sealed Burner – 18,000 - 450 BTU	1
Sealed Power Burner – 14,000 BTU	1
Sealed Precision Burner – 9,500 BTU	1
Sealed Precision Burner – 5,000 - 850 BTU	1
Linear Flow Burner Valves	Yes
Electric Pilotless Ignition	Yes

Accessories

Grill/Griddle	Included
Wok Ring – 318254307	Optional
Simmer Plate – 318254208	Optional
LP Conversion Kit	Included

Color / UPC (0-57112-)

Stainless Steel (S)	09716-9
White (W)	09714-5
Black (B)	09715-2

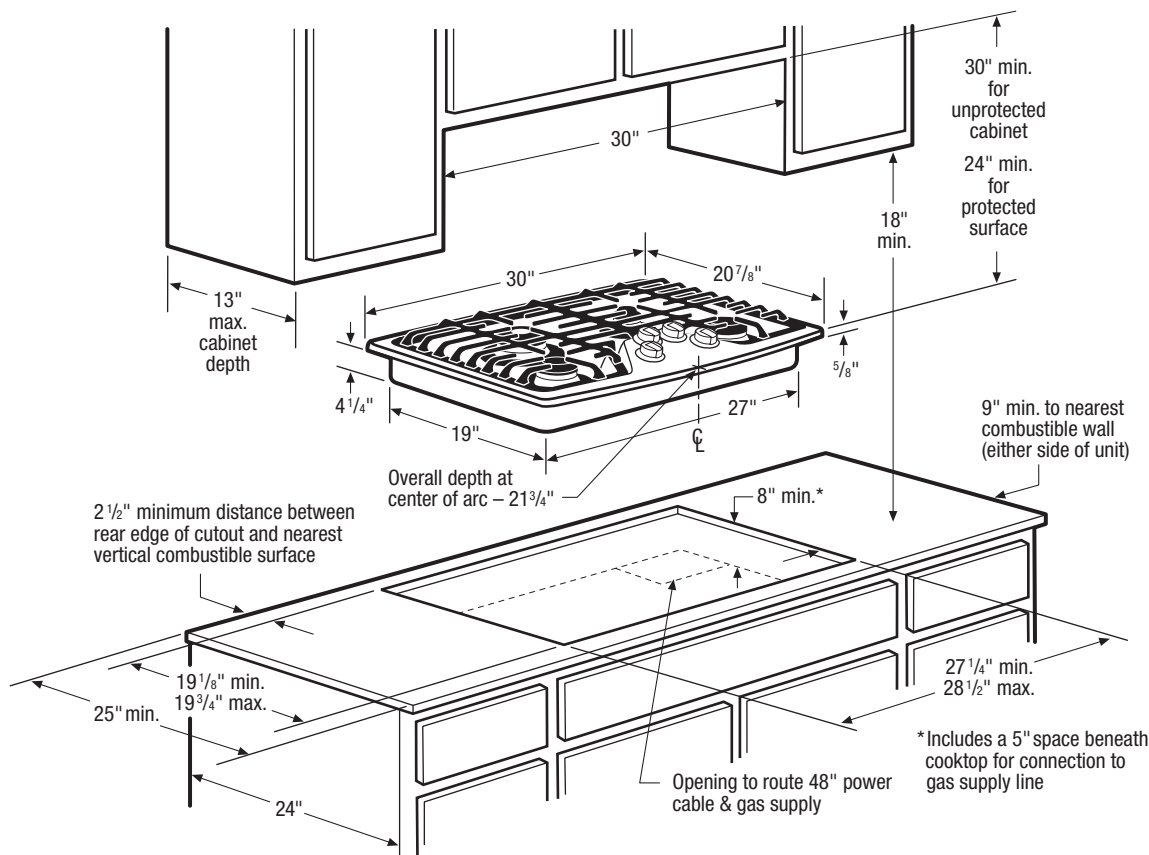
Specifications

Overall Exterior Dimensions –	
Height (Extreme Bottom to Underside of Cooktop) (Extreme Bottom to Topside of Cooktop)	4-1/4" 4-7/8"
Width	30"
Depth (to Front Corner) (to Center of Arc)	20-7/8" 21-3/4"
Gas / Power Supply Connection Location	Right Rear
Voltage Rating	120V / 60Hz / 15A
Connected Load (kW Rating) @ 120 Volts†	.001
Electrical Cable	Yes
Approved for Single Oven Combination Installation*	Yes
Product Weight	43 Lbs.
Shipping Weight (Approx.)	54 Lbs.

†For use on adequately wired 120V, dedicated circuit having 2-wire service with a separate ground wire. Appliance must be grounded for safe operation.

NOTE: Always consult local and/or national electric and gas codes. Refer to Product Installation Guide for detailed installation instructions on the web at www.electroluxappliances.com. Specifications subject to change.

*Approved to be used over any Electrolux Single Wall Oven.



30" Gas Drop-In Cooktop Specifications

- Product Weight – 43 Lbs.
- Voltage Rating – 120V/60Hz/15 Amps
- Connected Load (kW Rating) @ 120 Volts = .001 kW (For use on adequately wired 120V, dedicated circuit having 2-wire service with a separate ground wire. Appliance must be grounded for safe operation.)
- Amps @ 120 Volts = 1.0 Amps
- Always consult local and/or national electric and gas codes.
- Recommended location for grounded 120V outlet is on rear wall in an 8" wide by 10" high area, positioned 22" above floor surface and 12" to right side of cooktop centerline. Access to underside of cooktop and junction box must be provided for inspection and service.
- Cooktop ships with 3/4" factory regulator.
- Lp conversion kit supplied.
- Overhead cabinetry should not exceed a 13" maximum depth.
- Allow 30" minimum clearance between top of cooktop and bottom of unprotected wood or metal overhead cabinetry.
- Absolute minimum horizontal distance between overhead cabinets installed to either side of appliance must be no less than maximum width of appliance.

- Allow 24" minimum clearance when bottom of wood or metal overhead cabinet is protected by not less than 1/8" flame-retardant millboard covered with not less than No. 28 MGS sheet steel, 0.015" stainless steel, 0.024" aluminum or 0.020" copper.
- Allow 2-1/2" minimum distance between rear edge of cutout to nearest combustable surface above countertop.
- Allow 9" minimum clearance from edge of cooktop to nearest combustable wall on either side of unit.
- Drawers cannot be installed beneath this cooktop.
- To reduce risk of fire when using overhead cabinetry, install range hood that projects horizontally a recommended minimum of 5" beyond bottom of cabinets.
- Gas Drop-In Cooktop model EW30GC55G is approved to be used over any Electrolux Single Wall Oven.

Note: For planning purposes only. Refer to Product Installation Guide on the web at electroluxappliances.com for detailed instructions.

Optional Accessories

- Simmer Plate – (318254208).
- Wok Ring – (318254307).