



# Electrolux

*introducing the new collection*  
from the premium kitchen appliance brand  
that has been used in Europe for over 70 years.







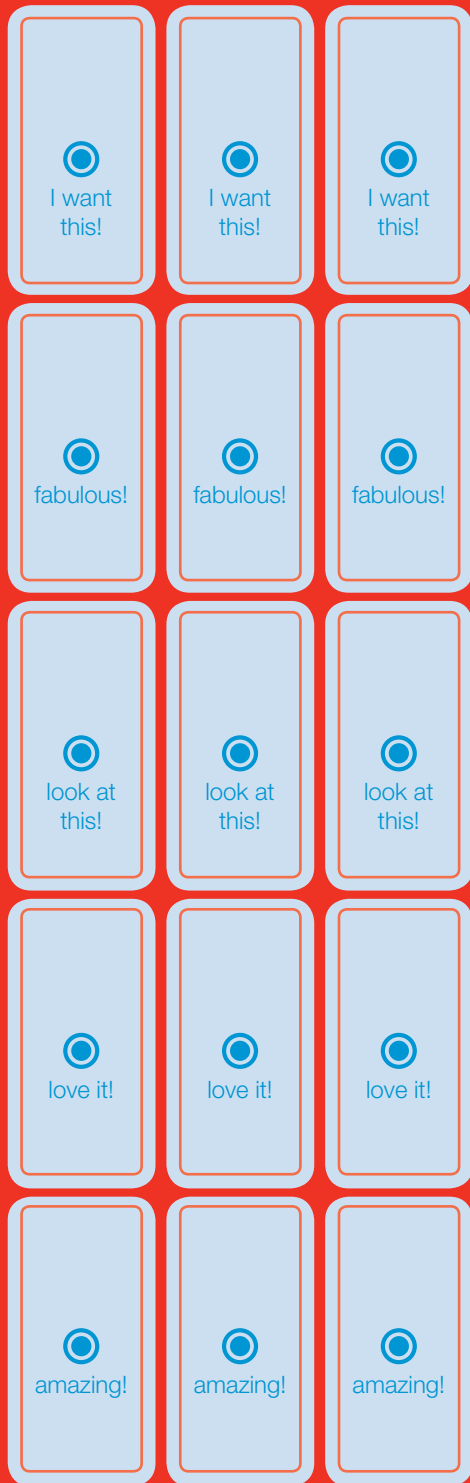


# Electrolux

What's to love about the new European-designed appliance collection from Electrolux?

Stylish, European good looks; innovative performance you can count on; and ingenious features that help make you even more amazing.

◀ Use these stickers to flag your favorites.



Ingenious Features .....	5
Cooking .....	9
Wall Ovens .....	11
Warmer Drawers .....	17
Cooktops .....	21
Built-In Ranges .....	33
Freestanding Ranges.....	41
Over-the-Range Microwaves .....	49
Built-in Microwaves .....	51
Ventilation .....	55
Dishwashers .....	63
Refrigeration .....	69
Upright Freezers .....	77
Beverage Center .....	81
Refrigerator Drawers.....	85
Under-Counter Ice Maker .....	89
Wine Cooler.....	93
European Style Wine Tower .....	97
Warranty Information .....	100



# Introducing Electrolux.

●●● *innovative performance.*  
*ingenious features.*

A new line of premium appliances from Europe's leading premium appliance brand. Electrolux appliances have been used in fine European homes and restaurants for over 70 years. Now, Electrolux is bringing that same level of uncompromising quality and performance to North America with the launch of its latest appliance collection.

At last — European design within reach.



## Your Kitchen. Your Style.

The stylishly designed line of Electrolux appliances boasts a distinctive look with a curved-front design and signature blue LEDs. Plus, first-in-its-class features such as one button you push to cook a perfect turkey or a new induction hybrid cooktop that boils water in 90 seconds — no kidding!

Tired of wrestling with your oven racks to take out an oversized roast? Electrolux ovens and ranges feature Luxury-Glide™ racks with a ball-bearing system that is so smooth they extend effortlessly.

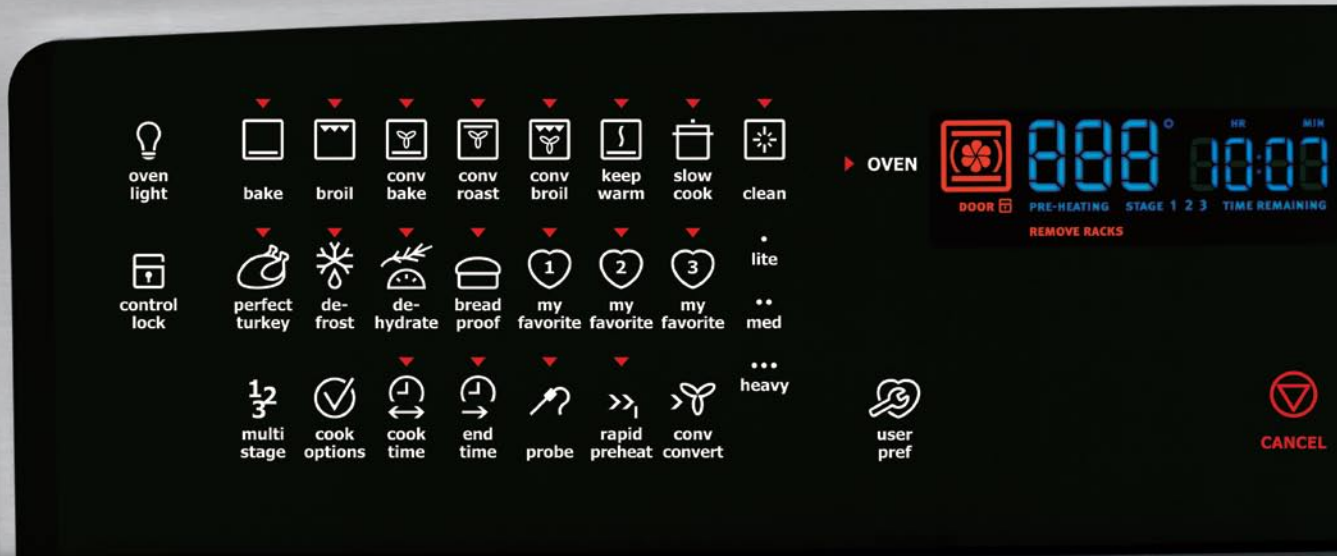
Can't find last night's lasagna in the refrigerator? Only Electrolux appliances feature Luxury-Design™ lighting — bright, ramp-up designer lighting that is as beautiful as it is functional.

Craving a sleek, streamlined look? Experience love at first touch. Only Electrolux appliances have Wave-Touch™ controls. One simple touch and the control panel activates, showing virtually endless cooking options. After you make your choices, all but the options selected will fade away, returning to an elegant display.

Intrigued? Read on to learn more about the new Electrolux European-designed premium appliance collection.

*(Psst ... or drop into our Virtual Kitchen at [electroluxappliances.com](http://electroluxappliances.com).)*





# Ingenious Features

*available only from Electrolux*

Electrolux gives you an amazing range of capabilities, so everything comes together just the way you want it to. Versatile appliances that let you do it better, faster and easier.

## *more choices*

Endless cooking options on Electrolux wall ovens and ranges, and a new induction hybrid cooktop with two induction elements and up to three electric elements equals the latest cooking technology and ultimate versatility.

## *more room*

Electrolux offers double oven ranges with the largest total cooking capacity in the industry, the largest-usable-capacity dishwasher in its class\* and counter-depth refrigerators that offer the same shelf space as a standard-depth refrigerator.

## *more flexibility*

From a dishwasher with custom cycles to coddle your stemware, to ranges and cooktops with Min-2-Max™ burners, offering the widest performance range — from simmer to boil.

## *more customization*

With 'My Favorite' settings, you can customize the setting to meet your needs — so the option you want is available at the touch of a button. Now you can do more, just the way you want.

## *more energy-efficient*

All Electrolux products are ENERGY STAR® qualified, where applicable. They are at least 20% more efficient than non-ENERGY STAR® qualified appliances.

\* As measured by adjusted rack space.





## Two control-panel options:



### Wave-Touch™ Controls

One simple touch and the control panel activates, showing the virtually endless cooking options. After you make your choices, all but the selected options will fade away, returning to an elegant display.



### IQ-Touch™ Controls

For those who like to have their options always visible, the IQ-Touch™ control panel displays the virtually endless cooking options at all times.



### *perfect feature™ collection*

#### **Perfect Stemware™ Cycle**

Ensures spotlessly clean stemware.

#### **Perfect Turkey™ Button**

Ensures moist, delicious poultry every time. Imagine stress-free holiday cooking.

#### **Perfect Set™ Controls**

Allow precise control over temperatures so you can quickly raise or lower temperatures when cooking, keep your finished dishes warm and at the perfect serving temperature or keep your beverages chilled perfectly. Available on refrigerators, ranges, cooktops, warmer drawers and select under-counter products.

### *luxury feature™ collection*

#### **Luxury-Glide™ Racks and Shelves**

With a ball-bearing system, racks and shelves are so smooth they extend effortlessly. Luxury-Glide™ racks and shelves are standard in Electrolux freestanding and built-in ranges, wall ovens, refrigerators and dishwashers. The Luxury-Glide™ system can also be found in our freezers, warmer drawers and other specialty products.

#### **Luxury-Design™ Lighting**

Our ramp-up designer lighting is as beautiful as it is functional.

#### **Luxury-Close™ Doors and Drawers**

For a smooth close every time.

#### **Luxury-Hold™ Doors**

Our dishwasher and oven doors stay put at whatever angle you place them.



used in **Europe** for over 70 years.



Double  
Wall Oven



Single  
Wall Oven



Warmer  
Drawer



Induction  
Hybrid Cooktop



Gas  
Cooktop



Electric  
Cooktop



Over-the-Range  
Microwave



Built-In  
Microwave



Dual-Fuel  
Built-In Range



Gas  
Built-In Range



Electric  
Built-In Range



Dual-Fuel  
Freestanding Range



Gas  
Freestanding Range



Electric  
Freestanding Range

now available in **America.**



Counter-Depth  
Refrigerator



Standard-Depth  
Refrigerator



Upright Freezer



Fully Integrated-  
Control Dishwasher



Integrated-Control  
Dishwasher With  
Front Display



Panel-Ready  
Dishwasher



Chimney  
Wall-Mount Hood



Glass Canopy  
Wall-Mount Hood



Glass Canopy  
Island-Mount Hood



Refrigerator  
Drawers



European Style  
Wine Tower



Wine Cooler

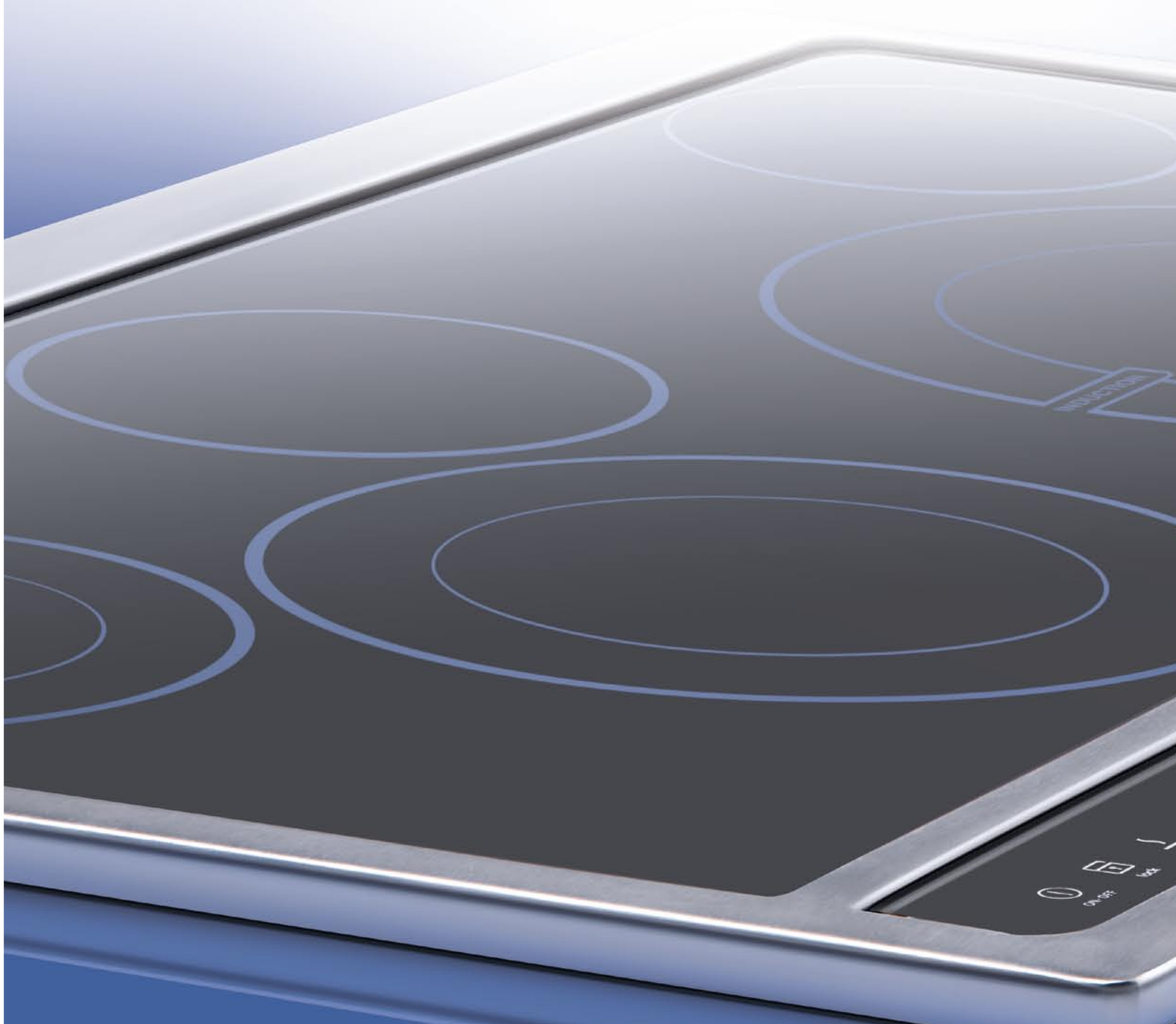


Beverage Center



Ice Maker

Design that works ...





Electrolux cooking appliances are designed with meaningful features to help you be even more amazing in your kitchen. From a Perfect Turkey™ button to help with holiday cooking, to an induction hybrid cooktop that boils water in 90 seconds, Electrolux offers products to handle all of your cooking needs. With Electrolux, the right tools are at your fingertips.

**Wall ovens** offer the luxury of endless cooking and baking options, plus helpful extras like convection cooking, smooth Luxury-Glide™ racks, and intuitive settings and controls.

**Warmer drawers** are the secret to multi-course meals. Precisely controlled temperature and humidity keep cooked food at the peak of flavor.

**Cooktops** provide almost infinite flexibility. Choose gas, electric or induction hybrid (shown at left) and options like grills/ griddles and woks to match your cooking style.

**Ranges** handle all your cooking needs. Take your pick of gas or electric models — or have the best of both worlds with a dual-fuel range.

**Microwave ovens** are a must for quick and healthy cooking, and our over-the-range or built-in models blend beautifully with our other Electrolux appliances.

**Ventilation hoods** whisk away odors generated by cooking while adding timeless style and conveniences, like halogen lighting and timers.

Drop into our Virtual Kitchen.  
Go to [electroluxappliances.com](https://www.electroluxappliances.com).



# Wall Ovens

*now you can bake a perfect soufflé.  
or the perfect cupcake.*

- ● ● Electrolux wall ovens give you the flexibility of extra cooking space, plus intuitive features that make preparing your favorite recipes even more enjoyable. They offer a wide variety of cooking and baking options, plus stylish design that enhances the beauty of your kitchen. Ingenious features — designed to make cooking more luxurious — include Wave-Touch™ controls, Luxury-Glide™ racks, Luxury-Design™ Lighting and Luxury-Hold™ doors.

In addition, models offer convection cooking modes that let you quickly and evenly cook food to perfection, while multi-stage cooking options tame even the most complicated recipe.

Our wall ovens are also outfitted with innovative features such as:

- Perfect Turkey™ button
- 'My Favorite' settings
- Bread-Proof mode
- Slow-Cook mode

Available in both 30" and 27" sizes, in both double and single ovens, our wall ovens are designed with innovative features that help you be even more amazing.



works  
well with ...

**Opposite:**

**Consider adding an Electrolux warmer drawer to your kitchen. It keeps food or plates warm and ready to serve, making it the perfect solution when dinner is delayed, or when multi-course meals are on the menu.**

## Wave-Touch™ Wall Ovens



30" Double Wall Oven  
EW30EW65G S/W/B



30" Single Wall Oven  
EW30EW55G S/W/B



27" Double Wall Oven  
EW27EW65G S/W/B



27" Single Wall Oven  
EW27EW55G S/W/B

Available in:



Stainless



White



Black

## works well with ...

Cooktops, warmer drawers and built-in microwaves are the perfect complement.





## Innovative Features

Available on select models.  
See next page for complete features and specifications.



### Wave-Touch™ Controls

One simple touch and the control panel activates, showing the virtually endless cooking options. After you make your choices, all but the options selected will fade away, returning to an elegant display.



### Luxury-Glide™ Oven Racks

With a ball-bearing system, oven racks are so smooth they extend effortlessly.



### Luxury-Hold™ Door

Our oven door stays put at whatever angle you place it.



### Sure-2-Fit™ Capacity

Coordinate an entire meal — our oven features 4.2 cu. ft. of cooking space with three adjustable baking racks.



### Perfect Turkey™ Button

Ensures moist, delicious poultry every time. Imagine stress-free holiday cooking.



### Perfect Convection3™

Our convection technology features a third convection element for consistently even results, up to 30% faster cooking times and even more baking options.

## Even More Innovative Features

**Luxury-Design™ Lighting.** Our ramp-up designer halogen lighting is as beautiful as it is functional.

**Hidden Bake Element.** The lower bake element is hidden beneath a smooth surface, allowing convenient, easy cleanup.

### Convection Conversion

**Cooking Modes.** Bake, Broil, Convection Bake, Convection Roast, Convection Broil, Keep Warm and Slow Cook.

**Baking Options.** Perfect Turkey™, Defrost, Dehydrate, Bread-Proof, My Favorites, Multi-Stage Cooking, Temperature Probe and Rapid Preheat.

### 'My Favorite' Setting

### Delay Bake

### Eight-Pass Hidden Bake and Broil Element

### Extra-Large Glass Window

### Signature Cobalt Blue Interior

### Multiple Self-Clean Options with Automatic Door Lock

### Signature Soft-Arc Oven Door and Handle Design

### Platinum Star™ Warranty

### Sabbath Mode (Star-K® Certified)

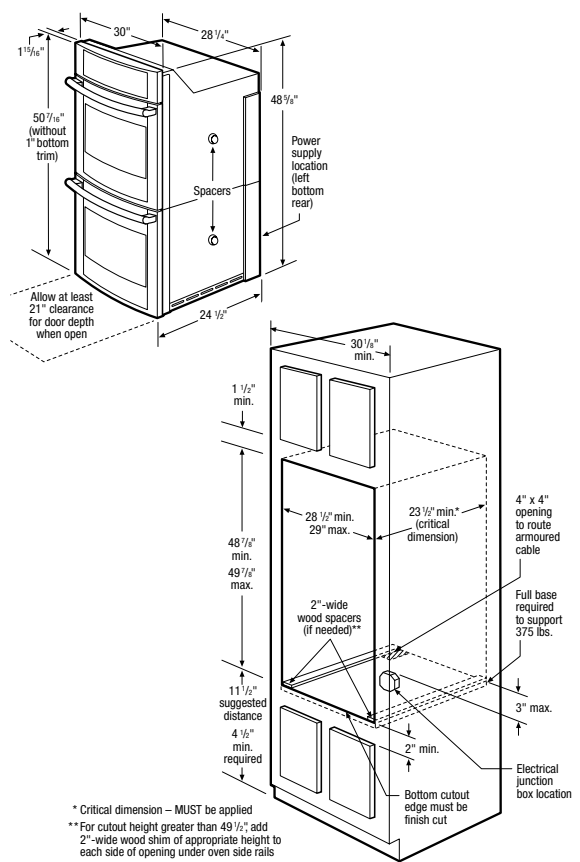
Drop into our Virtual Kitchen. Go to [electroluxappliances.com](http://electroluxappliances.com).

# Electrolux Double Wall Oven Specifications

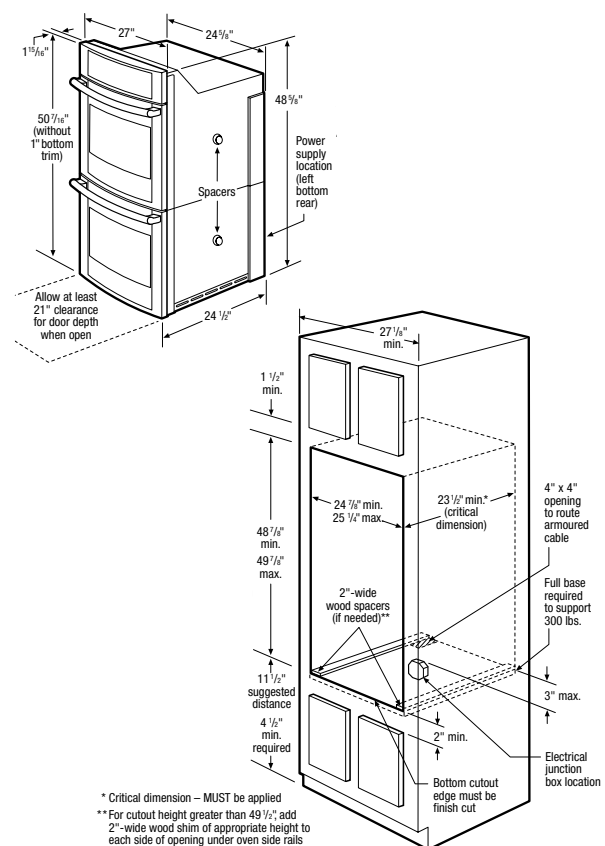
<b>ELECTRIC DOUBLE WALL OVENS</b>	<b>EW30EW65G</b>	<b>EW27EW65G</b>
Configuration	Double	Double
Sabbath Mode (Star-K® Certified)	Yes	Yes
<b>Control Panel Features</b>		
Wave-Touch™ Electronic Oven Controls	Yes	Yes
Keypad Entry of Time & Temperature	Yes	Yes
Electronic Clock & Timer	Yes	Yes
Temperature Display	Yes	Yes
Toggle Control	Yes	Yes
Automatic Oven (Delay, Cook & Off)	Yes	Yes
Control Lockout	Yes	Yes
Automatic Oven Shutoff – 12 Hour	Yes	Yes
Programmable for °F or °C	Yes	Yes
<b>Oven Features</b>		
Oven Cavity (both ovens)	4.2 Cu. Ft.	3.5 Cu. Ft.
Hidden Bake Element	Yes	Yes
Electric Bake Element	2,200W	1,450W
Eight-Pass Hidden Bake and Broil Element	4,000W	3,400W
Convection Element	2,500W	2,500W
Cobalt Blue Interior	Yes	Yes
Self-Clean Options with Door Lock	3	3
Perfect Convect3® Variable Two-Speed Fan	Yes	Yes
Cooking Modes – Bake, Broil, Convection Bake, Convection Roast, Convection Broil, Keep Warm and Slow Cook	7	7
Cooking Options – Perfect Turkey®, Defrost, Dehydrate, Bread-Proof, 'My Favorites', Multi-Stage Cooking, Temperature Probe, Rapid Preheat, Delay Bake, Convection Convert	10	10
Luxury-Design™ Lighting with Dual 40W Halogen Bulbs	Yes	Yes
Luxury-Glide™ Racks	2	2
Conventional Racks	1	1
Convection Roasting Rack	Yes	Yes
<b>Additional Features</b>		
Signature Soft-Arc Oven Door and Handle Design	Yes	Yes
Luxury-Hold™ Oven Doors	Yes	Yes
Extra-Large Glass Windows	Yes	Yes
<b>Accessories</b>		
Porcelain Broiler Pan and Insert	Included	Included
Optional 3"-High Bottom Trim	S – 903114-9110 W – 903114-9101 B – 903114-9100	S – 903114-9020 W – 903114-9011 B – 903114-9010
<b>Color / UPC (0-57112)</b>		
Stainless Steel (S)	09713-8	09710-7
White (W)	09711-4	09708-4
Black (B)	09712-1	09709-1
<b>Specifications</b>		
Oven Cavity Dimensions –		
Height	16-1/2"	16-1/2"
Width	24-1/8"	20-1/2"
Depth	18-1/32"	18-1/32"
Overall Exterior Dimensions –		
Height (Including Bottom Trim)	50-7/16"	50-7/16"
Width	30"	27"
Depth (to Front Door Corner) (with 90° Door Open)	24-1/2"	24-1/2"
Power Supply Connection Location	Left Bottom Rear	Left Bottom Rear
Connected Load (kW Rating) @ 240 / 208 Volts	8.0 / 6.0	6.8 / 5.1
Amps @ 240 / 208 Volts	33.0 / 29.0	28.0 / 25.0
Minimum Circuit Required (Amps)	40	30
Armored Electrical Cable	Included	Included
Product Weight	375 Lbs.	300 Lbs.
Shipping Weight	395 Lbs.	320 Lbs.

NOTE: Always consult local and/or national electric codes. Refer to Product Installation Guide for detailed installation instructions on the Web at [electroluxappliances.com](http://electroluxappliances.com). Specifications subject to change.

30" Double Wall Oven  
EW30EW65G W/B/S



27" Double Wall Oven  
EW27EW65G W/B/S



# Electrolux Single Wall Oven Specifications

## ELECTRIC SINGLE WALL OVENS EW30EW55G EW27EW55G

Configuration	Single	Single
Sabbath Mode (Star-K® Certified)	Yes	Yes
<b>Control Panel Features</b>		
Wave-Touch™ Electronic Oven Control	Yes	Yes
Keypad Entry of Time & Temperature	Yes	Yes
Electronic Clock & Timer	Yes	Yes
Temperature Display	Yes	Yes
Automatic Oven (Delay, Cook & Off)	Yes	Yes
Control Lockout	Yes	Yes
Automatic Oven Shutoff — 12 Hour	Yes	Yes
Programmable for °F or °C	Yes	Yes

<b>Oven Features</b>		
Oven Cavity	4.2 Cu. Ft.	3.5 Cu. Ft.
Hidden Bake Element	Yes	Yes
Electric Bake Element	2,200W	1,450W
Eight-Pass Hidden Bake and Broil Element	4,000W	3,400W
Convection Element	2,500W	2,500W
Cobalt Blue Interior	Yes	Yes
Self-Clean Options with Door Lock	3	3
Perfect Convect3™ Variable Two-Speed Fan	Yes	Yes
Cooking Modes — Bake, Broil, Convection Bake, Convection Roast, Convection Broil, Keep Warm and Slow Cook	7	7
Cooking Options — Perfect Turkey™, Defrost, Dehydrate, Bread-Proof, 'My Favorites', Multi-Stage Cooking, Temperature Probe, Rapid Preheat, Delay Bake, Convection Convert	10	10
Luxury-Design™ Lighting with Dual 40W Halogen Bulbs	Yes	Yes
Luxury-Glide™ Racks	2	2
Conventional Racks	1	1
Convection Roasting Rack	Yes	Yes

<b>Additional Features</b>		
Signature Soft-Arc Oven Door and Handle Design	Yes	Yes
Luxury-Hold™ Oven Door	Yes	Yes
Extra-Large Glass Window	Yes	Yes

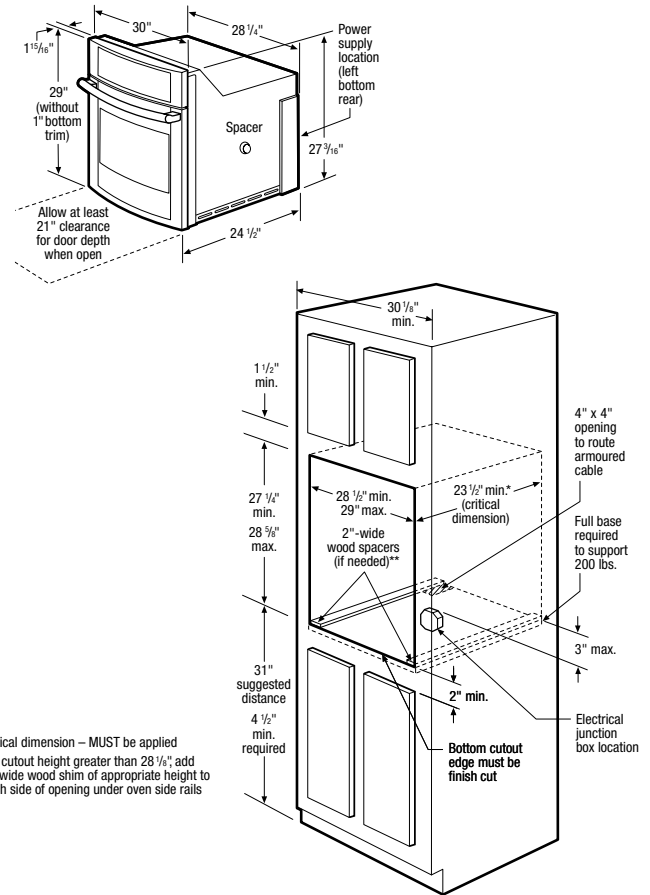
<b>Accessories</b>		
Porcelain Broiler Pan and Insert	Included	Included

<b>Color / UPC (0-57112)</b>		
Stainless Steel ( S )	09707-7	09704-6
White ( W )	09705-3	09702-2
Black ( B )	09706-0	09703-9

<b>Specifications</b>		
<b>Oven Cavity Dimensions —</b>		
Height	16-1/2"	16-1/2"
Width	24-1/8"	20-1/2"
Depth	18-1/32"	18-1/32"
<b>Overall Exterior Dimensions —</b>		
Height (Including Bottom Trim)	29"	29"
Width	30"	27"
Depth (to Front Door Corner) (with 90° Door Open)	24-1/2" 44"	24-1/2" 44"
Power Supply Connection Location	Left Bottom Rear	Left Bottom Rear
Connected Load (kW Rating) @ 240 / 208 Volts	4.0 / 3.0	3.4 / 2.6
Amps @ 240 / 208 Volts	17.0 / 14.5	14.2 / 12.6
Minimum Circuit Required (Amps)	20	20
Armored Electrical Cable	Included	Included
Approved for Under-Counter Installation*	Yes	Yes
Product Weight	200 Lbs.	150 Lbs.
Shipping Weight	218 Lbs.	168 Lbs.

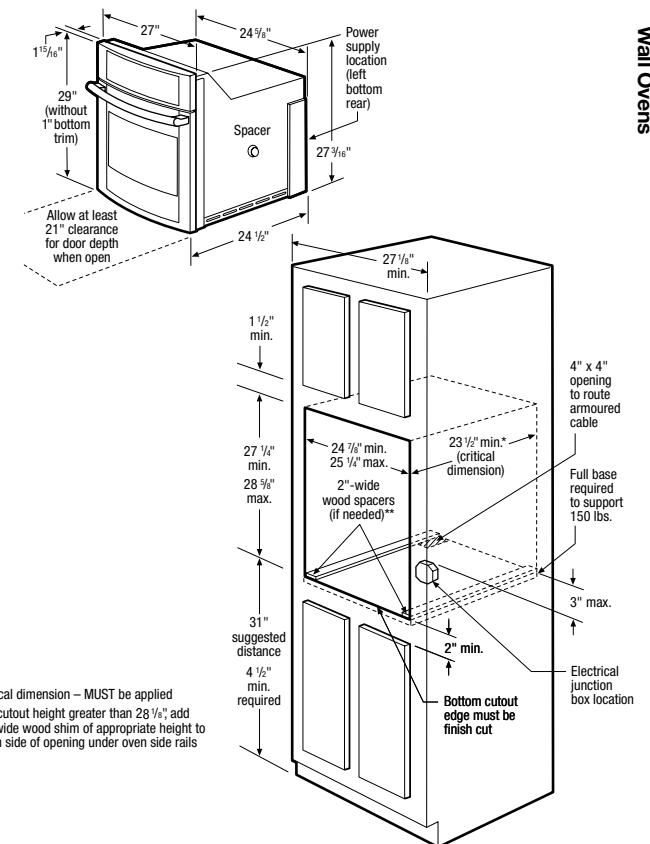
\*Single wall oven is approved to be used beneath Electrolux gas cooktop models EW30GC55G and EW36GC55G; and Electrolux electric cooktop models EW30CC55G, EW36CC55G, EW30EC55G and EW36EC55G.  
 NOTE: Always consult local and/or national electric codes. Refer to Product Installation Guide for detailed installation instructions on the Web at [electroluxappliances.com](http://electroluxappliances.com).  
 Specifications subject to change.

30" Single Wall Oven  
EW30EW55G W/B/S



\* Critical dimension — MUST be applied  
 \*\* For cutout height greater than 28 3/8 inch, add 2 inch-wide wood shim of appropriate height to each side of opening under oven side rails

27" Single Wall Oven  
EW27EW55G W/B/S



\* Critical dimension — MUST be applied  
 \*\* For cutout height greater than 28 3/8 inch, add 2 inch-wide wood shim of appropriate height to each side of opening under oven side rails

Wall Ovens



# Warmer Drawers

*what a finishing touch.*

- ● ● The Electrolux warmer drawer keeps food or plates warm and ready to serve. It's the perfect solution when dinner is delayed, or when multi-course meals are on the menu.



30" Warmer Drawer  
EW30WD55G S



27" Warmer Drawer  
EW27WD55G S



## Innovative Features

Available on select models.  
See next page for complete features and specifications.



### Luxury-Glide™ Technology

Our warmer drawer uses a ball-bearing system that is so smooth it extends effortlessly.



### Perfect Set™ Electronic Controls

Allow a more precise selection of heat levels between 80 and 210 degrees.



### Humidity Controls

Keep foods from drying out before serving.



### Keep-Warm Setting

Ensures food remains ready to serve without being overcooked.



### Bread-Proofing Setting

Features an ideal temperature setting for dough to rise.



works well with ...

Complement your warmer drawer with an Electrolux cooktop. They have a professional look, professional power and an easy-to-clean design that makes them the perfect addition to your kitchen.

### Even More Innovative Features

**Complementary Design.** Coordinates perfectly with Electrolux 27" and 30" wall ovens.

**Versatile Half-Width Rack**

**Stainless-Steel Interior**

**Four-Hour Auto Power-Off**

**Blue LED On/Off Indicator**

**Temperature Range Between 80 and 210 Degrees**

**Signature Soft-Arc Door and Handle Design**

**Platinum Star™ Warranty**

Drop into our Virtual Kitchen. Go to [electroluxappliances.com](http://electroluxappliances.com).

# Electrolux Warmer Drawer Specifications

<b>WARMER DRAWERS</b>	<b>EW30WD55G</b>	<b>EW27WD55G</b>
Capacity	1.6 Cu. Ft.	1.3 Cu. Ft.
<b>Features</b>		
Perfect Set™ Electronic Controls	Yes	Yes
Blue LED Display	Yes	Yes
Automatic Shutoff – Four Hour	Yes	Yes
Humidity Control	Yes	Yes
Heating Element (Watts)	450W	450W
Luxury-Glide™ Full-Extension Drawer Glides	Yes	Yes
Element "ON" Blue Indicator Light	Yes	Yes
Stainless-Steel Drawer Interior	Yes	Yes
Half-Width Rack	Yes	Yes
<b>Additional Features</b>		
Signature Soft-Arc Drawer Front and Handle Design	Yes	Yes
<b>Color / UPC (0-57112)</b>		
Stainless Steel ( S )	09692-6	09693-3
<b>Specifications</b>		
Drawer Interior Dimensions –		
Height	6-1/2"	6-1/2"
Width	20-15/16"	17-15/16"
Depth	19-1/4"	17-3/4"
Overall Exterior Dimensions –		
Height	11-1/4"	11-1/4"
Width	30"	27"
Depth (to Front Drawer Corner) (Fully Extended Including Handle)	23-3/8" 45"	23-3/8" 45"
Temperature Range	80°F – 210°F	80°F – 210°F
Power Supply Connection Location	Right Center Rear	Right Center Rear
Voltage Rating	120V / 60Hz / 15A	120V / 60Hz / 15A
Connected Load (kW Rating) @ 120 Volts*	.45	.45
Amps @ 120 Volts	3.75	3.75
Minimum Circuit Required (Amps)	15	15
60" Electrical Cable	Included	Included
Approved for Under-Counter Installation	Yes	Yes
Product Weight	65 Lbs.	55 Lbs.
Shipping Weight	80 Lbs.	70 Lbs.

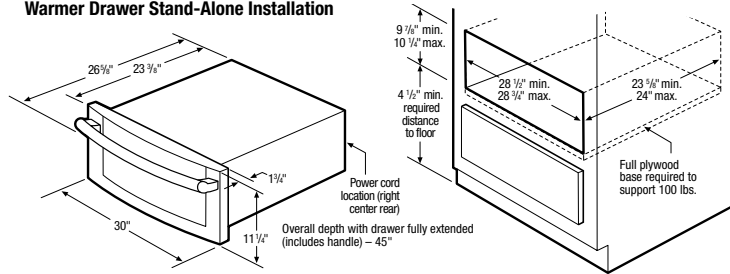
*NOTE: Always consult local and/or national electric codes. Refer to Product Installation Guide for detailed installation instructions on the Web at [electroluxappliances.com](http://electroluxappliances.com).*

*\*For use on adequately wired 120V, dedicated circuit having 2-wires service with a separate ground wire. Appliance must be grounded for safe operation.*

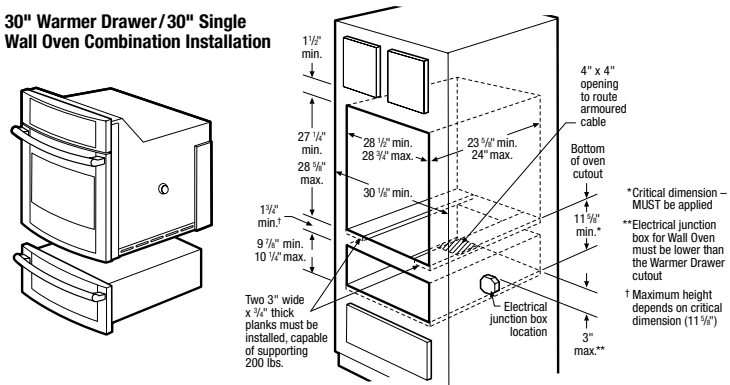
Specifications subject to change.

30" Warmer Drawer  
EW30WD55G S

**Warmer Drawer Stand-Alone Installation**

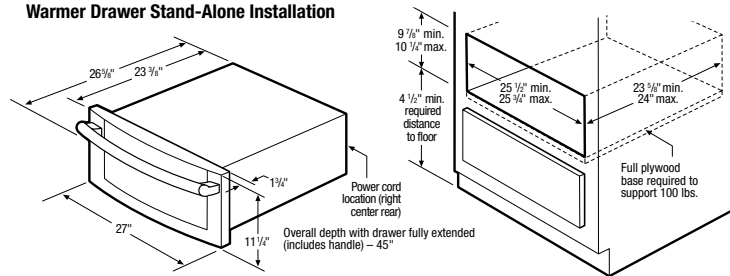


**30" Warmer Drawer/30" Single Wall Oven Combination Installation**

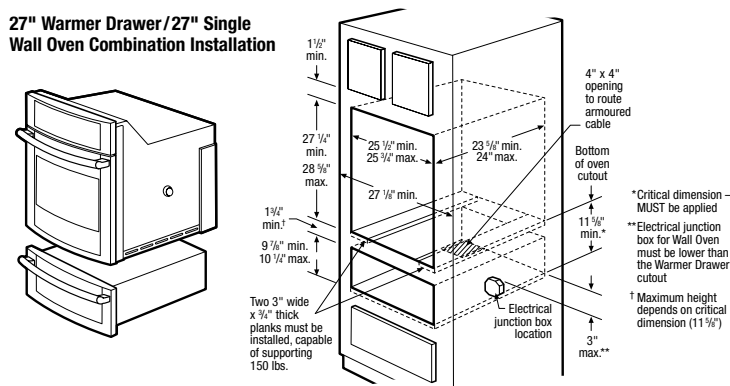


27" Warmer Drawer  
EW27WD55G S

**Warmer Drawer Stand-Alone Installation**



**27" Warmer Drawer/27" Single Wall Oven Combination Installation**





*you'll like the way it looks. you'll love the way it cooks.*





# Cooktops



With its remarkable range of configurations and options, the Electrolux cooktop collection offers almost limitless possibilities.

- **Electrolux induction hybrid** cooktops combine two powerfully efficient induction elements with up to three electric elements to give you ultimate versatility and the latest technology — all within a sophisticated smoothtop surface.
- **Electrolux gas cooktops** have long been the favorite of home and commercial chefs due to their powerful heat and quick, precise temperature control. The Min-2-Max™ burner goes from 450 to 18,000 BTU — offering the widest performance range in the industry.
- **Electrolux electric cooktops** adapt to any size or type of cookware while offering a sleek, glass ceramic cooking surface.

## Induction Hybrid Cooktops



36" Induction Hybrid Cooktop  
with five elements  
(two induction, three electric)  
EW36CC55G



30" Induction Hybrid Cooktop  
with four elements  
(two induction, two electric)  
EW30CC55G

Available in:



Stainless



White



Black

## What is induction?

Cooks who are new to induction cooking will realize its benefits immediately — faster, more responsive heating, more energy-efficient cooking and easier cleanup. It takes cooking to a whole new level by combining the benefits of gas and electric cooktops — the power of gas and the easy cleanup of electric.

Using electromagnetic energy, heat is transferred directly to the cookware, so the cooktop remains cooler. And induction allows for more precise control when cooking — you can instantly adjust the heat to a delicate simmer or bring to a quick boil.



# Innovative Features

Available on select models. See page 29 for complete features and specifications.



## 10" and 6" Induction Elements

Boil water in 90 seconds with the 10" induction element, which offers 3,200 watts of power.



## More Responsive

Cooking with induction is more responsive than a gas cooktop — you can instantly adjust the heat to a delicate simmer or bring to a quick boil.



## Exceptional Temperature Control

Adjust heat with pinpoint accuracy, especially at lower settings.



## Cookware Compatibility

Electrolux induction hybrid cooktops include a combination of electric elements that are compatible with all cookware, and induction elements that are compatible with most cookware — if a magnet sticks to the bottom of the pot or pan, it will work.



## Perfect Set™ Controls

Up to 25 digital preset touch settings immediately raise or lower temperatures so cooking can begin at any time — without waiting for preheating.



## More Energy-Efficient

50% more efficient than gas and 25% more efficient than electric.

### Even More Innovative Features

**Cooking Flexibility.** The sensors automatically detect the presence of magnetic cookware, activate the induction field and adjust it to the exact size of the pan.

**Cooktop Stays Cooler.** Heat is transferred directly to the cookware, so the cooktop stays cooler — making it easier to clean.

**Power Assist Function.** Generates rapid heat for a quick boil.

**Keep-Warm Setting.** Maintains food at the perfect serving temperature, so it's ideal for entertaining.

**Perfect Over a Wall Oven.** Mounts above a single wall oven for additional installation options.

**Signature Blue LED Display**

**Easy-to-Clean Cooktop Surface**

**Control Lockout**

**Dual Expandable Elements**

**Kitchen Timer.** Easy to read at a glance and conveniently located near your cooktop controls.

**Platinum Star™ Warranty**

**Sabbath Mode** (Star-K® Certified)

works well with ...

Whether it's to prepare a quick snack or a spectacular side dish, an Electrolux built-in microwave is the perfect space-saving solution.



## Gas Cooktops



36" Gas Cooktop  
with five burners  
EW36GC55G



30" Gas Cooktop  
with four burners  
EW30GC55G

Available in:



Stainless



White



Black



# Innovative Features

Available on select models. See page 30 for complete features and specifications.



## Min-2-Max™ Burner

Designed with a dual-flame sealed burner, this cooktop offers the widest range of BTU performance in the industry for the utmost versatility — from a roaring 18,000-BTU boil to a gentle 450-BTU simmer.



## Continuous Grates

Designed for cooking multiple dishes at varying temperatures on a single cooktop. These grates allow easy movement of even the heaviest pots and pans from burner to burner — without lifting.



## Professional-Grade Control Knobs

Eliminate guesswork while cooking with more precise control and better feel.



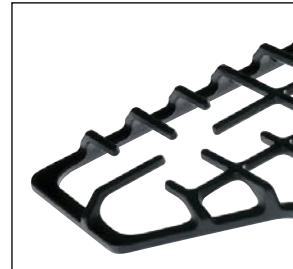
## Deep-Well Design

Keeps spills contained for easy cleanup and lowers the cooking surface to countertop-level, which makes moving oversized pots and pans onto and off of the cooking surface much easier.



## Perfect Over a Wall Oven

Mounts above a single wall oven for additional installation options.



## Dishwasher-Safe Grates

For easy cleanup.

### Even More Innovative Features

**LP Gas Convertible.** Allows installation in locations where natural gas is not available.

**Grill/Griddle Plate Included**

**Platinum Star™ Warranty**

**Optional Accessories:**

- Wok Ring
- Simmer Plate

works well with ...

**Mounted above your cooktop, an Electrolux ventilation hood not only looks great — it's also the perfect solution for quietly removing cooking odors and steam from your kitchen.**



Drop into our Virtual Kitchen. Go to [electroluxappliances.com](http://electroluxappliances.com).

## Electric Cooktops



36" Electric Cooktop  
with five elements  
EW36EC55G



30" Electric Cooktop  
with four elements  
EW30EC55G

Available in:



Stainless



White

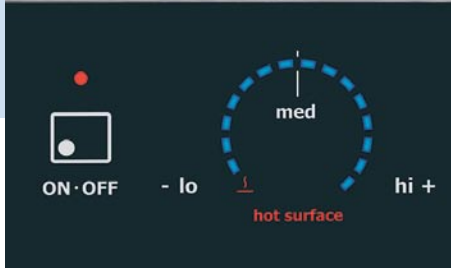


Black



# Innovative Features

Available on select models. See page 31 for complete features and specifications.



## Glide-2-Set™ Control Panel

Heat is controlled by the touch of a finger, resulting in a clean look uncluttered by knobs or dials. These controls are intuitive, precise and very stylish.



## Flex-2-Fit™ Elements

Elements adjust up to three sizes, so the element fits the cookware, not the other way around.



## Smoothtop Surface

Smooth, sealed spill-control top is easy to clean and maintain so it always looks great.



## Perfect Over a Wall Oven

Mounts above a single wall oven for additional installation options.

### Even More Innovative Features

#### Signature Blue LED Display

**Kitchen Timer.** Easy to read at a glance and conveniently located near your cooktop controls.

#### Easy-to-Clean Cooktop Surface

#### Platinum Star™ Warranty

**Sabbath Mode** (Star-K® Certified)

## works well with ...

Perfect for the multi-tasker, an Electrolux single wall oven is designed with innovative features like Luxury-Glide™ oven racks and Wave-Touch™ controls that make cooking an amazing meal easier than ever.



# Electrolux Induction Hybrid Cooktop Specifications

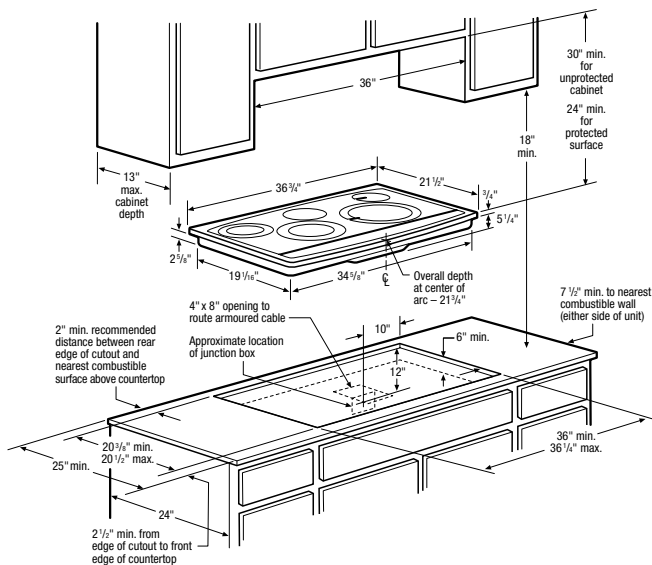
INDUCTION HYBRID COOKTOPS	EW36CC55G	EW30CC55G
<b>Features</b>		
Perfect Set™ Electronic Touch Controls	Yes	Yes
Ceramic Smoothtop Glass Surface	Yes	Yes
6" to 9" Dual Expandable Element — 1,600W / 3,000W	1	1
5" to 7" Dual Expandable Element — 750W / 1,800W	1	
6" Electric Element — 1,200W	1	1
10" Induction Cooking Zone — 2,400W / 3,200W	1	1
6" Induction Cooking Zone — 1,200W / 1,500W	1	1
Hot-Surface Indicator Lights	Yes	Yes
Sealed Spill-Control Cooktop	Yes	Yes
<b>Accessories</b>		
Cleaning Sponge	Included	Included
<b>Color / UPC (0-57112)</b>		
Stainless Steel ( S )	09677-3	09676-6
White ( W ) — Available in Spring 2008.	09679-7	09674-2
Black ( B )	09678-0	09675-9
<b>Specifications</b>		
Overall Exterior Dimensions —		
Height (Extreme Bottom to Underside of Cooktop) (Extreme Bottom to Topside of Cooktop)	5-1/4" 6"	5-1/4" 6"
Width	36-3/4"	30-3/4"
Depth (to Front Corner) (to Center of Arc)	21-1/2" 21-3/4"	21-1/2" 21-3/4"
Power Supply Connection Location	Right Center Rear	Right Center Rear
Connected Load (kW Rating) @ 240 / 208 Volts	9.9 / 8.4	8.1 / 7.1
Amps @ 240 / 208 Volts	41.3 / 40.4	33.8 / 34.1
Minimum Circuit Required (Amps)	40	40
Electrical — Single phase four-wire cable, 120 / 240 Volts or 120 / 208 Volts, 60 Hz, fused on both sides of line with ground.	Required	Required
Armored Electrical Cable	Included	Included
Approved for Single-Oven Combination Installation*	Yes	Yes
Product Weight	62 Lbs.	54 Lbs.
Shipping Weight	70 Lbs.	62 Lbs.

NOTE: Always consult local and/or national electric codes. Refer to Product Installation Guide for detailed installation instructions on the Web at [electroluxappliances.com](http://electroluxappliances.com).

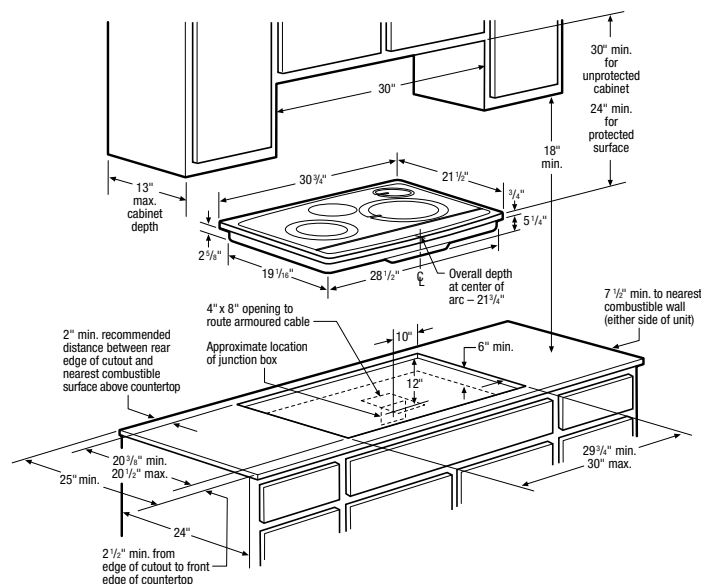
\*Approved to be used over any Electrolux single wall oven.

Specifications subject to change.

36" Induction Hybrid Cooktop  
EW36CC55G B/S



30" Induction Hybrid Cooktop  
EW30CC55G B/S





GAS COOKTOPS	EW36GC55G	EW30GC55G
<b>Features</b>		
Deep-Well Formed Cooktop	Yes	Yes
Professional-Grade Burner Controls	Yes	Yes
Continuous Grates	Yes	Yes
Min-2-Max™ Dual-Flame Sealed Burner — 18,000 – 450 BTU	1	1
Sealed Power Burner — 14,000 BTU	1	1
Sealed Precision Burner — 9,500 BTU	2	1
Sealed Precision Burner — 5,000 – 1,200 BTU	1	
Sealed Precision Burner — 5,000 – 850 BTU		1
Linear-Flow Burner Valves	Yes	Yes
Electric Pilotless Ignition	Yes	Yes
<b>Accessories</b>		
Grill / Griddle	Included	Included
Wok Ring — 318254307	Optional	Optional
Simmer Plate — 318254208	Optional	Optional
LP Conversion Kit	Included	Included
<b>Color / UPC (0-57112)</b>		
Stainless Steel ( S )	09719-0	09716-9
White ( W )	09717-6	09714-5
Black ( B )	09718-3	09715-2

<b>Specifications</b>		
Overall Exterior Dimensions —		
Height (Extreme Bottom to Underside of Cooktop) (Extreme Bottom to Topside of Cooktop)	4-1/4" 4-7/8"	4-1/4" 4-7/8"
Width	36"	30"
Depth (to Front Corner) (to Center of Arc)	20-7/8" 21-3/4"	20-7/8" 21-3/4"
Gas / Power Supply Connection Location	Right Rear	Right Rear
Voltage Rating	120V / 60HZ / 15A	120V / 60HZ / 15A
Connected Load (KW Rating) @ 120 Volts <sup>1</sup>	0.001	0.001
Electrical Cable	Yes	Yes
Approved for Single-Oven Combination Installation <sup>2</sup>	Yes	Yes
Product Weight	53 Lbs.	43 Lbs.
Shipping Weight (Approximate)	64 Lbs.	54 Lbs.

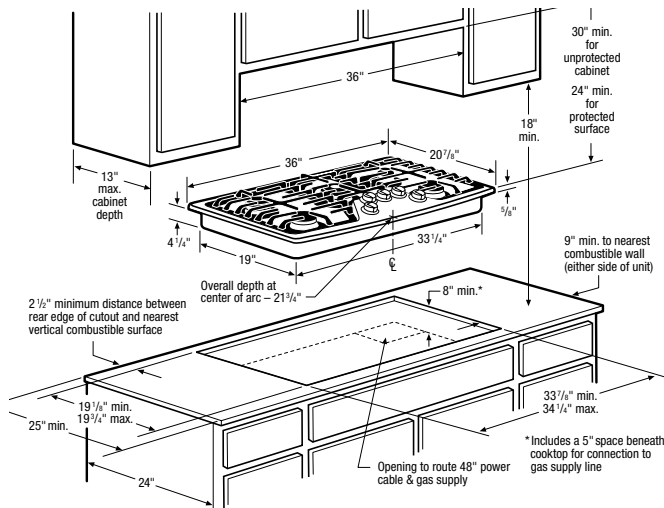
NOTE: Always consult local and/or national electric codes. Refer to Product Installation Guide for detailed installation instructions on the Web at [electroluxappliances.com](http://electroluxappliances.com).

<sup>1</sup> For use on adequately wired 120V, dedicated circuit having two-wires service with a separate ground wire. Appliance must be grounded for safe operation.

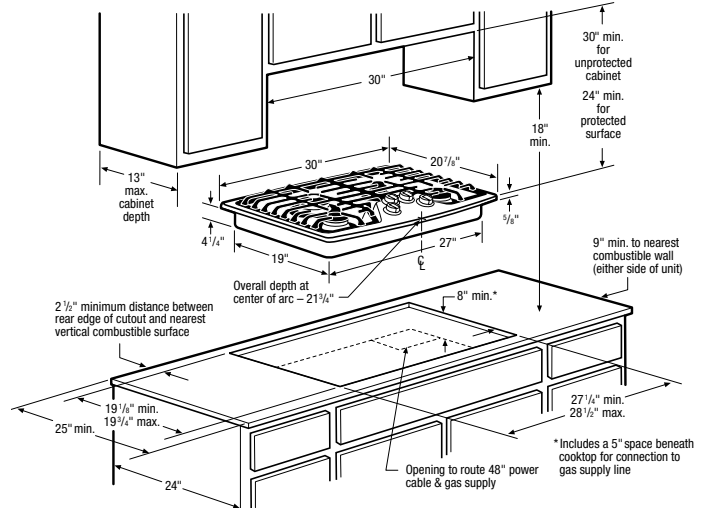
<sup>2</sup> Approved to be used over any Electrolux single wall oven.

Specifications subject to change.

36" Gas Drop-In Cooktop  
EW36GC55G W/B/S



30" Gas Drop-In Cooktop  
EW30GC55G W/B/S



# Electrolux Electric Cooktop Specifications

<b>ELECTRIC TOUCH-CONTROL COOKTOPS</b>	<b>EW36EC55G</b>	<b>EW30EC55G</b>
<b>Features</b>		
Slide-2-Set™ Electronic Touch Controls	Yes	Yes
Ceramic Smoothtop Glass Surface	Yes	Yes
6" to 9" to 12" Triple Expandable Element — 1,000W / 2,000W / 2,700W	1	1
6" to 9" Dual Expandable Element — 1,600W / 3,000W	1	1
5" to 7" Dual Expandable Element — 750W / 1,800W	1	
6" Electric Element — 1,200W	2	2
Hot-Surface Indicator Lights	Yes	Yes
Sealed Spill-Control Cooktop	Yes	Yes
<b>Accessories</b>		
Cleaning Sponge	Included	Included
<b>Color / UPC (0-57112)</b>		
Stainless Steel ( S )	09671-1	09670-4
White ( W )	09673-5	09668-1
Black ( B )	09672-8	09669-8
<b>Specifications</b>		
Overall Exterior Dimensions —		
Height (Extreme Bottom to Underside of Cooktop) (Extreme Bottom to Topside of Cooktop)	6-3/4" 7-1/2"	6-3/4" 7-1/2"
Width	36-3/4"	30-3/4"
Depth (to Front Corner) (to Center of Arc)	21-1/2" 21-3/4"	21-1/2" 21-3/4"
Power Supply Connection Location	Right Center Rear	Right Center Rear
Connected Load (kW Rating) @ 240 / 208 Volts	10.2 / 7.7	8.4 / 6.3
Amps @ 240 / 208 Volts	42.5 / 37	35 / 30.3
Minimum Circuit Required (Amps)	40	40
Electrical — Single phase four-wire cable, 120 / 240 Volts or 120 / 208 Volts, 60 Hz, fused on both sides of line with ground	Required	Required
Armored Electrical Cable	Included	Included
Approved for Single-Oven Combination Installation*	Yes	Yes
Product Weight	58 Lbs.	50 Lbs.
Shipping Weight	66 Lbs.	58 Lbs.

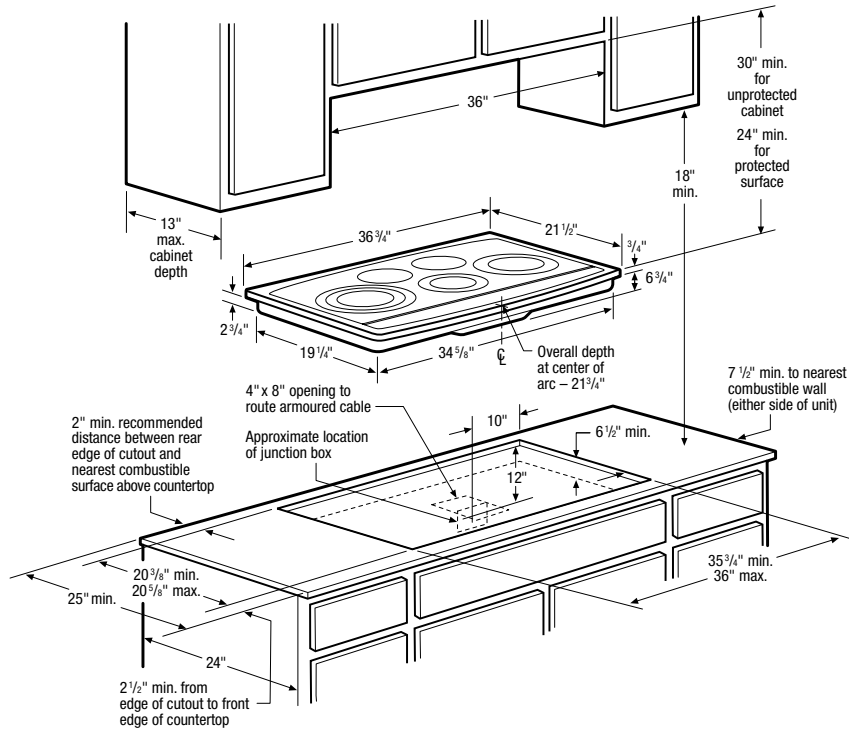
NOTE: Always consult local and/or national electric codes. Refer to Product Installation Guide for detailed installation instructions on the Web at [electroluxappliances.com](http://electroluxappliances.com).

\*Approved to be used over any Electrolux single wall oven.

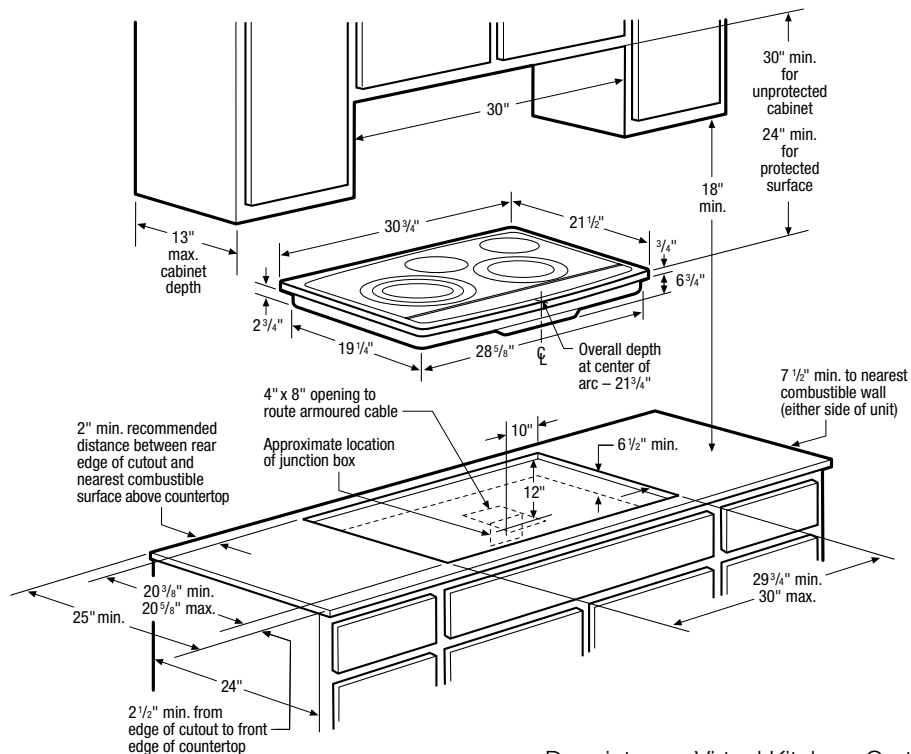
Specifications subject to change.

# Electrolux Electric Cooktop Specifications

36" Electric Cooktop  
EW36EC55G



30" Electric Cooktop  
EW30EC55G



Drop into our Virtual Kitchen. Go to [electroluxappliances.com](http://electroluxappliances.com).



*powerful performance — and stunning good looks.*

# Built-In Ranges



With convenient up-front controls and a flush-to-counter design, Electrolux built-in ranges offer powerful performance to match their stunning good looks.

Styled to fit seamlessly into your kitchen design, these built-in ranges feature the Electrolux signature soft-arc oven door and handle design, as well as touches that make cooking a breeze — like the Perfect Turkey™ button for moist, delicious poultry every time, and Wave-Touch™ controls that fade away after you make your selections, so you're left with an elegant display.

Our built-in ranges also feature:

- Luxury-Glide™ oven racks
- Luxury-Design™ lighting
- Luxury-Hold™ door
- Flex-2-Fit™ elements
- Min-2-Max™ burner

Available in a 30" model in electric, gas or dual-fuel configurations, Electrolux built-in ranges offer distinctive style and thoughtful features for the uncompromising cook.

Drop into our Virtual Kitchen. Go to [electroluxappliances.com](https://www.electroluxappliances.com).

## Wave-Touch™ Built-In Ranges



30" Electric  
Built-In Range with  
Wave-Touch™ Controls  
EW30ES65G



30" Gas  
Built-In Range with  
Wave-Touch™ Controls  
EW30GS65G



30" Dual-Fuel  
Built-In Range with  
Wave-Touch™ Controls  
EW30DS65G

Available in:



Stainless



White



Black

## works well with ...

Designed to quickly and quietly remove steam and cooking odors, an Electrolux ventilation hood can put the finishing touches on your well-planned kitchen.



## Innovative Features

Available on select models.  
See next page for complete features and specifications.



### Wave-Touch™ Controls

One simple touch and the control panel activates, showing the virtually endless cooking options. After you make your choices, all but the options selected will fade away, returning to an elegant display.



### Luxury-Glide™ Oven Racks

With a ball-bearing system, oven racks are so smooth they extend effortlessly.



### Luxury-Design™ Lighting

Our ramp-up designer halogen lighting is as beautiful as it is functional.



### Luxury-Hold™ Door

Our oven door stays put at whatever angle you place it.



### Sure-2-Fit™ Capacity

Coordinate an entire meal — our oven features 4.2 cu. ft. of cooking space with three adjustable baking racks.



### Perfect Set™ Controls

Allow precise control over temperatures so you can quickly raise or lower temperatures when cooking, and keep your finished dishes warm and at the perfect serving temperature.

## Even More Innovative Features

**Perfect Turkey™ Button.** Ensures moist, delicious poultry every time. Imagine stress-free holiday cooking.<sup>1</sup>

**Perfect Convection<sup>3</sup>.** Our convection technology features a third convection element for consistently even results, up to 30% faster cooking times and even more baking options.

**Flex-2-Fit™ Elements.** Elements adjust up to three sizes, so the element fits the cookware, not the other way around.<sup>2</sup>

**Min-2-Max™ Burner.** Designed with a dual-flame sealed burner, this cooktop offers the widest range of BTU performance in the industry for the utmost versatility — from a roaring 18,000-BTU boil to a gentle 450-BTU simmer.<sup>3</sup>

**Convection Conversion Warmer Drawer<sup>3</sup>**

**Cooking Modes.** Bake, Broil, Convection Bake, Convection Roast, Convection Broil, (Electric and Dual-Fuel Ranges), Keep Warm and Slow Cook.

**Baking Options.** Perfect Turkey™, Defrost, Dehydrate, Bread-Proof, 'My Favorites', Multi-Stage Cooking, Temperature Probe and Rapid Preheat.

**Grill/Griddle Plate Included** (Gas/Dual-Fuel Ranges)

**LP Gas Conversion Kit Included** (Gas/Dual-Fuel Ranges)

**Griddle** (Electric Range)<sup>3</sup>

**Hidden Bake Element for Easy Cleanup**

**Extra-Large Glass Window**

**Easy-to-Clean Cooktop Surface**

**Continuous Grates** (Gas/Dual-Fuel Ranges)

**Deep-Well Design** (Gas/Dual-Fuel Ranges)

**Signature Cobalt Blue Interior**

**Professional-Grade Control Knobs** (Gas/Dual-Fuel Ranges)

**Multiple Self-Clean Options with Automatic Door Lock**

**Delay Bake**

**'My Favorite' Setting**

A setting you can customize to meet your needs, so the option you want is available at the touch of a button.

**Signature Soft-Arc Oven Door and Handle Design**

**Platinum Star™ Warranty**

**Sabbath Mode** (Star-K™ Certified)

**Optional Accessories:**  
**Wok Ring and Simmer Plate** (Gas/Dual-Fuel Ranges)

<sup>1</sup> Select models only. <sup>3</sup> Gas models only.

<sup>2</sup> Electric models only.

# Electrolux Gas Built-In Range Specifications

## 30" GAS BUILT-IN RANGES

## EW30GS65G

Sabbath Mode (Star-K® Certified)	Yes
----------------------------------	-----

### Control Panel Features

Wave-Touch™ Electronic Oven Controls	Yes
Professional-Grade Burner Controls	Yes
Keypad Entry of Time & Temperature	Yes
Electronic Clock & Timer	Yes
Temperature Display	Yes
Automatic Oven (Delay, Cook & Off)	Yes

### Cooktop

Min-2-Max™ Dual-Flame Sealed Burner — 18,000 – 450 BTU	1
Sealed Power Burner — 14,000 BTU	1
Sealed Precision Burner — 9,500 BTU	1
Sealed Precision Burner — 5,000 BTU – 850 BTU	1
Linear-Flow Burner Valves	Yes
Seamless Cooktop	Yes
Continuous Grates with Deep-Well Top	3
Electric Pilotless Ignition	Yes

### Oven Cavity

Capacity	4.2 Cu. Ft.
Hidden Bake Burner	Yes
Bake Burner — 18,000 BTU	Yes
Broil Burner — 11,500 BTU	Yes
Convection Burner — 350 Watts	Yes
Cobalt Blue Interior	Yes
Self-Clean Options with Door Lock	3
Perfect Convection3™ Variable Two-Speed Fan	Yes
Cooking Modes — Bake, Broil, Convection Bake, Convection Roast, Keep Warm and Slow Cook	6
Cooking Options — Perfect Turkey®, Defrost, Dehydrate, Bread-Proof, 'My Favorites', Multi-Stage Cooking, Temperature Probe, Rapid Preheat, Delay Bake and Convection Convert	10
Luxury-Design™ Lighting with Dual 40W Halogen Bulbs	Yes
Luxury-Glide™ Racks	2
Conventional Racks	1
Convection Roasting Rack	Yes

### Additional Features

Luxury-Hold™ Oven Door	Yes
Extra-Large Glass Window	Yes
Warmer Drawer	Yes
Adjustable Leveling Legs	Yes

### Accessories

Porcelain Broiler Pan and Insert	Included
Grill / Griddle	Included
Wok Ring — 318254307	Optional
Simmer Plate — 318254206	Optional
LP Conversion Kit	Included
Rear-Filler Kit, Side-Panel Kit, Backguard Kit, Side-Trim Kit	Optional

### Color / UPC (0-57112)

Stainless Steel ( S )	09699-5
White ( W )	09696-4
Black ( B )	09695-7

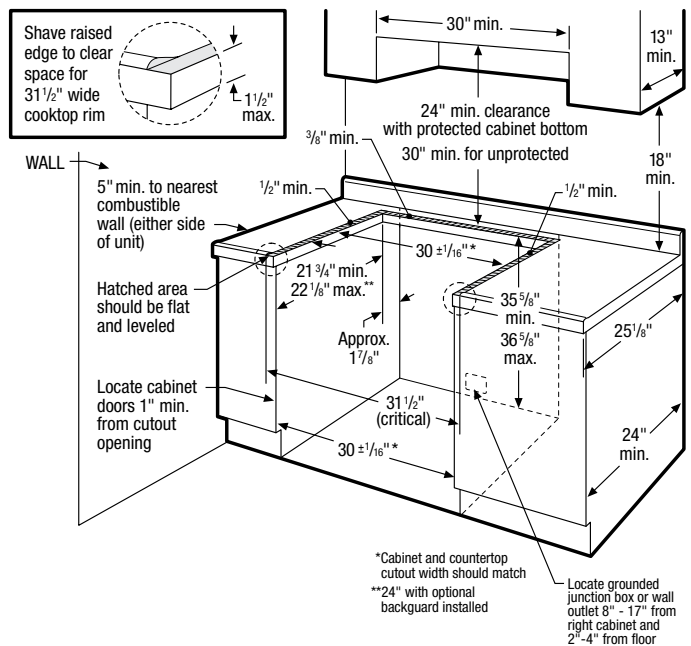
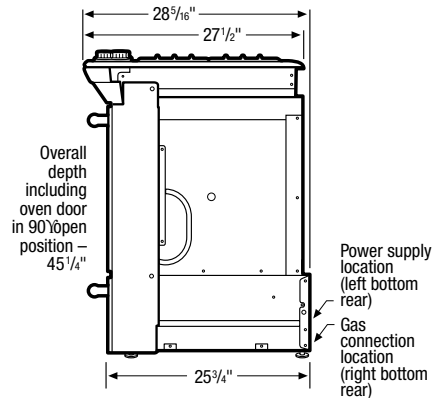
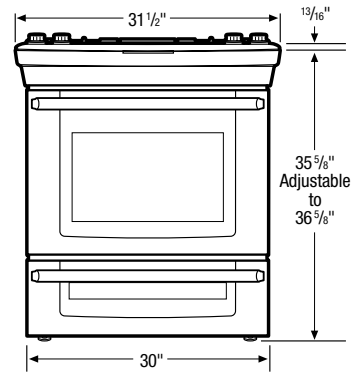
### Specifications

Oven Cavity Dimensions —	
Height	16-1/2"
Width	24-1/8"
Depth	18-1/32"
Overall Exterior Dimensions —	
Height (Adjustable)	36-7/16" — 37-7/16"
Width	31-1/2"
Depth (to Center of Arc) (with 90° Door Open)	28-5/16" 45-1/4"
Gas / Power Supply Connection Location	Right / Left Bottom Rear
Voltage Rating	120V / 60 Hz / 15A
Connected Load (KW Rating) @ 120 Volts*	1.2
Product Weight	250 Lbs.
Shipping Weight (Approximate)	270 Lbs.

NOTE: Always consult local and/or national electric codes. Refer to Product Installation Guide for detailed installation instructions on the Web at [electroluxappliances.com](http://electroluxappliances.com).

\*For use on adequately wired 120V, dedicated circuit having two-wires service with a separate ground wire. Appliance must be grounded for safe operation.

Specifications subject to change.





**30" ELECTRIC BUILT-IN RANGES**

**EW30ES65G**

Sabbath Mode (Star-K® Certified)	Yes
----------------------------------	-----

**Control Panel Features**

Wave-Touch® Electronic Oven Controls	Yes
Perfect Set™ Element Controls	Yes
Keypad Entry of Time & Temperature	Yes
Electronic Clock & Timer	Yes
Temperature Display	Yes
Automatic Oven (Delay, Cook & Off)	Yes

**Cooktop**

Flex-2-Fit™ Ceramic Glass Smoothtop	Yes
6" to 9" to 12" Triple Expandable Element — 1,000W / 2,000W / 2,700W	1
6" to 9" Dual Expandable Element — 1,600W / 3,000W	1
5" to 7" Dual Expandable Element — 750W / 1,800W	1
6" Electric Element — 1,200W	2
Hot-Surface Indicator Light	Yes
Surface Controls	Yes

**Oven Cavity**

Capacity	4.2 Cu. Ft.
Hidden Bake Element	Yes
Eight-Pass Hidden Bake Element — 2,500W	Yes
Eight-Pass Hidden Broil Element — 4,000W	Yes
Convection Element — 2,500W	Yes
Cobalt Blue Interior	Yes
Self-Clean Options with Door Lock	3
Perfect Convection® Variable Two-Speed Fan	Yes
Cooking Modes — Bake, Broil, Convection Bake, Convection Roast, Convection Broil, Keep Warm and Slow Cook	7
Cooking Options — Perfect Turkey®, Defrost, Dehydrate, Bread-Proof, 'My Favorites', Multi-Stage Cooking, Temperature Probe, Rapid Preheat, Delay Bake and Convection Convert	10
Luxury-Design™ Lighting with Dual 40W Halogen Bulbs	Yes
Luxury-Glide™ Racks	2
Conventional Racks	1
Convection Roasting Rack	Yes

**Additional Features**

Luxury-Hold™ Oven Door	Yes
Extra-Large Glass Window	Yes
Perfect Pair™ Lower Oven	Yes
Adjustable Leveling Legs	Yes

**Accessories**

Porcelain Broiler Pan and Insert	Included
Cleaning Sponge	Included
Rear-Filler Kit, Side-Panel Kit, Backguard Kit, Side-Trim Kit	Optional

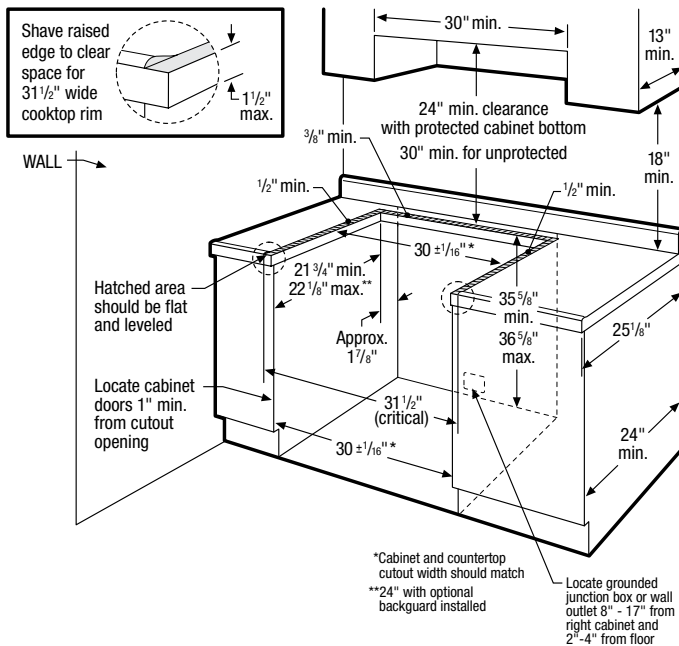
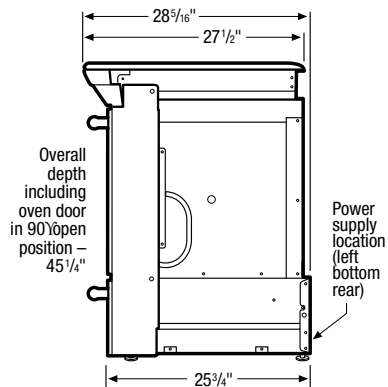
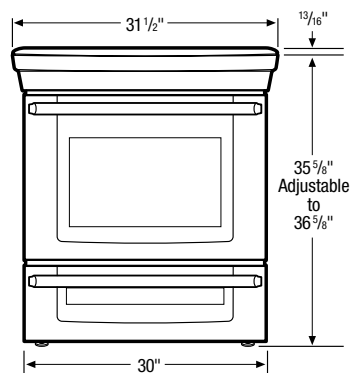
**Color / UPC (0-57112)**

Stainless Steel ( S )	09700-8
White ( W )	09860-9
Black ( B )	09694-0

**Specifications**

Oven Cavity Dimensions —	
Height	16-1/2"
Width	24-1/8"
Depth	18-1/32"
Overall Exterior Dimensions —	
Height (Adjustable)	36-7/16" – 37-7/16"
Width	31-1/2"
Depth (to Center of Arc) (with 90° Door Open)	28-5/16" 45-1/4"
Power Supply Connection Location	Left Bottom Rear
Connected Load (kW Rating) @ 240 / 208 Volts	14.5 / 10.9
Amps @ 240 / 208 Volts	60.5 / 52.4
Minimum Circuit Required (Amps)	50
Product Weight	238 Lbs.
Shipping Weight (Approximate)	258 Lbs.

NOTE: Always consult local and/or national electric codes. Refer to Product Installation Guide for detailed installation instructions on the Web at [electroluxappliances.com](http://electroluxappliances.com). Specifications subject to change.



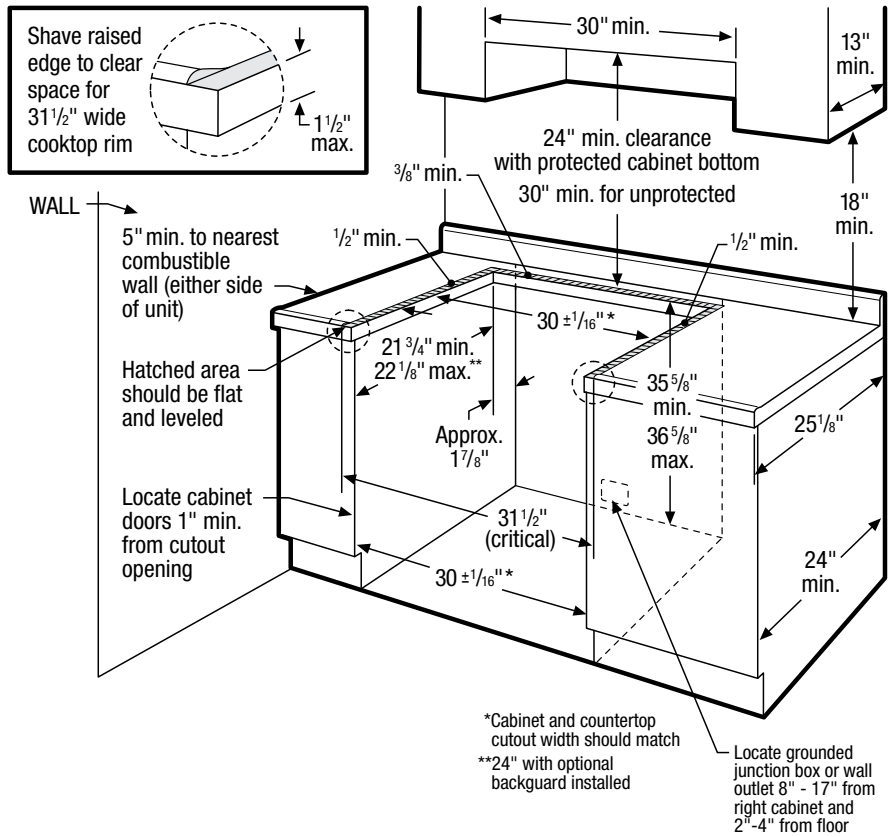
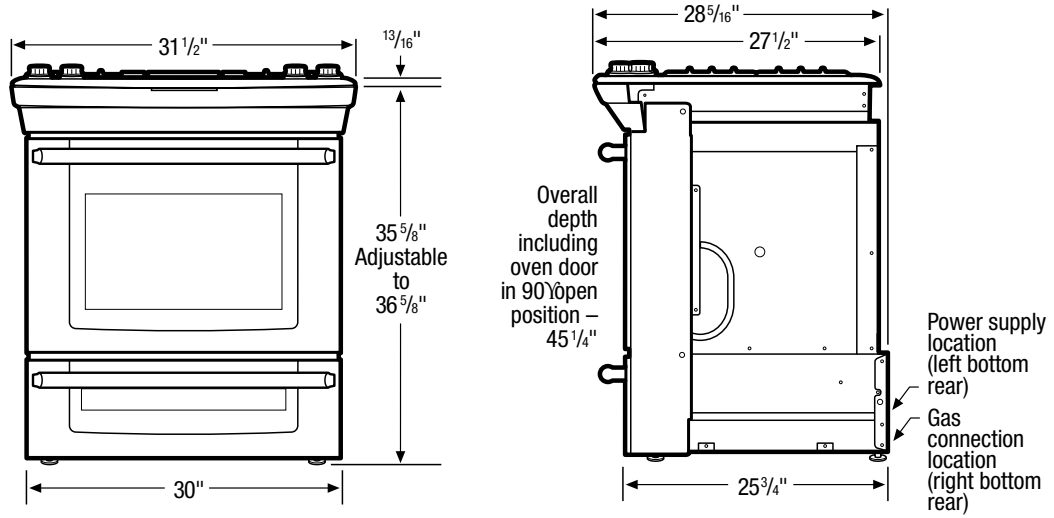
Built-In Ranges

# Electrolux Dual-Fuel Built-In Range Specifications

<b>30" DUAL-FUEL BUILT-IN RANGES</b>	<b>EW30DS65G</b>
Sabbath Mode (Star-K® Certified)	Yes
<b>Control Panel Features</b>	
Wave-Touch™ Electronic Oven Controls	Yes
Professional-Grade Burner Controls	Yes
Keypad Entry of Time & Temperature	Yes
Electronic Clock & Timer	Yes
Temperature Display	Yes
Automatic Oven (Delay, Cook & Off)	Yes
<b>Cooktop</b>	
Min-2-Max™ Dual-Flame Sealed Burner — 18,000 – 450 BTU	1
Sealed Power Burner — 14,000 BTU	1
Sealed Precision Burner — 9,500 BTU	1
Sealed Precision Burner — 5,000 BTU – 850 BTU	1
Linear Flow Burner Valves	Yes
Seamless Cooktop	Yes
Continuous Grates with Deep-Well Top	3
Electronic Pilotless Ignition	Yes
<b>Oven Cavity</b>	
Capacity	4.2 Cu. Ft.
Hidden Bake Element	Yes
Eight-Pass Hidden Bake Element — 2,500W	Yes
Eight-Pass Hidden Broil Element — 4,000W	Yes
Convection Element — 2,500W	Yes
Cobalt Blue Interior	Yes
Self-Clean Options with Door Lock	3
Perfect Convect3™ Variable Two-Speed Fan	Yes
Cooking Modes — Bake, Broil, Convection Bake, Convection Roast, Convection Broil, Keep Warm and Slow Cook	7
Cooking Options — Perfect Turkey®, Defrost, Dehydrate, Bread-Proof, 'My Favorites', Multi-Stage Cooking, Temperature Probe, Rapid Preheat, Delay Bake and Convection Convert	10
Luxury-Design™ Lighting with Dual 40W Halogen Bulbs	Yes
Luxury-Glide™ Racks	2
Conventional Racks	1
Convection Roasting Rack	Yes
<b>Additional Features</b>	
Luxury-Hold™ Oven Door	Yes
Extra-Large Glass Window	Yes
Perfect Pair™ Lower Oven	Yes
Adjustable Leveling Legs	Yes
<b>Accessories</b>	
Porcelain Broiler Pan and Insert	Included
Grill / Griddle	Included
Wok Ring — 318254307	Optional
Simmer Plate — 318254206	Optional
LP Conversion Kit	Included
Rear-Filler Kit, Side-Panel Kit, Backguard Kit, Side-Trim Kit	Optional
<b>Color / UPC (0-57112)</b>	
Stainless Steel ( S )	09701-5
White ( W )	09698-8
Black ( B )	09697-1
<b>Specifications</b>	
Oven Cavity Dimensions —	
Height	16-1/2"
Width	24-1/8"
Depth	18-1/32"
Overall Exterior Dimensions —	
Height (Adjustable)	36-7/16" – 37-7/16"
Width	31-1/2"
Depth (to Center of Arc) (with 90° Door Open)	28-5/16" 45-1/4"
Gas / Power Supply Connection Location	Right / Left Bottom Rear
Connected Load (kW Rating) @ 240 / 208 Volts	5.0 / 3.7
Amps @ 240 / 208 Volts	21.0 / 18.0
Minimum Circuit Required (Amps)	30
Product Weight	258 Lbs.
Shipping Weight (Approximate)	278 Lbs.

NOTE: Always consult local and/or national electric codes. Refer to Product Installation Guide for detailed installation instructions on the Web at [electroluxappliances.com](http://electroluxappliances.com).  
Specifications subject to change.

# Electrolux Dual-Fuel Built-In Range Specifications



Built-In Ranges



*signature style, powerful performance.*

# Freestanding Ranges



A recipe for success in any kitchen, Electrolux freestanding ranges serve up a variety of cooking options in a stylishly designed range that looks good anywhere. From the oven to the cooktop, our freestanding ranges are full of thoughtful features that help serious multi-taskers master their favorite dishes.

Available in electric, gas and dual-fuel configurations, Electrolux freestanding ranges feature innovations including:

- Wave-Touch™ controls
- Flex-2-Fit™ elements
- Min-2-Max™ burners
- Perfect Pair™ ovens
- Luxury-Glide™ oven racks

With exceptional performance, finished sides and an integrated backsplash, Electrolux freestanding ranges are perfect for replacement, remodel or new-construction installations.

Drop into our Virtual Kitchen. Go to [electroluxappliances.com](http://electroluxappliances.com).

## Freestanding Ranges



30" Electric  
Freestanding Range with  
Wave-Touch™ Controls  
EW30EF65G



30" Gas  
Freestanding Range with  
Wave-Touch™ Controls  
EW30GF65G



30" Dual-Fuel  
Freestanding Range with  
Wave-Touch™ Controls  
EW30DF65G



30" Electric  
Freestanding Range  
with IQ-Touch™ Controls  
EI30EF55G



30" Gas  
Freestanding Range  
with IQ-Touch™ Controls  
EI30GF55G

Available in:



Stainless



White



Black

Drop into our Virtual Kitchen. Go to [electroluxappliances.com](http://electroluxappliances.com).



works well with ...

Electrolux over-the-range microwaves  
are a versatile, space-saving complement  
to any kitchen.

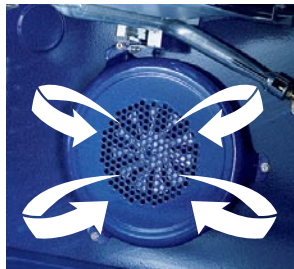
## Sure-2-Fit™ Capacity

Coordinate an entire meal — our oven features up to 5.7 cu. ft. of cooking space with three adjustable baking racks.



## Wave-Touch™ Controls

One simple touch and the control panel activates, showing the virtually endless cooking options. After you make your choices, all but the options selected will fade away, returning to an elegant display.



## Perfect Convection 3™

Our convection technology features a third convection element for consistently even results, up to 30% faster cooking times and even more baking options.



## Innovative Features

Available on select models. See next page for complete features and specifications.



## Luxury-Glide™ Oven Racks

With a ball-bearing system, oven racks are so smooth they extend effortlessly.



## Flex-2-Fit™ Elements

Elements adjust up to three sizes, so the element fits the cookware, not the other way around.



## Min-2-Max™ Burner

Designed with a dual-flame sealed burner, this cooktop offers the widest range of BTU performance in the industry for the utmost versatility — from a roaring 18,000-BTU boil to a gentle 450-BTU simmer.\*



## Perfect Pair™ Oven

Our ranges feature a large main oven and a second oven for the utmost cooking capacity. Use both simultaneously to cook two different items at two different temperatures.\*

## Even More Innovative Features

**Perfect Set™ Controls.** 26 digital preset touch settings make adjusting heat up or down a snap. (Electric Ranges)

**Luxury-Design™ Lighting.** Our ramp-up designer halogen lighting is as beautiful as it is functional.

**Luxury-Hold™ Door.** Our oven door stays put at whatever angle you place it.

**Perfect Turkey™ Button.** Ensures moist, delicious poultry every time. Imagine stress-free holiday cooking.\*

**Glide-2-Set™ Control Panel.** Heat is controlled by the touch of a finger, resulting in a clean look uncluttered by knobs or dials. These controls are intuitive, precise and very stylish. (IQ-Touch™ Ranges)

### Convection Conversion

**Warmer Drawer** (IQ-Touch™ Ranges)

**Griddle Plate Included** (Gas/Dual-Fuel Ranges)

**Cooking Modes.** Bake, Broil, Convection

Bake, Convection Roast, Convection Broil (Electric and Dual-Fuel Ranges), Keep Warm and Slow Cook.

**Baking Options.** Perfect Turkey™, Defrost, Dehydrate, Bread-Proofing, "My Favorites", Multi-Stage Cooking, Temperature Probe and Rapid Preheat.

**LP Gas Conversion Kit Included** (Gas IQ-Touch™ Range)

**Hidden Bake Element for Easy Cleanup**

**Extra-Large Glass Window**

**Easy-to-Clean Cooktop Surface**

**Continuous Grates.** Designed for cooking multiple dishes at varying temperatures on a single cooktop. These grates allow easy movement of even the heaviest pots and pans from burner to burner — without lifting. (Gas/Dual-Fuel Ranges)

**Deep-Well Design.** Will keep spills contained for easy cleanup and lowers the

cooking surface to countertop-level, which makes moving oversized pots and pans onto and off of the cooking surface much easier. (Gas/Dual-Fuel Ranges)

**'My Favorite' Setting.** A setting you can customize to meet your needs, so the option you want is available at the touch of a button.

**Signature Cobalt Blue Interior Professional-Grade Control Knobs** (Gas/Dual-Fuel Ranges)

**Multiple Self-Clean Options with Automatic Door Lock Signature Soft-Arc Oven Door and Handle Design**

**Platinum Star™ Warranty**

**Sabbath Mode** (Star-K™ Certified)

**Optional Accessories Available:**

**Wok Ring and Simmer Plate** (Gas/Dual-Fuel Ranges)

\*Select models only.

# Electrolux Gas Freestanding Range Specifications

## 30" GAS FREESTANDING RANGES

	EW30GF65G	EI30GF55G
Sabbath Mode (Star-K® Certified)	Yes	Yes

### Control Panel Features

Wave-Touch™ Electronic Oven Controls	Yes	
IQ-Touch™ Electronic Oven Controls		Yes
Professional-Grade Burner Controls	Yes	Yes
Glass Front Display	Yes	Yes
Electronic Clock & Timer	Yes	Yes
Temperature Display	Yes	Yes
Automatic Oven (Delay, Cook & Off)	Yes	Yes

### Cooktop

Min-2-Max™ Dual-Flame Sealed Burner — 18,000 – 450 BTU	1	
Sealed Power Burner — 16,000 BTU		1
Sealed Power Burner — 14,000 BTU	1	1
Sealed Precision Burner — 9,500 BTU	2	2
Sealed Precision Burner — 5,000 – 850 BTU	1	
Sealed Precision Burner — 5,000 – 500 BTU		1
Linear-Flow Burner Valves	Yes	Yes
Seamless Cooktop	Yes	Yes
Continuous Grates with Deep-Well Top	3	3
Electric Pilotless Ignition	Yes	Yes

### Oven Cavity

Capacity	5.1 Cu. Ft.	5.1 Cu. Ft.
Hidden Bake Burner	Yes	Yes
Eight-Pass Hidden Bake Burner — 18,000 BTU	Yes	Yes
Eight-Pass Hidden Broil Burner — 13,500 BTU	Yes	Yes
Convection Burner	200W	350W
Cobalt Blue Interior	Yes	Yes
Self-Clean Options with Door Lock	3	3
Perfect Convection® with Variable Two-Speed Fan	Yes	Yes
Auto-Set™ Convection Convert	Yes	Yes
Cooking Modes — Bake, Broil, Convection Bake, Convection Roast, Keep Warm and Slow Cook	6	6
Cooking Options — Dehydrate, Bread-Proof, 'My Favorites', Rapid Preheat, Delay Bake and Convection Convert	Yes	Yes
Additional Cooking Options — Perfect Turkey®, Defrost, Dehydrate, Multi-Stage Cooking and Temperature Probe	Yes	No
Luxury-Design™ Lighting with Dual 40W Halogen Bulbs	Yes	Yes
Luxury-Glide™ Racks	2	1
Conventional Racks	1	2
Convection Roasting Rack	Yes	Yes

### Additional Features

Signature Soft-Arc Oven Door and Handle Design	Yes	Yes
Luxury-Hold™ Oven Door	Yes	Yes
Extra-Large Glass Window	Yes	Yes
Perfect Pair™ Lower Oven	Yes	
Warmer Drawer		Yes
Perfect Set™ Controls (Warmer Drawer)		Yes
Fully Extendable Drawer Glides	Yes	Yes
Adjustable Leveling Legs	Yes	Yes

### Accessories

Porcelain Broiler Pan and Insert	Included	Included
Grill / Griddle	Included	Included
LP Conversion Kit GRLP2 – 316423716		Included

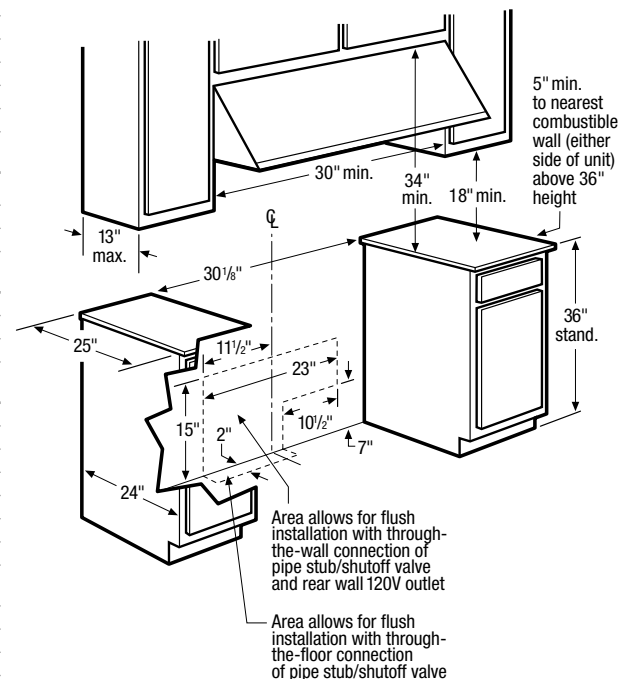
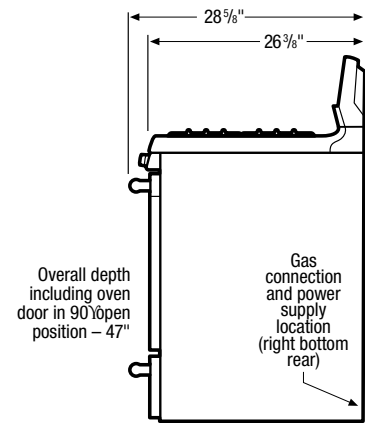
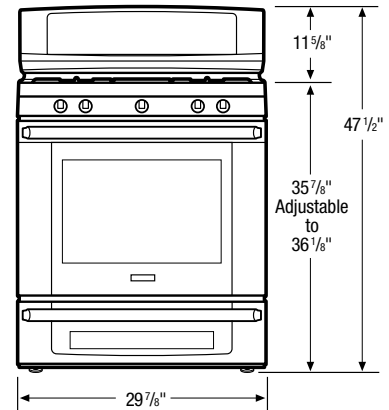
### Color / UPC (0-12505)

White ( W )	54415-6	54418-7
Black ( B )	54416-3	54419-4
Stainless Steel ( S )	54417-0	54420-0

### Specifications

Oven Cavity Dimensions —		
Height	18-5/8"	18-5/8"
Width	24-5/16"	24-5/16"
Depth	19-1/2"	19-1/2"
Overall Exterior Dimensions —		
Height	47-1/2"	47-1/2"
Width	29-7/8"	29-7/8"
Depth (to Center of Arc) (with 90° Door Open)	26-27/32" 47"	26-27/32" 47"
Gas / Power Supply Connection Location	Right Bottom Rear	Right Bottom Rear
Voltage Rating	120V / 60 Hz / 15A	120V / 60 Hz / 15A
Product Weight	260 Lbs.	260 Lbs.
Shipping Weight (Approximate)	300 Lbs.	300 Lbs.

NOTE: Always consult local and/or national electric codes. Refer to Product Installation Guide for detailed installation instructions on the Web at [electroluxappliances.com](http://electroluxappliances.com). LP only models available. See Website for details.  
Specifications subject to change.





# Electrolux Electric Freestanding Range Specifications

## 30" ELECTRIC FREESTANDING RANGES

**EW30EF65G**

**EI30EF55G**

### Control Panel Features

Wave-Touch™ Electronic Oven Controls	Yes	
IQ-Touch™ Electronic Oven Controls		Yes
Perfect Set™ Element Controls	Yes	
Glide-2-Set™ Element Controls		Yes
Glass Front Display	Yes	Yes
Electronic Clock and Timer	Yes	Yes
Temperature Display	Yes	Yes
Automatic Oven (Delay, Cook and Off)	Yes	Yes

### Cooktop

Flex-2-Fit™ Ceramic Glass Smoothtop	Yes	Yes
6" to 9" to 12" Triple Expandable Element — 1,000W / 2,000W / 2,700W	1	
9" to 12" Dual Expandable Element — 1,700W / 2,700W		1
6" to 9" Dual Expandable Element — 1,600W / 3,000W	1	1
5" to 7" Dual Expandable Element — 750W / 1,800W	1	1
6" Radiant Element — 1,200W	1	1
Warning Zone — 100W	Yes	Yes

### Oven Cavity

Capacity	5.7 Cu. Ft.	5.7 Cu. Ft.
Hidden Bake Element	Yes	Yes
Eight-Pass Hidden Bake Element	3,000W	3,000W
Eight-Pass Hidden Broil Element	4,000W	4,000W
Convection Element	350W	350W
Cobalt Blue Interior	Yes	Yes
Self-Clean Options with Door Lock	3	3
Perfect Convect3™ Variable Two-Speed Fan	Yes	Yes
Auto-Set™ Convection Convert	Yes	Yes
Cooking Modes — Bake, Broil, Convection Bake, Convection Roast, Convection Broil, Keep Warm and Slow Cook	7	7
Cooking Options — Dehydrate, Bread-Proof, 'My Favorites', Rapid Preheat, Delay Bake and Convection Convert	Yes	Yes
Additional Cooking Options — Perfect Turkey™, Defrost, Dehydrate, Multi-Stage Cooking and Temperature Probe	Yes	No
Eight-Pass Bake and Broil	Yes	Yes
Luxury-Design™ Lighting with Dual 40W Halogen Bulbs	Yes	Yes
Luxury-Glide™ Racks	2	1
Conventional Racks	1	2
Convection Roasting Rack	Yes	Yes

### Additional Features

Signature Soft-Arc Oven Door and Handle Design	Yes	Yes
Luxury-Hold™ Oven Door	Yes	Yes
Extra-Large Glass Window	Yes	Yes
Perfect Pair™ Lower Oven	Yes	
Warmer Drawer		Yes
Perfect Set™ Controls (Warmer Drawer)		Yes
Fully Extendable Drawer Glides	Yes	Yes
Adjustable Leveling Legs	Yes	Yes

### Accessories

Porcelain Broiler Pan and Insert	Included	Included
----------------------------------	----------	----------

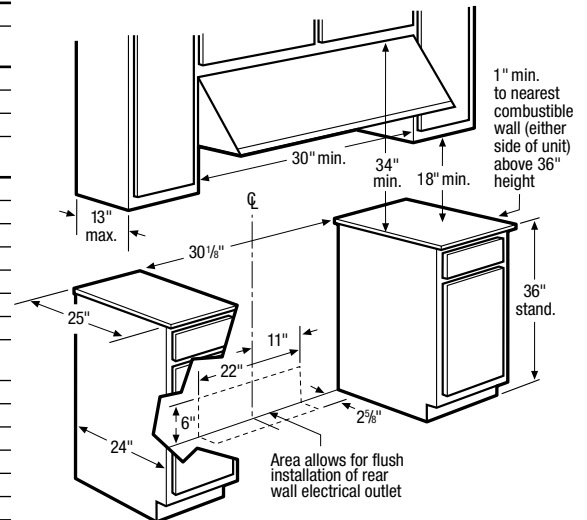
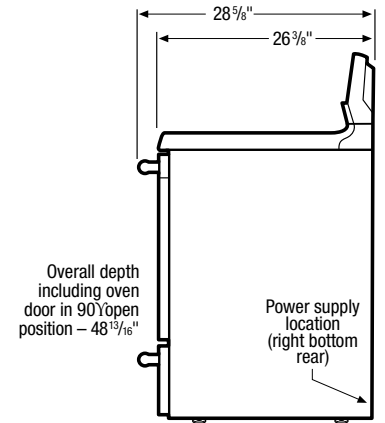
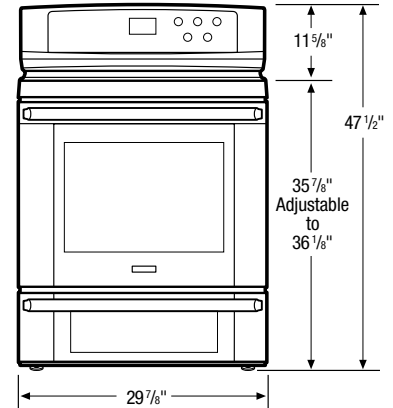
### Color / UPC (0-12505)

White ( W )	54424-8	54421-7
Black ( B )	54425-5	54422-4
Stainless Steel ( S )	54426-2	54423-1

### Specifications

Oven Cavity Dimensions —		
Height	21-3/8"	21-3/8"
Width	24-1/4"	24-1/4"
Depth	19-1/8"	19-1/8"
Overall Exterior Dimensions —		
Height	47-1/2"	47-1/2"
Width	29-7/8"	29-7/8"
Depth (to Center of Arc) (with 90° Door Open)	26-27/32" 48-13/16"	26-27/32" 48-13/16"
Power Supply Connection Location	Right Bottom Rear	Right Bottom Rear
Connected Load (kW Rating) 240 / 208 Volts	17.0 / 12.5	15.0 / 11.5
Voltage Rating	240V / 60Hz / 50A	240V / 60Hz / 50A
Minimum Circuit Required (Amps)	50	50
Product Weight	240 Lbs.	240 Lbs.
Shipping Weight (Approximate)	285 Lbs.	285 Lbs.
Sabbath Mode (Star-K™ Certified)	Yes	Yes

NOTE: Always consult local and/or national electric codes. Refer to Product Installation Guide for detailed installation instructions on the Web at [electroluxappliances.com](http://electroluxappliances.com). Specifications subject to change.



Note: All dimensions for electrical outlet location are maximum

Freestanding Ranges

# Electrolux Dual-Fuel Freestanding Range Specifications

## 30" DUAL-FUEL FREESTANDING RANGES

## EW30DF65G

### Control Panel Features

Wave-Touch™ Electronic Oven Controls	Yes
Professional-Grade Burner Controls	Yes
Glass Front Display	Yes
Electronic Clock and Timer	Yes
Temperature Display	Yes
Automatic Oven (Delay, Cook and Off)	Yes

### Cooktop

Min-2-Max™ Dual-Ring Sealed Burner — 18,000 – 450 BTU	1
Sealed Power Burner — 14,000 BTU	1
Sealed Precision Burner — 9,500 BTU	2
Sealed Precision Burner — 5,000 – 850 BTU	1
Linear-Flow Burner Valves	Yes
Seamless Cooktop	Yes
Continuous Grates with Deep-Well Top	3
Electric Pilotless Ignition	Yes

### Oven Cavity

Capacity	5.5 Cu. Ft.
Hidden Bake Element	Yes
Eight-Pass Hidden Bake Element	3,000W
Eight-Pass Hidden Broil Element	4,000W
Convection Element	2,500W
Cobalt Blue Interior	Yes
Self-Clean Options with Door Lock	Yes
Perfect Convect <sup>3</sup> Variable Two-Speed Fan	Yes
Auto-Set™ Convection Convert	Yes
Cooking Modes — Bake, Broil, Convection Bake, Convection Roast, Convection Broil, Keep Warm and Slow Cook	7
Cooking Options — Perfect Turkey™, Defrost, Dehydrate, Bread-Proof, 'My Favorites', Multi-Stage Cooking, TempSense™ Probe and Rapid Preheat	10
Eight-Pass Bake and Broil Element	Yes
Luxury-Design™ Lighting with Dual 40W Halogen Bulbs	Yes
Luxury-Glide™ Racks	2
Conventional Racks	1
Convection Roasting Rack	Yes

### Additional Features

Signature Soft-Arc Oven Door and Handle Design	Yes
Luxury-Hold™ Oven Door	Yes
Extra-Large Glass Window	Yes
Perfect Pair™ Lower Oven	Yes
Fully Extendable Drawer Glides	Yes
Adjustable Leveling Legs	Yes

### Accessories

Porcelain Broiler Pan and Insert	Included
Grill / Griddle	Included

### Color / UPC (0-57112)

White ( W )	54427-9
Black ( B )	54428-6
Stainless Steel ( S )	54429-3

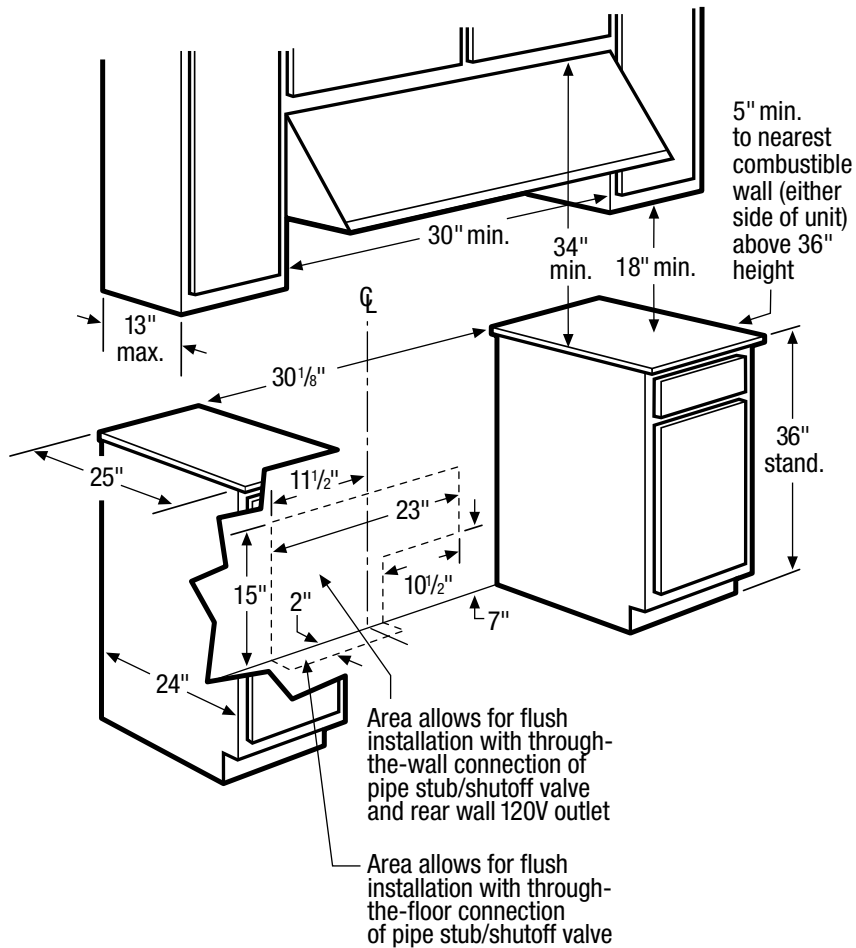
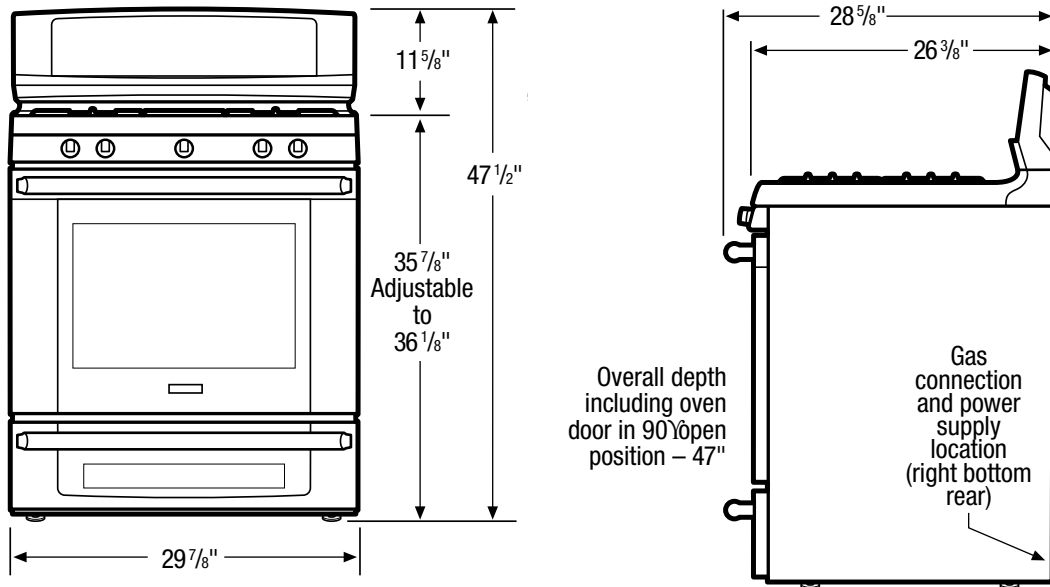
### Specifications

Oven Cavity Dimensions —	
Height	19-7/8"
Width	24-13/32"
Depth	19-1/2"
Overall Exterior Dimensions —	
Height	47-1/2"
Width	29-7/8"
Depth (to Center of Arc) (with 90° Door Open)	26-27/32" 47"
Gas / Power Supply Connection Location	Right Bottom Rear
Voltage Rating	240V / 60Hz / 50A
Product Weight	260 Lbs.
Shipping Weight (Approximate)	300 Lbs.
Sabbath Mode (Star-K® Certified)	Yes

NOTE: Always consult local and/or national electric codes. Refer to Product Installation Guide for detailed installation instructions on the Website at [electroluxappliances.com](http://electroluxappliances.com).

Specifications subject to change.

Electrolux Dual-Fuel Freestanding Range Specifications



Freestanding Ranges



# Over-the-Range Microwaves

*fast, feature-filled convenience.*

- ○ ○ Can you imagine a kitchen without a microwave oven? Electrolux over-the-range microwave ovens offer an outstanding array of features and performance. Designed to complement your other Electrolux appliances, they are a versatile, space-saving addition to any kitchen.

## Microwaves



30" Over-the-Range  
Microwave  
EI30MH55G S/W/B/Z



Available in:



Stainless



White



Black



White-with-Black Controls



### Cook-2-Perfection™ Technology

Evenly distributes microwave cooking energy throughout the oven's interior for even cooking. A 13" x 9" pan — with handles — can be evenly heated.



### Three-Speed Fan

Over-the-range microwave doubles as a hood and is capable of moving up to 300 cubic feet of air per minute. Can be mounted over high-performance cooktops with up to 56,000 BTU of total heat output.



### Extra-Large Capacity

Nearly any dish will fit in our 2.1-cubic-foot roomy microwaves.

## Innovative Features

See page 53 for complete features and specifications.



### Two-Position Adjustable Metal Rack

Allows you to cook more than one dish at the same time.



### 15 Sensor Touch Options

The microwave automatically adjusts the amount of time needed to complete the cooking.

#### Even More Innovative Features

**Two-Position Work-Area Light.** Ideal for illuminating the cooktop; also can serve as a gentle kitchen night-light.

**Six Shortcuts.** Popcorn, Reheat, Soften, Melt, Warm and Defrost.

**Signature Blue LED Displays**

**Easy-to-Clean Interiors**

**Control Lockout**

**15 Auto Cook Options**

**Signature Soft-Arc Door**

**Platinum Star™ Warranty**



works well with ...

With convenient up-front controls and a flush-to-counter design, an Electrolux built-in range will enhance your kitchen with powerful performance and stunning good looks.



# Built-In Microwaves

*powerful performance, space-saving design.*



Electrolux built-in microwave ovens are designed to function with style and look beautiful. Microwaves are a must-have for quick, convenient cooking. They are a versatile, space-saving complement to any kitchen.

## Microwaves



30" Built-In Microwave  
EI30MO45G S



27" Built-In Microwave  
EI27MO45G S



Available in:



Stainless



### High-Performance Power

With 11 power levels and 1,100 watts, our microwaves are capable of handling even the biggest cooking jobs.



### Sure-2-Fit™ Capacity

Nearly any dish will fit in our 2.0-cubic-foot roomy microwaves.



### Multi-stage Cooking

Four cooking options ensure any dish requiring multiple cooking stages is optimally prepared. Easily defrost and cook with simple commands.

## Innovative Features

Available on select models. See page 54 for complete features and specifications.



### Automatic Cooking Functions

Features 11 Auto Cook options, 3 Auto Reheat options and 6 Auto Defrost options for amazing cooking flexibility. The 30-minute Keep Warm function maintains dishes at optimal serving temperatures.



### 10 Sensor Touch Options

Automatically adjust the amount of time needed to complete the cooking.

#### Even More Innovative Features

**Six Shortcuts.** Popcorn, Reheat, Soften, Melt, Warm and Defrost.

**Signature Blue LED Displays**

**Easy-to-Clean Interiors**

**Control Lockout**

**11 Auto Cook Options**

**Interactive Word Prompts**

**Hidden Vent Design**

**Signature Soft-Arc Door**

**Platinum Star™ Warranty**



works well with ...

Perfect for the multi-tasker, an Electrolux single wall oven is designed with innovative features like Luxury-Glide™ oven racks and Wave-Touch™ controls that make cooking an amazing meal easier than ever.

Microwaves

# Electrolux Over-the-Range Microwave Specifications

## 30" OVER-THE-RANGE MICROWAVES

## EI30MH55G

Oven Cavity	2.1 Cu. Ft.
Watts	1,200 W
Oven Interior	White
Interior Light	Yes
Two-Position Work-Area Light	Yes
Cook-2-Perfection™ Virtual Turntable	Yes

### Panel Features

IQ-Touch™ Electronic Controls	Yes
Glass Front Display	Yes
Electronic Clock and Timer	Yes
Power Levels	11
Touch-Pad Controls	28
Auto Start	Yes
Auto / Time Defrost Options	5 / 1
Auto-Cook Options – Breakfast (5), Lunch (5), Dinner (5)	15
Sensor Touch Options – Cook (9), Popcorn (2), Reheat (4)	15
Time Cooking (Shortcuts) Melt, Soften, Warm	Yes
Add-a-Minute	Yes
Custom Help Options	4
Panel Lock	Yes
Demo Mode	Yes
Adjustable Sound Level For Timers / Reminders	Yes

### Ventilation System

Hood Fan	Yes
Ducted / Ductless Vent Installation	Yes
Exhaust Fan (300 CFM)	3-Speed
Charcoal / Grease Filters (Ductless Installation)	1 / 2

### Accessories

Removable Metal Rack	Included
36" Filler Kit	
Stainless Steel – 5304463784	Optional
White – 5304463782	Optional
Black – 5304463783	Optional

### Color / UPC (0-12505)

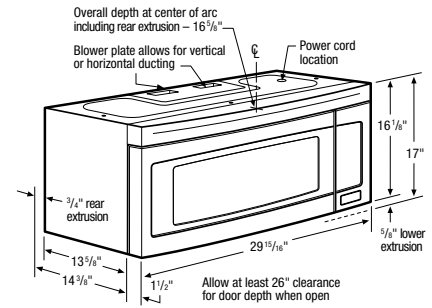
Stainless Steel ( S )	55862-7
White ( W )	55860-3
Black ( B )	55861-0
Black on White ( Z )	55939-6

### Specifications

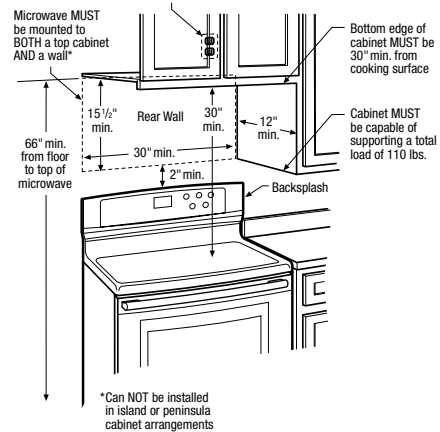
Oven Cavity Dimensions –	
Height	10-9/16"
Width	22-9/16"
Depth	15"
Overall Exterior Dimensions –	
Height (including 5/8" Lower Extrusion)	17"
Width	29-15/16"
Depth (to Center of Arc – Including 3/4" Rear Extrusion)	16-5/8"
Power Supply Connection Location	
Voltage Rating	120V / 15A / 60 Hz / AC only
Amps at 120V	12
Microwave – Watts at 120 Volt Input	1,600 W
Frequency (Mhz)	2450
Product Weight (Approximate)	50 Lbs.
Shipping Weight (Approximate)	62 Lbs.

NOTE: Always consult local and/or national electric codes. Refer to Product Installation Guide for detailed installation instructions on the Website at [electroluxappliances.com](http://electroluxappliances.com). Specifications subject to change.

## 30" Over-the-Range Microwave EI30MH55G



Locate 120V/60Hz grounded outlet inside upper cabinet





# Electrolux Built-In Microwave Specifications

## 30" BUILT-IN MICROWAVES

	EI30MO45G	EI27MO45G
Oven Cavity	2.0 Cu. Ft.	2.0 Cu. Ft.
Watts	1,100W	1,100W
Oven Interior	White	White
Interior Krypton Light	Yes	Yes
16" Glass Turntable	Yes	Yes

### Panel Features

	EI30MO45G	EI27MO45G
IQ-Touch® Electronic Controls	Yes	Yes
Front Display with Blue LED	Yes	Yes
Electronic Clock and Timer	Yes	Yes
Humidity Sensor	Yes	Yes
Power Levels	11	11
Touch-Pad Controls	33	33
Auto Start	Yes	Yes
Auto Defrost Options	6 / 6	6
Auto Cook Options — Pizza (1), Snacks (3), Kid's Meals (3), Soften/Melt (4)	11	11
Auto Reheat Options — Bread/Muffins (2), Pasta/Casserole (1)	3	3
Beverage (0.5-2.0 Cups)	Yes	Yes
Sensor Touch Options — Cook (5), Reheat, Popcorn, Baked Potato, Frozen Vegetables, Fresh Vegetables	10	10
Stage Cooking Options	4	4
Shortcut Options	6	6
Add 30 Seconds	Yes	Yes
Keep Warm	Yes	Yes
Custom Help Options	Yes	Yes
Panel Lock	Yes	Yes
Demo Mode	Yes	Yes
Adjustable Sound Level For Timers / Reminders	Yes	Yes
More/Less Function	Yes	Yes
Power Failure Indicator	Yes	Yes

### Accessories

Signature Soft-Arc Oven Door	Yes	Yes
Glass Window	Yes	Yes

### Color / UPC (0-12505)

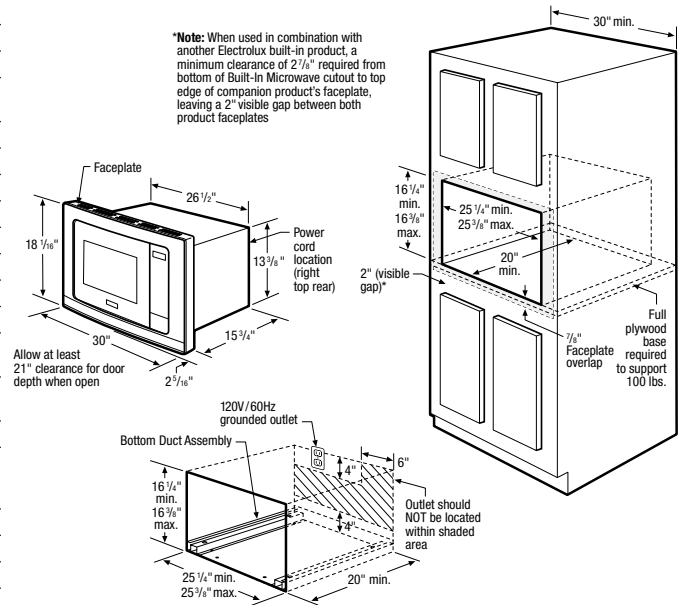
Stainless Steel (S) – Microwave/30" Trim Kit (EI30MO45TK) <sup>1</sup>	55903-7/55905-1	55907-5/55904-4
---	-----------------	-----------------

### Specifications

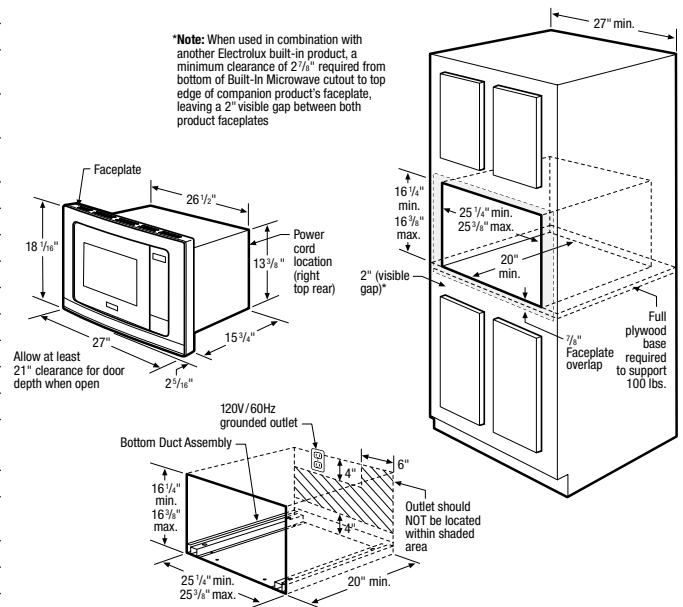
Oven Cavity Dimensions —		
Height	10-1/2"	10-1/2"
Width	17-3/8"	17-3/8"
Depth	18-5/8"	18-1/16"
Installation Dimensions —		
Height	18-1/16" Min.	18-1/16" Min.
Width	30" Min.	27" Min.
Depth (to Center of Arc)	19-1/8" Min.	18-1/16" Min.
Approved for Under-Counter Installation	Yes	Yes
Approved for Electric Single Oven Combination Installation <sup>2</sup>	Yes	Yes
Power Supply Connection Location	Right Top Rear	Right Top Rear
Voltage Rating	120V/60Hz/15 or 20A	120V/60Hz/15 or 20A
Connected Load (kW Rating) @ 120 Volts <sup>3</sup>	1.5	1.5
Amps at 120V	13	13
60" Electrical Cable	Included	Included
Microwave – Watts at 120 Volt Input	1,500 W	1,500 W
Frequency (Mhz)	2450	2450
Product Weight (Approximate) – Microwave with 30" Trim Kit	48 Lbs.	48 Lbs.
Shipping Weight (Approximate) – Microwave	46 Lbs.	46 Lbs.
Shipping Weight (Approximate) – 30" Trim Kit	10 Lbs.	10 Lbs.

1 30" Trim Kit (EI30MO45TK) is supplied and includes Stainless Steel Faceplate and Bottom Duct Assembly – shipped in separate boxes.  
 2 Approved to use in combination with any Electrolux Single Wall Oven and/or Warmer Drawer. (Not approved to be used above gas wall oven.)  
 3 For use on adequately wired 120V, dedicated circuit having 2-wire service with a separate ground wire. Appliance must be grounded for safe operation.  
 NOTE: Always consult local and/or national electric codes. Refer to Product Installation Guide for detailed installation instructions on the Web at [electroluxappliances.com](http://electroluxappliances.com).  
 Specifications subject to change.

## 30" Built-In Microwave EI30MO45G



## 27" Built-In Microwave EI27MO45G



Microwaves



*form and function – the perfect marriage.*

# Ventilation Hoods

- ● ● Ventilation hoods have become the standard in American kitchens. Not only are they elegant, adding visual appeal to your kitchen, they provide many benefits beyond just looking great.

Available in 30", 36" and 42" configurations, Electrolux ventilation hoods:

- Swiftly whisk steam and cooking odors out of your kitchen
- Operate quietly, leaving plenty of room for conversation in your kitchen
- Can be mounted above your island, above your peninsula or on your wall

## Ventilation Hoods

### 30" and 36" Glass Canopy Wall-Mount Hoods



EI30WC60G



EI36WC60G

### 36" and 42" Glass Canopy Island-Mount Hoods



EI36PC60G



EI42PC60G

### 30" and 36" Chimney Wall-Mount Hoods



EI30WC55G



EI36WC55G

Available in:



Stainless



## Choosing a Ventilation Hood

Rely on your retailer or kitchen design professional to help you select the right size ventilation hood. In general, the width of the hood should match or exceed the width of your range or cooktop. The required capacity of the hood — measured in cubic feet per minute (CFM) — is determined by the power output of your range or cooktop.

While ductless installations can be used with all-electric cooktops or ranges, gas appliances demand a hood that is ducted to the outside.

# Innovative Features

Available on select models. See next page for complete features and specifications.



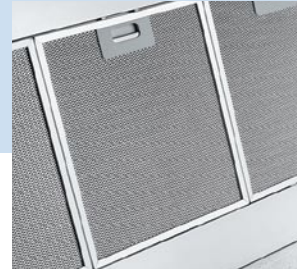
## LCD Electronic Controls

An array of versatile options with easy-to-read blue displays, including a convenient kitchen timer, fan-speed selections and a delayed power-off option. The hoods also feature sensors that will turn them on automatically if they sense heat or smoke.



## Halogen Lighting

For bright illumination of the cooktop surface.



## Stainless-Steel Filters

Dishwasher-safe for easy cleaning.



## Convenient Timers

Can be set to automatically shut off the vent after a specified time. (10-minute maximum.)

### Even More Innovative Features

**Dual-Centrifugal Fans.** Move air quietly and quickly — up to 600 CFM.

**Optional Ductless Ventilation**

**Signature Blue LED Display**

**Platinum Star™ Warranty**

## Glass Canopy Wall-Mount Hoods

- Glass and stainless-steel construction
- Four-speed, 600-CFM fans
- Two halogen lights

## Glass Canopy Island-Mount Hoods

- Glass and stainless-steel construction
- Four-speed, 600-CFM fans
- Four halogen lights

## Chimney Wall-Mount Hoods

- Stainless-steel construction
- Four-speed, 600-CFM fans
- Two halogen lights

works well with ...

**A recipe for success in any kitchen, Electrolux freestanding ranges serve up endless cooking options in a stylishly designed range that looks great anywhere.**



Ventilation

Drop into our Virtual Kitchen. Go to [electroluxappliances.com](http://electroluxappliances.com).

# Electrolux Ventilation Hood Specifications

## CHIMNEY WALL-MOUNT HOODS

	EI36WC55G	EI30WC55G
<b>Features</b>		
Nominal Width	36"	30"
Installation Type	Wall Mount	Wall Mount
Air Discharge	Vertical	Vertical
Air Delivery (CFM)	600	600
Blower Type	Dual Centrifugal	Dual Centrifugal
IQ-Touch™ Electronic Controls with LCD Display	Yes	Yes
Fan Speeds	4	4
Dual Halogen Lights	Yes	Yes
Washable Stainless-Steel Filters	Yes	Yes
Exhaust Duct	Convertible <sup>1</sup>	Convertible <sup>1</sup>
Diameter of Duct	8" Round	8" Round

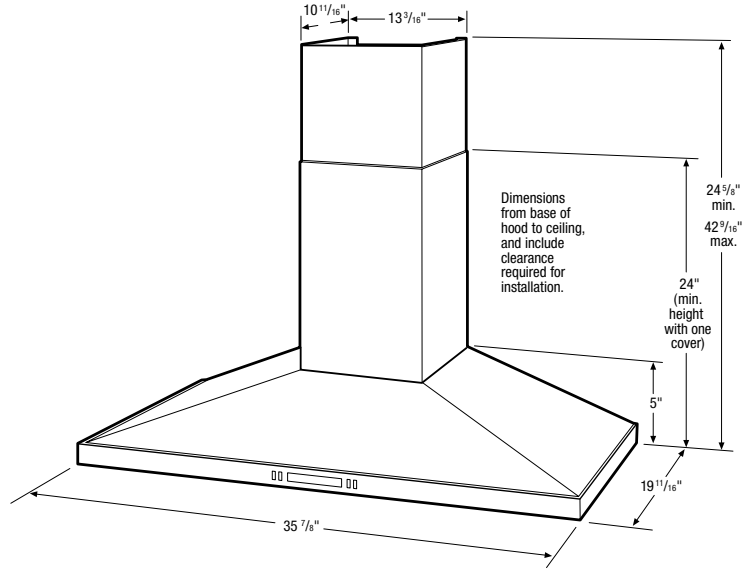
<b>Accessories</b>		
Charcoal Filter – EICFW60GS	Optional	Optional
52" Flue Extension – EIXWC55GS	Optional	Optional
Duct-Free Kit – EIDFW60GS	Optional	Optional

<b>Color / UPC (0-12505)</b>		
Stainless Steel ( S )	55878-8	55877-1

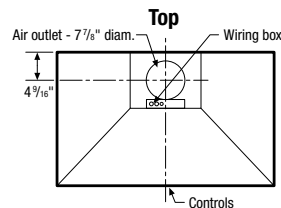
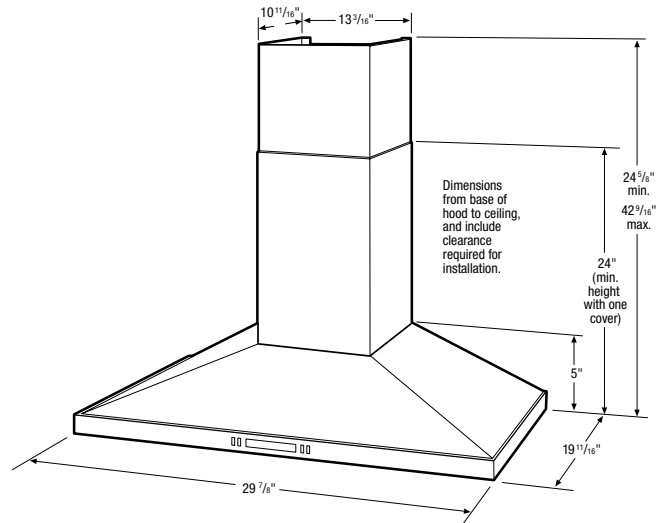
<b>Specifications</b>		
Overall Exterior Dimensions –		
Width	35-7/8"	29-7/8"
Height (With One Cover) (With Flue Extension)	24" min. 24-5/8" min. 42-9/16" max.	24" min. 24-5/8" min. 42-9/16" max.
Depth	19-11/16"	19-11/16"
Voltage Rating	120V / 60 Hz / 15A	120V / 60 Hz / 15A
Connected Load (kW Rating) @ 120 Volts <sup>2</sup>	0.48	0.48
Product Weight	39 Lbs.	36 Lbs.
Shipping Weight	42 Lbs.	39 Lbs.
Sones Rating	9.0	9.0

<sup>1</sup> If ducting is not an option, hood can be converted to ductless with use of optional duct-free kit.  
<sup>2</sup> For use on adequately wired 120V, dedicated circuit having two-wire service with a separate ground wire. Appliance must be grounded for safe operation.  
 NOTE: Always consult local and/or national electric codes. Check local building codes for installation requirements, as they may vary per locale. Refer to Product Installation Guide for detailed installation instructions on the Web at [electroluxappliances.com](http://electroluxappliances.com).  
 Specifications subject to change.

36" Chimney Wall-Mount Hood  
EI36WC55G



30" Chimney Wall-Mount Hood  
EI30WC55G



# Electrolux Ventilation Hood Specifications

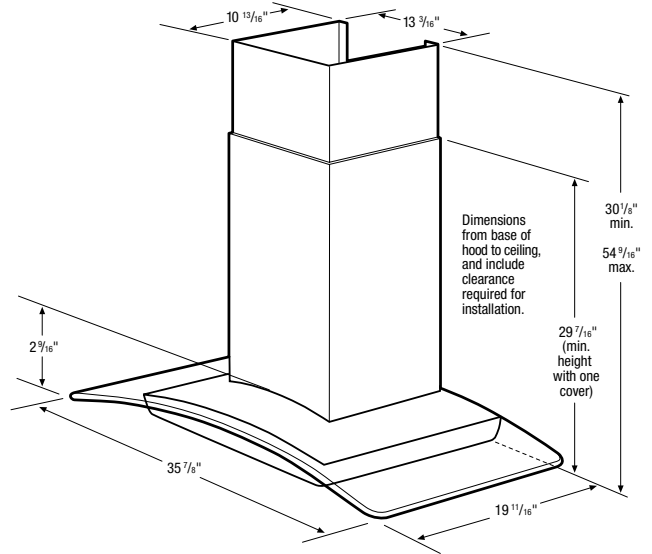
WALL-MOUNT HOODS	EI36WC60G	EI30WC60G
<b>Features</b>		
Nominal Width	36"	30"
Installation Type	Wall Mount	Wall Mount
Style	Stainless Steel / Glass Canopy	Stainless Steel / Glass Canopy
Air Discharge	Vertical	Vertical
Air Delivery (CFM)	600	600
Blower Type	Dual Centrifugal	Dual Centrifugal
IQ-Touch™ Electronic Controls with LCD Display	Yes	Yes
Fan Speeds	4	4
Dual Halogen Lights	Yes	Yes
Washable Stainless-Steel Filters	Yes	Yes
Exhaust Duct	Convertible <sup>1</sup>	Convertible <sup>1</sup>
Diameter of Duct	8" Round	8" Round
<b>Accessories</b>		
Charcoal Filter – EICFW60GS	Optional	Optional
Duct-Free Kit – EIDFW60GS	Optional	Optional
<b>Color / UPC (0-12505)</b>		
Stainless Steel ( S )	55874-0	55873-3
<b>Specifications</b>		
Dimensions —		
Width	35-7/8"	29-7/8"
Height (With One Cover) (With Flue Extension)	29-7/16" min. 30-1/8" min. 54-9/16" max.	29-7/16" min. 30-1/8" min. 54-9/16" max.
Depth	19-11/16"	19-11/16"
Voltage Rating	120V / 60 Hz / 15A	120V / 60 Hz / 15A
Connected Load (kW Rating) at 120 Volts <sup>2</sup>	0.47	0.47
Product Weight	64 Lbs.	60 Lbs.
Shipping Weight	67 Lbs.	64 Lbs.
Sones Rating	9.0	9.0

<sup>1</sup> If ducting is not an option, hood can be converted to ductless with use of optional duct-free kit.

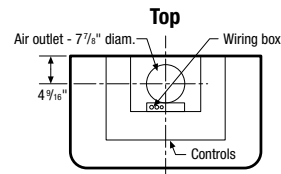
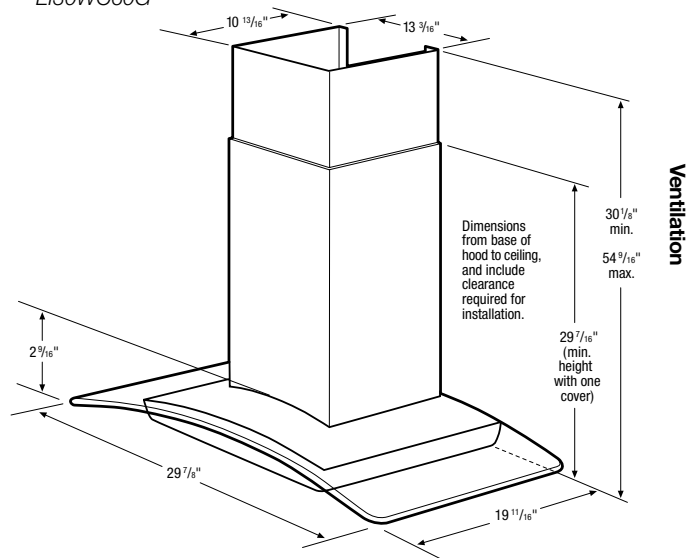
<sup>2</sup> For use on adequately wired 120V, dedicated circuit having two-wire service with a separate ground wire. Appliance must be grounded for safe operation.

NOTE: Always consult local and/or national electric codes. Check local building codes for installation requirements, as they may vary per locale. Refer to Product Installation Guide for detailed installation instructions on the Web at [electroluxappliances.com](http://electroluxappliances.com). Specifications subject to change.

36" Wall-Mount Hood  
EI36WC60G



30" Wall-Mount Hood  
EI30WC60G



# Electrolux Ventilation Hood Specifications

<b>ISLAND-MOUNT HOODS</b>	<b>EI42PC60G</b>	<b>EI36PC60G</b>
<b>Features</b>		
Nominal Width	42"	36"
Installation Type	Island / Peninsula	Island / Peninsula
Style	Stainless Steel / Glass Canopy	Stainless Steel / Glass Canopy
Air Discharge	Vertical	Vertical
Air Delivery (CFM)	600	600
Blower Type	Dual Centrifugal	Dual Centrifugal
IQ-Touch™ Electronic Controls with LCD Display	Yes	Yes
Fan Speeds	4	4
Quad Halogen Lights	Yes	Yes
Washable Stainless-Steel Filters	Yes	Yes
Exhaust Duct	Convertible <sup>1</sup>	Convertible <sup>1</sup>
Diameter of Duct	8" Round	8" Round
<b>Accessories</b>		
Charcoal Filter – EICFW60GS	Optional	Optional
Duct-Free Kit – EIDFP60GS	Optional	Optional
<b>Color / UPC (0-12505)</b>		
Stainless Steel (S)	55876-4	55875-7
<b>Specifications</b>		
Dimensions –		
Width	41-7/8"	35-7/8"
Height (With One Cover) (With Flue Extension)	28" min. 35" min. 57" max.	28" min. 35" min. 57" max.
Depth	25-3/16"	25-3/16"
Voltage Rating	120V / 60 Hz / 15A	120V / 60 Hz / 15A
Connected Load (kW Rating) at 120 Volts <sup>2</sup>	0.516	0.516
Product Weight	87 Lbs.	84 Lbs.
Shipping Weight	90 Lbs.	87 Lbs.
Sones Rating	9.0	9.0

<sup>1</sup> If ducting is not an option, hood can be converted to ductless with use of optional duct-free kit.

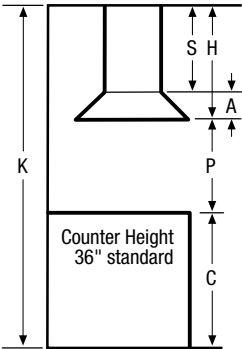
<sup>2</sup> For use on adequately wired 120V, dedicated circuit having two-wire service with a separate ground wire. Appliance must be grounded for safe operation.

NOTE: Always consult local and/or national electric codes. Check local building codes for installation requirements, as they may vary per locale. Refer to Product Installation Guide for detailed installation instructions on the Web at [electroluxappliances.com](http://electroluxappliances.com).

Specifications subject to change.

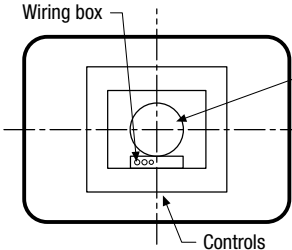


**PRE-INSTALLATION CALCULATIO**

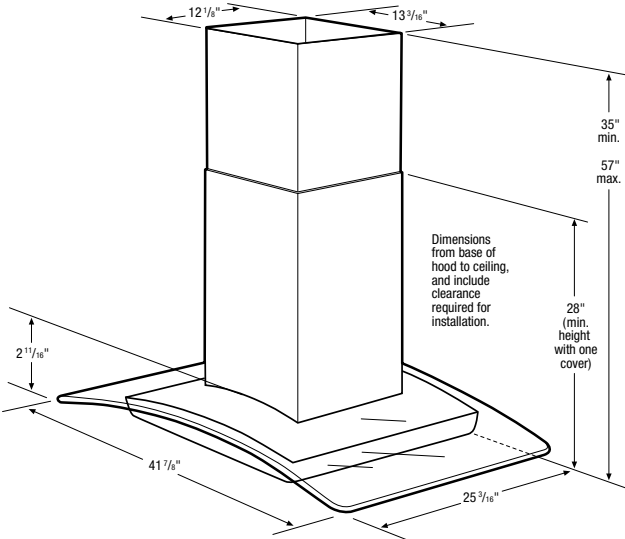


- K = Kitchen height
- C = Counter height
- P = Preferred height of hood bottom above counter (24" - 30" allowed, NOT more than 36" recommended)
- A = Canopy height
- H = Hood height for installation
- H = K - C - P
- S = Chimney structure height for installation
- S = H - A

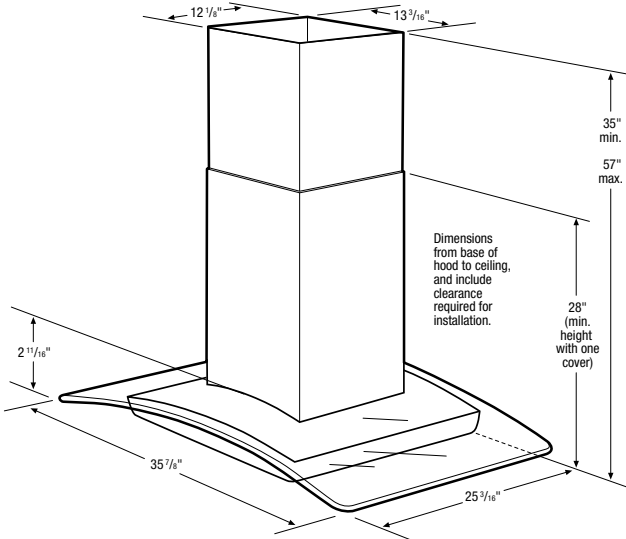
**Top**



42" Island-Mount Hood  
EI42PC60G



36" Island-Mount Hood  
EI36PC60G





*some of the best conversations  
take place in the kitchen.  
now you can actually hear them.*

# Dishwashers



An Electrolux dishwasher is the quietest dishwasher in its class,<sup>1</sup> and also boasts the largest usable capacity in its class<sup>2</sup> — so even your dinner-party dishware fits. Plus, it's built to coddle your delicate stemware and scour your dirtiest cookware.

Other innovative features include:

- Fully integrated controls that hide away until they are needed.
- Luxury touches like ball-bearing rack glides and doors that stay put.
- Sure-2-Fit™ racking system with a perfect place for over 180 items, from chopsticks to stockpots to stemware.

<sup>1</sup> Based on published MSRP and specifications.

<sup>2</sup> As measured by adjusted rack space.

## Dishwashers



Nine-Cycle Dishwasher  
with Wave-Touch™ Controls  
EWDW6505G



Eight-Cycle Dishwasher  
Panel-Ready  
with IQ-Touch™ Controls  
EIDW6405G



Eight-Cycle Dishwasher  
with IQ-Touch™ Controls  
EIDW6305G



Six-Cycle Dishwasher  
with IQ-Touch™ Controls  
EIDW6105G

Available in:



Stainless



White



Black



Panel-Ready

(Model EIDW6405G T only.)

Electrolux recommends **Cascade** 3-IN-1 COMPLETE and **Cascade** Crystal Clear Blue Agent in all dishwashers.

Drop into our Virtual Kitchen. Go to [electroluxappliances.com](http://electroluxappliances.com).





### Quietest in Its Class

So quiet you can run it whenever you want and no one will notice.<sup>1</sup>



## Innovative Features

Available on select models. See next page for complete features and specifications.



### Largest Usable Capacity

Largest usable capacity in its class, so all of your dinner-party dishware fits.<sup>2</sup>



### Wave-Touch™ Controls

One simple touch and the control panel activates. After you make your choices, options will fade away, returning to an elegant display.<sup>3</sup>



### Perfect Stemware™ Cycle

Ensures spotlessly clean stemware.



### Sure-2-Fit™ Racking System

The most versatile racking system — there's a perfect place for over 180 items, from chopsticks to stockpots to stemware. There's also an adjustable/removable top rack for the utmost flexibility. In its lowest position, you can fit 10" dinner plates in the top rack and 12" dinner plates in the bottom.



### 'My Favorite' Setting

A setting you can customize to meet your needs, so the option you want is available at the touch of a button.

## Even More Innovative Features

### Multiple Wash Cycles and Options.

Up to nine wash cycles and five wash options, including Auto Wash, Heavy, Normal, Quick, Delicate, Eco Wash, Stemware, Rinse Only and 'My Favorite'.

**Additional Control Options.** Air Dry, High or Low Pressure, High-Temperature Wash, NSF-Certified Sanitize Rinse and Delay Start.

### ENERGY STAR®

**Luxury-Dry™ System.** Uses a high-efficiency fan for outstanding drying results.

**Luxury-Hold™ Door.** Our door stays put at whatever angle you place it.

**Luxury-Glide™ Racks.** With our Luxury-Glide™ technology, upper and lower racks are so smooth they extend effortlessly.

**Blue LED Indicator Light.** Our signature blue LED designer lighting illuminates the floor underneath to let you know your dishes are clean.

**Universal Leak-Detection System.** Detects any water leak and immediately stops and drains the appliance while sounding an audible and visible alarm.

### Stainless-Steel Interior

### AquaLux™ Wash System

### Auto Wash Feature

### Signature Soft-Arc Door and Handle Design

### Platinum Star™ Warranty

### Sabbath Mode (Star-K® Approved)<sup>3</sup>

<sup>1</sup> Based on published MSRP and specifications.

<sup>2</sup> As measured by adjusted rack space.

<sup>3</sup> Select models only.

# Electrolux Dishwasher Specifications

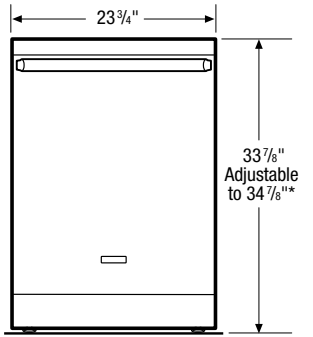
<b>24" BUILT-IN DISHWASHERS</b>	<b>EWDW6505G</b>	<b>EIDW6405T</b>	<b>EIDW6305G</b>	<b>EIDW6105G</b>
ENERGY STAR <sup>1</sup>	Yes	Yes	Yes	Yes
Sabbath Mode (Star-K <sup>®</sup> Certified)	Yes			
<b>Features</b>				
Stainless Steel Interior	Yes	Yes	Yes	Yes
Signature Soft-Arc Door and Handle Design	Yes	Yes	Yes	Yes
Luxury-Hold <sup>™</sup> Door	Yes	Yes	Yes	Yes
Wave-Touch <sup>™</sup> Electronic Controls	Yes			
IQ-Touch <sup>™</sup> Electronic Controls		Yes	Yes	Yes
Fully Integrated-Control Panel	Yes	Yes	Yes	Yes
Integrated-Control Panel				
Digital Countdown Display			Yes	
Tall-Tub Design	Yes	Yes	Yes	Yes
Smart Soil Sensor <sup>™</sup>	Yes	Yes	Yes	Yes
Luxury-Quiet <sup>™</sup> Sound Package	Yes	Yes	Yes	Yes
Wash Levels	5	5	5	5
AquaLux <sup>™</sup> Direct Delivery Wash System	Yes	Yes	Yes	Yes
Luxury-Dry <sup>™</sup> Power Dry System	Yes	Yes	Yes	Yes
Adjustable Rinse-Aid Dispenser with Indicator	Yes	Yes	Yes	Yes
<b>Cycles</b>				
Auto Wash	Yes	Yes	Yes	Yes
Heavy	Yes	Yes	Yes	Yes
Normal	Yes	Yes	Yes	Yes
Favorite	Yes		Yes	Yes
Quick	Yes		Yes	Yes
Delicate	Yes			
Eco Wash	Yes	Yes	Yes	
Perfect Stemware <sup>™</sup>	Yes	Yes	Yes	
Rinse Only	Yes		Yes	Yes
<b>Options</b>				
Hi-Temp. Wash	Yes	No	Yes	Yes
Hi / Low Pressure	Yes	Yes		
Air Dry	Yes	Yes	Yes	Yes
NSF <sup>™</sup> Certified Sanitize Option	Yes	Yes	Yes	Yes
Delay Start	30 Min. – 24 Hours	1 – 24 Hours	1 – 24 Hours	2, 4, 6 Hours
<b>Rack System</b>				
Sure-2-Fit <sup>™</sup> Nylon Rack System	Yes	Yes	Yes	
Nylon Rack System				Yes
Luxury-Glide <sup>™</sup> Nylon Upper Rack –				
Adjustable Height	Yes	Yes	Yes	Yes
Cup Shelf / Stemware Holder	2	2		2
Cup Shelf			2	
Cup Clips	4	4	2	
Perfect Stemware <sup>™</sup> Holder	Yes	Yes	Yes	Yes
Fold-Down Tines	4 Rows	4 Rows	2 Rows	2 Rows
Rack Handle	Yes	Yes	Yes	Yes
Versa-Tray <sup>™</sup>	Yes	Yes	Yes	
Luxury-Glide <sup>™</sup> Nylon Lower Rack –				
Fold-Down Tines	6 Rows	6 Rows	4 Rows	2 Rows
Rack Handle	Yes	Yes	Yes	
Knife Holder	Yes	Yes		
Utility Tray / Shelf	Yes	Yes	Yes	
Stemware / Champagne Glass Holders	4	4	2	
Silverware Basket	3-Piece Split	3-Piece Split	3-Piece Split	3-Piece Split
Special-Items Cover / Mesh Basket	Yes	Yes		
<b>Color / UPC (0-12505)</b>				
White ( W )	11040-5		11043-6	11047-4
Black ( B )	11041-2		11044-3	11048-1
Stainless Steel ( S )	11042-9		11045-0	11049-8
Panel Ready ( T )		11046-7		
<b>Specifications</b>				
Overall Exterior Dimensions –				
Height (Adjustable)	33-7/8" – 34-7/8"	33-7/8" – 34-7/8"	33-7/8" – 34-7/8"	33-7/8" – 34-7/8"
Width	23-3/4"	23-3/4"	23-3/4"	23-3/4"
Depth (to Center of Arc)	24-5/8"	24-5/8"	24-5/8"	24-5/8"
(with 90° Door Open)	49-7/8"	49-7/8"	49-7/8"	49-7/8"
Power Supply / Water Inlet Location	Middle Bottom Rear	Middle Bottom Rear	Middle Bottom Rear	Middle Bottom Rear
Leveling Legs	Yes	Yes	Yes	Yes
Water Usage (Gallons) – Normal Cycle	4.9 – 8.5	4.9 – 8.5	4.9 – 8.5	4.9 – 8.5
Water Pressure (PSI)	15 – 120	15 – 120	15 – 120	15 – 120
Connected Load (kW Rating) at 120 Volts <sup>2</sup>	1.44	1.44	1.44	1.44
Amps at 120 Volts	9	9	9	9
Electrical <sup>3</sup> – Single phase, two-wire with separate equipment grounding conductor. 60HZ AC electrical supply only.	Required	Required	Required	Required
Product Weight	98 Lbs.	93 Lbs.	98 Lbs.	98 Lbs.
Shipping Weight	115 Lbs.	110 Lbs.	115 Lbs.	115 Lbs.

<sup>1</sup> For use on adequately wired 120V, dedicated circuit having two-wire service with a separate ground wire. Appliance must be grounded for safe operation.

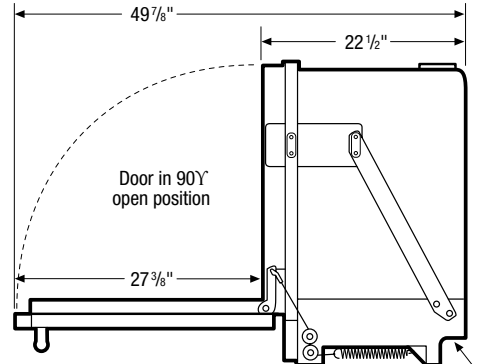
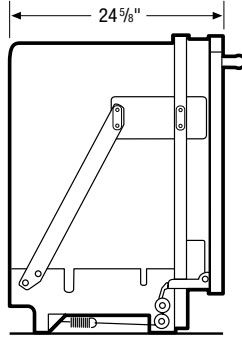
<sup>2</sup> Separate dedicated three-wire grounded circuit required.

NOTE: Always consult local and/or national electric codes. Refer to Product Installation Guide for detailed installation instructions on the Web at [electroluxappliances.com](http://electroluxappliances.com).

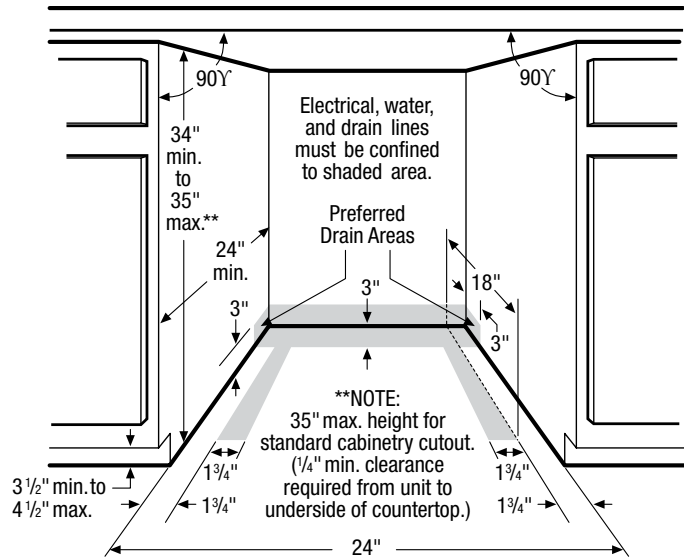
Specifications subject to change.



\*Height only adjustable to 34 3/4" max. when installed in 35" max. standard cabinetry cutout.



Water inlet and power supply location (middle bottom rear)







# Redefining cool ...

You can depend on Electrolux for the ultimate in fresh-food storage — with over 70 years of experience outfitting the most extraordinary European kitchens, Electrolux knows how to craft refrigerators, freezers and beverage coolers that combine leading-edge technology with luxurious styling.

Our refrigeration products offer convenient, time-saving features that work for you:

**Wave-Touch™ Controls** — One simple touch and the control panel activates. After you make your choices, options will fade away, returning to an elegant display.\*

**Fast Freeze™** (to lock in freshness) and **Fast Ice™** (for more ice faster) — up to 50% more ice.

**PureAdvantage™ Air Filter** — Keeps clean, filtered air circulated.

**PureAdvantage™ Water Filter** — Ensures fresh, clean water and ice at your fingertips.

**Signature Styling Details** — Like signature soft-arc doors and handles and distinctive, easy-to-read signature blue LED displays.

But, as you'll soon see, these advantages are just the tip of the iceberg.



*everything a refrigerator should be ...  
and much more.*



## Refrigerators



Standard-Depth  
Side-by-Side Refrigerator  
with Wave-Touch™ Controls  
EW26SS65G



Standard-Depth  
Side-by-Side Refrigerator  
with IQ-Touch™ Controls  
EI26SS55G



Counter-Depth  
Side-by-Side Refrigerator  
with Wave-Touch™ Controls  
EW23CS65G



Counter-Depth  
Side-by-Side Refrigerator  
with IQ-Touch™ Controls  
EI23CS55G

Available in:



Stainless



White



Black

# works well with ...

**An Electrolux beverage center is the hit of every party, keeping wine, beer and other beverages perfectly chilled and on hand when you need them.**





### 9"-Tall Water/Ice Dispenser

Our tall water and ice dispenser is specially designed to accommodate a variety of large containers, from a 16-ounce tumbler to a pitcher or a coffee carafe.



## Innovative Features

Available on select models. See next page for complete features and specifications.



### Luxury-Design™ Glass Shelves

All-glass shelves are crafted for exceptional beauty and feature the Luxury-Glide™ rack system that extends smoothly.



### Luxury-Glide™ Crispers

Drawers smoothly glide out and keep produce fresh with adjustable humidity control and minimal temperature variation.



### Luxury-Design™ Lighting

Our ramp-up designer lighting is as beautiful as it is functional.



### PureAdvantage™ Air Filter

Keeps clean, filtered air circulated throughout to prevent odor transfer.

### PureAdvantage™ Water Filter

Ensures fresh, clean water and ice at your fingertips.



### Fast Ice™ Option

Have enough ice for your party — Fast Ice™ makes up to 50% more ice.

## Even More Innovative Features

### ENERGY STAR®

**More Storage.** Our counter-depth refrigerator offers the same shelf space as a standard-depth refrigerator.

**Wave-Touch™ Controls.** One simple touch and the control panel activates. After you make your choices, options will fade away, returning to an elegant display.\*

**Chill Zone™ Drawer.** Chilled air is vented directly into this Luxury-Glide™ drawer to keep contents extra cold.

### Perfect Set™ Temperature Controls.

Allow you to adjust the refrigerator and freezer temperatures independently.

**Alarm System.** Notifies you if there's been a power failure, if a door stays open longer than five minutes and if the interior temperature of the refrigerator ever rises above 56 degrees for 20 minutes.

### Exceptionally Quiet Operation

### Large, Gallon-Plus Door Bins

### On-Door Beverage Can Rack

### Energy-Saving Vacation Mode

### Twist-to-Open Utility Bin with Divider

### Full-Extension Freezer Baskets

### Tilt-Out Freezer Bins

### Maintenance-Free, No-Clean Condenser

### Stainless-Steel Wine Rack

### Signature Soft-Arc Door and Handle Design

### Platinum Star™ Warranty

### Sabbath Mode (Star-K® Certified)

# Electrolux Counter-Depth Refrigerator Specifications

## 23 CU. FT. COUNTER-DEPTH REFRIGERATORS

	EW23CS65G	EI23CS55G
ENERGY STAR*	Yes	Yes
Sabbath Mode (Star-K® Certified)	Yes	Yes

### Capacities

Total Capacity	22.53 Cu. Ft.	22.53 Cu. Ft.
Fresh-Food Volume	14.01 Cu. Ft.	14.01 Cu. Ft.
Freezer Volume	8.52 Cu. Ft.	8.52 Cu. Ft.
Total Shelf Area	22.1 Sq. Ft.	22.1 Sq. Ft.
Fresh-Food Shelf Area	16 Sq. Ft.	16 Sq. Ft.
Freezer Shelf Area	6.1 Sq. Ft.	6.1 Sq. Ft.

### Exterior

Signature Soft-Arc Door and Handle Design	Yes	Yes
Wave-Touch™ Electronic Controls	Yes	
IQ-Touch™ Electronic Controls		Yes
Door-Hinge Covers	Yes	Yes
Ice / Water Dispenser	Yes	Yes
Perfect Set™ Temperature Control System and Display	Yes	Yes
Crushed / Cubes / Water	Yes	Yes
Air and Water Filter Indicator / Reset	Yes	Yes
Fast Ice™	Yes	Yes
Fast Freeze™	Yes	Yes
Lock	Yes	Yes
Dispenser-Light Control	Yes	Yes

### Fresh-Food Conveniences

PureAdvantage™ Water Filter	Yes	Yes
Water Filter Location	Front	Front
PureAdvantage™ Air Filter	Yes	Yes
Temp-Alarm System	Yes	Yes
Door-Ajar Alarm	Yes	Yes
Power-Failure Alarm	Yes	Yes
Luxury-Design™ Full-Extension Glass Shelves	3	3
Luxury-Glide™ Dual Humidity-Controlled Upper Crisper	Yes	Yes
Luxury-Glide™ Humidity-Controlled Lower Crisper	Yes	Yes
Chill Zone™	Yes	Yes
Stainless-Steel Wine Rack	Yes	
Clear Condiment-Bottle Door Storage	Yes	Yes
Clear One-Gallon Removable Door Bins	1	1
Clear Two-Liter Adjustable Door Bins	2	2
Locking Clear Utility Bin	Yes	Yes
Tall-Bottle Retainers	2	1
Clear In-Door Can Rack	Yes	Yes
Luxury-Design™ Lighting Multilevel Theatre Lighting	Yes	Yes

### Freezer Conveniences

Automatic Ice Maker with Ice Server	Yes	Yes
Glass Shelves	2	2
Full Freezer Baskets	2 (1 Luxury-Glide™)	2 (1 Luxury-Glide™)
Luxury-Glide™ Half Freezer Baskets	1	1
Clear Fixed Door Bins	1	1
Tilt-Out Wire Door Racks	3	3
Ice-Cream Shelf	Yes	Yes
Pizza Shelf	Yes	Yes
Luxury-Design™ Lighting Multilevel Theatre Lighting	Yes	Yes

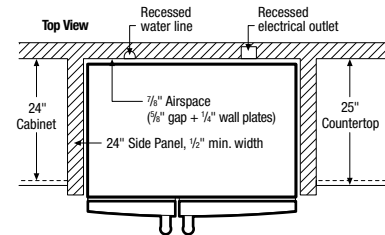
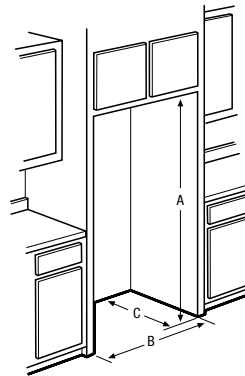
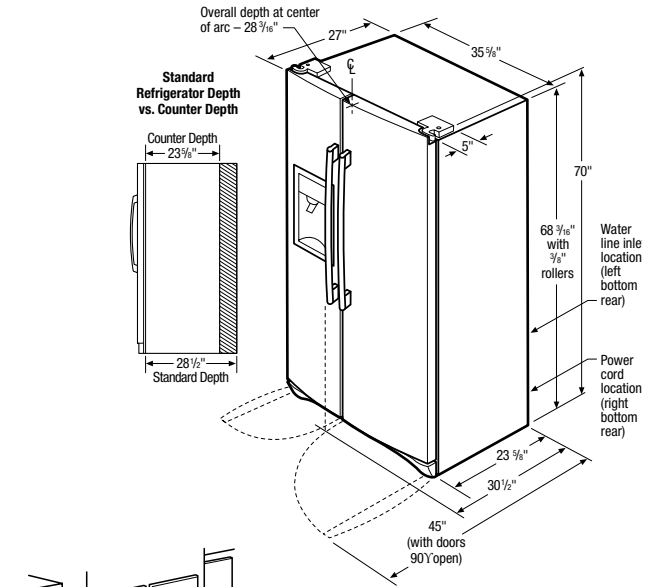
### Installation

Adjustable Front Rollers	Yes	Yes
Rear Rollers	Yes	Yes
Door Stops	Yes	Yes

### Color / UPC (0-12505)

White ( W )	69475-2	69495-0
Black ( B )	69476-9	69496-7
Stainless Steel ( S )	69477-6	69497-4

## Counter-Depth Refrigerators EW23CS65G and EI23CS55G



### Specifications

	EW23CS65G	EI23CS55G
Overall Exterior Dimensions —		
Height	70"	70"
Width	35-5/8"	35-5/8"
Depth (to Center of Arc) (with 90° Door Open)	28-3/16" 45"	28-3/16" 45"
Power Supply Connection Location	Right Bottom Rear	Right Bottom Rear
Water Inlet Location	Left Bottom Rear	Left Bottom Rear
Voltage Rating	120V / 60 Hz / 15 or 20A	120V / 60 Hz / 15 or 20A
Connected Load (kW Rating) at 120 Volts*	1.02	1.02
Minimum Circuit Required (Amps)	15	15
Product Weight	300 Lbs.	300 Lbs.
Shipping Weight (Approximate)	310 Lbs.	310 Lbs.

\* An electrical supply with grounded three-prong receptacle is required. The power supply circuit must be installed in accordance with current edition of National Electrical Code (NFPA 70) and local codes and ordinances.

NOTE: Always consult local and/or national electric codes. Refer to Product Installation Guide for detailed installation instructions on the Web at [electroluxappliances.com](http://electroluxappliances.com).

Specifications subject to change.

# Electrolux Standard-Depth Refrigerator Specifications

## 26 CU. FT. STANDARD-DEPTH REFRIGERATORS

	EW26SS65G	EI26SS55G
ENERGY STAR*	Yes	Yes
Sabbath Mode (Star-K® Certified)	Yes	Yes

### Capacities

Total Capacity	25.93 Cu. Ft.	25.93 Cu. Ft.
Fresh-Food Volume	16.48 Cu. Ft.	16.48 Cu. Ft.
Freezer Volume	9.45 Cu. Ft.	9.45 Cu. Ft.
Total Shelf Area	25.82 Sq. Ft.	25.82 Sq. Ft.
Fresh-Food Shelf Area	18.36 Sq. Ft.	18.36 Sq. Ft.
Freezer Shelf Area	7.46 Sq. Ft.	7.46 Sq. Ft.

### Exterior

Soft-Arc Door and Handle Design	Yes	Yes
Wave-Touch™ Electronic Controls	Yes	
IQ-Touch™ Electronic Controls		Yes
Door-Hinge Covers	Yes	Yes
Ice / Water Dispenser	Yes	Yes
Perfect Set™ Temperature Control System and Display	Yes	Yes
Crushed / Cubes / Water	Yes	Yes
Air and Water Filter Indicator / Reset	Yes	Yes
Fast Ice™	Yes	Yes
Fast Freeze™	Yes	Yes
Lock	Yes	Yes
Dispenser-Light Control	Yes	Yes

### Fresh-Food Conveniences

PureAdvantage™ Water Filter	Yes	Yes
Water Filter Location	Front	Front
PureAdvantage™ Air Filter	Yes	Yes
Temp-Alarm System	Yes	Yes
Door-Ajar Alarm	Yes	Yes
Power-Failure Alarm	Yes	Yes
Luxury-Design™ Full-Extension Glass Shelves	3	3
Luxury-Glide™ Dual Humidity-Controlled Upper Crisper	Yes	Yes
Luxury-Glide™ Humidity-Controlled Lower Glass Crisper	Yes	Yes
Chill Zone™	Yes	Yes
Stainless-Steel Wine Rack	Yes	
Condiment-Bottle Door Storage	Yes	Yes
Clear One-Gallon Removable Door Bins	3	3
Clear Two-Liter Adjustable Door Bins	2	2
Dairy Compartment with Clear Cover	Yes	Yes
Tall-Bottle Retainers	2	1
Luxury-Design™ Lighting Multilevel Theatre Lighting	Yes	Yes

### Freezer Conveniences

Automatic Ice Maker with Ice Server	Factory Installed	Factory Installed
Glass Shelves	2	2
Luxury-Glide™ Full Freezer Baskets	2	2
Luxury-Glide™ Half Freezer Baskets	1	1
Clear Fixed Door Bins	1	1
Tilt-Out Wire Door Racks	3	3
Ice-Cream Shelf	Yes	Yes
Pizza Shelf	Yes	Yes
Luxury-Design™ Lighting Multilevel Theatre Lighting	Yes	Yes

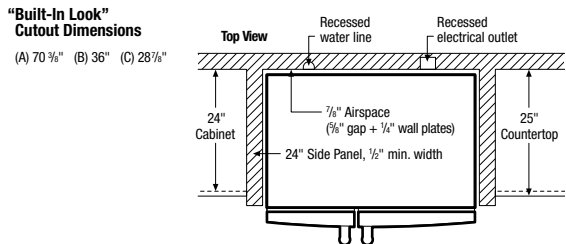
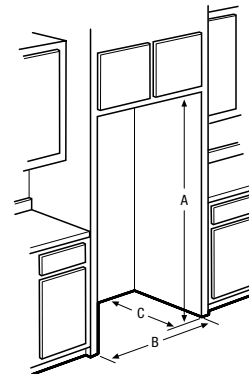
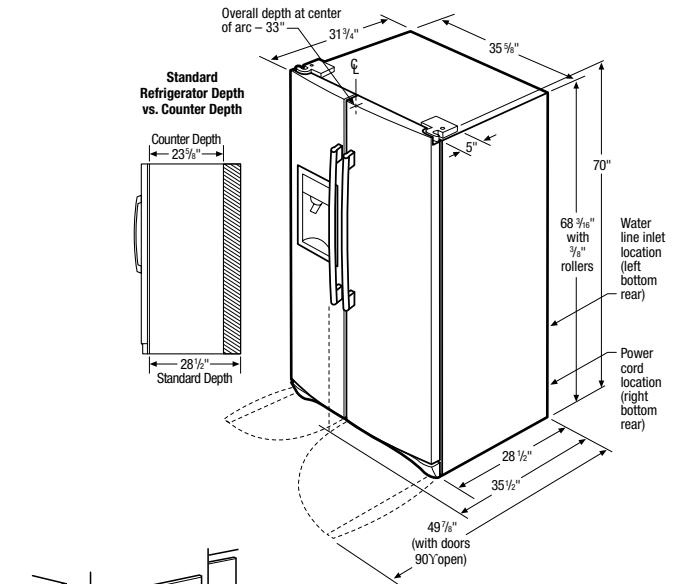
### Installation

Adjustable Front Rollers	Yes	Yes
Rear Rollers	Yes	Yes
Door Stops	Yes	Yes

### Color / UPC (0-12505)

White ( W )	69498-1	69484-4
Black ( B )	69499-8	69485-1
Stainless Steel ( S )	69500-1	69486-8

## Standard-Depth Refrigerators EW26SS65G and EI26SS55G



### Specifications

	EW26SS65G	EI26SS55G
Overall Exterior Dimensions —		
Height	70"	70"
Width	35-5/8"	35-5/8"
Depth (to Center of Arc) (with 90° Door Open)	33" 49-7/8"	33" 49-7/8"
Power Supply Connection Location	Right Bottom Rear	Right Bottom Rear
Water Inlet Location	Left Bottom Rear	Left Bottom Rear
Voltage Rating	120V / 60 Hz / 15 or 20A	120V / 60 Hz / 15 or 20A
Connected Load (kW Rating) at 120 Volts*	1.02	1.02
Minimum Circuit Required (Amps)	15	15
Product Weight	325 Lbs.	325 Lbs.
Shipping Weight (Approximate)	335 Lbs.	335 Lbs.

\* An electrical supply with grounded three-prong receptacle is required. The power supply circuit must be installed in accordance with current edition of National Electrical Code (NFPA 70) and local codes and ordinances.

NOTE: Always consult local and/or national electric codes. Refer to Product Installation Guide for detailed installation instructions on the Web at [electroluxappliances.com](http://electroluxappliances.com).

Specifications subject to change.



# Upright Freezers

*Keep your fresh-picked fruits and  
veggies – fresh.*

- ● ● Electrolux freezers offer a stylish, easy-to-organize and accessible interior space. It's food storage made perfect.



**Upright Freezers**  
Available in Stainless.



Upright Freezer with 21 cu. ft. of storage and automatic ice maker EILFU21G



Upright Freezer with 17 cu. ft. of storage and automatic ice maker EILFU17G

**Innovative Features**

Available on select models. See next page for complete features and specifications.



**Digital Exterior Control Center**

Lockable display shows vital functions, including temperature. Choose from Fahrenheit or Celsius displays.



**Fast Freeze™ Option**

Freezes food faster to lock in freshness.



**Versatile Racking and Shelving Options**

Adjustable glass shelves are easily moved and easily cleaned, while Luxury-Glide™ full-width baskets and tilt-out wire door racks make food easy to find. Our 21-cu.-ft. model has three tilt-out wire door baskets — an industry exclusive!



**Alarm System**

Notifies you if there's been a power failure, if a door stays open longer than five minutes and if the interior temperature of the freezer rises above 23 degrees for more than 60 minutes.

**Even More Innovative Features**

**Stylish Exterior.** Signature Electrolux style: soft-arc door, stainless steel and signature blue LED displays.

**Frost-Free Design.** The freezer defrosts itself so you don't have to.

**Automatic Ice Maker.** You'll always have extra ice on hand for any occasion.

**Pizza/Platter Shelf**

**Small-Items Shelf**

**Door Lock**

**Signature Soft-Arc Door and Handle Design**

**Platinum Star™ Warranty**

**ENERGY STAR®**

works well with ...

Enhance your kitchen with an Electrolux ice maker, which delivers up to 60 pounds of crystal-clear, restaurant-style ice every day.



Drop into our Virtual Kitchen. Go to [electroluxappliances.com](http://electroluxappliances.com).

Upright Freezers

# Electrolux Upright Freezer Specifications

<b>UPRIGHT FREEZERS</b>	<b>EILFU21G</b>	<b>EILFU17G</b>
ENERGY STAR®	Yes	Yes
Total Volume	20.6 Cu. Ft.	16.8 Cu. Ft.
Shelf Area	23.2 Sq. Ft.	20 Sq. Ft.
<b>Features</b>		
IQ-Touch™ Electronic Controls	Yes	Yes
Front Digital Display	Yes	Yes
Frost-Free Performance	Yes	Yes
Adjustable Temp Control	Yes	Yes
Display Temp Mode (°C or °F)	Yes	Yes
Fast Freeze™	Yes	Yes
High-Temperature Alarm System	Yes	Yes
System-Error Alarm	Yes	Yes
Luxury-Design™ Lighting Interior Lighting	Yes	Yes
Power-On Light	Yes	Yes
Adjustable Glass Shelves	2	2
Fixed Glass Shelves	2	2
Luxury-Glide™ Full-Width Freezer Baskets	3	2
Adjustable Door Bins	2	2
Fixed Door Bin	1	1
Tilt-Out Wire Door Shelves	3	2
Automatic Ice Maker	Yes	Yes
<b>Additional Features</b>		
Signature Soft-Arc Door and Handle Design	Yes	Yes
Lock with Pop-Out Key	Yes	Yes
Automatic Door Closer	Yes	Yes
Defrost Drain	Yes	Yes
Adjustable Leveling Legs	2	2
<b>Accessories</b>		
Pizza Shelf	Included	Included
Small-Items Shelf	Included	Included
Basket Dividers	3 — Included	2 — Included
<b>Color / UPC (0-12505)</b>		
Stainless Steel ( S )	22529-1	22528-4
<b>Specifications</b>		
Overall Exterior Dimensions —		
Height (Adjustable)	71" – 72"	65-1/2" – 66-1/2"
Width	32"	32"
Depth (to Center of Arc) (with 90° Door Open)	29-1/2" 59-3/8"	27-1/2" 57-3/8"
Power Supply Connection Location	Right Bottom Rear	Right Bottom Rear
Water Inlet Location	Left Bottom Rear	Left Bottom Rear
Voltage Rating	115V / 60 Hz / 15A	115V / 60 Hz / 15A
Connected Load (KW Rating) at 115 Volts*	.69	.62
Minimum Circuit Required (Amps)	15	15
Product Weight	246 Lbs.	204 Lbs.
Shipping Weight (Approximate)	268 Lbs.	224 Lbs.

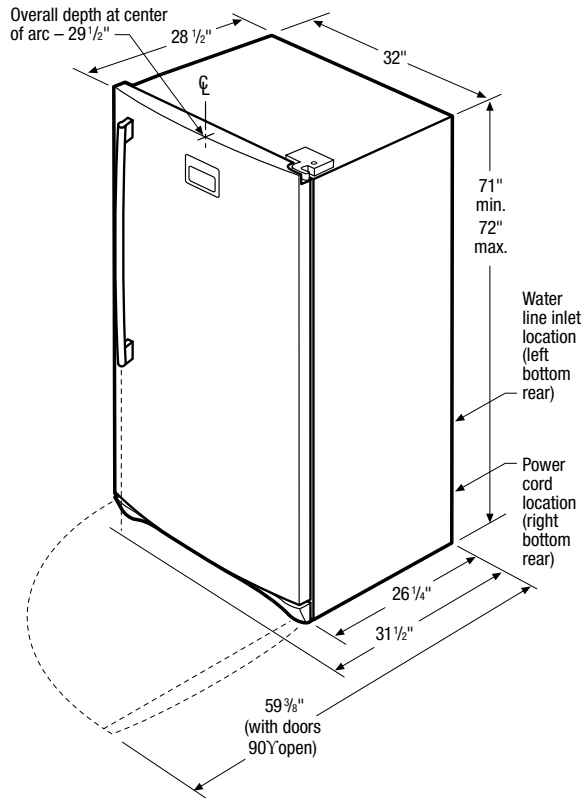
\*An electrical supply with grounded three-prong receptacle is required. The power supply circuit must be installed in accordance with current edition of National Electrical Code (NFPA 70) and local codes and ordinances.

NOTE: Always consult local and/or national electric codes. Refer to Product Installation Guide for detailed installation instructions on the Web at [electroluxappliances.com](http://electroluxappliances.com).

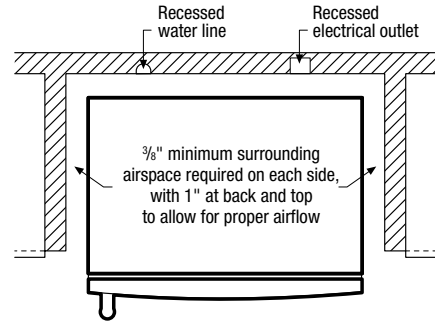
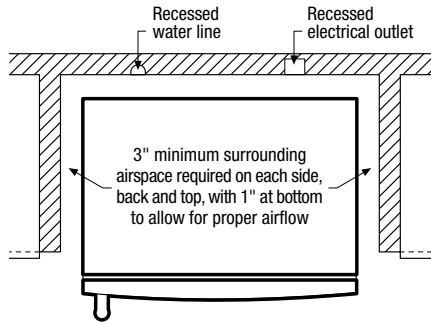
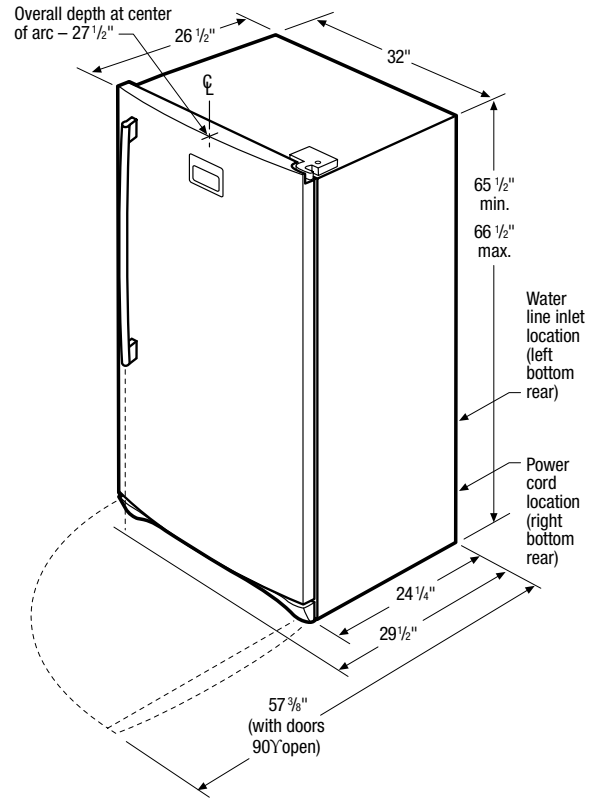
Specifications subject to change.

# Electrolux Upright Freezer Specifications

21 Cu. Ft. Upright Freezer  
EILFU21GS



17 Cu. Ft. Upright Freezer  
EILFU17GS



Upright Freezers



Running out of room for drinks in your refrigerator? The Electrolux beverage center is the answer — it keeps soda, wine, beer and other beverages refreshingly cold and ready to enjoy.

# Beverage Center

*it's the hit at every party.*

## Beverage Center

Available in Stainless.



24" Beverage Center  
with Perfect Set™ temperature  
control (Holds 11 wine bottles,  
plus three shelves for beverages.)  
EI24BC65GS

### Innovative Features

See next page for complete features and specifications.



#### Perfect Set™ Temperature Control

Set a temperature anywhere between 35 and 45 degrees — the beverage center will maintain selected temperature to keep your beverages perfectly chilled.



#### Luxury-Glide Racks™

With a ball-bearing system, racks are so smooth they extend effortlessly.



#### Multiple Storage Options

Two half-depth, fully extendable wine racks and three fully extendable glass shelves for maximum versatility.



#### Integrated Controls

Controls located at the top of the door — where they're easiest to use.

#### Even More Innovative Features

**LED Illumination System.** Lighting is as beautiful as it is functional, keeping the contents clearly visible.

**Alarm System.** Notifies you if there's been a power failure, if a door stays open longer than five minutes and if the interior temperature rises 10 degrees or more for four hours.

**PureAdvantage™ Air Filter.** Keeps air fresh by circulating clean, filtered air throughout.

**UV-Filtered Glass Door.** Helps protect wine's flavor from the deterioration caused by harmful UV rays.

**Versatile Installation Options.** Use freestanding or under-counter. Doors are reversible for either left- or right-swing operation — making placement even easier.

**Six Cubic Feet of Storage**

**Energy-Saving Vacation Mode**

**Luxury-Close™ Door**

**Signature Soft-Arc Door and Handle Design**

**Platinum Star™ Warranty**

**Sabbath Mode** (Star-K® Certified)

works well with ...

Protect your favorite vintages and keep them close at hand with an Electrolux wine cooler. It will protect and preserve up to 44 bottles — and attractively display them, as well.



# Electrolux Beverage Center Specifications

## 24" UNDER-COUNTER BEVERAGE CENTER

### EI24BC65G

Sabbath Mode (Star-K® Certified)	Yes
Capacity	6.0 Cu. Ft.
Storage	8 Bottles
Installation Type	Built-In / Freestanding

#### Features

IQ-Touch™ Electronic Controls	Yes
Fully Integrated Control Panel	Yes
Electronic Control Lock	Yes
Digital Display	Yes
Frost-Free Performance	Yes
Dynamic Condenser	Yes
PureAdvantage™ Air Filter	Yes
Perfect Set™ Controls	Yes
Display Temp Mode (°C or °F)	Yes
Door-Open Acoustic Alarm	Yes
High-Temperature Acoustic Alarm	Yes
Power-Failure Acoustic Alarm	Yes
Mute Sound Control	Yes
LED Illumination System	Yes
Exhibit Lighting with Manual Control	Yes
Power-On / -Off Control	Yes
Vacation Mode	Yes
Luxury-Glide™ Full-Extension Glass Shelves	3
Luxury-Glide™ Full-Extension Half-Depth Wine Rack	2
Full-Extension Beverage Rack	Yes
Black Soft-Coat Wireform Rack	Yes
Metal-Look Front on Racks	Yes

#### Additional Features

Signature Soft-Arc Door and Handle Design	Yes
UV-Protective, Tinted Glass Window	Yes
Field-Reversible Door	Yes
Automatic Door Closure	Yes
Adjustable Leveling Legs	4

#### Color / UPC (0-12505)

Stainless Steel (S)	67363-4
---------------------	---------

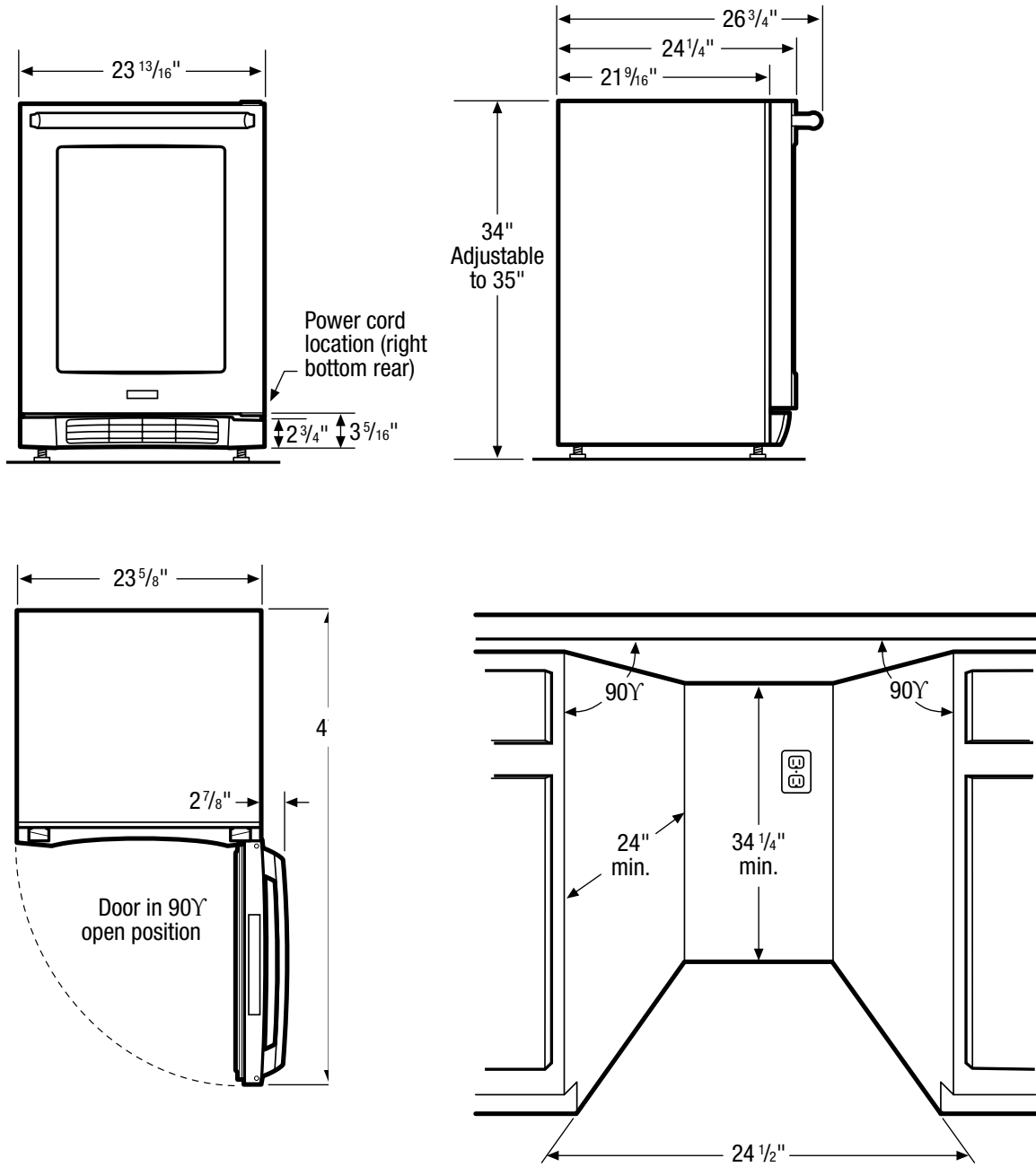
#### Specifications

Overall Exterior Dimensions —	
Height (Adjustable)	34" – 35"
Width	23-13/16"
Depth (to Center of Arc) (with 90° Door Open)	24-1/4" 47"
Temperature Range	35° F – 45° F
Power Supply Connection Location	Right Bottom Rear
Voltage Rating	120V / 60 Hz /15A
Minimum Circuit Required (Amps)	15
Product Weight	128 Lbs.
Shipping Weight (Approximate)	137 Lbs.

NOTE: Always consult local and/or national electric codes. Refer to Product Installation Guide for detailed installation instructions on the Web at [electroluxappliances.com](http://electroluxappliances.com).

Specifications subject to change.

Electrolux Beverage Center Specifications



Beverage Center



# Refrigerator Drawers

*you'll be amazed how quickly this "luxury" turns into a "necessity."*



Electrolux refrigerator drawers offer the ultimate versatility and cool storage. They provide additional refrigeration space in your kitchen for everything from extra produce to beverages to party platters. Or they can be integrated into any room of your house, making it easy and convenient to always have chilled beverages and snacks on hand.



## Refrigerator Drawers

Available in Stainless.



24" Refrigerator Drawers  
EI24RD65H S



### Large Capacity

Even large enough for two-liter bottles and large serving trays.



### LED Illumination System

Lighting is as beautiful as it is functional, keeping the contents clearly visible.

## Innovative Features

See next page for complete features and specifications.



### Luxury-Glide™ System

Opening or closing a drawer is smooth and easy — all it takes is the touch of a finger.



### Fully Integrated, Independent Electronic Controls

The top-of-drawer location is easy to program — and each drawer has its own temperature control for maximum versatility.

### Even More Innovative Features

**PureAdvantage™ Air Filter.** Keeps clean, filtered air circulated throughout to prevent odor transfer.

**Signature Styling.** Soft-arc door and handle, easy-to-read signature blue LED display, and luxurious brushed stainless exterior.

**ENERGY STAR®**

**Energy-Saving Vacation Mode**

**Luxury-Close™ Drawers**

**Signature Soft-Arc Door and Handle Design**

**Platinum Star™ Warranty**

**Sabbath Mode** (Star-K® Certified)

works well with ...

An Electrolux upright freezer is the ideal way to preserve fresh foods at the height of their flavor. Plus, their great looks and convenience features make them a welcome addition to your kitchen.



Refrigerator Drawers

Drop into our Virtual Kitchen. Go to [electroluxappliances.com](http://electroluxappliances.com).

# Electrolux Refrigerator Drawers Specifications

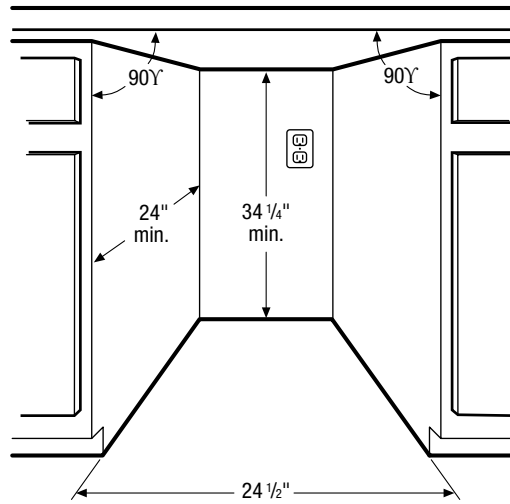
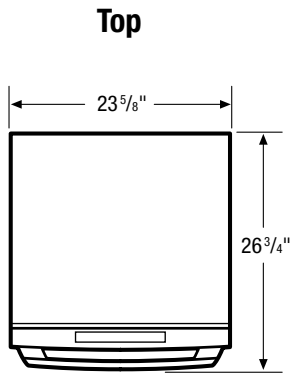
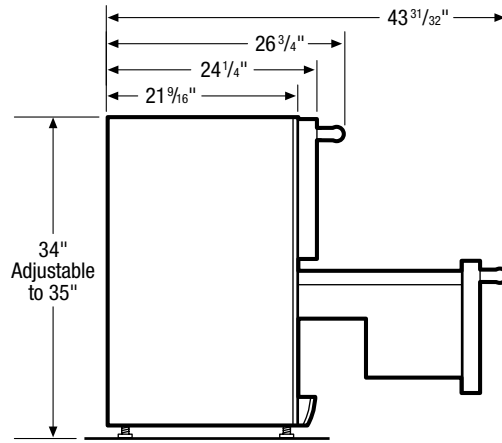
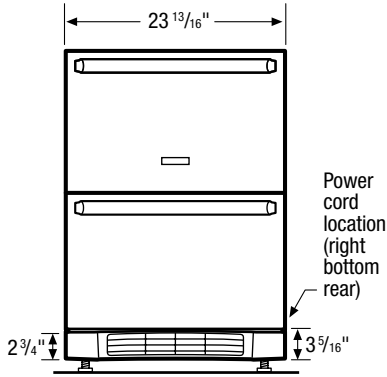
<b>24" REFRIGERATOR DRAWERS</b>	<b>EI24RD65H</b>
ENERGY STAR®	Yes
Sabbath Mode (Star-K® Certified)	Yes
Capacity	6.0 Cu. Ft.
Configuration	2 Drawers
Installation Type	Built-In
<b>Features</b>	
IQ-Touch™ Electronic Controls	Yes
Fully Integrated Control Panel	Yes
Electronic Control Lock	Yes
Signature Blue LED Display	Yes
Frost-Free Performance	Yes
Dynamic Condenser	Yes
PureAdvantage™ Air Filter	Yes
Perfect Temp™ Controls	Yes
Independent Temperature Zones (Each Drawer)	Yes
Display Temp Mode (°C or °F)	Yes
Drawer-Open Acoustic Alarm	Yes
High-Temperature Acoustic Alarm	Yes
Power-Failure Acoustic Alarm	Yes
Mute Sound Control	Yes
LED Illumination System	Yes
Power-On / -Off Control	Yes
Vacation Mode	Yes
Holds 12" Bottle (Upper and Lower Drawer)	Yes
Luxury-Glide™ Full-Extension Self-Closing Drawers	Yes
<b>Additional Features</b>	
Signature Soft-Arc Drawer Front and Handle Design	Yes
Adjustable Leveling Legs	4
<b>Accessories</b>	
Storage Pans	Optional
Adjustable Slide-and-Divide Divider (Upper Drawer)	Optional
<b>Color / UPC (0-12505)</b>	
Stainless Steel ( S )	67365-8
<b>Specifications</b>	
Cavity Dimensions –	
Height (Upper Drawer)	12-3/64"
(Lower Drawer)	12-3/16"
Width	18-1/16"
Depth	18-9/32"
Overall Exterior Dimensions –	
Height	34" – 35"
Width	23-13/16"
Depth (to Center of Arc)	24-1/4"
(Fully Extended Including Handle)	43-31/32"
Temperature Range	33°F – 47°F
Electrical Cable	Yes
Power Supply Connection Location	Right Bottom Rear
Voltage Rating	120V / 60 Hz / 15A
Connected Load (kW Rating) at 120 Volts*	0.0
Minimum Circuit Required (Amps)	15
Product Weight	128 Lbs.
Shipping Weight (Approximate)	138 Lbs.

\*For use on adequately wired 120V, dedicated circuit having two-wire service with a separate ground wire. Appliance must be grounded for safe operation.

NOTE: Always consult local and/or national electric codes. Refer to Product Installation Guide for detailed installation instructions on the Web at [electroluxappliances.com](http://electroluxappliances.com).

Specifications subject to change.

# Electrolux Refrigerator Drawers Specifications



Refrigerator Drawers



# Under-Counter Ice Maker

*They're clear. They're cold.  
They're endless.*



Incredibly clear ice cubes are now incredibly convenient. The Electrolux ice maker can keep you supplied with up to 60 pounds of crystal-clear, restaurant-style cubes every day.



## Under-Counter Ice Maker

Available in Stainless.

15" Under-Counter Ice Maker  
EI15IM55G S



## Innovative Features

See next page for complete features and specifications.



### Large Capacity

Stores up to 30 pounds of restaurant-style ice cubes — and can make up to 60 pounds of ice in a 24-hour period.



### Crystal-Clear Ice Cubes

Makes restaurant-style, crystal-clear ice — in your home.



### Stylish Exterior

Signature Electrolux style: soft-arc door, stainless steel and blue LED displays.

Under-Counter Ice Maker

### Even More Innovative Features

**Optional Drain Pump.** Allows installation in environments where a gravity drain is not available.

**Frost-Free Operation.** The freezer defrosts itself so you don't have to.

**Low-Maintenance.** Self-cleaning, self-defrosting.

**Energy-Saving Vacation Mode**

**Electronic Controls**

**Platinum Star™ Warranty**

works well with ...

There's no need to run to the kitchen every time your thirst hits. With an Electrolux beverage center, you'll enjoy the flexibility of having cool, refreshing drinks in any room in your house!

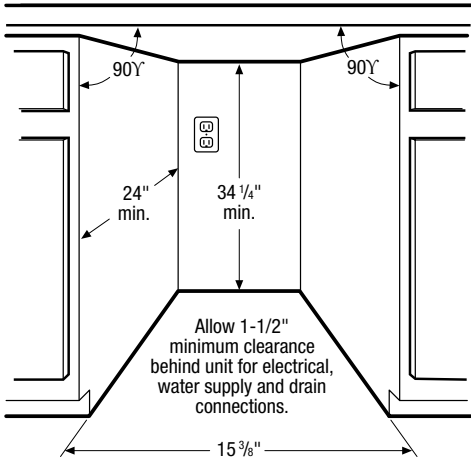
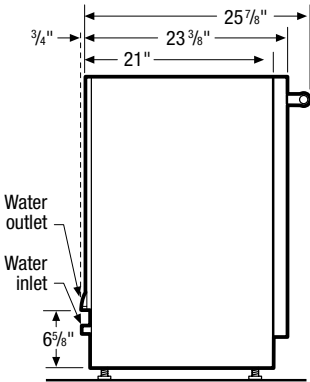
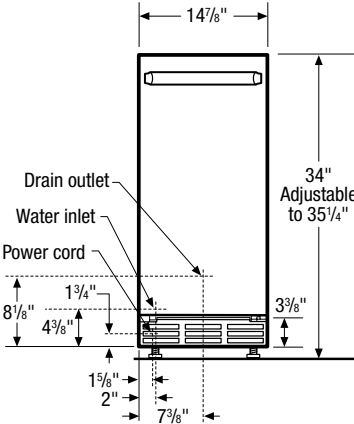
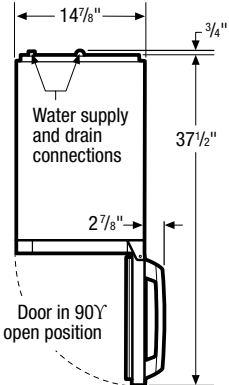


Drop into our Virtual Kitchen. Go to [electroluxappliances.com](http://electroluxappliances.com).

# Electrolux Ice Maker Specifications

<b>15" UNDER-COUNTER ICE MAKER</b>	<b>EI15IM55G</b>
Capacity	Up to 30 Lbs.
Installation Type	Built-In / Freestanding
<b>Features</b>	
IQ-Touch™ Electronic Controls	Yes
Daily Ice Production	Up to 60 Lbs.
Clear Ice Cubes	Yes
Ice Cube Size	7/8"
Ice Cubes Produced per Cycle	32
Frost-Free Performance	Yes
3-Step Self-Cleaning Process	Yes
Self-Cleaning of Mineral Deposits	Yes
Commercial-Grade Heavy-Duty Circulation Pump	Yes
Quiet Operation	Yes
<b>Additional Features</b>	
Signature Soft-Arc Door and Handle Design	Yes
Field-Reversible Door	Yes
Automatic Door Closure	Yes
Adjustable Leveling Legs	4
<b>Accessories</b>	
Ice Scoop	Included
Cleaning Kit – EIM41978	Optional
Drain Pump Kit – EIMP60 (to be used if gravity-assisted drain is not available)	Optional
<b>Color / UPC (0-12505)</b>	
Stainless Steel ( S )	67364-1
<b>Specifications</b>	
Overall Exterior Dimensions –	
Height (Adjustable)	34" – 35-1/4"
Width	14-7/8"
Depth (excluding handle) (with 90° Door Open)	24-1/8" 38-1/4"
Power Supply / Water Inlet Location	Left Bottom Rear
Voltage Rating	120V / 60 Hz / 15A
Minimum Circuit Required (Amps)	15
Gravity-Assisted Drain	Required
Product Weight	100 Lbs.
Shipping Weight (Approximate)	109 Lbs.

NOTE: Always consult local and/or national electric codes. Refer to Product Installation Guide for detailed installation instructions on the Web at [electroluxappliances.com](http://electroluxappliances.com).  
Specifications subject to change.



Ice Maker



*Keep your favorite vintages close at hand.*

## Wine Cooler



If wine is your passion — or if you just like having your favorite vintages well protected and close at hand — our wine cooler is a must. With an ample 44-bottle capacity, exceptionally precise temperature control and versatile installation options, you can proudly — and confidently — display your collection in nearly any room of the house.



Drop into our Virtual Kitchen. Go to [electroluxappliances.com](http://electroluxappliances.com).



**Wine Cooler**  
Available in Stainless.



Wine Cooler  
E124WC65G

## Innovative Features

See next page for complete features and specifications.



### LED Illumination System

Lighting is as beautiful as it is functional, keeping the wine clearly visible.



### UV-Filtered Glass Door

Helps protect wine's flavor from the deterioration caused by harmful UV rays.



### Luxury-Glide™ Shelves

With a ball-bearing system, shelves are so smooth they extend effortlessly.



### Perfect Set™ Temperature Control

Set a temperature anywhere between 45 and 65 degrees — the wine cooler will maintain selected temperature to keep your wine perfectly chilled.

## Even More Innovative Features

**PureAdvantage™ Air Filter.** Keeps air fresh by circulating fresh, clean air throughout.

**Integrated Controls.** The only wine cooler in the industry with the controls located at the top of the door — where they're easiest to use.

**Versatile Installation Options.** Use freestanding or under-counter. Doors are reversible for either left- or right-swing operation — making placement even easier.

**Alarm System.** Notifies you if there's been a power failure, if a door stays open longer than five minutes and if the interior temperature rises 10 degrees or more for four hours.

**Luxury-Close™ Door**

**Energy-Saving Vacation Mode**

**Signature Soft-Arc Door and Handle Design**

**Sabbath Mode** (Star-K® Certified)

works  
well with ...

If you're a serious wine enthusiast, consider adding an Electrolux wine tower to your home. Offering long-term storage for up to 160 bottles, your personal wine cellar is always within easy reach.



# Electrolux Wine Cooler Specifications

## 24" UNDER-COUNTER WINE COOLER

### EI24WC65G

Sabbath Mode (Star-K® Certified)	Yes
Capacity	6.0 Cu. Ft.
Maximum Storage	44 Bottles
Installation Type	Built-In / Freestanding

#### Features

IQ-Touch™ Electronic Controls	Yes
Fully Integrated Control Panel	Yes
Electronic Control Lock	Yes
Digital Display	Yes
Frost-Free Performance	Yes
Dynamic Condenser	Yes
PureAdvantage™ Air Filter	Yes
Perfect Set™ Controls	Yes
Display Temp Mode (°C or °F)	Yes
Door-Open Acoustic Alarm	Yes
High-Temperature Acoustic Alarm	Yes
Power-Failure Acoustic Alarm	Yes
Mute Sound Control	Yes
LED Illumination System	Yes
Exhibit Lighting with Manual Control	Yes
Power-On / -Off Control	Yes
Vacation Mode	Yes
Luxury-Glide™ Full-Extension Racks	5
Lower-Level Display Rack	Yes
Black Soft-Coat Wireform Racks	Yes
Metal-Look Front on Racks	Yes

#### Additional Features

Signature Soft-Arc Drawer Front and Handle Design	Yes
UV-Protective, Tinted Glass Window	Yes
Field-Reversible Door	Yes
Automatic Door Closure	Yes
Adjustable Leveling Legs	4

#### Color / UPC (0-12505)

Stainless Steel ( S )	67362-7
-----------------------	---------

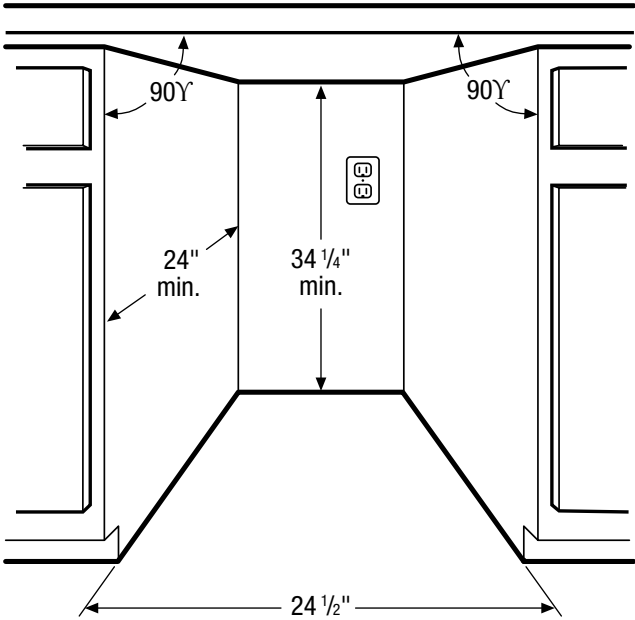
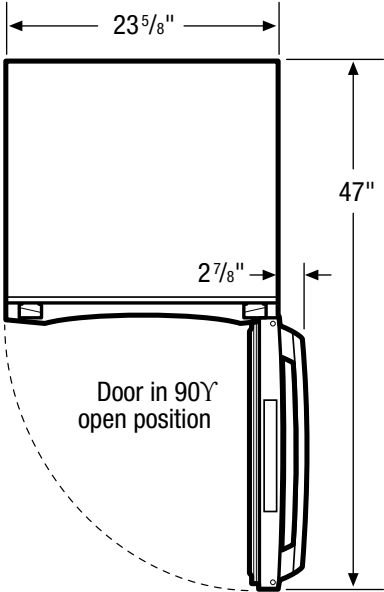
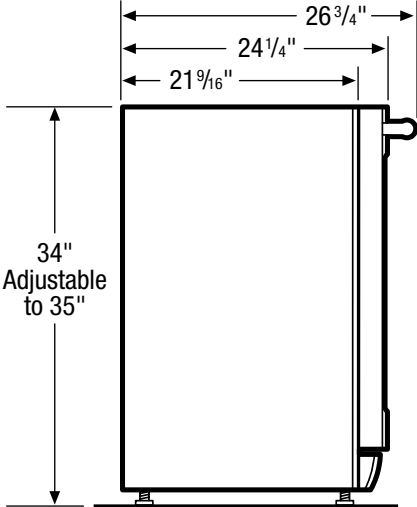
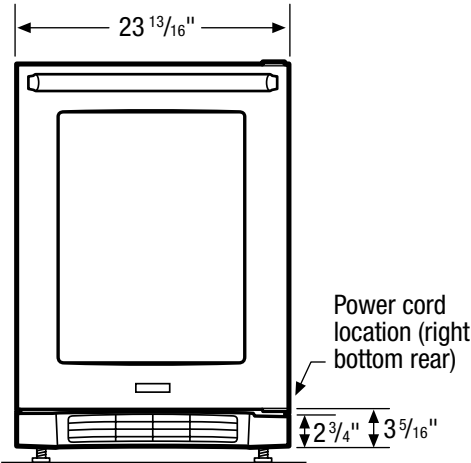
#### Specifications

Overall Exterior Dimensions —	
Height (Adjustable)	34" – 35"
Width	23-13/16"
Depth (to Center of Arc) (with 90° Door Open)	24-1/4" 47"
Temperature Range	45°F – 65°F
Power Supply Connection Location	Right Bottom Rear
Voltage Rating	110V / 60 Hz / 15A
Minimum Circuit Required (Amps)	15
Product Weight	128 Lbs.
Shipping Weight (Approximate)	137 Lbs.

NOTE: Always consult local and/or national electric codes. Refer to Product Installation Guide for detailed installation instructions on the Web at [electroluxappliances.com](http://electroluxappliances.com).

Specifications subject to change.

Electrolux Wine Cooler Specifications



Wine Cooler

*it's like having an entire wine cellar in your kitchen.*



# European Style Wine Tower



Whether you are a sophisticated wine connoisseur or simply a wine lover in training, the Electrolux European style wine tower is the ultimate addition to your kitchen. The controlled climate allows you to keep a wide variety of your favorite wines at their peak of flavor, ready to enjoy.

## **European Style Wine Tower**

*Available in Stainless.*



24" x 71" Wine Tower  
160-bottle capacity plus  
wooden storage drawer  
EI24WC75H S



## Innovative Features

See next page for complete features and specifications.



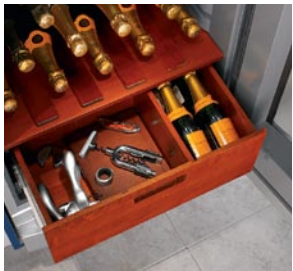
### LED Illumination System

Lighting is as beautiful as it is functional, keeping the wine clearly visible.



### Perfect Set™ Temperature Control

Set a temperature anywhere between 45 and 65 degrees — the European style wine tower will hold it precisely to keep your wine perfectly stored.



### Wooden Drawer

Ideal for chilling liquors or storing wine accessories.



### Stable Humidity Level

Held at a constant humidity level: ideal for wine storage.



### Exceptionally Quiet

You won't even know it's on.



### UV-Filtered Glass Door

Helps protect wine's flavor from deterioration caused by harmful UV rays.

### Even More Innovative Features

**Wood Display Shelves.** Rich, beautiful, wood shelves can be adjusted to various angles for use as display racks.

**Versatile Installation Options.** Use freestanding or built-in (with trim kit). The door is reversible for either left- or right-swing operation — making placement even easier.

**Energy-Saving Vacation Mode**

**Signature Soft-Arc Door and Handle Design**

**Platinum Star™ Warranty**

works well with ...

**Electrolux refrigerator drawers offer the ultimate versatility and cool storage. They provide additional refrigeration in your kitchen, or can be integrated into any room of your house so you always have chilled beverages and snacks on hand.**



Drop into our Virtual Kitchen. Go to [electroluxappliances.com](http://electroluxappliances.com).

# Electrolux European Style Wine Tower Specifications

<b>EUROPEAN STYLE WINE TOWER</b>	<b>EI24WC75H</b>
Capacity	6.0 Cu. Ft.
Maximum Storage	160 Bottles
Installation Type	Built-In / Freestanding

## **Features**

IQ-Touch™ Electronic Controls	Yes
Fully Integrated Control Panel	Yes
Electronic Control Lock	Yes
Signature Blue LED Display	Yes
Frost-Free Performance	Yes
Quiet Operation	Yes
Low-Vibration Operation	Yes
Perfect Temp™ Controls	Yes
Display Temp Mode (°C or °F)	Yes
Door-Open Acoustic Alarm	
High-Temperature Acoustic Alarm	
Power-Failure Acoustic Alarm	
LED Illumination System	Yes
Power-On Light	
Vacation Mode	
Wooden Shelves with Tilt Option	6
Wooden Storage Drawer	Yes
Lower-Level Display Rack	

## **Additional Features**

Signature Soft-Arc Door and Handle Design	Yes
UV-Protective, Tinted Glass Window	Yes
Luxury-Close™ Door	
Adjustable Leveling Legs	Yes

## **Color / UPC (0-12505)**

Stainless Steel (S)	67367-2
---------------------	---------

## **Specifications**

Overall Exterior Dimensions —	
Height	
Width	23-1/2"
Temperature Range	45°F — 65°F
Power Supply / Water Inlet Location	Right Bottom Rear
Voltage Rating	120V / 60Hz / 15A
Minimum Circuit Required (Amps)	15

*\*For use on adequately wired 120V, dedicated circuit having two-wire service with a separate ground wire. Appliance must be grounded for safe operation.*

*NOTE: Always consult local and/or national electric codes. Refer to Product Installation Guide for detailed installation instructions on the Web at [electroluxappliances.com](http://electroluxappliances.com).*

Specifications subject to change.

## Platinum Star™ Warranty & Service

### Limited One-Year Warranty

Every Electrolux major appliance is guaranteed to be free of material defects or component malfunctions. Electrolux Major Appliances will repair, without charge, any problem that occurs during the first year after the original date of purchase.\*

Limited Second – Fifth Year Warranties apply to certain appliances — please drop into our Virtual Kitchen. Go to [electroluxappliances.com](http://electroluxappliances.com) for detailed information.

### Parts and Service

Wherever you live or move in the U.S.A., our national network of authorized independent service companies provides prompt, professional repair service. To maintain warranties, always ask for Electrolux Major Appliances Genuine Renewal Parts.

These warranties are provided by Electrolux Major Appliances North America, a division of Electrolux Home Products Inc., in the U.S.A., and in Canada by Electrolux Canada Corp. For complete warranty details, please refer to your Owner's Manual.

High standards of quality at Electrolux Major Appliances mean we are constantly working to improve our products. We reserve the right to change specifications or discontinue models without notice.

\*Some restrictions may apply for Alaska.





# Electrolux



## *The Electrolux Group*

USA • 250 Bobby Jones Expressway • Augusta, GA 30907  
1-877-4electrolux (1-877-435-3287) • [electroluxappliances.com](http://electroluxappliances.com)

CANADA • 5855 Terry Fox Way • Mississauga, ON L5V 3E4  
1-800-668-4606 • [electroluxappliances.ca](http://electroluxappliances.ca)

High standards of quality at Electrolux Major Appliances mean we are constantly working to improve our products. We reserve the right to change specifications or discontinue models without notice.